


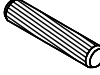

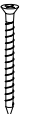
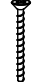

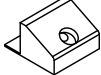
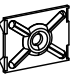


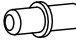
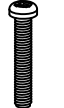





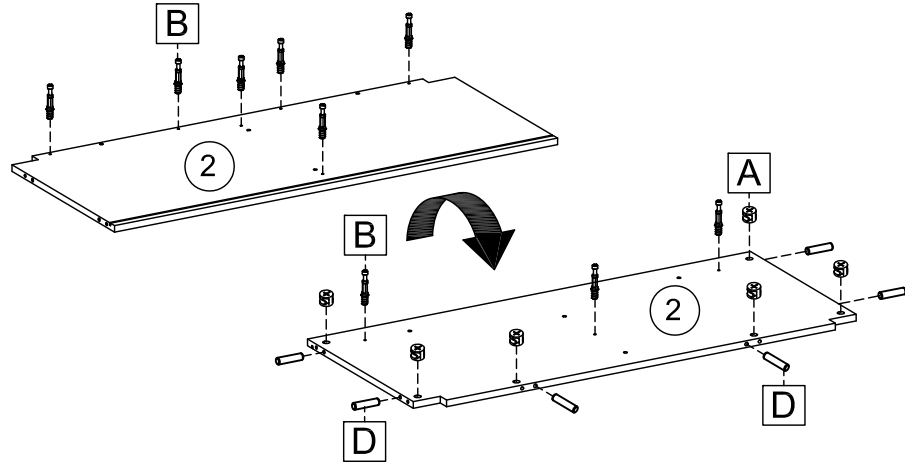
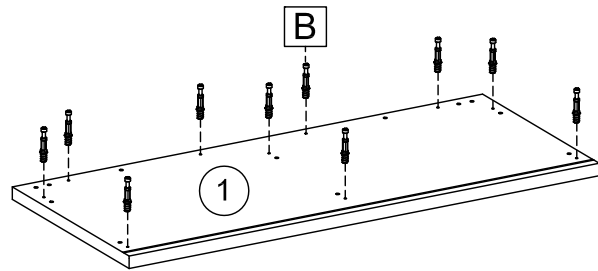
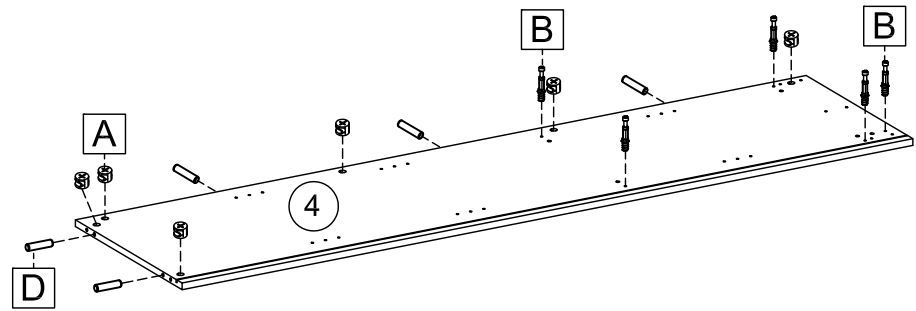
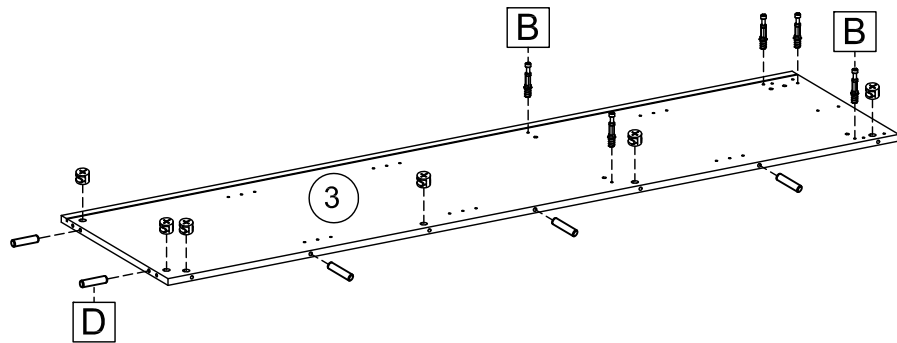


| | | | |
|---|--|---|--|
| A  44x | B  44x | C  44x | D  43x |
| E  41x | F  1x | G  12x | H  24x |
| I  18x | J  6x | K  10x | L  1x |
| M  24x | N  4x | O  1x | P  1x |
| Q  4x | R  8x | S  4x | |

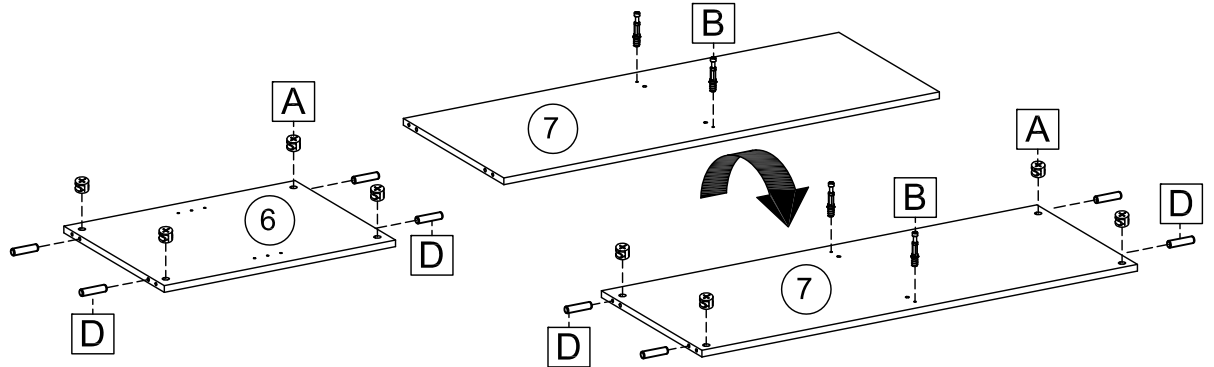
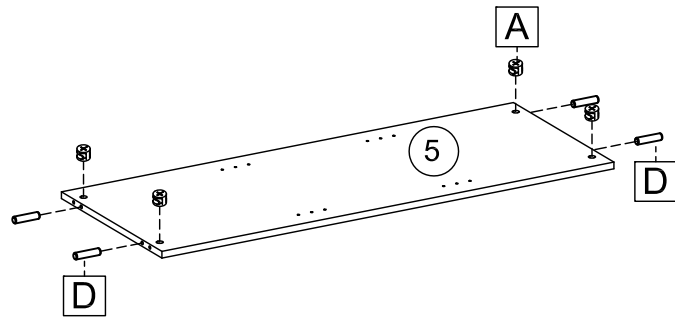
1

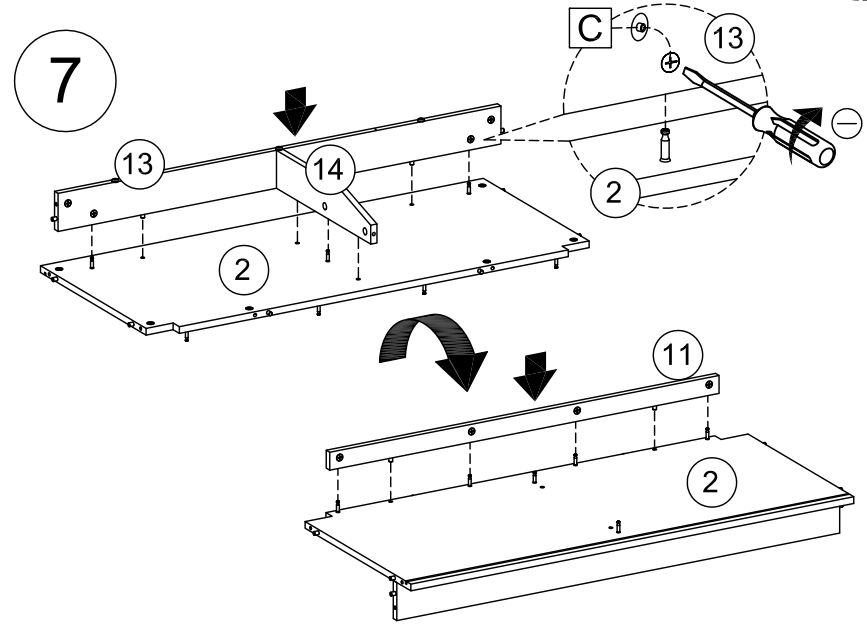
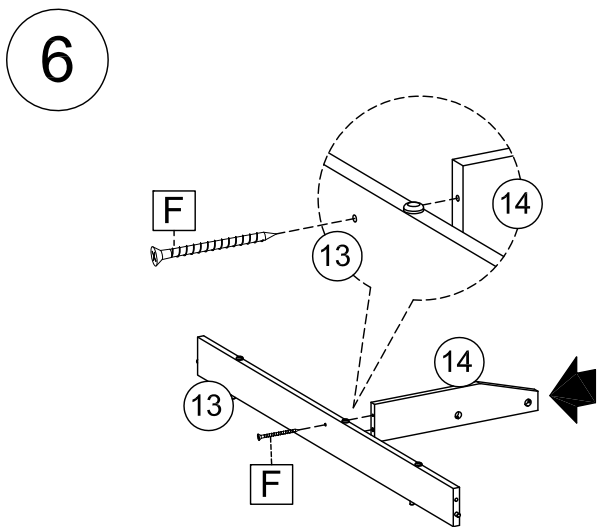
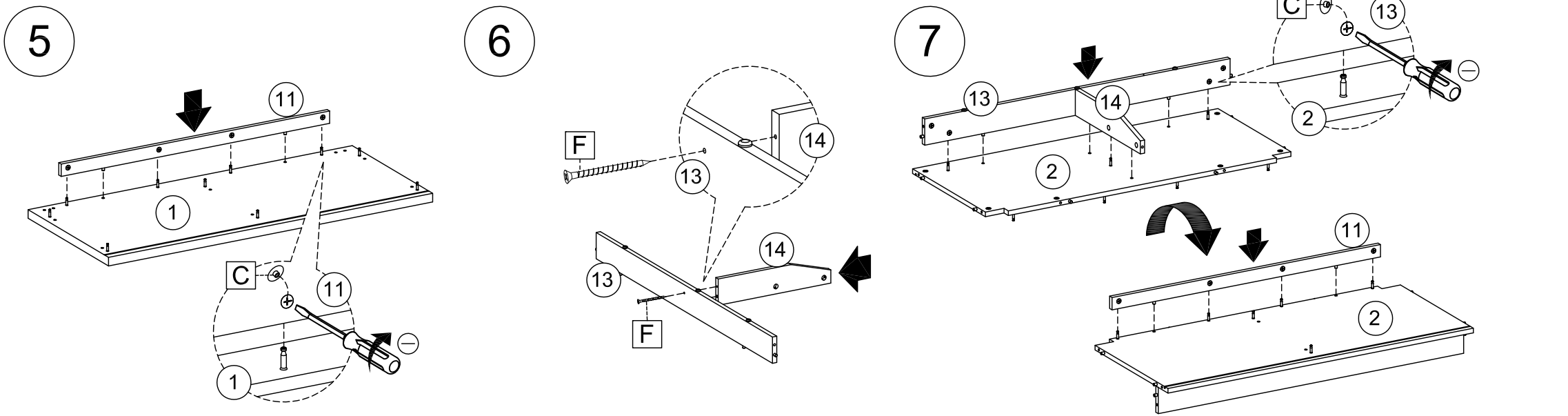
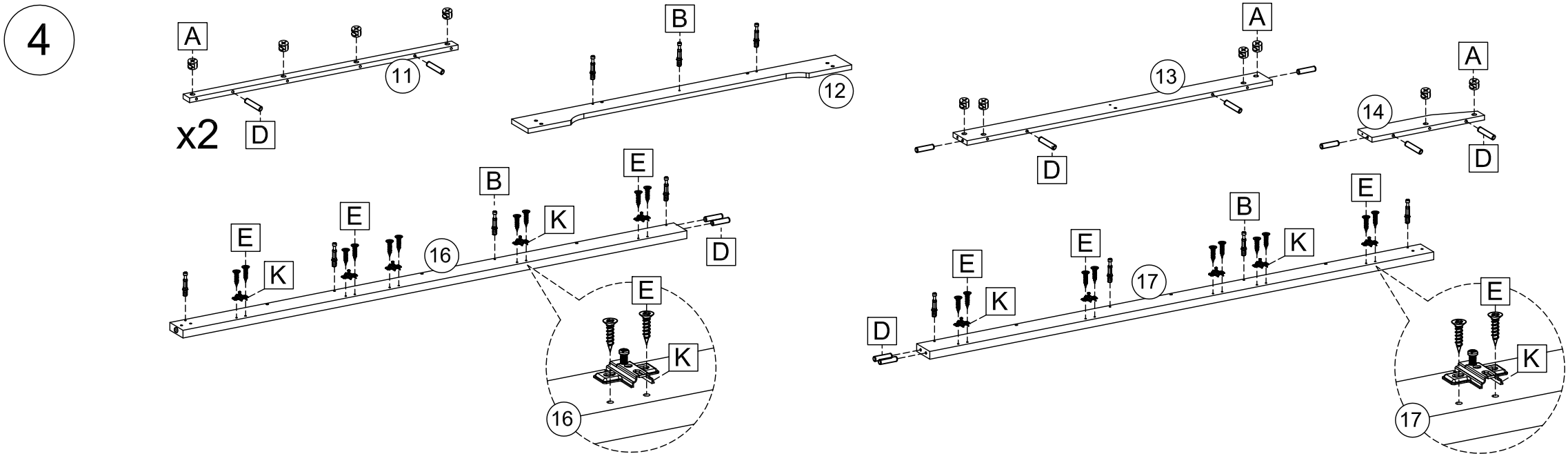


2

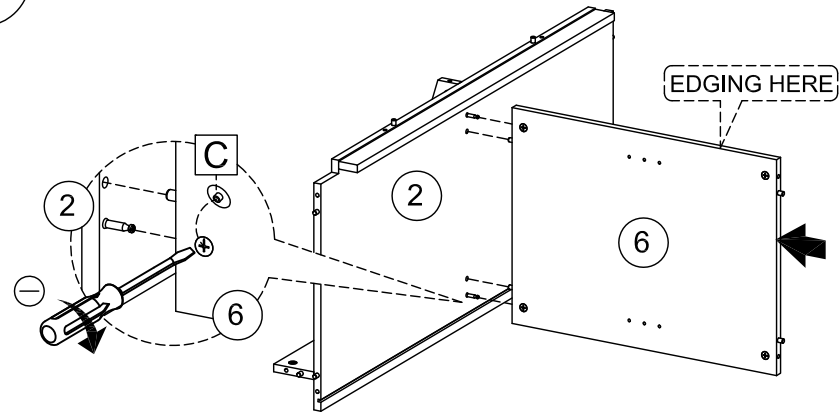


3

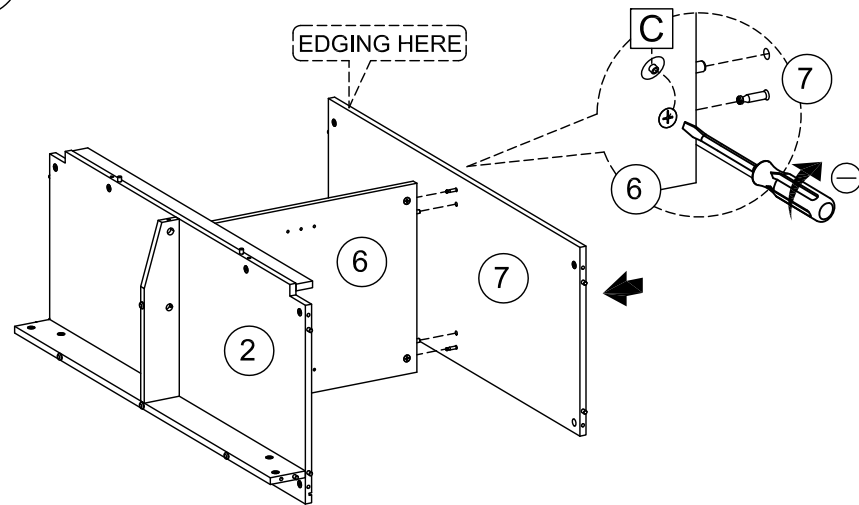




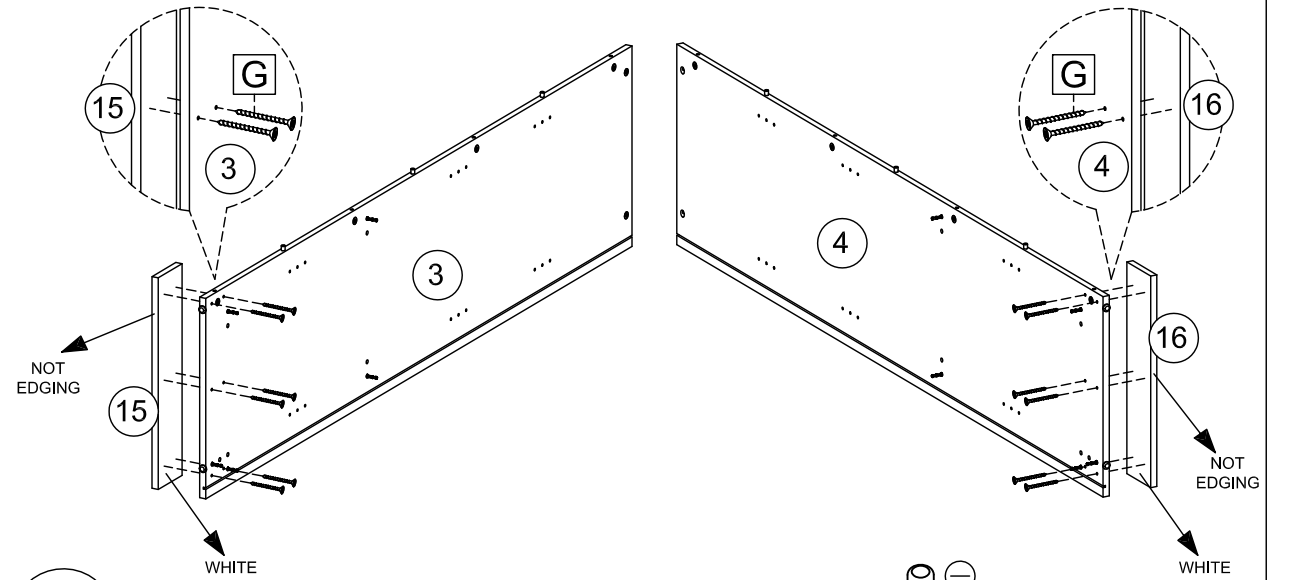
8



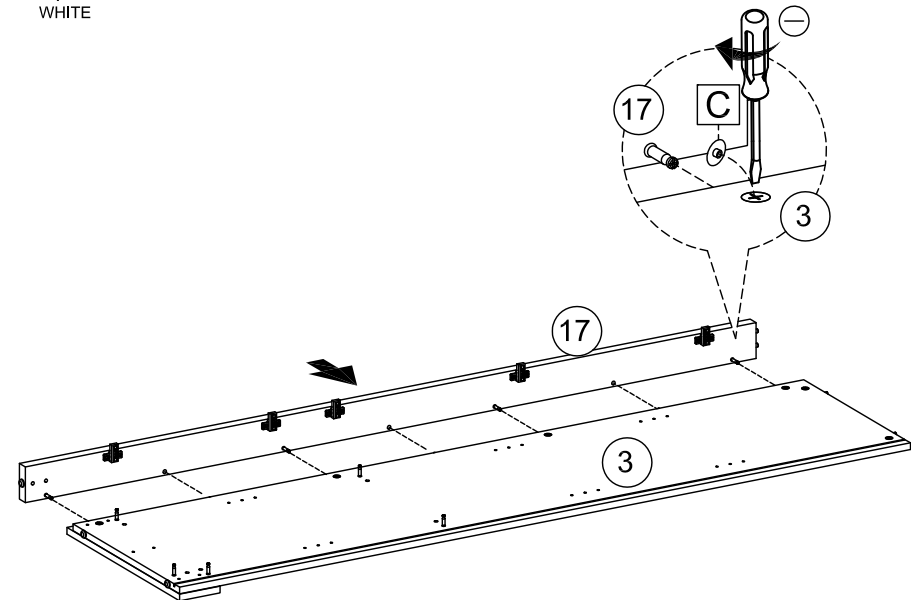
9

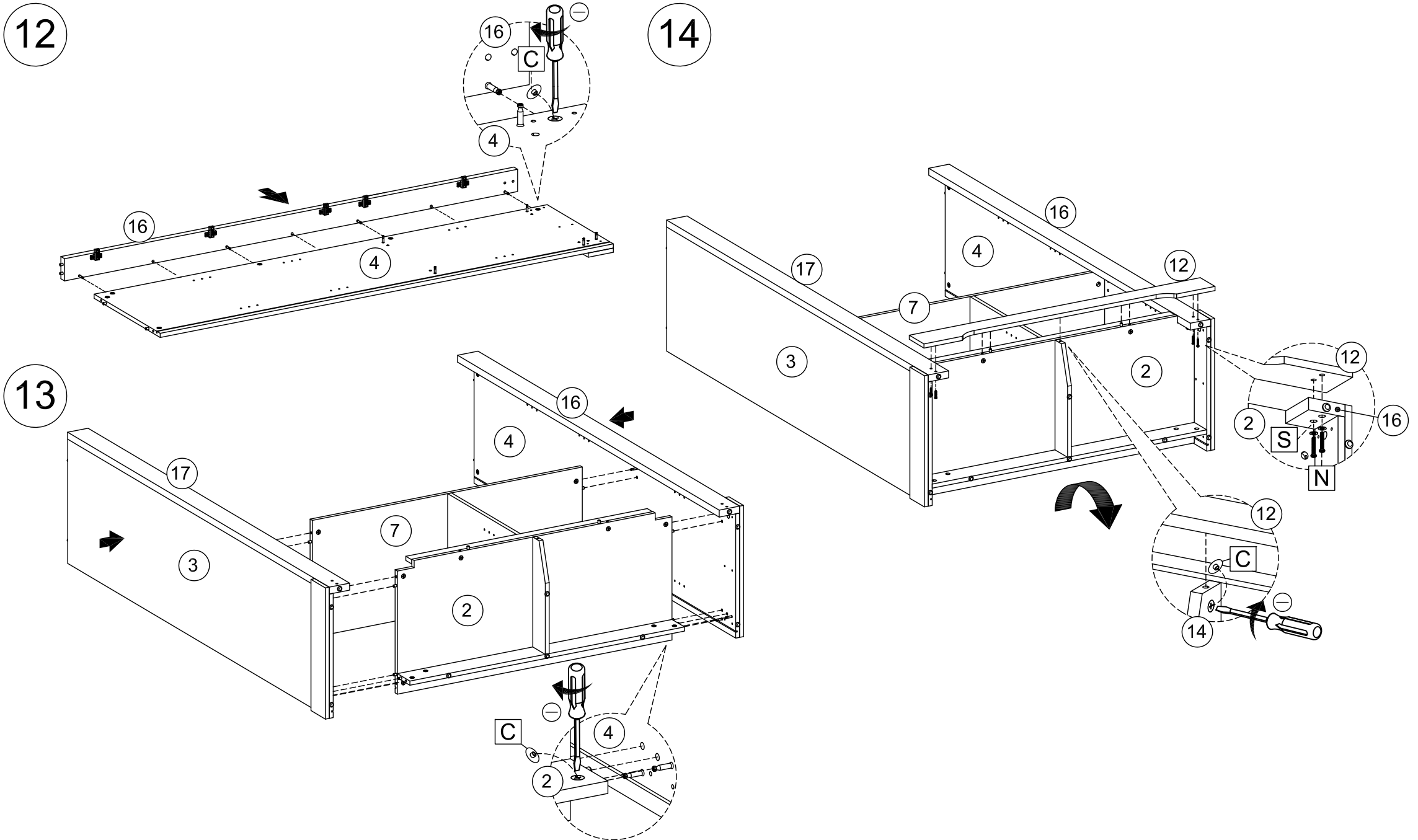


10

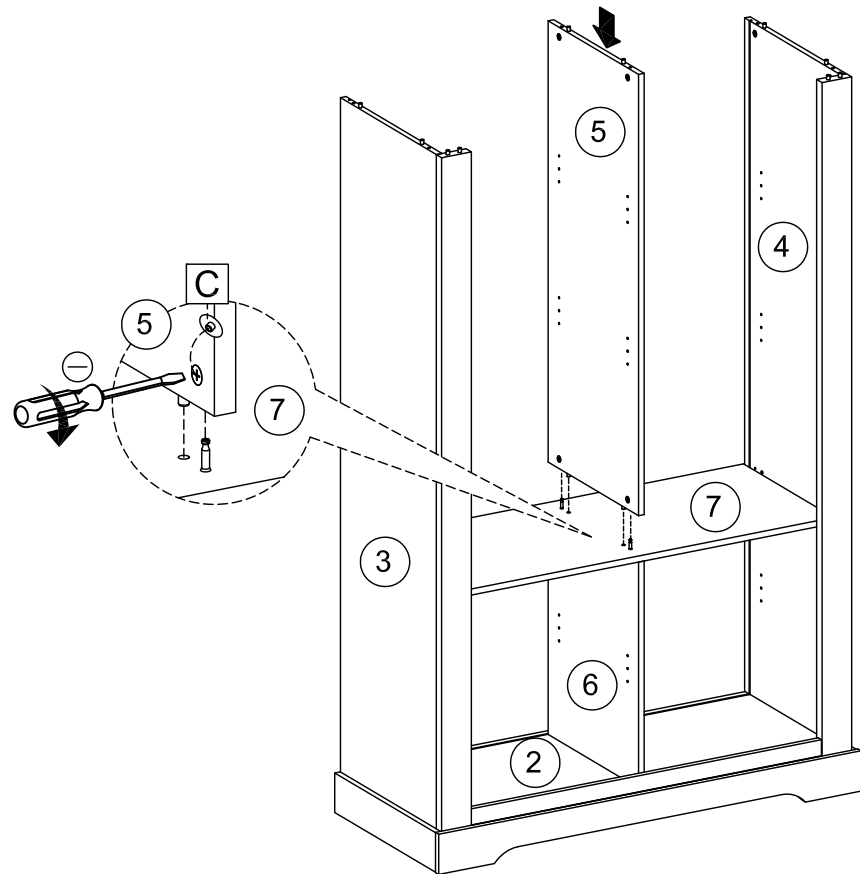


11

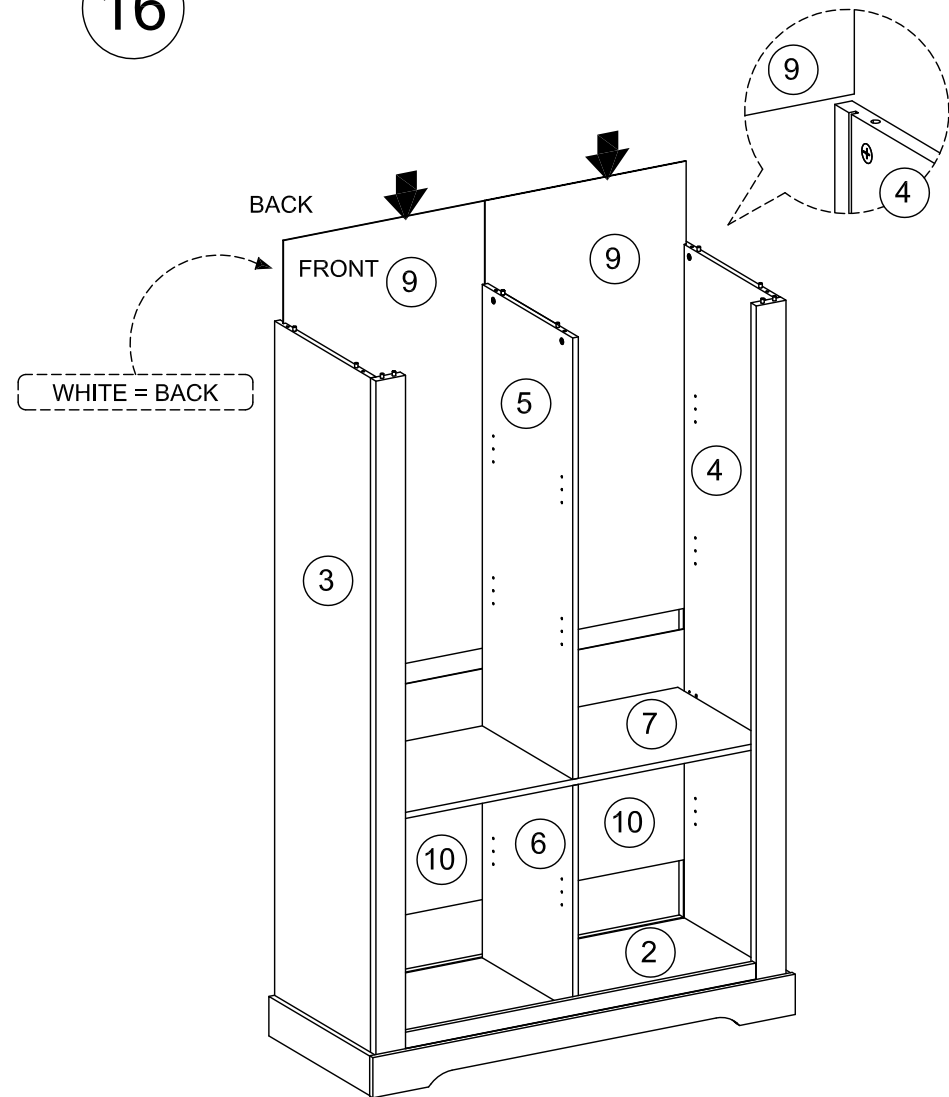




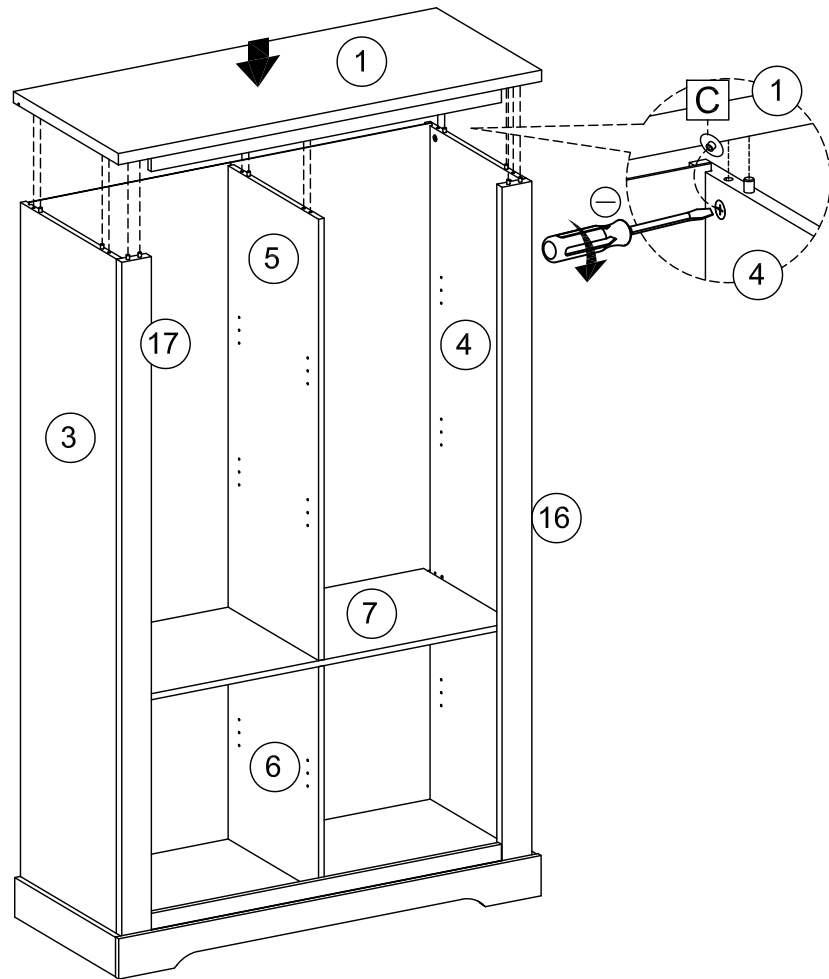
15



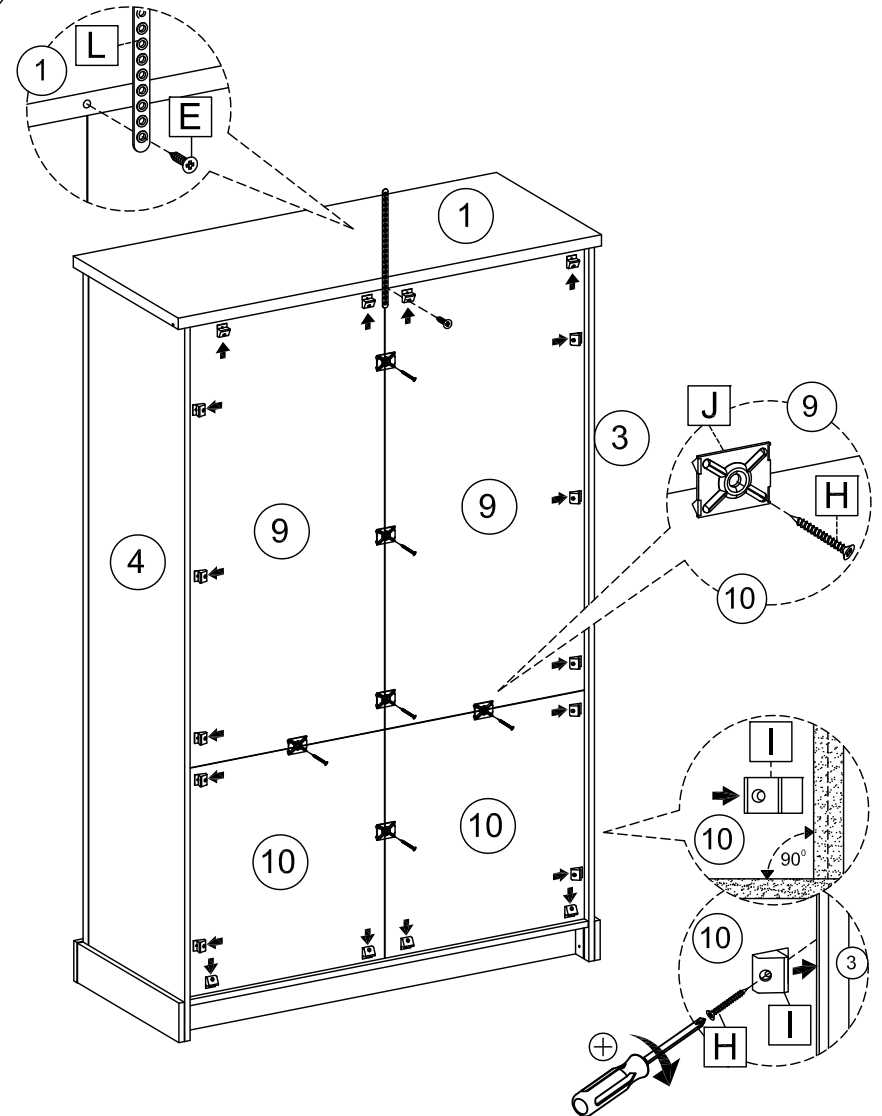
16



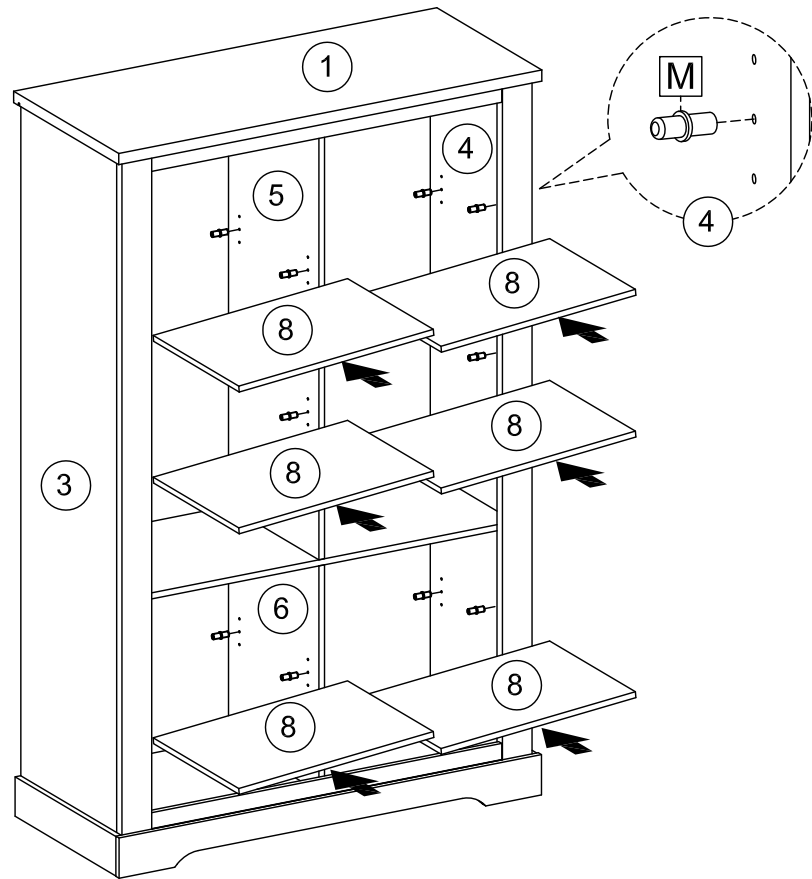
17



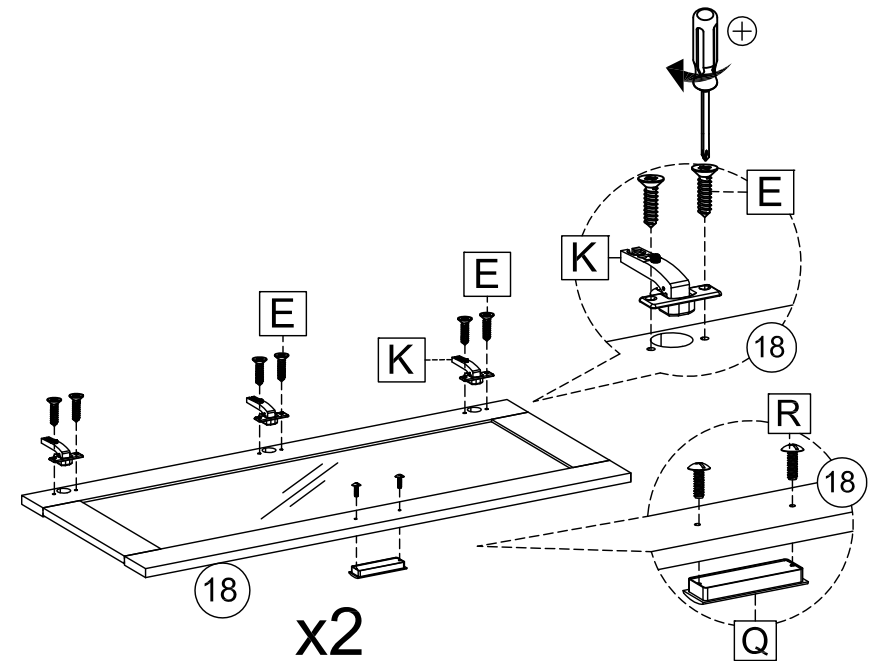
18



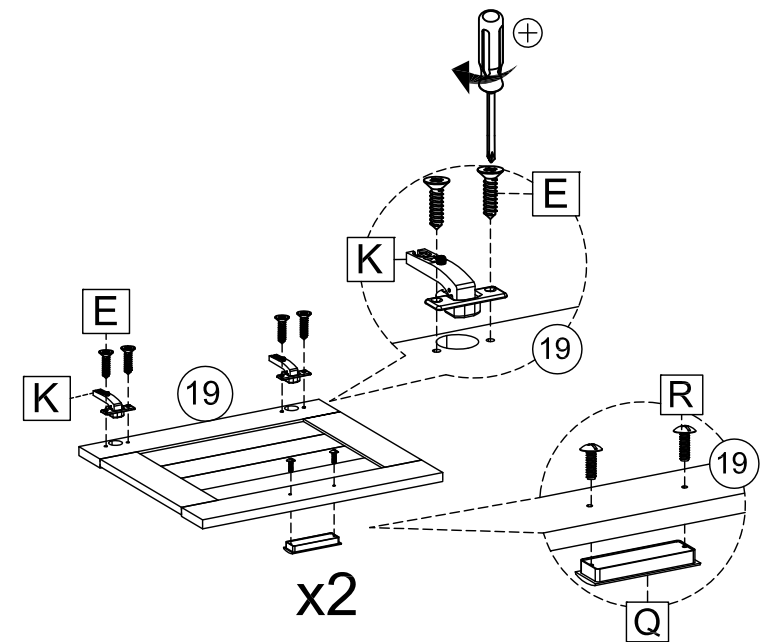
19



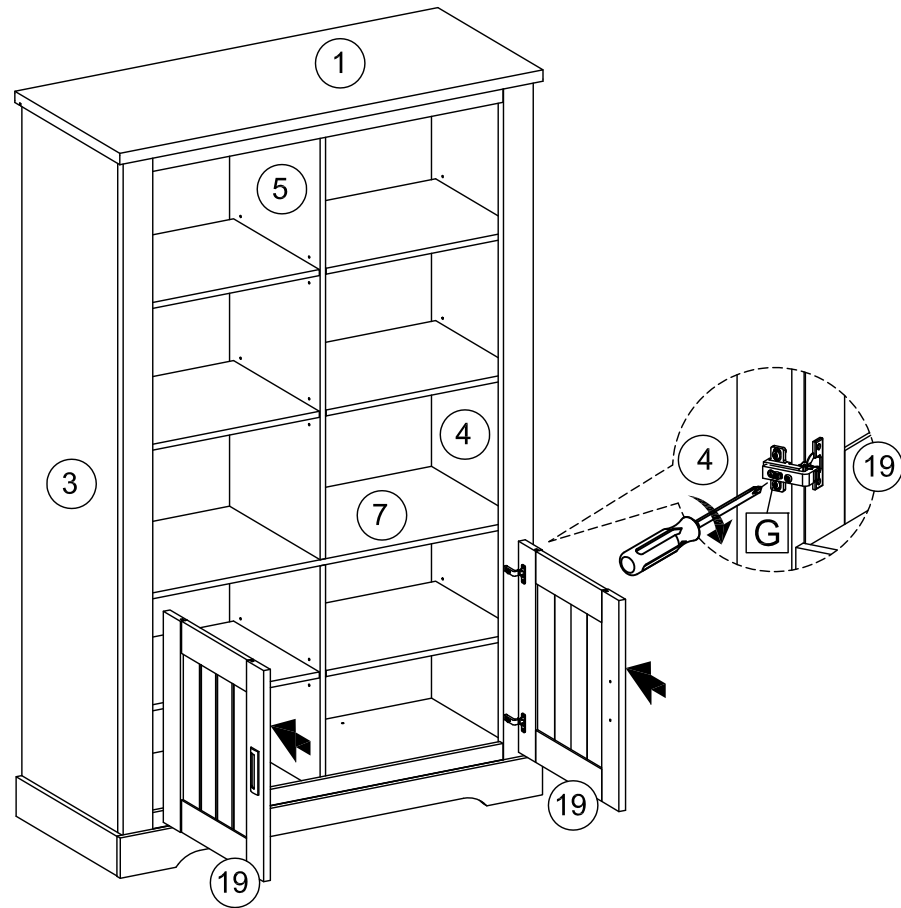
20



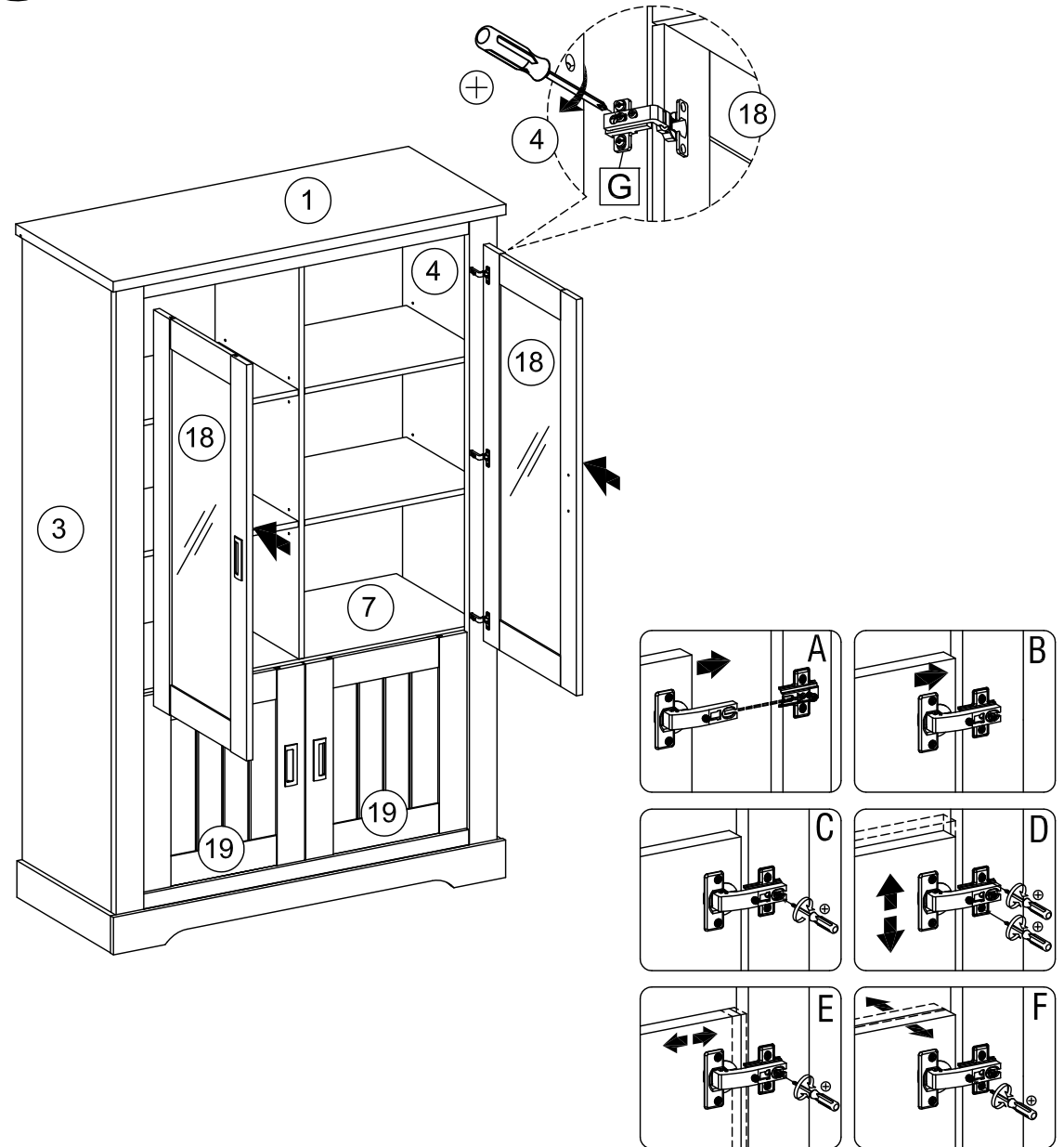
21



22



23



24

