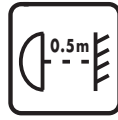
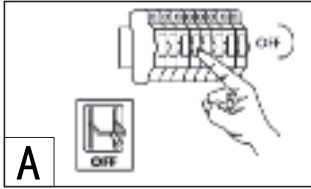


# INSTRUCTION MANUAL

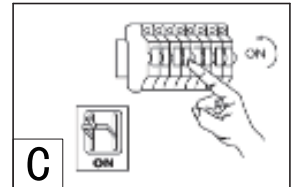
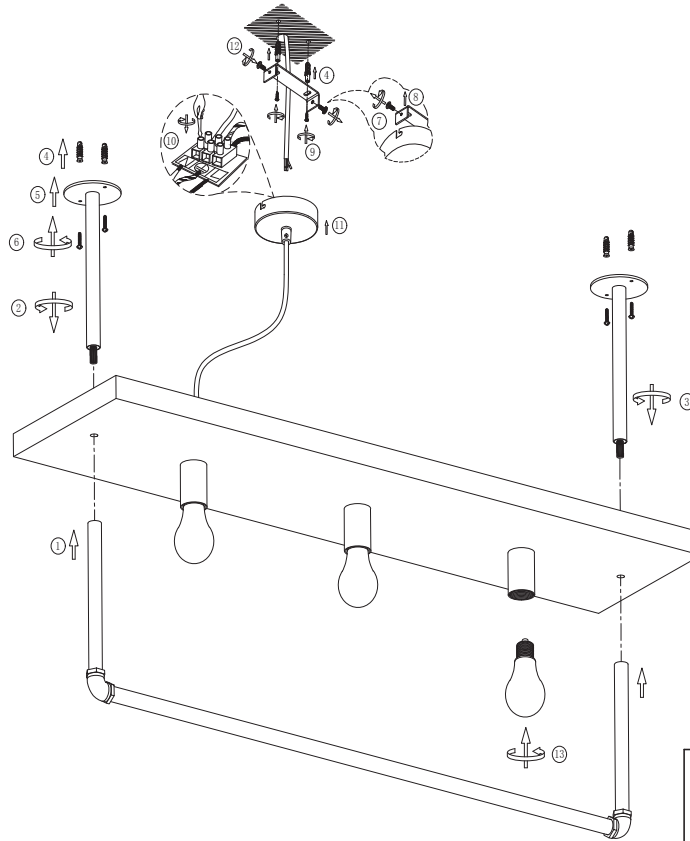


Shelf HL Black 3  
103039



A

B



C

Overall Sizes:

