



## COM1007P

EN	Original instructions	06	DA	Oversættelse af den originale brugsanvisning	50
DE	Übersetzung der Originalbetriebsanleitung	11	CS	Překlad původního návodu k používání	55
NL	Vertaling van de oorspronkelijke gebruiksaanwijzing	17	PL	Tłumaczenie instrukcji oryginalnej	61
FR	Traduction de la notice originale	22	LT	Originalios instrukcijos vertimas	66
ES	Traducción del manual original	28	LV	Instrukciju tulkojums no oriģinālvalodas	71
PT	Tradução do manual original	34	TR	Orijinal talimatların çevirisi	76
IT	Traduzione delle istruzioni originali	39	EL	Μετάφραση του πρωτοτύπου των οδηγιών χρήσης	81
FI	Alkuperäisten ohjeiden käännös	45	AR	تأليف أصل إمامي لعنت الله محمد رت	87

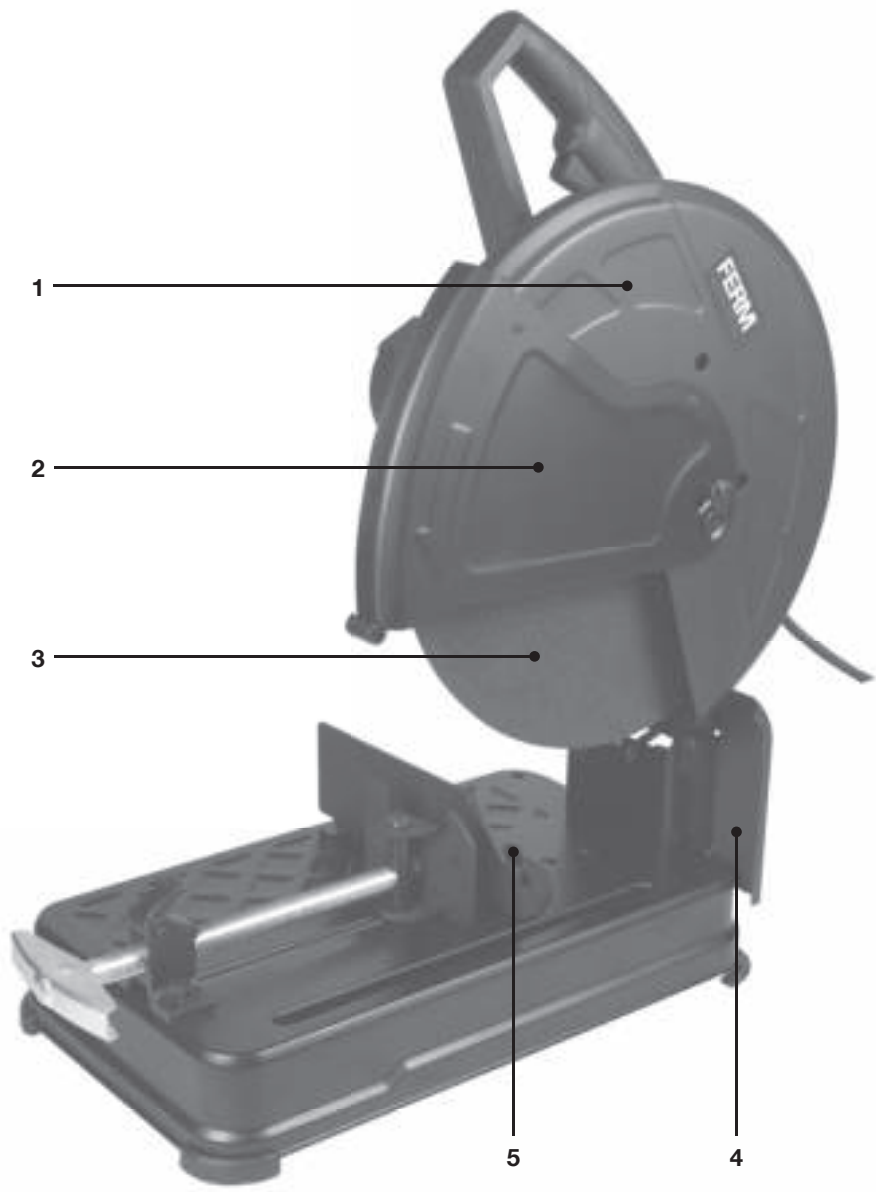
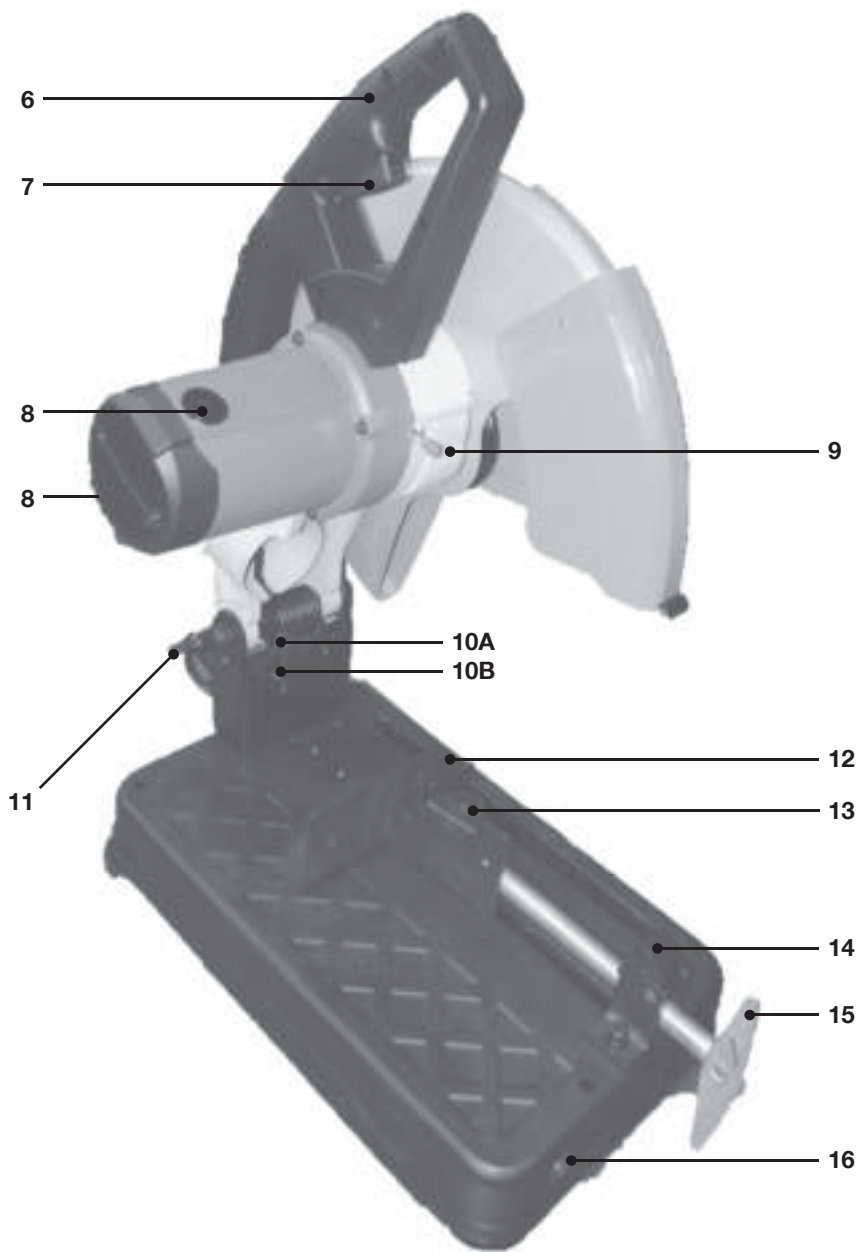
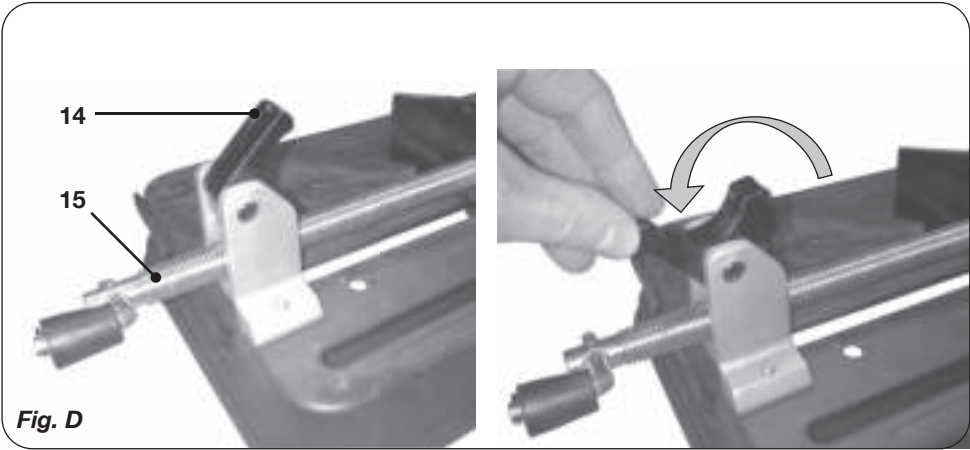
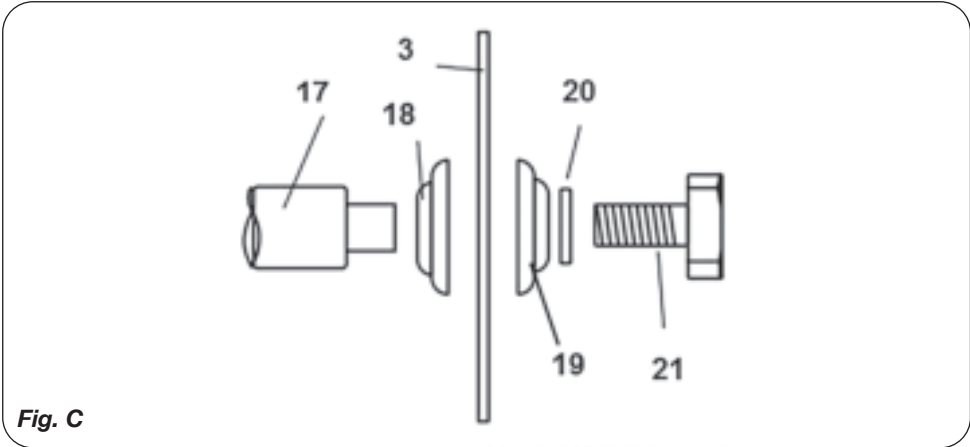
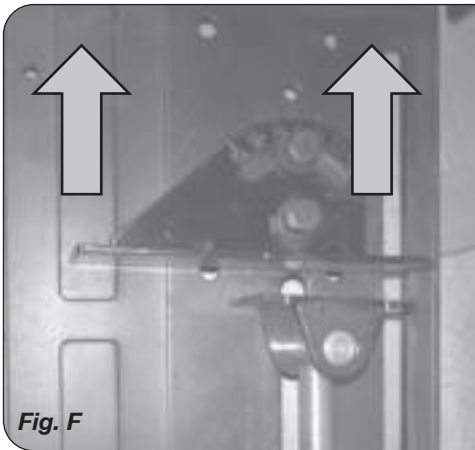
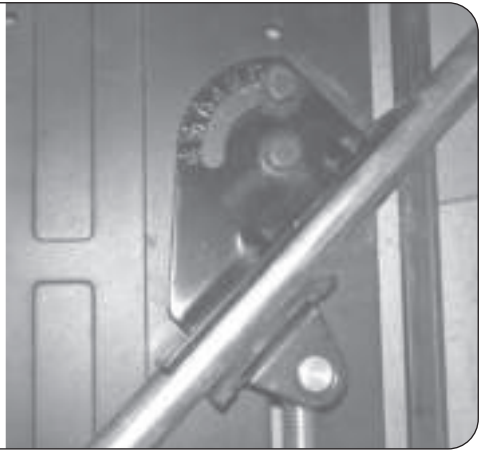
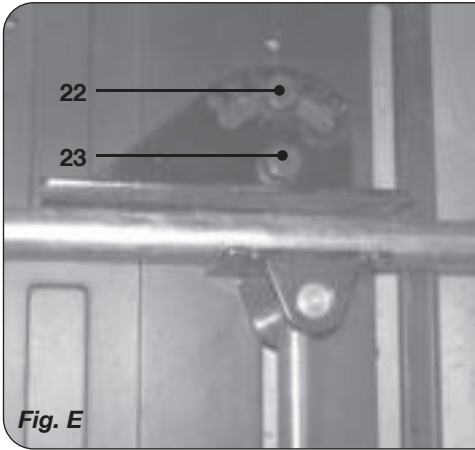


Fig. A



**Fig. B**





## Chop saw 2300W - 355mm COM1007P

Thank you for buying this FERM product. By doing so you now have an excellent product, delivered by one of Europe's leading suppliers. All products delivered to you by Ferm are manufactured according to the highest standards of performance and safety. As part of our philosophy we also provide an excellent customer service, backed by our comprehensive warranty. We hope you will enjoy using this product for many years to come.



*Wear hearing protection.*



*Wear safety gloves.*



*Risk of flying objects. Keep bystanders away from the work area.*



*The product is in accordance with the applicable safety standards in the European directives.*

### 1. SAFETY INSTRUCTIONS



**Read the enclosed safety warnings, the additional safety warnings and the instructions.** Failure to follow the safety warnings and the instructions may result in electric shock, fire and/or serious injury. **Save the safety warnings and the instructions for future reference.**

The following symbols are used in the user manual or on the product:



*Read the user manual.*



*Denotes risk of personal injury, loss of life or damage to the tool in case of non-observance of the instructions in this manual.*



*Risk of electric shock*



*Immediately remove the mains plug from the mains if the mains cable becomes damaged and during cleaning and maintenance.*



*Indoor use only*



*Class II machine - Double insulation - You don't need an earthed plug.*



*Always wear eye protection!*

### Safety instructions for Chop saws - Cutting instructions

1. Only ever use the cutting edge (never the side) of the disc for cutting. Avoid putting sideways pressure on the disc, and in particular, making it jam.
2. Keep hands and body away from the disc. Whilst cutting with the machine, do not wear loose clothes which could get caught in it.
3. Treat the disc cutting saw with care, never drop it, always store it in a safe, dry place. Avoid excessive temperatures and humidity.
4. Ensure that all disc flanges and other fitted parts are in good condition and assembled according to instructions. Damaged or missing parts can lead to disc damage. Always use the flanges delivered with the machine.
5. Never work with damaged discs, as these can be dangerous. When changing the disc, first switch off the machine. Rotate the disc by hand and inspect it for unevenness, twists or shearing. If you find any of these, get the disc removed and replace it with a new one. Also replace the disc if it falls to the floor. It may have become fragile even if you cannot see any ostensible damage.
6. Before you begin cutting, do a test run, i.e. take a step back, switch on the motor and ensure that the disc is functioning correctly. After changing the disc, let the saw run for three minutes; thereafter, before doing any routine work, let it test-run for one minute.
7. Whilst the machine is running, never try to remove a work piece or to clamp a work piece in. Always wait until the disk stops turning

completely before removing any work piece or change the settings.

8. Before installing the disc, always inspect the resin and rubber treated disc for shearing.
9. Always cross-check the maximum operating speed of the disc cutting saw with the maximum permitted speed of the motor. Never exceed the maximum permitted operating speed indicated on the disc.
10. Never try to mount a disc onto the machine by force, or to change the size of the axles. Never use discs which do not fit. Only use discs which fit the machine.
11. Do not attempt to attach saw blades to the machine, as it is not designed to cut wood.
12. Do not start cutting until the motor has reached full speed.
13. If, while operating the machine, the disc no longer turns or the motor sounds overloaded, switch off the machine immediately.
14. Keep easily flammable or fragile objects away from the machine. The machine operator must avoid letting his or her hands, face or feet come into contact with the sparks caused when cutting.
15. Position your machine firmly on a flat, even surface.
16. Only operate the machine at the voltage stated on the nameplate.
17. Never touch a sawn-off workpiece, always let it cool down first.
18. Never attempt to cut workpieces which exceed the permitted size.
19. During cutting, never position yourself in the direction of cutting. Always remain to one side.
20. Always leave safety devices installed.
21. Always ensure that you cut slowly and carefully. Avoid applying the disc to the workpiece with a jerky motion.
22. Never push the workpiece towards the disc while holding it in your hands. Always use the clamp to fix the workpiece.
23. Keep hands away from the cutting disk. Never cut work pieces where manual support is needed closer than 15cm from the rotating disk.
24. Make sure the work piece is properly supported
25. Never use cutting fluids. T EN 62841 these fluids could ignite or cause electrical shock
26. Do not cut cast-iron materials
27. Do not cut plastics, wood or synthetic materials
28. Do not cut magnesium

## Electrical safety

When using electric machines always observe the safety regulations applicable in your country to reduce the risk of fire, electric shock and personal injury. Read the following safety instructions and also the enclosed safety instructions. Keep these instructions in a safe place!



*Always check that the power supply corresponds to the voltage on the rating plate.*



*Class II machine – Double insulation – You don't need any earthed plug.*

## Replacing cables or plugs

If the mains cable becomes damaged, it must be replaced with a special mains cable available from the manufacturer or the manufacturer's customer service. Dispose of old cables or plugs immediately after replacing them with new ones. It is dangerous to connect the plug of a loose cable to a socket.

## Using extension cables

Only use an approved extension cable suitable for the power input of the machine. The minimum conductor size is 1.5 mm<sup>2</sup>. When using a cable reel always unwind the reel completely.

## 2. MACHINE INFORMATION

### Intended use

The chop saw has been design for cutting steel materials in various shapes.

### Technical specifications

Mains voltage	220V-240V~
Mains frequency	50/60Hz
Power input	2.300 W
Rated speed	4300/min
Saw blade dimensions*	Ø 355mm x Ø 25.4mm
Sound pressure L <sub>PA</sub>	92 dB(A) K=3
Sound capacity L <sub>WA</sub>	105 dB(A) K=3
Vibration a <sub>H, AG</sub>	2.90+1.5 m/s <sup>2</sup>
Weight	15.8kg

**Max cutting capacity at 90°**

- Rectangular	115mm x 125mm
- L shape	135mm x 135mm
- Circular	Ø 125mm

**Max cutting capacity at 45°**

- Rectangular	110mm x 102mm
- L shape	110mm x 110mm
- Circular	Ø 110mm

\* For some countries cutting disk is not included.

**Vibration level**

The vibration emission level stated in this instruction manual has been measured in accordance with a standardised test given in EN 62841 it may be used to compare one tool with another and as a preliminary assessment of exposure to vibration when using the tool for the applications mentioned

- using the tool for different applications, or with different or poorly maintained accessories, may significantly increase the exposure level
- the times when the tool is switched off or when it is running but not actually doing the job, may significantly reduce the exposure level

Protect yourself against the effects of vibration by maintaining the tool and its accessories, keeping your hands warm, and organizing your work patterns.

**Description**

The numbers in the text refer to the diagrams on pages 2-5.

**Fig. A.**

1. Upper safety guard
2. Movable safety guard
3. Cutting disk (\*not included for all models)
4. Spark deflector
5. Workpiece clamp

**Fig B.**

6. Handle grip
- 7a. On/Off switch
- 7b. Lock-off button
8. Carbon brush cover
9. Spindle lock button
- 10A. Depth stop bolt
- 10B. Depth stop nut
11. Transport lock pin
12. Workpiece rear clamp
13. Workpiece front clamp

14. Stopper lever
15. Workpiece spindle
16. Disk exchange wrench

**Fig C.**

3. Cutting disk
17. Machine spindle
18. Big inner washer
19. Big outer washer
20. Small washer
21. Disk bolt

**3. OPERATING**

*Before exchanging blades or adjusting the machine, first remove the power plug from the wall socket.*

**Removing the transport lock****Fig. B**

The machine has a transport lock pin (11) which keeps its position low and makes it easy to transport the device and store it. The lock button blocks the up/down movement of the saw. And must be de-activated before using the saw.

- Remove the transport lock by pushing the machine down a little. While pushing down, the transport lock pin (11) can be pulled out with the other hand.
- After the pin (11) has been pulled out, the machine is able to move up and down freely.

**Activating the transport lock****Fig.B**

- Push the machine down to its lowest position.
- Then push the transport lock pin (11) until it slides in place.

**Adding / removing a cutting disk****Fig. A, B, C.**

*Always remove the mains plug before changing disks*



*When changing disks always check related safety instructions*

**Removing a cutting disk**

- Take the disk wrench (16) from the machine base
- Removing the disk is easier when the movable safety guard (2) is moved up.



- Press the spindle lock button (9) in order to block the movement of the machine spindle.
- Keep pressing the spindle lock button (9). Place the wrench (16) on the disk bolt and turn it slightly until the button (9) is pushed in to the max and the spindle rotation is blocked.
- Remove the bolt (21), small washer (20), the big outer washer(19)
- Then remove the cutting disk (3)

### Mounting a cutting disk

- In case this has not been done yet, remove the bolt (21) by turning it counterclockwise, then remove small washer (20) and the big outer washer(19).
- Place the cutting disk (3) on the machine spindle.
- First add the big outer washer (19), then the small washer (20) and then the fixing bolt (21) according to fig C. and tighten it by hand until the spindle starts rotating.
- Press the spindle lock button (9) in order to block the movement of the machine spindle.
- Keep pressing the spindle lock button (9). Place the wrench (16) on the disk bolt and turn it slightly in clockwise direction.
- When the spindle lock blocks the rotation, tighten the disk bolt by using the wrench (16).
- Loosen the spindle lock button and ensure the spindle lock button is not blocking the spindle anymore.

*Then check if the wheel is assembled correctly:*

- Turn the disk (3) by hand a few rounds to check if it is turning freely and if it is aligned well.
- Turn the machine on and let the machine run for at least 3 minutes.

### The On/Off switch

#### Fig. B

The On/Off switch (7) is activated by manually pulling the switch trigger. It is cut of by releasing the trigger again.

### The workpiece clamp (5)

#### Fig. A & B & D

- Place the workpiece material between front clamp (13) and rear clamp (12).
- Raise the stopper(14) like shown in Fig. D. and rotate the screw handle (15) forward until the front clamp (13) touches the work piece.

- Then move the stopper (14) down (to lock the spindle) and securely fix the workpiece by turning the screw handle (15).

### Cutting at angles

#### Fig. E

The machine permits cutting at angles from 0° to 45° by adjusting the rear clamp (12).

- Loosen the 2 M10 hexagon socket head bolts (22 & 23) which hold the rear clamp (12) until the vice can move.
- Then set the rear clamp (12). to the correct angle and tighten both bolts (22 & 23) again.

### Moving the rear vice (to cut bigger work pieces)

#### Fig. F

The vice permits a maximum workpiece size of 160mm when shipped from the factory. The vice can be adjusted in to the rear to permit workpiece size of 195 mm like shown in the right picture (fig. F).

- Loosen the 2 M10 hexagon bolts (22 & 23) on the rear clamp (12) completely.
- Move the clamp (12) backwards and fix the bolts (22 & 23) to the rear connection holes again.

### Adjusting the depth stop:

#### Fig.B

The machine is equipped with a depth stop bolt, with this bolt the maximum cutting depth can be adjusted.

- If the depth cutting depth needs to be adjusted, loosen the lower nut (10B), then adjust the depth setting by turning the upper bolt (10A) to the desired positions.
- Then fix the lower nut (10B) again.

### Cutting procedure:

In order to cut material always follow following procedure:

- Make sure the workpiece is clamped and supported well before starting the machine.
- Start the machine in upper position let it run for a while until it reaches max. speed.
- Ensure the blade is turning freely without vibration.
- Gently move down the machine until it touches the material.
- Keep pushing the handle with little force, make sure the blade speed is not dropping.

- Release the on/off switch after cutting and move the machine up gently.
- Only remove the workpiece when the cutting disk has stopped running completely.



*Don't apply excessive force on the handle when cutting, the blade and machine will wear out faster and it does not result in faster cutting.*

#### **Inspecting and replacing the carbon brushes**

The motor has 2 carbon brushes which will wear out during use. It's important to check the status of the carbon brushes, a worn-out carbon brush might result in bad performance and motor damage.

##### *Removing carbon brushes*

*Fig B.*

- Ensure the mains plug is removed from the wall socket.
- Remove the carbon brush cover (8).
- Remove the carbon brushes by gently pulling the spring.
- Check wear on the brush block, when less than 6mm is left the carbon brush is worn out and needs to be replaced immediately.
- Repeat on the other side.

##### *Inserting carbon brushes again*

*Fig B.*

- Ensure the mains plug is removed from the wall socket.
- Insert the carbon brushes and push the spring back in place.
- Add the carbon brush cover (8) while keeping the spring pushed, and turn the cover clockwise.
- After both carbon brushes are re-installed, test if machine is running smoothly without sparks.



*Always replace both carbon brushes.*

## **4. MAINTENANCE**



*Before cleaning and maintenance, always switch off the machine and remove the mains plug from the mains.*

Clean the machine casings regularly with a soft cloth, preferably after each use. Make sure that the ventilation openings are free of dust and dirt. Remove very persistent dirt using a soft cloth moistened with soapsuds. Do not use any solvents such as gasoline, alcohol, ammonia, etc. Chemicals such as these will damage the synthetic components.

## **WARRANTY**

The warranty conditions can be found on the separately enclosed warranty card.

## **ENVIRONMENT**



*Faulty and/or discarded electrical or electronic apparatus have to be collected at the appropriate recycling locations.*

#### **Only for EC countries**

Do not dispose of power tools into domestic waste. According to the European Guideline 2012/19/EC for Waste Electrical and Electronic Equipment and its implementation into national right, power tools that are no longer usable must be collected separately and disposed of in an environmentally friendly way.

**The product and the user manual are subject to change. Specifications can be changed without further notice.**

## Kappsäge 2300W - 355mm COM1007P

Vielen Dank für den Erwerb dieses Ferm Produkts. Sie haben sich für ein ausgezeichnetes Produkt von einem der führenden Hersteller Europas entschieden. Alle von Ferm gelieferten Produkte werden gemäß den höchsten Standards für Leistungsverhalten und Sicherheit gefertigt. Zu unserer Firmenphilosophie gehört es außerdem, Ihnen einen ausgezeichneten Kundendienst anzubieten, gedeckt von unserer umfassenden Garantie. Wir wünschen Ihnen viele Jahre Freude an diesem Produkt.

### 1. SICHERHEITSANWEISUNGEN



**Lesen Sie die beiliegenden Sicherheitsanweisungen, die zusätzlichen Sicherheitsanweisungen sowie diese Bedienungsanleitung sorgfältig durch.**

Bei Nichtbeachten der Sicherheitsanweisungen und der Bedienungsanleitung kann es zu einem Stromschlag, einem Brand und/oder schweren Verletzungen kommen.

**Bewahren Sie die Sicherheitsanweisungen und die Bedienungsanleitung zur künftigen Bezugnahme sicher auf.**

Folgende Symbole werden im Benutzerhandbuch oder auf dem Produkt verwendet:



*Benutzerhandbuch/Bedienungsanleitung lesen.*



*Lebens- und Verletzungsgefahr und Gefahr von Beschädigungen am Werkzeug/Gerät bei Nichteinhaltung der Anweisungen in dieser Bedienungsanleitung.*



*Gefahr eines Stromschlags.*



*Ziehen Sie sofort den Netzstecker aus der Steckdose, falls das Netzkabel beschädigt wird, sowie bei der Reinigung und Wartung.*



*Nur für den Innengebrauch.*



*Maschine der Klasse II - Doppelisolierung - Es ist kein geerdeter Anschluss erforderlich.*



*Immer Augenschutz tragen!*



*Gehörschutz tragen.*



*Schutzhandschuhe tragen.*



*Gefahr von herumfliegenden Gegenständen. Unbeteiligte vom Arbeitsbereich fernhalten.*



*Das Produkt entspricht den geltenden Sicherheitsnormen der europäischen Richtlinien.*

### Sicherheitshinweise für Kappsägen – Sägeanleitung

1. Verwenden Sie immer nur die Schneidkante (niemals die Seite) der Scheibe zum Schneiden. Üben Sie keinen seitlichen Druck auf die Scheibe aus und verhindern Sie insbesondere, dass sie steckenbleibt.
2. Halten Sie Hände und Körper von der Scheibe fern. Beim Schneiden mit der Maschine keine losen Kleidungsstücke tragen, die sich darin verfangen könnten.
3. Behandeln Sie die Trennscheibensäge sorgfältig, lassen Sie sie nicht fallen und bewahren Sie sie immer an einem sicheren, trockenen Ort auf. Vermeiden Sie übermäßige Temperaturen und Feuchtigkeit.
4. Stellen Sie sicher, dass alle Scheibenflansche und andere Einbauteile in gutem Zustand und gemäß den Anweisungen montiert sind. Beschädigte oder fehlende Teile können zu Schäden an der Trennscheibe führen. Verwenden Sie immer die mit der Maschine gelieferten Flansche.
5. Arbeiten Sie aus Sicherheitsgründen nie mit beschädigten Trennscheiben. Wenn Sie die Trennscheibe austauschen, schalten Sie zuerst die Maschine aus. Drehen Sie die

Trennscheibe von Hand und prüfen Sie sie auf unrunder Lauf, Drall oder ähnliches. Wenn solche Symptome auftreten, ersetzen Sie die Scheibe durch eine neue. Ersetzen Sie die Scheibe auch, wenn sie auf den Boden gefallen ist. Sie kann zerbrechlich geworden sein, auch wenn keine Schäden erkennbar sind.

6. Bevor Sie mit dem Schneiden beginnen, machen Sie einen Testlauf, d.h. treten Sie einen Schritt zurück, schalten Sie den Motor ein und achten Sie darauf, dass die Scheibe ordnungsgemäß läuft.  
Nach einem Austausch der Trennscheibe lassen Sie die Säge drei Minuten lang laufen; danach sollte sie vor jeglichen routinemäßigen Arbeiten immer zunächst eine Minute lang laufen gelassen werden.
7. Während die Maschine läuft, darf keinesfalls versucht werden, ein Werkstück zu entfernen oder einzuspannen. Warten Sie immer, bis die Scheibe ganz ausgelaufen ist, bevor Sie ein Werkstück entfernen oder Einstellungen ändern.
8. Bevor Sie die Trennscheibe einsetzen, prüfen Sie die mit Harz und Gummi behandelte Scheibe immer auf Scherbewegungen.
9. Vergleichen Sie immer die maximale Betriebsgeschwindigkeit der Trennscheibensäge mit der maximal zulässigen Drehzahl des Motors.  
Überschreiten Sie niemals die maximal zulässige Betriebsgeschwindigkeit, die auf der Trennscheibe angegeben ist.
10. Versuchen Sie niemals, eine Trennscheibe mit Gewalt an der Maschine anzubringen oder die Größe der Achsen zu verändern. Verwenden Sie niemals Scheiben, die nicht richtig passen. Verwenden Sie nur Scheiben, die für das Gerät ausgelegt sind.
11. Versuchen Sie nicht, Sägeblätter an der Maschine anzubringen, da sie nicht zum Sägen von Holz entwickelt wurde.
12. Beginnen Sie den Schneidvorgang erst, wenn der Motor die volle Geschwindigkeit erreicht hat.
13. Wenn sich die Scheibe beim Betätigen der Maschine nicht mehr dreht oder der Motor überlastet ist, schalten Sie die Maschine sofort aus.
14. Halten Sie leicht entflammbare oder zerbrechliche Gegenstände von der

Maschine fern. Der Maschinenbediener muss vermeiden, dass seine Hände, Gesicht oder Füße mit den beim Schneiden verursachten Funken in Berührung kommen.

15. Positionieren Sie Ihre Maschine fest auf einer ebenen Oberfläche.
16. Betreiben Sie das Gerät nur mit der auf dem Typenschild angegebenen Spannung.
17. Berühren Sie niemals ein abgeschnittenes Werkstück sofort, sondern lassen Sie es erst abkühlen.
18. Versuchen Sie niemals, Werkstücke zu schneiden, welche die zulässige Größe überschreiten.
19. Stellen Sie sich beim Schneiden niemals in die Schneidrichtung. Bleiben Sie immer auf einer Seite.
20. Lassen Sie immer alle Sicherheitseinrichtungen angebracht.
21. Achten Sie immer darauf, dass Sie langsam und sorgfältig schneiden. Vermeiden Sie es, die Trennscheibe mit einer ruckartigen Bewegung auf das Werkstück aufzusetzen.
22. Schieben Sie das Werkstück niemals auf die Trennscheibe, während Sie es in den Händen halten. Verwenden Sie immer die Klemme, um das Werkstück zu fixieren.
23. Halten Sie die Hände von der Trennscheibe fern. Schneiden Sie niemals Werkstücke, die weniger als 15cm von der rotierenden Scheibe entfernt von Hand abgestützt werden müssen.
24. Stellen Sie sicher, dass das Werkstück ordnungsgemäß abgestützt wird.
25. Niemals Schneidflüssigkeiten verwenden. Diese Flüssigkeiten können sich entzünden oder einen elektrischen Schlag verursachen
26. Schneiden Sie keine gusseisernen Materialien.
27. Schneiden Sie keine Kunststoffe, Holz oder Synthetikmaterialien.
28. Kein Magnesium schneiden.

### **Elektrische Sicherheit**

Beachten beim Benutzen von Elektromaschinen immer die örtlichen Sicherheitsvorschriften bezüglich Feuerrisiko, Elektroschock und Verletzung. Lesen Sie außer den folgenden Hinweisen ebenfalls die Sicherheitsvorschriften im einschlägigen Sonderteil. Die Hinweise müssen sicher aufbewahrt werden!



Überprüfen Sie immer, ob Ihre Netzspannung der des Typenschildes entspricht.



Gerät der Schutzklasse II - schutzisoliert  
- kein Schutzkontakt erforderlich.

### Austauschen von Kabeln oder Steckern

Wenn die Anschlussleitung beschädigt wird, muss sie durch eine besondere Anschlussleitung ersetzt werden, die vom Hersteller oder seinem Kundendienst erhältlich ist. Entsorgen Sie alte Kabeln oder Stecker, unmittelbar nachdem Sie durch neue ersetzt sind. Das Anschließen eines Steckers eines losen Kabels an eine Steckdose ist gefährlich.

### Verwendung von Verlängerungskabeln

Benutzen Sie nur ein genehmigtes Verlängerungskabel, das der Maschinenleistung entspricht. Die Ader müssen einen Mindestquerschnitt von 1,5 mm<sup>2</sup> haben. Befindet das Kabel sich auf einem Haspel. Muß es völlig abgerollt werden.

## 2. ANGABEN ZUM WERKZEUG

### Verwendungszweck

Die Kettensäge wurde für das Schneiden von Stahlwerkstoffen in verschiedenen Formen entworfen.

### Technische daten

Netzspannung	220V-240V~
Netzfrequenz	50/60Hz
Leistungsaufnahme	2.300 W
Nenn Drehzahl	4300/min
Abmessung Sägeblatt*	Ø 355mm x Ø 25.4mm
Schalldruck L <sub>PA</sub>	92 dB(A) K=3
Schalleistung L <sub>WA</sub>	105 dB(A) K=3
Vibrationen a <sub>h,AG</sub>	2.90+1.5 m/s <sup>2</sup>
Gewicht	15,8kg

### Max. Schneidleistung bei 90°

- Rechteckig	115mm x 125mm
- L-Form	135mm x 135mm
- Rund	Ø 125mm

### Max. Schneidleistung bei 45°

- Rechteckig	110mm x 102mm
- L-Form	110mm x 110mm
- Rund	Ø 110mm

\* In einigen Länder ist keine Trennscheibe enthalten.

### Vibrationsintensität

Die in dieser Bedienungsanleitung angegebene Vibrationsemissionsstufe wurde mit einem standardisierten Test gemäß EN 62841 gemessen; sie kann verwendet werden, um ein Werkzeug mit einem anderen zu vergleichen und die Vibrationsbelastung bei Verwendung des Werkzeugs für die angegebenen Anwendungszwecke vorläufig zu beurteilen.

- Die Verwendung des Werkzeugs für andere Anwendungen oder mit anderem oder schlecht gewartetem Zubehör kann die Belastung erheblich erhöhen.
- Zeiten, zu denen das Werkzeug ausgeschaltet ist, oder wenn es läuft, aber nicht eingesetzt wird, können die Belastung erheblich verringern.

Schützen Sie sich vor den Auswirkungen der Vibration durch Wartung des Werkzeugs und des Zubehörs, halten Sie Ihre Hände warm, und organisieren Sie Ihren Arbeitsablauf.

### Beschreibung

Die Zahlen im Text beziehen sich auf die Abbildungen auf den Seiten 2-5.

#### Abb. A.

1. Obere Schutzvorrichtung
2. Bewegliche Schutzvorrichtung
3. Trennscheibe  
(\*nicht bei allen Modellen enthalten)
4. Funkendeflektor
5. Werkstückklemme

#### Abb. B.

6. Handgriff
- 7a. Ein-/Ausschalter
- 7b. Lock-Off-Taste
8. Kohlebürstenabdeckung
9. Spindelverriegelungstaste

- 10A. Tiefenanschlagschraube
- 10B. Tiefenanschlagmutter
- 11. Transportsicherungsstift
- 12. Hintere Werkstückklemme
- 13. Vordere Werkstückklemme
- 14. Anschlaghebel
- 15. Werkstückspindel
- 16. Scheibenaustauschschlüssel

### Abb. C.

- 3. Trennscheibe
- 17. Maschinenspindel
- 18. Große innere Unterlegscheibe
- 19. Große äußere Unterlegscheibe
- 20. Kleine Unterlegscheibe
- 21. Trennscheibenschraube

## 3. BETRIEB



*Vor dem Austauschen von Klingen oder Justieren der Maschine ist zunächst der Stromstecker aus der Steckdose zu ziehen.*

### Entfernen der Transportsicherung Abb. B

Die Maschine verfügt über einen Transportsicherungsstift (11), der sie in einer niedrigen Position hält und Transport sowie Lagerung vereinfacht. Die Sicherungstaste blockiert die Auf-/Abbewegung der Säge. Sie muss vor der Verwendung der Säge deaktiviert werden.

- Transportsicherung entfernen, indem die Maschine etwas heruntergedrückt wird. Beim Herunterdrücken kann der Transportsicherungsstift (11) mit der anderen Hand herausgezogen werden.
- Nachdem der Stift (11) herausgezogen wurde, lässt sich die Maschine frei nach oben und unten bewegen.

### Aktivieren der Transportsicherung Abb. B

- Maschine auf die niedrigste Position schieben.
- Dann den Transportsicherungsstift (11) drücken, bis er einrastet.

### Anbringen / Entfernen einer Trennscheibe Abb. A, B, C.



*Vor dem Austauschen von Trennscheiben immer den Netzstecker ziehen*



*Beim Austauschen von Trennscheiben immer die entsprechenden Sicherheitshinweise beachten*

### Entfernen einer Trennscheibe

- Den Scheibenschlüssel (16) vom Unterteil der Maschine nehmen
- Das Entfernen der Scheibe ist einfacher, wenn die bewegliche Schutzvorrichtung (2) nach oben bewegt wird.
- Auf die Spindelverriegelungstaste (9) drücken, um die Bewegung der Maschinenspindel zu blockieren.
- Die Spindelverriegelungstaste (9) gedrückt halten. Den Schraubenschlüssel (16) auf die Trennscheibenschraube aufsetzen und ihn etwas drehen, bis der Knopf (9) vollständig eingedrückt ist und die Spindeldrehung blockiert wird.
- Die Schraube (21), die kleine Unterlegscheibe (20) und die große äußere Unterlegscheibe (19) entfernen
- Dann die Trennscheibe (3) entfernen.

### Montage einer Trennscheibe

- Falls dies noch nicht geschehen ist, entfernen Sie die Schraube (21), indem Sie sie gegen den Uhrzeigersinn drehen, dann die kleine Unterlegscheibe (20) und die große äußere Unterlegscheibe entfernen (19).
- Die Trennscheibe (3) auf die Maschinenspindel aufsetzen.
- Zuerst die große äußere Unterlegscheibe (19), dann die kleine Unterlegscheibe (20) und dann die Befestigungsschraube (21) gemäß Abb. C anbringen und von Hand anziehen, bis die Spindel sich zu drehen beginnt.
- Auf die Spindelverriegelungstaste (9) drücken, um die Bewegung der Maschinenspindel zu blockieren.
- Die Spindelverriegelungstaste (9) gedrückt halten. Den Schraubenschlüssel (16) auf die Trennscheibenschraube aufsetzen und etwas im Uhrzeigersinn drehen.

- Wenn die Spindelverriegelung die Drehung blockiert, die Trennscheibenschraube mit dem Schraubenschlüssel (16) festziehen.
- Die Spindelverriegelungstaste lösen und sicherstellen, dass sie die Spindel nicht mehr blockiert.
- Die 2 M10-Sechskantschrauben (22 & 23) an der hinteren Klemme (12) vollständig lösen.
- Die Klemme (12) nach hinten schieben und die Schrauben (22 & 23) wieder an den hinteren Verbindungslöchern befestigen.

#### Einstellen des Tiefenanschlags:

##### Abb. B

Die Maschine ist mit einer Tiefenanschlagschraube ausgestattet, mit der die maximale Schnitttiefe eingestellt werden kann.

- Zum Einstellen der Schneittiefe die untere Mutter (10B) lösen und dann die Tiefeneinstellung anpassen, indem die obere Schraube (10A) in die gewünschte Position gedreht wird.
- Dann die untere Mutter (10B) wieder festziehen.

Dann überprüfen, ob die Scheibe korrekt montiert ist:

- Die Scheibe (3) ein paar Runden mit der Hand drehen, um zu überprüfen, ob sie sich frei dreht und ob sie korrekt ausgerichtet ist.
- Die Maschine einschalten und mindestens 3 Minuten laufen lassen.

#### Der Ein-/Ausschalter

##### Abb. B

Der Ein-/Ausschalter (7) wird durch manuelles Ziehen des Schalterauslösers aktiviert. Er wird durch Freigeben des Auslösers deaktiviert.

#### Die Werkstückklemme (5)

##### Abb. A & B & D

- Das Werkstückmaterial zwischen die vordere Klemme (13) und die hintere Klemme (12) legen.
- Den Anschlag (14) wie in Abb. D anheben und den Schraubgriff (15) nach vorne drehen, bis die vordere Klemme (13) das Werkstück berührt.
- Dann den Anschlag (14) nach unten bewegen (um die Spindel zu verriegeln) und das Werkstück durch Drehen des Schraubgriffs (15) befestigen.

#### Schneidverfahren:

Zum Schneiden des Materials bitte immer wie folgt vorgehen:

- Sicherstellen, dass das Werkstück vor dem Starten der Maschine eingespannt und abgestützt wurde.
- Maschine in der oberen Position starten und eine Weile laufen lassen, bis die maximale Drehzahl erreicht ist.
- Sicherstellen, dass sich die Klinge ohne Vibration frei dreht.
- Maschine vorsichtig nach unten schieben, bis sie das Material berührt.
- Griff mit wenig Kraft weiterschieben, dabei sicherstellen, dass die Klingengeschwindigkeit nicht abnimmt.
- Ein-/Ausschalter nach dem Schneiden loslassen und die Maschine vorsichtig nach oben bringen.
- Das Werkstück erst entfernen, wenn die Trennscheibe vollständig ausgelaufen ist.

#### Schneiden in Winkeln

##### Abb. E

Die Maschine erlaubt durch Einstellen der hinteren Klemme (12) das Schneiden von Winkeln von 0° bis 45°.

- Lösen Sie die 2 M10-Innensechskantschrauben (22 & 23), welche die hintere Klemme (12) halten, bis sich der Schraubstock bewegen kann.
- Dann die hintere Klemme (12) auf den richtigen Winkel einstellen und beide Schrauben (22 & 23) wieder festziehen.

#### Verstellen des hinteren Schraubstocks (zum Schneiden größerer Werkstücke), Abb. F

Der Schraubstock erlaubt bei Auslieferung ab Werk eine maximale Werkstückgröße von 160 mm. Der Schraubstock kann nach hinten verstellt werden, um eine Werkstückgröße von 195 mm zu ermöglichen, wie in der rechten Abbildung dargestellt (Abb. F).



*Beim Schneiden keine übermäßige Kraft auf den Griff anwenden, da sonst Klinge und Maschine schneller verschleifen, außerdem wird der Schneidvorgang dadurch nicht beschleunigt.*

#### Prüfung und Austausch der Kohlebürsten

Der Motor hat 2 Kohlebürsten, die während des Gebrauchs verschleifen. Es ist wichtig, den Zustand der Kohlebürsten zu prüfen, eine

verschlissene Kohlebürste könnte in schlechter Leistung und in einem Motorschaden resultieren.

#### *Entfernen der Kohlebürsten.*

*Abb. B.*

- Sicherstellen, dass der Stromstecker aus der Steckdose gezogen ist.
- Kohlebürstenabdeckung (8) entfernen.
- Die Kohlebürsten durch vorsichtiges Ziehen der Feder entfernen.
- Bürstenblock auf Verschleiß prüfen; wenn weniger als 6mm übrig sind, ist die Kohlebürste abgenutzt und muss sofort ausgetauscht werden.
- Vorgang auf der anderen Seite wiederholen.

#### *Kohlebürsten wieder einsetzen*

*Abb. B.*

- Sicherstellen, dass der Stromstecker aus der Steckdose gezogen ist.
- Die Kohlebürsten wieder einsetzen und die Feder wieder anbringen.
- Die Feder gedrückt gehalten, dabei die Kohlebürstenabdeckung (8) aufsetzen und im Uhrzeigersinn drehen.
- Nachdem die Kohlebürsten wieder installiert sind, testen, ob die Maschine reibungslos ohne Funken läuft.



*Immer beide Kohlebürsten ersetzen.*

## 4. WARTUNG



*Schalten Sie das Gerät vor der Reinigung und Wartung immer aus, und ziehen Sie den Netzstecker aus der Steckdose.*

Reinigen Sie das Werkzeuggehäuse regelmäßig mit einem weichen Lappen, vorzugsweise nach jeder Verwendung. Stellen Sie sicher, dass die Lüftungsöffnungen frei von Staub und Schmutz sind. Entfernen Sie anhaftenden Schmutz mit einem weichen Lappen, der leicht mit Seifenwasser befeuchtet wurde. Verwenden Sie keine Lösungsmittel wie Benzin, Alkohol, Ammoniak usw., da Chemikalien dieser Art die Kunststoffteile beschädigen.

## GARANTIE

Die Garantiebedingungen sind der separat beiliegenden Garantiekarte zu entnehmen.

## UMWELTSCHUTZ



*Schadhafte und/oder zu entsorgende elektrische oder elektronische Werkzeuge und Geräte müssen an den dafür vorgesehenen Recycling-Stellen abgegeben werden.*

### **Nur für EG-Länder**

Entsorgen Sie Elektrowerkzeuge nicht über den Hausmüll. Entsprechend der EU-Richtlinie 2012/19/EU über Elektro- und Elektronik-Altgeräte sowie der Umsetzung in nationales Recht müssen Elektrowerkzeuge, die nicht mehr im Gebrauch sind, getrennt gesammelt und umweltschonend entsorgt werden.

**Am Produkt und am Benutzerhandbuch können Änderungen vorgenommen werden. Die technischen Daten können sich ohne Vorankündigung ändern.**



## Metaal afkortzaag 2300W - 355mm COM1007P

Dank u voor het aanschaffen van dit Ferm product. Hierdoor bent u nu in het bezit van een uitstekend product, geleverd door een van de toonaangevende leveranciers van Europa. Alle door Ferm aan u geleverde producten zijn vervaardigd conform de hoogste prestatie- en veiligheidsnormen. Deel van onze filosofie is de uitstekende klantenservice die wordt ondersteund door onze uitgebreide garantie. Wij hopen dat u dit product vele jaren met plezier zult gebruiken.



*Draag gehoorbescherming.*



*Draag veiligheidshandschoenen.*



*Gevaar voor rondvliegende voorwerpen.  
Houd omstanders uit de buurt van het werkgebied.*



*Het product is in overeenstemming met de van toepassing zijnde veiligheidsnormen in de Europese richtlijnen.*

### 1. VEILIGHEIDSVOORSCHRIFTEN



**Lees de bijgesloten veiligheids-  
waarschuwingen, de aanvullende  
veiligheidswaarschuwingen en de  
instructies. Het niet opvolgen van de veiligheids-  
waarschuwingen kan elektrische schokken, brand  
en/of ernstig letsel tot gevolg hebben. Bewaar de  
veiligheidswaarschuwingen en instructies als  
naslagwerk voor later.**

De volgende symbolen worden gebruikt in de gebruikershandleiding of op het product:



*Lees de gebruikershandleiding.*



*Gevaar voor lichamelijk letsel, overlijden  
of schade aan de machine wanneer de  
instructies in deze handleiding niet  
worden opgevolgd.*



*Gevaar voor elektrische schokken.*



*Verwijder onmiddellijk de netstekker uit  
het stopcontact indien het netsnoer  
beschadigd raakt en tijdens reiniging en  
onderhoud.*



*Uitsluitend voor gebruik binnenshuis.*



*Klasse II-machine - Dubbele isolatie - U  
hebt niet een geaarde stekker nodig.*



*Draag altijd een veiligheidsbril!*

### Veiligheidsinstructies voor metaal afkortzaag – Zaaginstructies

1. Zaag altijd alleen de zaagrand (nooit de zijkant) van de schijf. Oefen geen zijwaartse druk uit op de schijf, en laat de schijf vooral niet vastlopen.
2. Houd handen en lichaam weg bij de schijf. Draag tijdens het werken met de machine geen losse kleding, omdat die in de machine vast kan komen te zitten.
3. Behandel de zaagschijf met voorzichtigheid, laat de schijf nooit vallen, berg de schijf altijd op een veilige, droge plaats op. Vermijd uitzonderlijk hoge temperaturen en luchtvochtigheid.
4. Controleer dat alle flenzen van de schijf en andere gemonteerde onderdelen in goede conditie zijn en in elkaar zijn gezet volgens de instructies. Wanneer er onderdelen beschadigd zijn of ontbreken, kan dat leiden tot beschadiging van de schijf. Gebruik altijd de flenzen die bij de machine worden geleverd.
5. Werk nooit met beschadigde schijven, omdat die gevaarlijk kunnen zijn. Wanneer u de schijf verwisselt, schakel dan eerste machine uit. Draai de schijf met de hand en voer een inspectie uit op onregelmatigheden, verbuigingen of breuken. Treft u deze aan, laat de zaag dan verwijderen en vervangen door een nieuwe. Vervang de schijf ook als deze op de grond valt. De schijf kan zijn gebroken, ook al lijken er geen beschadigingen te zijn.

6. Laat de zaag, voor u met zagen begint, proefdraaien, dat wil zeggen, doe een stap achteruit, schakel de motor in en controleer dat de schijf goed functioneert. Laat, wanneer u de schijf hebt vervangen, de zaag drie minuten lang draaien; laat de zaag daarna, voordat u uw gebruikelijke werkzaamheden uitvoert, één minuut proefdraaien.
7. Probeer, terwijl de machine loopt, nooit een werkstuk weg te nemen of een werkstuk vast te klemmen. Wacht altijd tot de schijf volledig tot stilstand is gekomen en verwijder daarna pas een werkstuk of verander daarna pas de instellingen.
8. Inspecteer, voordat u de schijf installeert, altijd de met hars en rubber behandelde schijf op breuken.
9. Controleer altijd dat de maximale bedrijfssnelheid van de zaagschijf en de maximaal toegestane snelheid van de motor op elkaar zijn afgestemd. Overschrijd nooit een maximaal toegestane bedrijfssnelheid die op de schijf is vermeld.
10. Probeer nooit met geweld een schijf op de machine te monteren, of het formaat van de assen te wijzigen. Gebruik nooit schijven die niet goed passen. Gebruik alleen schijven die op de machine passen.
11. Probeer niet zaagbladen op de machine te bevestigen, omdat de machine niet is bedoeld voor het zagen van hout.
12. Begin pas met zagen wanneer de motor volledig op snelheid is gekomen.
13. Als u, tijdens het werken met de machine, merkt dat de schijf niet meer draait of de motor overbelast klinkt, schakel de machine dan onmiddellijk uit.
14. Houd licht brandbare of breekbare voorwerpen weg bij de machine. De gebruiker van de machine moet ervoor zorgen dat zijn handen, gezicht of voeten niet in contact komen met de vonken die door het zagen worden veroorzaakt.
15. Plaats uw machine stevig op een vlak, gelijkmatig oppervlak.
16. Werk alleen met de machine op de spanning die op het typeplaatje staat vermeld.
17. Raak nooit een afgezaagd werkstuk aan voordat u het hebt laten afkoelen.
18. Probeer nooit werkstukken te zagen die groter zijn dan het toegestane formaat.
19. Ga tijdens het zagen nooit staan waar de zaag naar u toe zaagt. Blijf altijd aan één zijde staan.
20. Laat veiligheidsvoorzieningen altijd op hun plaats.
21. Zorg er altijd voor dat u langzaam en voorzichtig zaagt. Breng de schijf niet met een abrupte beweging op het werkstuk aan.
22. Duw het werkstuk nooit naar de schijf toe, terwijl u het in uw handen houdt. Zet het werkstuk altijd vast met de klem.
23. Houd uw handen van de zaagschijf verwijderd. Zaag nooit werkstukken die u met uw handen moet ondersteunen op een afstand van minder dan 15 cm van de roterende schijf.
24. Controleer dat het werkstuk goed is ondersteund
25. Gebruik nooit snijvloeistoffen. Deze vloeistoffen kunnen vlamvatten en een elektrische schok veroorzaken
26. Zaag geen materialen van gietijzer
27. Zaag geen kunststoffen, hout of synthetische materialen
28. Zaag geen magnesium

## Elektrische veiligheid

Neem bij het gebruik van elektrische machines altijd de plaatselijk geldende veiligheidsvoorschriften in acht in verband met brandgevaar, gevaar voor elektrische schokken en lichamelijk letsel. Lees behalve onderstaande instructies ook de veiligheidsvoorschriften in het apart bijgevoegde veiligheidskatern door. Bewaar de instructies zorgvuldig!



*Controleer altijd of uw netspanning overeenkomt met de waarde op het typeplaatje.*



*Klasse II apparaat - Dubbel geïsoleerd - een geaarde stekker is niet noodzakelijk.*

## Bij vervanging van snoeren of stekkers

Wanneer het netsnoer beschadigd raakt, dan dient het vervangen te worden door een speciaal netsnoer dat verkrijgbaar is bij de fabrikant of de customer service van de fabrikant. Gooi oude snoeren of stekkers direct weg zodra ze door nieuwe exemplaren zijn vervangen. Het is gevaarlijk om de stekker van een los snoer in een stopcontact te steken.

## Bij gebruik van verlengsnoeren

Gebruik uitsluitend een goedgekeurd verlengsnoer, dat geschikt is voor het vermogen van de machine. De aders moeten een doorsnede hebben van minimaal 1,5 mm<sup>2</sup>. Wanneer het verlengsnoer op een haspel zit, rol het snoer dan helemaal af.

## 2. TECHNISCHE INFORMATIE

### Bedoeld gebruik

De afkorting is ontworpen voor het zagen van stalen materiaal in diverse vormen.

### Technische specificaties

Netspanning	220V-240V~
Netfrequentie	50/60Hz
Opgenomen vermogen	2.300 W
Nominaal toerental	4300/min
Zaagblad afmeting*	Ø 355mm x Ø 25.4mm
Geluidsdruk L <sub>PA</sub>	92 dB(A) K=3
Geluidsvermogen L <sub>WA</sub>	105 dB(A) K=3
Trilling a <sub>h,AG</sub>	2.90+1.5 m/s <sup>2</sup>
Trilling	15.8kg

### Max zaagcapaciteit bij 90°

- Rechthoekig	115mm x 125mm
- L-vormig	135mm x 135mm
- Cirkelvormig	Ø 125mm

### Max zaagcapaciteit bij 45°

- Rechthoekig	110mm x 102mm
- L-vormig	110mm x 110mm
- Cirkelvormig	Ø 110mm

\* In sommige landen wordt de zaagschijf niet meegeleverd

### Trillingsniveau

Het trillingsemissieniveau dat in deze gebruiksaanwijzing wordt vermeld, is gemeten conform een gestandaardiseerde test in EN 62841; deze mag worden gebruikt om twee machines met elkaar te vergelijken en als voorlopige beoordeling van de blootstelling aan trilling bij gebruik van de machine voor de vermelde toepassingen.

- gebruik van de tool voor andere toepassingen, of met andere of slecht onderhouden accessoires, kan het blootstellingsniveau in aanzienlijke mate doen toenemen

- wanneer de machine is uitgeschakeld of wanneer deze loopt maar geen werk verricht, kan dit het blootstellingsniveau aanzienlijk reduceren

Bescherm uzelf tegen de gevolgen van trilling door de machine en de accessoires te onderhouden, uw handen warm te houden en uw werkwijze te organiseren.

## Beschrijving

De nummers in de tekst verwijzen naar de schematische voorstellingen op de pagina's 2 - 5.

### Afb. A.

1. Bovenste beschermkap
2. Beweegbare beschermkap
3. Zaagschijf  
(\*wordt niet bij alle modellen geleverd)
4. Vonkenscherm
5. Werkstukkleem

### Afb. B.

6. Handle grip
6. Handgreep
- 7a. Aan/Uit-schakelaar
- 7b. Knop voor vergrendeling in de uit-stand
8. Kap koolstofborstels
9. Asvergrendelingsknop
- 10A. Dieptestopbout
- 10B. Dieptestopmoer
11. Vergrendelingspen voor vervoer
12. Achterste werkstukkleem
13. Voorste werkstukkleem
14. Stophendel
15. Werkstuk as
16. Sleutel voor schijfwisseling

### Afb. C.

3. Zaagschijf
17. Machineas
18. Grote binnenste ring
19. Grote buitenste ring
20. Kleine ring
21. Schijfbout

## 3. BEDIENING



Neem, voordat u zaagbladen wisselt of de machine afstelt, de stekker uit het stopcontact.

## De transportvergrendeling opheffen

### Afb. B

De machine is voorzien van een transportvergrendelingspen (11) die de machine klein houdt, zodat deze gemakkelijk te vervoeren en op te bergen is. De vergrendelingsknop blokkeert de op-/neergaande beweging van de zaag. U kunt de zaag pas gebruiken wanneer u de vergrendeling hebt opgeheven.

- Hef de transportvergrendeling op door de machine wat omlaag te duwen. Wanneer u de machine omlaag duwt, kunt u de transportvergrendelingspen (11) met de andere hand uittrekken.
- Wanneer de pen (11) is uitgetrokken, kan de machine vrij op en neer bewegen.

## De transportvergrendeling inschakelen

### Afb. B

- Duw de machine omlaag in de laagste stand.
- Duw vervolgens tegen de transportvergrendelingspen (11) tot deze op z'n plaats schuift.

## Een zaagschijf toevoegen / losnemen

### Afb. A, B, C.



*Trek altijd de stekker uit het stopcontact voordat u schijven wisselt*



*Controleer altijd de bijbehorende veiligheidsinstructies wanneer u schijven wisselt*

## Een zaagschijf losnemen

- Neem de schijfsleutel (16) uit de voet van de machine
- De schijf losnemen is gemakkelijker wanneer de verplaatsbare veiligheidskap (2) omhoog is gezet.
- Druk op de asvergrendelingsknop (9) zodat de beweging van de machineas wordt geblokkeerd.
- Houd de asvergrendelingsknop ingedrukt (9). Plaats de sleutel (16) op de schijfbout en draai tot de knop (9) maximaal is ingedruwd en de asrotatie wordt geblokkeerd.
- Neem de bout (21), kleine ring (20), de grote buitenste ring (19) los
- Neem vervolgens de zaagschijf los (3)

## Een zaagschijf monteren

- Draai, als dat nog niet is gebeurd, de bout (21) naar links los, neem vervolgens de kleine ring (20) en de grote buitenste ring (19) los.
- Plaats de zaagschijf (3) op de as van de machine.
- Voeg eerst de grote buitenste ring (19), vervolgens de kleine ring (20) en dan de bevestigingsbout (21) toe, volgens afbeelding C en draai de bout met de hand vast tot de as begint te roteren.
- Druk op de asvergrendelingsknop (9) zodat de beweging van de machineas wordt geblokkeerd.
- Houd de asvergrendelingsknop ingedrukt (9). Plaats de sleutel (16) op de schijfbout en draait deze wat naar rechts.
- Zet, wanneer de asvergrendeling de rotatie blokkeert, de schijfbout met de sleutel (16) vast.
- Maak de asvergrendelingsknop los en controleer dat de asvergrendelingsknop de as niet meer blokkeert.

## Controleer vervolgens dat de schijf goed is gemonteerd:

- Draai de schijf (3) met de hand enkele malen rond en controleer dat de schijf vrij kan ronddraaien en dat de schijf goed is uitgelijnd.
- Schakel de machine in en laat de machine gedurende ten minste 3 minuten draaien.

## De Aan/Uit-schakelaar

### Afb. B

De Aan/uit-schakelaar (7) wordt bediend door met de hand de trekker over te halen. De schakelaar wordt onderbroken wanneer de trekker weer wordt losgelaten.

## De werkstuklem (5)

### Afb. A & B & D

- Plaats het materiaal van het werkstuk tussen de voorste klem (13) en de achterste klem (12).
- Breng de stop (14) omhoog zoals in Afb. D. wordt getoond en draai de schroefhandgreep (15) naar voren tot de voorste klem (13) het werkstuk raakt.
- Verplaats vervolgens de stop (14) omlaag (vergrendel de as) en zet het werkstuk stevig vast door de schroefhandgreep (15) te draaien.

## Zagen onder een hoek

### Afb. E

Met de machine kan onder een hoek van 0 tot 45 graden worden gezaagd, daartoe moet de stand van de achterste klem (12) worden aangepast.

- Draai de 2 M10 zeskantige bouten (22 & 23) los, waarmee de achterste (12) vast zit, tot de bankschroef kan bewegen.
- Plaats vervolgens de achterste klem (12) in de juiste hoek en zet beide bouten (22 & 23) weer vast.

## De achterste bankschroef verplaatsen (zodat u grotere werkstukken kunt zagen)

### Afb. F

Wanneer de machine uit de fabriek wordt verzonden, biedt de bankschroef ruimte voor werkstukken van een maximale afmeting van 160 mm. De bankschroef kan naar achteren worden verplaatst voor werkstukken van 195 mm, zoals in de rechter foto (afb. F) wordt getoond.

- Draai de 2 M10 zeskantige bouten (22 & 23) op de achterste klem (12) geheel los.
- Verplaats de klem (12) naar achteren en bevestig de bouten (22 & 23) weer op de achterste verbindingsgaten.

## De dieptestop afstellen

### Afb. B

De machine is voorzien van een bout voor de dieptestop, met deze bout kan de maximale zaagdiepte worden afgesteld.

- Als de zaagdiepte moet worden afgesteld, maak dan de onderste moer (10B) los, stel vervolgens de diepte-instelling af door de bovenste bout (10A) in de gewenste positie te zetten.
- Zet vervolgens de onderste moer (10B) weer vast.

## Zaagprocedure

Volg voor het zagen van materiaal altijd de volgende procedure:

- Controleer, voordat u de machine start, dat het werkstuk goed is vastgeklemd en goed wordt ondersteund.
- Start de machine in de bovenste positie en laat de machine even draaien tot de maximale snelheid is bereikt.
- Controleer dat het zaagblad vrij draait zonder trilling.

- Verplaats de machine voorzichtig omlaag tot het materiaal wordt geraakt.
- Blijf de handgreep met enige kracht aanduwen, let erop dat de snelheid van het zaagblad niet afneemt.
- Laat na het zagen de Aan/Uit-schakelaar los en verplaats de machine voorzichtig omhoog.
- Verwijder het werkstuk pas wanneer de zaag volledig tot stilstand is gekomen.



*Oefen tijdens het zagen niet uitzonderlijk veel kracht op de handgreep uit, het zaagblad en de machine zullen sneller slijten en het zagen zal niet sneller verlopen.*

## De koolborstels inspecteren en vervangen

De motor heeft 2 koolborstels en die slijten tijdens gebruik. Het is belangrijk dat u de staat van de koolborstels inspecteert, een versleten koolborstel kan slechte prestaties en beschadiging van de motor tot gevolg hebben.

### Koolborstels uitnemen

#### Afb. B.

- Controleer dat de stekker niet in het stopcontact zit.
- Neem de kap (8) van de koolborstels af.
- Verwijder de koolborstels door ze voorzichtig naar buiten te trekken.
- Controleer het borstelblok op slijtage, wanneer er minder dan 6 mm over is, is de koolborstel versleten en moet onmiddellijk worden vervangen.
- Herhaal dit voor de andere zijde.

### De koolborstels weer plaatsen

#### Afb. B.

- Controleer dat de stekker niet in het stopcontact zit.
- Plaats de koolborstels weer en duw de veer weer op z'n plaats.
- Plaats de kap (8) van de koolborstels terwijl u de veer ingedruwd houdt, en draai de kap naar rechts.
- Test, nadat u de beide koolborstels weer hebt geplaatst, dat het apparaat soepel loopt zonder dat vonken te zien zijn.



*Vervang altijd beide koolborstels.*

## 4. ONDERHOUD



*Schakel voor reiniging en onderhoud altijd de machine uit en verwijder de netstekker uit het stopcontact.*

Reinig de machinebehuizing regelmatig met een zachte doek, bij voorkeur iedere keer na gebruik. Zorg dat de ventilatiesleuven vrij van stof en vuil zijn. Gebruik bij hardnekkig vuil een zachte doek bevochtigd met zeepwater. Gebruik geen oplosmiddelen als benzine, alcohol, ammonia, etc. Dergelijke stoffen beschadigen de kunststof onderdelen.

## GARANTIE

Lees voor de garantievoorzwaarden de apart bijgevoegde garantiekaart.

## MILIEU



*Defecte en/of afgedankte elektrische of elektronische apparaten dienen ter verwerking te worden aangeboden aan een daarvoor verantwoordelijke instantie.*

### Uitsluitend voor EU-landen

Dank elektrisch gereedschap niet af door dit als gewoon huisvuil aan te bieden. Conform de Europese Richtlijn 2012/19/EU voor Afgedankte Elektrische en Elektronische Apparatuur en de implementatie ervan in nationaal recht moet niet langer te gebruiken elektrisch gereedschap gescheiden worden verzameld en op een milieuvriendelijke wijze worden verwerkt.

**Het product en de gebruikershandleiding zijn onderhevig aan wijzigingen. Specificaties kunnen zonder opgaaf van redenen worden gewijzigd.**

## Scie à tronçonner 2300W - 355mm COM1007P

Merci d'avoir choisi ce produit Ferm. Vous avez fait le choix d'un produit de qualité, fourni par l'un des principaux fournisseurs européens. Tous les produits vendus par Ferm sont fabriqués conformément aux normes les plus strictes en matière de performances et de sécurité. Renforcée par notre garantie très complète, l'excellence de notre service clientèle forme également partie intégrante de notre philosophie. Nous espérons que vous profiterez longtemps de ce produit.

## 1. CONSIGNES DE SÉCURITÉ



**En plus des avertissements de sécurité suivants, veuillez également lire les avertissements de sécurité additionnels ainsi que les instructions.**

*Le non-respect des avertissements de sécurité et des instructions peut entraîner une décharge électrique, un incendie et/ou des blessures graves. **Veuillez conserver les avertissements de sécurité et les instructions pour consultation ultérieure.***

Les symboles suivants sont utilisés dans le manuel d'utilisation ou apposés sur le produit:



*Lisez le manuel d'utilisation.*



*Signale un risque de blessures, un danger mortel ou un risque d'endommagement de l'outil en cas de non-respect des instructions de ce manuel.*



*Risque de décharge électrique*



*En cas d'endommagement du câble secteur et durant le nettoyage et l'entretien, débranchez immédiatement la fiche de la prise secteur.*



*Utilisation à l'intérieur uniquement*



*Machine de classe II - À double isolement - Aucune liaison à la terre n'est nécessaire.*



*Portez toujours des lunettes de protection !*



*Portez des protections auditives.*



*Portez des gants de sécurité.*



*Risque de projection d'objets. Maintenez les spectateurs à l'écart de la zone de travail.*



*Le produit est conforme aux normes de sécurité en vigueur spécifiées dans les directives européennes.*

## De sécurité supplémentaires liées aux Scie à tronçonner

1. Utilisez toujours et uniquement le bord de coupe du disque (et jamais le flanc) pour couper. Évitez toute pression latérale sur le disque et évitez tout particulièrement de bloquer le disque.
2. Gardez vos mains et votre corps loin du disque. Pour utiliser la machine, ne portez aucun vêtement ample qui pourrait être happé à l'intérieur.
3. Prenez soin du disque de coupe, ne le faites pas tomber, rangez-le dans un endroit sûr et sec. Évitez les températures excessives ainsi que l'humidité.
4. Assurez-vous que toutes les brides de disque ainsi que les autres pièces installées sont en bon état et assemblées conformément aux instructions. Toute pièce endommagée ou manquante peut conduire à la rupture du disque. Utilisez toujours les brides livrées avec la machine.
5. Ne travaillez jamais avec des disques endommagés car ils peuvent être dangereux. Éteignez la machine avant de remplacer le disque. Faites tourner le disque à la main et inspectez-le pour contrôler l'absence d'irrégularités, de torsion ou de fissures. Si vous détectez l'un de ces dommages, retirez le disque et remplacez-le par un neuf. Remplacez également le disque s'il tombe au sol. Il peut en être fragilisé même si aucun dommage apparent n'est visible.
6. Avant de commencer à scier, procédez à un test. En vous éloignant d'un pas, allumez le moteur et assurez-vous que le disque fonctionne correctement. Après avoir remplacé le disque, laissez tourner la scie pendant trois minutes, puis, avant de reprendre le travail de routine, laissez-la tourner en test pendant une minute.
7. Lorsque la machine est allumée, ne tentez jamais de retirer ou de fixer la pièce à scier. Attendez toujours que le disque se soit complètement arrêté avant de retirer la pièce à scier ou de modifier les réglages.
8. Avant d'installer le disque, contrôlez toujours l'absence de fissure sur les disques résine et caoutchouc.
9. Comparez toujours la vitesse de fonctionnement maximale du disque de la scie abrasive avec la vitesse maximale autorisée pour le moteur. Ne dépassez jamais la vitesse de fonctionnement maximale autorisée indiquée sur le disque.
10. Ne tentez jamais de monter un disque en force sur la machine, ni de modifier la taille des axes. N'utilisez jamais un disque qui ne soit pas adapté. N'utilisez que des disques adaptés pour la machine.
11. Ne tentez pas de fixer des lames de scie sur la machine, cette dernière n'étant pas conçue pour scier du bois.
12. Ne commencez pas une découpe avant que le moteur ait atteint son plein régime.
13. Si, alors que la machine est en marche, le disque cesse de tourner ou si le moteur semble être sursollicité, éteignez immédiatement la machine.
14. Gardez les objets facilement inflammables ou fragiles éloignés de la machine. L'utilisateur de la machine doit empêcher ses mains, son visage ou ses pieds d'entrer en contact avec les étincelles provoquées par le sciage.
15. Placez votre machine sur une surface ferme, plate et de niveau.
16. Ne faites fonctionner la machine qu'à la tension spécifiée sur la plaque signalétique.
17. Ne touchez jamais la pièce sciée avant qu'elle ait refroidi.

18. Ne tentez jamais de scier des pièces dont la taille dépasse la taille autorisée.
19. Pendant la découpe, ne vous placez jamais dans le sens de coupe. Restez d'un côté ou de l'autre de la scie.
20. Ne désinstallez jamais les dispositifs de sécurité en place.
21. Assurez-vous de toujours procéder à une découpe lente et prudente. Évitez tout mouvement saccadé du disque sur la pièce à scier.
22. Ne poussez jamais la pièce à scier vers le disque alors que vous la tenez à la main. Utilisez toujours des fixations pour immobiliser la pièce à scier.
23. Gardez vos mains éloignées du disque de coupe. Ne sciez jamais une pièce si elle doit être tenue à la main à moins de 15cm du disque en rotation.
24. Assurez-vous que la pièce à scier est correctement soutenue
25. N'utilisez jamais aucun liquide de coupe. Ces liquides peuvent s'enflammer ou engendrer un choc électrique
26. Ne sciez jamais de fonte
27. Ne sciez pas de plastique, de bois ou de matières synthétiques
28. Ne sciez pas de magnésium

## Sécurité électrique

Lors d'utilisation de machines électriques, observez les consignes de sécurité locales en vigueur en matière de risque d'incendie, de chocs électriques et de lésion corporelle. En plus des instructions ci-dessous, lisez entièrement les consignes de sécurité contenues dans le cahier de sécurité fourni à part. Conservez soigneusement ces instructions!



Vérifiez toujours si la tension de votre réseau correspond à la valeur mentionnée sur la plaque signalétique.



Machine de la classe II - Double isolation - vous n'avez pas besoin d'une prise avec mise à terre.

## En cas de changement de câbles ou de fiches

Si le câble d'alimentation électrique est endommagé, il doit être remplacé par un câble d'alimentation électrique spécial disponible

auprès du fabricant ou de son service clientèle. Jetez les vieux câbles ou prises immédiatement après les avoir remplacés par de nouveaux. Il est dangereux de brancher un câble lâche.

## En cas d'emploi de câbles prolongateurs

Employez exclusivement un câble prolongateur homologué, dont l'usage est approprié pour la puissance de la machine. Les fils conducteurs doivent avoir une section minimale de 1,5 mm<sup>2</sup>. Si le câble prolongateur se trouve dans un dévidoir, déroulez entièrement le câble.

## 2. INFORMATIONS RELATIVES À LA MACHINE

### Utilisation prévue

La scie abrasive a été conçue pour scier l'acier en différentes formes.

### Spécifications techniques

Tension de secteur	220V-240V~
Fréquence de secteur	50/60Hz
Entrée d'alimentation	2.300 W
Vitesse nominale	4300/min
Dimension du scie*	Ø 355mm x Ø 25,4mm
Pression acoustique L <sub>PA</sub>	92 dB(A) K=3
Intensité acoustique L <sub>WA</sub>	105 dB(A) K=3
Vibration a <sub>h,AG</sub>	2.90+1.5 m/s <sup>2</sup>
Poids	15.8kg

### Capacité maximale à 90°

- Rectangulaire	115mm x 125mm
- En L	135mm x 135mm
- Circulaire	Ø 125mm

### Capacité maximale à 45°

- Rectangulaire	110mm x 102mm
- En L	110mm x 110mm
- Circulaire	Ø 110mm

\* Dans certains pays, le disque de coupe n'est pas fourni.

### Niveau de vibrations

Le niveau des vibrations émises, indiqué dans ce manuel, a été mesuré conformément à la procédure décrite par la norme EN 62841. Il peut être utilisé pour comparer deux outils ou pour réaliser une estimation préalable de l'exposition aux vibrations lors de l'utilisation de l'outil pour les applications mentionnées.



- L'utilisation de l'outil pour d'autres applications ou avec des outils différents ou mal entretenus peut augmenter de manière significative le niveau d'exposition.
- La mise hors tension de l'outil et sa non utilisation pendant qu'il est allumé peuvent considérablement réduire le niveau d'exposition.

Protégez-vous contre les effets des vibrations par un entretien correct de l'outil et de ses accessoires, en vous échauffant les mains et en organisant vos rythmes de travail.

## Descriptif

Les numéros dans le texte font référence aux diagrammes des pages 2 -5.

### Fig. A.

1. Protège-lame supérieur
2. Protège-lame amovible
3. Disque à tronçonner  
(\*non fourni avec tous les modèles)
4. Pare-étincelles
5. Fixation pièce à scier

### Fig. B.

6. Poignée
- 7a. Interrupteur Marche/Arrêt
- 7b. Bouton de verrouillage
8. Cache des balais carbone
9. Bouton de verrouillage de l'axe
- 10A. Boulon de butée de profondeur
- 10B. Écrou de butée de profondeur
11. Goupille de verrouillage pour le transport
12. Fixation arrière pièce à scier
13. Fixation avant pièce à scier
14. Levier de butée
15. Axe Pièce à scier
16. Clé pour le changement de disque

### Fig. C.

3. Disque à tronçonner
17. Axe de la machine
18. Grande rondelle intérieure
19. Grande rondelle extérieure
20. Petite rondelle
21. Boulon de disque

## 3. FONCTIONNEMENT



*Avant de remplacer les disques ou de régler la machine, retirez d'abord la prise électrique de la prise murale.*

### Retrait du dispositif de verrouillage pour le transport

#### Fig. B

La machine dispose d'une goupille de verrouillage pour le transport (11) qui permet de la garder en place et de faciliter son transport et son rangement. Le bouton de verrouillage empêche le mouvement haut/bas de la scie. Il doit être désenclenché avant de pouvoir utiliser la scie.

- Retirez le dispositif de verrouillage pour le transport en poussant légèrement la machine vers le bas. Tout en poussant, retirez la goupille de verrouillage pour le transport (11) de l'autre main.
- La machine peut librement être déplacée vers le haut ou le bas une fois la goupille (11) complètement sortie.

### Mise en place du dispositif de verrouillage pour le transport

#### Fig. B

- Abaissez la machine à son niveau le plus bas.
- Enfoncez ensuite la goupille de verrouillage pour le transport (11) jusqu'à ce qu'elle ait complètement glissé en place.

### Ajout / retrait d'un disque de coupe

#### Fig. A, B, C.



*Débranchez toujours la prise électrique avant de remplacer les disques*



*Consultez toujours les consignes de sécurité avant de remplacer les disques*

### Retrait d'un disque de coupe

- Prenez la clé à disque (16) qui se trouve dans le socle de la machine
- Le retrait du disque est plus simple si le carter de protection mobile (2) est relevé.
- Enfoncez le bouton de verrouillage de l'axe (9) afin de bloquer le mouvement de l'axe de la machine.
- Gardez le bouton de verrouillage de l'axe (9) enfoncé.

Placez la clé (16) sur le boulon du disque et tournez légèrement jusqu'à ce que le bouton (9) soit enfoncé au maximum et que la rotation de l'axe soit impossible.

- Retirez le boulon (21), la petite rondelle (20) et la grande rondelle extérieure (19)
- Retirez ensuite le disque de coupe (3)

### Installation d'un disque de coupe

- Si cela n'est pas déjà fait, retirez le boulon (21) en le tournant dans le sens inverse des aiguilles d'une montre, puis retirez la petite rondelle (20) et la grande rondelle extérieure (19).
- Placez le disque de coupe (3) sur l'axe de la machine.
- Ajoutez d'abord la grande rondelle extérieure (19), puis la petite rondelle (20) et enfin le boulon de fixation (21) conformément à la Fig. C puis serrez le boulon à la main jusqu'à ce que l'axe commence à tourner.
- Enfoncez le bouton de verrouillage de l'axe (9) afin de bloquer le mouvement de l'axe de la machine.
- Gardez le bouton de verrouillage de l'axe (9) enfoncé.  
Placez la clé (16) sur le boulon du disque et tournez-le légèrement dans le sens des aiguilles d'une montre.
- Lorsque le verrouillage de l'axe bloque la rotation, serrez le boulon du disque à l'aide de la clé (16).
- Desserrez le bouton de verrouillage de l'axe et assurez-vous qu'il ne bloque plus l'axe.

### Contrôlez ensuite le bon assemblage du disque:

- Tournez le disque (3) à la main sur quelques tours afin de contrôler qu'il tourne librement et qu'il est correctement aligné.
- Allumez la machine et laissez-la tourner pendant au moins 3 minutes.

### L'interrupteur Marche/Arrêt

#### Fig. B

L'interrupteur Marche/Arrêt (7) est activé à la main en actionnant la gâchette. Il est coupé dès que la gâchette est relâchée.

### La fixation de la pièce à scier (5)

#### Fig. A & B & D

- Placez la pièce à scier entre la fixation avant (13) et la fixation arrière (12).
- Soulevez la butée (14) comme illustré par la Fig. D et tournez la poignée de la vis (15) jusqu'à ce que la fixation avant (13) touche la pièce à scier.
- Déplacez ensuite la butée (14) vers le bas (pour verrouiller l'axe) et fixez fermement la pièce à scier en tournant la poignée de la vis (15).

### Découpes d'angles

#### Fig. E

La machine permet de découper à des angles allant de 0° à 45° en réglant la fixation arrière (12).

- Desserrez les 2 boulons M10 à tête à six pans (22 & 23) qui maintiennent la fixation arrière (12) jusqu'à ce que l'étau puisse bouger.
- Réglez ensuite la fixation arrière (12) au bon angle et resserrez les deux boulons (22 & 23).

### Déplacement de l'étau arrière (pour scier de plus grandes pièces)

#### Fig. F

En sortie d'usine l'étau autorise des pièces d'une taille maximale de 160mm. L'étau peut être réglé à l'arrière pour accepter des pièces de 195 mm, comme illustré par l'image de droite (Fig. F).

- Desserrez complètement les 2 boulons M10 à six pans (22 & 23) sur la fixation arrière (12).
- Déplacez la fixation (12) vers l'arrière et refixez les boulons (22 & 23) dans les trous arrière.

### Réglage de la butée de profondeur:

#### Fig. B

La machine est équipée d'un boulon de butée de profondeur qui permet de régler la profondeur de coupe maximale.

- Si la profondeur de coupe a besoin d'être réglée, desserrez l'écrou inférieur (10B) puis réglez la profondeur en tournant le boulon supérieur (10A) jusqu'à la bonne position.
- Refixez ensuite l'écrou inférieur (10B).

### Procédure de coupe:

Respectez toujours la procédure qui suit pour procéder à la découpe de matière :

- Assurez-vous que la pièce à scier est correctement fixée et soutenue avant de démarrer la machine.

- Démarrez la machine en position haute et laissez-la tourner un moment jusqu'à ce qu'elle atteigne son régime maximum.
- Assurez-vous que le disque tourne librement, sans vibrer.
- Abaissez doucement la machine jusqu'à ce qu'elle touche la pièce.
- Continuez à pousser la poignée sans trop forcer, en vous assurant que la vitesse du disque ne chute pas.
- Relâchez l'interrupteur Marche/Arrêt après la découpe et relevez doucement la machine.
- Ne retirez la pièce sciée qu'après l'arrêt complet du disque.



*N'exercez pas une trop grande force sur la poignée pendant la découpe. Le disque et la machine s'useraient sinon plus rapidement sans pour autant scier plus rapidement.*

#### Inspection et remplacement des balais carbone

Le moteur est équipé de 2 balais carbone qui s'usent pendant l'utilisation. Il est important de contrôler l'état des balais carbone car un balai usé peut diminuer les performances et endommager le moteur.

##### Retrait des balais carbone

Fig. B.

- Assurez-vous d'avoir bien débranché la prise électrique de la prise murale.
- Retirez le cache des balais carbone (8).
- Retirez les balais carbone en tirant doucement le ressort.
- Contrôlez l'absence de signes d'usure sur le bloc de balais. Si moins de 6mm restent sur les balais carbone, cela indique qu'ils sont usés et qu'ils doivent immédiatement être remplacés.
- Répétez la procédure de l'autre côté.

##### Réinstallation des balais carbone

Fig. B.

- Assurez-vous d'avoir bien débranché la prise électrique de la prise murale.
- Insérez les balais en carbone et repoussez le ressort en place.
- Réinstallez le cache des balais carbone (8) tout en maintenant le ressort enfoncé et tournez le

- cache dans le sens des aiguilles d'une montre.
- Après avoir réinstallé les deux balais carbone, testez le bon fonctionnement de la machine, sans étincelles.



*Remplacez toujours les deux balais carbone en même temps.*

## 4. ENTRETIEN



*Avant le nettoyage et l'entretien, mettez toujours la machine hors tension et débranchez la fiche de la prise secteur.*

Nettoyez le corps de la machine régulièrement au moyen d'un chiffon doux, de préférence après chaque utilisation. Vérifiez que les ouvertures d'aération ne sont pas obstruées ni sales. Utilisez un chiffon doux légèrement humidifié avec de la mousse de savon pour nettoyer les taches persistantes. N'utilisez pas de produits de nettoyage tels que l'essence, l'alcool, l'ammoniac, etc.; ces produits peuvent endommager les parties synthétiques.

## GARANTIE

Les conditions de garantie sont disponibles dans le certificat de garantie fourni séparément.

## ENVIRONNEMENT



*Les équipements électroniques ou électriques défectueux ou destinés à être mis au rebut doivent être déposés aux points de recyclage appropriés.*

#### Uniquement pour les pays de l'UE

Ne jetez pas les outils électriques avec les déchets domestiques. Selon la Directive européenne 2012/19/EU relative aux déchets d'équipements électriques et électroniques et sa mise en œuvre dans le droit national, les outils électriques hors d'usage doivent être collectés séparément et mis au rebut de manière écologique.

**Le produit et le manuel d'utilisation sont sujets à modifications. Les spécifications peuvent changer sans préavis.**

## Sierra de corte 2300W - 355mm COM1007P

Gracias por comprar este producto de Ferm. Ahora dispone de un excelente producto, suministrado por uno de los principales proveedores de Europa. Todos los productos suministrados por Ferm son fabricados de acuerdo con los más elevados estándares de rendimiento y seguridad. Como parte de nuestra filosofía, proporcionamos también un excelente servicio al cliente, respaldado por nuestra garantía integral. Esperamos que disfrute del uso de este producto durante muchos años.



Use protectores auditivos.



Use guantes de seguridad.



Riesgo de objetos volantes. Mantenga a las personas ajenas alejadas de la zona de trabajo.



El producto es conforme a las normas de seguridad aplicables según las directivas europeas.

### 1. INSTRUCCIONES DE SEGURIDAD



**Lea las advertencias de seguridad, las advertencias de seguridad adicionales y las instrucciones adjuntas.** Si no

respeta las advertencias de seguridad y las instrucciones, pueden ocasionarse descargas eléctricas, incendios y/o lesiones graves.

**Guarde las advertencias de seguridad y las instrucciones para su futura consulta.**

En el manual de usuario y en el producto se emplean los siguientes símbolos:



Lea el manual de usuario.



Denota riesgo de lesiones personales, pérdida de vida o daños a la herramienta en caso de incumplimiento de las instrucciones del presente manual.



Riesgo de choque eléctrico.



Saque inmediatamente el enchufe de alimentación de red si el cable de red está dañado y cuando realice operaciones de limpieza y mantenimiento.



Use solo en interiores.



Máquina de clase II - Doble aislamiento - No necesita enchufe con conexión a tierra.



Use siempre protectores oculares!

### Instrucciones de seguridad para Sierras de corte - Instrucciones de corte

- Utilice siempre el filo (nunca el lateral) del disco para realizar el corte. Evite ejercer presión lateral sobre el disco, y en particular, evite provocar que se atasque.
- Mantenga las manos y el cuerpo alejados del disco. Mientras corte con la máquina, no use ropa suelta que pueda quedar atrapada en la máquina.
- Trate la sierra de corte con precaución, nunca la deje caer y guárdela siempre en un lugar seguro y seco. Evite condiciones con temperaturas extremas y humedad excesiva.
- Asegúrese de que todas las bridas de los discos y demás piezas instaladas estén en buenas condiciones y montadas según las instrucciones. Si hay piezas dañadas o faltan piezas pueden provocarse daños en el disco. Utilice siempre las bridas suministradas con la máquina.
- Nunca trabaje con discos dañados, ya que pueden resultar peligrosos. Cuando cambie el disco, apague la máquina en primer lugar. Gire el disco a mano e inspecciónelo en busca de irregularidades, dobleces o cortes. Si encuentra alguno de los defectos mencionados, extraiga el disco y reemplácelo por uno nuevo. Reemplace el disco si se le ha caído al suelo. Al caerse puede volverse quebradizo incluso si no es posible detectar daños visibles.
- Antes de empezar a cortar, realice una prueba, es decir, retroceda, encienda el

- motor y asegúrese de que el disco funciona correctamente.
- Después de cambiar el disco, deje funcionar la sierra durante tres minutos; una vez transcurrido este tiempo y antes de realizar cualquier tarea rutinaria, déjela funcionar en modo prueba durante un minuto.
7. Nunca trate de retirar o sujetar una pieza de trabajo en la máquina con la sierra en funcionamiento. Espere siempre hasta que el disco pare de dar vueltas totalmente antes de retirar cualquier pieza de trabajo o de cambiar la configuración.
  8. Antes de instalar el disco, inspeccione siempre la resina y el disco tratado con caucho para cortar.
  9. Compruebe siempre la velocidad máxima de funcionamiento de la sierra de corte con la velocidad máxima permitida del motor. Nunca exceda la velocidad de funcionamiento máxima permitida indicada en el disco.
  10. Nunca trate de montar un disco en la máquina a la fuerza ni modifique el tamaño de los ejes. Nunca utilice discos que no encajen suavemente en la máquina. Utilice únicamente discos válidos para la máquina.
  11. No intente colocar hojas de la sierra en la máquina, puesto que no está diseñada para cortar madera.
  12. No comience a cortar hasta que el motor haya alcanzado la velocidad máxima.
  13. Si durante el funcionamiento de la máquina el disco dejase de girar o el motor suena sobrecargado, apague la máquina inmediatamente.
  14. Mantenga los objetos altamente inflamables o frágiles alejados de la máquina. El usuario de la máquina debe evitar que sus manos, su cara o sus pies entren en contacto con las chispas que provoca el corte.
  15. Coloque la máquina de forma estable sobre una superficie plana y uniforme.
  16. Utilice la máquina únicamente con el voltaje indicado en la placa de características.
  17. Nunca toque una pieza de trabajo que acaba de cortar, primero espere a que enfríe.
  18. Nunca intente cortar piezas que excedan el tamaño permitido.
  19. Durante el corte, nunca se coloque en la dirección de corte. Colóquese siempre a un lado.
  20. Deje siempre los dispositivos de seguridad instalados.
  21. Asegúrese en todo momento de cortar lenta y cuidadosamente. Evite aplicar el disco a la pieza de trabajo realizando un movimiento brusco.
  22. Nunca empuje la pieza de trabajo hacia el disco mientras la sostiene con las manos. Utilice siempre la abrazadera para sujetar la pieza de trabajo.
  23. Mantenga en todo momento las manos alejadas del disco de corte. Nunca corte piezas de trabajo que deba sujetar manualmente a una distancia inferior a 15 cm del disco giratorio.
  24. Asegúrese de que la pieza de trabajo esté correctamente sujeta
  25. Nunca utilice fluidos de corte. Estos fluidos podrían encenderse o causar descargas eléctricas
  26. No corte materiales de hierro fundido
  27. No corte plásticos, madera o materiales sintéticos
  28. No corte magnesio

### Seguridad eléctrica

Tenga siempre presentes las normas de seguridad locales con respecto al peligro de incendio, peligro de sufrir descargas eléctricas y peligro de accidentes. Lea, además de las instrucciones que siguen a continuación, las normas de seguridad que aparecen en el cuadernillo anexo. Guarde cuidadosamente las instrucciones.



*Controle que la tensión de la red sea la misma que la que aparece indicada en la placa.*



*Herramienta de tipo II - Doble aislamiento - No requiere enchufe con conexión a tierra.*

### Recambio de cables y enchufes

Si la red eléctrica de cables resulta dañada, se debe sustituir con una red de cables especial que se puede obtener del fabricante o del servicio de atención al cliente. Deshágase de los cables o clavijas antiguos inmediatamente después de sustituirlos por los nuevos. Es peligroso conectar a un enchufe la clavija de un cable suelto.

### Uso de cables de extensión

Utilice siempre cables de extensión autorizados que sean aptos para la potencia del aparato. Los hilos deben tener un diámetro de 1,5 mm<sup>2</sup>. Cuando el cable de extensión esté en un carrete, desenrolle el cable completamente.

## 2. INFORMACIÓN DE LA MÁQUINA

### Uso previsto

Esta sierra de corte se ha diseñado para cortar materiales de acero de diversas formas.

### Especificaciones técnicas

Alimentación de red	220V-240V~
Frecuencia de alimentación	50/60Hz
Potencia de entrada	2.300 W
Velocidad nominal	4300/min
Potencia de sierra*	∅ 355mm x ∅ 25.4mm
Presión sonora L <sub>PA</sub>	92 dB(A) K=3
Potencia acústica L <sub>WA</sub>	105 dB(A) K=3
Vibración a <sub>h,AG</sub>	2.90+1.5 m/s <sup>2</sup>
Peso	15.8kg

### Capacidad máxima de corte a 90°

- Rectangular	115mm x 125mm
- Forma en L	135mm x 135mm
- Circular	∅ 125mm

### Capacidad máxima de corte a 45°

- Rectangular	110mm x 102mm
- Forma en L	110mm x 110mm
- Circular	∅ 110mm

\* En algunos países, el disco de corte no se incluye con la máquina.

### Nivel de vibración

El nivel de emisión de vibraciones declarado en el presente manual de instrucciones ha sido medido de acuerdo con una prueba normalizada establecida por la norma EN 62841; puede usarse para comparar una herramienta con otra y como evaluación preliminar de exposición a la vibración cuando se usa la herramienta para las aplicaciones mencionadas

- usar la herramienta para diferentes aplicaciones o con accesorios diferentes o escasamente mantenidos, puede aumentar significativamente el nivel de exposición

- cuando la herramienta está apagada o está en funcionamiento, pero no ejecuta realmente ninguna tarea, puede reducir significativamente el nivel de exposición.

Protéjase contra los efectos de las vibraciones haciendo el mantenimiento a la herramienta y a sus accesorios, manteniendo las manos calientes y organizando sus patrones de trabajo.

### Descripción

Los números del texto se refieren a los diagramas de las páginas 2-5.

### Fig. A.

1. Protección de seguridad superior
2. Protección de seguridad extraíble
3. Disco de corte  
(\*no incluido para todos los modelos)
4. Deflector de chispa
5. Abrazadera de la pieza de trabajo

### Fig B.

6. Empuñadura
- 7a. Interruptor de Encendido/Apagado
- 7b. Botón de desbloqueo
8. Tapa de la escobilla de carbón
9. Botón de bloqueo del husillo
- 10A. Perno de tope de profundidad
- 10B. Tuerca de tope de profundidad
11. Pasador de bloqueo de transporte
12. Abrazadera trasera de la pieza de trabajo
13. Abrazadera frontal de la pieza de trabajo
14. Palanca del tope
15. Husillo de la pieza de trabajo
16. Llave de intercambio de disco

### Fig C.

3. Disco de corte
17. Husillo de la máquina
18. Arandela interior grande
19. Arandela exterior grande
20. Arandela pequeña
21. Perno del disco

## 3. FUNCIONAMIENTO



Antes de cambiar las cuchillas o de ajustar la máquina, desenchufe siempre en primer lugar el cable de alimentación de la toma de pared.

### Extracción del bloqueo de transporte

#### Fig. B

La máquina incluye un pasador de bloqueo de transporte (11) que mantiene su posición baja y facilita el transporte del dispositivo y su almacenamiento. El botón de bloqueo bloquea el movimiento ascendente y descendente de la sierra. Dicho bloqueo debe ser desactivado antes de utilizar la sierra.

- Retire la bloqueo de transporte empujando un poco la máquina hacia abajo. Mientras empuja hacia abajo, puede extraer con la otra mano el pasador de bloqueo de transporte (11).
- Después de extraer el pasador (11), la máquina puede moverse libremente hacia arriba y hacia abajo.

### Activación del bloqueo de transporte

#### Fig. B

- Presione la máquina hasta su posición más baja.
- A continuación, empuje el pasador de bloqueo de transporte (11) hasta que se deslice en su lugar.

### Añadir/retirar un disco de corte

#### Fig. A, B y C.



*Desconecte siempre el enchufe de alimentación antes de proceder con el cambio de discos*



*Al cambiar los discos, verifique siempre las instrucciones de seguridad relacionadas*

### Extracción de un disco de corte

- Extraiga la llave del disco (16) de la base de la máquina.
- La extracción del disco es más fácil si se mueve hacia arriba el protector de seguridad móvil (2).
- Presione el botón de bloqueo del husillo (9) para bloquear el movimiento del husillo de la máquina.
- Mantenga presionado el botón de bloqueo del eje (9). Coloque la llave (16) en el perno del disco y gírelo ligeramente hasta que el botón (9) quede hacia abajo del todo y bloquee la rotación del cabezal.

- Retire el perno (21), la arandela pequeña (20) y la arandela exterior grande (19)
- A continuación, retire el disco de corte (3)

### Colocación de un disco de corte

- En caso de que no lo haya hecho todavía, quite el perno (21) girándolo en sentido contrario a las agujas del reloj, y luego quite la arandela pequeña (20) y la arandela exterior grande (19).
- Coloque el disco de corte (3) sobre el husillo de la máquina.
- Coloque primero la arandela exterior grande (19), luego la arandela pequeña (20) y luego el perno de fijación (21), tal y como se muestra en la Figura C, y apriete con la mano hasta que el husillo empiece a girar.
- Presione el botón de bloqueo del husillo (9) para bloquear el movimiento del husillo de la máquina.
- Mantenga presionado el botón de bloqueo del eje (9). Coloque la llave (16) sobre el perno del disco y gírelo ligeramente en el sentido de las agujas del reloj.
- Cuando el bloqueo del husillo bloquee la rotación, apriete el perno del disco utilizando la llave (16).
- Afloje el botón de bloqueo del husillo y asegúrese de que el botón de bloqueo del husillo ya no esté bloqueando el eje.

### A continuación, compruebe si la rueda está instalada correctamente:

- Gire el disco (3) a mano unas cuantas vueltas para comprobar si gira libremente y si está bien alineado.
- Encienda la máquina y deje que la máquina funcione durante al menos 3 minutos.

### Interruptor de Encendido/Apagado

#### Fig. B

El interruptor de Encendido/Apagado (7) se activa pulsando manualmente el gatillo del interruptor. Se desactiva al soltar el gatillo.

### Abrazadera de la pieza de trabajo (5)

#### Fig. A, B y D

- Coloque el material de la pieza de trabajo entre la abrazadera delantera (13) y la abrazadera trasera (12).

- Levante el tope (14) como se muestra en la Fig. D. y gire el mango del tornillo (15) hacia delante hasta que la abrazadera delantera (13) entre en contacto con la pieza de trabajo.
- A continuación, mueva el tope (14) hacia abajo (para bloquear el husillo) y fije con seguridad la pieza de trabajo girando el mango del tornillo (15).

### Corte en ángulos

#### Fig. E

La máquina permite cortar en ángulos de 00 a 450 ajustando la abrazadera trasera (12).

- Afloje los 2 pernos de cabeza hexagonal M10 (22 y 23) que sujetan la abrazadera trasera (12) hasta que se pueda mover el tornillo.
- A continuación, coloque la abrazadera trasera (12) utilizando el ángulo que desee y apriete ambos tornillos (22 y 23) de nuevo.

### Desplazamiento del tornillo trasero (para cortar piezas de trabajo más grandes)

#### Fig. F

Tal y como se envía de fábrica, el tornillo permite trabajar con piezas de trabajo de 160 mm de tamaño. El tornillo se puede ajustar en la parte trasera para poder trabajar con piezas de trabajo de 195 mm, tal y como se muestra en la imagen de la derecha (Fig. F).

- Afloje completamente los 2 pernos hexagonales M10 (22 y 23) de la abrazadera trasera (12).
- Mueva la abrazadera (12) hacia atrás y vuelva a fijar los pernos (22 y 23) en los orificios de conexión traseros.

### Ajuste del tope de profundidad:

#### Fig. B

La máquina está equipada con un perno de tope de profundidad, con este perno se puede ajustar la profundidad de corte máxima.

- Si es necesario ajustar la profundidad de corte, afloje la tuerca inferior (10B) y luego ajuste la configuración de profundidad girando el perno superior (10A) a la posición deseada.
- Luego vuelva a fijar la tuerca inferior (10B).

### Procedimiento de corte:

Para cortar el material, siga siempre el procedimiento indicado a continuación:

- Asegúrese de que la pieza de trabajo esté firmemente apoyada y sujeta con la abrazadera bien antes de poner en marcha la máquina.
- Ponga la máquina en marcha a la velocidad más alta y deje que la máquina funcione durante un tiempo hasta que alcance la máxima velocidad.
- Asegúrese de que la cuchilla gire libremente y sin vibraciones.
- Baje suavemente la máquina hasta que entre en contacto con el material.
- Mantenga presionando el mango ejerciendo poca fuerza, asegúrese de que la velocidad de la cuchilla no disminuya.
- Suelte el interruptor de encendido/apagado después de cortar y mueva suavemente la máquina.
- Espere a que el disco de corte haya dejado de funcionar completamente para retirar la pieza.



*No aplique fuerza excesiva en el mango al cortar, la cuchilla y la máquina se desgastarán más rápido y no dará nunca como resultado un corte más rápido.*

### Inspección y sustitución de los cepillos de carbón

El motor tiene 2 cepillos de carbón que se desgastan con el uso. Es importante comprobar el estado de los cepillos de carbón, un cepillo de carbón desgastado puede resultar en un mal rendimiento de la sierra y causar daños en el motor.

#### Extracción de los cepillos de carbón Fig B.

- Asegúrese de haber desenchufado el enchufe de la toma de pared.
- Retire la cubierta del cepillo de carbón (8).
- Retire los cepillos de carbón tirando suavemente del resorte.
- Compruebe el desgaste en el bloque de cepillo, cuando sea inferior a 6 mm, el cepillo de carbón está gastado y debe cambiarse de inmediato.
- Repita el mismo procedimiento en el otro lado.



### Instalar de nuevo los cepillos de carbón

Fig B.

- Asegúrese de haber desenchufado el enchufe de la toma de pared.
- Introduzca los cepillos de carbón y coloque el resorte en su lugar.
- Añada la tapa del cepillo de carbón (8) mientras mantiene presionado el muelle y gire la tapa en el sentido de las agujas del reloj.
- Después de haber instalado de nuevo los dos cepillos de carbón, compruebe si la máquina funciona correctamente sin chispas.



*Reemplace siempre ambos cepillos de carbón, nunca uno solamente.*

## 4. MANTENIMIENTO



*Antes de realizar la limpieza y el mantenimiento, apague siempre la máquina y extraiga el enchufe de la red de alimentación.*

Limpie regularmente la carcasa de la máquina con un paño suave, preferentemente después de cada uso. Compruebe que los orificios de ventilación estén libres de polvo y suciedad. Elimine el polvo persistente utilizando un paño suave humedecido con agua y jabón. No use disolventes tales como gasolina, alcohol, amoníaco, etc. Tales productos químicos pueden dañar los componentes sintéticos.

## GARANTÍA

Las condiciones de la garantía se encuentran en la tarjeta de garantía suministrada por separado.

## MEDIOAMBIENTE



*Los aparatos eléctricos o electrónicos defectuosos y/o desechados deben recogerse en lugares de reciclado apropiado.*

### Solo para países de la Comunidad Europea

No elimine las herramientas eléctricas como residuos domésticos. De acuerdo con la Directiva europea 2012/19/EU sobre residuos de aparatos eléctricos y electrónicos, y su transposición a las legislaciones nacionales, las herramientas eléctricas que ya no se utilizan deben recogerse por separado y eliminarse en modo ecológico.

**El producto y el manual de usuario están sujetos a variaciones. Las especificaciones pueden variarse sin previo aviso.**

## Serra de corte 2300W - 355mm COM1007P

Obrigado por ter adquirido este produto da Ferm. Ao fazê-lo, adquiriu um excelente produto, fornecido por um dos principais fornecedores da Europa. Todos os produtos fornecidos pela Ferm são fabricados de acordo com os mais elevados padrões de desempenho e segurança. Como parte da nossa filosofia, fornecemos também um excelente serviço de assistência ao cliente, apoiado pela nossa garantia abrangida. Esperamos que aprecie utilizar este produto durante muitos anos.



Use protecção auricular.



Use luvas de segurança.



Risco de projecção de objectos.  
Mantenha os passantes afastados da área de trabalho.



O produto está em conformidade com as normas de segurança aplicáveis nas directivas europeias.

### 1. INSTRUÇÕES DE SEGURANÇA



**Leia os avisos de segurança fornecidos, os avisos de segurança adicionais e as instruções.** O não cumprimento dos avisos de segurança e as instruções podem resultar em choque eléctrico, incêndio e/ou ferimentos graves. **Guarde os avisos de segurança e as instruções para referência futura.**

Os seguintes símbolos são utilizados no manual do utilizador ou no produto:



Leia o manual do utilizador.



Indica o risco de ferimentos, morte ou danos na ferramenta se as instruções indicadas neste manual não forem seguidas.



Risco de choque eléctrico.



Retire de imediato a ficha da tomada de corrente se o cabo de corrente sofrer danos e durante a limpeza e manutenção.



Apenas para utilização no interior.



Máquina de classe II - Isolamento duplo - Não é necessário uma ficha com ligação à terra.



Use sempre protecção ocular!

### Instruções de segurança para serras de cortar - instruções de corte

- Só deve utilizar o bordo cortante (nunca a parte lateral) do disco para efetuar o corte. Evite colocar pressão lateral no disco e, em especial, evite encravá-la.
- Mantenha as mãos e o corpo afastados do disco. Quando efetuar cortes com a máquina, não use roupa larga que possa ficar presa.
- Trate a serra do disco de corte com cuidado, nunca a deixe cair, armazene-a sempre num local seguro e seco. Evite temperaturas excessivas e humidade.
- Certifique-se de que todas as flanges do disco e outras peças instaladas estão em boas condições e montadas de acordo com as instruções. As peças danificadas ou em falta podem dar origem a danos no disco. Utilize sempre as flanges fornecidas com a máquina.
- Nunca trabalhe com discos danificados, porque podem ser perigosos. Quando substituir o disco, desligue primeiro a máquina. Rode o disco à mão e inspecione-o em termos de irregularidade, torções ou cortes. Se encontrar algum destes problemas, retire o disco e substitua-o por um novo. Além disso substitua o disco se cair ao chão. Pode ter sofrido um impacto, mesmo que não haja algum dano visível.
- Antes de iniciar o corte, faça um teste, ou seja, recue, ligue o motor e verifique se o motor está a funcionar corretamente.

- Depois de substituir o disco, deixe a serra ligada durante três minutos. Em seguida, antes de efetuar qualquer tarefa de rotina, deixe-a a funcionar durante um minuto.
7. Quando a máquina estiver em funcionamento, nunca retire ou fixe uma peça de trabalho. Aguarde sempre até o disco parar de girar por completo antes de remover qualquer peça ou alterar as definições.
  8. Antes de instalar o disco, inspecione sempre se o disco com tratamento de resina e borracha apresenta cortes.
  9. Verifique sempre a velocidade máxima de funcionamento da serra de corte do disco de acordo com a velocidade máxima permitida do motor. Nunca exceda a velocidade máxima de funcionamento permitida, indicada no disco.
  10. Nunca monte um disco na máquina aplicando força, ou para alterar o tamanho dos eixos. Nunca use discos que não encaixem. Utilize apenas discos que encaixem na máquina.
  11. Não fixe lâminas de serra na máquina, porque não foi concebida para cortar madeira.
  12. Só deve iniciar o corte depois do motor atingir a velocidade máxima.
  13. Se, durante o funcionamento da máquina, o disco deixar de rodar ou o motor parecer estar sobrecarregado, desligue a máquina de imediato.
  14. Mantenha os objetos frágeis ou facilmente inflamáveis afastados da máquina. O operador da máquina deve evitar que as mãos, rosto ou pés entrem em contacto com as faíscas causadas durante o corte.
  15. Posicione a máquina com firmeza sobre uma superfície plana e lisa.
  16. Só deve utilizar a máquina de acordo com a tensão indicada na placa sinalética.
  17. Nunca toque numa peça serrada, deixe-a sempre arrefecer sempre primeiro.
  18. Não corte peças que excedam o tamanho permitido.
  19. Durante o corte, nunca se posicione na direção de corte. Permaneça apenas num dos dois lados.
  20. Deixe sempre os dispositivos de segurança instalados.
  21. Certifique-se sempre de que corta de maneira lenta e com cuidado. Evite aplicar o disco na peça de maneira irregular.
  22. Nunca empurre a peça na direção do disco enquanto a segura com as mãos. Utilize sempre o grampo para fixar a peça.
  23. Mantenha as mãos afastadas do disco de corte. Nunca corte peças se for necessário colocar o apoio manual a uma distância inferior a 15 cm do disco rotativo.
  24. Verifique se a peça está bem apoiada
  25. Nunca utilize fluidos de corte. Estes fluidos podem inflamar-se ou causar choque elétrico
  26. Não corte materiais de ferro fundido
  27. Não corte plástico, madeira ou materiais sintéticos
  28. Não corte magnésio

### Segurança eléctrica

Quando usar ferramentas eléctricas, respeite sempre as regras de segurança localmente em vigor, referentes ao perigo de incêndio, choque eléctrico ou ferimentos. Além das instruções seguintes leia também as instruções de segurança fornecidas em separado. Guarde cuidadosamente estas instruções!



*Verifique sempre se a voltagem da rede corresponde à voltagem indicada na chapa de tipo.*



*Máquina classe II – Isolamento duplo – Não necessita de tomada com terra.*

### Substituição de cabos ou fichas

Em caso de deterioração do cabo da corrente, este deverá ser substituído por um cabo de corrente especial, disponível a partir do fabricante ou do serviço de apoio ao cliente do fabricante. Destrua os cabos ou fichas usados imediatamente após a sua substituição por novos. É perigoso ligar a ficha de um cabo frouxo a uma tomada.

### Utilização de cabos de prolongamento

Apenas use cabos de prolongamento aprovados que sejam adequados para a potência da máquina. A espessura mínima dos fios condutores é de 1,5 mm<sup>2</sup>. Quando usar um cabo de prolongamento enrolado, desenrole sempre o cabo completamente.

## 2. INFORMAÇÕES SOBRE A MÁQUINA

### Utilização pretendida

A serra de cortar foi concebida para cortar materiais de aço com vários formatos.

### Especificações técnicas

Tensão do sector	220V-240V~
Frequência de rede	50/60Hz
Alimentação	2.300 W
Velocidade nominal	4300/min
Potência de serra*	Ø 355mm x Ø 25.4mm
Pressão acústica $L_{PA}$	92 dB(A) K=3
Potência acústica $L_{WA}$	105 dB(A) K=3
Vibração $a_{h,AG}$	2.90+1.5 m/s <sup>2</sup>
Peso	15.8kg

### Capacidade máxima de corte a 90°

- Retangular	115mm x 125mm
- Forma em L	135mm x 135mm
- Circular de	Ø 125mm

### Capacidade máxima de corte a 45°

- Retangular	110mm x 102mm
- Forma em L	110mm x 110mm
- Circular de	Ø 110mm

\* Em alguns países, o disco de corte não está incluído.

### Nível de vibração

O nível de emissão de vibrações indicado neste manual de instruções foi medido de acordo com um teste padrão indicado em EN 62841; pode ser utilizado para comparar uma ferramenta com outra e como avaliação preliminar da exposição à vibração quando utilizar a ferramenta para as aplicações mencionadas

- utilizando a ferramenta para outras aplicações ou com outros acessórios com uma manutenção deficiente, pode aumentar consideravelmente o nível de exposição
- quando a ferramenta é desligada ou quando está a funcionar, mas não efectua o trabalho correctamente, pode reduzir consideravelmente o nível de exposição

Proteja-se contra os efeitos da vibração, através de uma manutenção da ferramenta e os respectivos acessórios, mantendo as mãos quentes e organizar os seus padrões de trabalho.

## Descrição

Os números indicados no texto dizem respeito aos diagramas nas páginas 2-5.

### Fig. A.

1. Proteção de segurança superior
2. Proteção de segurança amovível
3. Disco de corte  
(\*não incluído em todos os modelos)
4. Defletor de faíscas
5. Grampo da peça de trabalho

### Fig. B.

6. Punho da pega
- 7a. Interruptor para ligar/desligar
- 7b. Botão de desbloqueio
8. Tampa da escova de carbono
9. Botão de bloqueio do veio
- 10A. Parafuso do batente de profundidade
- 10B. Porca do batente de profundidade
11. Pino de bloqueio de transporte
12. Grampo traseiro da peça de trabalho
13. Grampo dianteiro da peça de trabalho
14. Alavanca do batente
15. Veio da peça de trabalho
16. Chave de substituição do disco

### Fig. C.

3. Disco de corte
17. Veio da máquina
18. Anilha interior grande
19. Anilha exterior grande
20. Anilha pequena
21. Parafuso do disco

## 3. FUNCIONAMENTO



Antes de substituir as lâminas ou regular a máquina, retire primeiro a ficha de alimentação da tomada de parede.

### Retirar o bloqueio para o transporte

#### Fig. B

A máquina tem um pino de segurança de transporte (11) que mantém a respetiva posição baixa e facilita o transporte do dispositivo e o armazenamento. O botão de bloqueio impede o movimento ascendente/descendente da serra. Além disso, deve ser desativado antes de utilizar a serra.

- Retire o bloqueio de transporte empurrando a máquina ligeiramente para baixo. Enquanto empurra para baixo, o pino de segurança de transporte (11) pode ser puxado para fora com a outra mão.
- Depois do pino (11) ter sido retirado, é possível deslocar a máquina para cima e para baixo.

### Ativar o bloqueio de transporte

#### Fig. B

- Empurre a máquina para a posição mais baixa possível.
- Em seguida, empurre o pino de segurança de transporte (11) até encaixar no respetivo local.

### Adicionar/retirar um disco de corte

#### Fig. A, B, C.



*Retire sempre a ficha de alimentação antes de substituir os discos*



*Quando substituir os discos, verifique sempre as instruções de segurança relacionadas*

### Retirar um disco de corte

Retire a chave de disco (16) da base da máquina

- Retirar o disco é mais fácil se a proteção de segurança amovível (2) for movida para cima.
- Prima o botão de fixação do veio (9) para bloquear o movimento do veio da máquina.
- Mantenha premido o botão de fixação do veio (9). Coloque a chave (16) no parafuso do disco e rode-a ligeiramente até o botão (9) ser empurrado ao máximo e a rotação do veio ser bloqueada.
- Retire o parafuso (21), a anilha pequena (20), a anilha exterior grande (19)
- Em seguida, retire o disco de corte (3)

### Montar um disco de corte

- Se ainda não o tiver feito, retire o parafuso (21) rodando-o para a esquerda e depois retire a anilha pequena (20) e a anilha exterior grande (19).
- Insira o disco de corte (3) no veio da máquina.
- Adicione primeiro a anilha exterior grande (19), depois a anilha pequena (20) e depois o parafuso de fixação (21) de acordo com a Fig. C e aperte-o à mão até o veio começar a rodar.
- Prima o botão de fixação do veio (9) para bloquear o movimento do veio da máquina.
- Mantenha premido o botão de fixação do veio (9).

Insira a chave (16) no parafuso do disco e depois rode-o ligeiramente para a direita.

- Quando a fixação do veio impede a rotação, aperte o parafuso do disco com a chave (16).
- Afrouxe o botão de fixação do veio e certifique-se de que o botão de fixação do veio já não está a bloquear o veio.

### Em seguida, verifique se a roda está montada corretamente:

- Rode o disco (3) à mão algumas vezes para verificar se a rodar livremente e se está bem alinhado.
- Ligue a máquina e deixe-a a funcionar durante pelo menos 3 minutos.

### Interruptor para ligar/desligar

#### Fig. B

O interruptor para ligar/desligar (7) é ativado através da pressão manual do interruptor de gatilho. A ligação é cortada se libertar o interruptor novamente.

### O grampo da peça de trabalho (5)

#### Fig. A, B, D

- Coloque o material da peça de trabalho entre o grampo dianteiro (13) e o grampo traseiro (12).
- Levante o batente (14), como indicado na Fig. D. e rode a pega em forma de parafuso (15) para a frente até o grampo dianteiro (13) tocar na peça de trabalho.
- Em seguida, mova o batente (14) para baixo (para fixar o veio) e ficar a peça com firmeza rodando a pega em forma de parafuso (15).

### Cortar em ângulo

#### Fig. E

A máquina permite fazer cortes em ângulos de 00 a 450 ajustando o grampo traseiro (12).

- Afrouxe os 2 parafusos de cabeça sextavada M10 (22 e 23) que fixam o grampo traseiro (12) até o torno se conseguir mover.
- Em seguida, regule o grampo traseiro (12) para o ângulo correto e aperte ambos os parafusos (22 e 23) novamente.

### Mover o torno traseiro (para cortar peças maiores)

#### Fig. F

O torno tem capacidade para uma peça com um tamanho máximo de 160 mm fornecida de fábrica. O torno pode ser ajustado na parte de

trás para permitir uma peça de 195 mm, como indicado na imagem à direita (Fig. F).

- Afrouxe os 2 parafusos hexagonais M10 (22 e 23) no grampo traseiro (12) por completo.
- Mova o grampo (12) para trás e aperte os parafusos (22 e 23) nos orifícios de ligação traseira novamente.

#### **Ajustar o batente de profundidade:**

##### **Fig. B**

A máquina está equipada com um parafuso do batente de profundidade. Este parafuso permite ajustar a profundidade máxima de corte.

- Se for necessário ajustar a profundidade máxima de corte, afrouxe a porca inferior (10B) e depois ajuste a regulação de profundidade rodando o parafuso superior (10A) para as posições pretendidas.
- Em seguida, fixe a porca inferior (10B) novamente.

#### **Procedimento de corte:**

Para cortar o material efetue sempre o seguinte procedimento:

- Verifique se a peça está fixada e bem suportada antes de ligar a máquina.
- Ligue a máquina na posição superior, deixe-a a funcionar durante alguns instantes até atingir a velocidade máxima.
- Verifique se a lâmina está a rodar livremente e sem vibração.
- Mova a máquina com cuidado para baixo até tocar no material.
- Continue a empurrar a pega ligeiramente, verifique se a velocidade da lâmina não diminui.
- Liberte o interruptor para ligar/desligar após o corte e desloque a máquina para cima com cuidado.
- Só deve remover a peça quando o disco de corte parar por completo.



*Não aplique força excessiva na pega durante o corte. Se o fizer a lâmina e a máquina ficam desgastadas mais depressa. Além disso, o corte não é mais rápido.*

#### **Inspeccionar e substituir as escovas de carbono**

O motor tem 2 escovas de carbono que se desgastam durante a utilização. É importante

verificar o estado das escovas de carbono. Se estiverem gastas, o desempenho pode ser afetado e podem ocorrer danos no motor.

#### *Retirar as escovas de carbono*

##### *Fig. B.*

- Verifique se a ficha de alimentação foi retirada da tomada de parede.
- Retire a tampa da escova de carvão (8).
- Puxe ligeiramente a mola para retirar as escovas de carbono.
- Verifique se as escovas apresentam sinais de desgaste. Se a escova de carbono tiver menos de 6 mm, isso significa que está gasta e tem de ser substituída de imediato.
- Repita o procedimento no outro lado.

#### *Inserir as escovas de carbono novamente*

##### *Fig. B.*

- Verifique se a ficha de alimentação foi retirada da tomada de parede.
- Insira as escovas de carbono e empurre a mola de novo para o mesmo local.
- Coloque a tampa da escova de carbono (8) mantendo a mola premida e depois rode a tampa para a direita.
- Depois de colocar de novo ambas as escovas de carbono, verifique se a máquina está a funcionar corretamente sem faíscas.



*Substitua sempre as duas escovas de carbono.*

## **4. MANUTENÇÃO**



*Antes de efectuar a limpeza e a manutenção, desligue sempre a máquina e retire a ficha da tomada de corrente.*

Limpe a carcaça da máquina com regularidade com um pano macio, de preferência após cada utilização. Certifique-se de que as aberturas de ventilação não têm pó ou sujidade. Retire a sujidade muito persistente com um pano macio humedecido com água de sabão. Não utilize solventes, como gasolina, álcool, amoníaco, etc. Este tipo de produtos químicos danificam os componentes sintéticos.

## GARANTIA

As condições da garantia estão disponíveis no cartão da garantia fornecido em separado.

## AMBIENTE



*Os aparelhos eléctricos ou electrónicos defeituosos e/ou eliminados devem ser recolhidos em locais de reciclagem adequados.*

### Apenas para os países da CE

Não elimine as ferramentas eléctricas em conjunto com os resíduos domésticos. De acordo com a directiva europeia 2012/19/EU sobre resíduos de equipamentos eléctricos e electrónicos e a respectiva implementação na legislação nacional, as ferramentas eléctricas que já não sejam utilizadas devem ser recolhidas em separado e eliminadas de maneira ecológica.

**O equipamento e o manual do utilizador estão sujeitos a alterações sem aviso prévio. As especificações podem ser alteradas sem aviso prévio.**

## Troncatrice 2300W - 355mm COM1007P

Grazie per avere acquistato questo prodotto Ferm. Ora possiedi un prodotto eccellente, offerto da uno dei principali fornitori europei. Tutti i prodotti Ferm sono realizzati nel rispetto dei più rigorosi standard prestazionali e di sicurezza. Quale parte della nostra filosofia offriamo inoltre un servizio di assistenza ai clienti eccellente, supportato da una garanzia completa. Ci auguriamo che possiate utilizzare con soddisfazione questo prodotto per molti anni.

## 1. ISTRUZIONI DI SICUREZZA



**Leggere le avvertenze di sicurezza contenute nel presente manuale, le avvertenze di sicurezza aggiuntive e le istruzioni.** *La mancata osservanza delle avvertenze di sicurezza e delle istruzioni potrebbe causare scosse elettriche, incendi e/o lesioni gravi.* **Conservare le avvertenze di sicurezza e le istruzioni per una futura consultazione.**

I simboli riportati di seguito vengono utilizzati all'interno del manuale per l'utente oppure sono indicati sul prodotto:



*Leggere il manuale per l'utente.*



*Denota il rischio di lesioni personali, morte o danni all'utensile in caso di mancata osservanza delle istruzioni contenute nel presente manuale.*



*Rischio di scosse elettriche.*



*Staccare immediatamente la spina del cavo di alimentazione dalla presa di corrente se il cavo è danneggiato e durante le operazioni di pulizia e di manutenzione.*



*Solo per uso interno.*



*Apparecchio di Classe II - Doppio isolamento - Non è necessario il collegamento a terra.*



*Indossare sempre occhiali protettivi!*



*Indossare protezioni per l'udito.*



*Indossare guanti di protezione.*



*Rischio di oggetti volanti. Tenere lontano chiunque si trovi nelle vicinanze dall'area di lavoro.*



*Il prodotto è conforme alle norme di sicurezza vigenti ai sensi delle direttive europee.*

## **Istruzioni di sicurezza per le troncatrici a disco abrasivo - Istruzioni per il taglio**

1. Per eseguire un taglio utilizzare sempre solo il bordo tagliente (mai il lato) del disco. Evitare di esercitare una pressione laterale sul disco, e in particolare di farlo inceppare.
2. Tenere le mani e il corpo lontano dal disco di taglio. Mentre si esegue un taglio con la macchina, non indossare indumenti larghi che potrebbero rimanervi impigliati.
3. Trattare la troncatrice a disco abrasivo con cura, senza farla mai cadere, e conservarla sempre in un luogo asciutto e sicuro. Evitare di esporre la macchina a temperature e umidità eccessive.
4. Assicurarsi che tutte le flange del disco e le altre parti montate siano in buone condizioni e assemblate secondo le istruzioni. Eventuali parti danneggiate o mancanti possono provocare il danneggiamento del disco. Utilizzare sempre le flange fornite con la macchina.
5. Non lavorare mai con dischi danneggiati, perché può essere pericoloso. Quando si sostituisce il disco, spegnere prima la macchina. Ruotare il disco manualmente e controllare che non presenti irregolarità, torsioni o tagli. In presenza di tali difetti, rimuovere il disco e sostituirlo con uno nuovo. Sostituire il disco anche se dovesse cadere sul pavimento. Potrebbe essere diventato fragile anche se non presenta alcun danno apparente.
6. Prima di iniziare a tagliare, eseguire una prova di funzionamento: fare un passo indietro, accendere il motore e assicurarsi che il disco funzioni correttamente. Dopo la sostituzione del disco, lasciare in funzione la troncatrice a vuoto per tre minuti, dopodiché prima di svolgere qualsiasi lavoro di routine, eseguire una prova di funzionamento per un minuto.
7. Mentre la macchina è in funzione, non tentare mai di rimuovere o bloccare il pezzo in lavorazione. Attendere sempre che il disco si arresti completamente prima di rimuovere qualsiasi pezzo o modificare le impostazioni.
8. Prima di installarlo, ispezionare sempre il disco rinforzato con resina e gomma per verificare che non presenti dei tagli.
9. Effettuare sempre una verifica incrociata tra la velocità operativa massima della troncatrice a disco abrasivo e la velocità massima del motore consentita. Non superare mai la velocità operativa massima consentita indicata sul disco.
10. Non tentare mai di montare un disco sulla macchina in maniera forzosa, né di modificare la dimensione degli assi. Non usare mai dischi non adatti. Usare esclusivamente dischi adeguati alla macchina.
11. Non tentare di fissare lame da sega alla macchina, perché essa non è concepita per tagliare il legno.
12. Non iniziare a tagliare fino a quando il motore non avrà raggiunto il suo pieno regime.
13. Nel caso in cui durante l'uso della macchina, il disco smetta di girare o il motore emetta un rumore indice di un sovraccarico, spegnere immediatamente la macchina.
14. Tenere gli oggetti facilmente infiammabili o fragili lontano dalla macchina. L'operatore della macchina deve evitare che le proprie mani, il viso e i piedi vengano a contatto con le scintille che si sprigionano durante il taglio.
15. Posizionare saldamente la macchina su una superficie piana e uniforme.
16. Azionare la macchina utilizzando esclusivamente la tensione di alimentazione indicata sulla targhetta dei valori nominali.
17. Non toccare mai un pezzo appena tagliato.



Lasciarlo sempre prima raffreddare.

18. Non tentare mai di tagliare pezzi che superino le dimensioni consentite.
19. Mentre si esegue un taglio, non posizionarsi mai nella direzione di taglio. Rimanere sempre da un lato.
20. Lasciare sempre installati i dispositivi di sicurezza.
21. Assicurarsi sempre di eseguire i tagli lentamente e con attenzione. Evitare di applicare il disco sul pezzo in lavorazione con un movimento a strappi.
22. Non spingere mai il pezzo in lavorazione nella direzione del disco tenendolo fermo con le mani. Usare sempre la morsa per bloccare il pezzo in lavorazione.
23. Tenere le mani lontane dal disco di taglio. Non tagliare mai pezzi in cui è richiesto un supporto manuale a una distanza inferiore di 15 cm dal disco che gira.
24. Assicurarsi che il pezzo in lavorazione sia sostenuto in modo adeguato.
25. Non usare mai fluidi da taglio. Tali fluidi potrebbero incendiarsi o provocare una scarica elettrica.
26. Non tagliare pezzi in ghisa.
27. Non tagliare pezzi in plastica, legno o materiali sintetici.
28. Non tagliare pezzi in magnesio

## Norme elettriche di sicurezza

Quando utilizar máquinas eléctricas deve sempre respeitar as normas de segurança em vigor no local, devido ao perigo de incêndio, de choques eléctricos ou ferimentos pessoais. Para além das instruções abaixo, leia também as instruções de segurança apresentadas no folheto de segurança em anexo. Guarde as instruções num lugar seguro!



*Accertarsi sempre che l'alimentazione elettrica corrisponda alla tensione indicata sulla targhetta dei dati caratteristici.*



*Macchina classe II - Doppio isolamento - Non è necessaria la messa a terra.*

## Substituição de cabos ou fichas

Em caso de deterioração do cabo da corrente, este deverá ser substituído por um cabo

de corrente especial, disponível a partir do fabricante ou do serviço de apoio ao cliente do fabricante. Destrua os cabos ou fichas usados imediatamente após a sua substituição por novos. É perigoso ligar a ficha de um cabo frouxo a uma tomada.

## Uso di cavi di prolunga

L'affilatrice è equipaggiata di un filo di alimentazione a tre conduttori e una presa con la messa a terra, Ecco perché si deve sempre utilizzare una presa di corrente con la messa a terra. Se avete bisogno di una prolunga si deve utilizzare una prolunga a tre conduttori con messa a terra provvista di una presa e di una spina femmina provviste di una messa a terra. La misura minima del conduttore è di 1,5 mm<sup>2</sup>.

## 2. INFORMAZIONI RELATIVE ALL'APPARECCHIO

### Uso previsto

La troncatrice a disco abrasivo è stata concepita per tagliare pezzi in acciaio di varie forme.

### Dati tecnici

Tensione di rete	220V-240V~
Frequenza di rete	50/60Hz
Potenza assorbita	2.300 W
Velocità nominale	4300/min
Dimensi lama di sega*	Ø 355mm x Ø 25.4mm
Pressione sonora L <sub>PA</sub>	92 dB(A) K=3
Potenza sonora L <sub>WA</sub>	105 dB(A) K=3
Vibrazioni a <sub>h,AG</sub>	2.90+1.5 m/s <sup>2</sup>
Peso	15.8kg

### Capacità di taglio massima a 90°

- Forma rettangolare	115mm x 125mm
- Forma a L	135mm x 135mm
- Forma circolare	Ø 125mm

### Capacità di taglio massima a 45°

- Forma rettangolare	110mm x 102mm
- Forma a L	110mm x 110mm
- Forma circolare	Ø 110mm

\* In alcuni Paesi il disco di taglio non è incluso.

### Livello di emissione di vibrazioni

Il livello di emissione di vibrazioni indicato nel presente manuale d'istruzioni è stato misurato in base al test standardizzato previsto dalla normativa EN 62841; può essere utilizzato per

confrontare vari apparecchi fra loro e come valutazione preliminare dell'esposizione alle vibrazioni quando si utilizza l'utensile per le applicazioni menzionate.

- L'uso dell'utensile per applicazioni o con accessori diversi o in condizioni di scarsa manutenzione, potrebbe aumentare notevolmente il livello di esposizione a vibrazioni.
- I momenti in cui l'utensile è spento o quando è acceso ma non viene utilizzato potrebbero ridurre sensibilmente il livello di esposizione a vibrazioni.

Proteggersi contro gli effetti delle vibrazioni sottoponendo l'utensile e i relativi accessori a regolare manutenzione, evitare il raffreddamento delle mani, organizzare opportunamente i turni di lavoro.

## Descrizione

I numeri che compaiono nel testo si riferiscono agli schemi riportati alle pagine 2-5.

### Fig. A.

1. Protezione superiore
2. Protezione mobile
3. Disco di taglio (\*non incluso in tutti i modelli)
4. Parascintille
5. Morsa di bloccaggio del pezzo in lavorazione

### Fig. B.

6. Impugnatura del manico
- 7a Interruttore di accensione/spengimento (On/Off)
- 7b Pulsante di sicurezza
8. Coperchio spazzole in carbonio
9. Pulsante di blocco mandrino
- 10A. Bullone del fermo di profondità
- 10B. Dado del fermo di profondità
11. Perno di blocco per trasporto
12. Ganascia posteriore di bloccaggio pezzo in lavorazione
13. Ganascia anteriore di bloccaggio pezzo in lavorazione
14. Leva del fermo
15. Vite morsa
16. Chiave per sostituzione disco

### Fig. C.

3. Disco di taglio
17. Alberino della macchina
18. Rondella grande interna
19. Rondella grande esterna
20. Rondella piccola
21. Bullone di fissaggio del disco

## 3. UTILIZZO



*Prima di cambiare le lame o di registrare la macchina, staccare la spina dalla presa di corrente.*

### Rimozione del blocco per trasporto

#### Fig. B

La troncatrice è dotata di un perno di blocco per il trasporto (11) che la mantiene ferma in posizione abbassata, agevolandone il trasporto e lo stoccaggio. Il pulsante di blocco impedisce il movimento verso l'alto/il basso della troncatrice e deve essere disattivato prima di utilizzarla.

- Rimuovere il blocco per trasporto premendo leggermente la macchina verso il basso. Mentre si preme in giù la macchina, è possibile estrarre il perno di blocco per trasporto (11) con l'altra mano.
- Una volta estratto il perno (11), la troncatrice può muoversi verso l'alto o verso il basso liberamente.

### Attivazione del blocco per trasporto

#### Fig. B

- Premere in giù la macchina, fino alla sua posizione più bassa.
- Quindi premere il perno di blocco per trasporto (11) fino a quando scorre in posizione.

### Aggiunta/rimozione di un disco di taglio

#### Figg. A, B e C



*Prima di sostituire i dischi, staccare la spina dalla presa di corrente.*



*Quando si sostituiscono i dischi verificare sempre le istruzioni di sicurezza correlate.*

### Rimozione di un disco di taglio

- Prendere la chiave per il disco (16) dalla base della macchina.
- La rimozione del disco è più semplice se la protezione mobile (2) viene sollevata.
- Premere il pulsante di bloccaggio dell'alberino (9) per bloccare il movimento dell'alberino della macchina.
- Tenere premuto il pulsante di bloccaggio dell'alberino (9).  
Posizionare la chiave (16) sul bullone del disco e ruotarlo leggermente finché il pulsante (9) è premuto al massimo verso l'interno e la rotazione dell'alberino è bloccata.
- Rimuovere il bullone (21), la rondella piccola (20) e la rondella grande più esterna (19)
- Quindi rimuovere il disco di taglio (3).

### Montaggio di un disco di taglio

- Se non dovesse ancora essere stato fatto, rimuovere il bullone di fissaggio (21) ruotandolo in senso antiorario, quindi rimuovere la la rondella piccola (20) e la rondella grande più esterna (19).
- Collocare il disco di taglio (3) sull'alberino della macchina.
- Inserire per prima la rondella grande più esterna (19), quindi la rondella piccola (20) e infine il bullone di fissaggio (21), come illustrato nella Fig. C, quindi stringerlo manualmente fino a quando l'alberino inizia a girare.
- Premere il pulsante di bloccaggio dell'alberino (9) per bloccare il movimento dell'alberino della macchina.
- Tenere premuto il pulsante di bloccaggio dell'alberino (9).  
Posizionare la chiave (16) sul bullone di fissaggio del disco e ruotarlo leggermente in senso orario.
- Se il blocco dell'alberino ferma la rotazione, stringere il bullone di fissaggio del disco utilizzando la chiave (16).
- Allentare il pulsante di bloccaggio dell'alberino e assicurarsi che non fermi più la rotazione,

*Quindi verificare che il disco sia assemblato correttamente:*

- fare compiere alcuni giri al disco (3) manualmente per controllare che ruoti liberamente e sia ben allineato;

- accendere la macchina e lasciarla in funzione a vuoto per almeno 3 minuti.

### Interruttore di accensione/spengimento (On/Off) Fig. B

L'interruttore On/Off (7) viene attivato tirando manualmente il grilletto di azionamento e disattivato rilasciando di nuovo il grilletto.

### Morsa di bloccaggio del pezzo in lavorazione (5) Fig. A, B e D

- Collocare il pezzo in lavorazione tra la ganaschia anteriore (13) e la ganaschia posteriore (12).
- Sollevare il fermo (14) come illustrato nella Fig. D. e ruotare in avanti la manovella della vite (15) fino a quando la ganaschia anteriore (13) tocca il pezzo in lavorazione.
- Successivamente abbassare il fermo (14) (per bloccare l'alberino) e fissare saldamente il pezzo in lavorazione, ruotando la manovella della vite (15).

### Taglio angolato

#### Fig. E

La macchina permette di eseguire tagli con angoli da 00° a 45° regolando la posizione della ganaschia posteriore della morsa (12).

- Allentare i 2 bulloni a testa esagonale M10 (22 e 23) che trattengono la ganaschia posteriore (12) fino a quando è possibile spostarla.
- Ruotare la ganaschia posteriore (12) secondo l'angolo desiderato e stringere nuovamente entrambi i bulloni (22 e 23).

### Spostamento della ganaschia posteriore (per tagliare pezzi più grandi)

#### Fig. F

La morsa consente di bloccare pezzi da tagliare di grandi dimensioni fino a 160 mm quando viene spedita dalla fabbrica. Essa consente di spostare indietro il morsetto posteriore per consentire il bloccaggio di pezzi di 195 mm, come illustrato nell'immagine a destra (Fig. F).

- Allentare completamente i 2 bulloni a testa esagonale M10 (22 e 23) sulla ganaschia posteriore (12).
- Spostare indietro la ganaschia posteriore (12) e stringere nuovamente i bulloni (22 & 23) fissandoli ai fori di collegamento posteriori.

### Regolazione del fermo di profondità:

#### Fig. B

La macchina è dotata di un bullone di fermo profondità, con cui è possibile regolare la profondità di taglio massima.

- Se la profondità di taglio deve essere regolata, allentare il dado inferiore (10B) e regolare la profondità ruotando il bullone superiore (10A) nelle posizioni desiderate.
- Una volta regolata la profondità stringere di nuovo il dado inferiore (10B).

### Procedura di taglio:

Per tagliare il materiale attendersi sempre alla procedura descritta di seguito:

- Prima di avviare la macchina, assicurarsi che il pezzo da lavorare sia fissato nella morsa e saldamente sostenuto.
- Avviare la macchina con la testa alzata e farla funzionare a vuoto per qualche istante, finché raggiunge la velocità massima.
- Assicurarsi che la lama ruoti liberamente, senza vibrazioni.
- Abbassare delicatamente la testa della macchina fino a quando la lama tocca il pezzo in lavorazione.
- Tenere premuta l'impugnatura esercitando poca forza e assicurandosi che la velocità della lama non si riduca.
- Una volta eseguito il taglio, rilasciare l'interruttore On/Off e sollevare la testa della macchina con delicatezza.
- Rimuovere il pezzo in lavorazione solo dopo che il disco di taglio si è arrestato completamente.



*Durante l'esecuzione di un taglio non applicare una forza eccessiva sull'impugnatura. La lama e la macchina si usurerebbero più rapidamente e, in ogni caso, la velocità di taglio non aumenta.*

### Verifica e sostituzione delle spazzole in carbonio

Il motore è dotato di 2 spazzole in carbonio soggette a usura durante l'uso. Verificare lo stato di usura delle spazzole in carbonio è importante: una spazzola in carbonio usurata può comportare cattive prestazioni e danni al motore.

### Rimozione delle spazzole in carbonio

#### Fig. B

- Assicurarsi che la spina sia scollegata dalla presa di corrente a muro.
- Rimuovere il coperchio delle spazzole in carbonio (8).
- Estrarre le spazzole in carbonio tirando delicatamente la molla.
- Verificare lo stato di usura del blocco spazzole. Se rimangono meno di 6 mm, la spazzola è consumata e deve essere sostituita immediatamente.
- Ripetere l'operazione dall'altro lato.

### Reinstallazione delle spazzole in carbonio

#### Fig. B

- Assicurarsi che la spina sia scollegata dalla presa di corrente a muro.
- Inserire le spazzole in carbonio e riposizionare la molla in sede.
- Aggiungere il coperchio delle spazzole in carbonio (8) tenendo premuta la molla e ruotare il coperchio in senso orario.
- Dopo che entrambe le spazzole in carbonio sono state reinstallate, provare se la macchina funziona in modo fluido, senza produrre scintille.



*Sostituire sempre entrambe le spazzole in carbonio.*

## 4. MANUTENZIONE



*Prima di eseguire qualsiasi operazione di pulizia e intervento di manutenzione spegnere sempre l'elettrotensile e staccare la spina dalla presa di corrente.*

Pulire regolarmente il corpo dell'elettrotensile con un panno morbido, preferibilmente dopo ogni uso. Assicurarsi che le prese d'aria siano libere da polvere e sporcizia. Rimuovere lo sporco particolarmente ostinato con un panno morbido inumidito con acqua e sapone. Non utilizzare solventi come benzina, alcol, ammoniaca, ecc. Le sostanze chimiche di questo tipo danneggiano i componenti sintetici.

## GARANZIA

Le condizioni della garanzia possono essere consultate sul foglio di garanzia separato allegato al presente manuale.

## RISPETTO AMBIENTALE



*Le apparecchiature elettriche o elettroniche difettose e/o scartate devono essere raccolte presso gli opportuni siti di riciclaggio.*

### Solo per i Paesi CE

Non smaltire gli elettrodomestici insieme ai rifiuti domestici. Secondo la Direttiva europea 2002/96/EC sui rifiuti delle apparecchiature elettriche ed elettroniche e relativa implementazione nelle normative locali, gli elettrodomestici ormai inutilizzabili devono essere raccolti separatamente e smaltiti in modo ecologico.

**Il prodotto e il manuale per l'utente sono soggetti a modifiche. I dati tecnici possono essere modificati senza ulteriore notifica.**

## Katkaisusaha 2300W - 355mm COM1007P

Kiitämme tämän Ferm-tuotteen hankkimisesta. Olette hankkineet erinomaisen tuotteen, jonka tarjoaa yksi Euroopan johtavista toimittajista. Kaikki Fermin valmistamat tuotteet on valmistettu korkeimpien suorituskykyä ja turvallisuutta koskevien standardien mukaisesti. Osana filosofiaamme tarjoamme myös korkealuokkaisen asiakaspalvelun sekä kaiken kattavan takuun. Toivomme, että nautitte tämän tuotteen käytöstä monien vuosien ajan.

## 1. TURVALLISUUSOHJEET



**Lue tämän ohjekirjan varoitukset, lisäturvallisuusohjeet ja ohjeet.**

*Jos turvallisuusvaroituksia ja ohjeita ei noudateta, seurauksena voi olla sähköisku, tulipalo ja/tai vakava henkilövahinko. **Säilytä turvallisuusvaroitukset ja ohjeet tulevaa käyttöä varten.***

Ohjekirjassa ja tuotteessa käytetään seuraavia merkkejä:



*Lue ohjekirja.*



*Ilmoittaa henkilövahingon, kuoleman tai työkalun vaurioitumisen vaarasta, jos tämän ohjekirjan ohjeita ei noudateta.*



*Sähköiskun vaara.*



*Ilrota pistoke välittömästi pistorasiasta, jos virtajohto vaurioituu sekä puhdistuksen ja huoltamisen ajaksi.*



*Tarkoitettu vain sisäkäyttöön*



*Luokan II kone - Kaksoiseristys – Maadoitettu pistoke ei ole tarpeen.*



*Käytä aina suojalaseja!*



*Käytä kuulonsuojaimia.*



Käytä suojakäsineitä.



Sinkoavien osien vaara. Pidä ulkopuoliset  
kaukana työalueelta.



Tuote täyttää Euroopan direktiivien  
soveltuvien turvallisuusstandardien  
vaatimukset.

## Katkaisusahan turvaohjeet – Leikkausohjeet

- Käytä leikkaamiseen aina ainoastaan laikan leikkausreunaa (älä koskaan käytä laikan sivua). Vältä kohdistamasta laikkaan voimaa ja erityisesti sen pysäyttämistä.
- Pidä kädet ja keho kaukana laikasta. Älä käytä löysiä vaatteita koneen käytön aikana, muutoin ne voivat jäädä koneeseen kiinni.
- Käsittele katkaisusahaa huolellisesti, vältä sen putoamista ja säilytä sitä aina turvallisessa ja kuivassa paikassa.  
Vältä liian korkeita lämpötiloja ja liiallista kosteutta.
- Varmista, että kaikki laikan laipat ja muut osat ovat hyväkuntoisia ja asennettu oikein paikoilleen ohjeiden mukaisesti. Laikka voi vaurioitua, jos koneen osissa on vaurioita tai ne ovat pois paikoiltaan. Käytä aina koneen mukana toimitettuja laippoja.
- Älä koskaan käytä vaurioituneita laikkoja, muutoin seurauksena voivat olla vaaratilanteet. Kytke kone pois päältä ennen laikan vaihtoa. Kierrä laikkaa käsin ja tarkista se epätasaisuuksien, vääristymien ja lovien varalta. Mikäli havaitset näitä vaurioita, poista laikka ja vaihda se uuteen. Vaihda laikka myös silloin, jos se on pudonnut maahan. Sen kunto on voinut heikentyä, vaikka se olisi ulkoisesti ehjä.
- Suorita käyttötesti ennen kuin aloitat leikkaustoimenpiteet: astu taaksepäin, käynnistä moottori ja varmista laikan oikeaoppinen toiminta.  
Anna sahan käydä kolmen minuutin ajan laikan vaihtamisen jälkeen. Anna sen jälkeen koneen käydä yhden minuutin ajan aina ennen normaalia käyttöä.
- Älä koskaan yritä poistaa työstökappaletta tai kiinnittää sitä koneen ollessa käynnissä. Odota, että laikka pysähtyy kokonaan ennen työstökappaleen poistamista tai asetuksien säätämistä.
- Tarkista hartsilla ja kumilla käsitelty laikka aina ennen sen asentamista lovien varalta.
- Tarkista aina, että laikan maksimikäyttönopeus vastaa moottorin maksiminopeutta. Älä koskaan ylitä laikassa ilmoitettua maksimikäyttönopeutta.
- Älä koskaan yritä asentaa laikkaa koneeseen voimalla tai vaihtaa akselien kokoa. Älä koskaan käytä laikkoja, jotka eivät sovi koneeseen. Käytä ainoastaan koneeseen sopivia laikkoja.
- Älä yritä asentaa koneeseen sahanteriä, sillä sitä ei ole tarkoitettu puun sahaamiseen.
- Älä aloita leikkaamista ennen kuin kone on saavuttanut täyden nopeuden.
- Jos laikka ei enää pyöri tai moottori ylikuormittuu koneen käytön aikana, sammuta kone välittömästi.
- Pidä helposti syttyvät tai arkalaatuiset esineet kaukana koneesta. Koneen käyttäjän tulee varoa, etteivät leikkauksen aikana syntyvät kipinät kohdistu käyttäjän käsiin, kasvoihin tai jalkoihin.
- Aseta kone tukevasti tasaiselle alustalle.
- Käytä konetta ainoastaan sen tyyppikilvessä ilmoitetulla jännitteellä.
- Älä koskaan kosketa katkaistuun kappaleeseen, anna sen aina jäähtyä ensin.
- Älä koskaan yritä leikata työstökappaleita, jotka ovat kooltaan sallittua maksimikokoa suurempia.
- Älä koskaan aseta kehoa leikkaussuuntaan koneen käytön aikana. Pysy aina yhdellä puolella konetta.
- Varmista, että turvalaitteet ovat aina paikoillaan.
- Leikkaa aina hitaasti ja varoen. Vältä kohdistamasta laikkaa työstökappaleeseen nykivin liikkein.
- Älä koskaan paina työstökappaletta laikkaa kohti pitäen sitä käsissä. Kiinnitä työstökappale aina kiinni kiinnittimen avulla.
- Pidä kädet kaukana katkaisulaikasta. Älä koskaan leikkaa työstökappaleita, jos niitä on tuettava käsin alle 15 cm:n etäisyydellä pyörivästä laikasta.

24. Varmista, että työstökappaletta tuetaan hyvin.  
25. Älä koskaan käytä leikkausnesteitä.

Kyseiset nesteet voivat syttyä tai aiheuttaa sähköiskuja.

26. Älä leikkaa valurautaa.  
27. Älä leikkaa muovia, puuta tai synteettisiä materiaaleja.  
28. Älä leikkaa magnesiumia.

## Sähköturvallisuus

Sähkölaitteita käytettäessä on aina noudatettava paikallisia turvamääräyksiä tulipalon, sähköiskujen ja loukkaantumisten välttämiseksi. Lue alla olevat ohjeet ja erilliset turvaohjeet huolellisesti. Säilytä nämä ohjeet!



*Tarkista aina, ovatko verkkojännite ja koneen tyyppikilvessä ilmoitettu jännite yhteen sopivia.*



*Luokan II kone – kaksoeristetty – maadoitettua pistorasiaa ei tarvita.*

## Johtojen ja pistotulppien vaihtaminen

Jos verkkojohto vahingoittuu, se on vaihdettava. Uusia, oikeanlaisia johtoja saa valmistajalta tai sen huoltopalvelusta. Hävitä vanhat johdot ja pistotulpat heti kun ne on vaihdettu uusiin. Irrallisen pistotulpan tai johdon kytkeminen pistorasiaan on vaarallista.

## Jatkojohtojen käyttö

Käytä vain virallisesti hyväksytyjä jatkojohtoja koneen teho huomioon ottaen. Johdon ytimien on oltava vähintään 1,5 mm<sup>2</sup>. Käytettäessä johtokelaa koko jatkojohto on vedettävä kelalta.

## 2. KONEEN TIEDOT

### Käyttötarkoitus

Katkaisusaha on tarkoitettu erimuotoisten teräsmateriaalien leikkaamiseen.

### Tekniset tiedot

Verkkojännite	220V-240V~
Verkkotaajuus	50/60Hz
Ottoteho	2.300 W
Nimellisa nopeus	4300/min
Terä kapasiteetti*	Ø 355mm x Ø 25.4mm
Äänipaine L <sub>PA</sub>	92 dB(A) K=3
Ääniteho L <sub>WA</sub>	105 dB(A) K=3

Tärinä a <sub>h,AG</sub>	2.90+1.5 m/s <sup>2</sup>
Paino	15.8kg

### Maksimileikkausteho 90° kulmassa

- Suorakulmainen	115mm x 125mm
- L-muotoinen	135mm x 135mm
- Pyöreä	Ø 125mm

### Maksimileikkausteho 45° kulmassa

- Suorakulmainen	110mm x 102mm
- L-muotoinen	110mm x 110mm
- Pyöreä	Ø 110mm

\* Joissakin maissa katkaisulaikka ei kuulu pakkaukseen.

## Tärinätaaso

Tässä ohjekirjassa annettu tärinätaaso on mitattu standardin EN 62841 mukaisen standardisoidun testin mukaisesti. Sen avulla voidaan verrata eri työkaluja ja sitä voidaan käyttää tärinälle altistumisen alustavaan arviointiin, kun työkalua käytetään mainittuihin käyttötarkoituksiin

- jos työkalua käytetään eri sovelluksiin tai erillä tai huonokuntoisilla lisävarusteilla, altistumistaso voi olla huomattavasti suurempi
- sammutusajat tai käyttämättömät ajat voivat huomattavasti laskea altistumistasoa.

Suojaudu tärinän vaikutuksilta ylläpitämällä työkalua ja sen lisävarusteita, pidä kädet lämpiminä ja käytä organisoituja työtoimenpiteitä.

## Kuvaus

Tekstin numerot viittaavat sivujen 2-5 kaavioihin.

### Kuva A.

1. Yläsuojus
2. Siirrettävä suojus
3. Katkaisulaikka (\*ei sisälly kaikkiin malleihin)
4. Kipinäohjain
5. Työstökappaleen kiinnitin

### Kuva B.

6. Kahva
- 7a. Virtakytkin
- 7b. Lukituspainike
8. Hiiliharjan suojus
9. Karan lukituspainike
- 10A. Syvyyden rajoituspultti
- 10B. Syvyyden rajoitusmutteri
11. Lukitustappi kuljetukseen
12. Työstökappaleen takakiinnitin

13. Työstökappaleen etukiinnitin
14. Pysäytysvipu
15. Työstökappaleen kara
16. Laikan vaihtoavain

#### Kuva C.

3. Katkaisulaikka
17. Koneen kara
18. Suuri sisempi aluslevy
19. Suuri ulompi aluslevy
20. Pieni aluslevy
21. Laikan pultti

### 3. KÄYTTÖ



*Irrota pistoke pistorasiasta ennen laikkojen vaihtamista ja koneen säätämistä.*

#### Kuljetuslukko

##### Kuva B

Koneessa on kuljetuksen lukitustappi (11), joka pitää sen matalassa asennossa laitteen kuljetuksen ja säilytyksen helpottamiseksi. Lukituspainike estää sahan liikkeen ylös-/alaspäin. Se on kytkettävä pois päältä ennen sahan käyttöä.

- Poista kuljetuslukko painamalla konetta hiukan alaspäin. Kun sitä painetaan alaspäin, kuljetuksen lukitustappi (11) voidaan vetää ulos toisella kädellä.
- Kun tappi (11) on vedetty ulos, kone voi liikkua ylös- ja alaspäin.

#### Kuljetuslukon kytkeminen toimintaan

##### Kuva B

- Paina konetta alas sen ala-asentoon.
- Paina sen jälkeen kuljetuksen lukitustappia (11), kunnes se liukuu paikoilleen.

#### Katkaisulaikan asentaminen/irrottaminen

##### Kuvat A, B, C.



*Irrota pistoke aina ennen laikkojen vaihtamista.*



*Tarkista vastaavat turvallisuusohjeet aina ennen laikkojen vaihtamista.*

#### Katkaisulaikan irrottaminen

- Ota laikka-avain (16) koneen jalustasta.
- Laikka on helpompi irrottaa, kun siirrettävä suojuus (2) on yläasennossa.
- Paina karan lukituspainiketta (9) koneen karan lukitsemiseksi paikoilleen.
- Pidä karan lukituspainiketta (9) alhaalla. Aseta avain (16) laikan pulttiin ja kierrä sitä hiukan, kunnes painike (9) on painettu sisään maksimiasentoon ja karan kierto estyy.
- Irrota pultti (21), pieni aluslevy (20) ja suuri ulkoinen aluslevy (19).
- Irrota sitten katkaisulaikka (3).

#### Katkaisulaikan asentaminen

- Jos tätä ei ole suoritettu vielä, irrota pultti (21) kiertämällä sitä vastapäivään ja irrota sen jälkeen pieni aluslevy (20) sekä suuri ulkoinen aluslevy (19).
- Aseta katkaisulaikka (3) koneen karaan.
- Asenna ensin suuri ulkoinen aluslevy (19), sen jälkeen pieni aluslevy (20) ja kiinnityspultti (21) kuvan C mukaisesti. Kiristä pultti käsin, kunnes kara alkaa pyöriä.
- Paina karan lukituspainiketta (9) koneen karan lukitsemiseksi paikoilleen.
- Pidä karan lukituspainiketta (9) alhaalla. Aseta avain (16) laikan pulttiin ja kierrä sitä hiukan myötäpäivään.
- Kun karan lukitus estää pyörimisen, kiristä laikan pultti avaimen (16) avulla.
- Löysää karan lukituspainiketta ja varmista, ettei karan lukituspainike estä enää karan liikettä.

*Tarkista sen jälkeen, onko laikka asennettu oikein:*

- Kierrä laikkaa (3) käsin muutaman kierroksen verran tarkistaen, että se pyörii vapaasti ja että se on kohdistunut oikein.
- Kytke kone päälle ja anna sen käydä vähintään 3 minuutin ajan.

#### Virtakytkin

##### Kuva B

Virtakytkin (7) kytketään päälle manuaalisesti liipaisimesta vetämällä. Virta katkaistaan vapauttamalla liipaisin.

#### Työstökappaleen kiinnitin (5)

##### Kuvat A, B, D

- Aseta työstökappale etukiinnittimen (13) ja takakiinnittimen (12) väliin.



- Nosta rajoitinta (14) kuvan D mukaisesti ja kierrä ruuvikahvaa (15) eteenpäin, kunnes etukiinnitin (13) koskettaa työstökappaletta.
- Siirrä rajoitin (14) sen jälkeen alas (karan lukitsemiseksi) ja kiinnitä työstökappale hyvin paikoilleen kiertämällä ruuvikahvaa (15).

### Leikkaaminen kaltevassa kulmassa

#### Kuva E

Koneella voidaan leikata 00-450 kulmassa takakiinnitintä (12) säätämällä.

- Löysää kahta takakiinnittimen (12) M10-kuusiopulttia (22 ja 23), kunnes ruuvipuristin liikkuu.
- Aseta sen jälkeen takakiinnitin (12) oikeaan kulmaan ja kiristä pultit (22 ja 23) uudelleen.

### Takaruuvipuristimen siirtäminen (suurempien työstökappaleiden leikkaamista varten)

#### Kuva F

Tehtaalta toimitettuun ruuvipuristimeen voidaan asentaa korkeintaan 160 mm:n työstökappaleita. Ruuvipuristinta voidaan säätää taaksepäin 195 mm:n työstökappaleita varten oikeanpuoleisen kuvan mukaisesti (kuva F).

- Löysää kaksi M10-kuusiopulttia (22 ja 23) kokonaan takakiinnittimessä (12).
- Siirrä kiinnitintä (12) taaksepäin ja kiinnitä pultit (22 ja 23) uudelleen takana oleviin reikiin.

### Syvyysrajoittimen säätäminen:

#### Kuva B

Koneessa on syvyyden rajoituspultti, jonka avulla voidaan säätää maksimileikkaussyvyys.

- Jos leikkaussyvyyden säätö on tarpeen, löysää alamutteria (10B) ja säädä syvyysasetusta kiertämällä yläpultti (10A) haluttuun asentoon.
- Kiinnitä sen jälkeen alamutteri (10B) uudelleen.

### Leikkaaminen:

Leikkaa materiaalia aina seuraavasti:

- Varmista, että työstökappale on kiinnitetty paikoilleen ja hyvin tuettuna ennen koneen käynnistämistä.
- Käynnistä kone yläasennossa ja anna sen käydä jonkin aikaa, kunnes se saavuttaa maksiminopeuden.
- Varmista, että laikka pyörii vapaasti ja ettei se tärisee.
- Laske konetta varoen alaspäin, kunnes se koskettaa materiaalia.

- Paina kahvaa tasaisella voimalla varmistaen, ettei laikan nopeus laske.
- Vapauta virtakytkin leikkaamisen jälkeen ja siirrä konetta varoen ylöspäin.
- Poista työstökappale vasta sitten, kun katkaisulaikka on pysähtynyt kokonaan.



*Vältä liiallisen voiman kohdistamista kahvaan leikkaamisen aikana, se ei lisää leikkausnopeutta ja laikka ja kone voivat kulumaa ennenaikaisesti.*

### Hiiliharjojen tarkistaminen ja vaihtaminen

Moottorissa on kaksi hiiliharjaa, jotka kuluvat käytön aikana. Hiiliharjojen kunto on tärkeää tarkistaa, sillä kuluneet hiiliharjat voivat heikentää koneen tehoa ja johtaa moottorivaurioihin.

#### Hiiliharjojen poistaminen

##### Kuva B

- Varmista, että pistoke on irrotettu pistorasiasta.
- Irrota hiiliharjan suojus (8).
- Irrota hiiliharjat vetämällä varoen jousesta.
- Tarkista harjaosan kuluneisuus. Jos sitä on jäljellä alle 6 mm, hiiliharja on kulunut ja se on vaihdettava välittömästi.
- Toista toimenpide toisella puolella.

#### Hiiliharjojen asentaminen

##### Kuva B

- Varmista, että pistoke on irrotettu pistorasiasta.
- Asenna hiiliharjat paikoilleen ja paina jousi takaisin paikoilleen.
- Kiinnitä hiiliharjan suojus (8) pitäen jousia samalla alhaalla, kierrä suojusta myötäpäivään.
- Kun molemmat hiiliharjat on asennettu paikoilleen, tarkista koneen hyvä toiminta ja ettei koneesta tule kipinöitä.



*Vaihda aina molemmat hiiliharjat samalla kertaa.*

## 4. HUOLTO



*Sammuta kone ja irrota pistoke sähköverkosta aina ennen puhdistusta ja huoltoa.*

Puhdista koneen ulkokuoret säännöllisesti pehmeällä liinalla, mieluiten jokaisen käyttökerran jälkeen. Varmista, että tuuletusaukoissa ei ole pölyä tai likaa. Poista vaikeat tahrat käyttämällä saippuavaahtoon kostutettua pehmeää liinaa. Älä käytä liuottimia, kuten bensiiniä, alkoholia, ammoniakkaa jne. Vastaavat kemikaalit vaurioittavat synteettisiä komponentteja.

## TAKUU

Takuuehdot löytyvät erillisestä takuukortista.

## YMPÄRISTÖ



*Viilliset ja/tai hävitetyt sähkö- ja elektroniset laitteet tulee viedä asianmukaisesti erilliskeräykseen.*

### Vain EU-maat

Älä hävitä sähköyökaluja kotitalousjätteen mukana. Sähkö- ja elektroniikkalaitteita koskevan direktiivin 2012/19/EU ja vastaavien kansallisten lakien mukaisesti sähköyökalut tulee hävittää erilliskeräyksessä ja ympäristöystävällisesti niiden käyttöiän päätyttyä.

**Tuoteeseen ja ohjekirjaan voidaan tehdä muutoksia. Teknisiin tietoihin voidaan tehdä muutoksia ilmoituksetta.**

## Geringsssav 2300W - 355mm COM1007P

Tak for dit køb af dette Ferm-produkt. Du har hermed tilegnet dig et fremragende produkt, der er leveret af en af Europas førende leverandører. Alle produkter, du modtager fra Ferm, er fremstillet i overensstemmelse med de højeste standarder inden for ydeevne og sikkerhed. Som en del af vores filosofi leverer vi også en fremragende kundeservice, der understøttes af vores omfattende garanti. Vi håber, at du vil få glæde af dette produkt mange år fremover.

## 1. SIKKERHEDSANVISNINGER



**Læs de vedlagte sikkerhedsadvarsler, de yderligere sikkerhedsadvarsler og vejledningen.** Hvis sikkerhedsadvarslerne og vejledningen ikke følges, kan det resultere i elektrisk stød, brand og/eller alvorlige personskader. **Gem sikkerhedsadvarslerne og vejledningen til fremtidig brug.**

Følgende symboler anvendes i brugervejledningen eller på produktet:



Læs brugervejledningen.



Angiver risiko for personskade, dødsfald eller beskadigelse af værktøjet i tilfælde af manglende overholdelse af anvisningerne i denne vejledning.



Risiko for elektrisk stød



Tag øjeblikkeligt netstikket ud af stikkontakten, hvis netkablet bliver beskadiget, samt under rengøring og vedligeholdelse.



Kun til indendørs brug.



Klasse II-maskine – Dobbeltisoleret – Du har ikke brug for et jordstik.



Bær altid øjenværn!



Bær høreværn.



Bær sikkerhedshandsker.



Risiko for flyvende genstande. Tilskuere skal holde sig på afstand af arbejdsområdet.



Produktet er i overensstemmelse med de gældende sikkerhedsstandarder i EUDirektiverne.

## Sikkerhedsanvisninger til rundsav – skæreanvisninger

1. Brug kun skærekanten (aldrig siden) af skiven til at skære med. Undgå at lægge pres på siden af skiven, og i særdeleshed skal du undgå, at den sætter sig fast.
2. Hold hænder og krop væk fra skiven. Brug ikke løst tøj, som kunne blive viklet ind i den, mens du skærer med maskinen.
3. Behandl skivesaven forsigtigt; du må aldrig tabe den, og den skal altid opbevares på et sikkert, tørt sted.  
Undgå for høje temperaturer og fugtighed.
4. Sørg for, at alle skiveflanger og andre monterede dele er i god stand og er monteret i henhold til anvisningerne. Beskadigede eller manglende dele kan medføre skade på skiven. Brug altid de flanger, der leveres med maskinen.
5. Arbejd aldrig med beskadigede skiver, da disse kan være farlige. Når du skifter skiven, skal du først slukke for maskinen. Drej skiven med hånden, og undersøg den for ujævnheder, vridninger og forskydninger. Hvis du finder nogen af disse, skal du fjerne skiven og udskifte den med en ny. Udskift også skiven, hvis den falder på gulvet. Den kan være blevet skrøbelig, selv om du ikke kan se nogen tilsyneladende skader.
6. Før du begynder at skære, skal du foretage en testkørsel, dvs. tage et skridt tilbage, tænde for motoren og sikre, at skiven fungerer korrekt.  
Efter at have skiftet skiven, skal du lade saven køre i tre minutter; derefter skal du lade

den prøvekøre i et minut, inden du udfører rutinearbejde.

7. Du må aldrig forsøge at fjerne et arbejdsemne eller lægge et emne ind, mens maskinen kører. Vent altid, indtil skiven stopper helt, inden du fjerner et arbejdsemne eller ændrer på indstillingerne.
8. Inden du installerer skiven, skal du altid undersøge den harpiks- og gummibehandlede skive for forskydninger.
9. Kontrollér altid skivesavens maksimale driftshastighed med den maksimalt tilladte hastighed for motoren. Overskrid aldrig den maksimalt tilladte driftshastighed angivet på skiven.
10. Forsøg aldrig at montere en skive på maskinen med kraft eller at ændre akslernes størrelse. Brug aldrig skiver, som ikke passer. Brug kun skiver, som passer til maskinen.
11. Forsøg ikke at fastgøre savblade til maskinen, da den ikke er designet til at skære træ.
12. Begynd ikke at skære, før motoren har nået fuld hastighed.
13. Hvis skiven ikke længere drejer, mens du bruger maskinen, eller hvis motoren lyder overbelastet, skal du straks slukke for maskinen.
14. Opbevar let brændbare eller skrøbelige genstande væk fra maskinen.  
Maskinoperatøren skal undgå, at hænder, ansigt eller fødder kommer i kontakt med gnisterne, der opstår ved skæring.
15. Placér din maskine fast på en flad, jævn overflade.
16. Brug kun maskinen ved den spænding, der er angivet på typeskiltet.
17. Rør aldrig et afsavet arbejdsemne; lad det altid afkøle først.
18. Forsøg aldrig at skære arbejdsemner, der overstiger den tilladte størrelse.
19. Under skæring må du aldrig placere dig selv i retning af skæringen. Du skal altid blive på den ene side.
20. Sikkerhedsanordninger skal altid være installeret.
21. Sørg altid for, at du skærer langsomt og forsigtigt. Undgå at sætte skiven på emnet med en rykkende bevægelse.
22. Skub aldrig arbejdsemnet mod skiven, mens du holder det i dine hænder. Brug altid klemmen til at fastgøre emnet.

23. Hold hænderne væk fra skæreskiven. Skær aldrig arbejdsemner, hvor der er behov for manuel støtte tættere end 15 cm fra den roterende skive.
24. Sørg for, at arbejdsemnet er korrekt støttet
25. Brug aldrig skærevæsker. Disse væsker kan antændes eller forårsage elektrisk stød
26. Skær ikke støbejernsmaterialer
27. Skær ikke plast, træ eller syntetiske materialer
28. Skær ikke magnesium

## Elektrisk sikkerhed

Ved anvendelse af elektriske maskiner skal man altid følge de lokalt gældende sikkerhedsforskrifter i forbindelse med brandfare, fare for elektrisk stød og legemensbeskadigelse. Læs udover de nedenstående instruktioner også sikkerhedsforskrifterne i den separat vedlagte sikkerhedsfolder. Bevar instruktionerne godt!



Kontroller altid om netspændingen svarer til værdien på typeskiltet.



Klasse II maskine – Dobbel isolering – Du behøver ingen jordforbindelsestik.

## Udskiftning af ledninger eller stik

Hvis netledningen er blevet beskadiget, skal den udskiftes med en speciel netledning, som kan fås via fabrikanten eller fabrikantens kundeservice. Gamle ledninger og stik skal kasseres, når de er blevet udskiftet med nye. Det er farligt at sætte stikket på en løs ledning i en stikkontakt.

## Ved brug af forlængerledninger

Brug udelukkende godkendte forlængerledninger, der er beregnede til maskinens effekt. Lederne skal have et gennemsnit på mindst 1.5 mm<sup>2</sup>. Hvis forlængerledningen sidder på en tromle, rulles ledningen helt af.

## 2. MASKINOPLYSNINGER

### Tilsigtet brug

Rundsaven er designet til at skære stålmaterialer i forskellige former.

### Tekniske specifikationer

Netspænding	220V-240V~
Netfrekvens	50/60Hz
Indgangseffekt	2.300 W
Nominel hastighed	4300/min

Savklinge*	Ø 355mm x Ø 25.4mm
Lydtryk L <sub>PA</sub>	92 dB(A) K=3
Lydeffekt L <sub>WA</sub>	105 dB(A) K=3
Vibration a <sub>n,AG</sub>	2.90+1.5 m/s <sup>2</sup>
Vægt	15.8kg

### Maks. skæreevne ved 90°

- Rektangulær	115mm x 125mm
- L-form	135mm x 135mm
- Cirkulær	Ø 125mm

### Maks. skæreevne ved 45°

- Rektangulær	110mm x 102mm
- L-form	110mm x 110mm
- Cirkulær	Ø 110mm

\* For nogle lande er skæreskiven ikke inkluderet.

## Vibrationsniveau

Det vibrationsniveau, der er anført bag på denne betjeningsvejledning er målt i henhold til den standardiserede test som anført i EN 62841; den kan benyttes til at sammenligne to stykker værktøj og som en foreløbig bedømmelse af udsættelsen for vibrationer, når værktøjet anvendes til de nævnte formål

- anvendes værktøjet til andre formål eller med andet eller dårligt vedligeholdet tilbehør, kan dette øge udsættelsesniveauet betydeligt
- de tidsrum, hvor værktøjet er slukket, eller hvor det kører uden reelt at udføre noget arbejde, kan reducere udsættelsesniveauet betydeligt

Beskyt dig selv imod virkningerne af vibrationer ved at vedligeholde værktøjet og dets tilbehør, ved at holde dine hænder varme og ved at organisere dine arbejdsmønstre

## Beskrivelse

Tallene i teksten henviser til diagrammerne på side 2-5.

### Fig. A.

1. Øverste sikkerhedsskærm
2. Bevægelig sikkerhedsskærm
3. Skæreskive (\*findes ikke til alle modeller)
4. Gnistafskærmer
5. Emnetang

### Fig B.

6. Gribehåndtag
- 7a. Tænd/sluk-kontakt
- 7b. Låseknop
8. Kulbørstens dæksel

9. Spindellåseknop
- 10A. Bolt til dybdestop
- 10B. Møtrik til dybdestop
11. Transportlåsebolt
12. Bageste emnetang
13. Forreste emnetang
14. Stopstang
15. Emnespindel
16. Skiveudskiftningsnøgle

### Fig C.

3. Skæreskive
17. Maskinspindel
18. Stor indvendig skive
19. Stor udvendig skive
20. Lille skive
21. Skivebolt

## 3. DRIFT



*Inden du skifter blade eller justerer maskinen, skal du først fjerne strømstikket fra kontakten.*

### Sådan fjernes transportlåsen

#### Fig. B

Maskinen har en transportlåsestift (11), som holder dens position lav og gør det nemt at transportere enheden og opbevare den. Låseknappen blokerer savens op/nedbevægelse. Og skal deaktiveres, før saven tages i brug.

- Fjern transportlåsen ved at trykke lidt ned. Mens du trykker ned, kan transportlåsestiften (11) trækkes ud med den anden hånd.
- Efter at stiften (11) er trukket ud, kan maskinen frit bevæge sig op og ned.

### Sådan aktiveres transportlåsen

#### Fig. B

- Tryk maskinen ned til dens laveste position.
- Skub derefter transportlåsestiften (11), indtil den glider på plads.

### Sådan tilføjes/fjernes en skæreskive

#### Fig. A, B, C.



*Tag altid stikket ud, inden du skifter skiver*



*Når du skifter skiver, skal du altid tjekke de relaterede sikkerhedsinstruktioner*

### Sådan fjernes en skæreskive

- Tag skiftenøglen (16) fra maskinstativet
- Det er nemmere at fjerne skiven, når den bevægelige sikkerhedsafskærmning (2) er flyttet op.
- Tryk på spindellåseknappen (9) for at blokere bevægelsen af maskinens spindel.
- Hold spindellåseknappen nede (9). Sæt skiftenøglen (16) på skiveboltet og drej den lidt, indtil knappen (9) er trykket ind til det maksimale, og spindelrotationen er blokeret.
- Fjern boltet (21), den lille spændeskive (20), den store ydre spændeskive (19)
- Fjern derefter skæreskiven (3)

### Sådan monteres en skæreskive

- Hvis dette endnu ikke er blevet gjort, skal du fjerne boltet (21) ved at dreje den mod uret og derefter fjerne derefter den lille spændeskive (20) og den store ydre spændeskive (19).
- Placer skæreskiven (3) på maskinens spindel.
- Sæt først den store ydre spændeskive (19) på, så den lille spændeskive (20) og derefter fastgørelsesboltet (21) i henhold til fig. C, og stram den med hånden, indtil spindlen begynder at rotere.
- Tryk på spindellåseknappen (9) for at blokere bevægelsen af maskinens spindel.
- Hold spindellåseknappen nede (9). Sæt skiftenøglen (16) på skiveboltet, og drej den lidt i retning med uret.
- Når spindellåsen blokerer rotationen, skal skiveboltet skrues fast ved hjælp af skiftenøglen (16).
- Løsn spindellåseknappen og sørg for, at spindelåseknappen ikke længere blokerer spindlen.

*Kontrollér derefter, om hjulet er monteret korrekt:*

- Drej skiven (3) nogle få runder med hånden for at kontrollere, om den drejer frit, og om den er justeret korrekt.
- Tænd for maskinen, og lad maskinen køre i mindst 3 minutter.

## Tænd/sluk-kontakten

### Fig. B

Tænd/sluk-kontakten (7) aktiveres ved manuelt at trække i omskiftertrykkeren. Man slår den fra igen ved at slippe trykkeren.

## Arbejdsemneklammen (5)

### Fig. A & B & D

- Placér emnematerialet mellem forklemmen (13) og bagklemmen (12).
- Løft stopperen (14) som vist i fig. D, og drej skruelhåndtaget (15) fremad, indtil forklemmen (13) rører arbejdsemnet.
- Ryk derefter stopperen (14) ned (for at låse spindlen), og fastgør arbejdsemnet korrekt ved at dreje skruelhåndtaget (15).

## Skæring i vinkler

### Fig. E

Maskinen tillader skæring i vinkler fra 00 til 450 ved at justere bagklemmen (12).

- Løsn de 2 M10 sekskantstikhovedbolte (22 og 23), som holder bagklemmen (12), indtil skruestikket kan bevæge sig.
- Sæt derefter bagklemmen (12) i den korrekte vinkel, og stram begge bolte (22 og 23) igen.

## Sådan bevæges bagerste skruestik (for at skære større arbejdsstykker)

### Fig. F

Skruestikket tillader arbejdsemner på maks. 160 mm, når de sendes fra fabrikken. Skruestikket kan justeres bagtil for at tillade en arbejdsemnestørrelse på 195 mm som vist på højre billede (fig. F).

- Løsn de 2 M10-sekskantbolte (22 og 23) på bagklemmen (12) fuldstændigt.
- Flyt klemmen (12) bagud, og fastgør skrueerne (22 og 23) til de bageste forbindelseshuller igen.

## Justering af dybdestop:

### Fig. B

Maskinen er udstyret med en bolt til dybdestop; med denne bolt kan den maksimale skæredybde justeres.

- Hvis skæredybden skal justeres, skal du løsne nederste møtrik (10B) og justere dybdeindstillingen ved at dreje den øverste bolt (10A) til de ønskede positioner.
- Fastgør derefter den nederste møtrik (10B) igen.

## Skæreprcedure:

For at skære materiale skal du altid følge følgende procedure:

- Sørg for, at emnet er sat fast og støttet godt, inden maskinen startes.
- Start maskinen i øverste position; lad den løbe i et stykke tid, indtil den når maksimal fart.
- Sørg for, at bladet drejer frit uden vibration.
- Flyt forsigtigt maskinen nedad, indtil den berører materialet.
- Hold fortsat håndtaget med lidt kraft; sørg for, at bladhastigheden ikke falder.
- Slip tænd/sluk-kontakten efter skæring, og flyt forsigtigt maskinen op.
- Fjern kun arbejdsemnet, når skæreskiven er stoppet helt.



*Påfør ikke for meget kraft mod håndtaget, når du skærer. Bladet og maskinen slides hurtigere, og det resulterer ikke i hurtigere skæring.*

## Inspektion og udskiftning af kulbørsterne

Motoren har 2 kulbørster, som slides under brug. Det er vigtigt at kontrollere kulbørsternes status, da en slidt kulbørste kan resultere i dårlig ydeevne og motorskade.

### Fjernelse af kulbørster

#### Fig. B.

- Sørg for, at netstikket er taget ud af stikkontakten.
- Fjern kulbørstens dæksel (8).
- Fjern kulbørsterne ved forsigtigt at trække i fjederen.
- Kontrollér for slid på børsteblokken. Når der er mindre end 6 mm tilbage, er kulbørsten slidt og skal udskiftes med det samme.
- Gentag på den anden side.

### Isætning af kulbørster igen

#### Fig. B.

- Sørg for, at netstikket er taget ud af stikkontakten.
- Isæt kulbørsterne, og skub fjederen tilbage på plads.
- Sæt kulbørstens dæksel på (8), mens fjederen holdes nede, og drej dækslet med uret.
- Efter begge kulbørster er blevet geninstalleret, bør du teste, om maskinen kører problemfrit uden gnister.



Udskift altid begge kulbørster.

## 4. VEDLIGEHOLDELSE



*Før rengøring og vedligeholdelse skal du altid slukke for maskinen og trække netstikket ud af kontakten.*

Rengør maskinbeklædningerne regelmæssigt med en blød klud, helst efter hver anvendelse. Sørg for, at der ikke er støv eller snavs i ventilationsåbningerne. Fjern snavs, der sidder meget godt fast, med en blød klud, der er fugtet i sæbevand. Brug ikke opløsningsmidler, som f.eks. benzin, sprit, ammoniak osv. Kemikalier som disse beskadiger de syntetiske komponenter.

## GARANTI

Garantibetingelserne findes på det garantikort, der er vedlagt separat.

## MILJØ



*Defekte og/eller bortskaffede elektriske og elektroniske apparater skal afleveres på en passende genbrugsstation.*

### Kun for lande i EU

Maskinværktøj må ikke bortskaffes sammen med husholdningsaffald. Ifølge EU-direktiv 2012/19/EU om affald af elektrisk og elektronisk udstyr og dets gennemførelse i den nationale lovgivning skal maskinværktøjer, der ikke længere anvendes, afleveres separat og bortskaffes på en miljøvenlig måde.

**Produktet og brugervejledningen er genstand for ændringer. Specifikationer kan ændres uden yderligere varsel.**

## Rozbrušovací pilá 2300W - 355mm COM1007P

Děkujeme vám za zakoupení tohoto výrobku značky Ferm. Nyní máte k dispozici vynikající výrobek dodávaný jedním z hlavních evropských dodavatelů. Všechny výrobky dodávané společností Ferm jsou vyráběny podle požadavků nejnáročnějších norem týkajících se výkonu a bezpečnosti. Jako součást naší firemní filozofie poskytujeme také vynikající zákaznický servis, který je podporován naší komplexní zárukou. Doufáme, že vám náš výrobek bude řádně sloužit mnoho let.

## 1. BEZPEČNOSTNÍ POKYNY



**Přečtěte si přiložené bezpečnostní výstrahy, dodatečné bezpečnostní výstrahy a bezpečnostní pokyny.**

*Nebudete-li dodržovat tyto bezpečnostní výstrahy a pokyny, může dojít k úrazu elektrickým proudem, k vzniku požáru nebo k způsobení vážného zranění.*

**Uchovejte tyto bezpečnostní výstrahy a pokyny pro budoucí použití.**

V tomto návodu nebo na výrobku jsou použity následující symboly:



*Přečtěte si návod k obsluze.*



*Upozorňuje na riziko zranění osob, ztráty života nebo poškození náradí, nebudou-li dodržovány pokyny uvedené v tomto návodu.*



*Riziko úrazu způsobeného elektrickým proudem*



*Ohned odpojte zástrčku napájecího kabelu od síťové zásuvky, dojde-li k jeho poškození nebo provádíte-li čištění a údržbu.*



*Není určeno pro venkovní použití*



*Stroj třídy II – Dvojitá izolace – Není nutné použití zástrčky s uzemněním.*



*Vždy používejte ochranu zraku!*



*Používejte ochranu sluchu.*



*Používejte ochranné rukavice.*



Riziko zranění odlétávajícími předměty.  
Zamezte přístupu nepovolaných osob do pracovního prostoru.



*Tento výrobek je vyroben v souladu s platnými bezpečnostními normami, které jsou uvedeny ve směrnících EU.*

## Bezpečnostní pokyny k rozbrušovacím pilám – pokyny k řezání

1. Při řezání vždy používejte pouze řeznou hranu kotouče (nikdy ne stranu). Na kotouč nevyvíjejte boční tlak a zejména jej nenechte uvíznout.
  2. Udržujte ruce a nohy v bezpečné vzdálenosti od kotouče. Při řezání nepoužívejte volné oděvy, které mohou být strojem zachyceny.
  3. S pilovým kotoučem zacházejte opatrně, nikdy jej nenechte spadnout a uchovávejte jej na bezpečném a suchém místě. Vyvarujte se příliš vysokých teplot a vlhkosti.
  4. Zajistěte, aby všechny příruby kotouče a další osazené části byly v dobrém stavu, a aby se instalovaly podle pokynů. Poškozené nebo chybějící díly mohou vést k poškození kotouče. Vždy používejte příruby dodané se strojem.
  5. Nikdy nepracujte s poškozenými kotouči, protože mohou být nebezpečné. Při výměně kotouče nejprve vypněte stroj. Rukou otáčejte kotoučem a zkontrolujte jej z hlediska nestejnomyšernosti, zkroucení nebo natržení. Pokud zjistíte jakoukoliv z těchto vad, již jej dál nepoužívejte a vyměňte jej za nový. Rovněž vyměňte kotouč, který spadl na podlahu. Ačkoliv nemusí být viditelně poškozený, mohl zkrěhnout.
  6. Před zahájením řezání provedte testovací provoz, tj. zapněte motor a zkontrolujte správnou funkci kotouče.
- Po výměně kotouče nechte pilu běžet tři minuty. Potom před každou prací provádějte testovací provoz po dobu jedné minuty.
7. Když stroj běží, nikdy se nepokoušejte odstranit nebo upnout obrobek. Před odstraňováním jakéhokoliv obrobku nebo změnou nastavení vždy počkejte, dokud se kotouč úplně nezastaví.
  8. Před instalací vždy zkontrolujte kotouče s pryskyřicí a gumou z hlediska natržení.
  9. Vždy zkontrolujte, zda maximální povolené otáčky řezného kotouče odpovídají maximálním otáčkám motoru. Nikdy nepřekračujte maximální povolené otáčky uvedené na kotouči.
  10. Nikdy se nepokoušejte namontovat kotouč na stroj násilím nebo měnit velikost osazení. Nikdy nepoužívejte kotouče s nekompatibilními rozměry. Používejte pouze kotouče s rozměry kompatibilními se strojem.
  11. Nepokoušejte se na stroj nainstalovat pilové kotouče, protože není určen k řezání dřeva.
  12. Nezačínajte řezat, dokud motor nedosáhl plných otáček.
  13. Pokud se kotouč během provozu stroje již netočí nebo motor zní jako přetížený, ihned vypněte motor.
  14. Snadno hořlavé nebo křehké předměty udržujte v bezpečné vzdálenosti od stroje. Obsluha stroje musí zabránit tomu, aby se její ruce, obličej nebo nohy dostaly do kontaktu s jiskrami vznikajícími při řezání.
  15. Umístěte stroj pevně na rovný a vodorovný povrch.
  16. Stroj provozujte pouze při napětí uvedeném na typovém štítku.
  17. Nikdy se nedotýkejte uříznutého obrobku, vždy jej nechte nejprve vychladnout.
  18. Nikdy neřežte obrobky s většími než povolenými rozměry.
  19. Během řezání se nikdy nezdržujte v ose kotouče. Vždy se zdržujte na jedné straně.
  20. Nainstalovaná bezpečnostní zařízení nechte trvale na svém místě.
  21. Vždy řežte pomalu a opatrně. Kotoučem nikdy nepůsobte na obrobek prudkými pohyby.
  22. Na kotouč nikdy nepřitlačujte obrobek, který držíte rukama. K upnutí obrobku vždy používejte upínky.
  23. Udržujte ruce v bezpečné vzdálenosti od řezného kotouče. Nikdy neřežte obrobky



za podmínek, kdy je nutné jejich ruční přidržování ve vzdálenosti menší než 15 cm od řezného kotouče.

24. Zajistěte správné podepření obrobku.
25. Nikdy nepoužívejte řezné kapaliny. Tyto kapaliny se mohou vznítit nebo způsobit úraz elektrickým proudem.
26. Neřežte litinu.
27. Neřežte plasty, dřevo nebo syntetické materiály.
28. Neřežte hořčík.

## Elektrická bezpečnost

Při používání elektrických přístrojů je vždy třeba dodržovat bezpečnostní předpisy platné ve vašem státě. Sníží se tím nebezpečí požáru, zasažení elektrickým proudem a zranění osob. Pročtěte zde uvedené bezpečnostní pokyny a seznamte se i s bezpečnostními pokyny přiloženými k nástroji. Uložte tyto pokyny na bezpečném místě.



*Vždy se přesvědčete zdali výška elektrického napětí souhlasí s hodnotou uvedenou na nálepce přístroje.*



*Stroj třídy II – dvojitá izolace – Nepotřebujete žádnou uzemněnou zástrčku.*

## Výměna kabelů a zástrček

V případě, že jsou kabely poškozeny, musí být nahrazeny speciálním hlavním kabelem, který je k dostání u výrobce nebo v jeho zákaznickém centru. Staré kabely po nahrazení ihned zlikvidujte. Je nebezpečné zapojit zástrčku na uvolněném kabelu do zásuvky.

## V případě použití prodlužovacích kabelů

Používejte pouze schválené prodlužovací kabely, které vyhovují použitému výkonu přístroje. Vodiče kabelů musí mít v průřezu aspoň 1.5 mm<sup>2</sup>. V případě, že je kabel ještě smotán, tak jej úplně vytáhněte.

## 2. INFORMACE O NÁRADÍ

### Určené použití

Rozbrušovací pila je určena k řezání ocelových materiálů různých tvarů.

### Technické údaje

Napájecí napětí	220V-240V~
Frekvence	50/60Hz
Příkon	2.300 W
Jmenovité otáčky	4300/min
Rozměry řezného kotouče*	Ø 355mm x Ø 25.4mm
Akustický tlak L <sub>PA</sub>	92 dB(A) K=3
Akustický výkon L <sub>WA</sub>	105 dB(A) K=3
Vibrace a <sub>h,AG</sub>	2.90+1.5 m/s <sup>2</sup>
Hmotnost	15.8kg

### Maximální kapacita řezání při 90°

- Obdélník	115mm x 125mm
- Průřez L	135mm x 135mm
- Kruhový průřez	Ø 125mm

### Maximální kapacita řezání při 45°

- Obdélník	110mm x 102mm
- Průřez L	110mm x 110mm
- Kruhový průřez	Ø 110mm

\* Pro některé země není řezný kotouč součástí dodávky.

### Vibrace

Velikost vibrací uvedená v tomto návodu k obsluze byla měřena podle normalizovaných požadavků, které jsou uvedeny v normě EN 62841 a může být použita pro vzájemné srovnání jednotlivých nářadí mezi sebou a tato hodnota může být použita pro předběžný odhad vibrací působících na obsluhu při uvedených aplikacích

- použití tohoto nářadí pro jiné aplikace, nebo s odlišným nebo nedostatečně udržovaným příslušenstvím, může značně zvýšit hodnotu působících vibrací
- doba, kdy je nářadí vypnuto nebo kdy je v chodu naprázdno, může dobu působení vibrací na obsluhu značně zkrátit

Chraňte se před působením vibrací prováděním řádné údržby tohoto nářadí i jeho příslušenství, udržujte ruce v teple a provádějte práci správným způsobem.

## Popis

Čísla v následujícím textu odkazují na obrázky na stranách 2 - 5.

### Obr. A.

1. Horní bezpečnostní kryt
2. Pohyblivý bezpečnostní kryt
3. Řezný kotouč  
(\*není součástí dodávky u všech modelů)
4. Deflektor jisker
5. Přichytka obrobku

### Obr. B.

6. Rukojeť
- 7a. Spínač zapnuto/vypnuto
- 7b. Zajišťovací tlačítko
8. Víčko uhlíkového kartáče
9. Zajišťovací tlačítko vřetena
- 10A. Šroub hloubkového dorazu
- 10B. Matice hloubkového dorazu
11. Převodní zajišťovací kolík
12. Zadní upínka obrobku
13. Přední upínka obrobku
14. Páka aretace
15. Vřeteno pro upínání obrobku
16. Klíč pro výměnu kotouče

### Obr. C.

3. Řezný kotouč
17. Vřeteno stroje
18. Velká vnitřní podložka
19. Velká vnější podložka
20. Malá podložka
21. Šroub kotouče

## 3. POUŽITÍ



*Před výměnou kotouče nebo seřizováním stroje nejprve vytáhněte zástrčku stroje ze síťové zásuvky.*

### Odstranění přepravního zajištění

#### Obr. B

Stroj je vybaven přepravním zajišťovacím kolíkem (11), který stroj drží ve spodní poloze kvůli usnadnění přepravy a skladování. Zajišťovací tlačítko blokuje pohyb pily nahoru a dolů. Před použitím pily se musí deaktivovat.

- Odstraňte přepravní zajištění mírným stlačením stroje dolů. Při stlačení dolů je možno druhou rukou vytáhnout zajišťovací kolík (11).

- Po vytažení kolíku (11) se stroj může volně pohybovat nahoru a dolů.

### Aktivace přepravního zajištění

#### Obr. B

- Stlačte stroj dolů do nejnižší polohy.
- Potom zatlačte přepravní zajišťovací kolík (11) na své místo.

### Montáž a demontáž řezného kotouče

#### Obr. A, B, C.



*Před výměnou kotouče vždy vytáhněte síťovou zástrčku.*



*Před výměnou kotouče si vždy přečtěte příslušné bezpečnostní pokyny.*

### Demontáž řezného kotouče

- Z podstavce stroje vyjměte klíč na kotouč (16).
- Demontáž kotouče je snadnější, kdy je pohyblivý bezpečnostní kryt (2) přestaven nahoru.
- Stiskněte blokovací tlačítko vřetene (9), aby se zablokoval pohyb vřetene stroje.
- Držte stisknuté blokovací tlačítko vřetene (9). Nasadte klíč (16) na upevňovací šroub kotouče a pootáčejte jím tak, aby se tlačítko (9) maximálně zatlačilo a zablokovalo se vřeteno.
- Demontujte šroub (21), malou podložku (20) a velkou vnější podložku (19).
- Potom sejměte řezný kotouč (3).

### Montáž řezného kotouče

- Pokud toto ještě nebylo provedeno, demontujte šroub (21) jeho otáčením doleva, potom sejměte malou podložku (20) a velkou vnější podložku (19).
- Nasadte řezný kotouč (3) na vřeteno stroje.
- Nejprve nasadte velkou vnější podložku (19), potom malou podložku (20) a potom namontujte upevňovací šroub (21) podle obr. C a utáhněte jej rukou, dokud se nezačne otáčet vřeteno.
- Stiskněte blokovací tlačítko vřetene (9), aby se zablokoval pohyb vřetene stroje.
- Držte stisknuté blokovací tlačítko vřetene (9). Nasadte klíč (16) na upevňovací šroub kotouče a pootáčejte jím doprava.
- Když se zablokuje otáčení vřetene, utáhněte upevňovací šroub kotouče pomocí klíče (16).

- Uvolněte blokovací tlačítko vřetene a zkontrolujte, zda již neblokuje pohyb vřetene.

*Potom zkontrolujte správnou montáž kotouče:*

- Rukou otáčejte kotoučem (3) několik otáček a kontrolujte jeho volné otáčení a správné usazení.
- Zapněte stroj a nechte jej běžet minimálně 3 minuty.

### Vypínač

#### Obr. B

Vypínač (7) se zapne manuálním zatažením za spoušť vypínače. Vypne se uvolněním spouště.

### Upínka obrobku (5)

#### Obr. A a B a D

- Umístěte obrobek mezi přední upínku (13) a zadní upínku (12).
- Zvedněte aretaci (14) způsobem uvedeným na obr. D a otáčejte rukojetí šroubu (15) dopředu, dokud se přední upínka (13) nedotkne obrobku.
- Potom přestavte aretaci (14) dolů (aby se zajistilo vřeteno) a upněte obrobek otáčením rukojetí šroubu (15).

### Úhlové řezání

#### Obr. E

Stroj umožňuje nastavením zadní upínky (12) úhlové řezání pod úhly od 0° do 45°.

- Povolte 2 šrouby M10 s šestihrannou hlavou (22 a 23), které upevňují zadní upínku (12) – tak, aby bylo možné pohybovat svěrákem.
- Potom nastavte zadní upínku (12) na správný úhel a opět utáhněte oba šrouby (22 a 23).

### Přestavení zadního svěraku

#### (pro řezání větších obrobků)

#### Obr. F

Ve stavu dodání z výrobního závodu svěrák umožňuje řezání obrobků o maximální velikosti 160 mm. Svěrák lze přestavit dozadu, aby bylo možné řezat obrobky velikosti 195 mm, jak je vidět na obrázku vpravo (obr. F).

- Úplně povolte 2 šrouby M10 s šestihrannou hlavou (22 a 23) na zadní upínce (12).
- Posuňte upínku (12) dozadu a šrouby (22 a 23) namontujte do zadních otvorů.

### Seřízení hloubkového dorazu:

#### Obr. B

Stroj je vybaven šroubem hloubkového dorazu, kterým lze seřizovat maximální hloubku řezu.

- Při seřizování hloubky řezu povolte spodní matici (10B) a potom seřídte hloubku otáčením horního šroubu (10A) do požadované polohy.
- Potom opět utáhněte spodní matici (10B).

### Postup řezání:

Při řezání materiálu vždy postupujte následovně:

- Před spuštěním stroje zkontrolujte správné upnutí a podepření obrobku.
- Spusťte stroj v horní poloze a nechte jej běžet, dokud nedosáhne maximálních otáček.
- Zkontrolujte volné otáčení kotouče bez vibrací.
- Opatrně pohybujte strojem dolů, dokud se nedotkne materiálu.
- Malou silou rovnoměrně stlačujte páku a dbejte na to, aby neklesaly otáčky kotouče.
- Po provedení řezu uvolněte vypínač a opatrně pohybujte strojem nahoru.
- Obrobek vyjměte až po úplném zastavení řezného kotouče.



*Při řezání nevyvíjejte příliš velkou sílu na páku, protože by docházelo k rychlejšímu opotřebenému kotouče a stroje a nedosáhlo by se rychlejšího řezání.*

### Kontrola a výměna uhlíkových kartáčů

Motor má 2 uhlíky, které se používáním opotřebují. Je důležité kontrolovat stav uhlíkových kartáčů, protože opotřebený uhlíkový kartáč může mít za následek nízký výkon a poškození motoru.

#### Demontáž uhlíkových kartáčů

#### Obr. B.

- Ujistěte se, že je zástrčka stroje vytažená ze síťové zásuvky.
- Demontujte víčko uhlíkového kartáče (8).
- Vyjměte uhlíkové kartáče opatrným vytažením za pružinku.
- Zkontrolujte uhlíkový kartáč, pokud je kratší než 6 mm, je opotřebený a musí se ihned vyměnit.
- Zopakujte stejnou činnost na druhé straně.

### Opětovné vložení uhlíkových kartáčů

Obr. B.

- Ujistěte se, že je zástrčka stroje vytažená ze síťové zásuvky.
- Vložte uhlíkové kartáče a zatlačte pružinku zpět na místo.
- Držte pružinku stlačenou, nasadte víčko uhlíkového kartáče (8) a otočte jej doprava.
- Po montáži obou uhlíkových kartáčů vyzkoušejte, zda stroj běží hladce bez jisker.



Vždy vyměňujte oba uhlíkové kartáče.

## 4. ÚDRŽBA



Před čištěním a prováděním údržby náradí vždy vypněte a odpojte zástrčku napájecího kabelu od síťové zásuvky.

Pravidelně čistěte kryt náradí měkkým hadříkem, pokud možno po každém použití. Ujistěte se, zda nejsou větrací otvory zaneseny prachem nebo jinými nečistotami. Odolnější nečistoty odstraňte pomocí měkkého hadříku navlhčeného v mýdlové pěně. Nepoužívejte žádná rozpouštědla, jako jsou benzín, líh, čpavek atd. Takové chemické látky mohou způsobit poškození dílů z umělé hmoty.

## ZÁRUKA

Záruční podmínky můžete nalézt na přiloženém záručním listě.

## PROSTŘEDÍ



Poškozená a likvidovaná elektrická nebo elektronická zařízení musí být odevzdána ve sběrných dvorech, které jsou určeny pro tento účel.

### Pouze pro země EU

Nevyhazujte elektrická náradí do běžného domácího odpadu. Podle evropské směrnice 2012/19/EU týkající se likvidace elektrických a elektronických zařízení a její implementace do vnitrostátního práva, musí být nepoužívaná elektrická náradí shromažďována odděleně a jejich likvidace musí být provedena tak, aby nedošlo k ohrožení životního prostředí.

**Na tomto výrobku a v tomto návodu mohou být prováděny změny. Technické údaje mohou být změněny bez předchozího upozornění.**

## Przecinarka ściernicowa 2300W - 355mm COM1007P

Dziękujemy za zakup tego produktu Ferm. Nabyliście Państwo doskonały produkt, dostarczany przez jednego z wiodących dostawców w Europie. Wszystkie produkty dostarczane Państwu przez Ferm są wytwarzane zgodnie z najwyższymi standardami wydajności i bezpieczeństwa. W ramach naszej filozofii zapewniamy również doskonałą obsługę klienta, wsparciem wszechstronną gwarancją. Mamy nadzieję, że będziecie Państwo z przyjemnością korzystali z tego produktu przez wiele lat.

### 1. INSTRUKCJĘ DOTYCZĄCĄ BEZPIECZEŃSTWA



**Przeczytać dołączone ostrzeżenia dotyczące bezpieczeństwa, dodatkowe ostrzeżenia dotyczące bezpieczeństwa oraz instrukcję.**

Nieprzestrzeganie ostrzeżeń dotyczących bezpieczeństwa oraz instrukcji może prowadzić do porażenia prądem, pożaru i/lub poważnych obrażeń ciała. **Zachować ostrzeżenia dotyczące bezpieczeństwa oraz instrukcje na przyszłość.**

Następujące symbole są umieszczone w instrukcji obsługi lub na produkcie:



Przeczytać instrukcję obsługi.



Oznacza ryzyko obrażeń ciała, śmierci lub uszkodzenia narzędzia w razie nieprzestrzegania poleceń z instrukcji.



Ryzyko porażenia prądem.



Niezwłocznie odłączyć wtyczkę zasilania sieciowego od gniazdka sieciowego, jeśli przewód zasilania sieciowego zostanie uszkodzony, a także na czas czyszczenia i konserwacji.



Tylko do użytku w pomieszczeniach.



Maszyna klasy II - Podwójna izolacja - Nie trzeba stosować wtyczek z uziemieniem.



Zawsze nosić okulary ochronne!



Nosić ochronniki słuchu.



Nosić rękawice ochronne.



Ryzyko wyrzucenia przedmiotów w powietrze. Nie pozwalać osobom postronnym zbliżać się do obszaru pracy.



Ryzyko wyrzucenia przedmiotów w powietrze. Nie pozwalać osobom postronnym zbliżać się do obszaru pracy.

### Instrukcje bezpieczeństwa dotyczące przecinarek ściernicowych - Instrukcja przecinania

1. Używać wyłącznie krawędzi tnącej (a nie boku) tarczy do cięcia. Unikać naciskania na tarczę w bok, a w szczególności unikać naciskania powodującego utykanie tarczy.
2. Trzymać obie ręce z dala od tarczy. Podczas cięcia maszyną nie nosić luźnych ubrań, które mogłyby zostać pochwycone przez maszynę.
3. Obchodzić się ostrożnie z przecinarką, nigdy jej nie upuszczać, zawsze przechowywać ją w bezpiecznym i suchym miejscu. Unikać skrajnych temperatur i wilgotności.
4. Dopilnować, aby wszystkie kołnierze tarczy i inne zamocowane części były w dobrym stanie i zmontowane zgodnie z instrukcją. Uszkodzone lub brakujące części mogą prowadzić do uszkodzenia tarczy. Zawsze stosować kołnierze dołączone do maszyny.
5. Nigdy nie pracować z uszkodzonymi tarczami, ponieważ są one niebezpieczne. Przed wymianą tarczy wyłączyć maszynę. Obrócić tarczę ręcznie i sprawdzić ją pod kątem nierówności, skręcenia lub przetarcia. W przypadku stwierdzenia takich uszkodzeń zdemonstrować tarczę i wymienić ją na nową. Jeśli tarcza spadnie na podłogę, również ją

- wymienić. Tarcza po upadku może być krucha, nawet jeśli nie widać na niej oczywistych oznak uszkodzenia.
6. Przed rozpoczęciem cięcia wykonać przebieg próbny, tzn. cofnąć się o krok, włączyć silnik i sprawdzić, czy silnik pracuje poprawnie. Po wymianie tarczy włączyć przecinarkę bez obciążenia na trzy minuty. Następnie, przed wykonaniem regularnie wykonywanej pracy, zawsze uruchamiać maszynę próbnie na minutę.
  7. Podczas pracy maszyny nigdy nie podejmować prób usuwania obrabianego przedmiotu ani zaciskania w niej obrabianego przedmiotu. Zawsze czekać do całkowitego zatrzymania tarczy przed wyjęciem obrabianego przedmiotu lub zmianą ustawień.
  8. Przed zamontowaniem tarczy wykonanej z żywicy i gumy zawsze sprawdzać jej stan pod kątem przetarcia.
  9. Zawsze sprawdzać, czy maksymalna robocza prędkość obrotowa przecinarki jest zgodna z maksymalną dopuszczalną prędkością obrotową silnika. Nigdy nie przekraczać maksymalnej roboczej prędkości obrotowej podanej na tarczy.
  10. Nigdy nie próbować montować tarczy na maszynie na siłę ani zmieniać rozmiaru osi. Nigdy nie używać niedopasowanych tarczy. Stosować wyłącznie tarcze pasujące do maszyny.
  11. Nie próbować mocować na maszynie tarczy do pilarek, ponieważ maszyna nie jest przeznaczona do cięcia drewna.
  12. Nie rozpoczynać cięcia, dopóki silnik nie osiągnie pełnej prędkości obrotowej.
  13. Jeśli podczas pracy maszyną tarcza przestanie się obracać lub silnik zacznie emitować dźwięki wskazujące na przeciążenie, niezwłocznie wyłączyć maszynę.
  14. Trzymać łatwopalne i delikatne przedmioty z dala od maszyny. Operator maszyny musi chronić swoje dłonie, twarz i stopy przed stycznością z iskrami powstającymi podczas cięcia.
  15. Ustawić maszynę stabilnie na płaskiej i równej powierzchni.
  16. Zasiląć maszynę prądem o napięciu zgodnym z wartością podaną na tabliczce znamionowej.
  17. Nigdy nie dotykać właśnie odciętego obrabianego elementu i zawsze poczekać, aż element ostygnie.
  18. Nigdy nie próbować przecinać przedmiotów o rozmiarach przekraczających dopuszczalne rozmiary.
  19. Podczas cięcia nigdy nie stawać w osi cięcia. Zawsze stać z boku.
  20. Nie demontować nigdy urządzeń zabezpieczających.
  21. Zawsze ciąć powoli i ostrożnie. Unikać nagłego przykładania tarczy do obrabianego przedmiotu.
  22. Nigdy nie pchać obrabianego przedmiotu w kierunku tarczy, trzymając go w dłoniach. Zawsze używać zacisku do mocowania obrabianego przedmiotu.
  23. Trzymać dłonie z dala od tarczy tnącej. Nigdy nie przecinać żadnego przedmiotu, który musiałby być przytrzymywany ręcznie w odległości mniejszej niż 15 cm od obracającej się tarczy.
  24. Zapewnić prawidłowe podparcie obrabianego przedmiotu
  25. Nigdy nie używać płynów obróbkowych. Takie płyny mogą się zapalić lub spowodować porażenie prądem
  26. Nie przecinać żeliwa
  27. Nie przecinać tworzyw sztucznych, drewna lub materiałów syntetycznych
  28. Nie przecinać magnezu

## Bezpieczeństwo związane z prądem elektrycznym

Używając urządzeń elektrycznych, należy zawsze przestrzegać miejscowych przepisów dotyczących ochrony przeciwpożarowej, ryzyka porażenia prądem elektrycznym oraz bezpieczeństwa i higieny pracy. Należy uważnie zapoznać się z poniższymi zaleceniami, a w szczególności z oddzielnie załączoną instrukcją bezpieczeństwa. Instrukcję należy starannie przechowywać!



*Sprawdź, czy napięcie sieciowe jest zgodne z parametrami na tabliczce znamionowej.*



*II klasy – Izolacja podwójna – Wasze gniazdo nie potrzebuje uziemienia.*

## Wymiana przewodów lub wtyczek

Jeśli przewód sieciowy zostanie uszkodzony, należy go wymienić na specjalny przewód sieciowy dostępny u producenta lub w jego dziale obsługi klienta. Wyrzuć stare przewody i wtyczki

zaraz po ich wymianie na nowe. Niebezpieczne jest wkładanie do gniazdka wtyczki przewodu, który nie jest podłączony do urządzenia.

### W przypadku zastosowania przedłużacza

Należy stosować odpowiednie przedłużacze przystosowane do mocy urządzenia. Źyłki takiego kabla muszą mieć minimalny przekrój 1,5 mm<sup>2</sup>. Jeśli kabel przedłużający jest nawinięty na bęben, należy go całkowicie rozwinąć.

## 2. INFORMACJE O MASZYNIE

### Przeznaczenie

Przecinarka ściernicowa jest przeznaczona do przecinania przedmiotów stalowych o różnych kształtach.

### Dane techniczne

Napięcie sieciowe	220V-240V~
Częstotliwość sieciowa	50/60Hz
Pobór mocy	2.300 W
Obroty znamionowe	4300/min
Tarcza tnąca*	Ø 355mm x Ø 25.4mm
Ciśnienie akustyczne L <sub>PA</sub>	92 dB(A) K=3
Moc akustyczna L <sub>WA</sub>	105 dB(A) K=3
Drgania a <sub>n,AG</sub>	2.90+1.5 m/s <sup>2</sup>
Ciężar	15.8kg

### Maks. rozmiar przedmiotów przecinanych pod kątem 90°

- Prostokątne	115mm x 125mm
- W kształcie L	135mm x 135mm
- Okrągłe	Ø 125mm

### Maks. rozmiar przedmiotów przecinanych pod kątem 45°

- Prostokątne	110mm x 102mm
- W kształcie L	110mm x 110mm
- Okrągłe	Ø 110mm

\* W przypadku niektórych krajów tarcza tnąca nie jest dołączona do zestawu.

### Poziom drgań

Poziom emisji drgań podany w tej instrukcji obsługi został zmierzony zgodnie ze standaryzowanym testem podanym w normie EN 62841; może on służyć do porównywania narzędzi ze sobą oraz do wstępnego oszacowania ekspozycji na drgania podczas użytkowania narzędzia do podanych zastosowań

- używanie narzędzia do innych zastosowań lub z innymi lub źle konserwowanymi akcesoriami może znacząco zwiększać poziom ekspozycji

- okresy, gdy narzędzie jest wyłączone lub okresy, gdy jest włączone, ale nie pracuje, mogą znacząco zmniejszać poziom ekspozycji

Chronić się przed wpływem drgań, konserwując odpowiednio narzędzie i akcesoria, utrzymując ciepłotę dłoni oraz odpowiednio organizując pracę.

### Opis

Liczby w tekście odnoszą się do rysunków na stronach 2-5.

#### Rys. A.

1. Górna osłona zabezpieczająca
2. Ruchoma osłona zabezpieczająca
3. Tarcza tnąca  
(\*nie dołączona do wszystkich modeli)
4. Osłona przeciwiwkrowa
5. Zacisk obrabianego przedmiotu

#### Rys. B.

6. Uchwyt
- 7a. Włącznik
- 7b. Przycisk wyłączenia blokady
8. Pokrywa szczotki węglowej
9. Przycisk blokady wrzeciona
- 10A. Śruba ogranicznika głębokości
- 10B. Nakrętka ogranicznika głębokości
11. Bolec blokady transportowej
12. Tylny zacisk obrabianego przedmiotu
13. Przedni zacisk obrabianego przedmiotu
14. Dźwignia blokady
15. Wrzeciono obrabianego przedmiotu
16. Klucz do wymiany tarczy

#### Rys. C.

3. Tarcza tnąca
17. Wrzeciono maszyny
18. Duża podkładka wewnętrzna
19. Duża podkładka zewnętrzna
20. Mała podkładka
21. Śruba tarczy

## 3. OBSŁUGA



Przed wymianą tarczy lub regulacją maszyny wyjąć wtyczkę zasilania z gniazdka ściennego.

## Demontaż blokady transportowej

### Rys. B

Maszyna jest wyposażona w bolec blokady transportowej (11), który utrzymuje ją w pozycji złożonej, ułatwiającej transport i magazynowanie. Przycisk blokady blokuje ruch przecinarki w pionie. Przed użyciem przecinarki blokadę należy usunąć.

- Aby zdemontować blokadę transportową, lekko docisnąć maszynę w dół. Dociskając maszynę w dół, wyjąć bolec blokady transportowej (11) drugą ręką.
- Po wyciągnięciu bolca (11) maszynę można swobodnie przesuwac w pionie.

## Montaż blokady transportowej

### Rys. B

- Wcisnąć maszynę do najniższego położenia.
- Następnie wcisnąć bolec blokady transportowej (11), aż wsunie się na miejsce.

## Montaż/demontaż tarczy tnącej

### Rys. A, B, C.



*Zawsze odłączyć wtyczkę zasilania z gniazdka przed rozpoczęciem wymiany tarczy*



*Podczas wymiany tarczy zawsze przestrzegać instrukcji dotyczących bezpieczeństwa*

## Demontaż tarczy tnącej

- Wyjąć klucz do tarczy (16) z podstawy maszyny
- Demontaż tarczy jest łatwiejszy, gdy ruchoma osłona zabezpieczająca (2) jest podniesiona.
- Wcisnąć przycisk blokady wrzeciona (9), aby zablokować ruch wrzeciona maszyny.
- Trzymać przycisk blokady wrzeciona wciśnięty (9). Założyć klucz (16) na śrubę tarczy i lekko ją obrócić, aż przycisk (9) zostanie maksymalnie wciśnięty do środka i ruch wrzeciona zostanie zablokowany.
- Usunąć śrubę (21), małą podkładkę (20) i dużą podkładkę zewnętrzną (19)
- Następnie zdemontować tarczę tnącą (3)

## Montaż tarczy tnącej

- Jeśli ta czynność jeszcze nie została wykonana, wykręcić śrubę (21), obracając ją przeciwnie do wskazówek zegara, a następnie usunąć małą podkładkę (20) i dużą podkładkę zewnętrzną (19).
- Założyć tarczę tnącą (3) na wrzeciono maszyny.
- Najpierw założyć dużą podkładkę zewnętrzną (19), potem małą podkładkę (20), a następnie śrubę mocującą (21) zgodnie z rysunkiem C, a następnie dokręcać ją ręką, aż wrzeciono zacznie się obracać wraz ze śrubą.
- Wcisnąć przycisk blokady wrzeciona (9), aby zablokować ruch wrzeciona maszyny.
- Trzymać przycisk blokady wrzeciona wciśnięty (9).

## Założyć klucz (16) na śrubę tarczy i lekko ją obrócić zgodnie ze wskazówkami zegara.

- Kiedy blokada wrzeciona zatrzyma obrót, dokręcić śrubę tarczy kluczem (16).
- Poluzować przycisk blokady wrzeciona, aby przycisk już nie blokował wrzeciona. Następnie sprawdzić, czy tarcza została zamontowana poprawnie:
- Obrócić tarczę (3) ręcznie o kilka obrotów, aby sprawdzić, czy obraca się swobodnie i jest dobrze wyosiowana.
- Włączyć maszynę i pozwolić jej pracować bez obciążenia przez co najmniej 3 minuty.

## Włącznik

### Rys. B

Maszynę włącza się, ręcznie naciskając włącznik spustowy (7). Maszynę wyłącza się, zwalniając włącznik spustowy.

## Zacisk obrabianego przedmiotu (5)

### Rys. A, B, D

- Umieścić obrabiany przedmiot między przednim zaciskiem (13) a tylnym zaciskiem (12).
- Podnieść blokadę (14) zgodnie z Rys. D i obracać uchwyt śruby (15), wkręcając pręt gwintowany naprzód, aż przedni zacisk (13) dotknie obrabianego przedmiotu.
- Następnie przestawić blokadę (14) w dół (aby zablokować wrzeciono) i solidnie unieruchomić obrabiany przedmiot, obracając uchwytem śruby (15).



## Cięcie ukosowe

### Rys. E

Maszyna pozwala na cięcie pod kątem od 00 do 450 dzięki regulacji ustawienia tylnego zacisku (12).

- Wykręcać 2 śruby M10 z łbami sześciokątnymi (22 i 23), które mocują tylny zacisk (12), aż imadło będzie mogło się poruszać.
- Następnie ustawić tylny zacisk (12) na prawidłowy kąt i ponownie dokręcić obie śruby (22 i 23).

## Przesuwanie tylnego imadła (w celu cięcia większych elementów)

### Rys. F

Imadło mieści przedmioty o maksymalnej wielkości 160 mm przy ustawieniach fabrycznych. Imadło można odsunąć do tyłu, aby umożliwić zamocowanie obrabianych przedmiotów o wielkości 195 mm, zgodnie ze zdjęciem po prawej stronie (rys. F).

- Całkowicie wykręcić 2 śruby M10 z łbami sześciokątnymi (22 i 23) na tylnym zacisku (12).
- Przesunąć zacisk (12) do tyłu i ponownie wkręcić śruby (22 i 23) przez tylne otwory połączeniowe.

## Regulacja ogranicznika głębokości:

### Rys. B

Maszyna jest wyposażona w śrubę ogranicznika głębokości, która pozwala na regulację maksymalnej głębokości cięcia.

- Jeśli konieczna jest regulacja głębokości cięcia, poluzować dolną nakrętkę (10B), a następnie ustawić głębokość cięcia, obracając górną śrubę (10A) w żądane położenie.
- Następnie ponownie dokręcić dolną nakrętkę (10B).

## Procedura przecinania:

Aby przeciąć materiał, zawsze postępować zgodnie z poniższą procedurą:

- Przed uruchomieniem maszyny dopilnować, aby obrabiany przedmiot był dobrze zaciśnięty i podparty.
- Uruchomić maszynę z tarczą w górnym położeniu i pozwolić jej pracować przez chwilę, aż osiągnie maksymalne obroty.
- Sprawdzić, czy tarcza obraca się swobodnie i nie wibruje.
- Delikatnie opuścić tarczę, aż zetknie się z obrabianym przedmiotem.

- Lekko dociskać uchwyt maszyny, dopilnowując, aby prędkość obrotowa tarczy nie spadała.
- Po zakończeniu cięcia zwolnić włącznik i delikatnie podnieść tarczę maszyny do góry.
- Usunąć obrabiany przedmiot dopiero po całkowitym zatrzymaniu się tarczy tnącej.



*Nie wywierać nadmiernego nacisku na uchwyt podczas cięcia, ponieważ spowoduje to przedwczesne zużycie tarczy oraz maszyny i nie przyspieszy cięcia.*

## Kontrola i wymiana szczotek węglowych

Silnik jest wyposażony w 2 szczotki węglowe, które zużywają się podczas użytkowania. Należy pamiętać o sprawdzaniu stanu szczotek węglowych, ponieważ zużyte szczotki mogą obniżyć wydajność maszyny i prowadzić do uszkodzenia silnika.

### Demontaż szczotek węglowych

#### Rys. B.

- Dopilnować, aby wtyczka zasilania była wyjęta z gniazdka ściennego.
- Zdjąć pokrywę szczotki węglowej (8).
- Zdemontować szczotki węglowe, delikatnie pociągając za sprężynę.
- Sprawdzić zużycie szczotek. Jeśli pozostała grubość szczotki jest mniejsza niż 6 mm, szczotka jest zużyta i należy ją niezwłocznie wymienić.
- Powtórzyć po drugiej stronie.

### Ponowny montaż szczotek węglowych

#### Rys. B.

- Dopilnować, aby wtyczka zasilania była wyjęta z gniazdka ściennego.
- Włożyć szczotki węglowe i wcisnąć sprężynę z powrotem na miejsce.
- Dociskając sprężynę, założyć pokrywę szczotki węglowej (8), a następnie obrócić ją zgodnie ze wskazówkami zegara.
- Po ponownym założeniu szczotek węglowych sprawdzić, czy maszyna pracuje płynnie bez iskrzenia.



*Zawsze wymieniać obie szczotki węglowe.*

## 4. KONSERWACJA



*Przed rozpoczęciem czyszczenia i konserwacji zawsze wyłączać maszynę i wyjmować wtyczkę zasilania sieciowego z gniazdka.*

Czyścić obudowę maszyny regularnie miękką ściereczką, najlepiej po każdym użyciu. Dopilnować, aby otwory wentylacyjne były wolne od pyłu, kurzu i zabrudzeń. Usuwać odporne zabrudzenia miękką ściereczką zwilżoną mydlinami. Nie używać żadnych rozpuszczalników, takich jak benzyna, alkohol, amoniak itp. Takie substancje chemiczne spowodują uszkodzenie części z tworzyw sztucznych.

## GWARANCJA

Warunki gwarancji są opisane w oddzielnej, dołączonej karcie gwarancyjnej.

## ŚRODOWISKO



*Uszkodzone i/lub niepotrzebne urządzenia elektryczne lub elektroniczne podlegają zbiórce w odpowiednich punktach recyklingu.*

### Tylko kraje WE

Nie wyrzucać elektronarzędzi wraz z odpadami z gospodarstw domowych. Zgodnie z dyrektywą 2012/19/EU dotyczącą zużytych urządzeń elektrycznych i elektronicznych oraz jej wdrożeniem do prawodawstwa krajowego, elektronarzędzia, które już nie nadają się do użytku, podlegają oddzielnej zbiórce oraz utylizacji w sposób przyjazny dla środowiska.

**Produkt i instrukcja obsługi podlegają zmianom. Dane techniczne podlegają zmianom bez uprzedzenia.**

## SKERSINICO PJOVIMO STAKLĖS 2300 W - 355 MM COM1007P

Ačiū, kad įsigijote šį FERM gaminį. Dabar turite puikų gaminį, kurį pateikia vieni svarbiausių Europos tiekėjų.

Visi „Ferm“ tiekiami gaminiai yra pagaminti pagal aukščiausius veikimo ir saugos standartus. Be to, mes užtikriname puikų techninį aptarnavimą, pagrįstą mūsų visapuse garantija.

Mes tikimės, kad šis įrankis puikiai tarnaus jums ilgus metus.

## 1. SAUGOS INSTRUKCIJA



**Perskaitykite pateiktus įspėjimus dėl saugos ir papildomas saugos taisykles bei nurodymus.** Jei bus nesilaikoma toliau pateiktų įspėjimų dėl saugos ir nurodymų, gali kilti elektros smūgio, gaisro ir (arba) sunkaus sužeidimo pavojus. **Išsaugokite saugos taisykles ir naudojimo instrukciją ateičiai.**

Šioje naudojimo instrukcijoje ir arba ant įrenginio naudojami simboliai:



*Perskaitykite naudojimo instrukciją.*



*Reiškia susižeidimo pavojų, pavojų gyvybei arba žalos įrankiui pavojų, jei nebus laikomasi šiame vadove paveiktų nurodymų.*



*Elektros smūgio pavojus*



*Nedelsdami ištraukite elektros kištuką iš elektros tinklo, jeigu maitinimo kabelis būtų pažeistas ir atlikdami valymo bei techninės priežiūros darbus.*



*Naudokite tik patalpose*



*II klasės prietaisas - dviguba izoliacija - nereikia jokio žeminto kištuko.*



*Visada naudokite akių apsaugos priemones!*



*Naudokite klausos apsaugos priemones.*



Mūvėkite apsaugines pirštines.



Saugokitės svaidomų objektų. Neleiskite į darbo vietą pašalinių asmenų.



Šis gaminys atitinka galiojančius Europos direktyvų standartus.

## Pjaustymo staklių saugos taisyklės - nurodymai, kaip pjaustyti

1. Pjovimui naudokite tik disko pjovimo kraštą (niekada nenaudokite šono). Ypač nespauskite disko iš šono, antraip jis užstrigs.
2. Laikykite rankas ir kūną atokiai nuo disko. Pjaudami įrenginiu, nedėvėkite laisvų rūbų, kuriuos jis galėtų įtraukti.
3. Atsargiai elkitės su diskinėmis pjovimo staklėmis; niekada nemėtykite jų, visada laikykite saugioje sausoje vietoje. Saugokite nuo pernelyg aukštos ir žemos temperatūros bei drėgmės.
4. Užtikrinkite, kad visos disko jungės ir kitos sumontuotos dalys būtų geros būklės ir sumontuotos pagal instrukciją. Dėl sugadintų arba pamestų dalių gali būti pažeistas diskas. Visada naudokite su šiuos įrenginiu pateiktas junges.
5. Niekada nenaudokite pažeistų diskų, nes tai gali būti pavojinga. Keisdami diską, pirmiausiai išjunkite įrenginį. Pasukite diską ranka ir patikrinkite, ar jame nėra nelygumų, sulankstytų vietų ir įtrūkimų. Jei tokių rastumėte, pasirūpinkite, kad diskas būtų nuimtas ir pakeistas nauju. Diską taip pat pakeiskite, jei jis nukristų ant grindų. Jis gali tapti trapus, net nei nematote jokių akivaizdžių pažeidimų.
6. Prieš pradėdami pjauti, atlikite bandomąjį paleidimą, t. y. atsitraukite per vieną žingsnį, įjunkite variklį ir įsitinkinkite, ar diskas tinkamai veikia. Pakeitę diską, leiskite staklėms paveikti tris minutes; paskui, prieš pradėdami įprastą darbą, atlikite bandomąjį paleidimą - leiskite jam paveikti vieną minutę.
7. Įrenginiui veikiant, niekada nebandykite patraukti ruošinio arba įtvirtinti ruošinio. Visada palaukite, kol diskas visiškai sustos, prieš patraukdami ruošinį arba keisdami nuostatas.
8. Prieš montuodami diską, visada patikrinkite dervuotą ir gumuotą diską, ar jis nesulūžęs.
9. Visada patikrinkite, ar maksimalus nurodytas disko sukimosi greitis atitinka maksimalų leistiną variklio greitį. Niekada neviršykite maksimalaus leistino, ant disko pažymėto sukimosi greičio.
10. Niekada nebandykite jėga montuoti disko ant įrenginio arba keisti ašių dydžio. Niekada nenaudokite diskų, kurie netinka. Naudokite tik tuos diskus, kurie tinka įrenginiui.
11. Nebandykite uždėti pjūklo diskų ant įrenginio, nes jie nėra skirti medienai pjaustyti.
12. Nepradėkite pjauti, kol variklis nepasiekęs maksimalaus greičio.
13. Jei įrenginiui veikiant diskas nustotų sukstis arba variklis būtų perkrautas ir pradėtų kaukti, tuoj pat išjunkite įrenginį.
14. Laikykite lengvai užsiliepsnojančius arba dužius daiktus atokiai nuo įrenginio. Įrenginio naudotojas privalo saugoti savo rankas, veidą ar kojas nuo pjaustant lekiančių žiežirbų.
15. Įrenginį statykite ant tvirto plokščio, lygus paviršiaus.
16. Naudokite įrenginį, prijungtą prie elektros tinklo, kurio įtampa atitinka nurodytąją duomenų plokštelėje.
17. Niekada nelieskite nupjautos ruošinio dalies - pirmiausiai visada palaukite, kol jis atvės.
18. Niekada nebandykite pjauti ruošinių, kurie viršija leistiną dydį.
19. Pjovimo metu niekada nestovėkite pjovimo kryptimi. Visada stovėkite kuriame nors šone.
20. Saugos įtaisai visada privalo būti sumontuoti.
21. Visada pjaukite lėtai ir atsargiai. Stenkitės nenuleisti disko ant ruošinio trūkčiojančiu judesiu.
22. Niekada nestumkite ruošinio disko link, laikydami jį rankomis. Ruošinį visada įtvirtinkite spaustuvais.
23. Rankas laikykite atokiai nuo pjovimo disko. Niekada nepjaukite ruošinių, kuriuos reikia atremti arčiau nei 15 cm nuo besisukančio disko.
24. Įsitinkinkite, ar ruošinys yra tinkamai atremtas.
25. Niekada nenaudokite pjovimo skysčių. Šie skysčiai gali užsiliepsnoti arba sukelti elektros smūgį.
26. Nepjaustykite ruošinių iš ketaus.
27. Nepjaustykite plastikų, medienos ar sintetinių medžiagų.
28. Nepjaustykite ruošinių iš magnio

## Elektros saugumo priemonės

Laikydami esį jūsų šalyje galiojančių elektrinių įrenginių naudojimosi saugumo taisyklių sumažinsite gaisro, elektros krūvio smūgio ir susižeidimo riziką. Perskaitykite šias bei pridėtas saugumo taisykles. Instrukcijas laikykite saugioje vietoje!



Visada patikrinkite, ar maitinimo įtampa atitinka įrankio techniniame pase nurodytą įtampą.



II klasės įrenginys – Dviguba izoliacija – Nereikalingas žemintas kištukas.

### Kabelių ir kištukų keitimas

Jei maitinimo kabelis yra pažeistas, jį reikia pakeisti specialiu maitinimo kabeliu, kurį galima įsigyti iš gamintojo arba gamintojo vartotojų aptarnavimo skyriaus. Pakeitę kabelius ir kištukus naujais, senuosius tuoj pat išmeskite. Pavojinga įkišti į maitinimo tinklo lizdą palaido kabelio kištuką.

### Pailginimo kabeliai

Naudokite tik aprobuotus pailginimo kabelius, tinkamus įrenginio maitinimo kabelio kištukui. Minimalus laidininko skerspjūvio plotas yra 1.5 mm<sup>2</sup>. Naudodami kabelio rit' visuomet pilnai ją išvyniokite.

## 2. INFORMACIJA APIE ĮRENGINĮ

### Numatytoji naudojimo paskirtis

Pjaustymo staklės skirtos įvairių formų plieno medžiagoms pjaustyti.

### Techniniai duomenys

Elektros tinklo įtampa	220-240 V~
Elektros tinklo dažnis	50/60 Hz
Galia	2.300 W
Nominalus greitis	4300/min.
Pjaunamojo disko matmenys*	Ø 355mm x Ø 25.4mm
Garso slėgis L <sub>PA</sub>	92 dB(A) K=3
Garso galia L <sub>WA</sub>	105 dB(A) K=3
Vibracija a <sub>h,AG</sub>	2.90+1.5m/s <sup>2</sup>
Svoris	15.8 kg

### Maks. pjovimo geba pjaunant 90° kampu

- Stačiakampio formos	115 mm x 125 mm
- L formos	135 mm x 135 mm
- Apvalios formos	Ø 125 mm

### Maks. pjovimo geba pjaunant 45° kampu

- Stačiakampio formos	110 mm x 102 mm
- L formos	110 mm x 110 mm
- Apvalios formos	Ø 110mm

\* Kai kuriose šalyse įrenginys pateikiamas be pjovimo disko.

### Vibracijos lygis

Šioje naudojimo instrukcijoje nurodytas vibracijos lygis nustatytas atsižvelgiant į standartinį bandymo metodą, pateiktą EN 62841; jį galima naudoti palyginimui su kitais įrankiais ir preliminarium vibracijos poveikio įvertinimui naudojant įrankį minėtiems darbams atlikti

- naudojant įrankį kitokiems darbams arba naudojant su kitokiais arba prastai techniškai prižiūretais priedais, poveikio lygis gali ženkliai padidėti
- kai įrankis yra išjungtas arba kai jis veikia, bet faktiškai nėra naudojamas, poveikio lygis gali ženkliai sumažėti

Apsisaugokite nuo vibracijos poveikio, techniškai prižiūretdami įrankį ir jo priedus, laikydami rankas šiltai, planuodami darbus.

### Aprašas

Šiame tekste esantys skaičiai atitinka 2-5 psl. esančius brėžinius.

### A pav.

1. Viršutinis apsauginis gaubtas
2. Judamasis apsauginis gaubtas
3. Pjovimo diskas (\*pateikiamas ne su visais modeliais)
4. kibirkščių kreiptuvas
5. Ruošinio spaustuvas

### B pav.

6. Rankena
- 7a. Įjungimo / išjungimo jungiklis
- 7b. Atlaisvinimo mygtukas
8. Anglinio šepetėlio gaubtelis
9. Veleno fiksavimo mygtukas
- 10A. Gylio stabdiklio sraigtas
- 10B. Gylio stabdiklio veržlė
11. Transportavimo fiksavimo kaištis
12. Ruošinio galinis spaustuvas

13. Ruošinio priekinis spaustuvas
14. Fiksavimo svirtis
15. Ruošinio stūmiklis
16. Disko keitimo veržliaraktis

#### C pav.

3. Pjovimo diskas
17. Įrenginio velenas
18. Didelė vidinė poveržlė
19. Didelė išorinė poveržlė
20. Maža poveržlė
21. Disko sraigtas

### 3. NAUDOJIMAS



*Prieš keisdami diskus arba reguliuodami įrenginį, pirmiausiai ištraukite elektros laido kištuką iš sieninio lizdo.*

#### Transportavimo fiksatoriaus išėmimas, B pav.

Įrenginys turi transportavimo fiksavimo kaištį (11), kuris laiko jį nuleistą ir leidžia lengvai jį vežti bei saugoti. Fiksavimo mygtukas blokuoja staklių judėjimą aukštyn / žemyn. Prieš pradėdant naudotis staklėmis, jį privaloma išjungti.

- Ištraukite transportavimo kaištį, šiek tiek spustelėdami įrenginį žemyn. Spaudžiant žemyn, transportavimo fiksavimo kaištį (11) galima ištraukti kita ranka.
- Ištraukus kaištį (11), įrenginį galima laisvai pakelti ir nuleisti.

#### Transportavimo fiksatoriaus suaktyvinimas, B pav.

- Nuleiskite įrenginį į žemiausią padėtį.
- Tada stumkite transportavimo fiksavimo kaištį (11), kol jis tinkamai užsifiksuos

#### Pjovimo disko uždėjimas / nuėmimas, A, B, C pav.



*Visada ištraukite elektros kištuką, prieš keisdami diskus*



*Keisdami diskus, visada vadovaukitės atitinkamomis saugos taisyklėmis*

#### Pjovimo disko nuėmimas

- Išimkite disko veržliaraktį (16) iš įrenginio pagrindo
- Diską nuimti lengviau, kai judamasis apsauginis gaubtas (2) yra pakeltas.
- Paspauskite veleno fiksavimo mygtuką (9), kad įrenginio velenas negalėtų pajudėti.
- Laikykite nuspaudę veleno fiksavimo mygtuką (9). Dėkite veržliaraktį (16) ant disko sraigto ir šiek tiek jį sukite tol, kol mygtukas (9) bus maksimaliai įspaustas ir velenas nebegalės sukstis.
- Pašalinkite sraigą (21), mažą poveržlę (20), didelę išorinę poveržlę (19)
- Tada pašalinkite pjovimo diską (3)

#### Pjovimo disko montavimas

- Jei to dar nepadarėte, atsukite sraigą (21), sukdami jį prieš laikrodžio rodyklę, tada nuimkite mažą poveržlę (20) ir didelę išorinę poveržlę (19).
- Dėkite pjovimo diską (3) ant įrenginio veleno.
- Pirmiausiai uždėkite didelę išorinę poveržlę (19), tada mažą poveržlę (20) ir pagaliau fiksavimo sraigą (21), kaip pavaizduota C pav., tada veržkite jį ranka, kol velenas pradės sukstis.
- Paspauskite veleno fiksavimo mygtuką (9), kad įrenginio velenas negalėtų pajudėti.
- Laikykite nuspaudę veleno fiksavimo mygtuką (9). Dėkite veržliaraktį (16) ant disko sraigto ir šiek tiek pasukite jį pagal laikrodžio rodyklę.
- Kai veleno fiksatorius nebeleis velenui sukstis, užveržkite disko sraigą veržliarakčiu (16).
- Atleiskite veleno fiksavimo mygtuką ir įsitikinkite, ar veleno fiksavimo mygtukas daugiau neblokuoja veleno.

*Tada patikrinkite, ar diskas yra tinkamai surinktas:*

- Kelis kartus pasukite diską (3) ranka, kad patikrintumėte, ar jis laisvai sukasi ir yra tinkamai sulygiuotas.
- Įjunkite įrenginį ir leiskite įrenginiui paveikti bent 3 minutes.

#### Įjungimo / išjungimo jungiklis, B pav.

Įjungimo / išjungimo jungiklis (7) suaktyvinamas rankomis, spaudžiant jungiklio gaiduką. Atleidus gaiduką, jis vėl išjungiamas.

### Ruošinio spaustuvas (5), A, B ir D pav.

- Dėkite ruošinį tarp priekinio spaustuvo (13) ir galinio spaustuvo (12).
- Pakelkite stabdiklį (14), kaip pavaizduota D pav., ir sukite sraigtinę rankeną (15) pirmyn, kol priekinis stabdiklis (13) palies ruošinį.
- Tada nuleiskite stabdiklį (14) (kad užfiksuotumėte veleną) ir tvirtai užfiksuokite ruošinį, sukdami sraigtinę rankeną (15).

### Pjovimas kampais, E pav.

Įrenginiu galima pjaustyti 00-450 kampais, reguliuojant galinį spaustuvą (12).

- Atsukite du sraigtus M10 šešiakampėmis galvutėmis (22 ir 23), kurie laiko galinį spaustuvą (12) tiek, kad spaustuvai galėtų judėti.
- Tada nustatykite galinį spaustuvą (12) reikiamu kampu ir vėl užveržkite sraigtus (22 ir 23).

### Galinių spaustuvių patraukimas (didesniems ruošiniams pjauti), F pav.

Iš gamyklos pristatytame įrenginyje spaustuvais galima įtvirtinti maksimaliai 160 mm dydžio ruošinį. Spaustuvas gale galima sureguliuoti, kad galima būtų pjauti 195 mm dydžio ruošinius, kaip pavaizduota dešinėje esančiame paveikslėlyje (F pav.).

- Visiškai atsukite du šešiakampius galinio spaustuvo (12) sraigtus M10 (22 ir 23).
- Patraukite spaustuvą (12) atgal ir vėl užveržkite sraigtus (22 ir 23) galinėse tvirtinimo skylėse.

### Gylio stabdiklio reguliavimas, B pav.

Įrenginyje yra įrengtas gylis stabdiklio sraigtas; šiuo sraigtu galima reguliuoti maksimalų pjovimo gylį.

- Jei reikia sureguliuoti pjovimo gylį, atlaisvinkite apatinę veržlę (10B), tada nustatykite gylis nuostatą, sukdami viršutinį sraigą (10A) iki norimos padėties.
- Paskui vėl užsukite apatinę veržlę (10B).

### Pjovimo darbo tvarka:

Norėdami pjauti ruošinius, visada vadovaukitės šia darbo tvarka:

- Prieš įjungdami įrenginį, įsitinkinkite, ar ruošinys yra tinkamai įtvirtintas ir atremtas.
- Įjunkite įrenginį, kai jis yra pakeltas, ir leiskite jam šiek tiek paveikti, kol jis pasieks maks. greitį.
- Įsitinkinkite, ar diskas sukasi laisvai ir nevibruoja.
- Atsargiai leiskite įrenginį, kol jis palies ruošinį.
- Spauskite rankeną, naudodami šokią tokią jėgą, kad diskas neatšoktų.

- Pabaigę pjauti, atleiskite įjungimo / išjungimo jungiklį ir atsargiai pakelkite įrenginį.
- Ruošinį patraukite tik tada, kai pjovimo diskas bus visiškai sustojęs.



*Pjaudami nespauskite rankenos per daug smarkiai, nes diskas ir įrenginys tik greičiau dėvėsisi, o ne greičiau nepjaus.*

### Anglies šepetėlių tikrinimas ir keitimas

Variklis turi 2 anglinius šepetėlius, kurie laikui bėgant nusidėvės. Svarbu tikrinti anglinių šepetėlių būseną, nes dėl nusidėvėjusio anglinio šepetėlio gali suprastėti darbo našumas ir gali sugesti variklis.

#### Anglinių šepetėlių išėmimas, B pav.

- Elektros kištukas privalo būti ištrauktas iš sieninio lizdo.
- Nuimkite anglinio šepetėlio dangtelį (8).
- Išimkite anglinius šepetėlius, atsargiai traukdami spyruoklę.
- Patikrinkite šepetėlių bloką, ar jis nenusidėvėjęs: jei liko mažiau nei 6 mm, anglinis šepetėlis yra nusidėvėjęs ir jį reikia tuoj pat pakeisti.
- Pakartokite tą patį kitoje pusėje.

#### Anglinių šepetėlių įdėjimas, B pav.

- Elektros kištukas privalo būti ištrauktas iš sieninio lizdo.
- Įdėkite anglinius šepetėlius ir vėl įspauskite spyruoklę.
- Uždėkite anglinio šepetėlio dangtelį (8), laikydami įspausą spyruoklę, ir užsukite dangtelį pagal laikrodžio rodyklę.
- Sumontavę abu anglinius šepetėlius, patikrinkite įrenginį, ar jis sklandžiai veikia ir nekibirkščiuoja.



*Visada keiskite abu anglinius šepetėlius.*

## 4. TECHNINĒ PRIEŽIŪRA



*Priekš atlikdami valymo ir tehninās priežiūros darbus, visada išjunkite jį ir ištraukite maitinimo laido kištuką iš elektros lizdo.*

Reguliariai valykite prietaiso korpusą minkšta šluoste, pageidautina po kiekvieno panaudojimo. Ventilacijos angos privalo būti nedulkėtos ir švarios. Įsisenėjusį purvą nuvalykite minkšta šluoste, suvilgyta muiluotame vandenyje. Nenaudokite jokių tirpiklių, pavyzdžiui benzino, alkoholio, amoniako ir pan. Tokie chemikalai gali pažeisti sintetinius komponentus.

## GARANTIJA

Garantines sąlygas galite rasti atskirai pridėtoje garantijos kortelėje.

## APLINKOSAUGA



*Sugedusius ir (arba) išmestus elektrinius arba elektroninius aparatus reikia pristatyti į atitinkamus perdirbimo punktus.*

### Taikoma tik EB šalims

Neišmeskite elektrinių įrankių kartu su įprastomis buitinėmis atliekomis. Atsižvelgiant į ES Direktyvą 2012/19/EB dėl elektrinių ir elektroninių įrenginių bei jos įgyvendinimą pagal nacionalinius teisės aktus, visi elektriniai įrankiai privalo būti surenkami atskirai nuo buitinių atliekų bei perdirbami tokiu būdu, kad nebūtų daroma žala aplinkai.

**Gaminys ir naudojimo instrukcija gali būti keičiami. Techniniai duomenys gali būti keičiami ne išankstinio įspėjimo.**

## Lenkzągis 2300 W - 355 mm COM1007P

Pateiciamies, ka iegādājāties šo FERM izstrādājumu. Tādējādi jums tagad ir lielisks izstrādājums, ko izgatavojis viens no Eiropas vadošajiem ražotājiem. Visi izstrādājumi, ko ražojis Ferm, ir izgatavoti atbilstoši visaugstākajiem veiktspējas un drošības standartiem. Mūsu filozofijas pamatā ir arī izcilis klientu apkalpošanas serviss, kas ietilpst mūsu daudzpusīgajā garantijā. Mēs ceram, ka šo izstrādājumu ar prieku lietosiet gadiem ilgi.

## 1. DROŠĪBAS NORĀDĪJUMI



**Izlasiet šeit pievienotos drošības brīdinājumus, papildu drošības brīdinājumus un norādījumus.** Ja

*netiek ievēroti drošības brīdinājumi un norādījumi, var gūt elektriskās strāvas triecienu, izraisīt ugunsgrēku un/vai gūt smagus ievainojumus.*

**Saglabājiet drošības brīdinājumus un norādījumus turpmākām uzziņām**

Šajā lietošanas rokasgrāmatā vai uz instrumenta tiek lietoti šādi apzīmējumi:



*Izlasiet lietošanas rokasgrāmatu.*



*Apzīmē ievainojuma, nāves vai instrumenta bojājuma risku, ja netiek ievēroti šajā rokasgrāmatā sniegtie norādījumi.*



*Elektriskās strāvas triecienu risks.*



*Nekavējoties atvienojiet kontaktdakšu no elektrotīkla, ja barošanas vads ir bojāts vai ja veicat tīrīšanu un apkopi.*



*Lietošanai tikai telpās*



*II kategorijas instruments; dubulta izolācija; nav jālieto sazemēta kontaktdakša.*



*Vienmēr valkājiet acu aizsargus!*



*Valkājiet ausu aizsargus.*



*Valkājiet aizsargcimdus.*



*Pa gaisu lidojošu priekšmetu bīstamība.*



*Nelaujiet nepiederošām personām  
atrasties darba zonā.*



*Izstrādājums atbilst spēkā esošiem  
Eiropas direktīvu drošības standartiem.*

### **Drošības norādījumi leņķzāģiem - norādes griešanai**

1. Griešanai vienmēr izmantojiet tikai un vienīgi diska aso malu (bet nekad ne sānus). Izvairieties disku spiest sāniski, īpaši izraisot tā iesprūšanu.
2. Rokas un ķermeni turiet atstatu no diska. Veicot griešanu ar instrumentu, nenēsājiet vaļīgu apģērbu, ko tajā varētu ievilk.
3. Rīkojieties ar leņķzāģi rūpīgi, nenometiet to zemē, vienmēr uzglabājiet drošā un sausā vietā. Izvairieties no ekstremālām temperatūrām un mitruma.
4. Nodrošiniet, lai visi diska atloki un citas uzstādītās detaļas būtu labā stāvoklī un saliktas atbilstoši norādījumiem. Bojātu vai trūkstošu detaļu dēļ disku var sabojāt. Vienmēr izmantojiet tos atlokus, kas ir instrumenta komplektācijā.
5. Ar bojātiem diskiem strādāt nedrīkst, jo tie var būt bīstami. Nomainot disku, vispirms izslēdziet instrumentu. Pagrieziet disku ar roku un apskatiet, vai tas nav nelīdzens, salocījies vai ielplaisājies. Ja ko tādu redzat, izņemiet disku un nomainiet ar jaunu. Ja gadījies disku nomest zemē, tas jānomaina. Tas var būt kļuvis trausls - pat ja nav saskatāmi nekādi šķietami bojājumi.
6. Pirms uzsākt griešanu, iemēģiniet disku - atkāpieties soli atpakaļ, ieslēdziet motoru un pārļiecinieties, vai disks darbojas pareizi. Pēc diska nomainīšanas trīs minūtes padarbiniet zāģi; citreiz, pirms uzsākt parasto darbu, padarbiniet to vienu minūti.
7. Kad instruments iedarbināts, nedrīkst ņemt ārā sagatavi vai to iespīlēt. Pirms ņemt ārā sagatavi vai nomainīt iestatījumus, vienmēr nogaidiet, līdz disks pilnībā pārstājis griezties.
8. Pirms uzstādīt disku ar kaučuka vai gumijas pārklājumu, vienmēr pārbaudiet, vai tas nav ielplaisājies.

9. Vienmēr veiciet salīdzinošo pārbaudi, vai diska leņķa slīpmašīnas maksimālais darba ātrums sakrīt ar motora maksimālo pieļaujamo ātrumu. Nedrīkst pārsniegt uz diska norādīto maksimālo pieļaujamo ātrumu.
10. Nemēģiniet disku uz instrumenta uzstādīt ar spēku, un nedrīkst mainīt asu izmēru. Diskus, kas neder, izmantot nedrīkst. Izmantojiet tikai tādus diskus, kas der instrumentam.
11. Nemēģiniet instrumentam piestiprināt zāģa asmeņus, jo tas nav paredzēta koka zāģēšanai.
12. Neuzsāciet griešanu, pirms motors sasniedzis pilnus apgriezienus.
13. Ja, strādājot ar instrumentu, disks vairs negriežas vai izklausās, ka motoram ir pārslodze, nekavējoties izslēdziet instrumentu.
14. Viegli uzliesmojošus vai trauslus priekšmetus turiet atstatu no instrumenta. Instrumenta operatoram jāuzmanās, lai uz rokām, sejas vai kājām nononāktu griešanas laikā lecošās dzirksteles.
15. Instrumentu stabili novietojiet uz līdzenas un gludas virsmas.
16. Instrumentu darbiniet ar spriegumu, kāds norādīts uz plāksnītes.
17. Nedrīkst pieskarties tikko nogrieztai sagataves daļai, vienmēr ļaujiet tai vispirms padzist.
18. Nemēģiniet griezt sagataves, kas pārsniedz pieļaujamo izmēru.
19. Griešanas laikā nestāviet griešanas virzienā. Stāviet vienmēr iesāņus.
20. Drošības ierīcēm vienmēr jābūt uzstādītām.
21. Griešanu vienmēr veiciet lēni un uzmanīgi. Izvairieties disku tuvināt sagatavei ar saraustītām kustībām.
22. Nedrīkst stumt sagatavi pret disku, turot to rokās. Lai nostiprinātu sagatavi, izmantojiet iespīlētāju.
23. Rokas turiet atstatu no griezējdiska. Nedrīkst griezt tādas sagataves, kuras nepieciešams pieturēt ar rokām tuvāk par 15 cm no rotējošā diska.
24. Nodrošiniet, lai sagatave tiktu pareizi pieturēta.
25. Nedrīkst izmantot griešanas šķidrumus. Šādi šķidrumi var aizdegties vai izraisīt strāvas triecienu.
26. Negrieziet čugunu
27. Negrieziet plastmasu, koku vai sintētiskus materiālus.
28. Negrieziet magniju



## Elektriskā drošība

Lietojot elektriskās mašīnas, vienmēr ievērojiet drošības noteikumus, kas tiek piemēroti jūsu valstī, lai samazinātu ugunsgrēka, elektriskā šoka un personāla traumēšanas risku. Izlasiet sekojošās drošības instrukcijas un arī pievienotās drošības instrukcijas. Glabājiet šīs instrukcijas drošā vietā!



Vienmēr pārbaudiet, ka elektriskā padeve atbilst spriegumam uz parametru plāksnes.



II klases mašīna – Dubultā izolācija – Nav vajadzīga iezemēta kontaktdakša.

### Kabeļa vai kontaktdakšas nomaīņa

Ja barošanas kabelis tiek bojāts, tas jānomaina ar speciālo barošanas kabeli, kuru var iegādāties pie ražotāja vai ražotāja klientu servisā. Izmetiet vecus kabelus un kontaktdakšas uzreiz pēc to nomaīņas ar jauniem izstrādājumiem. Ir bīstami ieslēgt nepievienotā kabeļa kontaktdakšu kontaktligzdā.

### Pagarinātāju lietošana

Lietojiet tikai sankcionētus pagarinātājus, kas ir piemēroti mašīnas padeves jaudai. Minimālais vada šķēsgriezums ir 1.5 mm<sup>2</sup>. Izmantojot kabeļa spoli, vienmēr spoli pilnīgi iztīniet.

## 2. INSTRUMENTA DATI

### Paredzētais lietojums

Leņķzāģis paredzēts tērauda materiālu griešanai dažādās formās.

#### Tehniskie dati

Elektrotīkla spriegums	220-240 V~
Elektrotīkla frekvence	50/60 Hz
Ieejas jauda	2.300 W
Nominālais ātrums	4300 apgr./min
Zāģa asmens izmēri*	Ø 355mm x Ø 25.4mm
Skaņas spiediens L <sub>PA</sub>	92 dB(A) K=3
Skaņas jauda L <sub>WA</sub>	105 dB(A) K=3
Vibrācija a <sub>h,AG</sub>	2.90+1.5m/s <sup>2</sup>
Svars	15.8 kg

#### Maks. griešanas jauda 90°

- Taisnstūra	115 mm x 125 mm
- L veida	135 mm x 135 mm
- Apaļa	Ø 125 mm

#### Maks. griešanas jauda 45°

- Taisnstūra	110 mm x 102 mm
- L veida	110 mm x 110 mm
- Apaļa	Ø 110 mm

\* Dažām valstīm griezējdiskus nav iekļauts komplektācijā.

### Vibrāciju līmenis

Šajā lietošanas rokasgrāmatā norādītā vibrāciju emisijas vērtība ir izmērīta saskaņā ar standarta pārbaudes metodi, kas norādīta EN 62841, un to var izmantot viena instrumenta salīdzināšanai ar citu un tam, lai iepriekš novērtētu vibrācijas iedarbību, ja instrumentu lieto iepriekš minēto darbu veikšanai:

- vibrāciju iedarbība var būt ievērojami lielāka, ja instrumentu lieto citu darbu veikšanai, ja tam uzstāda citus piederumus vai ja uzstādītajiem piederumiem nav veikta pietiekami laba apkope;
- vibrācijas iedarbība var būt ievērojami mazāka tajā laikā, kad instruments ir izslēgts vai darbojas tukšgaitā.

Pasargājiet sevi no vibrācijas iedarbības, veicot instrumenta un piederumu apkopi, rūpējoties, lai rokas būtu siltas un organizējot darba gaitu.

### Apraksts

Tekstā norādītie numuri attiecas uz 2. - 5. lpp. redzamajiem attēliem.

#### A att.

- Augšējais drošības aizsargs
- Pārvietojamais drošības aizsargs
- Griezējdiskus (\*nav iekļauts visiem modeļiem)
- Dzirkstelju novirzītājs
- Sagataves iespilētājs

#### B att.

- Rokturis
- Ieslēgšanas/izslēgšanas slēdzis
- Bloķēšanas poga
- Oglekļa suku pārsegs
- Vārpstas bloķēšanas poga
- Dziļuma aiztura skrūve
- Dziļuma aiztura uzgrieznis

11. Pārvadāšanas blokatora tapa
12. Sagataves aizmugurējais iespilētājs
13. Sagataves priekšējais iespilētājs
14. Atdura svira
15. Sagataves vārpsta
16. Uzgriežņu atslēga diska nomaiņai

#### C att.

3. Griezējdiska
17. Instrumenta vārpsta
18. Lielā iekšējā paplāksne
19. Lielā ārējā paplāksne
20. Mazā paplāksne
21. Diska skrūve

### 3. EKSPLUATĀCIJA



*Pirms asmeņu nomaiņas vai instrumenta regulēšanas vispirms atvienojiet kontaktdakšu no sienas rozetes.*

#### Pārvadāšanas blokatora noņemšana, B att.

Instrumentam ir pārvadāšanas blokatora tapa (11), kas to tur nospiestu lejā un ļauj instrumentu viegli pārvadāt un uzglabāt. Blokators neļauj zāģim kustēties uz augšu un uz leju. Pirms zāģa lietošanas tas jāatbrīvo.

- Noņemiet pārvadāšanas blokatoru, instrumentu nedaudz pastumjot uz leju. Stumjot uz leju, ar otru roku var izvilkēt pārvadāšanas blokatora tapu (11).
- Kad tapa (11) izvilkta, instruments var brīvi kustēties uz augšu un uz leju.

#### Pārvadāšanas blokatora uzlikšana, B att.

- Stumiet instrumentu uz leju līdz zemākajam stāvoklim.
- Iebīdīet pārvadāšanas blokatora tapu (11), līdz tā ir vietā

#### Griešanas diska uzlikšana/noņemšana

##### A, B, C att.



*Pirms diska nomaiņas atvienojiet strāvas kontaktdakšu.*



*Veicot diska nomaiņu, vienmēr ieskatīties atbilstošajos drošības norādījumos.*

#### Griešanas diska noņemšana

- Paņemiet diska uzgriežņu atslēgu (16) no instrumenta pamatnes.
- Disku noņemt ir vieglāk, ja pacelts kustīgais drošības aizsargs (2).
- Lai nobloķētu instrumenta vārpstu, nospiediet vārpstas bloķēšanas pogu (9).
- Turiet nospiestu vārpstas bloķēšanas pogu (9). Uzlieciet uzgriežņu atslēgu (16) uz diska skrūves un nedaudz pagrieziet, līdz poga (9) iebīdīta maksimāli un vārpstas griešanās ir bloķēta.
- Izņemiet skrūvi (21), mazo paplāksni (20), lielo ārējo paplāksni (19).
- Tad izņemiet griezējdisku (3).

#### Griezējdiska uzstādīšana

- Ja tas vēl nav izdarīts, izņemiet skrūvi (21), griežot to pretēji pulksteņrādītāja kustības virzienam, tad izņemiet mazo paplāksni (20) un lielo ārējo paplāksni (19).
- Griezējdisku (3) uzlieciet uz instrumenta vārpstas.
- Vispirms uzlieciet lielo ārējo paplāksni (19), tad mazo paplāksni (20), un pēc tam fiksējošo skrūvi (21), kā parādīts C att., un pievelciet ar roku, līdz vārpsta sāk griezties.
- Lai nobloķētu instrumenta vārpstu, nospiediet vārpstas bloķēšanas pogu (9).
- Turiet nospiestu vārpstas bloķēšanas pogu (9). Diska skrūvei uzlieciet uzgriežņu atslēgu (16) un nedaudz pagrieziet pulksteņrādītāja kustības virzienā.
- Kad vārpstas blokators aiztur griešanos, ar uzgriežņu atslēgu (16) pievelciet diska skrūvi.
- Atbrīvojiet vārpstas bloķēšanas pogu un pārliecinieties, vai tā vairs nebloķē vārpstu.

#### Tad pārbaudiet, vai diska uzmontēts pareizi:

- pāris apgriezienus pagrieziet disku (3) ar roku, lai pārbaudītu, vai tas griežas brīvi un izlīdzināti.
- Ieslēdziet instrumentu un padarbiniet vismaz 3 minūtes.

#### Ieslēgšanas/izslēgšanas slēdzis, B att.

Ieslēgšanas/izslēgšanas slēdzi (7) iedarbina ar roku, pavelkot slēdža mēlīti. To atslēdz, atbrīvojot mēlīti.

#### Sagataves iespilētājs (5), A, B un D att.

- Ievietojiet sagatavi starp priekšējo (13) un aizmugurējo (12) iespilētāju.

- Paceliet aizturu (14), kā parādīts D att., un grieziēt skrūves rokturi (15) uz priekšu, līdz priekšējais iespilētājs (13) pieskaras sagatavei.
- Tad virziet aizturu (14) uz leju (lai nobloķētu vārpstu) un droši nostipriniet sagatavi, pagriežot skrūves rokturi (15).

### Griešana slīpā leņķī, E att.

Ar instrumentu iespējams griezt leņķī no 00 līdz 450, noregulējot aizmugurējo iespilētāju (12).

- Atbrīvojiet 2 M10 iedziļinātās sešstūra skrūves (22 un 23), kas notur aizmugurējo iespilētāju, (12) līdz spīles var kustēties.
- Tad iestatiet aizmugurējo iespilētāju (12) pareizajā leņķī un atkal pievelciet skrūves (22 un 23).

### Aizmugurējo spīļu pārvietošana (ja jāgriež lielāka izmēra sagataves), F att.

Kad skrūvspīles saņemtas no rūpnīcas, tajās var ievietot sagatavi ar maksimālo izmēru 160 mm. Skrūvspīles var noregulēt uz aizmuguri, lai tajās varētu ievietot 195 mm lielu sagatavi, kā tas parādīts attēlā pa labi (F att.).

- Pilnībā atbrīvojiet aizmugurējā iespilētāja (12) 2 M10 sešstūra skrūves (22 un 23). Virziet iespilētāju (12) uz aizmuguri un atkal nostipriniet skrūves (22 un 23) aizmugurējos caurumos.

### Dziļuma aiztura regulēšana, B att.

Instrumentam ir dziļuma aizturskrūve, ar kuras palīdzību var noregulēt maksimālo griešanas dziļumu.

- Ja nepieciešams noregulēt griešanas dziļumu, atbrīvojiet apakšējo uzgriezni (10B), tad noregulējiet dziļuma iestatījumu, pagriežot augšējo skrūvi (10A) vēlamajā pozīcijā.
- Tad no jauna nostipriniet apakšējo uzgriezni (10B).

### Griešanas procedūra:

Lai grieztu materiālu, vienmēr ievērojiet šādu procedūru:

- pirms instrumenta ieslēgšanas pārlicinieties, vai sagatave ir kārtīgi iespilēta un atbalstīta.
- ledarbiniet instrumentu augšējā pozīcijā un brīdi padarbiniet, līdz tas sasniedz maksimālo ātrumu.
- Pārlicinieties, vai asmens griežas brīvi un nevirbē.
- Saudzīgi nolaidiet instrumentu, līdz tas pieskaras materiālam.

- Turpiniet bīdīt rokturi, nedaudz pieliekot spēku, un raugieties, lai nesamazinātos diska ātrums.
- Pēc griešanas atļaidiet ieslēgšanas/izslēgšanas slēdži un saudzīgi paceliet instrumentu uz augšu.
- Sagatavi izņemiet tikai tad, kad griezējdiska pilnībā apstāties.



*Griešanas laikā rokturi nespiediet pārlietu stipri, citādi asmens un instruments ātrāk nolietosies, taču griešanu tas nepātrinās.*

### Oglekļa suku pārbaude un nomaiņa

Motoram ir 2 oglekļa suku, kas ekspluatācijas laikā nolietojas. Ir svarīgi pārbaudīt oglekļa suku stāvokli, jo nolietotajās oglekļa suku var pasliktināt veiktspēju un sabojāt motoru.

*Oglekļa suku noņemšana, B att.*

- Pārlicinieties, vai kontaktdakša atvienota no sienas rozetes.
- Noņemiet oglekļa suku pārsegu (8).
- Noņemiet oglekļa suku, saudzīgi pavelkot atsperi.
- Pārbaudiet nodilumu uz suku blokatora: ja atlicis mazāk par 6 mm, oglekļa suka ir nodilusi un tā nekavējoties jānomaina.
- Atkārtojiet darbības otrajā pusē.

*Oglekļa suku ievietošana atpakaļ, B att.*

- Pārlicinieties, vai kontaktdakša atvienota no sienas rozetes.
- Ievietojiet oglekļa suku un iebīdiet atsperi vietā.
- Turot atsperi nospiežot, uzlieciet oglekļa suku pārsegu (8) un pagrieziet pārsegu pulksteņrādītāja kustības virzienā.
- Kad oglekļa suku ievietotas atpakaļ, pārbaudiet, vai instruments darbojas vienmērīgi un nedzirkstelo.



*Vienmēr nomainiet abas oglekļa suku.*

## 4. APKOPE



*Pirms tīrīšanas un apkopes instruments ir jāizslēdz un kontaktdakša ir jāatvieno no barošanas avota.*

Ar mīkstu drāniņu regulāri - ieteicams, pēc katras ekspluatācijas reizes - iztīriet instrumenta korpusu. Regulāri iztīriet putekļus un netīrumus no ventilācijas atverēm. Ļoti noturīgus traipus tīriet ar ziepjūdeni samērcētu mīkstu drāniņu. Nelietojiet nekādus šķīdumus, piemēram, benzīnu, spirtu, amonjaku, u. c. Šāda veida ķīmiskās vielas sabojās sintētiskās detaļas.

## GARANTĪJA

Garantijas nosacījumi ir izklāstīti atsevišķā garantijas kartē, kas pievienota šai rokasgrāmatai.

## VIDE



*Bojāta un/vai nolietota elektriskā vai elektroniskā aparatūra jānogādā piemērotā utilizācijas centrā.*

### Tikai ES valstīm

Neizmetiet elektroinstrumentus sadzīves atkritumos. Saskaņā ar Eiropas Direktīvu 2012/19/ES par elektrisko un elektronisko iekārtu atkritumiem un, īstenojot to saskaņā ar valsts tiesību aktiem, visi elektroinstrumenti, kas vairāk nav lietojami, jāsavāc atsevišķi un jāpārstrādā videi nekaitīgā veidā.

**Izstrādājums var tikt pārveidots un lietošanas rokasgrāmata var tikt izdarīti grozījumi. Tehniskie dati var tikt mainīti bez iepriekšēja brīdinājuma.**

## Profil kesme makinesi 2300W - 355mm COM1007P

Bu Ferm ūrūnūnū satīn aldiģīnīz īģīn teģekkūr ederīz. Bu sayede artīk Avrupa'nīn ōnde gelen tedarīģīlerīnden bīrī tarafīndan sunulan, mūkemmel bīr ūrūne saģīp oldunuz. Ferm tarafīndan size sunulan būtūn ūrūnler en yūksek performans ve ğūvenlīk standartlarına ğūre ūretilmīģītir. Felsefemīzīn bīr parģası olarak ayrıka kapsamlī garantīmīz tarafīndan desteklenen mūkemmel bīr mūģterī hīzmetī saģīlıyoruz. Umarız bu ūrūnū ğeलेcek yıllar boyunca kullanmaktan zevk alırsınız.

## 1. GŪVENLĪK TALĪMATLARI



### UYARI

**Ekteki ğūvenlīk uyarılarını, ilave ğūvenlīk uyarılarını ve talimatları okuyun.** ğūvenlīk uyarılarını ve talimatları izlememek elektrik ħarpması, yangın ve/veya ciddi yaralanma ile sonuģlanabilir. **ğūvenlīk uyarılarını ve talimatları ilerde bakmak ūzere muhafaza edin.**

Aģaģıdaki semboller kullanıcı kılavuzunda veya ūrūn ūzerinde kullanılmaktadır:



*Kullanıcı kılavuzunu okuyun.*



*Bu kılavuzdaki talimatlara uymama durumunda bedensel yaralanma, can kaybı veya alette hasar riskini belirtir.*



*Elektrik ħarpması riski.*



*Őebeke kablosu temizlik ve bakım sırasında hasar ğūrūrse őebeke fiŐini hemen prizden ħıkarn.*



*Yalnızca kapalı mekan kullanımı*



*Sınıf II makine - ħift izolasyon - TopraklanmıŐ prize ihtiyaģınız yok.*



*ğūvenlīk eldivenleri giyin.*



*Duyma koruması takın.*



*Güvenlik eldivenleri giyin.*



*Uçan nesne riski. Seyircileri iş alanından uzak tutun.*



*Ürün, Avrupa yönergelerindeki geçerli güvenlik standartlarına uygundur.*

## Güvenlik talimatları Profil kesme makineleri için - Kesme talimatları

1. Kesim işleri için diskin sadece keskin kenarını (asla kenar değil) kullanın. Diske yan tarafından basınç uygulamayın ve takılma yapmasına neden olmayın.
2. Ellerinizi ve vücudunuzu diskten uzak tutun. Makine ile kesim işleri sırasında makineye takılabilecek şekilde bol kıyafetler giymeyin.
3. Profil kesme makinesini dikkatli kullanın, kesinlikle yere düşürmeyin, daima güvenli ve kuru bir yerde muhafaza edin. Aşırı sıcaklık ve nemden kaçının.
4. Tüm disk flanşları ve diğer takılan parçaların iyi durumda olduğundan ve talimatlara uygun şekilde takıldığından emin olun. Hasarlı veya eksik parçalar diskin hasar görmesine neden olabilir. Daima makineyle birlikte verilen flanşları kullanın.
5. Tehlikeli olabileceği için kesinlikle hasar görmüş disklerle çalışmayın. Diskleri değiştirirken öncesinde makineyi kapalı konuma getirin. Diski elle çevirin ve herhangi bir yamukluk, bükülme veya kesik bulunup bulunmadığını kontrol edin. Bunlardan herhangi bir varsa disk çıkarın ve yenisiyle değiştirin. Ayrıca yere düşen diskleri değiştirin. Üzerinde herhangi bir gözle görünür hasar olmasa bile ileride kırılabilir.
6. Kesmeye başlamadan önce bir çalışma testi yürütün, örn. bir adım geri atın, motoru çalıştırın ve diskin doğru şekilde işlev gösterdiğinden emin olun. Diski değiştirdikten sonra testerenin üç dakika çalışmasını sağlayın, ardından herhangi bir rutin çalışma öncesi bir dakika süreyle çalışma testi yapın.
7. Makine çalışırken kesinlikle bir iş parçasını çıkartmaya veya iş parçasını kelepçeye yerine sabitlemeye çalışmayın. Bir iş parçasını çıkartmadan veya ayarları değiştirmeden önce daima diskin tamamen dönmesini durdurmasını bekleyin.
8. Diski takmadan önce kesim için diskin üzerine uygulanan reçine ve kauçuğu daima kontrol edin.
9. Kesim diskinin maksimum çalışma hızını motor için izin verilen maksimum hız açısından daima çapraz kontrol edin. Disk üzerinde belirtilen maksimum çalışma hızını kesinlikle aşmayın.
10. Bir disk makine üzerine zorla monte etmeye veya aks büyüklüğünü değiştirmeye çalışmayın. Uygun olmayan diskleri kullanmayın. Sadece makineye uyum diskleri kullanın.
11. Bu makine ahşap kesmek için tasarlanmadığı için testere bıçaklarını kesinlikle makineye takmaya çalışmayın.
12. Motor tam hızına ulaşana kadar kesmeye başlamayın.
13. Makineyi çalıştırırken disk artık dönmüyorsa veya motorda aşırı yüklenme görüntüsü varsa makineyi derhal durdurun.
14. Kolay alev alabilir veya kırılabilir nesnelere makineden uzak tutun. Makine operatörü elleri, yüzü veya ayaklarının kesim sırasında oluşan kıvılcımlarla temas etmesinden kaçınmalıdır.
15. Makinenizi yüz ve dengeli bir zemin üzerine koyun.
16. Makineyi sadece isim plakası üzerinde belirtilen voltajda çalıştırın.
17. Kesim yapılmış bir iş parçasına hemen dokunmayın, daima önce soğumasını bekleyin.
18. İzin verilen büyüklüğü aşan iş parçalarını kesmeyi asla denemeyin.
19. Kesim sırasında duruş konumunuz kesinlikle kesim yaptığınız yönde olmasın. Daima yanlardan birinde durun.
20. Emniyet düzeneklerini daima aletin üzerinde takılı tutun.
21. Daima yavaş ve dikkatli kesim yaptığınızdan emin olun. Disk ile düzensiz hareket eden bir iş parçasına uygulama yapmaktan kaçının.
22. İş parçasını ellerinizle tutarken kesinlikle diske doğru itmeyin. İş parçasını sabitlemek için daima kelepçe kullanın.
23. Ellerinizi kesim diskinden uzak tutun. Dönen diske 15cm'den daha yakın mesafede elle destek yapılması gereken yerlerdeki iş parçalarını kesinlikle kesmeyin.

24. İş parçasının düzgün şekilde sabitlendiğinden emin olun
25. Kesme sıvılarını kesinlikle kullanmayın. Bu sıvılar alev alabilir veya elektrik şokuna neden olabilir
26. Dökme demir malzemeleri kesmeyin
27. Plastik, ahşap veya sentetik materyalleri kesmeyin
28. Magnezyumu kesmeyin

## Elektrik güvenliği

Elektrikli makineleri kullanırken yangın, elektrik çarpması ve bedensel yaralanma riskini azaltmak için ülkenizde geçerli güvenlik düzenlemelerine her zaman uyun. Aşağıdaki güvenlik talimatlarını ve ayrıca ekteki güvenlik talimatlarını okuyun. Bu talimatları güvenli bir yerde saklayın!



*Daima güç kaynağının anma değerleri plakasındaki gerilime karşılık gelip gelmediğini kontrol edin.*



*Sınıf II makine - Çift İzolasyon - Topraklanmış prize ihtiyacınız yok.*

## Kablo veya fişlerin değiştirilmesi

Elektrik kablosu hasar görürse üretici veya üreticinin müşteri hizmetleri tarafından sunulan özel elektrik kablosuyla değiştirilmelidir. Eski kablo ve fişleri yenileriyle değiştirdikten sonra derhal atın. Gevşek bir kablonun fişinin bir elektrik prize takılması tehlikelidir.

## Uzatma kablolarının kullanımı

Yalnızca makinenin güç giriş değeri için uygun, onaylanmış bir uzatma kablosu kullanın. Minimum iletken büyüklüğü 1,5 mm<sup>2</sup>'dir. Bir kablo makarası kullanırken, her zaman makaranın sargısını tamamen açın.

## 2. MAKİNE BİLGİSİ

### Kullanım amacı

Profil kesme makinesi çeşitli şekillerde çelik malzemeleri kesmek için tasarlanmıştır.

### Teknik spesifikasyonlar

Şebeke voltajı	220V-240V~
Şebeke frekansı	50/60Hz
Güç girişi	2.300 W
Nominal hız	4300/dak

Testere bıçağı boyutları*	Ø 355mm x Ø 25.4mm
Ses basıncı L <sub>PA</sub>	92 dB(A) K=3
Akustik güç L <sub>WA</sub>	105 dB(A) K=3
Vibrasyon a <sub>h,AG</sub>	2.90+1.5m/s <sup>2</sup>
Ağırlık	15.8kg

### 90°'de maksimum kesme kapasitesi

- Dikdörtgen şekilli	115mm x 125mm
- L şekil	135mm x 135mm
- Dairesel	Ø 125mm

### 45°'de maksimum kesme kapasitesi

- Dikdörtgen şekilli	110mm x 102mm
- L şekil	110mm x 110mm
- Dairesel	Ø 110mm

\* Bazı ülkelerde kesme diski dahil değildir.

## Vibrasyon seviyesi

Bu talimat kılavuzunda belirtilen vibrasyon emisyon seviyesi EN 62841 'te verilen bir standart teste uygun olarak ölçülmüştür; bir aleti diğeriyle karşılaştırmak ve aleti bahsedilen uygulamalar için kullanırken vibrasyona maruz kalmanın ön değerlendirmesi olarak kullanılabilir

- aleti farklı uygulamalar veya farklı ya da kötü bakılan aksesuarlarla kullanmak, maruz kalma seviyesini büyük ölçüde artırabilir
- aletin kapalı olduğu veya çalışıp gerçekten işi yapmadığı zamanlar maruz kalma seviyesini büyük ölçüde düşürebilir

Aletin ve aksesuarların bakımını yaparak, ellerinizi sıcak tutarak ve çalışma düzenlerinizi organize ederek vibrasyonun etkilerine karşı kendinizi koruyun.

## Açıklama

Metindeki numaralar sayfa 2-5'teki şemaları işaret etmektedir.

### Şekil A

1. Üst emniyet muhafazası
2. Hareketli emniyet muhafazası
3. Kesim diski (\*tüm modellerde dahil değildir)
4. Kıvılcım deflektörü
5. İş parçası kelepçesi

### Şekil B.

6. Tutma yeri
- 7a. Açma / Kapama anahtarı
- 7b. Kilitleme düğmesi
8. Karbon fırçası kapağı

9. Mil kilidi düğmesi
- 10A. Derinlik durdurma civatası
- 10B. Derinlik durdurma somunu
11. Taşıma kilidi pimi
12. İş parçası arka kelepçe
13. İş parçası ön kelepçe
14. Durdurma kolu
15. İş parçası mili
16. Disk değiştirme anahtarı

### Şekil C.

3. Kesim diski
17. Makine mili
18. Büyük iç rondela
19. Büyük dış rondela
20. Küçük rondela
21. Disk civatası

## 3. ÇALIŞTIRMA



*Bıçakları değiştirmeden veya makinede ayar yapmadan önce aletin fişini prizden çekin.*

### Taşıma kilidinin çıkartılması

#### Şekil B

Makinede konumunu alçaltan ve aletin taşıma ve muhafazasını kolaylaştıran bir taşıma kilidi pimi (11) bulunmaktadır. Kilitleme düğmesi testere kolunun yukarı/aşağı hareketini engeller. Ve testereyi kullanmadan önce devre dışı bırakılması gerekir.

- Makineyi biraz aşağı ittirerek taşıma kilidini çıkartın. Aşağı ittirirken taşıma kilidi pimi (11) diğer elle dışarı çekilebilir.
- Pim (11) çekilip çıkartıldıktan sonra makine yukarı ve aşağı serbestçe hareket edebiliyor olmalıdır.

### Taşıma kilidinin etkinleştirilmesi

#### Şekil B

- Makineyi mümkün olan en alçak konuma indirin.
- Ardından taşıma kilidi pimini (11) yerine yerleşene kadar ittirin.

### Bir kesim diskinin takılması/çıkartılması

#### Şekil A, B, C.



*Diskleri değiştirmeden önce daima fişini prizden çekin*



*Diskleri değiştirirken ilgili güvenlik talimatlarını mutlaka kontrol edin*

### Bir kesim diskinin çıkartılması

- Disk anahtarını (16) makine altlığından çıkartın
- Hareketli emniyet muhafazası (2) yukarı hareket ettirildiğinde diskin çıkartılması daha kolay olur.
- Makine milinin hareketini engellemek için mil kilidi düğmesine (9) basın.
- Mil kilidi düğmesine (9) basmaya devam edin. Anahtarı (16) disk civatası üzerine yerleştirin ve düğme (9) maksimum konuma itilene kadar hafifçe çevirin ve milin dönmesi engellenmiş olur.
- Civatayı (21), küçük rondelayı (20) ve büyük dış rondelayı (19) çıkartın
- Ardından kesim diskini (3) çıkartın

### Bir kesim diskinin takılması

- Bunun henüz yapılmamış olması durumunda civatayı (21) saatin aksi yönde çevirerek çıkartın, ardından küçük rondelayı (20) ve büyük dış rondelayı (19) çıkartın.
- Kesim diskini (3) makine milinin üzerine yerleştirin.
- Önce büyük dış rondelayı (19), ardından küçük rondelayı (20) ve sabitleme civatasını (21) Şekil C'de gösterildiği gibi takın ve mil dönmeye başlayana kadar civatayı sıkın.
- Makine milinin hareketini engellemek için mil kilidi düğmesine (9) basın.
- Mil kilidi düğmesine (9) basmaya devam edin. Anahtarı (16) mil civatası üzerine getirin ve saat yönünde hafifçe çevirin.
- Mil kilidi dönmeyi engellediğinde anahtarı (16) kullanarak disk civatasını sıkın.
- Mil kilidi düğmesini gevşetin ve mil kilidi düğmesinin mili artık engellemediğinden emin olun.

*Ardından diskin doğru şekilde takıldığını kontrol edin:*

- Diskin serbestçe döndüğünü ve iyi şekilde hizalandığını kontrol etmek için diski (3) elle bir kaç tur döndürün.
- Makineyi açın ve bir süre çalıştırın.

### Açma / Kapama anahtarı

#### Şekil B

Açma / Kapama anahtarı (7a) kilitleme düğmesine (7b) basılı durumdayken anahtar tetikleyici elle çekilerek etkinleştirilir. Tetik serbest bırakıldığında ise kapanır.

## İş parçası kelepçesi (5)

### Şekil A & B & D

- İş parçası materyalini ön kelepçe (13) ve arka kelepçe (12) arasına yerleştirin.
- Durdurucuyu (14) Şekil D'de gösterildiği gibi kaldırın ve ön kelepçe (13) iş parçasına dokunana kadar vida kolunu (15) ittirin.
- Ardından (mili kilitlemek için) durdurucuyu (14) aşağı hareket ettirin ve vida kolunu (15) çevirerek iş parçasını sağlam şekilde sabitleyin.

## Açılı kesim

### Şekil E

Makine arka kelepçenin (12) ayarlanmasıyla 00 ila 450 arası açılarda kesime izin verir.

- Mengene hareket edene kadar arka kelepçeyi (12) tutan 2 M10 altıköşe mercimek başlı civatayı (22 & 23) gevşetin.
- Ardından arka kelepçeyi (12) doğru açığa ayarlayın ve her iki civatayı (22 & 23) yeniden sıkın.

## Arka mengineenin taşınması (daha büyük iş parçalarını kesmek için)

### Şekil F

Mengene fabrikadan gönderildiğinde maksimum 175mm büyüklüğünde bir iş parçasına izin verir. Mengene sağdaki resimde (Şekil F) gösterildiği gibi 205 mm'lik iş parçalarına izin verecek şekilde arkada ayarlanabilir.

- Arka kelepçedeki (12) 2 M10 altıgen başlı vidayı (22 & 23) tamamen gevşetin.
- Kelepçeyi (12) geriye oynatın ve civataları (22 & 23) arka bağlantı deliklerine yeniden sabitleyin.

## Derinlik durdurucunun ayarlanması:

### Şekil B

Makinede bir derinlik durdurma civatası bulunmaktadır ve bu civata kullanılarak maksimum kesim derinliği ayarlanabilir.

- Kesim derinliğinin ayarlanması gerekiyorsa alt somunu (10B) gevşetin ardından üst civatayı (10A) istenen konumlara çevirerek derinlik ayarını yapın.
- Ardından alt somunu (10B) yeniden sabitleyin.

## Kesme prosedürü:

Malzeme kesimi yaparken daima aşağıdaki prosedürlere uyun:

- Makineyi çalıştırmadan önce iş parçasının iyi şekilde kelepçelendiğinden ve sabitlendiğinden emin olun.

- Makineyi üst konumda başlatın, maksimum hıza ulaşana kadar bir süre çalıştırın.
- Bıçağın titremeden serbestçe döndüğünden emin olun.
- Makineyi malzemeye temas edene kadar hafifçe aşağıya ittirin.
- Kolu hafif bir güçle ittirmeye devam edin, bıçak hızının düşmediğinden emin olun.
- Kesim sonrasında açma/kapatma anahtarını serbest bırakın ve makineyi hafifçe yukarı hareket ettirin.
- İş parçasını ancak kesim diski tamamen durduğunda yerinden çıkartın.



*Kesim sırasında kola aşırı güç uygulamaktan kaçının, bu durum daha hızlı kesme sağlamadığı gibi makinenin daha çabuk yıpranmasına neden olur.*

## Karbon fırçalarını kontrol etme ve değiştirme

Motorun kullanım sırasında yıpranan 2 karbon fırçası vardır. Karbon fırçalarının durumunu kontrol etmek önemlidir, yıpranmış bir karbon fırçası kötü performansa ve motor hasarına yol açabilir.

### Karbon fırçalarının çıkarılması, Şekil B.

- Ana güç kaynağının duvar prizinden ayrıldığından emin olun.
- Karbon fırçası kapağını (8) çıkartın.
- Karbon fırçalarını yayı hafifçe çekerek çıkartın.
- Fırça bloğunu kontrol edin, 6mm'den daha az kalmışsa karbon fırçası aşınmış demektir ve derhal değiştirilmesi gerekir.
- diğer tarafta da tekrarlayın.

### Karbon fırçalarını yeniden yerleştirme, Şekil B.

- Ana güç kaynağının duvar prizinden ayrıldığından emin olun.
- Karbon fırçalarını yerleştirin ve yayı hafifçe yerine geri itin.
- Yay itilmiş durumdayken karbon fırçası kapağını (8) takın ve kapağı saat yönünde çevirin.
- Her iki karbon fırçası yerine yerleştikten sonra, makinenin kıvılcım çıkarmadan ve sorunsuz olarak çalışıp çalışmadığını test edin.



Daima her iki karbon fırçasını birlikte değiştirin.



## 4. BAKIM



*Τεμizlik ve bakımdan önce her zaman makineyi kapatın ve şebeke prizini şebekeden çıkarın.*

Makine kaplamalarını yumuşak bir bezle, tercihen her kullanımdan sonra düzenli olarak temizleyin. Havalandırma deliklerinin toz ve kirden arınmış olduğundan emin olun. Çok inatçı kirleri sabun köpüğüyle ıslatılmış yumuşak bir bezle çıkarın. Benzin, alkol, amonyak vb. gibi çözücü maddeleri kullanmayın. Bunlar gibi kimyasallar sentetik bileşenlere zarar verecektir

## GARANTI

Garanti koşulları ayrı olarak eklenmiş garanti kartı üzerinde bulunabilir.

## ÇEVRE



*Anzalı ve/veya atılmış elektrikli veya elektronik ekipmanların uygun geri dönüşüm konumlarında toplanması gerekir.*

### Yalnızca AT ülkeleri için

Elektrikli aletleri evsel atık olarak atmayın. Atık Elektrikli ve Elektronik Donanım için Avrupa İlkeleri 2012/19/EU'ya ve bunun yerel hukuk çerçevesinde uygulamasına göre, artık kullanılamaz olan elektrikli aletler ayrı olarak toplanmalı ve çevre dostu bir yolla imha edilmelidir.

**Ürün ve kullanıcı kılavuzu değişikliğe tabidir. Spesifikasyonlar başka bir uyarı olmaksızın değiştirilebilir.**

## Πριόνι τεμαχισμού 2300W - 355mm COM1007P

Ευχαριστούμε που αγοράσατε αυτό το προϊόν Ferm. Έτσι αποκτήσατε ένα εξαιρετικό προϊόν, που παραδίδεται από έναν από τους κορυφαίους προμηθευτές στην Ευρώπη. Όλα τα προϊόντα που σας παραδίδονται από τη Ferm είναι κατασκευασμένα σύμφωνα με τα αυστηρότερα πρότυπα απόδοσης και ασφάλειας. Ως μέρος της φιλοσοφίας μας, παρέχουμε επίσης εξαιρετική εξυπηρέτηση πελατών, η οποία υποστηρίζεται από την εκτενή μας εγγύηση. Ελπίζουμε να απολαύσετε αυτό το προϊόν για πολλά χρόνια στο μέλλον.

## 1. ΟΔΗΓΙΕΣ ΑΣΦΑΛΕΙΑΣ



**Διαβάστε τις εσώκλειστες προειδοποιήσεις ασφαλείας, τις πρόσθετες προειδοποιήσεις ασφαλείας και τις οδηγίες.** Η μη τήρηση των προειδοποιήσεων ασφαλείας και των οδηγιών μπορεί να έχει ως αποτέλεσμα ηλεκτροπληξία, πυρκαγιά και/ή σοβαρό τραυματισμό. **Φυλάξτε τις προειδοποιήσεις ασφαλείας και τις οδηγίες για μελλοντική αναφορά.**

Τα σύμβολα που ακολουθούν χρησιμοποιούνται στο εγχειρίδιο χρήστη ή πάνω στο προϊόν:



Διαβάστε το εγχειρίδιο χρήστη.



Υποδηλώνει κίνδυνο τραυματισμού, απώλειας ζωής ή ζημιάς στο εργαλείο, σε περίπτωση μη τήρησης των οδηγιών στο παρόν εγχειρίδιο.



Κίνδυνος ηλεκτροπληξίας.



Αποσυνδέστε άμεσα το φως ρευματοληψίας από το δίκτυο ρεύματος αν το καλώδιο ρεύματος έχει υποστεί ζημιά και επίσης κατά τον καθαρισμό και τη συντήρηση.



Χρήση μόνο σε εσωτερικό χώρο.



Μηχάνημα Κλάσης II - Με διπλή μόνωση - Δεν χρειάζεται γειωμένο φως.



*Να φοράτε πάντα προστασία ματιών!*



*Φοράτε προστασία ακοής.*



*Φοράτε γάντια ασφαλείας.*



*Κίνδυνος από εκτινασσόμενα αντικείμενα.*



*Κρατάτε τους παρευρισκόμενους μακριά από την περιοχή εργασίας.*



*Το προϊόν συμμορφώνεται με τα εφαρμοσίμα πρότυπα ασφαλείας στις Ευρωπαϊκές Οδηγίες.*

## **Οδηγίες ασφαλείας για Πριόνια τεμαχισμού - Οδηγίες κοπής**

1. Χρησιμοποιείτε πάντα μόνο την αιχμή κοπής (ποτέ την πλευρά) του δίσκου για κοπή. Αποφεύγετε να εφαρμόζετε πλευρική πίεση στο δίσκο, και ειδικά μην τον κάνετε να σφηνώνει.
  2. Κρατάτε τα χέρια και το σώμα μακριά από το δίσκο. Ενώ κόβετε με το μηχάνημα, μη φοράτε φαρδιά ρούχα που θα μπορούσε να τα πιάσει το μηχάνημα.
  3. Προσέχετε το πριόνι κοπής με δίσκο, ποτέ μη σας πέσει, πάντα να το φυλάσσετε σε ασφαλές και ξηρό μέρος. Αποφεύγετε τις υπερβολικές θερμοκρασίες και την υγρασία.
  4. Να βεβαιώνετε ότι όλες οι φλάντζες δίσκου και τα άλλα εξαρτήματα σύνδεσης είναι σε καλή κατάσταση και έχουν τοποθετηθεί σύμφωνα με τις οδηγίες. Μπορεί να προκληθεί ζημιά στο δίσκο λόγω ζημιάς ή έλλειψης εξαρτημάτων. Πάντα χρησιμοποιείτε τις φλάντζες που συνόδευαν το μηχάνημα.
  5. Ποτέ μην εργαστείτε με δίσκους που έχουν υποστεί ζημιά, γιατί μπορεί να είναι επικίνδυνοι. Όταν αλλάζετε το δίσκο, πρώτα απενεργοποιείτε το μηχάνημα. Περιστρέψτε το δίσκο με το χέρι και επιθεωρήστε τον για ανομοιομορφία, συστροφή ή αποκομμένα τμήματα. Αν βρείτε οποιοδήποτε από αυτά τα προβλήματα, αφαιρέστε το δίσκο και αντικαταστήστε τον με καινούργιο. Πάντα να αντικαθιστάτε το δίσκο αν σας πέσει κάτω.
6. Πριν αρχίσετε την κοπή, υποβάλετε το μηχάνημα σε δοκιμαστική λειτουργία, δηλ. σταθείτε σε απόσταση, ενεργοποιήστε το μοτέρ και βεβαιωθείτε ότι ο δίσκος λειτουργεί κανονικά. Μετά την αλλαγή του δίσκου, αφήστε το πριόνι να λειτουργήσει για τρία λεπτά. Κατόπιν, πριν από κάθε χρήση του σε εργασία, αφήνετέ το να λειτουργήσει δοκιμαστικά για ένα λεπτό.
  7. Ενώ λειτουργεί το μηχάνημα, ποτέ μην επιχειρήσετε να αφαιρέσετε ή να συσφίξετε το τεμάχιο εργασίας. Πάντα περιμένετε να σταματήσει τελείως να κινείται ο δίσκος, πριν αφαιρέσετε οποιοδήποτε τεμάχιο εργασίας ή αλλάξετε τις ρυθμίσεις.
  8. Πριν εγκαταστήσετε το δίσκο, πάντα να επιθεωρείτε για κομμένα τμήματα το δίσκο ρητίνης και το δίσκο με επεξεργασία ελαστικού.
  9. Πάντα να ελέγχετε τη μέγιστη ταχύτητα λειτουργίας του δίσκου του πριονιού σε σχέση με τη μέγιστη επιτρεπόμενη ταχύτητα του μοτέρ. Ποτέ μην υπερβείτε τη μέγιστη επιτρεπόμενη ταχύτητα λειτουργίας που αναφέρεται πάνω στο δίσκο.
  10. Ποτέ μην επιχειρήσετε να τοποθετήσετε ένα δίσκο πάνω στο μηχάνημα χρησιμοποιώντας βία, ή να αλλάξετε το μέγεθος των αξόνων. Ποτέ μη χρησιμοποιείτε δίσκους που δεν ταιριάζουν. Χρησιμοποιείτε μόνο δίσκους που ταιριάζουν στο μηχάνημα.
  11. Μην επιχειρήσετε να συνδέσετε λεπίδες πριονιού στο μηχάνημα, επειδή δεν έχει σχεδιαστεί για κοπή ξύλου.
  12. Μην αρχίζετε την κοπή παρά μόνον αφού το μοτέρ έχει επιτύχει την πλήρη του ταχύτητα.
  13. Αν κατά τη λειτουργία του μηχανήματος ο δίσκος σταματήσει να περιστρέφεται ή το μοτέρ ακούγεται υπερφορτωμένο, απενεργοποιήστε αμέσως το μηχάνημα.
  14. Κρατάτε τα εύφλεκτα ή εύθραυστα αντικείμενα μακριά από το μηχάνημα. Ο χειριστής του μηχανήματος πρέπει να αποφεύγει την επαφή των χεριών, του προσώπου ή των ποδιών με τους σπινθηρές που προκαλούνται κατά την κοπή.
  15. Τοποθετείτε το μηχάνημα σταθερά πάνω σε οριζόντια και επίπεδη επιφάνεια.
  16. Χρησιμοποιείτε το μηχάνημα μόνο με την τάση που αναφέρεται στην πινακίδα στοιχείων.

17. Ποτέ μην αγγίζετε ένα κομμένο τεμάχιο εργασίας, αφήνετέ το πάντα να κρυώσει πρώτα.
18. Ποτέ μην επιχειρήσετε να κόψετε τεμάχια εργασίας που υπερβραίνουν το επιτρεπόμενο μέγεθος.
19. Κατά την κοπή, ποτέ μη στέκεστε στην ευθεία κοπής. Πάντα να βρίσκεστε προς τη μία πλευρά.
20. Πάντα να αφήνετε τις διατάξεις ασφαλείας εγκατεστημένες.
21. Πάντα να διασφαρίζετε ότι κόβετε αργά και προσεκτικά. Αποφεύγετε να φέρνετε το δίσκο σε επαφή με το τεμάχιο εργασίας με μη ομαλή κίνηση.
22. Ποτέ μη σπρώχνετε το τεμάχιο εργασίας προς το δίσκο ενώ το κρατάτε στα χέρια σας. Πάντα να χρησιμοποιείτε σφιγκτήρα για τη στερέωση του τεμαχίου εργασίας.
23. Κρατάτε τα χέρια σας μακριά από το δίσκο κοπής. Ποτέ μην κόβετε τεμάχια εργασίας για τα οποία απαιτείται υποστήριξη με το χέρι σε απόσταση μικρότερη από 15 cm από τον περιστρεφόμενο δίσκο.
24. Να βεβαιώνετε ότι το τεμάχιο εργασίας υποστηρίζεται σωστά
25. Ποτέ μη χρησιμοποιείτε υγρά κοπής. Αυτά τα υγρά θα μπορούσαν να αναφλεγούν ή να προκαλέσουν ηλεκτροπληξία
26. Μην κόβετε υλικά από χυτοσίδηρο
27. Μην κόβετε πλαστικά, ξύλα ή συνθετικά υλικά
28. Μην κόβετε μαγνήσιο

### Ηλεκτρική ασφάλεια

Όταν χρησιμοποιείτε ηλεκτρικά εργαλεία να τηρείτε πάντα τους κανόνες ασφαλείας που ισχύουν στη χώρα σας, για να περιορίσετε τον κίνδυνο πυρκαγιάς, ηγекτροπληξίας και τραυματισμού. Διαβάστε τις εσωκλειόμενες οδηγίες ασφαλείας. Φυλάξτε αυτές τις οδηγίες σε ασφαλές μέρος.



Να ελέγχετε πάντα αν η τροφοδοσία ηλεκτρικού ρεύματος αντιστοιχεί στην ηλεκτρική τάση που αναγράφεται στην πινακίδα τεχνικών στοιχείων του μηχανήματος.



Μηχανή Κλάσης II – διπλή μόνωση – δεν απαιτείται γειωμένος ρευματολήπτης

### Η αντικατάσταση των καλωδίων και των βυσμάτων

Εάν υποστείτε φθορές το καλώδιο κυρίως παροχής ενεργείας, πρέπει να αντικατασταθεί με ένα ειδικό καλώδιο κεντρικής παροχής το οποίο είναι διαθέσιμο από τον κατασκευαστή ή από την υπηρεσία εξυπηρέτησης πελατών του κατασκευαστή. Απορρίψτε το παλιό καλώδιο ή τα βύσματα αμέσως μετά την αντικατάστασή τους με τα καινούργια. Είναι επικίνδυνο εάν βάλετε στην πρίζα ένα βύσμα το οποίο είναι συνδεδεμένο με αδέσποτο καλώδιο.

### Χρήση μπαλαντέζας

Χρησιμοποιήστε μόνο εγκεκριμένο καλώδιο, κατάλληλο για την ισχύ εισόδου του μηχανήματος. Το ελάχιστο μέγεθος αγωγού είναι 1,5 mm<sup>2</sup>. Όταν χρησιμοποιείτε μπαλαντέζα σε καρούλα, να ξετυλίγετε τελείως την καρούλα.

## 2. ΠΛΗΡΟΦΟΡΙΕΣ ΓΙΑ ΤΟ ΜΗΧΑΝΗΜΑ

### Προβλεπόμενη χρήση

Το πριόνι τεμαχισμού έχει σχεδιαστεί για την κοπή υλικών από χάλυβα σε διάφορα σχήματα.

### Τεχνικές προδιαγραφές

Τάση ρεύματος δικτύου	220V-240V~
Συχνότητα ρεύματος δικτύου	50/60Hz
Κατανάλωση ισχύος	2.300 W
Ονομαστική ταχύτητα	4300/min
Διάμετρος δίσκου*	Ø 355mm x Ø 25.4mm
Πίεση ήχου L <sub>PA</sub>	92 dB(A) K=3
Ακουστική ισχύς L <sub>WA</sub>	105 dB(A) K=3
Κραδασμοί a <sub>h,AG</sub>	2.90+1.5 m/s <sup>2</sup>
Βάρος	15.8kg

### Μέγ. ικανότητα κοπής στις 90°

- Τετράγωνο	115mm x 125mm
- Σχήματος L	135mm x 135mm
- Κυκλικό	Ø 125mm

### Μέγ. ικανότητα κοπής στις 45°

- Τετράγωνο	110mm x 102mm
- Σχήματος L	110mm x 110mm
- Κυκλικό	Ø 110mm

\* Σε ορισμένες χώρες ο δίσκος κοπής δεν συμπεριλαμβάνεται.

### Επίπεδο κραδασμών

Το επίπεδο εκπομπής κραδασμών που αναφέρεται στο παρόν εγχειρίδιο οδηγιών έχει μετρηθεί σύμφωνα με την τυποποιημένη δοκιμή που αναφέρεται στο EN 62841. Μπορεί να χρησιμοποιηθεί για τη σύγκριση ενός εργαλείου με άλλο και ως προκαταρκτική εκτίμηση της έκθεσης σε κραδασμούς κατά τη χρήση του εργαλείου για τις αναφερόμενες εφαρμογές

- η χρήση του εργαλείου σε άλλες εφαρμογές ή με άλλα ή κακοσυντηρημένα αξεσουάρ μπορεί να επηρεάσει σημαντικά το επίπεδο έκθεσης
- οι χρόνοι που το εργαλείο είναι απενεργοποιημένο ή λειτουργεί χωρίς να εκτελεί εργασία, μπορεί να μειώσουν σημαντικά το επίπεδο έκθεσης

Προστατευτείτε έναντι των επιδράσεων των κραδασμών συντηρώντας το εργαλείο και τα αξεσουάρ του, διατηρώντας τα χέρια σας ζεστά και οργανώνοντας τα σχήματα εργασίας σας.

### Περιγραφή

Οι αριθμοί στο κείμενο αναφέρονται στα διαγράμματα στις σελίδες 2-5.

#### Εικ. Α.

1. Πάνω προφυλακτήρας ασφαλείας
2. Κινητός προφυλακτήρας ασφαλείας
3. Δίσκος κοπής  
(\*δεν περιλαμβάνεται για όλα τα μοντέλα)
4. Εκτροπέας σπινθήρων
5. Σφιγκτήρας τεμαχίου εργασίας

#### Εικ. Β.

6. Λαβή
- 7a. Διακόπτης On/Off
- 7b. Κουμπί ασφάλισης εκτός λειτουργίας
8. Κάλυμμα ψηκτρών άνθρακα
9. Κουμπί ασφάλισης άξονα
- 10Α. Κοχλίας στοπ βάθους
- 10Β. Παξιμάδι στοπ βάθους
11. Πείρος ασφάλισης μεταφοράς
12. Πίσω σφιγκτήρας τεμαχίου εργασίας
13. Μπροστινός σφιγκτήρας τεμαχίου εργασίας
14. Μοχλός στοπ
15. Άξονας τεμαχίου εργασίας
16. Κλειδί αντικατάστασης δίσκου

#### Εικ. C.

3. Δίσκος κοπής
17. Άξονας μηχανήματος
18. Μεγάλη εσωτερική ροδέλα
19. Μεγάλη εξωτερική ροδέλα
20. Μικρή ροδέλα
21. Κοχλίας του δίσκου

## 3. ΛΕΙΤΟΥΡΓΙΑ



*Πριν αλλάξετε λεπίδες ή ρυθμίσετε το μηχάνημα, αφαιρέστε πρώτα το φως ρευματοληψίας από την πρίζα.*

### Αφαίρεση της ασφάλισης μεταφοράς

#### Εικ. Β

Το μηχάνημα διαθέτει έναν πείρο ασφάλισης μεταφοράς (11) ο οποίος το διατηρεί σε χαμηλή θέση διευκολύνοντας τη μεταφορά και την αποθήκευση της συσκευής. Το κουμπί ασφάλισης εμποδίζει την κίνηση πάνω/κάτω του πριονιού. Και πρέπει να απενεργοποιείται πριν τη χρήση του πριονιού.

- Αφαιρέστε την ασφάλιση μεταφοράς πιέζοντας το μηχάνημα ελαφρά προς τα κάτω. Ενώ πιέζετε προς τα κάτω, μπορείτε να τραβήξετε έξω τον πείρο ασφάλισης μεταφοράς (11) χρησιμοποιώντας το άλλο χέρι.
- Αφού έχετε αφαιρέσει τον πείρο ασφάλισης μεταφοράς (11), το μηχάνημα μπορεί να μετακινείται ελεύθερα προς τα πάνω και κάτω.

### Ενεργοποίηση της ασφάλισης μεταφοράς

#### Εικ. Β

- Σπρώξτε το μηχάνημα κάτω ως την κατώτατη θέση του.
- Κατόπιν σπρώξτε τον πείρο ασφάλισης μεταφοράς (11) έως ότου εισέλθει στη θέση του.

### Προσθήκη / αφαίρεση ενός δίσκου κοπής

#### Εικ. Α, Β, C.



*Πάντα να αφαιρείτε το φως ρευματοληψίας πριν αλλάξετε δίσκους*



*Όταν αλλάξετε δίσκους πάντα να ελέγχετε τις σχετικές οδηγίες ασφαλείας*

### Αφαίρεση ενός δίσκου κοπής

- Πάρτε το κλειδί δίσκου (16) από τη βάση του μηχανήματος
- Η αφαίρεση του δίσκου είναι ευκολότερη όταν έχει μετακινηθεί προς τα πάνω το κινητό προστατευτικό ασφαλείας (2).
- Πιέστε το κουμπί ασφάλισης άξονα (9) για να εμποδίσετε την κίνηση του άξονα του μηχανήματος.
- Κρατήστε πατημένο το κουμπί ασφάλισης άξονα (9).  
Τοποθετήστε το κλειδί (16) πάνω στον κοχλία του δίσκου και περιστρέψτε το ελαφρά έως ότου το κουμπί (9) έχει πιεστεί στη μέγιστη διαδρομή του και εμποδίζεται η περιστροφή του άξονα.
- Αφαιρέστε τον κοχλία (21), τη μικρή ροδέλα (20) και τη μεγάλη εξωτερική ροδέλα (19)
- Κατόπιν αφαιρέστε το δίσκο κοπής (3)

### Τοποθέτηση ενός δίσκου κοπής

- Σε περίπτωση που αυτό δεν έχει γίνει ακόμα, αφαιρέστε τον κοχλία (21) περιστρέφοντας τον αριστερόστροφα και κατόπιν αφαιρέστε τη μικρή ροδέλα (20) και τη μεγάλη εξωτερική ροδέλα (19).
- Τοποθετήστε το δίσκο κοπής (3) πάνω στον άξονα του μηχανήματος.
- Πρώτα τοποθετήστε τη μεγάλη εξωτερική ροδέλα (19), κατόπιν τη μικρή ροδέλα (20) και μετά τον κοχλία στερέωσης (21) σύμφωνα με την Εικ. C, και σφίξτε τον κοχλία με το χέρι έως ότου αρχίσει να περιστρέφεται ο άξονας.
- Πιέστε το κουμπί ασφάλισης άξονα (9) για να εμποδίσετε την κίνηση του άξονα του μηχανήματος.
- Κρατήστε πατημένο το κουμπί ασφάλισης άξονα (9).  
Τοποθετήστε το κλειδί (16) πάνω στον κοχλία του δίσκου και περιστρέψτε τον ελαφρά σε δεξιόστροφη φορά.
- Όταν η ασφάλιση άξονα εμποδίζει την περιστροφή, σφίξτε τον κοχλία του δίσκου χρησιμοποιώντας το κλειδί (16).
- Ελευθερώστε το κουμπί ασφάλισης άξονα και βεβαιωθείτε ότι δεν εμποδίζει πια την κίνηση του άξονα.

### Κατόπιν ελέγξτε αν ο τροχός έχει τοποθετηθεί σωστά:

- Περιστρέψτε το δίσκο (3) λίγες στροφές με το χέρι για να ελέγξετε αν περιστρέφεται ελεύθερα και αν είναι καλά ευθυγραμμισμένος.
- Ενεργοποιήστε το μηχάνημα και αφήστε το να λειτουργήσει για τουλάχιστον 3 λεπτά.

### Ο διακόπτης On/Off

#### Εικ. B

Ο διακόπτης On/Off (7) ενεργοποιείται τραβώντας με το χέρι το διακόπτη σκανδάλης. Απενεργοποιείται όταν ελευθερώνετε πάλι το διακόπτη σκανδάλης.

### Ο σφιγκτήρας τεμαχίου εργασίας (5)

#### Εικ. A & B & D

- Τοποθετήστε το τεμάχιο εργασίας ανάμεσα στον μπροστινό σφιγκτήρα (13) και στον πίσω σφιγκτήρα (12).
- Ανυψώστε το στοπ (14) όπως δείχνει η Εικ. D και περιστρέψτε τη λαβή βίδας (15) προς τα εμπρός έως ότου ο μπροστινός σφιγκτήρας (13) έρθει σε επαφή με το τεμάχιο εργασίας.
- Κατόπιν μετακινήστε το στοπ (14) προς τα κάτω (για να ασφαλίσετε τον άξονα) και στερεώστε με ασφάλεια το τεμάχιο εργασίας περιστρέφοντας τη λαβή βίδας (15).

### Κοπή υπό γωνίες

#### Εικ. E

Το μηχάνημα επιτρέπει την κοπή υπό γωνίες 0 μοιρών έως 45 μοιρών με ρύθμιση του πίσω σφιγκτήρα (12).

- Λασκάρετε τους 2 κοχλίες Άλεν 2 M10 (22 & 23) που συγκρατούν τον πίσω σφιγκτήρα (12) έως ότου η μέγγενη μπορεί να μετακινηθεί.
- Κατόπιν ρυθμίστε τον πίσω σφιγκτήρα (12) στη σωστή γωνία και σφίξτε πάλι και τους δύο κοχλίες (22 & 23).

### Μετακίνηση της πίσω μέγγενης (για κοπή μεγαλύτερων τεμαχίων εργασίας), Εικ. F

Η μέγγενη επιτρέπει μέγιστο μέγεθος τεμαχίου εργασίας 160 mm κατά την αποστολή της από το εργοστάσιο. Η μέγγενη μπορεί να ρυθμιστεί προς τα πίσω για να επιτρέψει τη χρήση με τεμάχια εργασίας μεγέθους έως 195 mm όπως φαίνεται στη δεξιά εικόνα (Εικ. F).

- Λασκάρετε τελειώς τους 2 κοχλίες M10 εξαγωνικής κεφαλής (22 & 23) στον πίσω σφιγκτήρα (12).

- Μετακινήστε το σφικτήρα (12) προς τα πίσω και στερεώστε τους κοχλίες (22 & 23) πάλι προς τις πίσω οπές σύνδεσης.

### Ρύθμιση του στοπ βάρους:

#### Εικ. Β

Το μηχάνημα είναι εξοπλισμένο με κοχλία στοπ βάρους - με αυτόν τον κοχλία μπορεί να ρυθμιστεί το μέγιστο βάθος κοπής.

- Αν χρειάζεται να ρυθμιστεί το μέγιστο βάθος κοπής, λασκάρετε το κάτω παξιμάδι (10B) και κατόπιν προσαρμόστε τη ρύθμιση βάρους περιστρέφοντας τον πάνω κοχλία (10A) στις επιθυμητές θέσεις.
- Κατόπιν σφίξτε πάλι το κάτω παξιμάδι (10B).

### Διαδικασία κοπής:

Για να κόψετε το υλικό, πάντα τηρείτε την παρακάτω διαδικασία:

- Βεβαιωθείτε ότι το τεμάχιο εργασίας είναι συσφιγμένο και υποστηρίζεται καλά, πριν θέσετε σε λειτουργία το μηχάνημα.
- Θέστε σε λειτουργία το μηχάνημα στην πάνω θέση και αφήστε το να λειτουργήσει για λίγο έως ότου επιτύχει τη μέγ. ταχύτητά του.
- Βεβαιωθείτε ότι η λεπίδα περιστρέφεται ελεύθερα χωρίς κραδασμούς.
- Προσεκτικά μετακινήστε το μηχάνημα προς τα κάτω έως ότου έρθει σε επαφή με το υλικό.
- Συνεχίστε να ωθείτε τη λαβή με μικρή δύναμη, διασφαλίζοντας ταυτόχρονα ότι δεν μειώνεται η ταχύτητα της λεπίδας.
- Μετά την κοπή, ελευθερώστε το διακόπτη on/off και μετακινήστε το μηχάνημα προσεκτικά πάνω.
- Αφαιρέστε το τεμάχιο εργασίας μόνον όταν έχει σταματήσει τελείως να κινείται ο δίσκος κοπής.



*Μην εφαρμόζετε υπερβολική δύναμη στη λαβή κατά την κοπή, η λεπίδα και το μηχάνημα θα φθαρούν ταχύτερα ενώ δεν επιτυγχάνεται ταχύτερη κοπή.*

### Έλεγχος και αντικατάσταση των ψηκτρών άνθρακα

Το μοτέρ έχει 2 ψήκτρες άνθρακα οι οποίες φθείρονται κατά τη χρήση. Είναι σημαντικό να ελέγχετε την κατάσταση των ψηκτρών άνθρακα - μια φθαρμένη ψήκτρα άνθρακα μπορεί να προκαλέσει κακή απόδοση και ζημιά στο μοτέρ.

### Αφαίρεση των ψηκτρών άνθρακα

#### Εικ. Β.

- Βεβαιωθείτε ότι το φινι ρευματοληψίας έχει αφαιρεθεί από την πρίζα.
- Αφαιρέστε το κάλυμμα ψηκτρών άνθρακα (8).
- Αφαιρέστε τις ψήκτρες άνθρακα τραβώντας προσεκτικά το ελατήριο.
- Ελέγξτε τη φθορά στο τμήμα άνθρακα - αν έχει απομείνει μήκος μικρότερο από 6 mm στην ψήκτρα άνθρακα, η ψήκτρα είναι φθαρμένη και πρέπει να αντικατασταθεί άμεσα.
- Επαναλάβετε τη διαδικασία στην άλλη πλευρά.

### Επανατοποθέτηση των ψηκτρών άνθρακα

#### Εικ. Β.

- Βεβαιωθείτε ότι το φινι ρευματοληψίας έχει αφαιρεθεί από την πρίζα.
- Εισάγετε τις ψήκτρες άνθρακα και ωθήστε το ελατήριο πάλι στη θέση του.
- Τοποθετήστε το κάλυμμα ψηκτρών άνθρακα (8) ενώ κρατάτε το ελατήριο πιεσμένο και περιστρέψτε το κάλυμμα δεξιόστροφα.
- Αφού επανατοποθετήσετε και τις δύο ψήκτρες άνθρακα, ελέγξτε αν το μηχάνημα λειτουργεί ομαλά χωρίς να παράγει σπινθήρες.



*Πάντα να αντικαθιστάτε και τις δύο ψήκτρες άνθρακα.*

## 4. ΣΥΝΤΗΡΗΣΗ



*Πριν τον καθαρισμό και τη συντήρηση, πάντα να απενεργοποιείτε το μηχάνημα και να αφαιρείτε το φινι ρευματοληψίας από την πρίζα.*

Καθαρίζετε τα περιβλήματα του μηχανήματος τακτικά με ένα μαλακό πανί, κατά προτίμηση μετά από κάθε χρήση. Να βεβαιώνετε ότι τα ανοίγματα αερισμού είναι ελεύθερα από σκόνη και ακαθαρσίες. Αφαιρείτε κάθε επίμονη ακαθαρσία με τη χρήση ενός μαλακού πανιού που το έχετε υγράνει με σαπωνοδιάλυμα. Μη χρησιμοποιείτε οποιονδήποτε διαλύτη όπως βενζίνη, οινόπνευμα, αμμωνία κλπ. Τα χημικά αυτού του είδους θα προξενήσουν ζημιά στα συνθετικά εξαρτήματα.

## ΕΓΓΥΗΣΗ

Μπορείτε να βρείτε τις προϋποθέσεις της εγγύησης στη χωριστή εσώκλειστη κάρτα εγγύησης.

## ΠΕΡΙΒΑΛΛΟΝ



Ο ηλεκτρικός ή ηλεκτρονικός εξοπλισμός που παρουσιάζει βλάβη ή έχει φθάσει στο τέλος της ωφέλιμης ζωής του πρέπει να παραδίδεται στις κατάλληλες τοποθεσίες ανακύκλωσης.

### Μόνο για χώρες ΕΚ

Μην απορρίπτετε τα ηλεκτρικά εργαλεία στα οικιακά απορρίμματα. Σύμφωνα με την Ευρωπαϊκή οδηγία 2012/19/EU περί αποβλήτων ηλεκτρικού και ηλεκτρονικού εξοπλισμού και την εφαρμογή του στο εθνικό δίκαιο, τα ηλεκτρικά εργαλεία που δεν μπορούν να χρησιμοποιηθούν πλέον πρέπει να συλλέγονται ξεχωριστά και να απορρίπτονται με τρόπο φιλικό προς το περιβάλλον.

**Το προϊόν και το εγχειρίδιο χρήστη υπόκεινται σε αλλαγή. Οι προδιαγραφές μπορεί να αλλάξουν χωρίς άλλη ειδοποίηση.**

## Μنشار القطع 2400 وات - 355 مم

CO01M07P

شكرًا لك على شراء منتج mref هذا. ويقامك بعملية الشراء هذه، تمتلك الآن منتجًا ممتازًا مقدمًا من إحدى شركات التوريد الرائدة في أوروبا.

فقد تم تصنيع جميع المنتجات التي تقدمها إليك شركة Ferm، وفقًا لأعلى معايير الأداء والسلامة. وكجزء من فلسفتنا، نقدم أيضًا خدمة عملاء ممتازة مدعومة بضمان شامل. نأمل أن تستمتع باستخدام هذا المنتج لسنوات عديدة قادمة.

## ١. تعليمات السلامة

اقرأ تحذيرات السلامة المرفقة، وتحذيرات السلامة الإضافية، والتعليمات. فإن التقصير في اتباع تحذيرات السلامة والتعليمات قد يؤدي إلى حدوث صدمة كهربائية و/أو نشوب حريق و/أو وقوع إصابة خطيرة. احتفظ بتحذيرات السلامة والتعليمات من أجل الرجوع إليها في المستقبل.



يتم استخدام الرموز التالية في دليل المستخدم أو على المنتج:



اقرأ دليل المستخدم.

يشير إلى خطر الإصابة الشخصية أو فقدان الحياة أو تلف الأداة، في حالة عدم مراعاة التعليمات الواردة في هذا الدليل.



خطر الصدمة الكهربائية



قم على الفور بإزالة قابس مأخذ الطاقة الرئيسي من مأخذ الطاقة الرئيسي، في حالة تلف كابل مأخذ الطاقة الرئيسي وأثناء التنظيف والصيانة.



للاستخدام الداخلي فقط



ماكينة من الفئة الثانية - العزل المزدوج - لذا، فإنك لن تحتاج إلى أي قابس مؤرض.



ارتد واقي العينين دائمًا!



ارتد واقي السمع.



ارتد قفازات السلامة.





خطر الأشياء المتطايرة. أبعاد الواقفين بجوارك بعيداً عن منطقة العمل.

يتوافق المنتج مع معايير السلامة المعمول بها الواردة في التوجيهات الأوروبية.



## تعليمات السلامة لمناشير القطع - تعليمات القطع

١. لا تستخدم إلا حافة القطع (وليس الجانب). في القرص للقطع. تجنب الضغط بشكل جانبي على القرص، وعلى وجه الخصوص، التسبب في حدوث الانحشار.
٢. ابعاد اليدين والجسم عن القرص. أثناء القطع بالماكينة، لا ترتد ملابس فضفاضة يمكن أن تعلق بها.
٣. تعامل مع منشار القطع بالقرص بعناية، ولا تسقطه على الإطلاق، وقم دائماً بتخزينه في مكان آمن وجاف. تجنب درجات الحرارة والرطوبة المفرطة.
٤. تحقق من كون كل شغاف الأقرص وغير ذلك من الأجزاء المركبة في حالة جيدة ومن تجميعها وفقاً للتعليمات. يمكن أن يؤدي فقد الأجزاء أو تلفها إلى تلف القرص. دائماً استخدم الشغاف التي يتم تسليمها مع الماكينة.
٥. لا تقم بالعمل باستخدام أقرص تالفة على الإطلاق، حيث إنها يمكن أن تكون خطيرة. عند تغيير القرص، قم أولاً بإيقاف تشغيل الماكينة. أدر القرص باليد وافحصه بحثاً عن عدم الاستواء أو الانثناء أو التمزق. إذا وجدت أيًا من هذه الأشياء، فقم بإزالة القرص واستبداله مستخدماً قرصاً جديداً. قم كذلك باستبدال القرص إذا سقط على الأرض. ربما يصبح هشاً حتى إذا لم يكن بإمكانك رؤية أي أضرار ظاهرية.
٦. قبل بدء القطع، قم باختبار التشغيل، أي خذ خطوة للخلف، وقم بتشغيل الموتور وتحقق من أن القرص يعمل بشكل صحيح. بعد تغيير القرص، اترك المنشار يعمل لمدة ثلاث دقائق؛ وبعد ذلك، قبل إجراء أي أعمال روتينية، اتركه يعمل لمدة دقيقة لاختباره.
٧. أثناء تشغيل الماكينة، لا تحاول إزالة أي قطعة عمل أو شبك قطعة عمل بالماكينة على الإطلاق. دائماً انتظر إلى أن يتوقف القرص عن الدوران بشكل كامل قبل إزالة أي قطع عمل أو تغيير الإعدادات.
٨. قبل تركيب القرص، دائماً افحص القرص المعالج بالراتنجيات والمطاط بحثاً عن التمزق.
٩. دائماً افحص الحد الأقصى لسرعة التشغيل لقرص منشار القطع مستخدماً الحد الأقصى المسموح به لسرعة الموتور. لا تتجاوز الحد الأقصى المسموح به لسرعة التشغيل المحدد على القرص.
١٠. لا تحاول تركيب قرص على الماكينة بالقوة، ولا تحاول تغيير حجم المحاور. لا تستخدم أبداً الأقرص غير الملائمة. لا تستخدم إلا الأقرص التي تتناسب مع الماكينة.
١١. لا تحاول تركيب شفرات المنشار بالماكينة، حيث إنها غير مخصصة لقطع الخشب.
١٢. لا تبدأ القطع حتى يبلغ الموتور سرعته القصوى.
١٣. إذا توقف القرص عن الدوران أو ظهر أن صوت الموتور يعرض لأحمال شديدة أثناء تشغيل الماكينة، فأوقف تشغيل الماكينة على الفور.

٤١. ابعاد الأشياء القابلة للاشتعال بسهولة أو الأشياء الهشة عن الماكينة. يجب أن يتجنب مشغل الماكينة ملامسة يديه أو وجهه أو قدمه للشرر الناجم عند القطع.

٥١. ضع الماكينة بإحكام على سطح مسطح ومستوي.

٦١. قم بتشغيل الماكينة باستخدام الجهد المحدد على لوحة المعلومات.

٧١. لا تلمس أي قطعة عمل تم نشرها، دائماً اتركها تبرد أولاً.

٨١. لا تحاول على الإطلاق قطع قطعة عمل يتجاوز حجمها الحجم المسموح به.

٩١. أثناء القطع، لا تضع نفسك أبداً في اتجاه القطع. دائماً ابق على جانب واحد.

١٠٢. دائماً اترك الجهاز السلامة مركبة.

١٢. تحقق دائماً من القطع ببطء وبعدية. تجنب استخدام القرص مع قطعة عمل تتحرك بشكل غير منتظم.

٢٢. لا تدفع قطعة العمل نحو القرص على الإطلاق أثناء الإمساك بها بين يديك. دائماً استخدم المشبك لتثبيت قطعة العمل.

٣٢. ابعاد يديك عن قرص القطع. لا تقم على الإطلاق بقطع قطع العمل عندما يلزم توفير دعم يدوي لمسافة أقرب من ٥١ سم من القرص الدوار.

٤٢. تحقق من دعم قطعة العمل بالشكل الصحيح.

٥٢. لا تستخدم أبداً سائل القطع. يمكن أن تشتعل هذه السوائل أو يمكن أن تتسبب في حدوث صدمات كهربائية.

٦٢. لا تقم بقطع المواد المصنوعة من الحديد الزهر.

٧٢. لا تقم بقطع المواد المصنوعة من البلاستيك أو الخشب أو المواد الصناعية.

٨٢. لا تقم بقطع المواد المصنوعة من الماغنيسيوم.

## السلامة الكهربائية

عند استخدام الآلات الكهربائية، راع دائماً لوائح السلامة المعمول بها في بلدك للحد من خطر نشوب حريق، وحوادث صدمة كهربائية، وإصابة شخصية. اقرأ تعليمات السلامة التالية وتعليمات السلامة المرفقة كذلك. احتفظ بهذه التعليمات في مكان آمن!

تحقق دائماً من توافق جهد مصدر الطاقة مع الجهد المسجل على لوحة البيانات الفنية.



الألة من الفئة الثانية - العزل المزدوج - لذا، فإنك لن تحتاج إلى أي قابس مؤرض.



## استبدال الكابلات أو القوابس

إذا تعرض كابل مصدر الكهرباء الرئيسي للتلف، يجب أن يتم استبداله واستخدام كابل مصدر كهرباء رئيسي خاص من إنتاج الشركة المصنعة أو من خدمة عملاء الشركة المصنعة. تخلص من الكابلات أو القوابس القديمة على الفور بعد استبدالها واستخدام غيرها جديدة. من الخطير توصيل قابس كابل غير موصل بإحكام بالمنفذ.

## استخدام كابلات تمديد

لا تستخدم سوى كابلات الإطالة المعتمدة والمناسبة لإدخال الطاقة للألة. الحد الأدنى لمقاس الموصل ٥،١ مم مربع. عند استخدام بكرة كابل، دائماً قم بفك البكرة بشكل كامل.



## ٢. معلومات الآلة

### الاستخدام المقصود

لقد تم تصميم منشار القطع لقطع المواد المصنوعة من الصلب بأشكال متنوعة.

### المواصفات الفنية

يس يئرلا قاطلا رصم دهج	220	تلفوف	240
يس يئرلا راييتلا ددرت	50/60	زتره	50/60
قاطلا تالخدم	2.300	تاو	2.300
تردقلا ةعرسلا	4300/	تقي قلا	4300/
*راش نمل ا عرفش دا عبا	355	رطق	25.4 x مم
LPA توصلا طرغض يوتسم	92	K=3	(أ) لبي سي يد
LWA توصلا ةعس	105	K=3	(أ) لبي سي يد
ah AG زازتهال	2.90+1.5	م/ث	2
نزولا	15.8	م جك	
<b>ةجرد 90 ةيواز دن ع عطقلا ةعسل ا صقلا ا دحلا</b>			
لي طتسم -	115	م	125 x مم
L فرح -	135	م	135 x مم
يئر ا د -		رطق	125 مم
<b>ةجرد 45 ةيواز دن ع عطقلا ةعسل ا صقلا ا دحلا</b>			
لي طتسم -	110	م	102 x مم
L فرح -	110	م	110 x مم
يئر ا د -		رطق	110 مم

\* بالنسبة لبعض الدول، لا يكون قرص القطع مرفقاً.

### مستوى الاهتزاز

لقد تم قياس مستوى انبعاث الاهتزاز المذكور في دليل التعليمات هذا وفقاً لاختبار موحد وارد في EN 62841 ، ويمكن استخدامه لمقارنة آلة واحدة مع أخرى وكنتيجة لتقييم أولي للتعرض للاهتزاز عند استخدام الآلة في التطبيقات المذكورة

- إن استخدام الآلة في تطبيقات مختلفة، أو مع ملحقات مختلفة أو صيانتها بشكل ضعيف، قد يزيد بشكل كبير من مستوى التعرض في الأوقات التي يتم فيها إيقاف تشغيل الآلة أو عندما تكون قيد التشغيل لكن لا تقوم بالمهام بشكل فعلي، قد يقل فيها مستوى التعرض بشكل ملحوظ، فاحم نفسك من تأثير الاهتزاز من خلال صيانة الآلة وملحقاتها، والحفاظ على يدك دافنتين، وتنظيم نماذج العمل.

### الوصف

تشير الأرقام الواردة في النص إلى الأشكال الموجودة في الصفحات ٢-٥.

### الشكل أ

١. وافي السلامة العلوي
٢. وافي السلامة المتحرك
٣. قرص القطع (\*غير مضمن مع كل الطرازات)
٤. عاكس الشرر
٥. مشبك قطعة العمل

### الشكل ب

٦. المقيض اليدوي
١٧. مفتاح التشغيل/إيقاف التشغيل
٧. زر إيقاف القفل
٨. غطاء فرشاة الكربون
٩. زر قفل عمود الدوران
١٠. مسمار إيقاف العمق
١. ب. صامولة إيقاف العمق
١١. مسمار قفل النقل
٢١. مشبك قطعة العمل الخلفي
٣١. مشبك قطعة العمل الأمامي
٤١. ذراع الإيقاف
٥١. عمود دوران قطعة العمل
٦١. مفتاح ربط تغيير القرص

### الشكل ج

٣. قرص القطع
٧١. عمود دوران الماكينة
٨١. الحلبة الداخلية الكبيرة
٩١. الحلبة الخارجية الكبيرة
٢. الحلبة الصغيرة
١٢. مسمار القرص

## ٣. التشغيل

قبل تغيير الشفرات أو ضبط الماكينة، قم أولاً بإزالة قابس الطاقة من المقيس الجداري.



### إزالة قفل النقل الشكل ب

- الماكينة مزودة بمسار قفل النقل (١١) والذي يحافظ عليها بحيث تكون منخفضة ويسهل نقل الجهاز وتخزينه. ويمنع زر القفل حركة المنشار لأعلى ولأسفل. ويجب أن يتم تنشيطه قبل استخدام المنشار.
- قم بإزالة قفل النقل من خلال الضغط على الماكينة لأسفل قليلاً. أثناء الضغط على الماكينة، يمكن أن يتم سحب مسمار قفل النقل (١١) للخارج باليد الأخرى.
- بعد أن يتم سحب المسمار (١١) للخارج، يمكن تحريك الماكينة لأعلى ولأسفل بكل حرية.

### تنشيط قفل النقل الشكل ب

- ادفع الماكينة لأسفل إلى أقل مستوى لها.
- ثم ادفع مسمار قفل النقل (١١) إلى أن ينزلق في مكانه.

### تركيب / إزالة قرص القطع الأشكال أ وب وج.

قم دائماً بإزالة قابس الطاقة الرئيسية قبل تغيير الأقراص



عند تغيير الأقراص، دائماً تحقق من تعليمات السلامة ذات الصلة



## القطع بزوايا الشكل هـ

- يمكن استخدام الماكينة للقطع بزوايا من ٠.٠ إلى ٥٤ درجة من خلال تعديل المشبك الخلفي (٢١).
- قم بفك المسمارين سداسي الرأس مقاس M10 (٢٢ و ٣٢) الذين يثبتان المشبك الخلفي (٢١) إلى أن يتسنى تحريك الملزمة.
- بعد ذلك، اضبط المشبك الخلفي (٢١) على الزاوية الصحيحة واربط المسمارين (٢٢ و ٣٢) مرة أخرى.
- تحريك الملزمة الخلفية (قطع قطع العمل الأكبر حجماً) الشكل و**
- تسمح الملزمة بمقاس أقصى لقطعة العمل مقداره ٠.٦١ مم عندما يتم شحنها من المصنع. ويمكن ضبط الملزمة في الخلف للسماح بمقاسات تصل إلى ٥٩١ لقطع العمل، كما هو موضح في الصورة الموجودة على اليسار (الشكل و).
- قم بفك المسمارين سداسي الرأس مقاس M10 (22 و ٣٢) في المشبك الخلفي (٢١) بشكل كامل.
- حرك المشبك (٢١) للخلف وقم بتهيئة المسمارين (٢٢ و ٣٢) في فتحات التوصيل الخلفية مرة أخرى.

## ضبط مسمار إيقاف العمق:

- الشكل ب**
- الماكينة مزودة بمسمار لإيقاف العمق، وباستخدام هذا المسمار، يمكن ضبط الحد الأقصى للعمق للقطع.
- إذا لزم ضبط مسمار ضبط العمق، قم بفك الصامولة السفلية (١٠١)، ثم اضبط إعداد العمق من خلال إدارة المسمار العلوي (١٠١) إلى المواضع المرغوب فيها.
- ثم قم بتهيئة الصامولة السفلية (١٠١) مرة أخرى.

## إجراء القطع:

- لقطع المواد، اتبع دائماً إجراء القطع التالي:
- تحقق من شبك قطعة العمل ودعها بشكل جيد قبل تشغيل الماكينة.
- قم بتشغيل الماكينة في الوضع العلوي واركبها تعمل لفترة إلى أن تصل إلى أقصى سرعة لها.
- تحقق من دوران الشفرة بحرية بدون اهتزاز.
- قم بتحريك الماكينة لأسفل برفق إلى أن تلمس المادة.
- استمر في الضغط على المقبض مستخدماً قوة خفيفة، مع التحقق من أن سرعة الشفرة لا تنخفض.
- حرر مفتاح التشغيل/إيقاف التشغيل بعد القطع، وارفع الماكينة لأعلى برفق.
- لا تقم بإزالة قطعة العمل إلا بعد أن يتوقف قرص القطع عند الدوران بشكل كامل.



لا تستخدم قوة مفرطة على المقبض عند القطع، حيث تتعرض الشفرة والماكينة للتلف بشكل أسرع كما أن ذلك لن يؤدي إلى القطع بشكل أسرع.

## فحص فرش الكربون واستبدالها

الموتور مزود بفرشتي كربون تتعرضان للتلوث مع الاستخدام. من الضروري أن يتم فحص حالة فرش الكربون، قبلي فرش الكربون يمكن أن يؤدي إلى سوء الأداء وتلف الموتور.

## إزالة قرص القطع

- أخرج مفتاح ربط القرص (٦١) من قاعدة الماكينة
- تكون إزالة القرص أكثر سهولة عندما يتم تحريك واقي السلامة المتحرك (٢) لأعلى.
- اضغط على مفتاح قفل عمود الدوران (٩) لقفل حركة عمود دوران الماكينة.
- استمر في الضغط على زر قفل عمود الدوران (٩). ضع مفتاح الربط (٦١) على مسمار القرص وأدره قليلاً إلى أن يتم دفع الزر (٩) إلى الحد الأقصى له وحتى يتوقف دوران عمود الدوران.
- قم بإزالة المسمار (١٢) والجلبة الصغيرة (٠٢) والجلبة الخارجية الكبيرة (٩١)
- ثم قم بإزالة قرص القطع (٣)

## تركيب قرص القطع

- في حالة عدم فعل ذلك بعد، قم بإزالة المسمار (١٢) من خلال إدارته عكس اتجاه حركة عقارب الساعة، ثم قم بإزالة الجلبة الصغيرة (٠٢) والجلبة الخارجية الكبيرة (٩١).
- ضع قرص القطع (٣) على عمود دوران الماكينة.
- في البداية، قم بإضافة الجلبة الخارجية الكبيرة (٩١)، ثم الجلبة الصغيرة (٠٢) ثم مسمار التثبيت (١٢) وفقاً للشكل ج واربطها باليد إلى أن يبدأ عمود الدوران في الدوران.
- اضغط على مفتاح قفل عمود الدوران (٩) لقفل حركة عمود دوران الماكينة.
- استمر في الضغط على زر قفل عمود الدوران (٩). ضع مفتاح الربط (٦١) على مسمار القرص وأدره قليلاً في نفس اتجاه حركة عقارب الساعة.
- عندما يعيق قفل عمود الدوران حركة الدوران، اربط مسمار القرص باستخدام مفتاح الربط (٦١).
- قم بإرخاء زر قفل عمود الدوران وتحقق من عدم إعاقة زر قفل عمود الدوران لعمود الدوران.

ثم تحقق من تجميع العجلة بالشكل الصحيح:

- أدر القرص (٣) باليد عدة دورات للتحقق من أنه يتحرك بحرية ومن محاذاته بشكل صحيح.
- قم بتشغيل الماكينة واركبها تعمل مدة ٣ دقائق على الأقل.

## مفتاح التشغيل/إيقاف التشغيل الشكل ب

يتم تشغيل مفتاح التشغيل/إيقاف التشغيل (٧) من خلال سحب زناد المفتاح. ويتم إيقاف تشغيله من خلال تحرير الزناد مرة أخرى.

## مشبك قطعة العمل (٥)

### الشكل أ وب ود

- ضع قطعة العمل بين المشبك الأمامي (٣١) والمشبك الخلفي (٢١).
- ارفع أداة الإيقاف (٤١) كما هو موضح في الشكل د، وأدر مقبض البراغي (٥١) للامام إلى أن يلمس المشبك الأمامي (٣١) قطعة العمل.
- ثم قم بتحريك أداة الإيقاف (٤١) لأسفل (لقفل عمود الدوران) وقم بتهيئة قطعة العمل بإحكام من خلال إدارة مقبض البراغي (٥١).

### لبلدان الاتحاد الأوروبي فقط

لا تتخلص من الأدوات الكهربائية في النفايات المنزلية. ووفقاً للتوجيه الأوروبي 2012/19/EC بخصوص نفايات المعدات الكهربائية والإلكترونية وتنفيذها في حق وطني، يجب جمع الأدوات الكهربائية التي لم تعد صالحة للاستعمال بشكل منفصل والتخلص منها بطريقة صديقة للبيئة.

المنتج ودليل المستخدم عرضة للتغيير. ويمكن تغيير المواصفات دون إشعار آخر.

### إزالة فرش الكربون الشكل ب

- تحقق من إزالة قابس الطاقة من المقيس الجداري.
- قم بإزالة غطاء فرشاة الكربون (٨).
- قم بإزالة فرش الكربون من خلال سحب الزنبرك برفق.
- افحص كتلة الفرشاة بحثاً عن البلى، عندما يتبقى أقل من ٦ مم من فرشاة الكربون، تكون فرشاة الكربون قد تعرضت للبلى ويجب أن يتم استبدالها بشكل فوري.
- كرر نفس الأمر على الجانب الآخر.

### إعادة تركيب فرش الكربون الشكل ب

- تحقق من إزالة قابس الطاقة من المقيس الجداري.
- قم بتركيب فرش الكربون و قم بوضع الزنبرك مرة أخرى في مكانه.
- قم بإضافة غطاء فرش الكربون (٨) مع الاستمرار في الضغط على الزنبرك، وأدر الغطاء في نفس اتجاه حركة عقارب الساعة.
- بعد إعادة تركيب كلا فرشتي الكربون، تحقق من دوران الماكينة بشكل سلس بدون شرر.

دائماً استبدل فرشتي الكربون معاً.



## ٤. الصيانة

قبل التنظيف والصيانة، قم دائماً بإيقاف تشغيل الماكينة، و قم بإزالة قابس مأخذ الطاقة الرئيسي من مأخذ الطاقة الرئيسي.



قم بتنظيف أغطية الآلة باستخدام قطعة قماش ناعمة بصفة منتظمة، ويُفضل أن يتم ذلك بعد كل استخدام. وتأكد من خلو فتحات التهوية من الأتربة والأوساخ. و قم بإزالة الأوساخ العنيدة جداً باستخدام قطعة قماش ناعمة مغموسة في رغوة الصابون. لا تستخدم أي مزيلات، مثل البنزين والكحول والأمونيا وغيرها. فإن مثل هذه المواد الكيميائية ستؤدي إلى تلف المكونات الاصطناعية.

## الضمان

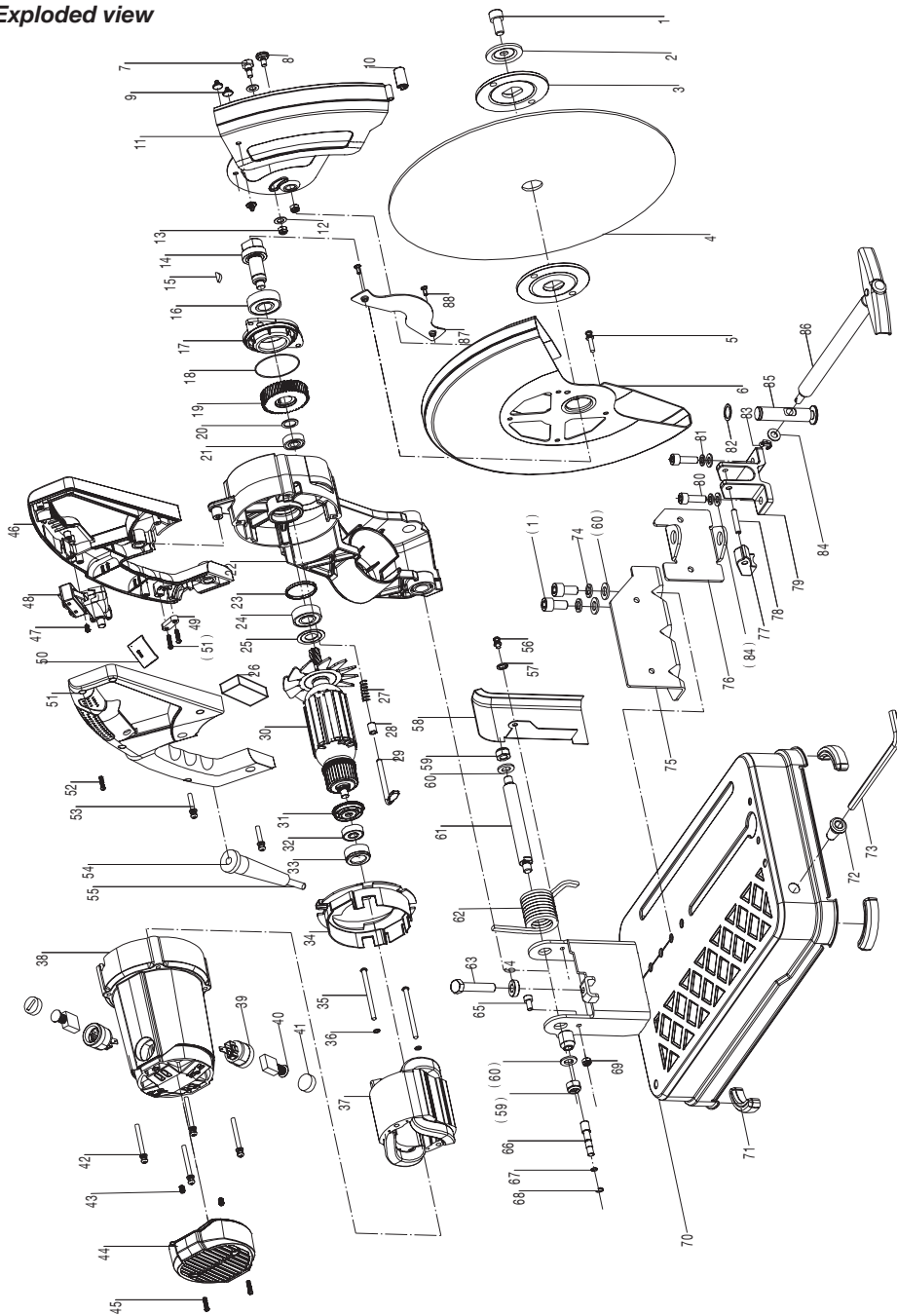
يمكن العثور على شروط الضمان في بطاقة الضمان المرفقة بشكل منفصل.

## البيئة

يجب تجميع الأجهزة الكهربائية أو الإلكترونية المعيبة و/أو المهملة في مواقع إعادة التدوير المناسبة.



# Exploded view



---

**Spare parts list**

<b>No.</b>	<b>Description</b>	<b>Position</b>
480187	Flange screw	1
480188	Small flange	2
480189	press plate (1pc)	3
480192	Spindle complete	14..21
480195	Soft start	26
480196	Spindle lock complete	27..29
480197	Rotor complete	30..33 24 25
480198	Rear rotor bearing + Sleeve	32,33
480199	Stator + Screws	35..37
480200	Carbon brush holder set (2pcs)	39
480201	Carbon brush cover set (2pcs)	41
480202	Carbon brush set (2pcs)	40
480402	Switch	48
480204	Spring + axle + nuts	59..62
480206	Rubber feet (3pcs)	71
480207	Back fence + screws (2pcs)	1,60,74,75





## DECLARATION OF CONFORMITY COM1007P - CHOP SAW

- (EN) We declare under our sole responsibility that this product is in conformity with directive 2011/65/EU of the European parliament and of the council of 8 June on the restriction of the use of certain hazardous substances in electrical and electronic equipment is in conformity and accordance with the following standards and regulations:
- (DE) Der Hersteller erklärt eigenverantwortlich, dass dieses Produkt der Direktive 2011/65/EU des Europäischen Parlaments und des Rats vom 8. Juni 2011 über die Einschränkung der Anwendung von bestimmten gefährlichen Stoffen in elektrischen und elektronischen Geräten entspricht. den folgenden Standards und Vorschriften entspricht:
- (NL) Wij verklaren onder onze volledige verantwoordelijkheid dat dit product voldoet aan de conform Richtlijn 2011/65/EU van het Europees Parlement en de Raad van 8 juni 2011 betreffende beperking van het gebruik van bepaalde gevaarlijke stoffen in elektrische en elektronische apparatuur en in overeenstemming is met de volgende standaarden en reguleringen:
- (FR) Nous déclarons sous notre seule responsabilité que ce produit est conforme aux standards et directives suivants: est conforme à la Directive 2011/65/EU du Parlement Européen et du Conseil du 8 juin 2011 concernant la limitation d'usage de certaines substances dangereuses dans l'équipement électrique et électronique.
- (ES) Declaramos bajo nuestra exclusiva responsabilidad que este producto cumple con las siguientes normas y estándares de funcionamiento: se encuentra conforme con la Directiva 2011/65/UE del Parlamento Europeo y del Consejo de 8 de junio de 2011 sobre la restricción del uso de determinadas sustancias peligrosas en los equipos eléctricos y electrónicos.
- (PT) Declaramos por nossa total responsabilidade-de que este produto está em conformidade e cumpre as normas e regulamentações que se seguem: está em conformidade com a Directiva 2011/65/UE do Parlamento Europeu e com o Conselho de 8 de Junho de 2011 no que respeita à restrição de utilização de determinadas substâncias perigosas existentes em equipamento eléctrico e electrónico.
- (IT) Dichiariamo, sotto la nostra responsabilità, che questo prodotto è conforme alle normative e ai regolamenti seguenti: è conforme alla Direttiva 2011/65/UE del Parlamento Europeo e del Consiglio dell'8 giugno 2011 sulla limitazione dell'uso di determinate sostanze pericolose nelle apparecchiature elettriche ed elettroniche.
- (SV) Vi garanterar på eget ansvar att denna produkt uppfyller och följer följande standarder och bestämmelser: uppfyller direktiv 2011/65/UE från Europeiska parlamentet och EG-rådet från den 8 juni 2011 om begränsningen av användning av farliga substanser i elektrisk och elektronisk utrustning.
- (FI) Vakuutamme yksinomaan omalla vastuullamme, että tämä tuote täyttää seuraavat standardit ja säädokset: täyttää Euroopan parlamentin ja neuvoston 8. kesäkuuta 2011 päivätyn direktiivin 2011/65/EU vaatimuksset koskien vaarallisten aineiden käytön rajoitusta sähkö- ja elektroniikassa laitteissa.
- (NO) Vi erklærer under vårt eget ansvar at dette produktet er i samsvar med følgende standarder og regler: er i samsvar med EU-direktivet 2011/65/UE fra Europa-parlamentet og Europa-rådet, pr. 8 juni 2011, om begrensning i bruken av visse farlige stoffer i elektrisk og elektronisk utstyr.
- (DA) Vi erklærer under eget ansvar, at dette produkt er i overensstemmelse med følgende standarder og bestemmelser: er i overensstemmelse med direktiv 2011/65/UE fra Europa-Parlamentet og Rådet af 8. juni 2011 om begrænsning af anvendelsen af visse farlige stoffer i elektrisk og elektronisk udstyr.
- (HU) Felelősségünk teljes tudatában kijelentjük, hogy ez a termék teljes mértékben megfelel az alábbi szabványoknak és előírásoknak: je v soulada se smérnici 2011/65/EU Evropského parlamentu a Rady EU ze dne 8. června 2011, která se týká omezení použití určitých nebezpečných látek v elektrických a elektronických zařízeních.
- (CS) Na naši vlastní zodpovědnost prohlašujeme, že je tento výrobek v souladu s následujícími standardy a normami: Je v súlade s normou 2011/65/UE Európskeho parlamentu a Rady z 8. júna 2011 týkajúcej sa obmedzenia používania určitých nebezpečných látok v elektrickom a elektronickom vybavení.
- (SK) Vyhlasujeme na našu výhradnú zodpovednosť, že tento výrobok je v zhode a súlade s nasledujúcimi normami a predpismi: Je v súlade s normou 2011/65/UE Európskeho parlamentu a Rady z 8. júna 2011 týkajúcej sa obmedzenia používania určitých nebezpečných látok v elektrickom a elektronickom vybavení.
- (SL) S polno odgovornostjo izjavljamo, da je ta izdelek v skladu in da odgovarja naslednjim standardom predpisom: je v skladu z direktivo 2011/65/UE Evropskega parlamenta in Sveta z dne 8. junij 2011 o omejevanju uporabe določenih nevarnih snovi v električni in elektronski opremi.
- (PL) Deklarujemy na własną odpowiedzialność, że ten produkt spełnia wymogi zawarte w następujących normach i przepisach: jest zgodny z Dyrektywą 2011/65/UE Parlamentu Europejskiego i Rady z dnia 8 czerwca 2011 r. w sprawie ograniczenia stosowania niektórych niebezpiecznych substancji w sprzęcie elektrycznym i elektronicznym.
- (LT) Prisiimdami visą atsakomybę deklaruojame, kad šis gaminytis atitinka žemiau paminėtų standartus arba nuostatus: atitinka 2011 m. birželio 8 d. Europos Parlamento ir Tarybos direktyvą 2011/65/EB dėl tam tikrų pavojingų medžiagų naudojimo elektros ir elektroninėje įrangoje apribojimo.
- (LV) Ir atbilstoša Eiropas Parlamenta un Padomes 2011. gada 8. jūnija Direktīvai 2011/65/ES par dažu bīstamu vielu izmantošanu ierobežošanu elektriskās iekārtās.
- (ET) Argalvojam ar visutalbiltsu, ka šis produkts ir saskaņā un atbilst sekojošiem standartiem un nolikumiem: ir atbilstoša Eiropas Parlamenta un Padomes 2011. gada 8. jūnija Direktīvai 2011/65/ES par dažu bīstamu vielu izmantošanas ierobežošanu elektriskās un elektroniskās iekārtās.
- (RO) Declaram prin aceasta cu răspundere deplină că produsul acesta este în conformitate cu următoarele standarde sau directive: este în conformitate cu Directiva 2011/65/UE a Parlamentului European și a Consiliului din 8 iunie 2011 cu privire la interzicerea utilizării anumitor substanțe periculoase la echipamentele electrice și electronice.
- (HR) Izjavljujemo pod vlastitom odgovornošću da je strojem ukladan sa slijedećim standardima ili standardiziranim dokumentima i u skladu sa odredbama: uskladeno sa Direktivom 2011/65/EU Evropskog parlamenta i vijeća izdanom 8. lipnja 2011. o ograničenju korištenja određenih opasnih tvari u električnoj i elektroničkoj opremi.
- (SRL) Pod punom odgovornošću izjavljamo da je usaglasen sa sledećim standardima ili normama: usaglasen sa direktivom 2011/65/UE Evropskog parlamenta i Saveta od 8 juna 2011. godine za restrikciju upotrebe određenih opasnih materija u električnoj i elektroničkoj opremi.
- (RU) Под свою ответственность заявляем, что данное изделие соответствует следующим стандартам и нормам: соответствует требованиям Директивы 2011/65/UE Европейского парламента и совета от 8 июня 2011 г. по ограничению использования определенных опасных веществ в электрическом и электронном оборудовании.
- (UK) Na svoju vlasnu відповідальність заявляємо, що дане обладнання відповідає наступним стандартам і нормативам: задовольняє вимоги Директиви 2011/65/ЕС Європейського Парламенту та Ради від 8 червня 2011 року на обмеження використання деяких небезпечних речовин в електричному та електронному обладнанні.
- (EL) Δηλώνουμε υπεύθυνα ότι το προϊόν αυτό συμμορφώνεται και τηρεί τους παρακάτω κανονισμούς και πρότυπα: συμμορφώνεται με την Οδηγία 2011/65/ΕΕ του Ευρωπαϊκού Κοινοβουλίου και του Συμβουλίου της 8ης Ιουνίου 2011 για τον περιορισμό της χρήσης ορισμένων επικίνδυνων ουσιών σε ηλεκτρικό και ηλεκτρονικό εξοπλισμό.
- (AR) نعلن على مسؤوليتنا بأكملها ان هذا المنتج يتوافق ويتوافق مع المواصفات والمعايير التالية: يتوافق مع توجيه 2011/65/UE من البرلمان الأوروبي والمجلس من 8 يونيو 2011 بشأن تقييد استخدام بعض المواد الخطرة في المعدات الكهربائية والإلكترونية.
- (TR) Tek sorumluluğu biz olarak bu ürünüň aşajıdaki standart ve yönergelere uygun olduğunu beyan ederiz.
- (MK) Izjavuваме со наша целосna odgovornost дека производителот е во согласnost со Смерницата 2011/65/UE на Европскиот парламент и е во согласnost според Советот од 9 јуни за ограничување на користење на одредени опасни супстанции во електричната и електронската опрема и дека е според следните стандарди и регулативи:

**EN 62841-1, EN 62841-3-10, EN 55014-1, EN 55014-2,  
EN 61000-3-2, EN 61000-3-3**

**2006/42/EC, 2014/30/EU, 2012/19/EU. 2011/65/EU**

Zwolle, 01-03-2020

H.G.F. Rosberg  
CEO FERM

**FERM - Lingenstraat 6 - 8028 PM - Zwolle - The Netherlands**

