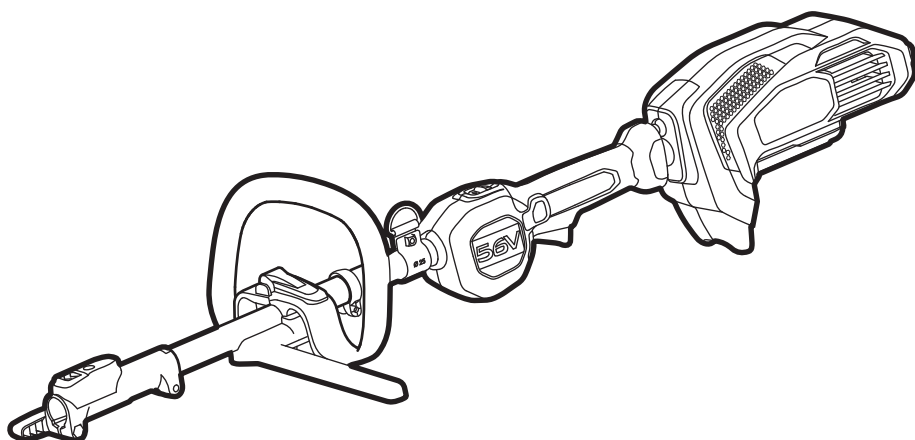


# EGO™

POWER<sup>+</sup> POWER HEAD

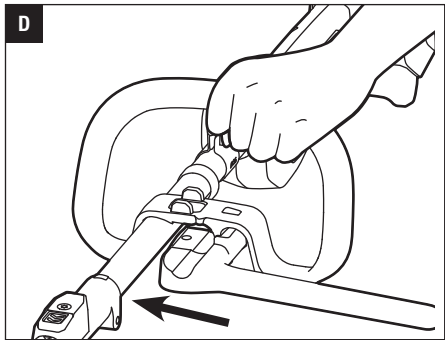
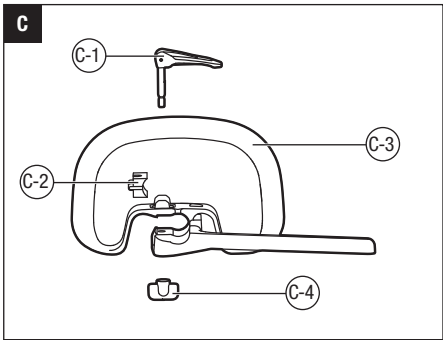
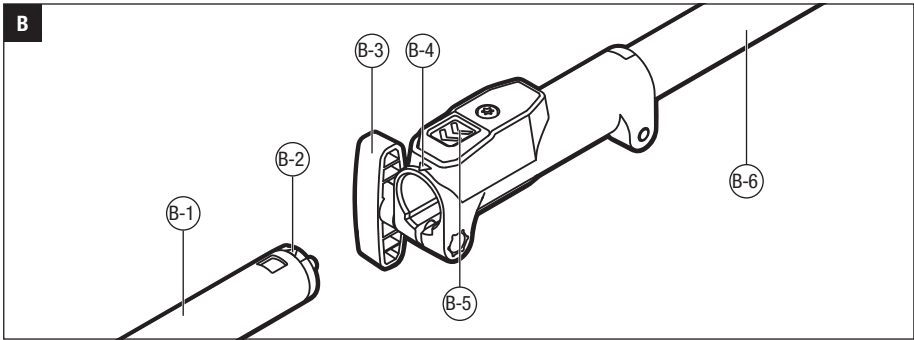
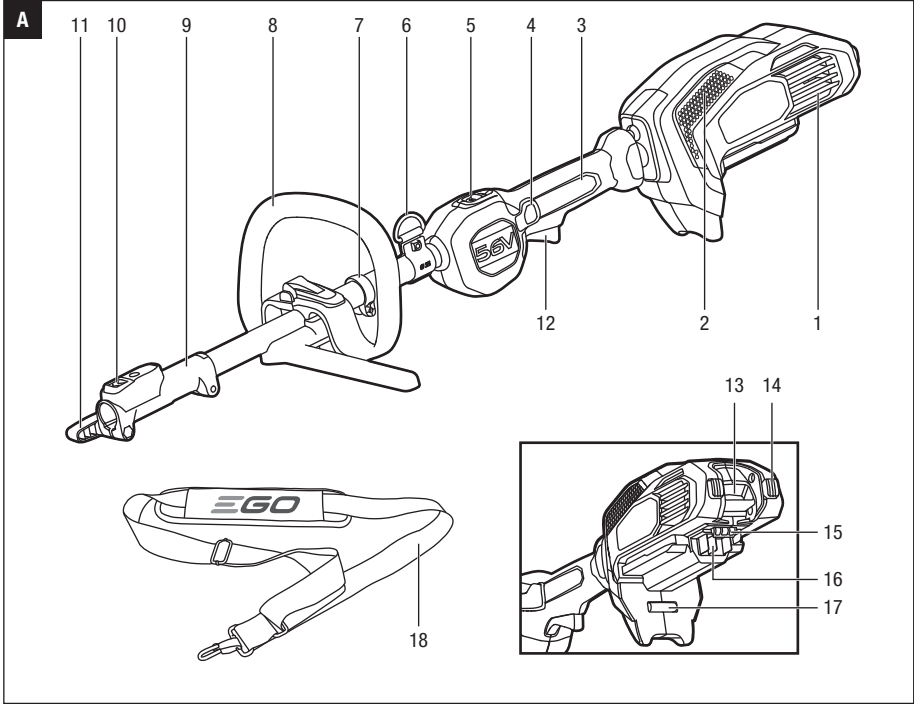


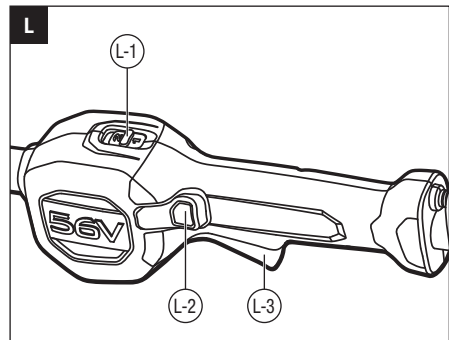
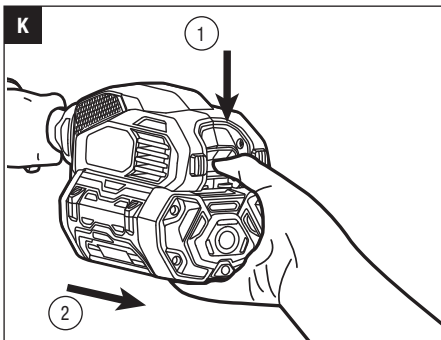
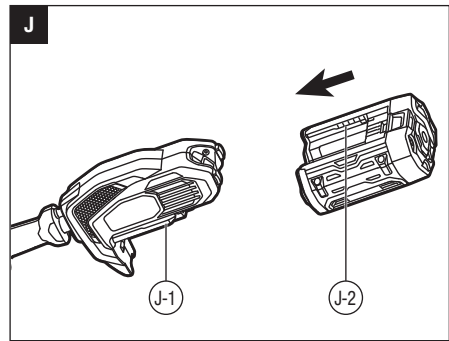
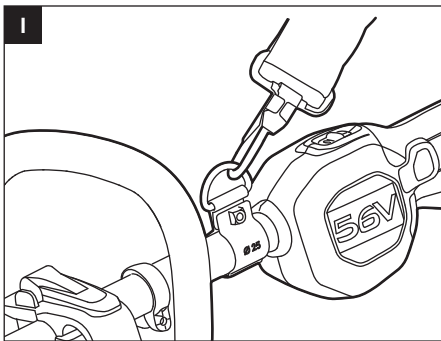
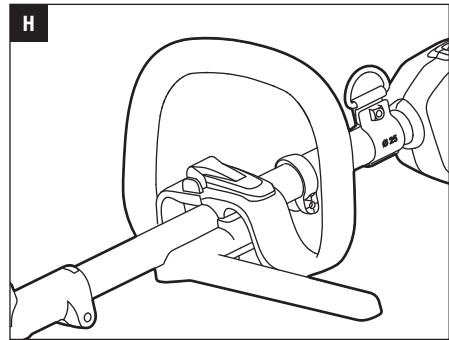
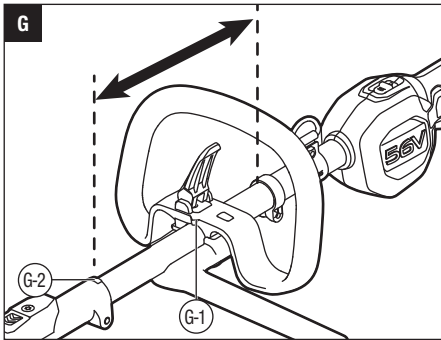
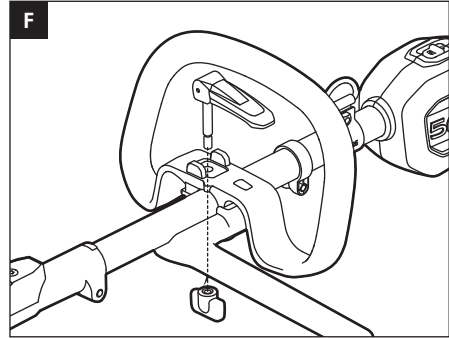
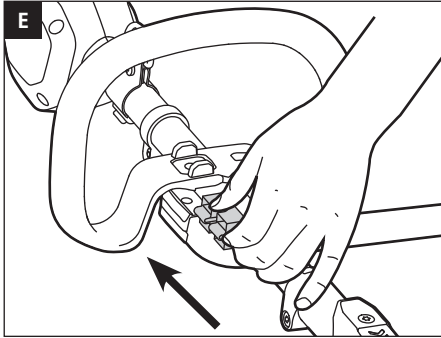
OPERATOR'S MANUAL

## 56-VOLT LITHIUM-ION CORDLESS POWER HEAD

MODEL NUMBER PH1400E

EN	56 volt multi tool power head	4	RU	Литиевая приводная головка 56 в	71
DE	56 volt multi tool antriebsseinheit	10	PL	Głowica z akumulatorem litowym 56 v	78
FR	Tête alimentée au lithium 56 volts	16	CZ	Pohonná hlava na 56 v lithiové baterie	85
ES	Cabezal de potencia con batería de litio de 56 voltios	22	SK	Pohonná hlava na 56 v lítiové batérie	91
PT	Cabeça motora de lítio de 56 volts	29	HU	56 voltos lítium meghajtófej	97
IT	Testa di alimentazione al litio 56 volt	35	RO	Cap alimentat cu acumulator de litiu de 56 volți	103
NL	56 volt multitool basis machine	41	SL	56-voltna litijeva pogonska glava	109
DK	Motordel m. 56 v lithium-batteri	47	LT	56 v ličio galios galvutė	115
SE	56 volts lithium-motorenhet	53	LV	56 voltu litija akumulatora galva	121
FI	56 voltin litiumakkupää	59	GR	Κεφαλή ισχύος λιθίου 56 volt	128
NO	56 volt litium motorenhet	65	TR	56 volt lityum pilli kafa	135
			ET	56-v multitööriista pea	141





## READ ALL INSTRUCTIONS!



### READ OPERATOR'S MANUAL

**⚠ Residual risk!** People with electronic devices, such as pacemakers, should consult their physician(s) before using this product. Operation of electrical equipment in close proximity to a heart pacemaker could cause interference or failure of the pacemaker.

**⚠ WARNING:** To ensure safety and reliability, all repairs and replacements should be performed by a qualified service technician.

## SAFETY SYMBOLS

The purpose of safety symbols is to attract your attention to possible dangers. The safety symbols and the explanations with them deserve your careful attention and understanding. The symbol warnings do not, by themselves, eliminate any danger. The instructions and warnings they give are no substitutes for proper accident prevention measures.

**⚠ WARNING:** Be sure to read and understand all safety instructions in this Operator's Manual, including all safety alert symbols such as "DANGER," "WARNING," and "CAUTION" before using this tool. Failure to follow all instructions listed below may result in electric shock, fire, and/or serious personal injury.

## SYMBOL MEANING

**⚠ SAFETY ALERT SYMBOL:** Indicates **DANGER, WARNING, OR CAUTION.** May be used in conjunction with other symbols or pictographs.



**⚠ WARNING:** The operation of any power tools can result in foreign objects being thrown into your eyes, which can result in severe eye damage. Before beginning power tool operation, always wear safety goggles or safety glasses with side shields and a full face shield when needed. We recommend a Wide Vision Safety Mask for use over eyeglasses or standard safety glasses with side shields.

## SAFETY INSTRUCTIONS

This page depicts and describes safety symbols that may appear on this product. Read, understand, and follow all instructions on the machine before attempting to assemble and operate it.

	Safety Alert	Indicates a potential personal injury hazard.
	Read operator's manual	To reduce the risk of injury, user must read and understand operator's manual before using this product.
	Wear Eye Protection	Always wear safety goggles or safety glasses with side shields and a full face shield when operating this product.
	CE	This product is in accordance with applicable EC directives.
	WEEE	Waste electrical products should not be disposed of with household waste. Take to an authorized recycler.
	Do Not Expose To Rain	Do not use in the rain or leave outdoors while it is raining.
V	Volt	Voltage
mm	Millimeter	Length or size
cm	Centimeter	Length or size
in.	Inch	Length or size
kg	Kilogram	Weight
lb	Pound	Weight
	Direct Current	Type or a characteristic of current

## GENERAL POWER TOOL SAFETY WARNINGS

**⚠ WARNING:** Read all safety warnings and instructions. Failure to follow the warnings and instructions may result in electric shock, fire and/or serious injury.

### Save all warnings and instructions for future reference.

The term "power tool" in the warnings refers to your mains-operated (corded) power tool or battery-operated (cordless) power tool.

### WORK AREA SAFETY

- **Keep work area clean and well lit.** Cluttered or dark areas invite accidents.
- **Do not operate power tools in explosive atmospheres, such as in the presence of flammable liquids, petrol or dust.** Power tools create sparks which may ignite the dust or fumes.
- **Keep children and bystanders away while operating a power tool.** Distractions can cause you to lose control.

### ELECTRICAL SAFETY

- **Power tool plugs must match the outlet. Never modify the plug in anyway. Do not use any adaptor plugs with earthed (grounded) power tools.** Unmodified plugs and matching outlets will reduce risk of electric shock.
- **Avoid body contact with earthed or grounded surfaces, such as pipes, radiators, ranges and refrigerators.** There is an increased risk of electric shock if your body is earthed or grounded.
- **Do not expose power tools to rain or wet conditions.** Water entering a power tool will increase the risk of electric shock.
- **Do not abuse the cord. Never use the cord for carrying, pulling or unplugging the power tool. Keep cord away from heat, oil, sharp edges or moving parts.** Damaged or entangled cords increase the risk of electric shock.
- **When operating a power tool outdoors, use an extension cord suitable for outdoor use.** Use of a cord suitable for outdoor use reduces the risk of electric shock.
- **If operating a power tool in a damp location is unavoidable, use a Ground-fault circuit interrupter protected supply.** Use of GFCI reduces the risk of electric shock.

### PERSONAL SAFETY

- **Stay alert, watch what you are doing and use common sense when operating a power tool. Do not use a power tool while you are tired or under the influence of drugs, alcohol, or medication.** A moment of inattention while operating power tools may result in serious personal injury.

- **Use personal protective equipment. Always wear eye protection.** Protective equipment such as dust mask, non-skid safety shoes, hard hat, or hearing protection used for appropriate conditions will reduce personal injuries.
- **Prevent unintentional starting. Ensure the switch is in the off-position before connecting to power source and/or battery pack, picking up or carrying the tool.** Carrying power tools with your finger on the switch or energizing power tools that have the switch on invites accidents.
- **Remove any adjusting key or wrench before turning the power tool on.** A wrench or a key left attached to a rotating part of the power tool may result in personal injury.
- **Do not overreach. Keep proper footing and balance at all times.** This enables better control of the power tool in unexpected situations.
- **Dress properly. Do not wear loose clothing or jewelry. Keep your hair, clothing and gloves away from moving parts.** Loose clothes, jewelry or long hair can be caught in moving parts.
- **If devices are provided for the connection of dust extraction and collection facilities, ensure these are connected and properly used.** Use of dust devices can reduce dust-related hazards.

### POWER TOOL USE AND CARE

- **Do not force the power tool. Use the correct power tool for your application.** The correct power tool will do the job better and safer at the rate for which it was designed.
- **Do not use the power tool if the switch does not turn it on and off.** Any power tool that cannot be controlled with the switch is dangerous and must be repaired.
- **Disconnect the plug from the power source and/or the battery pack from the power tool before making any adjustments, changing accessories, or storing power tools.** Such preventive safety measures reduce the risk of starting the power tool accidentally.
- **Store idle power tools out of the reach of children and do not allow persons unfamiliar with the power tool or these instructions to operate the power tool.** Power tools are dangerous in the hands of untrained users.
- **Maintain power tools. Check for misalignment or binding of moving parts, breakage of parts and any other condition that may affect the power tool's operation. If damaged, have the power tool repaired before use.** Many accidents are caused by poorly maintained power tools.

- **Keep cutting tools sharp and clean.** Properly maintained cutting tools with sharp cutting edges are less likely to bind and are easier to control.
- **Use the power tool, accessories and tool bits etc. in accordance with these instructions, taking into account the working conditions and the work to be performed.** Use of the power tool for operations different from those intended could result in a hazardous situation.
- **This 56V power head PH1400E may be used with only the following EGO attachments or subsequently introduced by EGO for use with this power head:**

ATTACHMENT TYPE	MODEL NUMBER
Edger	EA0800
Brush Cutter	BCA1200
Line Trimmer	STA1500
Pole Saw	PSA1000
Pole Hedge Trimmer	HTA2000

### BATTERY TOOL USE AND CARE

- **Recharge only with the charger specified by the manufacturer.** A charger that is suitable for one type of battery pack may create a risk of fire when used with another battery pack.
- **Use power tools only with specifically designated battery packs listed below.** Use of any other battery packs may create a risk of injury and fire.

BATTERY	CHARGER
BA1120E, BA2240E, BA2800, BA3360, BA4200 (BA3360 & BA4200 are not applicable when equipped with brush cutter attachment)	CH5500E, CH2100E

- **When battery pack is not in use, keep it away from other metal objects, like paper clips, coins, keys, nails, screws or other small metal objects that can make a connection from one terminal to another.** Shorting the battery terminals together may cause burns or a fire.
- **Under abusive conditions, liquid may be ejected from the battery; avoid contact. If contact accidentally occurs, flush with water. If liquid contacts eyes, additionally seek medical help.** Liquid ejected from the battery may cause irritation or burns.

### SERVICE

- **Have your power tool serviced by a qualified repair person using only identical replacement parts.** This will ensure that the safety of the power tool is maintained.

- If situations occur that are not covered in this manual, use care and good judgment. Contact the EGO Service Center for assistance.

### SAVE THESE INSTRUCTIONS

**ADDITIONAL SPECIFIC SAFETY RULES CAN BE FOUND IN THE APPLICABLE ATTACHMENT'S OPERATOR'S MANUAL**

## SPECIFICATIONS

Voltage	56 V $\overline{\text{---}}$
Weight (Without battery pack)	2.73 kg

## PACKING LIST

PART NAME	QUANTITY
Power Head	1
Adjustable Front-Assist Handle	1
Shoulder Strap	1
Operator's Manual	1

## DESCRIPTION

### KNOW YOUR POWER HEAD (Fig. A)

1. Air Outlet
2. Air Inlet
3. Rear Handle
4. Lock-off Button
5. High/low-Speed Switch
6. Shoulder-strap Mount Hanger
7. Threshold Ring
8. Adjustable Front-Assist Handle
9. Coupler
10. Shaft-Release Button
11. Wing Knob
12. Trigger
13. Battery-Release Button
14. Rubber Pad Protection
15. Latch
16. Electric Contacts
17. Ejection Mechanism
18. Shoulder Strap (special accessory)

## ASSEMBLY

**⚠ WARNING:** If any parts are damaged or missing, do not operate this product until the parts are replaced. Use of this product with damaged or missing parts could result in serious personal injury.

**⚠ WARNING:** Always remove the battery pack from the product when you are assembling parts, making adjustments, cleaning, or when the product is not in use.

### INSTALLING AN ATTACHMENT TO THE POWER HEAD

**⚠ WARNING:** Read and understand entire Operator's Manual for each optional attachment used on this power head and follow all warnings and instructions. Failure to follow all instructions could result in electric shock, fire and/or serious personal injury.

**⚠ WARNING:** This 56V power head PH1400E is designed to be used only with the EGO attachment models that are specified in this Operator's Manual or subsequently introduced by EGO for use with this power head. Use of other, unauthorized attachments could cause serious personal injuries or property damage.

**⚠ WARNING:** Never install, remove, or adjust any attachment while the power head is running or with the battery installed. Failure to stop the motor and remove the battery can cause serious personal injury. **NEVER OPERATE THE POWER HEAD WITHOUT AN ATTACHMENT.**

The attachment connects to the power head by means of a coupler device.

1. Stop the motor and remove the battery pack.
2. Loosen the wing knob.
3. Remove the end cap from the attachment. Align the arrow on the attachment shaft with the arrow on the coupler and push the attachment shaft into the coupler until you hear a clear "click" sound, which indicates that the attachment shaft is mounted into place (Fig. B).

Fig. B parts description see below:

B-1	Attachment Shaft	B-4	Arrow on the Coupler
B-2	Arrow on the Attachment Shaft	B-5	Shaft-Release Button
B-3	Wing Knob	B-6	Power-head Shaft

4. Pull the shaft of the attachment to verify it is securely locked into the coupler. If not, rotate the attachment shaft from side to side in the coupler until it snaps into place.

5. Tighten the wing knob securely.

**⚠ WARNING:** Be certain the wing knob is fully tightened before operating equipment; check it periodically for tightness during use to avoid serious personal injury.

### REMOVING THE ATTACHMENT FROM THE POWER HEAD

1. Stop the motor and remove the battery pack.
2. Loosen the wing knob.
3. Press the shaft-release button, with the button depressed, pull or twist the attachment shift out of the coupler.

### MOUNTING AND ADJUSTING THE FRONT-ASSIST HANDLE

1. Stop the motor and remove the battery pack, if installed.
2. Loosen the wing nut to separate the adjustable front-assist handle (Fig. C).

Fig. C parts description see below:

C-1	Lock Pole	C-3	Front-Assist Handle
C-2	Clamping Block	C-4	Wing Nut

3. Push the front-assist handle onto the shaft between the threshold ring and the coupler (Fig. D).
4. Insert the clamping block into the handle slot (Fig. E).
5. Mount the lock pole, and pre-tighten them with the wing nut. Make sure that the front-assist handle is upwards and points toward the top of the rear handle (Fig. F).
6. Adjust the front-assist handle between the threshold ring and the coupler to make sure your front arm is straight when operating and ensure that the arrow on the front-assist handle is within the limitation range marked on the coupler (Fig. G).

Fig. G parts description see below:

G-1	Arrow	G-2	Limitation Range
-----	-------	-----	------------------

7. Lock the lever of the lock pole (Fig. H).

**⚠ WARNING:** Never operate the tool without the front-assist handle firmly in place.

**⚠ WARNING:** Only fix the front-assist handle between the threshold ring and the coupler.

### MOUNTING THE SHOULDER STRAP

Depress the strap hook to open it and attach it onto shoulder-strap mount hanger on the power head (Fig. I).

## EN OPERATION

**⚠ WARNING:** Do not allow familiarity with this product to make you careless. Remember that a careless fraction of a second is sufficient to inflict serious injury.

**⚠ WARNING:** Always wear eye protection. Failure to do so could result in objects being thrown into your eyes and other possible serious injuries.

**⚠ WARNING:** Do not use any attachments or accessories not recommended by the manufacturer of this product. The use of attachments or accessories not recommended can result in serious personal injury.

**⚠ WARNING: NEVER OPERATE THE POWER HEAD WITHOUT AN ATTACHMENT.**

### INSTALLING/REMOVING THE BATTERY PACK

**NOTE:** Fully charge the battery pack before first use.

#### To Install

Align the battery ribs with the mounting slots and press the battery pack down until you hear a “click” (Fig. J).

Fig. J parts description see below:

J-1	Mounting Slot
J-2	Rib

#### To Remove

Depress the battery-release button and pull the battery pack out (Fig. K).

**⚠ WARNING:** To avoid serious personal injury, always remove the battery pack and keep hands clear of the lock-off button and trigger when carrying or transporting the tool.

### STARTING/STOPPING THE POWER HEAD (Fig. L)

#### To Start

Press down the lock-off button and hold it in that position. Depress the trigger to turn on the power head. Different pressure on the trigger results in variable rotating speed of the power head. More pressure, higher speed.

#### To Stop

Release the trigger.

**NOTICE:** The motor runs only when the lock-off button and trigger are both pressed.

### Speed Adjustment Function (Fig. L)

The power head has two speeds. Position “1” is for low speed while Position “2” for high speed. Push or pull the high/low-speed switch to choose the suitable speed during operation.

Fig. L parts description see below:

L-1	High/Low-Speed Switch
L-2	Lock-off Button
L-3	Trigger

## MAINTENANCE

**⚠ WARNING:** Before inspecting, cleaning or servicing the unit, stop the motor, wait for all moving parts to stop, and remove the battery pack. Failure to follow these instructions can result in serious personal injury or property damage.

**⚠ WARNING:** When servicing, use only identical replacement parts. Use of any other parts can create a hazard or cause product damage. To ensure safety and reliability, all repairs, other than the items listed in these maintenance instructions, should be performed by a qualified service technician.

**NOTICE:** Before each use, inspect the entire product for damaged, missing, or loose parts such as screws, nuts, bolts, caps, etc. Tighten securely all fasteners and caps and do not operate this product until all missing or damaged parts are replaced. Please contact customer service or a qualified service technician.

### GENERAL MAINTENANCE

Avoid using solvents when cleaning plastic parts. Most plastics are susceptible to damage from various types of commercial solvents and may be damaged by their use. Use clean cloths to remove dirt, dust, oil, grease, etc.

### CLEANING THE POWER HEAD

1. Stop the motor and remove the battery pack.
2. Clean dirt and debris from the power head using a damp cloth with a mild detergent.

**NOTICE:** Do not use any strong detergents on the plastic housing or the handle. They can be damaged by certain aromatic oils such as pine and lemon.



**STORING THE POWER HEAD**

1. Remove the battery pack from the power head before storing.
2. Clean all foreign material from the power head.
3. Store it in a place that is inaccessible to children.
4. Keep away from corrosive agents such as garden chemicals and de-icing salts.

**Protecting the environment**

Do not dispose of electrical equipment, battery charger and batteries/rechargeable batteries into household waste!

According to the European law 2012/19/EU, electrical and electronic equipment that is no longer usable, and according to the European law 2006/66/EC, defective or used battery packs/batteries, must be collected separately.

If electrical appliances are disposed of in landfills or dumps, hazardous substances can leak into the groundwater and get into the food chain, damaging your health and well-being.

**TROUBLESHOOTING**

See the applicable attachment's operator's manual.

**WARRANTY****EGO WARRANTY POLICY**

Please visit the website [egopowerplus.com](http://egopowerplus.com) for full terms and conditions of the EGO Warranty policy.

01/12/2016



**LESEN SIE DIE BEDIENUNGSANLEITUNG**

**⚠ Restrisiko!** Menschen mit elektronischen Geräten, wie z.B. Herzschrittmachern, sollten ihren Arzt konsultieren, bevor sie dieses Gerät verwenden. Die Bedienung von Elektrogeräten in unmittelbarer Nähe zu Herzschrittmachern kann zu Interferenzen und Störungen des Schrittmachers führen.

**⚠ WARNUNG:** Um die Sicherheit und Zuverlässigkeit zu gewährleisten, sollten alle Reparaturen nur von qualifizierten Servicetechnikern durchgeführt werden.

**SICHERHEITSSYMBOL**

Der Zweck von Sicherheitssymbolen besteht darin, Ihre Aufmerksamkeit auf mögliche Gefahren zu lenken. Die Sicherheitssymbole und deren Erklärungen verdienen Ihre vollste Aufmerksamkeit und Ihr Verständnis. Die Warnsymbole beseitigen nicht von sich aus die Gefahren. Ihre Anweisungen und Warnungen sind kein Ersatz für angemessene Unfallverhütungsmaßnahmen.

**⚠ WARNUNG:** Achten sie darauf, dass sie, bevor Sie das Gerät benutzen, alle Sicherheitsanweisungen dieser Bedienungsanleitung gelesen und verstanden haben, einschließlich aller Gefahrenzeichen wie „**VORSICHT**“, „**WARNUNG**“ und „**ACHTUNG**“. Die Nichtbeachtung der unten angeführten Anweisungen kann zu Stromschlägen, Feuer und/oder schweren Personenschäden führen.

**SYMBOLBEDEUTUNG**

**⚠ SYMBOL FÜR SICHERHEITSWARNUNGEN:** Weist auf **GEFAHR**, eine **WARNUNG** oder **VORSICHT** hin. Kann zusammen mit anderen Symbolen oder Bildern verwendet werden.



**⚠ WARNUNG:** Die Bedienung von Elektrogeräten kann dazu führen, dass Fremdkörper in Ihre Augen geschleudert werden und Sie dadurch schwerwiegende Augenschäden davontragen. Tragen Sie immer eine Schutzbrille, wenn möglich mit Seitenschutz, oder, falls nötig, einen vollen Gesichtsschutz, bevor Sie Arbeiten mit dem Elektrowerkzeug verrichten. Wir empfehlen Ihnen, einen Gesichtsschutz über Ihrer eigenen Brille oder eine herkömmliche Schutzbrille mit Seitenschutz zu tragen.

**SICHERHEITSHINWEISE**

Diese Seite zeigt und beschreibt die Sicherheitssymbole, die auf diesem Produkt erscheinen können. Lesen, verstehen und befolgen Sie die Anleitungen auf der Maschine, bevor Sie versuchen, die Maschine zusammenzubauen oder zu bedienen.

	Sicherheitswarnung	Weist auf mögliche Verletzungsgefahr hin.
	Lesen Sie die Bedienungsanleitung	Um das Verletzungsrisiko zu verringern, muss der Benutzer die Bedienungsanleitung vor der Benutzung des Gerätes gelesen und verstanden haben.
	Augenschutz tragen	Tragen Sie immer eine Schutzbrille, möglichst mit Seitenschutz, und einen Gesichtsschutz, wenn Sie das Gerät bedienen.
	CE	Dieses Produkt erfüllt die anwendbaren EG-Richtlinien.
	WEEE	Elektro- und Elektronik-Altgeräte dürfen nicht im Hausmüll entsorgt werden. Bringen Sie das Gerät zu einem zugelassenen Recyclinghof.
	Vor Regen schützen	Nicht im Regen verwenden oder bei Regen im Freien liegen lassen.
V	Volt	Spannung
mm	Millimeter	Länge oder Größe
cm	Zentimeter	Länge oder Größe
in.	Zoll	Länge oder Größe
kg	Kilogramm	Gewicht
lb	Pfund	Gewicht
	Gleichstrom	Stromart oder Merkmal des Stroms

**ALLGEMEINE SICHERHEITSHINWEISE ZU ELEKTROWERKZEUGEN**

**⚠ WARNUNG:** Lesen Sie alle Sicherheitshinweise und Anleitungen. Die Nichtbeachtung der Warnhinweise und Anleitungen kann zu Stromschlag, Brand und/oder schweren Verletzungen führen.

### **Bewahren Sie alle Warn- und Bedienhinweise für Nachschlagezwecke auf.**

Unter den Begriff „Elektrowerkzeug“ in den Warnhinweisen fallen Ihre netzbetriebenen (d.h. schnurgebundenen) oder akkubetriebenen (d.h. schnurlosen) Elektrowerkzeuge.

### **SICHERHEIT IM ARBEITSBEREICH**

- **Halten Sie den Arbeitsbereich stets sauber und gut beleuchtet.** Nicht aufgeräumte oder dunkle Bereiche können Unfälle provozieren.
- **Verwenden Sie das Elektrowerkzeug nicht in explosionsgefährdeten Umgebungen,** wie z.B. in Gegenwart von entzündlichen Flüssigkeiten, Benzin oder Staub. Elektrowerkzeuge erzeugen Funken, die Staub oder Dämpfe entzünden können.
- **Halten Sie Schaulustige und Kinder beim Arbeiten mit dem Elektrowerkzeug fern.** Ablenkungen können dazu führen, dass Sie die Kontrolle verlieren.

### **ELEKTRISCHE SICHERHEIT**

- **Die Netzstecker von Elektrowerkzeugen müssen zur Steckdose passen. Der Netzstecker darf unter keinen Umständen verändert werden. Verwenden Sie keine Adapterstecker an geerdeten Elektrowerkzeugen.** Unveränderte Stecker und passende Steckdosen reduzieren die Stromschlaggefahr.
- **Vermeiden Sie den Körperkontakt zu geerdeten Flächen wie zum Beispiel Rohrleitungen, Heizkörpern, Herden und Kühlschränken.** Es besteht erhöhte Stromschlaggefahr, wenn Ihr Körper geerdet ist.
- **Setzen Sie Elektrowerkzeuge nicht bei Regen oder unter anderen feuchten Bedingungen ein.** Wenn Wasser in das Elektrowerkzeug eindringt, besteht erhöhte Stromschlaggefahr.
- **Das Kabel darf nicht zweckentfremdet werden. Das Netzkabel darf nicht zum Tragen, Ziehen oder Herausziehen des Elektrowerkzeugs aus der Steckdose verwendet werden. Das Netzkabel muss vor Hitze, Öl, scharfen Kanten oder beweglichen Teilen ferngehalten werden.** Durch beschädigte oder verknotete Kabel besteht erhöhte Stromschlaggefahr.
- **Wenn Sie ein Elektrowerkzeug im Freien benutzen, verwenden Sie ein Verlängerungskabel, das für den Gebrauch im Freien geeignet ist.** Die Stromschlaggefahr verringert sich bei Gebrauch eines Netzkabels, das für den Einsatz im Freien geeignet ist.
- **Wenn sich der Einsatz des Elektrowerkzeugs an einem feuchten Ort nicht vermeiden lässt, benutzen Sie eine Steckdose, die mit einem FI-Schalter gesichert ist.** Die Verwendung einer Fehlerstromschutzeinrichtung reduziert die Stromschlaggefahr.

### **PERSONENSICHERHEIT**

- **Seien Sie wachsam, geben Sie darauf Acht, was Sie tun, und benutzen Sie Ihren gesunden Menschenverstand, wenn Sie das Elektrowerkzeug verwenden. Betreiben Sie das Gerät nicht, wenn Sie müde sind oder unter dem Einfluss von Drogen, Alkohol oder Medikamenten stehen.** Ein Moment der Unachtsamkeit bei der Bedienung von Elektrowerkzeugen kann zu ernsthaften Verletzungen führen.
- **Tragen Sie eine persönliche Schutzausrüstung. Tragen Sie immer einen Augenschutz.** Durch eine für die jeweiligen Bedingungen geeignete Schutzausrüstung wie etwa eine Staubschutzmaske, rutschfeste Schuhe, Helm oder Gehörschutz lässt sich die Verletzungsgefahr verringern.
- **Ungewollten Motorstart verhindern. Vor dem Anschließen an eine Steckdose und/oder einen Akku und vor dem Aufheben oder Transportieren des Werkzeugs immer kontrollieren, ob der Betriebsschalter ausgestellt ist.** Unfälle sind vorprogrammiert, wenn Sie Elektrowerkzeuge mit einem Finger am Netzschalter tragen oder Elektrowerkzeuge mit eingeschaltetem Netzschalter an eine Steckdose anschließen.
- **Entfernen Sie alle Einstellschlüssel oder Schraubenschlüssel, bevor Sie das Elektrowerkzeug einschalten.** Ein Schraubenschlüssel oder ein Schlüssel, der noch an einem beweglichen Teil des Elektrowerkzeugs befestigt ist, kann zu Verletzungen führen.
- **Nicht überstrecken. Achten Sie stets auf einen festen Stand und halten Sie das Gleichgewicht.** Dies ermöglicht eine bessere Kontrolle über das Elektrowerkzeug in unerwarteten Situationen.
- **Tragen Sie angemessene Kleidung. Tragen Sie keine weite Kleidung oder Schmuck. Halten Sie Ihr Haar, Ihre Kleidung und Handschuhe von den beweglichen Teilen fern.** Weite Kleidung, Schmuck oder langes Haar können sich in den beweglichen Teilen verfangen.
- **Wenn Komponenten zum Anschluss an eine Absauganlage und an Auffangvorrichtungen mitgeliefert werden, achten Sie darauf, dass diese ordnungsgemäß befestigt und benutzt werden.** Durch eine Staubabsaugvorrichtung lassen sich Gefahrenquellen durch Staub ausschalten.

### **GEBRAUCH UND PFLEGE DES ELEKTROWERKZEUGS**

- **Üben Sie keinen übermäßigen Druck auf das Elektrowerkzeug aus. Verwenden Sie geeignetes Elektrowerkzeug für die jeweiligen Arbeiten.** Durch das passende Elektrowerkzeug lassen sich die Arbeiten besser und sicherer in dem jeweils vorgesehenen Tempo erledigen.

- **Verwenden Sie das Elektrowerkzeug nicht, wenn sich der Schalter nicht ein- und ausschalten lässt.** Ein Elektrowerkzeug, das sich über den Schalter nicht betätigen lässt, ist gefährlich und muss repariert werden.
- **Ziehen Sie den Netzstecker aus der Steckdose bzw. nehmen Sie den Akku vom Elektrowerkzeug ab, bevor Sie Einstellungen vornehmen, das Zubehör wechseln oder das Elektrowerkzeug verstauen.** Solche vorsorglichen Sicherheitsmaßnahmen verringern die Gefahr, dass sich das Elektrowerkzeug unbeabsichtigt einschaltet.
- **Bewahren Sie nicht benutzte Elektrowerkzeuge außerhalb der Reichweite von Kindern auf und verbieten Sie Personen die Gerätebenutzung, die das Elektrowerkzeug oder diese Anweisungen nicht kennen.** In den Händen ungeübter Benutzer stellen Elektrowerkzeuge eine große Gefahr dar.
- **Elektrowerkzeuge müssen gewartet werden.** Achten Sie auf falsch ausgerichtete oder fest sitzende Bauteile, Bruchstellen und sonstige Umstände, die die Funktion des Elektrowerkzeuges beeinträchtigen können. Lassen Sie beschädigte Elektrowerkzeuge reparieren, bevor Sie sie wieder einsetzen. Viele Unfälle entstehen durch schlecht gewartete Elektrowerkzeuge.
- **Halten Sie Schneidwerkzeuge scharf und sauber.** Sachgemäß gewartete Schneidwerkzeuge mit scharfen Schneiden neigen weniger zum Festfahren und sind leichter zu kontrollieren.
- **Benutzen Sie das Elektrowerkzeug, Zubehör, Werkzeigteile usw. gemäß diesen Anweisungen und berücksichtigen Sie dabei die Arbeitsbedingungen und die auszuführende Arbeit.** Die Verwendung des Elektrowerkzeugs für Aufgaben, die von seinem bestimmungsgemäßen Zweck abweichen, kann zu gefährlichen Situationen führen.
- **Dieser 56V-Kombimotor PH1400E darf nur mit nachstehenden EGO-Anbauwerkzeugen verwendet werden:**

ANBAUWERKZEUG	MODELLNUMMER
Kantenschneider	EA0800
Gestrüppschneider	BCA1200
Rasentrimmer	STA1500
Hoch-Entaster	PSA1000
Heckenschneider	HTA2000

## BENUTZUNG UND PFLEGE VON AKKUWERKZEUGEN

- **Laden Sie den Akku nur mit dem vom Hersteller angegebenen Ladegerät auf.** Ein Ladegerät, das für einen bestimmten Akkutyp geeignet ist, kann bei der Benutzung eines anderen Akkus zu einer Brandgefahr werden.
- **Benutzen Sie für die Elektrowerkzeuge nur die jeweils zugehörigen Akkus.** Durch die Verwendung anderer Akkus besteht Verletzungs- und Brandgefahr.

AKKU	LADEGERÄT
BA1120E, BA2240E, BA2800, BA3360, BA4200 (BA3360 und BA4200 sind nicht anwendbar, wenn das Gerät mit dem Gestrüppschneider-Anbauwerkzeug versehen ist.)	CH5500E, CH2100E

- **Wenn der Akku nicht benutzt wird, halten Sie ihn von anderen metallischen Objekten fern, wie Büroklammern, Münzen, Schlüssel, Nägel, Schrauben oder anderen kleinen Metallgegenständen, die eine Verbindung zwischen den Batteriekontakten herstellen können.** Das Kurzschließen der Batteriekontakte kann Verbrennungen oder Brände verursachen.
- **Bei unsachgemäßer Anwendung kann Flüssigkeit aus dem Akku austreten; Kontakt vermeiden. Bei versehentlichem Kontakt sofort mit Wasser spülen. Falls Flüssigkeit in die Augen geraten ist, suchen Sie außerdem einen Arzt auf.** Aus dem Akku austretende Flüssigkeit kann Reizungen oder Verbrennungen verursachen.

## REPARATUR

- **Lassen Sie Ihr Elektrowerkzeug von einer qualifizierten Fachkraft und nur unter Verwendung identischer Ersatzteile reparieren.** Nur so kann für die Sicherheit des Elektrowerkzeugs gesorgt werden.
- Falls Situationen auftreten, die nicht in dieser Bedienungsanleitung behandelt werden, gehen Sie vorsichtig und vernünftig vor. Reparaturanfragen richten Sie bitte an das EGO-Servicezentrum.

## HEBEN SIE DIESE ANLEITUNG AUF!

**ZUSÄTZLICHE SICHERHEITSHINWEISE FINDEN SIE IN DER BETRIEBSANLEITUNG DES JEWEILIGEN ANBAUWERKZEUGS**

## TECHNISCHE DATEN

Spannung	56 V $\overline{\text{---}}$
Gewicht (ohne Akku)	2,73 kg

## PACKLISTE

TEILEBEZEICHNUNG	MENGE
Kombimotor	1
Verstellbarer vorderer Haltegriff	1
Schultergurt	1
Bedienungsanleitung	1

## BESCHREIBUNG

### LERNEN SIE IHREN KOMBIMOTOR KENNEN (Abb. A)

1. Luftaustrittsöffnung
2. Luftansaugung
3. Hinterer Griff
4. Feststelltaste
5. Drehzahlsschalter Hoch/Niedrig
6. Anschlagring
7. Verstellbarer vorderer Haltegriff
8. Kupplung
9. Schafftfreigabetaste
10. Knebelschraube
11. Schrittbegrenzer
12. Auslöser
13. Akku-Freigabeknopf
14. Gummischutzpolster
15. Verschluss
16. Elektrische Kontakte
17. Ausstoßmechanismus
18. Schultergurt (Sonderzubehör)

## MONTAGE

**⚠️ WARNUNG:** Wenn Teile beschädigt sind oder fehlen, darf das Gerät erst in Betrieb genommen werden, wenn alle Teile vollständig angebracht sind. Die Verwendung des Geräts mit beschädigten oder fehlenden Teilen kann zu schweren Verletzungen führen.

**⚠️ WARNUNG:** Der Akku muss immer aus dem Gerät genommen werden, wenn Teile montiert, Einstellungen vorgenommen, Teile gereinigt werden oder das Gerät außer Betrieb genommen wird.

## INSTALLATION EINES ANBAUWERKZEUGS AN DEN KOMBIMOTOR

**⚠️ WARNUNG:** Lesen Sie für jedes mit diesem Kombimotor verwendete optionale Anbauwerkzeug dessen Betriebsanleitung vollständig durch und befolgen Sie alle Warnhinweise und Anweisungen. Die Nichtbeachtung der Anweisungen kann zu Stromschlag, Brand und/oder schweren Verletzungen führen.

**⚠️ WARNUNG:** Dieser 56V-Kombimotor PH1400E ist ausschließlich für die Anbauwerkzeuge konzipiert, die in dieser Betriebsanleitung aufgeführt sind oder die in Zukunft von EGO zur Verwendung mit diesem Kombimotor eingeführt werden. Die Verwendung anderer nicht zugelassener Anbauwerkzeuge kann zu schweren Verletzungen oder Sachschäden führen.

**⚠️ WARNUNG:** Anbauwerkzeuge dürfen in keinem Fall bei laufendem Kombimotor oder mit eingesetztem Akku installiert, abgenommen oder eingestellt werden. Der Motor muss ausgeschaltet und der Akku abgenommen werden, da sonst die Gefahr schwerer Verletzungen besteht. **KOMBIMOTOR IN KEINEM FALL OHNE ANBAUWERKZEUG BETREIBEN.**

Das Anbauwerkzeug wird über eine Kupplung mit dem Kombimotor verbunden.

1. Schalten Sie den Motor aus und nehmen Sie den Akku ab.
2. Lockern Sie die Knebelschraube.
3. Nehmen Sie die Abdeckung vom Anbauwerkzeug ab. Richten Sie den Pfeil auf dem Schaft des Anbauwerkzeugs und den Pfeil auf der Kupplung aufeinander aus und schieben Sie das Anbauwerkzeug in die Kupplung, bis der Schaft des Anbauwerkzeugs hörbar einrastet (Abb. B).

Teilebezeichnung der Abb. B:

B-1	Schaft des Anbauwerkzeugs
B-2	Pfeil auf dem Schaft des Anbauwerkzeugs
B-3	Knebelschraube
B-4	Pfeil auf der Kupplung
B-5	Schafftfreigabetaste
B-6	Schaft des Kombimotors

4. Ziehen Sie am Schaft des Anbauwerkzeugs, um zu überprüfen, dass er sicher in der Kupplung eingerastet ist. Falls nicht, drehen Sie den Schaft des Anbauwerkzeugs in der Kupplung, bis er einrastet.
5. Ziehen Sie die Knebelschraube gut fest.

**⚠️ WARNUNG:** Vergewissern Sie sich vor dem Betrieb des Geräts, dass die Knebelschraube gut festgezogen ist. Überprüfen Sie die Schraube während des Gebrauchs regelmäßig, um schweren Verletzungen vorzubeugen.

## ABNEHMEN DES ANBAUWERKZEUGS VOM KOMBIMOTOR

1. Schalten Sie den Motor aus und nehmen Sie den Akku ab.
2. Lockern Sie die Knebelschraube.
3. Halten Sie die Schafftfreigabetaste gedrückt und ziehen oder drehen Sie das Anbauwerkzeug aus der Kupplung.

## MONTAGE UND EINSTELLUNG DES VORDEREN HALTEGRIFFS

1. Schalten Sie den Motor aus und nehmen Sie den Akku ab, sofern er eingesetzt ist.
2. Lockern Sie die Flügelmutter, um den vorderen Haltegriff zu zerlegen (Abb. C).

Teilebezeichnung der Abb. C:

C-1	Arretierungsstift	C-3	Vorderer Haltegriff mit Schrittbegrenzer
C-2	Klemmstück	C-4	Flügelmutter

3. Drücken Sie den vorderen Haltegriff zwischen dem Anschlagring und der Kupplung auf den Schaft (Abb. D).
4. Schieben Sie das Klemmstück in die Aufnahme am Griff (Abb. E).
5. Stecken Sie den Arretierungsstift ein und spannen Sie ihn mit der Flügelmutter vor. Vergewissern Sie sich, dass der vordere Haltegriff nach oben und zur Oberseite des hinteren Griffs zeigt (Abb. F).
6. Verschieben Sie den vorderen Haltegriff so zwischen dem Anschlagring und der Kupplung, dass Ihr Arm beim Arbeiten gestreckt ist (Abb. G).

Teilebezeichnung der Abb. G:

G-1	Pfeil	G-2	Begrenzungsbereich
-----	-------	-----	--------------------

7. Und drücken Sie dann den Hebel des Arretierungsstifts nach unten (Abb. H).

**⚠️ WARNUNG:** Verwenden Sie das Werkzeug nur mit fest montiertem vorderem Haltegriff.

**⚠️ WARNUNG:** Befestigen Sie den vorderen Haltegriff nur im Bereich zwischen Anschlagring und Kupplung.

## MONTAGE DES SCHULTERGURTS

Drücken Sie auf den Gurthaken, um ihn zu öffnen, und befestigen Sie ihn auf dem Montagehalter auf dem Kombimotor (Abb. I).

## BEDIENUNG

**⚠️ WARNUNG:** Vermeiden Sie es, dass die Vertrautheit mit dem Produkt zu Nachlässigkeit führt. Denken Sie daran, dass ein kurzer Moment der Unachtsamkeit zu ernsthaften Verletzungen führen kann.

**⚠️ WARNUNG:** Tragen Sie immer einen Augenschutz. Andernfalls besteht die Gefahr, dass Gegenstände in Ihre Augen geschleudert oder andere schwere Verletzungen hervorgerufen werden.

**⚠️ WARNUNG:** Verwenden Sie keine Anbauwerkzeuge oder Zubehörteile, die nicht vom Hersteller dieses Produkts empfohlen worden sind. Die Verwendung von anderen nicht empfohlenen Anbauwerkzeugen oder Zubehörteilen kann zu schweren Verletzungen führen.

**⚠️ WARNUNG: KOMBIMOTOR IN KEINEM FALL OHNE ANBAUWERKZEUG BETREIBEN.**

## EINSETZEN/ABNEHMEN DES AKKUS

**ANMERKUNG:** Laden Sie den Akku vor dem ersten Gebrauch voll auf.

### Einsetzen

Lassen Sie die Rippen am Akkugehäuse mit den Öffnungen am Gerät fluchten und schieben Sie den Akku bis zum hörbaren Einrasten in das Gerät (Abb. J).

Teilebezeichnung der Abb. J:

J-1	Montagekerbe
J-2	Rippe

### Abnehmen

Drücken Sie den Akku-Freigabeknopf und ziehen Sie den Akku heraus (Abb. K).

**⚠️ WARNUNG:** Nehmen Sie beim Tragen oder Transportieren des Werkzeugs immer zuvor den Akku ab und nehmen Sie die Hände von der Feststellaste und dem Auslöser, um schwere Verletzungen zu vermeiden.

## START/STOPP DES KOMBIMOTORS (Abb. L)

### Einschalten

Drücken Sie die Feststellaste und halten Sie sie gedrückt. Drücken Sie den Auslöser, um den Kombimotor einzuschalten. Durch Ändern des Drucks auf den Auslöser wird die Drehzahl des Kombimotors geregelt. Je mehr Druck, desto höher die Drehzahl.

### Ausschalten

Lassen Sie den Auslöser los.

**HINWEIS:** Der Motor läuft nur, wenn der Taste zum Entriegeln und der Auslöser gleichzeitig gedrückt werden.

### Drehzahlverstellung (Abb. L)

Der Kombimotor hat zwei Drehzahlen. Position „1“ entspricht der niedrigen Drehzahl und Position „2“ der hohen Drehzahl. Drücken oder ziehen Sie den Drehzahlwechsler Hoch/Niedrig, um während des Betriebs die geeignete Drehzahl auszuwählen.

Teilebezeichnung der Abb. L:

L-1	Drehzahlwechsler Hoch/Niedrig
L-2	Feststellaste
L-3	Auslöser

## WARTUNG

**⚠️ WARNUNG:** Vor Überprüfung, Reinigung oder Reparatur des Geräts den Motor ausschalten, warten, bis alle beweglichen Teile zum Stillstand gekommen sind, und Akku abnehmen. Bei Nichtbeachtung dieser Anweisungen kann es zu schweren Verletzungen oder Sachschäden kommen.

**⚠️ WARNUNG:** Verwenden Sie für die Wartung nur identische Ersatzteile. Prüfen und warten Sie das Gerät regelmäßig. Um die Sicherheit und Zuverlässigkeit zu gewährleisten, sollten alle Reparaturen nur von qualifizierten Servicetechnikern durchgeführt werden.

**HINWEIS:** Inspizieren Sie das gesamte Produkt vor jeder Benutzung auf beschädigte, fehlende oder lockere Teile, wie z. B. Schrauben, Muttern, Bolzen, Abdeckungen usw. Ziehen Sie alle Befestigungsteile an und bedienen Sie das Produkt nicht, solange nicht alle beschädigten oder fehlenden Teile ersetzt worden sind. Bitte wenden Sie sich an den Kundendienst oder einen qualifizierten Techniker.

### ALLGEMEINE WARTUNG

Verwenden Sie keine Lösungsmittel zum Reinigen von Kunststoffteilen. Die meisten Kunststoffe reagieren empfindlich auf die verschiedenen Arten von handelsüblichen Lösungsmitteln und können durch deren Benutzung beschädigt werden. Verwenden Sie saubere Lappen zum Entfernen von Schmutz, Staub, Öl, Fett usw.

### REINIGUNG DES KOMBIMOTORS

1. Schalten Sie den Motor aus und nehmen Sie den Akku ab.

2. Reinigen Sie den Kombimotor mit einem feuchten Lappen und Spülmittel von Schmutz und Ablagerungen.

**HINWEIS:** Benutzen Sie keine starken Reiniger am Kunststoffgehäuse oder am Griff. Die Teile können von ätherischen Ölen wie z. B. Kiefer- oder Zitronenöl angegriffen werden.

### LAGERUNG DES KOMBIMOTORS

1. Nehmen Sie vor der Lagerung den Akku vom Kombimotor ab.
2. Reinigen Sie den Kombimotor von Fremdkörpern.
3. Lagern Sie das Gerät an einem Ort, der für Kinder nicht erreichbar ist.
4. Halten Sie es von korrosiven Mitteln wie Gartenchemikalien oder Tausalzen fern.

### Schützen Sie die Umwelt



Entsorgen Sie elektronische Geräte, Ladegeräte und Batterien/Akkus nicht im Hausmüll!

Gemäß der europäischen Rechtsnorm 2012/19/EU müssen elektrische und elektronische Geräte, die nicht mehr benutzt werden, separat gesammelt werden. Dasselbe trifft gemäß der europäischen Rechtsnorm 2006/66/EG auch auf defekte oder verbrauchte Batterien/Akkus zu.

Wenn elektrische Geräte auf Deponien oder Schutthalden entsorgt werden, dann können gefährliche Substanzen ins Grundwasser sickern und in die Nahrungskette übergehen, was Ihre Gesundheit und Ihr Wohlbefinden beeinträchtigen kann.

## FEHLERBEHEBUNG

Siehe Betriebsanleitung des jeweiligen Anbauwerkzeugs.

## GARANTIE

### EGO GEWÄHRLEISTUNGSRICHTLINIE

Bitte besuchen Sie unsere website [egopowerplus.com](http://egopowerplus.com) mit den kompletten EGO Garantiebedingungen.

01/12/2016

## LISEZ TOUTES LES INSTRUCTIONS !



LISEZ LE MANUEL D'UTILISATION

FR

**⚠ Risques résiduels!** Les personnes portant des appareils électroniques, par exemple des stimulateurs cardiaques, doivent consulter leur(s) médecin(s) avant d'utiliser ce produit. L'utilisation d'un équipement électrique près d'un stimulateur cardiaque peut provoquer des interférences ou la panne du stimulateur cardiaque.

**⚠ AVERTISSEMENT:** Pour garantir la sécurité et la fiabilité, toutes les réparations doivent être effectuées par un réparateur qualifié.

## SYMBOLES DE SÉCURITÉ

L'objectif des symboles de sécurité est d'attirer votre attention sur des dangers potentiels. Les symboles de sécurité et les explications les accompagnant doivent être lus avec attention et compris. Les symboles de mise en garde ne permettent pas par eux-mêmes d'éliminer les dangers. Les consignes et mises en garde ne se substituent pas à des mesures de prévention appropriées des accidents.

**⚠ AVERTISSEMENT :** Lisez et comprenez impérativement toutes les consignes de sécurité de ce manuel d'utilisation, y compris les symboles de mise en garde de sécurité tels que « **DANGER** », « **AVERTISSEMENT** » et « **ATTENTION** » avant d'utiliser cet outil. Ne pas respecter toutes les consignes listées ci-après peut provoquer un choc électrique, un incendie et/ou des blessures corporelles graves.

## SIGNIFICATION DES SYMBOLES

**⚠ SYMBOLE DE MISE EN GARDE DE SÉCURITÉ :** Indique un **DANGER**, un **AVERTISSEMENT** ou une **PRÉCAUTION**. Peut être utilisé en conjonction d'autres symboles ou pictogrammes.



**⚠ AVERTISSEMENT:** L'utilisation d'un outil électrique peut provoquer la projection d'objets étrangers dans vos yeux, ce qui peut provoquer des lésions oculaires graves. Avant de mettre un outil électrique en marche, portez toujours un masque de sécurité ou des lunettes de sécurité avec boucliers latéraux, ou un masque facial intégral quand cela est nécessaire. Nous vous recommandons de porter un Masque de

Sécurité à Vision Panoramique par-dessus des lunettes de vue ou des lunettes de sécurité standards avec boucliers latéraux.

## CONSIGNES DE SÉCURITÉ

Cette page décrit des symboles de sécurité pouvant être présents sur le produit. Lisez, comprenez et respectez toutes les instructions présentes sur l'outil avant d'essayer de l'assembler et de l'utiliser.

	Alerte de sécurité	Indique un danger potentiel de blessure corporelle.
	Lire le manuel d'utilisation	Pour réduire le risque de blessures, l'utilisateur doit lire et comprendre le manuel d'utilisation avant d'utiliser ce produit.
	Porter une protection oculaire	Toujours porter un masque de sécurité ou des lunettes de sécurité avec boucliers latéraux et un masque facial intégral lors de l'utilisation de ce produit.
	CE	Ce produit est conforme aux directives CE applicables.
	WEEE	Les déchets de produits électriques ne doit pas être jetés avec les ordures ménagères. Jetez-les dans un dans un centre de triage agréé.
	Ne pas exposer à la pluie	Construction à double isolation.
V	Volt	Tension
mm	Millimètre	Longueur ou taille
cm	Centimètre	Longueur ou taille
in.	Pouce	Longueur ou taille
kg	Kilogramme	Poids
lb	Livre	Poids
	Courant continu	Type ou caractéristique du courant



## CONSIGNES DE SÉCURITÉ GÉNÉRALES POUR LES OUTILS ÉLECTRIQUES

**⚠ AVERTISSEMENT:** Lisez tous les avertissements de sécurité et toutes les instructions. Le non-respect des avertissements et des instructions peut entraîner un choc électrique, un incendie et/ou des blessures graves.

**Conservez tous les avertissements et toutes les instructions afin de pouvoir les consulter ultérieurement.**

Le terme « outil électrique » utilisé dans les consignes de sécurité désigne votre outil électrique fonctionnant sur le secteur (filaire) ou sur batterie (sans fil).

### SÉCURITÉ DE L'AIRE DE TRAVAIL

- **Maintenez l'aire de travail propre et bien rangée.** Les aires de travail en désordre ou mal éclairées augmentent les risques d'accident.
- **Ne faites pas fonctionner d'outil électrique dans un environnement explosif,** par exemple en présence de poussière, d'essence ou de liquides inflammables. Les outils électriques génèrent des étincelles pouvant enflammer poussières et vapeurs.
- **Veillez à ce que les enfants et les autres personnes restent éloignés quand vous utilisez un outil électrique.** Un moment d'inattention peut vous faire perdre le contrôle de l'outil.

### SÉCURITÉ ÉLECTRIQUE

- **La fiche de l'outil électrique doit correspondre à la prise électrique. Ne modifiez jamais la fiche de quelque manière que ce soit. N'utilisez jamais d'adaptateur de prise avec les outils électriques pourvus d'une mise à la terre ou à la masse.** Les fiches non modifiées et les prises électriques appropriées réduisent le risque de choc électrique.
- **Évitez tout contact physique avec des surfaces mises à la terre ou à la masse, par exemple des tuyaux, radiateurs, fours et réfrigérateurs.** Il y a un risque accru de choc électrique si votre corps est relié à la terre ou à la masse, directement ou indirectement.
- **N'exposez pas les outils électriques à la pluie ou à un environnement mouillé.** Si de l'eau pénètre dans un outil électrique, cela accroît le risque de choc électrique.
- **Ne maltraitez pas le cordon d'alimentation. Ne l'utilisez jamais pour porter, tirer ou débrancher l'outil électrique. Veillez à ce qu'il n'entre jamais en contact avec de l'huile, des pièces mobiles, des arêtes tranchantes, et ne soit jamais exposé à de la chaleur.** Les cordons d'alimentation endommagés ou emmêlés augmentent le risque de choc électrique.

- **Quand vous utilisez un outil électrique en extérieur, utilisez une rallonge électrique adaptée à un usage en extérieur.** L'utilisation d'une rallonge conçue pour un usage en extérieur permet de réduire le risque de choc électrique.
- **S'il est impossible d'éviter d'utiliser un appareil électrique dans un endroit humide, recourez à une alimentation protégée par un disjoncteur différentiel.** L'utilisation d'un disjoncteur différentiel réduit les risques de choc électrique.

FR

### SÉCURITÉ DES PERSONNES

- **Restez vigilant, soyez attentif à ce que vous faites et faites preuve de bon sens lors de l'utilisation d'un outil électrique. N'utilisez pas d'outil électrique si vous êtes fatigué ou sous l'influence de drogues, d'alcool ou de médicaments.** Un moment d'inattention pendant l'utilisation d'un outil électrique peut provoquer des blessures corporelles graves.
- **Utilisez des équipements de protection individuelle. Portez toujours une protection oculaire.** L'utilisation d'équipements de protection appropriés aux conditions de travail, tels que masque antipoussières, chaussures de sécurité antidérapantes, casque et protections auditives, permet de réduire les risques de blessures corporelles.
- **Évitez les démarrages accidentels. Vérifiez que l'interrupteur marche/arrêt est sur la position arrêt avant de brancher l'outil dans une prise électrique et/ou une batterie, de le saisir ou de le transporter.** Transporter un outil électrique les doigts sur son interrupteur ou le brancher dans une alimentation électrique alors que son interrupteur est sur la position marche favorise les accidents.
- **Retirez les clés de réglage et de serrage avant de mettre l'outil en marche.** Une clé de réglage ou de serrage laissée sur une pièce rotative de l'outil électrique peut provoquer des blessures corporelles.
- **N'essayez pas d'atteindre des endroits difficiles à atteindre. Ayez toujours des appuis des pieds solides et conservez constamment un bon équilibre.** Cela vous garantit un meilleur contrôle de l'outil électrique en cas de situations inattendues.
- **Portez une tenue appropriée. Ne portez pas de vêtement ample ni de bijou. Maintenez vos cheveux, vêtements et gants éloignés des pièces mobiles.** Les vêtements amples, les bijoux et les cheveux longs peuvent se prendre dans les pièces mobiles.
- **Si un outil est conçu pour être utilisé avec des dispositifs d'extraction et de récupération des poussières, veillez à ce que ces dispositifs soient raccordés et correctement utilisés.** L'utilisation de dispositifs de récupération des poussières permet de réduire les dangers liés aux poussières.

## UTILISATION ET ENTRETIEN DES OUTILS ÉLECTRIQUES

FR

- **Ne forcez pas l'outil électrique. Utilisez l'outil électrique adapté au travail à effectuer.** L'outil électrique adéquat vous permettra de mieux accomplir le travail avec plus de sécurité et au rythme pour lequel il a été conçu.
- **N'utilisez pas un outil électrique si son interrupteur marche/arrêt ne permet plus de l'allumer ou de l'éteindre.** Tout outil électrique qui ne peut pas être contrôlé par son interrupteur marche/arrêt est dangereux et doit être réparé.
- **Débranchez la fiche électrique de la prise secteur et/ou retirez la batterie de l'outil électrique avant de procéder à des réglages, de changer des accessoires ou de ranger l'outil électrique.** Cette mesure de sécurité préventive réduit le risque de démarrage accidentel de l'outil électrique.
- **Rangez les outils électriques non utilisés hors de portée des enfants. Ne laissez aucune personne non familiarisée avec l'outil électrique ou ce manuel d'utilisation l'utiliser.** Les outils électriques sont dangereux dans les mains de personnes inexpérimentées.
- **Entretenez les outils électriques. Vérifiez l'alignement des pièces mobiles, leur fixation et leur état. Repérez tout autre problème pouvant nuire au fonctionnement de l'outil électrique. Si un outil électrique est endommagé, il doit être réparé avant d'être utilisé.** Beaucoup d'accidents sont dus à des outils électriques mal entretenus.
- **Veillez à ce que les accessoires de coupe restent affûtés et propres.** Des outils de découpe aux lames affûtées risquent moins de s'accrocher et sont plus faciles à contrôler.
- **Utilisez l'outil électrique, les accessoires, les mèches, etc. conformément à ces instructions, en tenant compte des conditions de travail et de la tâche à accomplir.** Utiliser l'outil électrique à d'autres finalités que celles pour lesquelles il a été conçu peut engendrer des situations dangereuses.
- **Cet ensemble moteur 56V PH1400E ne peut être utilisé qu'avec les accessoires EGO suivants:**

TYPE D'ACCESSOIRE	NUMÉRO DE MODÈLE
Coupe-bordures	EA0800
Débroussailluse	BCA1200
Taille-bordure	STA1500
Scie à rallonge	PSA1000
Taille-haie à rallonge	HTA2000

## UTILISATION ET ENTRETIEN DES OUTILS ALIMENTÉS PAR BATTERIE

- **La batterie ne doit être rechargée qu'avec le chargeur spécifié par le fabricant.** Un chargeur adapté à un type de batterie peut présenter un risque d'incendie s'il est utilisé avec une batterie différente.
- **Utilisez les outils électriques exclusivement avec les batteries spécifiées listées ci-dessous.** L'utilisation de toute autre batterie peut créer un risque de blessures et d'incendie.

BATTERIE	CHARGEUR
BA1120E, BA2240E, BA2800, BA3360, BA4200 (BA3360 et BA4200 ne sont pas applicables quand le produit est équipé de l'accessoire pour débroussailluse.)	CH5500E, CH2100E

- **Quand la batterie n'est pas utilisée, elle doit être rangée loin de tout objet métallique, tel que trombone, pièce de monnaie, clé, clou, vis et tout autre petit objet métallique qui risquerait de mettre en contact ses bornes.** Court-circuiter les bornes de la batterie peut provoquer des brûlures et un incendie.
- **Si la batterie est soumise à des conditions d'utilisation excessives, du liquide peut s'en échapper. Évitez tout contact avec ce liquide. En cas de contact accidentel, rincez à grande eau. En cas de contact avec les yeux, vous devez en outre consulter un médecin.** Le liquide qui s'échappe de la batterie peut provoquer des irritations et des brûlures.

## RÉPARATION

- **Faites réparer votre outil électrique par un réparateur qualifié qui ne doit utiliser que des pièces de rechange identiques.** Cela permet de préserver la sécurité d'utilisation de l'outil.
- Si des situations non couvertes par ce manuel se produisent, faites preuve de prudence et de bon sens. Contactez le centre de réparation EGO pour lui demander conseil.

## CONSERVEZ CE MANUEL D'UTILISATION!

**DES MESURES DE SÉCURITÉ SUPPLÉMENTAIRES PEUVENT ÊTRE TROUVÉES DANS LE MANUEL D'UTILISATION DE L'ACCESSOIRE EN QUESTION**

## SPÉCIFICATIONS

Tension	56 V ---
Poids (sans la batterie)	2,73 kg

## CONTENU DE L'EMBALLAGE

NOM DE PIÈCE	QUANTITÉ
Ensemble moteur	1
Poignée auxiliaire avant réglable	1
Sangle d'épaule	1
Manuel d'utilisation	1

## DESCRIPTION

DESCRIPTION DE VOTRE ENSEMBLE MOTEUR (Image A)

- Sortie d'air
- Entrée d'air
- Poignée arrière
- Bouton de blocage
- Interrupteur vitesse élevée/faible
- Anneau seuil
- Poignée auxiliaire avant réglable
- Coupleur
- Bouton de libération de l'arbre
- Bouton papillon
- Barre de barrière
- Interrupteur-gâchette
- Bouton de déblocage de la batterie
- Protection en caoutchouc
- Loquet
- Contacts électriques
- Mécanisme d'éjection
- Sangle d'épaule

## ASSEMBLAGE

**⚠ AVERTISSEMENT :** Si une pièce est manquante ou endommagée, n'utilisez pas cet outil tant qu'elle n'a pas été remplacée. Utiliser cet outil avec des pièces endommagées ou manquantes peut provoquer des blessures corporelles graves.

**⚠ AVERTISSEMENT:** Toujours retirer la batterie du produit avant d'assembler des pièces, d'effectuer une opération de réglage ou de nettoyage, et lorsque vous n'utilisez pas le produit.

### INSTALLER UN ACCESSOIRE SUR L'ENSEMBLE MOTEUR

**⚠ AVERTISSEMENT:** Lisez et prenez en compte l'intégralité des instructions d'utilisation de chaque accessoire optionnel de cet ensemble moteur et suivez les avertissements et mesures de sécurité. Ne pas respecter toutes les instructions pourrait provoquer un choc électrique, un incendie et/ou des blessures corporelles graves.

**⚠ AVERTISSEMENT:** Cet ensemble moteur 56V PH1400E est conçu pour être utilisé uniquement avec des modèles d'accessoire EGO qui sont spécifiés dans ce manuel d'utilisation ou seront présentés par EGO comme pouvant être utilisés avec cet ensemble moteur. L'utilisation d'autre accessoires non autorisés pourrait causer de sérieuses blessures corporelles ou des dégâts matériels.

**⚠ AVERTISSEMENT:** Ne jamais installer, déplacer ou régler un accessoire pendant que l'ensemble moteur fonctionne ou que la batterie est installée. Ne pas arrêter le moteur ou retirer la batterie peut entraîner de sérieuses blessures corporelles. **NE JAMAIS FAIRE FONCTIONNER L'ENSEMBLE MOTEUR SANS ACCESSOIRE.**

L'accessoire se connecte à l'ensemble moteur grâce à un coupleur.

- Arrêtez le moteur et retirez la batterie.
- Desserrez le bouton papillon.
- Retirez le bouchon d'extrémité de l'accessoire. Alignez la flèche qui se trouve sur l'arbre de l'accessoire avec la flèche sur le coupleur et poussez l'arbre de l'accessoire dans le coupleur jusqu'à entendre un « clic » qui indique que l'arbre de l'accessoire est en place (img. B).

Image B Description des pièces, voir ci-dessous :

B-1	Arbre de l'accessoire
B-2	Flèche sur l'arbre de l'accessoire
B-3	Bouton papillon
B-4	Flèche sur le coupleur
B-5	Bouton de libération de l'arbre
B-6	Arbre de l'ensemble moteur

- Tirez l'arbre de l'accessoire pour vérifier qu'il est solidement verrouillé dans le coupleur. Si ce n'est pas le cas, faites pivoter l'arbre de l'accessoire d'un côté à l'autre du coupleur jusqu'à ce qu'il soit en place.
- Serrez le bouton papillon fermement.

**⚠ AVERTISSEMENT:** Assurez-vous que le bouton papillon soit complètement serré avant de faire fonctionner l'équipement, vérifiez régulièrement qu'il est bien serré pendant l'utilisation pour éviter des blessures corporelles.

## RETIRER L'ACCESSOIRE DE L'ENSEMBLE MOTEUR

1. Arrêtez le moteur et retirez la batterie.
2. Desserrez le bouton papillon.
3. Appuyez sur le bouton de libération de l'arbre. Avec le bouton enclenché, tirez ou tournez l'accessoire pour le sortir du coupleur.

## INSTALLATION ET RÉGLAGE DE LA POIGNÉE DE MANŒUVRE AVANT

1. Arrêtez le moteur et retirez la batterie, si installée.
2. Desserrez l'écrou à oreilles pour séparer la poignée de manœuvre avant réglage (Img. C).

Image C Description des pièces, voir ci-dessous :

C-1	Tige de verrouillage
C-2	Bloc de serrage
C-3	Poignée de manœuvre avant avec barre de barrière
C-4	Écrou à oreilles

3. Poussez la poignée de manœuvre avant sur l'arbre entre l'anneau seuil et le coupleur (Img. D).
4. Insérez le bloc de serrage dans l'emplacement de la poignée (Img. E).
5. Fixez la tige de verrouillage, et pré-serrez-les avec l'écrou à oreilles. Assurez-vous que la poignée de manœuvre avant est vers le haut et pointe vers le sommet de la poignée arrière (Img. F).
6. Réglez la poignée de manœuvre avant entre l'anneau seuil et le coupleur afin de vous assurer que votre avant-bras est droit pendant le fonctionnement (Img. G), puis verrouillez le levier de la tige de verrouillage (Img. H).

Image G Description des pièces, voir ci-dessous :

G-1	Flèche	G-2	Plage Limite
-----	--------	-----	--------------

7. Puis verrouillez le levier de la tige de verrouillage (Img. H).

**⚠ AVERTISSEMENT:** N'utilisez jamais l'outil sans que la poignée de manœuvre avant soit solidement assemblée.

**⚠ AVERTISSEMENT:** Fixez seulement la poignée de manœuvre avant entre l'anneau seuil et le coupleur.

## ATTACHER LA SANGLE D'ÉPAULE

Appuyez sur le crochet de la sangle pour l'ouvrir et attachez-le à la boucle d'accrochage de la sangle d'épaule du bloc moteur (Image I).

## UTILISATION

**⚠ AVERTISSEMENT :** Veillez à ne pas devenir moins prudent au fur et à mesure que vous vous familiarisez avec cet outil. Gardez à l'esprit qu'une seconde d'inattention peut suffire pour provoquer des blessures graves.

**⚠ AVERTISSEMENT:** Portez toujours une protection oculaire. Sans ce type de protection, des objets peuvent être projetés dans vos yeux et d'autres blessures graves peuvent se produire.

**⚠ AVERTISSEMENT:** N'utilisez aucun accessoire ou pièce non recommandé par le fabricant de ce produit. L'utilisation d'accessoires ou de pièces non recommandés peut provoquer de graves blessures corporelles.

**⚠ AVERTISSEMENT: NE JAMAIS FAIRE FONCTIONNER L'ENSEMBLE MOTEUR SANS ACCESSOIRE.**

## INSTALLER/RETIRER LA BATTERIE

**REMARQUE :** Rechargez la batterie au maximum avant de l'utiliser pour la première fois.

### Installation

Alignez les arêtes de la batterie avec les rainures d'assemblage et appuyez la batterie vers le bas jusqu'à entendre un déclic (Img. J).

Image J Description des pièces, voir ci-dessous :

J-1	Fente de montage
J-2	Nervure

### Retrait

Appuyez sur le bouton de déblocage de la batterie et tirez la batterie hors de l'outil (Img. K).

**⚠ AVERTISSEMENT:** Pour éviter de sérieuses blessures corporelles, retirez toujours la batterie et gardez les mains à l'écart du bouton de déverrouillage et de l'interrupteur-gâchette lorsque vous transportez l'outil.

## DÉMARRER/ARRÊTER L'ENSEMBLE MOTEUR (Img. L)

### Allumer l'outil

Appuyez sur le bouton de déverrouillage et maintenez-le dans cette position. Appuyez sur l'interrupteur-gâchette pour allumer l'ensemble moteur. Différents niveaux de pression sur la gâchette produisent différentes vitesses de rotation de l'ensemble moteur. Plus vous appuyez, plus la vitesse est rapide.

### Arrêter l'outil

Relâchez l'interrupteur-gâchette.

**REMARQUE:** Le moteur ne marche que lorsque le levier de déverrouillage et la gâchette sont tous les deux appuyés.

### Fonction de réglage de la vitesse (Img. L)

L'ensemble moteur possède deux vitesses. La position « 1 » correspond à une vitesse faible, tandis que la position « 2 » correspond à une vitesse élevée. Poussez ou tirez l'interrupteur de vitesse faible/élevée pour choisir la vitesse adéquate pendant le fonctionnement.

Image L Description des pièces, voir ci-dessous :

L-1	Interrupteur de vitesse faible/élevée
L-2	Bouton de déverrouillage
L-3	Interrupteur-gâchette

## ENTRETIEN

**⚠ AVERTISSEMENT:** Avant d'inspecter, de nettoyer ou de réparer l'unité, arrêtez le moteur, attendez que toutes les parties mobiles soient à l'arrêt, et retirez la batterie. Ne pas observer ces instructions peut conduire à de sérieuses blessures corporelles ou des dégâts matériels.

**⚠ AVERTISSEMENT:** L'outil ne doit être réparé qu'avec des pièces de rechange identique. Inspectez et entreprenez l'outil régulièrement. Pour garantir la sécurité et la fiabilité, toutes les réparations doivent être effectuées par un réparateur qualifié.

**REMARQUE:** Avant chaque utilisation, inspectez entièrement l'outil pour vérifier qu'aucune pièce n'est endommagée, manquante ou desserrée, par exemple les vis, écrous, boulons, capuchons, etc. Resserrez fermement toutes les fixations et fixez solidement tous les capuchons. N'utilisez pas ce produit tant que toutes les pièces manquantes ou endommagées n'ont pas été remplacées. Veuillez contacter notre service client ou un technicien qualifié;

### ENTRETIEN GÉNÉRAL

N'utilisez pas de solvant pour nettoyer les pièces en plastique. La plupart des plastiques peuvent être détériorés par de nombreux solvants différents vendus dans le commerce. Utilisez des chiffons propres pour enlever les saletés, les poussières, l'huile, la graisse, etc.

### NETTOYER L'ENSEMBLE MOTEUR

1. Arrêtez le moteur et retirez la batterie.
2. Nettoyez la saleté et les débris de l'ensemble moteur en utilisant un chiffon humide et un détergent doux.

**REMARQUE:** N'utilisez pas de détergent puissant sur le boîtier en plastique ou sur la poignée. Ils peuvent être endommagés par certaines huiles aromatiques comme le pin et le citron.

### RANGER L'ENSEMBLE MOTEUR

1. Retirez la batterie de l'ensemble moteur avant de le ranger.
2. Nettoyez toutes les matières étrangères de l'ensemble moteur.
3. Rangez l'outil dans un endroit inaccessible aux enfants.
4. Veillez à ce qu'il reste éloigné des produits corrosifs, par exemple les produits chimiques de jardinage et les sels de déverglacage.

### Protection de l'environnement



Ne jetez pas les équipements électriques, les chargeurs de batterie, les batteries rechargeables et les piles avec les ordures ménagères !

Conformément à la directive européenne 2012/19/UE, les équipements électriques et électroniques qui ne sont plus utilisables, et conformément à la directive européenne 2006/66/CE, les batteries rechargeables et les piles usagées ou défectueuses doivent être collectés séparément.

Si les appareils électriques sont jetés dans des décharges ou des dépôts d'ordures, des substances dangereuses peuvent s'infiltrer jusque dans la nappe phréatique et entrer dans la chaîne alimentaire, avec un effet néfaste sur votre santé et votre bien-être.

## DÉPANNAGE

Voir le manuel d'utilisation de l'accessoire en question.

## GARANTIE

### POLITIQUE DE GARANTIE EGO

Veuillez consulter le site [egopowerplus.com](http://egopowerplus.com) pour trouver l'ensemble des modalités et conditions de la politique de garantie EGO

01/12/2016

FR

## ¡LEA TODAS LAS INSTRUCCIONES!



LEA EL MANUAL DEL USUARIO

ES

**⚠ ¡Riesgo residual!** Aquellas personas con implantes electrónicos, tales como marcapasos, deberán consultar a su médico antes de utilizar este producto. La utilización de equipos eléctricos a proximidad de un marcapasos podría causar en este interferencias o averías.

**⚠ ADVERTENCIA:** Para garantizar la seguridad y fiabilidad de la herramienta, confíe cualquier reparación y sustitución de piezas que sea necesaria a personal técnico cualificado.

## SÍMBOLOS RELACIONADOS CON LA SEGURIDAD

El propósito de los símbolos de seguridad es el de atraer su atención hacia los posibles peligros que conlleva la utilización del producto. Los símbolos de seguridad y las explicaciones que los acompañan requieren su máxima atención y comprensión. Por sí solos, los símbolos de advertencia no eliminan los posibles peligros que pudieran existir. Las instrucciones y advertencias que aquí se incluyen no son sustitutas en modo alguno de las medidas de prevención adecuadas que deben tomarse para evitar posibles accidentes.

**⚠ ADVERTENCIA:** Antes de utilizar esta herramienta, asegúrese de haber leído y entendido perfectamente todas las instrucciones incluidas en este Manual del usuario, incluidos todos los símbolos de aviso sobre seguridad, tales como **PELIGRO**, **ADVERTENCIA** y **PRECAUCIÓN**. De no observarse todas las instrucciones proporcionadas a continuación podría existir un riesgo de incendio, electrocución, así como de lesiones físicas graves.

## SIGNIFICADO DE LOS DISTINTOS SÍMBOLOS

**⚠ SÍMBOLO DE AVISO DE SEGURIDAD:** señala algún tipo de **PELIGRO**, **ADVERTENCIA** o **PRECAUCIÓN** a tener en cuenta. Este símbolo podrá utilizarse de manera conjunta con otros símbolos o pictogramas.



**⚠ ADVERTENCIA:** Es posible que, cuando se utilizan herramientas eléctricas, salgan despedidos objetos que podrían causar lesiones oculares severas si no se utiliza equipo de protección personal adecuado. Antes de empezar a usar herramientas eléctricas, póngase siempre gafas de seguridad, gafas con cristales anti-impacto que cuenten con pantallas de protección lateral, o bien una máscara facial que proteja completamente la cara. Recomendamos la utilización de máscaras de seguridad de amplia visión que pueden utilizarse encima de gafas graduadas, o bien gafas normales de seguridad equipadas con pantallas laterales.

## INSTRUCCIONES RELACIONADAS CON LA SEGURIDAD

Esta página muestra y describe los símbolos de seguridad que puede haber en este producto. Asegúrese de leer, entender perfectamente y observar todas las instrucciones estampadas o proporcionadas con el producto antes de proceder a su montaje y utilización.

	Aviso de seguridad	Indica una situación potencialmente peligrosa que podría dar lugar a lesiones personales.
	Leer el Manual del usuario	Para reducir en lo posible el riesgo de lesiones, será necesario leer y entender perfectamente el Manual del usuario antes de proceder a utilizar este producto.
	Utilizar protección ocular	Utilice siempre utilice gafas de seguridad, gafas con cristales anti-impacto que cuenten con pantallas de protección lateral, o bien una máscara facial que proteja completamente la cara cuando se sirva de este producto.
	CE	Este producto está en conformidad con las directivas de la CE aplicables.
	RAEE	Los residuos eléctricos no deberán ser desechados con el resto de la basura doméstica. Lívelos a un punto limpio autorizado.

	No exponga la herramienta a la lluvia	Carcasa con doble aislamiento.
V	Voltios	Tensión
mm	Milímetro	Longitud o tamaño
cm	Centímetro	Longitud o tamaño
in.	Pulgada	Longitud o tamaño
kg	Kilogramo	Peso
lb	Libra	Peso
	Corriente continua	Tipo o característica de la corriente

### ADVERTENCIAS DE SEGURIDAD GENERAL PARA HERRAMIENTAS ELÉCTRICAS

**⚠ ADVERTENCIA:** Lea todas las instrucciones y advertencias relacionadas con la seguridad que se indican a continuación. La no observación de las instrucciones y advertencias de seguridad, podría tener como resultado un riesgo de incendio, electrocución y/o lesiones físicas graves.

**Conserve todas las instrucciones y advertencias para futuras consultas.**

El término “herramientas eléctricas” que aparece en las advertencias se refiere tanto a aquellas herramientas que funcionan conectadas a la red eléctrica (mediante cable) como a aquellas otras que funcionan con baterías (inalámbricas).

### SEGURIDAD EN LA ZONA DE TRABAJO

- **Mantenga la zona de trabajo limpia y bien iluminada.** Aquellas áreas desordenadas o insuficientemente iluminadas son más propensas a accidentes.
- **No utilice herramientas eléctricas en entornos explosivos: por ejemplo, en presencia de líquidos, gasolina o polvo inflamables.** Las herramientas eléctricas generan chispas que podrían actuar como detonante de vapores y partículas de polvo inflamables.
- **Mantenga a niños y demás personas a una distancia prudente mientras utiliza herramientas eléctricas.** Cualquier distracción podría hacerle perder el control de la herramienta.

### PAUTAS DE SEGURIDAD ELÉCTRICA

- **Los enchufes de las herramientas eléctricas deberán coincidir con el tipo de toma de corriente donde vayan a conectarse. No modifique nunca el enchufe en modo alguno. No utilice nunca enchufes adaptadores o ladrones de corriente con herramientas eléctricas equipadas con conexión a tierra.** Unos enchufes sin modificar y que coincidan perfectamente con sus correspondientes tomas de corriente reducirán los riesgos de electrocución.
- **Evite el contacto corporal con superficies conductoras o con conexión a tierra, tales como tuberías, radiadores, hornillas eléctricas o frigoríficos.** Existe un mayor riesgo de sufrir una electrocución si su cuerpo hace de conductor a tierra.
- **No exponga las herramientas eléctricas a la acción de la lluvia ni a entornos húmedos.** La penetración de agua en una herramienta eléctrica aumentará el riesgo de electrocución.
- **No maltrate el cable de alimentación. No utilice nunca el cable para transportar, arrastrar, o desenchar la herramienta eléctrica.** Mantenga el cable apartado de fuentes de calor, aceites, cantos afilados o elementos móviles. Unos cables dañados o enredados aumentan el riesgo de electrocución.
- **Cuando utilice una herramienta eléctrica al aire libre, utilice un alargador de corriente adecuado para uso en exteriores.** La utilización de un cable apropiado para uso en exteriores reducirá el riesgo de electrocución.
- **De no poderse evitar la utilización de una herramienta eléctrica en un entorno húmedo, asegúrese de conectarla a una instalación eléctrica equipada con un interruptor de protección diferencial.** La utilización de un interruptor de protección diferencial reducirá el riesgo de electrocución.

### SEGURIDAD PERSONAL

- **Manténgase alerta, concéntrese en lo que esté haciendo y utilice siempre su sentido común cuando se sirva de herramientas eléctricas. No utilice herramientas eléctricas si está cansado o se encuentra bajo los efectos de estupefacientes, alcohol o fármacos.** Cualquier momento de descuido durante la utilización de herramientas eléctricas podría dar lugar a lesiones físicas graves.
- **Utilice equipo de protección personal. Utilice siempre protección ocular.** La utilización de equipos de protección tales como mascarillas antipolvo, calzado de seguridad antideslizante, cascos de seguridad o protección auditiva en las circunstancias que así lo requieran reducirá el riesgo de lesiones físicas.

- Procure evitar la activación fortuita de la herramienta. Asegúrese de que el interruptor de encendido se encuentra en la posición de apagado antes de enchufar la herramienta a la red eléctrica y/o de acoplar el pack de la batería, así como al recoger o transportar la herramienta. El hecho de transportar herramientas eléctricas con el dedo apoyado en el gatillo o interruptor de activación, o bien de enchufarlas a una toma de corriente o acoplar su batería mientras su interruptor está en la posición de encendido es propicio a causar accidentes.
- Retire cualquier llave o útil de ajuste antes de poner en marcha la herramienta. Cualquier llave o útil sujeto a un elemento rotativo de la herramienta eléctrica podría ocasionar lesiones físicas.
- No se estire demasiado para alcanzar lugares de difícil acceso. Mantenga en todo momento un buen equilibrio y los pies firmemente apoyados en el suelo. De esta manera, tendrá un mejor control de la herramienta eléctrica en caso de producirse alguna situación inesperada.
- Utilice ropa adecuada. No lleve puesta ropa holgada ni joyas. Mantenga cabellos, ropa y guantes a una distancia prudente de los elementos móviles de la herramienta. La ropa holgada, así como las joyas o el pelo largo podrían engancharse en las partes móviles de la herramienta.
- De suministrarse dispositivos de conexión a extractores y colectores de polvo, asegúrese de conectarlos y utilizarlos de la manera adecuada. La utilización de dispositivos colectores de polvo podrá reducir notablemente los peligros ocasionados por el polvo.
- Almacene las herramientas eléctricas apagadas fuera del alcance de niños y no permita en ningún momento que aquellas personas que no estén lo suficientemente familiarizadas con estas instrucciones o este tipo de herramientas las utilicen. Las herramientas eléctricas son extremadamente peligrosas en manos de aquellas personas que no cuentan con la debida formación o experiencia para su uso.
- Lleve a cabo el mantenimiento que sea necesario en sus herramientas eléctricas. Examine las herramientas eléctricas por si alguno de sus elementos móviles estuviera desalineado o doblado, y verifique también que no haya piezas rotas ni se observe ninguna otra condición que pudiera comprometer su funcionamiento correcto. De observarse cualquier tipo de daño, asegúrese de llevar a reparar la herramienta eléctrica antes de utilizarla. Numerosos accidentes se producen como consecuencia de un mantenimiento deficiente de las herramientas eléctricas.
- Mantenga las herramientas de corte limpias y afiladas. El cuidado apropiado de las herramientas de corte, manteniendo sus bordes afilados, las hará menos propensas a atascarse o trabarse y le permitirá controlarlas con mayor facilidad.
- Utilice la herramienta eléctrica, así como sus accesorios, brocas, puntas de destornillador, etc., conforme a lo indicado en estas instrucciones y teniendo siempre en cuenta las condiciones de trabajo, así como la tarea a efectuar. La utilización de herramientas eléctricas para propósitos distintos a aquellos para los que han sido diseñadas podría suponer un peligro.
- Este conjunto de motor eléctrico PH1400E de 56 V podrá utilizarse únicamente con los siguientes accesorios de EGO:

## UTILIZACIÓN Y CUIDADO DE LAS HERRAMIENTAS ELÉCTRICAS

- No fuerce las herramientas eléctricas. Utilice la herramienta eléctrica apropiada para el trabajo que vaya a realizar. La utilización de la herramienta correcta a la velocidad de funcionamiento para la que ha sido diseñada le ayudará a efectuar el trabajo de manera más fácil y segura.
- No utilice ninguna herramienta eléctrica cuyo interruptor de encendido/apagado no funcione como es debido. Cualquier herramienta que no pueda controlarse mediante su interruptor, supondrá un peligro y deberá repararse antes de poder utilizarse.
- Asegúrese siempre de retirar el enchufe de la toma de corriente y/o el pack de batería de las herramientas eléctricas antes de ajustarlas, cambiar sus accesorios o guardarlas. Estas medidas preventivas de seguridad reducirán enormemente el riesgo de que la herramienta pueda activarse de manera fortuita.

TIPO DE ACCESORIO	N.º DE MODELO:
Cortabordes	EA0800
Desbrozadora de cuchilla	BCA1200
Desbrozadora de hilo	STA1500
Podadora	PSA1000
Cortasetos de tubo	HTA2000



## UTILIZACIÓN Y CUIDADO DE LA BATERÍA DE LA HERRAMIENTA

- **Recargue la herramienta utilizando únicamente el cargador especificado por el fabricante.** Un cargador adecuado para cierto tipo de pack de batería podría suponer un riesgo de incendio si se utiliza con un pack de batería distinto.
- **Utilice únicamente las herramientas eléctricas con los packs de batería específicamente diseñados que se presentan a continuación.** La utilización de packs de batería distintos podría suponer un riesgo de lesiones físicas e incendio.

ACUMULADOR	CARGADOR
BA1120E, BA2240E, BA2800, BA3360, BA44200 (BA3360 y BA4200 no se aplican cuando está equipado con la herramienta desbrozadora)	CH5500E, CH2100E

- **Cuando no se esté utilizando el pack de batería, manténgalo apartado de objetos metálicos tales como clips para papeles, monedas, llaves, clavos, tornillos, o de cualquier otro objeto metálico pequeño que pudiera provocar un cortocircuito en sus terminales de corriente.** De cortocircuitarse los terminales de la batería, podrían producirse quemaduras o incendios.
- **En condiciones de uso intensivo, es posible que se produzca una fuga de ácido de la batería. Evite cualquier contacto con dicho electrolito. De producirse cualquier contacto accidental, enjuague la zona corporal afectada con abundante agua. Si el electrolito llegara a penetrar en los ojos, deberá solicitarse atención médica urgente.** El ácido emanado de la batería podría causar irritación o quemaduras cutáneas.

## MANTENIMIENTO

- **Asegúrese de que las reparaciones que deban efectuarse en su herramienta las lleve a cabo personal técnico cualificado utilizando únicamente piezas de recambio idénticas a las originales.** Solamente así podrá garantizarse la seguridad de uso de las herramientas eléctricas.
- De darse alguna situación que no estuviera cubierta en este manual, asegúrese de actuar con cuidado y buen juicio. Póngase en contacto con el departamento de atención al cliente de EGO en caso de que necesite asistencia al respecto.

**CONSERVE ESTAS INSTRUCCIONES EN UN LUGAR SEGURO!**

**EN EL MANUAL DEL USUARIO DEL ACCESORIO APLICABLE PODRÁN ENCONTRARSE REGLAS DE SEGURIDAD ESPECÍFICAS ADICIONALES**

## ESPECIFICACIONES

Tensión	56 V ---
Peso (sin acumulador)	2,73 kg

## LISTA DE EMBALAJE

DENOMINACIÓN DE PIEZA	CANTIDAD
Conjunto de motor	1
Empuñadura auxiliar delantera ajustable	1
Correa bandolera	1
Manual de instrucciones	1

ES

## DESCRIPCIÓN

### FAMILIARÍCESE CON SU CONJUNTO DE MOTOR (Fig. A)

1. Salida de aire
2. Entrada de aire
3. Empuñadura trasera
4. Botón de desbloqueo del interruptor
5. Conmutador de alta/baja velocidad
6. Abrazadera de tope
7. Empuñadura auxiliar delantera ajustable
8. Acoplador
9. Botón de liberación del eje
10. Mando de mariposa
11. Barra de barrera
12. Gatillo interruptor
13. Botón de liberación del acumulador
14. Protección de almohadilla de goma
15. Seguro
16. Contactos eléctricos
17. Mecanismo de expulsión
18. Correa para los hombros (accesorio especial)

## CONJUNTO

**⚠ ADVERTENCIA:** Si alguna pieza falta o está rota, no utilice el producto hasta haber sustituido las piezas rotas o instalado las que faltan. Podrían producirse lesiones físicas graves en caso de utilizar el producto si alguna de sus piezas falta o está dañada.

**⚠ ADVERTENCIA:** Retire siempre el pack de la batería del producto antes de instalar piezas, efectuar ajustes, proceder a su limpieza, o cuando el producto no esté en uso.

## INSTALACIÓN DE UN ACCESORIO EN EL CONJUNTO DE MOTOR

ES

**⚠ ADVERTENCIA:** Lea y comprenda perfectamente el manual del usuario de cada accesorio opcional utilización con este conjunto de motor y respete todas las advertencias e instrucciones. La no observación de todas las instrucciones podría tener como resultado un riesgo de incendio, electrocución, así como de lesiones físicas graves.

**⚠ ADVERTENCIA:** Este conjunto de motor eléctrico de 56 V PH1400E está diseñado para su uso únicamente con los modelos de accesorios de EGO especificados en este manual del usuario o comercializados en el futuro por EGO para su uso con este conjunto de motor. La utilización de otros accesorios no autorizados podría tener como resultado lesiones personales graves o daños materiales.

**⚠ ADVERTENCIA:** No instale, retire o ajuste nunca ningún accesorio mientras el conjunto de motor esté funcionando o con la batería instalada. El hecho de no apagar el motor y retirar la batería podría provocar lesiones personales graves. **NO UTILICE NUNCA EL CONJUNTO DE MOTOR SIN NINGÚN ACCESORIO.**

El accesorio deberá conectarse al conjunto de motor mediante un dispositivo de acoplamiento.

1. Apague el motor y retire el pack de la batería.
2. Afloje el mando de mariposa.
3. Retire el tapón del accesorio. Alinee la flecha del eje del accesorio con la flecha del acoplador y empuje el eje del accesorio para introducirlo en el acoplador hasta que oiga un sonido de "clic" claro, lo que indicará que el eje del accesorio está montado en su sitio (Fig. B).

Fig. B, véase a continuación la descripción de las piezas:

B-1	Eje del accesorio
B-2	Flecha del eje del accesorio
B-3	Mando de mariposa
B-4	Flecha del acoplador
B-5	Botón de liberación del eje
B-6	Eje de conjunto de motor

4. Tire del eje del accesorio para verificar si está bloqueado de modo seguro en el acoplador. Si no fuera así, gire el eje del accesorio de un lado a otro en el acoplador hasta que enganche en su sitio.

5. Apriete el mando de mariposa de forma segura.

**⚠ ADVERTENCIA:** Asegúrese de que el mando de mariposa está perfectamente apretado antes de utilizar el equipo: compruebe el apriete periódicamente durante el uso para evitar lesiones personales graves.

## DESINSTALACIÓN DE UN ACCESORIO DEL CONJUNTO DE MOTOR

1. Apague el motor y retire el pack de la batería.
2. Afloje el mando de mariposa.
3. Pulse el botón de liberación del eje y, con el botón presionado, tire del eje del accesorio o gírelo para extraerlo del acoplador.

## MONTAJE Y AJUSTE DE LA EMPUÑADURA AUXILIAR DELANTERA

1. Apague el motor y retire el pack de la batería, si se encontrara instalado.
2. Afloje la tuerca de mariposa para separar la empuñadura auxiliar delantera (Fig. C).

Fig. C, véase a continuación la descripción de las piezas:

C-1	Polo de bloqueo
C-2	Bloque de fijación
C-3	Empuñadura auxiliar delantera con barra de barrera
C-4	Tuerca de mariposa

3. Empuje la empuñadura auxiliar delantera sobre el eje entre la abrazadera de tope y el acoplador (Fig. D).
4. Inserte el bloque de fijación en la ranura de la empuñadura (Fig. E).
5. Monte el polo de bloqueo y preapriételes con la tuerca de mariposa. Asegúrese de que la empuñadura auxiliar delantera quede hacia arriba y apunte hacia la parte superior de la empuñadura trasera (Fig. F).
6. Ajuste la empuñadura auxiliar delantera entre la abrazadera de tope y el acoplador para asegurarse de que su brazo delantero quede recto durante el uso (Fig. G).

Fig. G, véase a continuación la descripción de las piezas:

G-1	Flecha	G-2	Intervalo de límite
-----	--------	-----	---------------------

7. A continuación, bloquee la palanca del polo de bloqueo (Fig. H).

**⚠ ADVERTENCIA:** No utilice nunca la herramienta sin la empuñadura auxiliar delantera instalada y firmemente sujeta en su sitio.

**⚠ ADVERTENCIA:** Fije únicamente la empuñadura auxiliar delantera entre la abrazadera de tope y el acoplador.

### MONTAJE DE LA CORREA PARA LOS HOMBROS

Presione el gancho de la correa para abrirlo y engánchelo al soporte para la correa bandolera situado en el conjunto del motor (fig. I).

## UTILIZACIÓN

**⚠ ADVERTENCIA:** No permita que la confianza que supone el hecho de estar familiarizado con el producto dé lugar a descuidos. Recuerde que cualquier distracción de una fracción de segundos es suficiente para sufrir o provocar lesiones graves.

**⚠ ADVERTENCIA:** Utilice siempre protección ocular. De lo contrario, los objetos despedidos por la acción de la herramienta podrían alcanzar sus ojos y provocar lesiones graves, oculares o de otro tipo.

**⚠ ADVERTENCIA:** No utilice piezas o accesorios que no hayan sido recomendados por el fabricante de este producto. La utilización de piezas o accesorios no recomendados por el fabricante podría resultar en lesiones físicas graves.

**⚠ ADVERTENCIA: NO UTILICE NUNCA EL CONJUNTO DE MOTOR SIN NINGÚN ACCESORIO.**

### INSTALACIÓN/DESINSTALACIÓN DE LA BATERÍA

**NOTA:** Asegúrese siempre de recargar totalmente el pack de batería antes de su primera utilización.

#### Instalación

Alinee las nervaduras de la batería con las ranuras de montaje, e introduzca el pack de la batería presionándolo hacia abajo hasta oír un “clic” (Fig. J).

Fig. J, véase a continuación la descripción de las piezas:

J-1	Ranura de montaje
J-2	Nervadura

#### Extracción

Pulse el botón de liberación de la batería y saque el pack de la batería (Fig. K).

**⚠ ADVERTENCIA:** Para evitar lesiones personales graves, extraiga siempre el pack de la batería y mantenga las manos alejadas del botón de desbloqueo y del gatillo cuando lleve la herramienta o la transporte.

## PUESTA EN MARCHA / APAGADO DEL CONJUNTO DE MOTOR (Fig. L)

### Puesta en marcha

Empuje hacia abajo el botón de desbloqueo y manténgalo en dicha posición. Apriete el gatillo para poner en marcha el conjunto de motor. Las distintas presiones en el gatillo provocarán diferentes velocidades de giro del conjunto de motor. Cuanta más presión, mayor será la velocidad.

### Parada

Suelte el gatillo.

**AVISO:** El motor solo funcionará cuando la palanca de desbloqueo y el gatillo se presionen a la vez.

### Función de ajuste de la velocidad (Fig. L)

El conjunto de motor tiene dos velocidades. La posición “1” es para baja velocidad mientras que la posición “2” es para alta velocidad. Pulse o tire del conmutador de alta/baja velocidad para seleccionar la velocidad adecuada durante el funcionamiento.

Fig. L, véase a continuación la descripción de las piezas:

L-1	Conmutador de alta/baja velocidad
L-2	Botón de desbloqueo
L-3	Gatillo

## MANTENIMIENTO

**⚠ ADVERTENCIA:** Antes de inspeccionar, limpiar o prestar servicio a la unidad, apague el motor, espere a que se detengan todas las partes móviles y retire el pack de la batería. El incumplimiento de estas instrucciones podría tener como resultado lesiones personales graves o daños materiales.

**⚠ ADVERTENCIA:** Cuando efectúe reparaciones en la herramienta, utilice únicamente piezas idénticas a las originales. Examine la herramienta a intervalos periódicos y lleve a cabo las operaciones de mantenimiento que sean necesarias. Para garantizar la seguridad y fiabilidad del producto, confíe cualquier reparación que sea necesaria a personal técnico cualificado.

**AVISO:** Antes de cada utilización, examine la totalidad del producto a fin de determinar la posible existencia de piezas dañadas, extraviadas o sueltas, tales como tornillos, tuercas, pernos, tapones, etc. Apriete todos los tornillos, fijaciones y tapones según sea necesario y no utilice el producto hasta haber sustituido las piezas dañadas o instalado las que faltan. Póngase en contacto con el servicio al cliente o con un técnico de servicio cualificado.

## MANTENIMIENTO GENERAL

Evite utilizar disolventes para limpiar los elementos plásticos del producto. La mayoría de las piezas de plástico utilizadas son susceptibles de sufrir daños si se limpian con algunos de los tipos de disolventes de uso industrial disponibles en el mercado. Utilice paños limpios para eliminar la suciedad y los residuos de polvo, aceite, grasa, etc.

## LIMPIEZA DEL CONJUNTO DE MOTOR

1. Apague el motor y retire el pack de la batería.
2. Limpie la suciedad y restos del conjunto de motor utilizando un paño húmedo con un detergente suave.

**AVISO:** No utilice detergentes fuertes sobre la carcasa de plástico o en la empuñadura. Ciertos aceites aromáticos, tales como aquellos a base de limón o resina de pino podrían dañar estas piezas.

## ALMACENAMIENTO DEL CONJUNTO DE MOTOR

1. Retire el pack de batería del conjunto de motor antes de almacenarlo.
2. Limpie cualquier cuerpo extraño del conjunto de motor.
3. Guarde el conjunto de motor en un lugar inaccesible para los niños.
4. Manténgalo apartado de agentes corrosivos tales como productos químicos de jardinería y sal para deshielo.

## Protección del medio ambiente



No elimine aparatos eléctricos, cargadores de baterías, acumuladores recargables o baterías junto con los desperdicios domésticos!

Tanto la Directiva europea 2012/19/UE sobre la eliminación de aparatos eléctricos y electrónicos inservibles como la Directiva europea 2006/66/CE sobre la eliminación de baterías o acumuladores defectuosos o agotados estipulan que dichos elementos deben ser objeto de una recogida selectiva.

Si los aparatos eléctricos acabaran tirándose a vertederos o basureros, podrían desprender sustancias perjudiciales que llegarían a contaminar las capas freáticas y entrar en la cadena alimenticia, con el consecuente peligro para la salud y calidad de vida humana.

## RESOLUCIÓN DE PROBLEMAS

Consulte el manual del usuario del accesorio aplicable.

## GARANTÍA

### POLITICA DE GARANTÍA EGO

Por favor visite nuestra página web [egopowerplus.com](http://egopowerplus.com) para los terminos y las condiciones completas de la política de garantía EGO.

01/12/2016

## LEIA TODAS AS INSTRUÇÕES!



### LEIA O MANUAL DO UTILIZADOR

**⚠ Risco residual!** As pessoas com dispositivos eletrônicos, como *pacemakers*, deverão consultar o seu médico antes de utilizarem este produto. A utilização de equipamento elétrico perto de um *pacemaker* pode causar interferências ou falhas no *pacemaker*.

**⚠ AVISO:** Para assegurar a segurança e bom funcionamento, todas as reparações e substituições deverão ser efetuadas por um técnico de reparação qualificado.

## SÍMBOLOS DE SEGURANÇA

O objetivo dos símbolos de segurança é chamar a atenção para possíveis perigos. Os símbolos de segurança e as respetivas explicações apresentadas requerem a sua atenção e compreensão. Os avisos de segurança, só por si, não eliminam o perigo. As instruções e avisos dados não são substitutos para medidas de prevenção adequadas a acidentes.

**⚠ AVISO:** Certifique-se de que lê e compreende todas as instruções de segurança neste manual do utilizador, incluindo todos os símbolos de alerta de segurança, como “PERIGO”, “AVISO”, e “CUIDADO” antes de utilizar esta ferramenta. Não seguir todas as instruções apresentadas abaixo pode resultar em choque elétrico, incêndio e/ou lesões graves.

## SIGNIFICADO DOS SÍMBOLOS

**⚠ SÍMBOLO DE ALERTA DE SEGURANÇA:** Indica **PERIGO, AVISO** ou **CUIDADO**. Pode ser usado juntamente com outros símbolos ou imagens.



**⚠ AVISO:** O funcionamento de qualquer ferramenta elétrica pode dar origem ao ressalto de quaisquer objetos estranhos que podem atingir os olhos, podendo dar origem a sérias lesões oculares. Antes de começar a utilizar a ferramenta elétrica, utilize sempre óculos de segurança com proteções laterais e uma proteção completa para o rosto, quando necessário. Recomendamos a utilização de máscaras de segurança com visão panorâmica por cima dos óculos ou óculos de segurança padrão com proteção lateral.

## INSTRUÇÕES DE SEGURANÇA

Esta página retrata e descreve os símbolos de segurança que podem aparecer neste produto. Leia, compreenda e siga todas as instruções na máquina antes de a tentar montar e utilizar.

	Alerta de segurança	Indica um potencial perigo de lesões pessoais.
	Leia o manual do utilizador	Para reduzir o risco de lesões, o utilizador tem de ler e compreender o manual do utilizador antes de utilizar este produto.
	Utilize proteção ocular	Utilize sempre óculos de segurança com proteção lateral e, se necessário, uma proteção completa do rosto, quando utilizar este produto.
	CE	Este produto encontra-se em conformidade com as diretivas CE aplicáveis.
	REEE	Os produtos elétricos residuais não deverão ser eliminados juntamente com o lixo doméstico comum. Entregue-os num centro de reciclagem autorizado.
	Não exponha à chuva	Não utilizar à chuva ou deixar no exterior enquanto chove.
V	Volts	Tensão
mm	Milímetro	Comprimento ou tamanho
cm	Centímetro	Comprimento ou tamanho
in.	Polegada	Comprimento ou tamanho
kg	Quilograma	Peso
lb	Libra	Peso
	Corrente direta	Tipo ou característica da corrente

PT

### AVISOS DE SEGURANÇA GERAIS DA FERRAMENTA ELÉTRICA

**⚠ AVISO:** Leia todos os avisos de segurança e todas as instruções. O incumprimento das instruções e avisos de segurança pode ter como consequência a existência de perigo de incêndio, de choques elétricos e/ou de lesões graves.

## Guarde todos os avisos e instruções para futuras referências.

O termo “ferramenta elétrica” nos avisos diz respeito à sua ferramenta alimentada pela rede (com fio) ou com bateria (sem fio).

### SEGURANÇA NA ÁREA DE TRABALHO

- **Mantenha a área de trabalho limpa e bem iluminada.** Áreas desarrumadas ou escuras são propícias a acidentes.
- Não ligue ferramentas elétricas em atmosferas explosivas, tal como na presença de líquidos inflamáveis, gasolina ou pó. As ferramentas elétricas produzem faíscas que podem inflamar o pó ou fumos.
- **Mantenha as crianças e pessoas que passem afastadas enquanto trabalhar com uma ferramenta elétrica.** As distrações podem fazer com que perca o controle.

### SEGURANÇA ELÉTRICA

- **As fichas da ferramenta elétrica têm de corresponder à tomada. Nunca modifique a ficha de algum modo. Não utilize adaptadores de ficha com ferramentas elétricas com ligação à terra (aterradas).** Fichas não modificadas e tomadas correspondentes reduzirão o risco de choque elétrico.
- **Evite o contacto do corpo com superfícies ligadas à terra, tais como tubos, radiadores, bases e frigoríficos.** Existe um risco acrescido de choque elétrico se o seu corpo estiver ligado à terra.
- **Não exponha as ferramentas elétricas à chuva ou a condições húmidas.** A entrada da água na ferramenta elétrica aumentará o risco de choque elétrico.
- **Não force o fio da alimentação. Nunca utilize o fio para transportar, puxar ou desligar a ferramenta elétrica.** Mantenha o fio afastado do calor, óleo, arestas afiadas ou peças móveis. Fios danificados ou presos aumentam o risco de choque elétrico.
- **Quando estiver a trabalhar com uma ferramenta elétrica ao ar livre, utilize uma extensão adequada para a utilização no exterior.** A utilização de um fio adequado ao exterior reduz o risco de choque elétrico.
- **Se for inevitável trabalhar com uma ferramenta eléctrica num local húmido, use um interruptor de circuito de falha de ligação à terra.** A utilização deste interruptor reduz o risco de choque elétrico.

### SEGURANÇA PESSOAL

- **Mantenha-se alerta, observe o que está a fazer e use senso comum quando estiver a trabalhar com uma ferramenta elétrica.** Não utilize uma ferramenta elétrica enquanto estiver cansado ou sobre o efeito

de drogas, álcool ou medicação. Um momento de falta de atenção enquanto trabalha com ferramentas elétricas pode resultar em lesões sérias.

- **Use equipamento pessoal de proteção. Utilize sempre proteção ocular.** O equipamento de segurança, tal como máscara de pó, calçado de segurança antiderrapante, capacete de segurança, ou proteção para os ouvidos, utilizado nas condições adequadas reduzirá a hipótese de lesões.
- **Evite ligações sem intenção. Certifique-se de que o interruptor se encontra na posição de desligado antes de ligar a fonte de energia e/ou à bateria ao agarrar ou transportar a ferramenta.** Transportar ferramentas elétricas com o seu dedo no interruptor ou fornecer energia a ferramentas elétricas que tenham o interruptor na posição de ligado convida a acidentes.
- **Retire qualquer chave de ajuste ou chave de fendas antes de ligar a ferramenta.** Uma chave de fendas ou uma chave deixada ligada a uma peça rotativa da ferramenta elétrica pode resultar em lesão.
- **Não se estique. Mantenha sempre a base e o equilíbrio adequados.** Isso proporciona um melhor controlo da ferramenta elétrica em situações inesperadas.
- **Vista-se adequadamente. Não utilize roupa larga ou jóias. Mantenha o cabelo, roupa e luvas afastados das partes móveis.** Roupas largas, jóias ou cabelo comprido podem ser apanhados pelas peças em movimento.
- **Se forem fornecidos dispositivos para a ligação de extração de pó e facilidades de recolha, certifique-se de que estas estão ligadas e de que são devidamente utilizadas.** A utilização de dispositivos de recolha do pó pode reduzir os perigos relacionados com o pó.

### UTILIZAÇÃO E CUIDADOS DA FERRAMENTA ELÉTRICA

- **Não force a ferramenta elétrica. Utilize a ferramenta elétrica correta para a sua aplicação.** A ferramenta elétrica correta fará o trabalho melhor e de forma mais segura ao ritmo para o qual foi concebida.
- **Não utilize a ferramenta elétrica se o interruptor não a ligar ou desligar.** Qualquer ferramenta elétrica que não possa ser controlada pelo interruptor torna-se perigosa e tem de ser reparada.
- **Desligue a ficha da fonte de alimentação e/ou a bateria da ferramenta elétrica antes de fazer quaisquer ajustes, mudar de acessórios, ou guardar as ferramentas elétricas.** Tais medidas de segurança preventiva ajudam a reduzir os riscos de ligar inadvertidamente a ferramenta elétrica.

- **Guarde ferramentas elétricas sem carga fora do alcance de crianças e não permita que pessoas estranhas às ferramentas elétricas ou a estas instruções trabalhem com a ferramenta elétrica.** As ferramentas elétricas são perigosas nas mãos de utilizadores sem formação.
- **Proceda à manutenção das ferramentas elétricas.** Verifique se existem desalinhamentos ou bloqueios das peças móveis, peças partidas e quaisquer outras condições que possam afetar o funcionamento da ferramenta elétrica. Se estiver danificada, leve a ferramenta elétrica para ser reparada antes da utilização. Muitos acidentes são provocados pela fraca manutenção das ferramentas elétricas.
- **Mantenha as ferramentas de corte afiadas e limpas.** Ferramentas devidamente mantidas com arestas de corte afiadas são menos fáceis de prender e mais fáceis de controlar.
- **Use a ferramenta elétrica, acessórios e brocas, etc., de acordo com estas instruções, tendo em conta as condições de trabalho e o trabalho a ser efetuado.** A utilização da ferramenta elétrica para operações diferentes daquelas para que foi criada pode dar origem a uma situação perigosa.
- **Esta cabeça motora PH1400E de 56V só pode ser usada com os seguintes acessórios EGO:**

TIPO DE ACESSÓRIO	NÚMERO DO MODELO
Corta-sebes	EA0800
Moto-roçadora	BCA1200
Aparador de linha	STA1500
Podadora	PSA1000
Corta-sebes com haste	HTA2000

#### UTILIZAÇÃO E CUIDADOS DA FERRAMENTA COM A BATERIA

- **Recarregue apenas com o carregador especificado pelo fabricante.** Um carregador que seja adequado a um tipo de bateria pode criar um risco de incêndio quando usado com outra bateria.
- **Utilize as ferramentas elétricas apenas com as baterias especificamente designadas e listadas em baixo.** A utilização de outras baterias pode criar um risco de lesão e incêndio.

BATERIA	CARREGADOR
BA1120E, BA2240E, BA2800, BA3360, BA4200 (BA3360 e BA4200 não são aplicáveis quando equipados com o acessório da moto-roçadora)	CH5500E, CH2100E

- **Quando não utilizar a bateria, mantenha-a afastada de outros objetos de metal, como cliques de papel, moedas, chaves, pregos, parafusos ou outros pequenos objetos de metal que possam fazer uma ligação entre os dois terminais.** Colocar os terminais da bateria em curto-circuito pode dar origem a queimaduras ou fogo.
- **Sob condições abusivas, pode ser ejetado líquido da bateria; evite o contacto. Se ocorrer contacto acidentalmente, lave com água corrente. Se o líquido entrar em contacto com os olhos, procure ajuda médica.** O líquido ejetado da bateria pode provocar irritação ou queimaduras.

PT

#### MANUTENÇÃO

- **A manutenção da sua ferramenta elétrica deverá ser sempre efetuada por pessoas qualificadas, utilizando apenas peças sobresselentes idênticas.** Tal irá assegurar que a segurança da ferramenta elétrica é mantida.
- Se ocorrerem situações que não sejam abrangidas por este manual, tenha cuidado e faça uso do bom senso. Contacte o centro de reparação da EGO para obter assistência.

#### GUARDE ESTAS INSTRUÇÕES

**AS REGRAS DE SEGURANÇA ESPECÍFICAS ADICIONAIS PODEM SER ENCONTRADAS NOS MANUAIS DE INSTRUÇÃO DOS ACESSÓRIOS APLICÁVEIS.**

#### ESPECIFICAÇÕES

Voltagem	56 V ---
Peso (sem a bateria)	2,73 kg

#### LISTA DE PEÇAS

NOME DA PEÇA	QUANTIDADE
Cabeça do motor	1
Pega dianteira ajustável	1
Alça para os ombros	1
Manual de funcionamento	1

## DESCRIÇÃO

### CONHEÇA A SUA CABEÇA MOTORA (Imagem A)

1. Saída de ar
2. Entrada de ar
3. Pega traseira
4. Botão de desbloqueio
5. Interruptor de velocidade alta/baixa
6. Anilha de entrada
7. Pega dianteira ajustável
8. Acoplador
9. Botão de libertação do eixo
10. Manipulo de asa
11. Barra da barreira
12. Gatilho
13. Botão de libertação de bateria
14. Proteção de borracha
15. Aba
16. Contactos elétricos
17. Mecanismo de ejeção
18. Alça para o ombro (acessório especial)

PT

## MONTAR

**⚠ AVISO:** Se quaisquer peças estiverem danificadas ou em falta não utilize este produto até as peças serem substituídas. Utilizar este produto com peças danificadas ou em falta pode dar origem a lesões pessoais sérias.

**⚠ AVISO:** Retire sempre a bateria do produto quando estiver a montar peças, fazer ajustes, limpar ou quando não utilizar o produto.

### INSTALAR UM ACESSÓRIO NA CABEÇA MOTORA

**⚠ AVISO:** Leia e compreenda o manual de instruções para cada acessório usado com esta cabeça motora e siga todos os avisos e instruções. Não seguir todas as instruções pode resultar em choque elétrico, incêndio e/ou lesões pessoais graves.

**⚠ AVISO:** Esta cabeça motora PH1400E de 56V foi criada para ser usada apenas com acessórios EGO especificados neste manual de instruções ou subsequentemente introduzidos pela EGO para serem usados com esta cabeça motora. A utilização de outros acessórios não autorizados pode causar lesões pessoais sérias ou danos de propriedade.

**⚠ AVISO:** Nunca instale, retire nem ajuste qualquer acessório enquanto a cabeça motora estiver a funcionar ou com a bateria instalada. Falha em parar o motor e retirar a bateria pode causar lesões pessoais sérias. **NUNCA UTILIZE A CABEÇA MOTORA SEM UM ACESSÓRIO.**

O acessório liga-se à cabeça motora através de um dispositivo de acoplamento.

1. Pare o motor e retire a bateria.
2. Desaperte o manípulo de asa.
3. Retire o tampão final do acessório. Alinhe a seta no eixo de fixação com a seta no acoplador e empurre o eixo de fixação para o acoplador até ouvir um clique, o que significa que o eixo de fixação está montado no respetivo lugar (Imagem B).

Imagem B: Descrição das peças apresentada abaixo:

B-1	Eixo de fixação
B-2	Seta no eixo de fixação
B-3	Manipulo de asa
B-4	Seta no acoplador
B-5	Botão de libertação do eixo
B-6	Eixo da cabeça motora

4. Puxe o eixo do acessório para se certificar de que está bem fixado no acoplador. Caso contrário, rode o eixo do acessório de um lado para o outro no acoplador até ficar fixado no respetivo lugar.
5. Aperte bem o manípulo de asa.

**⚠ AVISO:** Certifique-se de que o manípulo de asa está completamente apertado antes de utilizar o equipamento. Verifique-o periodicamente quanto ao aperto durante a utilização, para evitar lesões pessoais sérias.

### RETIRE O ACESSÓRIO DA CABEÇA MOTORA

1. Pare o motor e retire a bateria.
2. Desaperte o manípulo de asa.
3. Prima o botão de libertação do eixo. Com o botão premido, puxe ou torça o eixo do acessório para fora do acoplador.

### MONTAR E AJUSTAR A PEGA DIANTEIRA

1. Pare o motor e retire a bateria, caso esteja instalada.
2. Desaperte a porca de asas para separar a pega dianteira ajustável (Imagem C).



Imagem C: descrição das peças apresentada abaixo:

C-1	Haste de fixação
C-2	Bloco de fixação
C-3	Pega dianteira com barra de barreira
C-4	Porca de asas

3. Pressione a pega dianteira para o eixo entre a anilha de entrada e o acoplador (Imagem D).
4. Insira o bloco de fixação na ranhura da pega (Imagem E).
5. Monte a haste de fixação e aperte com a porca de asas. Certifique-se de que a pega dianteira fica para cima, para ficar virada para o topo da pega traseira (Imagem F).
6. Ajuste a pega dianteira entre a anilha de entrada e o acoplador, para se certificar de que o seu braço dianteiro fica esticado durante a operação (Imagem G).

Imagem G: descrição das peças apresentada abaixo:

G-1	Seta	G-2	Raio de limitação
-----	------	-----	-------------------

7. Depois fixe a alavanca da haste de fixação (Imagem H).

**⚠ AVISO:** Nunca utilize a ferramenta sem a pega dianteira bem colocada.

**⚠ AVISO:** Fixe a pega dianteira apenas entre a anilha de entrada e o acoplador.

### MONTAR A ALÇA PARA O OMBRO

Prima o gancho da alça para o abrir e fixe no gancho de fixação da alça para o ombro na cabeça do motor (Imagem I).

## FUNCIONAMENTO

**⚠ AVISO:** Não deixe que a sua familiaridade com o produto o torne descuidado. Lembre-se, uma fração de segundo de desatenção é suficiente para infligir ferimentos graves.

**⚠ AVISO:** Utilize sempre proteção ocular. Se não o fizer, pode apanhar com objetos nos olhos, dando origem a possíveis lesões sérias.

**⚠ AVISO:** Não utilize quaisquer acessórios para além dos recomendados pelo fabricante deste produto. A utilização de acessórios que não sejam recomendados pode dar origem a lesões pessoais sérias.

**⚠ AVISO: NUNCA UTILIZE A CABEÇA MOTORA SEM UM ACESSÓRIO.**

### INSTALAR/RETIRAR A BATERIA

**NOTA:** Carregue por completo a bateria antes da primeira utilização.

#### Para instalar

Alinhe as abas da bateria com as ranhuras de fixação e empurre a bateria para baixo até ouvir um “clique” (Imagem J).

Imagem J descrição das peças apresentada abaixo:

J-1	Ranhura de montagem
J-2	Aba

#### Para retirar

Prima o botão de libertação da bateria e puxe a bateria para fora (Imagem K).

**⚠ AVISO:** Para evitar lesões pessoais sérias, retire sempre a bateria e mantenha as mãos afastadas do botão de desbloqueio e do gatilho quando segurar ou transportar a ferramenta.

### LIGAR/PARAR A CABEÇA MOTORA (Imagem L)

#### Para ligar

Prima o botão de desbloqueio e mantenha-o nessa posição. Prima o gatilho para ligar a cabeça motora. Uma pressão diferente no gatilho dá origem a uma velocidade de rotação variável da cabeça motora. Quanto maior for a pressão, maior é a velocidade.

#### Para ligar

Liberte o gatilho.

**AVISO:** O motor só funciona quando a botão de desbloqueio e o gatilho forem premidos em simultâneo.

#### Função de ajuste da velocidade (Imagem L)

A cabeça motora tem duas velocidades. A posição “1” é a de baixa velocidade e a posição “2” é a de alta velocidade. Pressione ou puxe o interruptor da velocidade alta/baixa para escolher a velocidade adequada durante a operação.

Imagem L: descrição das peças apresentada abaixo:

L-1	Interruptor da velocidade alta/baixa
L-2	Botão de desbloqueio
L-3	Gatilho

## MANUTENÇÃO

**⚠ AVISO:** Antes de inspecionar, limpar ou reparar a unidade, pare o motor, espere que todas as peças móveis parem por completo e retire a bateria. O não seguimento destas instruções pode dar origem a lesões corporais sérias ou danos de propriedade.

**⚠️ AVISO:** Quando fizer reparações, utilize apenas peças sobressalentes idênticas. Inspeccione e efetue a manutenção da máquina com regularidade. Para assegurar a segurança e bom funcionamento, todas as reparações deverão ser efetuadas por um técnico de reparação qualificado.

**AVISO:** Antes de cada utilização, verifique se há peças soltas, danificadas ou em falta, tais como parafusos, porcas, tampões, etc. Aperte bem todos os fixadores e tampões e não utilize este produto, sem substituir primeiro todas as peças danificadas ou em falta. Contacte o centro de apoio ao cliente ou um técnico de reparação qualificado.

## MANUTENÇÃO GERAL

Evite usar solventes quando limpar peças de plástico. Grande parte dos plásticos é susceptível a danos devido a vários tipos de solventes comerciais. Use panos limpos para retirar a sujidade, pó, óleo, gordura, etc.

## LIMPAR A CABEÇA MOTORA

1. Pare o motor e retire a bateria.
2. Limpe a sujidade e o lixo da estrutura da cabeça motora, usando um pano ligeiramente embebido em água e detergente neutro.

**AVISO:** Não utilize detergentes fortes na estrutura de plástico ou na pega. Estes podem ser danificados por determinados óleos aromáticos, como pinho e limão.

## GUARDAR A CABEÇA MOTORA

1. Retire a bateria da cabeça motora antes de a guardar.
2. Limpe todos os objetos estranhos da cabeça motora.
3. Guarde-a num local inacessível a crianças.
4. Mantenha-a afastada de agentes corrosivos, como químicos de jardim e sais para eliminar o gelo.

## Proteção do ambiente



Não elimine o equipamento elétrico, o carregador da bateria e as baterias/ baterias recarregáveis juntamente com o lixo doméstico comum!

De acordo com a norma europeia 2002/19/UE, o equipamento elétrico e eletrónico que deixe de ser usado e de acordo com a norma europeia 2006/66/CE, as baterias gastas ou defeituosas têm de ser recolhidas em separado.

Se os equipamentos elétricos forem eliminados em aterros ou lixeiras, substâncias perigosas podem vazar para os lençóis freáticos e entrar na cadeia de alimentação, danificando a sua saúde e bem-estar.

## RESOLUÇÃO DE PROBLEMAS

Consulte o manual de utilização dos respetivos acessórios.

## GARANTIA

### POLÍTICA DE GARANTIA EGO

Por favor, visite o website [egopowerplus.com](http://egopowerplus.com) para saber todos os termos e condições da política de garantia EGO.

01/12/2016

## LEGGERE TUTTE LE ISTRUZIONI!



### LEGGERE IL MANUALE DI ISTRUZIONI

**⚠️ Rischi residui!** Le persone portatrici di dispositivi elettronici, ad esempio pacemaker, devono consultare il proprio medico prima di usare questo prodotto. L'utilizzo di apparecchi elettrici in prossimità di pacemaker cardiaci comporta il rischio di interferenze o malfunzionamento del pacemaker.

**⚠️ AVVERTENZA!** Per garantire sicurezza e affidabilità, tutte le riparazioni e sostituzioni devono essere eseguite da un tecnico qualificato.

## SIMBOLI DI SICUREZZA

Lo scopo dei simboli di sicurezza è attirare l'attenzione dell'operatore su possibili pericoli. I simboli di sicurezza e le relative spiegazioni richiedono la massima attenzione e comprensione da parte dell'operatore. Le avvertenze espresse dai simboli, da sole, non eliminano tutti i rischi. Le istruzioni e le avvertenze non sostituiscono le adeguate misure di prevenzione contro gli incidenti.

**⚠️ AVVERTENZA!** Accertarsi di aver letto e compreso tutte le istruzioni di sicurezza in questo manuale, inclusi tutti i simboli di avvertenza come "PERICOLO", "AVVERTENZA" e "ATTENZIONE", prima di usare questo apparecchio. Il mancato rispetto di tutte le istruzioni elencate di seguito comporta il rischio di scossa elettrica, incendio e/o lesioni gravi.

## SIGNIFICATO DEI SIMBOLI

**⚠️ AVVERTENZA DI SICUREZZA:** Indica **PERICOLO**, **AVVERTENZA** o **ATTENZIONE**. Può essere usato in combinazione con altri simboli.



**⚠️ AVVERTENZA!** L'uso di apparecchi elettrici può causare il lancio di oggetti estranei verso l'operatore, con il rischio di gravi lesioni agli occhi. Durante l'uso dell'apparecchio, indossare sempre occhiali protettivi o occhiali di sicurezza con protezioni laterali e, se necessario, una maschera facciale. Si consiglia di indossare una maschera di sicurezza con ampio campo visivo sopra gli occhiali o gli occhiali di sicurezza standard con protezioni laterali.

## ISTRUZIONI DI SICUREZZA

Questa pagina illustra e descrive i simboli di sicurezza che possono comparire sul prodotto. Leggere, comprendere e seguire tutte le istruzioni sull'apparecchio prima di tentare di assemblarlo e ripararlo.

	Avvertenza di sicurezza	Indica un potenziale rischio di infortunio.
	Leggere il manuale di istruzioni	Per ridurre il rischio di infortunio, l'utente deve leggere e comprendere tutte le istruzioni prima di usare questo prodotto.
	Indossare protezioni per gli occhi	Durante l'uso del prodotto, indossare sempre occhiali protettivi o occhiali di sicurezza con protezioni laterali e una maschera facciale.
	CE	Questo prodotto è conforme alle direttive europee applicabili.
	RAEE	I prodotti elettrici non devono essere smaltiti insieme ai rifiuti domestici. Portarli presso un centro di riciclaggio autorizzato.
	Non esporre alla pioggia	Non usare l'apparecchio in caso di pioggia e non lasciarlo all'aperto quando piove.
V	Volts	Voltaggio
mm	Millimetro	Lunghezza o dimensioni
cm	Centimetro	Lunghezza o dimensioni
in.	Pollice	Lunghezza o dimensioni
kg	Chilogrammo	Peso
lb	Libbra	Peso
	Corrente continua	Tipo o caratteristica della corrente

## AVVERTENZE DI SICUREZZA COMUNI A TUTTI GLI UTENSILI ELETTRICI

**⚠ AVVERTENZA!** Leggere tutte le avvertenze di sicurezza e le istruzioni. Il mancato rispetto delle avvertenze e delle istruzioni comporta il rischio di scossa elettrica, incendio e/o lesioni gravi.

Conservare tutte le avvertenze e le istruzioni per riferimento futuro.

Il termine "utensile elettrico" nelle avvertenze si riferisce a un utensile elettrico alimentato da presa di corrente (con cavo) o da batterie (senza cavo).

## SICUREZZA DELL'AREA DI LAVORO

- **L'area di lavoro deve essere pulita e ben illuminata.** Il disordine e la scarsa illuminazione favoriscono gli incidenti.
- **Non usare l'utensile elettrico in atmosfere esplosive, ad esempio in presenza di liquidi, gas o polveri infiammabili.** Gli utensili elettrici creano scintille che possono incendiare polveri o fumi.
- **Durante l'uso dell'utensile elettrico, tenere a distanza i bambini e le persone presenti.** Le distrazioni possono far perdere il controllo dell'utensile.

## SICUREZZA ELETTRICA

- **Le spine degli utensili elettrici devono essere adatte al tipo di presa. Non modificare la spina in alcun modo. Non usare adattatori con gli utensili elettrici dotati di messa a terra (collegati a massa).** L'uso di spine originali corrispondenti al tipo di presa riduce il rischio di scossa elettrica.
- **Evitare il contatto fisico con superfici collegate a terra come tubi, radiatori, fornelli elettrici e frigoriferi.** Il rischio di scossa elettrica aumenta se il proprio corpo è collegato a terra.
- **Non esporre gli utensili elettrici a pioggia o umidità.** L'infiltrazione di acqua all'interno degli utensili elettrici aumenta il rischio di scossa elettrica.
- **Non utilizzare il cavo in modo improprio. Non usare il cavo per trasportare, tirare o scollegare l'utensile elettrico dalla presa di corrente. Tenere il cavo al riparo da calore, olio, bordi affilati o parti mobili.** La presenza di cavi danneggiati o aggrovigliati aumenta il rischio di scossa elettrica.
- **Durante l'uso di un utensile elettrico all'aperto, utilizzare una prolunga idonea per usi esterni.** L'utilizzo di un cavo idoneo per usi esterni riduce il rischio di scossa elettrica.

- **Se è necessario lavorare in un luogo umido, utilizzare un circuito elettrico dotato di interruttore differenziale.** L'uso di un interruttore differenziale (GFCI) riduce il rischio di scossa elettrica.

## SICUREZZA PERSONALE

- **Durante l'uso di un utensile elettrico, prestare sempre la massima attenzione e utilizzare il buon senso. Non usare l'utensile elettrico se si è stanchi o sotto l'effetto di droghe, alcol o medicinali.** Un solo attimo di disattenzione durante l'uso dell'utensile elettrico può provocare gravi infortuni.
  - **Indossare dispositivi di protezione individuale. Indossare sempre occhiali di protezione.** I dispositivi di protezione individuale come maschere antipolvere, scarpe antiscivolo, elmetti e cuffie per le orecchie, se utilizzati quando le circostanze lo richiedono, riducono il rischio di infortuni.
  - **Prevenire l'avvio accidentale. Assicurarsi che l'interruttore sia in posizione di spegnimento prima di sollevare, trasportare o collegare l'utensile elettrico alla presa di corrente e/o alla batteria.** Per ridurre il rischio di incidenti, non trasportare gli utensili elettrici tenendo le dita sull'interruttore e non collegarli alla presa di corrente se l'interruttore è in posizione di accensione.
  - **Rimuovere eventuali chiavi di regolazione o avvitamento prima di accendere l'utensile elettrico.** Una chiave fissata a una parte mobile dell'utensile elettrico può causare infortuni.
  - **Non sbilanciarsi o sporgersi. Mantenere sempre un buon equilibrio evitando posizioni instabili.** Ciò assicura un miglior controllo dell'utensile elettrico in situazioni impreviste.
  - **Vestirsi in modo adeguato. Non indossare gioielli o abiti molto larghi. Tenere capelli, indumenti e guanti lontani dalle parti mobili.** Indumenti ampi, gioielli e capelli lunghi possono impigliarsi nelle parti mobili.
  - **Se sono disponibili dei dispositivi per l'estrazione e la raccolta delle polveri, assicurarsi che siano collegati e utilizzati correttamente.** L'uso di tali dispositivi può ridurre i rischi derivanti dalla polvere.
- ## USO E MANUTENZIONE DELL'UTENSILE ELETTRICO
- **Non forzare l'utensile elettrico. Utilizzare l'utensile più adatto al lavoro da svolgere.** L'utensile elettrico è più sicuro ed efficace se utilizzato alla velocità per la quale è stato progettato.
  - **Non utilizzare l'utensile elettrico se l'interruttore non funziona.** Un utensile elettrico che non può essere controllato dall'interruttore è pericoloso e deve essere riparato.

- **Scollegare l'utensile elettrico dalla presa di corrente e/o dalla batteria prima di regolarlo, riporlo o sostituire gli accessori.** Tali misure preventive riducono il rischio di avvio accidentale dell'utensile elettrico.
- **Riporre gli utensili elettrici fuori dalla portata dei bambini e non permetterne l'uso a persone che non hanno familiarità con l'apparecchio o con queste istruzioni.** Gli utensili elettrici sono pericolosi se utilizzati da persone non competenti.
- **Mantenere gli utensili elettrici in buono stato. Verificare che le parti mobili non siano disallineate o piegate, che i componenti non siano danneggiati e che non siano presenti altri problemi che potrebbero pregiudicare il corretto funzionamento dell'utensile elettrico. Se l'utensile elettrico è danneggiato, farlo riparare prima di utilizzarlo nuovamente.** Molti incidenti sono provocati da utensili elettrici in cattive condizioni.
- **Mantenere gli utensili di taglio puliti e affilati.** Un'adeguata manutenzione degli accessori da taglio con bordi affilati riduce l'adesione del materiale alle lame e facilita il controllo dell'utensile elettrico.
- **Usare l'utensile elettrico, gli accessori, le punte ecc. conformemente a queste istruzioni, tenendo conto delle condizioni dell'area di lavoro e del tipo di lavoro da svolgere.** L'uso dell'utensile elettrico per operazioni diverse da quelle per cui è stato progettato costituisce un pericolo.
- **L'unità motore da 56 V PH1400E può essere utilizzata esclusivamente con i seguenti accessori EGO:**

NOME ACCESSORIO	NUMERO MODELLO
Bordatore	EA0800
Decespugliatore a lama	BCA1200
Decespugliatore a filo	STA1500
Potatore telescopico	PSA1000
Tagliasiepi telescopico	HTA2000

#### USO E MANUTENZIONE DELLA BATTERIA

- **Ricaricare l'utensile elettrico utilizzando esclusivamente il caricabatteria specificato dal costruttore.** Un caricabatteria adatto a un certo tipo di batteria comporta il rischio di incendio se utilizzato con batterie di tipo diverso.
- **Utilizzare esclusivamente batterie progettate specificamente per questo utensile elettrico.** L'uso di altre batterie comporta il rischio di incendio e di infortuni.

BATTERIA	CARICABATTERIA
BA1120E, BA2240E, BA2800, BA3360, BA4200 (BA3360 & BA4200 non sono applicabili se l'apparecchio è dotato dell'accessorio decespugliatore a lama)	CH5500E, CH2100E

- **Quando la batteria non è in uso, tenerla lontana da piccoli oggetti metallici, ad esempio graffette, monete, chiavi, chiodi, viti ecc. poiché potrebbero creare un collegamento tra i due terminali.** Il cortocircuito dei terminali della batteria comporta il rischio di incendio o di ustioni.
- **L'utilizzo improprio dell'utensile elettrico può causare fuoriuscite di liquido dalla batteria: evitare il contatto con tale liquido. In caso di contatto accidentale, lavare con acqua. Se il liquido entra a contatto con gli occhi, contattare un medico.** Il liquido fuoriuscito dalla batteria può causare irritazioni o ustioni.

IT

#### RIPARAZIONI

- **Affidare la riparazione dell'utensile a personale qualificato e utilizzare esclusivamente parti di ricambio identiche** Ciò garantisce la sicurezza dell'utensile elettrico.
- In caso di situazioni non contemplate in questo manuale, agire con cautela e usare il buon senso. Contattare il centro di assistenza EGO per assistenza.

#### CONSERVARE QUESTE ISTRUZIONI!

**ULTERIORI AVVERTENZE DI SICUREZZA SPECIFICHE SONO RIPORTATE NEL MANUALE DI ISTRUZIONI DELL'ACCESSORIO APPLICABILE**

#### SPECIFICHE TECNICHE

Voltaggio	56 V ---
Peso (senza gruppo batteria)	2,73 kg

#### CONTENUTO DELLA CONFEZIONE

DENOMINAZIONE DEL COMPONENTE	QUANTITÀ
Unità motore	1
Impugnatura anteriore regolabile	1
Tracolla	1
Manuale di istruzioni	1

## DESCRIZIONE

### DESCRIZIONE DELL'UNITÀ MOTORE (Fig. A)

1. Uscita dell'aria
2. Ingresso dell'aria
3. Impugnatura posteriore
4. Pulsante di sbloccaggio
5. Interruttore di velocità alta/bassa
6. Anello limitatore
7. Impugnatura anteriore ausiliaria regolabile
8. Raccordo
9. Pulsante di rilascio dell'asta
10. Manopola di fissaggio
11. Barra di protezione
12. Interruttore a grilletto
13. Pulsante di rilascio della batteria
14. Cuscinetto protettivo in gomma
15. Dispositivo di chiusura
16. Contatti elettrici
17. Meccanismo di espulsione
18. Tracolla da spalla (accessorio speciale)

IT

## ASSEMBLAGGIO

**⚠ AVVERTENZA!** In caso di componenti danneggiati o mancanti, non usare l'apparecchio finché i componenti non vengono sostituiti. L'uso dell'apparecchio con componenti danneggiati o mancanti comporta il rischio di lesioni gravi.

**⚠ AVVERTENZA!** Rimuovere sempre il gruppo batteria dall'apparecchio quando non è in uso e prima delle operazioni di assemblaggio, regolazione e pulizia.

### INSTALLAZIONE DELL'ACCESSORIO SULL'UNITÀ MOTORE

**⚠ AVVERTENZA!** Leggere e comprendere integralmente il manuale di istruzioni di ogni accessorio opzionale installabile su questa unità motore, e rispettare tutte le avvertenze e le istruzioni. Il mancato rispetto di tutte le istruzioni comporta il rischio di scossa elettrica, incendio e/o lesioni gravi.

**⚠ AVVERTENZA!** L'unità motore da 56 V PH1400E è progettata per essere utilizzata esclusivamente con gli accessori EGO specificati in questo manuale o introdotti in seguito da EGO per l'uso con questa unità motore. L'uso di altri accessori non autorizzati comporta il rischio di danni e lesioni gravi.

**⚠ AVVERTENZA!** Non installare, rimuovere o regolare un accessorio quando l'unità motore è in funzione o con la batteria installata. In caso contrario, sussiste il rischio di lesioni gravi. **NON UTILIZZARE L'UNITÀ MOTORE SENZA UN ACCESSORIO.**

L'accessorio si collega all'unità motore tramite un dispositivo di raccordo.

1. Arrestare il motore e rimuovere il gruppo batteria.
2. Allentare la manopola di fissaggio.
3. Rimuovere il cappuccio terminale dell'accessorio. Allineare la freccia sull'asta dell'accessorio con la freccia sul raccordo e spingere l'asta dell'accessorio nel raccordo fino al "clic", che indica il corretto fissaggio dell'accessorio (Fig. B).

Descrizione delle parti in Fig. B:

B-1	Asta dell'accessorio	B-4	Freccia sul raccordo
B-2	Freccia sull'asta dell'accessorio	B-5	Pulsante di rilascio dell'albero
B-3	Manopola di fissaggio	B-6	Asta dell'unità motore

4. Tirare l'asta dell'accessorio per verificare che sia fissata saldamente nel raccordo. In caso contrario, ruotare l'asta dell'accessorio nel raccordo da una parte all'altra finché non si incastra in posizione.
5. Serrare la manopola di fissaggio.

**⚠ AVVERTENZA!** Accertarsi che la manopola di fissaggio sia serrata completamente prima di usare l'apparecchio; controllare periodicamente che sia serrata durante l'uso per evitare lesioni gravi.

### RIMOZIONE DELL'ACCESSORIO DALL'UNITÀ MOTORE

1. Arrestare il motore e rimuovere il gruppo batteria.
2. Allentare la manopola di fissaggio.
3. Tenere premuto il pulsante di rilascio dell'asta ed estrarre l'asta dell'accessorio tirandola o ruotandola.

### INSTALLAZIONE E REGOLAZIONE DELL'IMPUGNATURA ANTERIORE

1. Arrestare il motore e rimuovere il gruppo batteria, se installato.
2. Allentare il dado a farfalla per separare l'impugnatura anteriore regolabile (Fig. C).

Descrizione delle parti in Fig. C:

C-1	Perno di bloccaggio	C-3	Impugnatura anteriore con barra di protezione
C-2	Morsetto	C-4	Dado a farfalla

- Spingere l'impugnatura anteriore sull'asta, tra l'anello limitatore e il raccordo (Fig. D).
- Inserire il morsetto nella fessura dell'impugnatura (Fig. E).
- Inserire il perno di bloccaggio e serrarlo leggermente con il dado a farfalla. Accertarsi che l'impugnatura anteriore sia ruotata verso l'alto e rivolta verso la parte superiore dell'impugnatura posteriore (Fig. F).
- Regolare la posizione dell'impugnatura anteriore tra l'anello limitatore e il raccordo affinché il proprio braccio anteriore sia dritto durante l'uso (Fig. G).

Descrizione delle parti in Fig. G:

G-1	Freccia	G-2	Intervallo limite
-----	---------	-----	-------------------

- Quindi bloccare la leva del perno di bloccaggio (Fig. H).

**AVVERTENZA!** Non usare l'apparecchio se l'impugnatura anteriore non è posizionata saldamente.

**AVVERTENZA!** Fissare l'impugnatura anteriore esclusivamente tra l'anello limitatore e il raccordo.

### INSTALLAZIONE DELLA TRACOLLA

Premere il gancio della tracolla per aprirlo e fissarlo all'apposito supporto sull'unità motore (Fig. I).

## FUNZIONAMENTO

**AVVERTENZA!** La familiarità con questo apparecchio non deve rendere l'operatore disattento. Anche un solo momento di disattenzione comporta il rischio di lesioni gravi.

**AVVERTENZA!** Indossare sempre occhiali di protezione. Il mancato rispetto di questa istruzione comporta il rischio di oggetti proiettati verso gli occhi dell'operatore e altre lesioni gravi.

**AVVERTENZA!** Non usare accessori non raccomandati dal costruttore dell'apparecchio. L'uso di accessori non raccomandati comporta il rischio di lesioni gravi.

**AVVERTENZA! NON UTILIZZARE L'UNITÀ MOTORE SENZA UN ACCESSORIO.**

### INSTALLARE/RIMUOVERE IL GRUPPO BATTERIA

**NOTA:** ricaricare completamente il gruppo batteria prima del primo utilizzo.

### Installazione

Allineare i rilievi sul gruppo batteria con le scanalature di assemblaggio e premere il gruppo batteria fino al "clic" (Fig. J)

Descrizione delle parti in Fig. J:

J-1	Scanalatura di assemblaggio
J-2	Rilievo

### Rimozione

Premere il pulsante di rilascio della batteria ed estrarre il gruppo batteria (Fig. K).

**AVVERTENZA!** Per evitare lesioni gravi, rimuovere sempre il gruppo batteria e tenere le mani lontane dal pulsante di sbloccaggio e dall'interruttore a grilletto durante il trasporto dell'apparecchio.

### AVVIO/ARRESTO DELL'UNITÀ MOTORE (Fig. L)

#### Avvio

Tenere premuto il pulsante di sbloccaggio. Premere l'interruttore a grilletto per avviare l'unità motore. La velocità di rotazione dell'unità motore dipende dalla pressione esercitata sull'interruttore a grilletto. Maggiore è la pressione, maggiore è la velocità.

#### Arresto

Rilasciare l'interruttore a grilletto.

**NOTA:** il motore entrerà in funzione esclusivamente quando la leva di sbloccaggio e l'interruttore a grilletto sono premuti contemporaneamente.

### Funzione di regolazione della velocità (Fig. L)

L'apparecchio dispone di due velocità: la posizione "1" corrisponde alla bassa velocità mentre la posizione "2" corrisponde all'alta velocità. Spostare l'interruttore di velocità alta/bassa per selezionare la velocità adatta durante l'uso.

Descrizione delle parti in Fig. L:

L-1	Interruttore di velocità alta/bassa
L-2	Pulsante di sbloccaggio
L-3	Interruttore a grilletto

IT

## MANUTENZIONE

**⚠ AVVERTENZA!** Prima di ispezionare, pulire o regolare l'unità, arrestare il motore, attendere che tutte le parti mobili si arrestino e rimuovere il gruppo batteria. Il mancato rispetto di questa avvertenza comporta il rischio di danni o lesioni gravi.

**⚠ AVVERTENZA!** Per la riparazione dell'apparecchio, usare esclusivamente parti di ricambio identiche. Ispezionare l'apparecchio ed effettuare la manutenzione regolarmente. Per garantire sicurezza e affidabilità, tutte le riparazioni e sostituzioni devono essere eseguite da un tecnico qualificato.

**ATTENZIONE!** Prima di ogni utilizzo, ispezionare l'intero apparecchio per verificare che nessun componente sia mancante, danneggiato o allentato, ad esempio viti, dadi, bulloni, tappi, ecc. Serrare saldamente tutti i dispositivi di fissaggio e le coperture e non usare l'apparecchio finché tutti componenti mancanti o danneggiati non vengono sostituiti. Contattare il servizio clienti o un tecnico qualificato.

### MANUTENZIONE GENERALE

Evitare l'uso di solventi durante la pulizia delle parti in plastica. La maggior parte dei materiali plastici può essere danneggiata da diversi tipi di solventi in commercio. Usare un panno pulito per rimuovere sporcizia, polvere, olio, grasso, ecc.

### PULIZIA DELL'UNITÀ MOTORE

1. Arrestare il motore e rimuovere il gruppo batteria.
2. Rimuovere sporcizia e detriti dall'unità motore usando un panno inumidito con del detergente neutro.

**ATTENZIONE!** Non usare detersivi aggressivi sulle superfici esterne in plastica o sull'impugnatura perché possono essere danneggiate da alcuni oli aromatici, come pino e limone.

### CONSERVAZIONE DELL'UNITÀ MOTORE

1. Rimuovere il gruppo batteria dall'unità motore prima di riparla.
2. Rimuovere tutti i materiali estranei dall'unità motore.
3. Conservarla in un luogo inaccessibile ai bambini.
4. Tenerla al riparo da agenti corrosivi, ad esempio sostanze chimiche per il giardinaggio e sale per disgelo.

## Protezione dell'ambiente



Non smaltire gli apparecchi elettrici, caricabatteria e batterie/batterie ricaricabili insieme ai rifiuti indifferenziati!

Conformemente alle direttive europee 2012/19/EU e 2006/66/CE, i rifiuti di apparecchiature elettriche ed elettroniche, pile e accumulatori devono essere raccolti separatamente e smaltiti nel rispetto dell'ambiente.

Se gli apparecchi elettrici vengono smaltiti nelle discariche, le sostanze pericolose possono infiltrarsi nelle falde acquifere e contaminare la catena alimentare, con effetti dannosi sulla salute e il benessere.

## RISOLUZIONE DEI PROBLEMI

Consultare il manuale di istruzioni dell'accessorio applicabile.

## GARANZIA

### CONDIZIONI DELLA GARANZIA EGO

Visitare il sito web [egopowerplus.com](http://egopowerplus.com) per consultare le condizioni complete della garanzia EGO.

01/12/2016



## LEES ALLE INSTRUCTIES!



### LEES DE GEBRUIKERSHANDLEIDING

**⚠ Restriscio!** Personen met elektronische apparaten, zoals pacemakers, moeten eerst hun art(sen) raadplegen voordat ze dit product mogen gebruiken. De werking van een elektrisch apparaat in de nabijheid van een pacemaker kan een storing of defect aan de pacemaker veroorzaken.

**⚠ WAARSCHUWING:** Om een continue veiligheid en betrouwbaarheid te waarborgen, dienen alle reparaties en vervangingen van onderdelen uitgevoerd te worden door een vakbekwame reparateur.

## VEILIGHEIDSSYMBOLEN

Het doel van de veiligheidssymbolen is om u te wijzen op mogelijke gevaren. Besteed daarom voldoende aandacht hieraan en begrijp de veiligheidssymbolen en bijbehorende uitleg. De symboolwaarschuwingen op zich elimineren geen enkel gevaar. De gegeven instructies en waarschuwingen gelden niet als vervanging voor gepaste voorzorgsmaatregelen tegen ongevallen.

**⚠ WAARSCHUWING:** Lees en begrijp alle veiligheidsinstructies die in deze gebruikershandleiding zijn vermeld, waaronder alle veiligheidssymbolen zoals “GEVAAR”, “WAARSCHUWING”, en “OPGELET” voordat u dit apparaat in gebruik neemt. Het negeren van onderstaande instructies kan leiden tot elektrische schokken, brand en/of ernstig persoonlijk letsel.

## BETEKENIS VAN DE SYMBOLEN

**⚠ WAARSCHUWINGSSYMBOL:** Geeft **GEVAAR**, **WAARSCHUWING** of **OPGELET** aan. Kan worden gebruikt in combinatie met andere symbolen of pictogrammen.



**⚠ WAARSCHUWING:** De werking van het apparaat kan leiden tot het rondslingeren van (vreemde) objecten die in uw ogen kunnen terecht komen. Dit kan leiden tot ernstig oogletsel. Wanneer u elektrische apparaten gebruikt, zorg er dan voor dat u altijd een veiligheidsbril (met zijschermen) of een gelaatsscherm draagt. We bevelen aan om een gelaatsscherm over uw bril of standaard veiligheidsbril met zijschermen te gebruiken.

## VEILIGHEIDSVORSCHRIFTEN

Deze pagina toont en beschrijft alle veiligheidssymbolen die zich op dit product kunnen bevinden. Lees, begrijp en volg alle instructies op de machine voordat u deze in elkaar zet en gebruikt.

	Veiligheidswaarschuwing	Geeft een risico op persoonlijk letsel aan.
	Lees de gebruikershandleiding	De gebruiker dient de gebruikershandleiding voor het gebruik van dit product te lezen en te begrijpen om risico op letsel te beperken.
	Draag oogbescherming	Draag altijd een veiligheidsbril met zijschermen en een gelaatsscherm als u dit product gebruikt.
	CE	Dit product is in overeenstemming met de EG-richtlijnen.
	WEEE	Gooi elektrisch afval niet via het huishoudelijk afval weg. Breng het naar een geautoriseerd recyclingbedrijf.
	Niet aan regen blootstellen	Gebruik het apparaat niet in de regen en laat het tevens niet buiten achter als het regent.
V	Volt	Spanning
mm	Millimeter	Lengte of afmeting
cm	Centimeter	Lengte of afmeting
in.	Inch	Lengte of afmeting
kg	Kilogram	Gewicht
lb	Pound	Gewicht
	Gelijkstroom	Stroomtype of -karakteristiek

NL

## ALGEMENE VEILIGHEIDSWAARSCHUWINGEN VOOR ELEKTRISCH GEREEDSCHAP

**⚠ WAARSCHUWING:** Lees alle veiligheidswaarschuwingen en instructies zorgvuldig door. Het negeren van de waarschuwingen en instructies kan leiden tot elektrische schokken, brand en/of ernstig letsel.

**Bewaar alle waarschuwingen en instructies voor latere raadpleging.**

De term "elektrisch gereedschap" in de waarschuwingen verwijst naar uw op het voedingsnet aangedreven (met snoer) handgereedschap of accu-aangedreven (snoerloos) handgereedschap.

NL

## VEILIGHEID OP DE WERKPLAATS

- **Houd uw werkplaats schoon en goed verlicht.** Rommelige of donkere ruimten kunnen ongevallen veroorzaken.
- **Gebruik elektrisch gereedschap niet in explosieve omgevingen, zoals in de aanwezigheid van ontvlambare vloeistoffen, gassen of stof.** Handgereedschap creëert vonken en deze kunnen stof of dampen in brand steken.
- **Houd kinderen en omstanders uit de buurt wanneer u een elektrisch gereedschap bedient.** Afleiding kan tot controleverlies leiden.

## ELEKTRISCHE VEILIGHEID

- **De stekker van het elektrisch gereedschap moet met het stopcontact overeenstemmen. Pas de stekker op geen enkele manier aan. Gebruik geen adapterstekker met geaard elektrisch gereedschap.** Niet aangepaste stekkers en overeenkomstige stopcontacten beperken het risico op elektrische schokken.
- **Vermijd lichaamscontact met geaarde oppervlakken, zoals pijpleidingen, radiatoren, fornuizen of koelkasten.** Het risico op een elektrische schok is groter als uw lichaam geaard is.
- **Stel elektrisch gereedschap niet bloot aan regen of vochtige omstandigheden.** Water dat elektrisch gereedschap binnendringt, vergroot het risico op elektrische schokken.
- **Gebruik het snoer niet op een verkeerde manier. Gebruik het snoer nooit om het elektrisch gereedschap te dragen of mee te trekken of om de stekker uit het stopcontact te halen. Houd het snoer uit de buurt van hitte, olie, scherpe randen en bewegende onderdelen.** Beschadigde of verstrikte snoeren vergroten het risico op elektrische schokken.

- **Wanneer u een elektrisch gereedschap buitenshuis bedient, gebruik een verlengsnoer dat voor gebruik buitenshuis is geschikt.** Het gebruik van een snoer dat voor gebruik buitenshuis geschikt is, verkleint het risico op elektrische schokken.
- **Als het gebruik van elektrisch gereedschap in een vochtige ruimte noodzakelijk is, gebruik dan een verliesstroomautomaat.** Het gebruik van een verliesstroomautomaat vermindert het risico op elektrische schokken.

## PERSOONLIJKE VEILIGHEID

- **Wees waakzaam, let op wat u doet en gebruik uw gezond verstand wanneer u elektrisch gereedschap gebruikt. Gebruik het elektrisch gereedschap niet als u moe bent of onder de invloed bent van drugs, alcohol of medicijnen.** Een moment van onoplettendheid tijdens de werking van het elektrisch gereedschap kan leiden tot ernstig persoonlijk letsel.
- **Gebruik persoonlijke beschermingsuitrusting. Draag altijd oogbescherming.** Beschermingsuitrusting zoals een stofmasker, slipvaste werkschoenen, veiligheidshelm of gehoorbescherming afhankelijk van de aard en het gebruik van het gereedschap verkleint het risico op persoonlijk letsel.
- **Vermijd dat het gereedschap per ongeluk wordt gestart. Zorg dat de schakelaar op de positie Uit is ingesteld voordat u het gereedschap op een stroombron en/of accupack aansluit, vastneemt of draagt.** Het dragen van elektrisch gereedschap met uw vinger op de schakelaar of gereedschap ingeschakeld op de stroomvoorziening aansluiten kan ongevallen veroorzaken.
- **Verwijder instelsleutels of moersleutels voordat u het elektrisch gereedschap inschakelt.** Een instelsleutel of moersleutel in een draaiend deel van het elektrisch gereedschap achterlaten kan leiden tot persoonlijk letsel.
- **Reik niet te ver. Zorg er altijd voor dat u stevig en stabiel staat.** Dit zorgt ervoor dat u het elektrisch gereedschap in onverwachte situaties beter onder controle kunt houden.
- **Draag passende kleding. Draag geen los hangende kleding of juwelen. Houd uw haar, kleding en handschoenen uit de buurt van bewegende onderdelen.** Los hangende kleding, juwelen en lang haar kunnen in bewegende onderdelen verstrikt raken.
- **Wanneer de montage van stofafzuigings- of stofopvangvoorzieningen mogelijk is, dient u ervoor te zorgen dat deze juist aangesloten en gebruikt worden.** Het gebruik van voorzieningen voor stofopvang kan helpen om het risico in verband met stof te verlagen.

## ELEKTRISCH GEREEDSCHAP GEBRUIKEN EN ONDERHOUDEN

- **Overbelast het elektrisch gereedschap niet. Gebruik het juiste elektrisch gereedschap voor uw toepassing.** Met het juiste elektrisch gereedschap werkt u beter en veiliger binnen het aangegeven capaciteitsbereik.
- **Gebruik het elektrisch gereedschap niet als de schakelaar niet kan worden in- en uitgeschakeld.** Elektrisch gereedschap dat niet kan worden in- of uitgeschakeld is gevaarlijk en moet worden gerepareerd.
- **Trek de stekker uit het stopcontact en/of ontkoppel het accupack voordat u het elektrisch gereedschap instelt, accessoires vervangt of het gereedschap opbergt.** Deze preventieve voorzorgsmaatregelen beperken het risico op onbedoeld starten van het elektrisch gereedschap.
- **Berg niet-gebruikt gereedschap op buiten het bereik van kinderen en zorg ervoor dat personen die niet vertrouwd zijn met het gereedschap of die deze instructies niet hebben gelezen het gereedschap niet gebruiken.** Elektrisch gereedschap is gevaarlijk wanneer deze door onervaren personen worden gebruikt.
- **Draag goed zorg voor uw elektrisch gereedschap. Controleer of de bewegende onderdelen correct functioneren en niet vastklemmen en of de onderdelen zodanig gebroken of beschadigd zijn dat de werking van het elektrisch gereedschap nadelig wordt beïnvloed. Laat beschadigde onderdelen repareren voordat u het elektrisch gereedschap gebruikt.** Vele ongevallen worden veroorzaakt door slecht onderhouden elektrisch gereedschap.
- **Houd de snij-onderdelen scherp en schoon.** Zorgvuldig onderhouden snij-onderdelen met scherpe snijkanten klemmen minder snel vast en zijn gemakkelijker te bedienen.
- **Gebruik het elektrisch gereedschap, accessoires en inzetgereedschappen etc. in overeenstemming met deze instructies en houd rekening met de werkomstandigheden en de uit te voeren werkzaamheden.** Het gebruik van elektrische gereedschap voor andere dan de voorziene toepassingen kan tot gevaarlijke situaties leiden.
- **Deze 56V motorkop PH1400E kan alleen worden gebruikt met de volgende EGO toebehoren:**

TOEBEHOOR TYPE	MODELNUMMER
Kantensnijder	EA0800
Bosmaaier	BCA1200
Trimmer	STA1500
Zaag met paal	PSA1000
Heggenschaar met paal	HTA2000

## ACCUGEREEDSCHAP GEBRUIKEN EN ONDERHOUDEN

- **Laad alleen op met de lader die door de fabrikant is gespecificeerd.** Een lader die geschikt is voor één type van accupack kan tot brandgevaar leiden wanneer gebruikt met een andere accupack.
- **Gebruik elektrisch gereedschap alleen met specifiek aangegeven accupacks uit de onderstaande lijst.** Het gebruik van andere accupacks kan risico op letsel en brandgevaar veroorzaken.

BATTERIJ	LADER
BA1120E, BA2240E, BA2800, BA3360, BA4200 (BA3360 & BA4200 zijn niet van toepassing als het bosmaaier-toebehoren is gemonteerd)	CH5500E, CH2100E

- **Wanneer u het accupak niet gebruikt, houd het uit de buurt van andere metalen voorwerpen zoals paperclips, muntstukken, sleutels, spijkers, schroeven of andere kleine metalen voorwerpen die de twee aansluitklemmen kunnen verbinden.** Het kortsluiten van de aansluitklemmen van de accu kan brandwonden of brand veroorzaken.
- **Bij verkeerd gebruik kan er vloeistof uit de accu worden gespoten; vermijd elk contact. Als aanraking met de vloeistof toevallig plaatsvindt, dient u het met water af te spoelen. Als de vloeistof in de ogen komt dient u onmiddellijk een arts te consulteren.** Vloeistof dat uit de accu wordt gespoten kan irritaties of brandwonden veroorzaken.

## REPARATIES

- **Laat uw elektrisch gereedschap repareren door een gekwalificeerde reparateur en alleen met identieke reserve-onderdelen.** Dit waarborgt de veiligheid van het elektrisch gereedschap.
- **Als er zich situaties voordoen die niet in deze handleiding zijn behandeld, gebruik uw gezond verstand. Neem contact op met het EGO servicecentrum voor bijstand.**

## BEWAAR DEZE GEBRUIKSAANWIJZING!

## AANVULLENDE SPECIFIEKE VEILIGHEIDSinSTRUCTIES VINDT U IN DE DESBETREFFENDE GEBRUIKSAANWIJZING

NL

## SPECIFICATIES

Spanning	56 V ---
Gewicht (zonder accupack)	2,73 kg

## INHOUD VAN DE VERPAKKING

NAAM ONDERDEEL	AANTAL
Motorkop	1
Aanpasbare voorste handvat	1
Schouderriem	1
Gebruikershandleiding	1

NL

## BESCHRIJVING

### KEN UW MOTORKOP (afb. A)

1. Luchtuitlaat
2. Luchtinlaat
3. Achterste handvat
4. Vergrendelknop
5. Hoog-/laag snelheidsschakelaar
6. Grensring
7. Aanpasbare voorste handvat
8. Koppeling
9. Asvrijgaveknop
10. Knevel
11. Handgreep
12. Schakelaar
13. Accuvrijgaveknop
14. Rubberen protector
15. Vergrendeling
16. Elektrische contacten
17. Uitwerpmechanisme
18. Schouderriem (speciaal toebehoor)

## MONTAGE

**⚠ WAARSCHUWING:** Als er onderdelen beschadigd zijn of ontbreken, gebruik dit product niet totdat alle onderdelen vervangen of aanwezig zijn. Dit product gebruiken met beschadigde of ontbrekende onderdelen kan ernstig persoonlijk letsel veroorzaken.

**⚠ WAARSCHUWING:** Verwijder altijd het accupack uit het product wanneer u onderdelen monteert, aanpassingen uitvoert, het product reinigt of wanneer het niet in gebruik is.

### INSTALLEREN VAN TOEBEHOREN AAN DE MOTORKOP

**⚠ WAARSCHUWING:** Lees en begrijp de hele gebruiksaanwijzing voor elk optioneel toebehoor dat met deze motorkop wordt gebruikt en neem alle waarschuwingen en instructies in acht. Het negeren van alle instructies kan leiden tot elektrische schokken, brand en/of ernstig persoonlijk letsel.

**⚠ WAARSCHUWING:** De 56V motorkop PH1400E is ontworpen om te worden gebruikt met EGO toebehoor dat wordt vermeld in de gebruiksaanwijzing of op een later tijdstip door EGO nog op de markt wordt gebracht voor deze motorkop. Het gebruik van ander, niet toegestane toebehoor kan ernstig persoonlijk letsel of materiële schade veroorzaken.

**⚠ WAARSCHUWING:** Installeer, verwijder of pas een toebehoor nooit aan terwijl de motorkop loopt of de accu is geïnstalleerd. Het niet stoppen van de draaiende motor of het niet verwijderen van de accu kan ernstig persoonlijk letsel veroorzaken. **GEBRUIK DE MOTORKOP NOOIT ZONDER TOEBEHOOR.**

Het toebehoor wordt met behulp van een koppeling vastgemaakt aan de motorkop.

1. Stop de motor en verwijder het accupack.
2. Maak de knevel los.
3. Verwijder de dop van het toebehoor. Breng de pijl van de toebehoorschacht in één lijn met de pijl op de koppeling en druk de toebehoorschacht in de koppeling totdat u een "klik" hoort, wat aangeeft dat de toebehoorschacht correct is gemonteerd (afb. B).

Afb. B beschrijving van de onderdelen zie beneden:

B-1	Toebehoorschacht	B-4	Pijl op de koppeling
B-2	Pijl op de toebehoorschacht	B-5	Schachtvrijgaveknop
B-3	Knevel	B-6	Motorkopschacht

4. Trek aan de schacht van het toebehoor om te controleren of deze correct is bevestigd op de koppeling. Indien dat niet het geval is, draait u de schacht van de ene naar de andere kant in de koppeling totdat deze vastklikt.
5. Bevestig de knevel correct.

**⚠ WAARSCHUWING:** Controleer of de knevel helemaal is vastgedraaid voordat u het apparaat in gebruik neemt; controleer regelmatig de bevestiging tijdens het gebruik om ernstig persoonlijk letsel te voorkomen.

### HET TOEBEHOOR VAN DE MOTORKOP VERWIJDEREN

1. Stop de motor en verwijder het accupack.
2. Maak de knevel los.
3. Druk de schachtvrijgaveknop, en met de knop ingedrukt trekt of draait u het toebehoor uit de koppeling.

### HET VOORSTE HANDVAT MONTEREN EN AANPASSEN

1. Stop de motor en verwijder het accupack, indien gemonteerd.
2. Maak de vleugelmoer los om het aanpasbare voorste handvat te verwijderen (afb. C).

Afb. C beschrijving van de onderdelen zie beneden:

C-1	Vergrendelingsstang	C-3	Voorste ondersteunende handvat met handgreep
C-2	Klemblok	C-4	Vleugelmoer

3. Druk het voorste ondersteunende handvat tegen de schacht tussen de grensring en de koppeling (afb. D).
4. Steek het klemblok in de handvatsleuf (afb. E).
5. Bevestig de vergrendelingsstand en maak hem alvast vast met de vleugelmoer. Zorg ervoor dat het voorste ondersteunende handvat naar boven is gericht zodat het in richting van het achterste handvat wijst (afb. F).
6. Stel de positie van het voorste handvat tussen de grensring en de koppeling in om ervoor te zorgen dat de voorste arm recht is tijdens het gebruik (afb. G).

Afb. G beschrijving van de onderdelen zie beneden:

G-1	Pijl	G-2	Begrenzing
-----	------	-----	------------

7. Vergrendel de hendel om de stang te vergrendelen (afb. H).

**⚠ WAARSCHUWING:** Gebruik het gereedschap nooit zonder juist gemonteerd voorste ondersteunende handvat.

**⚠ WAARSCHUWING:** Bevestig het voorste ondersteunende handvat alleen tussen de grensring en de koppeling.

### DE SCHOUDERRIEM BEVESTIGEN

Druk de haak van de riem in om hem te openen en bevestig hem aan de schouderriem bevestiging aan de motorkop (afb. I).

### BEDIENING

**⚠ WAARSCHUWING:** Vertrouwdheid kan leiden tot onvoorzichtigheid. Opgelet, één seconde van onvoorzichtigheid kan ernstig letsel teweegbrengen.

**⚠ WAARSCHUWING:** Draag altijd oogbescherming. Het niet dragen van deze beschermingsuitrusting kan ertoe leiden dat voorwerpen in uw ogen terechtkomen of kan een ander ernstig letsel veroorzaken.

**⚠ WAARSCHUWING:** Gebruik geen opzetstukken of toebehoren die niet door de fabrikant van dit product zijn aanbevolen. Het gebruik van niet aanbevolen opzetstukken of toebehoren kan leiden tot ernstig persoonlijk letsel.

**⚠ WAARSCHUWING: GEBRUIK DE MOTORKOP NOOIT ZONDER TOEBEHOOR.**

### INSTALLEREN/VERWIJDEREN VAN HET ACCUPACK

**OPMERKING:** Laad het accupack voor ingebruikname volledig op.

#### Installeren

Breng de geleiders van de accu overeen met de montagesleuven en druk het accupack naar beneden totdat u "klik" hoort (afb. J).

Afb. J beschrijving van de onderdelen zie beneden:

J-1	Montagesleuf
J-2	Ribbel

#### Verwijderen

Druk de accu-ontgrendelingsknop naar beneden en trek het accupack eruit (afb. K).

**⚠ WAARSCHUWING:** Om ernstig persoonlijk letsel te voorkomen, dient u het accupack altijd te verwijderen en de handen buiten het bereik van de ontgrendelingsknop en inschakelknop te houden tijdens het dragen of transporteren van het gereedschap.

## DE MOTORKOP STARTEN/STOPPEN (afb. L)

### Starten

Druk de ontgrendelingsknop in en houd deze in positie. Druk de inschakelknop om de motorkop in te schakelen. Het veranderen van de druk op de schakelaar heeft een variabele rotatiesnelheid van de motorkop tot gevolg. Meer druk betekent een hogere snelheid.

### Stoppen

Laat de schakelaar los.

**OPMERKING:** De motor draait alleen wanneer de ontgrendelingshendel en trekker beiden gedrukt worden.

NL

### Functie voor het instellen van de snelheid (afb. L)

De motorkop bezit twee snelheden. Positie "1" is de lage snelheid terwijl positie "2" de hoge snelheid is. Druk of trek de hoge/lage snelheidsschakelaar om de geschikte snelheid uit te kiezen tijdens het gebruik.

Afb. L beschrijving van de onderdelen zie beneden:

L-1	Hoge/lage snelheidsschakelaar
L-2	Vergrendelknop
L-3	Schakelaar

## ONDERHOUD

**⚠ WAARSCHUWING:** Voor het inspecteren, reinigen of onderhouden van het apparaat dient u de motor te stoppen, te wachten totdat alle bewegende onderdelen tot stilstand zijn gekomen en het accupack te verwijderen. Het negeren van deze instructies kan ernstig persoonlijk letsel of materiële schade tot gevolg hebben.

**⚠ WAARSCHUWING:** Bij reparatie, gebruik uitsluitend identieke reserve-onderdelen. Controleer en onderhoud de machine regelmatig. Laat alle reparaties uitvoeren door een vakbekwame reparateur om een continue veiligheid en betrouwbaarheid te waarborgen.

**OPMERKING:** Voor elk gebruik, controleer het volledig product op beschadigde, ontbrekende of losse onderdelen zoals schroeven, moeren, bouten, etc. Maak alle bevestigingen en doppen stevig vast en gebruik dit product pas opnieuw eenmaal alle ontbrekende of beschadigde onderdelen zijn geplaatst. Neem alstublieft contact op met de klantenservice of een gekwalificeerde onderhoudsmonteur.

### ALGEMEEN ONDERHOUD

Maak de kunststof onderdelen niet schoon met oplosmiddelen. De meeste kunststoffen kunnen worden

beschadigd wanneer ze in contact komen met commerciële oplosmiddelen. Gebruik een schone doek voor het verwijderen van vuil, stof, olie, smeer, etc.

### REINIGEN VAN DE MOTORKOP

1. Stop de motor en verwijder het accupack.
2. Verwijder met behulp van een vochtig doekje en een mild reinigingsmiddel vuil en verontreinigingen van de motorkop.

**OPMERKING:** Maak de kunststof behuizing of handvat niet schoon met een agressief schoonmaakmiddel. Deze kunnen door bepaalde aromatische oliën, zoals pijnboom en citroen worden beschadigd.

### OPBERGEN VAN DE MOTORKOP

1. Verwijder het accupack van de motorkop alvorens deze op te bergen.
2. Reinig al het externe materiaal van de motorkop.
3. Berg binnenshuis op in een ruimte die voor kinderen ontoegankelijk is.
4. Houd uit de buurt van corrosieve middelen, zoals tuinchemicaliën en strooizout.

### Het milieu beschermen



Gooi geen elektrische apparaten, acculaders en accu's/oplaadbare batterijen met het huisafval weg! Elektrische en elektronische apparaten, in overeenstemming met de Europese wet 2012/19/EG, en defecte of verbruikte accupacks/batterijen, in overeenstemming met 2006/66/EG, moeten afzonderlijk worden ingezameld. Als elektrische apparaten op een stortterrein of vuilnisbelt terecht komen, kunnen gevaarlijke stoffen in het grondwater lekken en in de voedselketen komen wat schadelijk is voor uw gezondheid en welzijn.

## PROBLEEMOPLOSSING

Zie de gebruiksaanwijzing voor geschikt toebehoor.

## GARANTIE

### EGO GARANTIEVOORWAARDEN

Bezoek onze website [egopowerplus.com](http://egopowerplus.com) voor alle voorwaarden van de EGO garantie.

01/12/2016

## LÆS ALLE ANVISNINGER!



### LÆS BRUGANVISNING

**⚠ Særlig risiko!** Folk med elektroniske anordninger, såsom pacemakere, bør spørge deres læge til råds, før de bruger dette produkt. Betjening af elektrisk udstyr i umiddelbar nærhed af en pacemaker kan forårsage forstyrrelser eller svigt af pacemakeren.

**⚠ ADVARSEL:** For at sikre sikkerhed og pålidelighed, bør alle reparationer og udskiftninger udføres af en kvalificeret servicetekniker.

## SIKKERHEDSSYMBOLER

Formålet med sikkerhedssymboler er at gøre dig opmærksom på mulige farer. Du bør være meget opmærksom på sikkerhedssymbolerne og forklaringer til dem og lære at forstå dem. Symboladvarslere fjerner ikke i sig selv eventuelle farer. Anvisningerne og advarslerne er ingen erstatning for korrekte forebyggelsesforanstaltninger mod ulykker.

**⚠ ADVARSEL:** Sørg for at læse og forstå alle sikkerhedsanvisninger i denne brugsanvisning, inklusive alle sikkerhedssymboler, såsom "FARE", "ADVARSEL" og "FORSIGTIG", før du bruger dette værktøj. Hvis du ikke følger advarslere og anvisninger, kan det resultere i elektrisk stød, brand og/eller alvorlig personskade.

## SYMBOLBETYDNING

**⚠ SYMBOL FOR SIKKERHEDSVARSEL:** Angiver FARE, ADVARSEL eller FORSIGTIG. Kan anvendes i kombination med andre symboler eller piktogrammer.

**⚠ ADVARSEL:** Brugen af et elværktøj kan resultere i, at du får fremmedlegemer i øjnene, hvilket kan give alvorlige øjenskader. Inden du begynder at bruge et elværktøj, skal du altid bære beskyttelsesbriller eller sikkerhedsbriller med sidebeskyttelse og om nødvendigt en fuld ansigtsmaske. Vi anbefaler en maske med bredt udsyn til brug over briller eller standardsikkerhedsbriller med sidebeskyttelse.

## SIKKERHEDSANVISNINGER

Denne side viser og beskriver sikkerhedssymboler, der kan forekomme på dette produkt. Læs, forstå, og følg alle anvisninger på apparatet, før du forsøger at samle og betjene det.

	Sikkerhedsvarsel	Angiver en potentiel fare for personskade.
	Læs brugsanvisningen	For at nedsætte risikoen for personskade, skal brugeren læse og forstå brugsanvisningen, før dette produkt tages i brug.
	Bær beskyttelsesbriller	Bær altid beskyttelsesbriller eller sikkerhedsbriller med sidebeskyttelse og om nødvendigt en fuld ansigtsmaske.
	Det Europæiske Fællesskab	Dette produkt er i overensstemmelse med gældende EU-direktiver.
	WEEE	Affald fra elektriske produkter bør ikke bortskaffes sammen med husholdningsaffald. Bring det til en godkendt genbrugsplads.
	Må ikke udsættes for regn	Må ikke anvendes i regnvejr eller efterlades udendørs, mens det regner.
V	Volt	Spænding
mm	Millimeter	Længde eller størrelse
cm	Centimeter	Længde eller størrelse
in.	Tomme	Længde eller størrelse
kg	Kg	Vægt
lb	Pund	Vægt
	Jævnstrøm	Type af eller egenskab for strøm

DK

## GENERALLE SIKKERHEDSADVARSLER OM ELEKTRISKE APPARATER

**⚠ ADVARSEL:** Læs alle sikkerhedsadvarsler og instruktioner. Hvis advarslerne og instruktionerne ikke følges, kan det føre til elektrisk stød, brand og/eller alvorlige skader.

**Gem alle advarsler og instruktioner til fremtidig reference.**

Udtrykket "elværktøj" i advarslerne henviser til eldrevet (ledningsforbundet) og batteridrevet (ledningsfrit) elværktøj.

## SIKKERHED I ARBEJDSOMRÅDET

- **Sørg for, at arbejdsområdet er rent og godt belyst.** Et rodet eller mørkt område kan føre til ulykker.
- Elværktøjet må ikke bruges i **eksplosive miljøer**, såsom steder med **brændbare væsker, benzin eller støv**. Elværktøj kan slå gnister og antænde støv og dampe.
- **Hold børn og tilskuere på afstand, når et elværktøj er i brug.** Distraktioner kan få dig til at miste kontrollen.

## SIKKERHED OMKRING ELEKTRICITET

- **Stikket på elværktøjet skal passe i stikkontakten. Stikket må på ingen måde ændres. Jordforbundet elværktøj må ikke bruges med et adapterstik.** Uændrede stik, der passer til stikkontakterne, nedsætter risikoen for elektrisk stød.
- **Undgå kropskontakt med jordforbundne overflader, såsom rør, radiatorer, komfurer og køleskabe.** Der er en øget risiko for elektrisk stød, hvis din krop får jordforbindelse.
- **Elværktøj må ikke udsættes for regn eller våde forhold.** Hvis der kommer vand ind i et elværktøj, øges risikoen for elektrisk stød.
- **Ledningen må ikke mishandles. Brug aldrig ledningen til at bære eller trække elværktøjet eller til at trække stikket ud af stikkontakten. Hold ledningen væk fra varme, olie, skarpe kanter og bevægelige dele.** Beskadede eller sammenfildrede ledninger øger risikoen for elektrisk stød.
- **Når et elværktøj bruges udendørs, skal der bruges en forlængerledning, der er egnet til udendørs brug.** Brug af en egnet ledning til udendørs brug reducerer risikoen for elektrisk stød.
- **Hvis et elværktøj skal bruges på et fugtigt sted, skal du bruge en strømforsyning med et fejlstrømsrelæ.** Brug af et fejlstrømsrelæ reducerer risikoen for elektrisk stød.

## PERSONLIG SIKKERHED

- **Vær forsigtig, hold øje med hvad du laver, og brug din sunde fornuft, når du bruger et elværktøj. Brug ikke et elværktøj, hvis du er træt eller under indflydelse af narkotika, alkohol eller medicin.** Et øjeblikvis uopmærksomhed under arbejdet med elværktøj kan føre til alvorlige personskader.
- **Brug personlige værnemidler. Brug altid beskyttelsesbriller.** Værnemidler, såsom støvmaske, skridsikre sikkerhedssko, hjelm og høreværn, der bruges under relevante forhold, reducerer risikoen for personskader.
- **Undgå, at apparatet startes ved et uheld. Sørg for, at tænd/sluk-knappen er slukket, inden apparatet sluttes til strømkilden eller batteripakken, samt inden det løftes op eller bæres rundt.** Hvis elværktøj bæres med fingeren på tænd/sluk-knappen, eller oplades med tænd/sluk-knappen tændt, øges risikoen for ulykker.
- **Fjern indstillingsværktøj eller skruenøgler, før elværktøjet startes.** En skruenøgle eller andet, der sidder i en roterende del af elværktøjet, kan give personskade.
- **Undgå at række for langt ud. Sørg for at stå ordentligt fast og i god balance.** Dette giver bedre kontrol over elværktøjet i uventede situationer.
- **Brug det rigtige tøj. Bær ikke løst tøj eller smykker. Hold dit hår, tøj og handsker fra bevægelige dele.** Løstsiddende tøj, smykker eller langt hår kan komme i klemme i bevægelige dele.
- **Hvis der monteres tilbehør til opsamling af støv eller andet, skal det sikres, at disse monteres og bruges korrekt.** Anvendelse af støvanordninger kan mindske støvrelaterede risici.

## BRUG OG PLEJE AF ELVÆRKTØJET

- **Elværktøjet må ikke tvinges under brug. Brug det rigtige elværktøj til formålet.** Det korrekte elværktøj gør arbejdet bedre og er mere sikkert ved den effekt, det er beregnet til.
- **Brug ikke elværktøjet, hvis kontakten ikke kan tænde og slukke.** Alt elværktøj, hvor kontakterne ikke dur, er farligt og skal repareres.
- **Træk stikket til apparatets strømforsyning ud af stikkontakten og/eller fjern batteripakken, inden du foretager justeringer, skifter tilbehør eller lægger elværktøjet til opbevaring.** Sådanne forebyggende sikkerhedsforanstaltninger mindsker risikoen for at starte elværktøjet utilsigtet.



- **Opbevar ubenyttet elværktøj utilgængeligt for børn, og tillad ikke personer, der ikke kender elværktøjet eller disse anvisninger, at benytte elværktøjet.**

Elværktøj er farligt i hænderne på brugere, der ikke kender dets rette brug.

- **Vedligeholdelse af elværktøj. Sørg for at bevægelige dele passer sammen og ikke binder, at der ikke er defekte dele eller andet, der kan påvirke elværktøjets drift. Hvis elværktøjet beskadiges, skal det repareres før brug.** Mange ulykker skyldes dårligt vedligeholdt elværktøj.
- **Sørg for at holde skæreværktøjer skarpe og rene.** Skæreværktøjer med skarpe kanter, der vedligeholdes ordentligt, er mindre tilbøjelige til at binde og er lettere at styre.
- **Elværktøj, tilbehør og bits osv. skal bruges i overensstemmelse med disse instruktioner under hensyntagen til arbejdsforholdene og arbejdet, der skal udføres.** Hvis elværktøjet bruges til andet end det, som det er beregnet til, kan det føre til farlige situationer.
- **Denne 56 V motordel PH1400E må kun anvendes sammen med følgende tilbehør fra EGO:**

TILBEHØRSTYPE	MODELNUMMER
Kantskærer	EA0800
Buskrydder	BCA1200
Græstrimmer	STA1500
Stangsav	PSA1000
Hækkeklipperforlænger	HTA2000

#### BATTERIVÆRKTØJETS BRUG OG PLEJE

- **Genoplad kun med den oplader, der er angivet af fabrikanten.** En oplader, der er velegnet til én type batteripakke, kan øge risikoen for brand, når den bruges med en anden batteripakke.
- **Elværktøj må kun bruges med de batteripakker, der er anført nedenfor.** Hvis der bruges andre batteripakker, kan det føre til skader eller brand.

BATTERI	OPLADER
BA1120E, BA2240E, BA2800, BA3360, BA4200 (BA3360 & BA4200 kan ikke bruges, når buskrydderen er sat på)	CH5500E, CH2100E

- **Når batteripakken ikke er i brug, skal den holdes væk fra andre metalgenstande, såsom papirclips, mønter, nøgler, søm, skruer eller andre små metalgenstande, der kan kortslutte polerne.** Hvis batteripolerne kortsluttes, kan det føre til forbrændinger eller brand.

- **Ved forkert anvendelse kan der slippe væske ud af batteriet: Undgå kontakt. Kommer man uheldigvis i kontakt med væsken: Skyl med vand. Hvis væsken kommer i øjnene, skal man også søge læge.**

Væskesprøjt fra batteriet kan forårsage irritation eller forbrændinger.

#### SERVICE

- **Dit elværktøj skal repareres af en kvalificeret person, og der må kun bruges identiske reservedele.** På denne måde sørger man for, at elværktøjet forbliver sikkert at bruge.
- Ved situationer, der ikke er dækket i denne vejledning: Vær forsigtig og arbejd med omtanke. Kontakt EGO's servicecenter for at få hjælp.

#### GEM DISSE ANVISNINGER!

**YDERLIGERE SPECIFIKKE SIKKERHEDSREGLER KAN FINDES I BRUGSANVISNINGEN TIL DET PÅGÆLDENDE TILBEHØR**

DK

#### SPECIFIKATIONER

Spænding	56 V ---
Vægt (uden batteripakke)	2,73 kg

#### PAKKELISTE

DELENS NAVN	ANTAL
Motordel	1
Justérbart forreste hjælpehåndtag	1
Skulderrem	1
Operator's Manual	1

## BESKRIVELSE

### KEND DIN MOTORDEL (fig. A)

1. Luftudgang
2. Luftindtag
3. Bageste håndtag
4. Låseknop
5. Vælger for høj/lav hastighed
6. Spærring
7. justerbart forreste hjælpehåndtag
8. Koblingsstykke
9. Knap til frigørelse af skaft
10. Vingegreb
11. Afstandsstykke
12. Startknop
13. Udløserknop Til Batteri
14. Gummibeskyttere
15. Spærre
16. Elektriske Kontakter
17. Frigørelsesmekanisme
18. Skulderrem (ekstraudstyr)

DK

## MONTERING

**⚠ ADVARSEL:** Hvis der er dele, der er beskadigede eller mangler, anvendes apparatet ikke, før delene er udskiftet. Brug af dette produkt med beskadigede eller manglende dele kan medføre alvorlig personskade.

**⚠ ADVARSEL:** Fjern altid batteriet fra produktet, når du monterer dele, foretager justeringer, ved rengøring, eller når det ikke bruges.

### MONTERING AF TILBEHØR PÅ MOTORDELEN

**⚠ ADVARSEL:** Læs og forstå hele brugsanvisningen for hvert ekstra stykke tilbehør, der anvendes med denne motordel, og følg alle advarsler og instruktioner. Hvis du ikke følger alle anvisninger nedenfor, kan det medføre elektrisk stød, brand og/eller alvorlig personskade.

**⚠ ADVARSEL:** Denne 56V motordel PH1400E er designet til kun at blive brugt med tilbehørsmodeller fra EGO, der er angivet i denne brugsanvisning eller efterfølgende er lanceret af EGO til brug med denne motordel. Brug af andet tilbehør, der ikke er godkendt, kan forårsage alvorlige personskader eller materielle skader.

**⚠ ADVARSEL:** Tilbehør må aldrig installeres, fjernes eller tilpasses, mens motordelen kører eller med batteriet isat. Motoren skal standses og batteriet skal fjernes, da der ellers kan ske alvorlige personskader. **BRUG ALDRIG MOTORDELEN UDEN TILBEHØR MONTERET.**

Tilbehøret sættes på motordelen ved hjælp af et koblingsstykke.

1. Stop motoren, og fjern batteripakken.
2. Løsn vingegrebet.
3. Fjern endedækslet på tilbehøret. Flugt pilen på tilbehørets skaft med pilen på koblingsstykket, og skub tilbehøret ind i koblingsstykket, indtil du hører et "klik", der indikerer, at tilbehørets skaft er på plads (fig. B).

Beskrivelse af dele i fig. B, se nedenfor:

B-1	Tilbehørets skaft	B-4	Pil på koblingsstykkets skaft
B-2	Pil på tilbehørets skaft	B-5	Knap til frigørelse af skaft
B-3	Vingegreb	B-6	Motordelens skaft

4. Træk i skaftet på tilbehøret for at kontrollere, at det sidder fast i koblingsstykket. Hvis ikke, drej skaftet på tilbehøret fra side til side i koblingsstykket, indtil det klikker på plads.
5. Spænd vingegrebet til.

**⚠ ADVARSEL:** Sørg for, at vingegrebet er spændt godt til, inden du betjener udstyret; tjek jævnligt under brug, at det er spændt til for at undgå alvorlig personskade.

### AFTAGNING AF TILBEHØRET PÅ MOTORDELEN

1. Stop motoren, og fjern batteripakken.
2. Løsn vingegrebet.
3. Tryk på knappen til frigørelse af skaftet. Med knappen trykket ned trækkes eller drejes tilbehøret ud af koblingsstykket.

### MONTERING OG JUSTERING AF FORRESTE HJÆLPEHÅNDTAG

1. Stop motoren, og fjern batteripakken, hvis den er isat.
2. Løsn fløjmetrikken for at adskille det justerbare forreste hjælpehåndtag (fig. C).

Beskrivelse af dele i fig. C, se nedenfor:

C-1	Låsebøjle	C-3	Forreste hjælpehåndtag med afstandsstykke
C-2	Klemmeklods	C-4	Fløjmotrik

- Skub det forreste hjælpehåndtag ind på skaffet mellem spærreringen og koblingsstykket (fig. D).
- Indsæt klemmeklods i noten i håndtaget (fig. E).
- Montér låsebøjlen, og spænd let til med fløjmotrikken. Sørg for at forreste hjælpehåndtag vender opad og peger mod toppen af det bagerste håndtag (fig. F).
- Endelig justeres forreste hjælpehåndtag mellem spærreringen og koblingsstykket, så din forreste arm er strakt, når du arbejder (fig. G).

Beskrivelse af dele i fig. G, se nedenfor:

G-1	Pil	G-2	Grænseområde
-----	-----	-----	--------------

- Lock the lever of the lock pole (Fig. H).

**⚠ ADVARSEL:** Brug aldrig værktøjet uden forreste hjælpehåndtag solidt monteret.

**⚠ ADVARSEL:** Forreste hjælpehåndtag må kun monteres mellem spærreringen og koblingsstykket.

### MONTERING AF SKULDERSTROP

Tryk på remmens krog for at åbne den, og fastgør den på hagen til montering af skulderrem på motordelen (fig. I).

## BETJENING

**⚠ ADVARSEL:** Selvom du kender dette produkt, så bliv ikke skødesløs. Husk, at skødesløshed i en brøkdæl af et sekund kan forvolde betydelig personskade.

**⚠ ADVARSEL:** Brug altid beskyttelsesbriller. Hvis du ikke gør, kan du få genstande slynget i øjnene, og der kan også opstå andre skader.

**⚠ ADVARSEL:** Anvend ikke tilbehør eller påmonteringer, der ikke anbefales af fabrikanten af dette produkt. Brug af tilbehør eller påmonteringer, der ikke anbefales, kan forårsage alvorlig personskade.

**⚠ ADVARSEL: BRUG ALDRIG MOTORDELEN UDEN TILBEHØR MONTERET.**

## INSTALLATION / FJERNELSE AF BATTERIPAKKE

**BEMÆRK:** Oplad batteriet helt før første brug.

### Montering

Sørg for at ribberne i hver side batteripakken passer med monteringsnoterne i batterirummet, og tryk batteripakken ned, indtil du hører et "klik" (fig. J).

Beskrivelse af dele i fig. J, se nedenfor:

J-1	Monteringsnot
J-2	Ribbe

### Afmontering

Tryk på knappen til batteriudløseren, og træk batteripakken ud (fig. K).

**⚠ ADVARSEL:** For at undgå alvorlig personskade skal du altid fjerne batteripakken og ikke røre låseknap og startknap, når du bærer eller transporterer værktøjet.

DK

## START / STOP AF MOTORDELEN (fig. L)

### Start

Tryk ned på låseknapen, og hold den i denne stilling. Tryk på startknappen for at tænde motordelen. Forskellige tryk på startknappen giver forskellige rotationshastigheder for motordelen. Jo større tryk, jo højere hastighed.

### Stop

Slip startknappen.

**BEMÆRK:** Motoren kører kun, når låsehåndtaget og startknappen begge er trykket ned.

### Hastighedsjustering (fig. L)

Motordelen har to hastigheder. Stilling "1" er lav hastighed, stilling "2" er høj hastighed. Skub til eller træk i vælgeren for høj/lav hastighed for at vælge den egnede driftshastighed.

Beskrivelse af dele i fig. L, se nedenfor:

L-1	Vælger for høj/lav hastighed
L-2	Låseknap
L-3	Startknap

## VEDLIGEHOLDELSE

**⚠ ADVARSEL:** Før eftersyn, rengøring eller service på enheden standses motoren. Vent til alle bevægelige dele er standset, og fjern batteripakken. Efterkommes disse anvisninger ikke, kan det medføre alvorlig personskade eller materielle skader.

**⚠ ADVARSEL:** Ved service må der kun bruges originale reservedele. Efterse og vedligehold apparatet regelmæssigt. For at sikre sikkerhed og pålidelighed skal alle reparationer udføres af en kvalificeret servicetekniker.

**⚠ BEMÆRK:** Før hver brug efterses hele produktet for beskadigede, manglende eller løse dele, såsom skruer, møtrikker, bolte, hætter osv. Stram alle møtrikker og hætter helt til, og betjen ikke dette produkt, før alle manglende eller beskadigede dele er udskiftet. Kontakt venligst kundeservice eller en kvalificeret servicetekniker.

### ALMINDELIG VEDLIGEHOLDELSE

Undgå at bruge opløsningsmidler ved rengøring af plastdele. De fleste plastmaterialer risikerer at blive ødelagt ved brug af forskellige typer af alment tilgængelige opløsningsmidler. Brug rene klude til at fjerne snavs, støv, olie, fedt osv.

DK

### RENGØRING AF MOTORDEL

1. Stop motoren, og fjern batteripakken.
2. Fjern snavs og skidt fra motordelen vha. en fugtig klud med et mildt rengøringsmiddel.

**BEMÆRK:** Brug ikke stærke rengøringsmidler på plastkabinettet eller -håndtaget. De kan blive beskadiget af visse aromatiske olier, såsom af fyrretræ og citron.

### OPBEVARING AF MOTORDEL

1. Tag batteripakken ud af motordelen inden opbevaring.
2. Fjern alle fremmedlegemer fra motordelen.
3. Opbevar den et sted, der er utilgængeligt for børn.
4. Holdes væk fra ætsende stoffer, såsom havekemikalier og vejsalt.

### Beskyttelse af miljøet



Smid ikke elektrisk udstyr, batterioplader og batterier / genopladelige batterier i affaldsspanden!

Ifølge EU-direktiv 2012/19/EU og EU-direktiv 2006/66/EF skal henholdsvis elektrisk og elektronisk udstyr, der ikke længere er brugbart, og defekte eller brugte batterier / batteripakker indsamles særskilt.

Hvis elektriske apparater smides på lossepladsen eller affaldsdeponier kan der sive giftige stoffer ned i grundvandet og komme ud i fødekæden og gøre skade på menneskers sundhed og velfærd.

### FEJLFINDING

Se brugsanvisningen for det relevante tilbehør.

### GARANTI

#### EGO's GARANTIPOLITIK

Besøg venligst hjemmesiden [egopowerplus.com](http://egopowerplus.com) for fuldstændige vilkår og betingelser for EGO's garantipolitik.

01/12/2016

## LÄS IGENOM OCH FÖRSTA BRUKSANVISNINGEN



### LÄS IGENOM BRUKSANVISNINGEN

**⚠ Kvarstående risker!** Personer med elektroniska implantat såsom hjärtstimulatorer bör konsultera sin(a) läkare innan de använder denna produkt. Användning av elutrustning nära en hjärtstimulator kan störa eller avbryta dess funktion.

**⚠ WARNING!** Alla reparationer bör utföras av en kvalificerad servicetekniker för att upprätthålla produktens säkerhet och driftssäkerhet.

## SÄKERHETSSYMBOLER

Syftet med säkerhetssymboler är att fästa din uppmärksamhet på eventuella risker. Säkerhetssymbolerna och deras betydelser bör uppmärksammas noga och förstås. Själva varningssymboler kan dock inte förebygga någon fara. De instruktioner och varningar som de hänvisar till kan aldrig ersätta lämpliga olycksförebyggande åtgärder.

**⚠ WARNING!** Se till att läsa igenom och förstå alla säkerhetsinstruktioner i bruksanvisningen, inklusive alla varningssymboler såsom **“RISK”**, **“WARNING”** och **“VAR FÖRSIKTIG”**, innan produkten tas i bruk. Underlåtenhet att följa alla nedan angivna instruktioner kan leda till elstöt, brand och/eller svår personskada

## SYMBOLERNAS BETYDELSE

### ⚠ SÄKERHETSRELATERAD VARNINGSSYMBOL:

Betecknar **RISK**, **WARNING** eller **VAR FÖRSIKTIG**. Kan förekomma i samband med andra symboler eller piktogram.



**⚠ WARNING!** Arbete med eldrivna verktyg kan medföra att främmande föremål slungas upp i ögonen vilket kan orsaka svåra ögonskador. Ta alltid på dig skyddsglasögon eller skyddsglasögon med sidoskydd och vid behov ett komplett ansiktsskydd innan du börjar arbeta med eldrivna verktyg. Vi rekommenderar att använda en Wide Vision Safety Mask ovanpå glasögon eller vanliga skyddsglasögon med sidoskydd.

## SÄKERHETSINSTRUKTIONER

På denna sida anges säkerhetssymboler som kan förekomma på produkten. Alla instruktioner som anges på enheten bör granskas, förstås och följas innan du försöker montera och använda den.

	Säkerhetsvarning	Indikerar en potentiell risk för personskador.
	Läs igenom bruksanvisningen	Användaren bör läsa igenom och förstå bruksanvisningen innan produkten tas i bruk för att minska risken för personskada.
	Använd skyddsglasögon	Ha alltid på dig skyddsglasögon eller skyddsglasögon med sidoskydd och ett komplett ansiktsskydd under arbete med denna produkt.
	CE	Denna produkt är i enlighet med gällande EC-direktiv.
	WEEE	Förbrukade elektriska produkter får inte kastas i hushållssoptorna. Lämna in dem till en auktoriserad återvinningsstation.
	Får inte utsättas för regn	Får inte användas i regn eller lämnas utomhus medan det regnar.
V	Volt	Spänning
mm	Millimeter	Längd eller storlek
cm	Centimeter	Längd eller storlek
in.	Tum	Längd eller storlek
kg	Kilogram	Vikt
lb	Pund	Vikt
	Likström	Strömtyp eller -specifikation

SE

## ALLMÄNNA SÄKERHETSVARNINGAR FÖR MOTORDRIVNA VERKTYG

**⚠ VARNING!** Läs igenom alla säkerhetsvarningar och instruktioner. Underlåtenhet att följa alla varningar och instruktioner kan resultera i elektriska stötar, brand och/eller allvarliga personskador.

### Spara alla varningar och instruktioner för framtida bruk.

Termen "motor drivet verktyg" i varningar avser ditt strömdrivna (med strömkabel) motor drivna verktyg eller batteridrivna (utan strömkabel) motor drivna verktyg.

### SÄKERHET I ARBETSOMRÅDET

- **Håll arbetsområdet rent och väl upplyst.** Oordnade eller mörka områden kan orsaka olyckor.
- **Använd inte motor drivna verktyg i explosiva miljöer som t.ex. i närvaron av brandfarliga vätskor, bensin eller damm.** Motor drivna verktyg bildar gnistor som kan antända damm eller ångor.
- **Håll barn och åskådare på avstånd när ett motor drivet verktyg används.** Distraktioner kan få dig att tappa kontrollen.

### ELEKTRISK SÄKERHET

- **Stickkontakten på motor drivna verktyg måste passa i eluttaget. Modifiera aldrig stickkontakten på något sätt. Använd inte någon adapterkontakt med motor drivna verktyg som är jordade.** Stickkontakter som inte modifierats och passar i eluttaget minskar risken för elektriska stötar.
- **Undvik kroppskontakt med jordade ytor som t.ex. rör, element, spisar och kylskåp.** Det finns en risk för elektriska stötar om din kropp är jordad.
- **Utsätt inte motor drivna verktyg för regn eller våta förhållanden.** Om vatten tränger in i ett motor drivet verktyg ökar risken för elektriska stötar.
- **Hantera inte kabeln vårdslöst. Använd aldrig kabeln för att bära, släpa eller dra ut kontakten för det motor drivna verktyget. Håll kabeln borta från värme, olja, skarpa kanter eller rörliga delar.** Skadade eller ihoptrasslade kablar ökar risken för elektriska stötar.
- **Vid användning av motor drivna verktyg utomhus, använd en förlängningskabel som är avsedd för utomhusbruk.** Använd en kabel som är avsedd för utomhusbruk för att minska risken för elektriska stötar.
- **Om du måste använda ett motor drivet verktyg i en fuktig miljö, använd en jordfelsbrytare.** En jordfelsbrytare minskar risken för elektriska stötar.

### PERSONLIG SÄKERHET

- **Var uppmärksam och observant samt använd sunt förnuft när du använder ett motor drivet verktyg. Använd inte ett motor drivet verktyg om du är trött eller under påverkan av droger, alkohol eller medicin.** Ett ögonblicks uppmärksamhet vid användning av motor drivna verktyg kan leda till allvarliga personskador.
- **Använd personlig skyddsutrustning. Använd alltid skyddsglasögon.** Minska risken för personskador genom att använda skyddsutrustning som t.ex. ansiktsmask, halkfria skyddsskor, hjälm och hörselskydd.
- **Förhindra oavsiktlig start. Säkerställ att strömbrytaren är i av-läget innan en strömkälla och/eller batteripaket ansluts, samt när verktyget plockas upp.** Det inbjuder till olyckor att bära det motor drivna verktyget med fingret på strömbrytaren eller verktyg som är påslagna.
- **Ta bort alla inställningsverktyg och skruvnycklar innan det motor drivna verktyget slås på.** En skruvnyckel eller ett inställningsverktyg som lämnas på en roterande del av verktyget kan resultera i personskador.
- **Undvik att sträcka ut dig. Håll ett gott fotfäste och balans vid alla tillfällen.** Det ger dig bättre kontroll över det maskindrivna verktyget i oväntade situationer.
- **Använd korrekta kläder. Använd inte löst sittande kläder eller smycken. Håll hår, kläder och handskar borta från de rörliga delarna.** Löst sittande kläder, smycken och långt hår kan fastna i de rörliga delarna.
- **Om enheter för anslutning av dammuppsamlare finns tillgängliga, se till att de är anslutna och används korrekt.** Användning av dammuppsamlare kan minska dammrelaterade faror.

### ANVÄNDNING OCH SKÖTSEL AV DET MOTORDRIVNA VERKTYGET

- **Forcera inte det motor drivna verktyget. Använd ett korrekt motor drivet verktyg för din tillämpning.** Ett korrekt motor drivet verktyg utför jobbet bättre och säkrare om det används för rätt tillämpning.
- **Använd inte det motor drivna verktyget om strömbrytaren inte kan slås på och av.** Ett motor drivet verktyg som inte kan kontrolleras med strömbrytaren är farligt och måste repareras.
- **Koppla ur stickkontakten från strömkällan och/eller batteripaket från det motor drivna verktyget innan du utför justeringar, byter tillbehör eller förvarar det motor drivna verktyget.** Dessa förebyggande säkerhetsåtgärder minskar risken för att det motor drivna verktyget startas oavsiktligt.

- Förvara motordrivna verktyg som inte används utom räckhåll för barn och låt inte personer som inte är bekanta med verktyget eller dessa instruktioner att använda det. Motordrivna verktyg är farliga i händerna på oerfarna användare.
- Underhåll de motordrivna verktygen. Kontrollera efter felinställning eller bindning av rörliga delar, brott på delar och alla andra tillstånd som kan påverka funktionen på det motordrivna verktyget. Om skadad, lämna in det motordrivna verktyget för reparation innan det används. Många olyckor beror på dåligt underhållna motordrivna verktyg.
- Håll skärverktygen vassa och rena. Korrekt underhållna skärverktyg med vassa skärkanter löper mindre risk för att fastna och är lättare att kontrollera.
- Använd det motordrivna verktyget, tillbehör, insatsverktyg osv. i enlighet med dessa instruktioner och ta hänsyn till arbetsförhållanden och det arbete som ska utföras. Om det motordrivna verktyget används för andra tillämpningar än det är avsett för kan det resultera i farliga situationer.
- Denna 56 volts motorenhet får endast användas med följande EGO-tillbehör:

TILLBEHÖRSTYP	MODELLNUMMER
Kantskärare	EA0800
Buskskärare	BCA1200
Kanttrimmer	STA1500
Stängsåg	PSA1000
Stånghäcksax	HTA2000

#### ANVÄNDNING OCH SKÖTSEL AV DET BATTERIDRIVNA VERKTYGET

- Ladda endast med laddaren som anges av tillverkaren. En laddare som är lämplig för en specifik typ av batteripack kan resultera i brand när den används med ett annat batteripack.
- Använd endast motordrivna verktyg med avsedda batteripack som anges nedan. Användning av andra batteripack kan orsaka personskador och brand.

BATTERI	LADDARE
BA1120E, BA2240E, BA2800, BA3360, BA4200 (BA3360 och BA4200 är inte tillämpliga när utrustad med tillsatsen för busktrimmer)	CH5500E, CH2100E

- När batteripacket inte används, håll det borta från metallobjekt som t.ex. pappersgem, mynt, nycklar, skruvar och andra små metallobjekt som kan bilda en anslutning från en batterikontakt till den andra. Om batterikontakterna kortsluts kan det orsaka brännskador eller brand.
- Vid felaktig användning kan vätska tränga ut från batteriet; undvik kontakt med vätskan. Om kontakt inträffar, skölj med vatten. Uppsök dessutom läkare om vätskan får kontakt med ögon. Vätskan som tränger ut från batteriet kan orsaka irritationer eller brännskador.

#### SKÖTSEL

- Serva ditt motordrivna verktyg hos en kvalificerad servicetekniker som endast använder identiska utbytesdelar. Detta säkerställer att det motordrivna verktygets underhålls.
- Om situationer uppstår som inte tas upp i denna manual, var försiktig och använd sunt förnuft. Kontakta EGO Service Center för hjälp.

#### SPARA DESSA INSTRUKTIONER

KOMPLETTERANDE SÄKERHETSREGLER KAN HITTAS I TILLBEHÖRETS BRUKSANVISNING

#### SPECIFIKATIONER

Spänning	56 V ---
Vikt (utan batteripack)	2,73 kg

#### LEVERANSLISTA

ARTIKELNAMN	ANTAL
Motorenhet	1
Justerbart främre handtag	1
Axelrem	1
Bruksanvisning	1

SE

## BESKRIVNING

### LÄRA KÄNNA DIN MOTORENHET (bild A)

1. Luftutsläpp
2. Luftintag
3. Bakre handtag
4. Startspärr
5. Hastighetsreglage hög/låg
6. Tröskelring
7. Justerbart främre handtag
8. Koppling
9. Frigöringsknapp för axeln
10. Vingmutter
11. Barriärstång
12. Avtryckare
13. Frigöringsknapp för batteriet
14. Gummiskydd
15. Spärr
16. Elektriska kontakter
17. Utskjutningsmekanism
18. Axelrem (extratillbehör)

SE

## MONTERING

**⚠ VARNING!** Om någon av delarna skadats eller saknas, använd inte denna produkt förrän delarna har bytts ut. Användning av denna produkt med skadade eller saknade delar kan resultera i allvarliga personskador.

**⚠ VARNING!** Ta alltid ut batteripacket från produkten vid montering av delar, justeringar, rengöring eller när produkten inte används.

### MONTERA ETT TILLBEHÖR TILL MOTORENHETEN

**⚠ VARNING!** Läs igenom och förstå den fullständiga bruksanvisningen för varje tillbehör (valfritt) som används på denna motorenhet och följ alla varningar och instruktioner. Underlåtenhet att följa alla instruktioner kan resultera i elektriska stötar, brand och/eller allvarliga personskador.

**⚠ VARNING!** Denna 56 volts motorenhet PH1400E är endast utvecklad för användning med EGO-tillbehör av modellerna som anges i denna bruksanvisning eller senare införts av EGO för användning med denna motorenhet. Användning av andra, otillåtna tillbehör kan orsaka allvarlig personskador eller skador på egendom.

**⚠ VARNING!** Du får aldrig installera, ta bort eller justera något tillbehör medan motorenheten är igång eller med batteriet monterat. Underlåtenhet att stoppa motorn och ta ut batteriet kan orsaka allvarliga personskador.  
**ANVÄND ALDRIG MOTORENHETEN UTAN ETT TILLBEHÖR.**

Tillbehöret ansluts till motorenheten via en kopplingsenhet.

1. Stoppa motorn och ta bort batteripacket.
2. Lossa på vingmuttern.
3. Ta bort ändlocket från tillbehöret. Rikta in pilen på tillbehörets axel med pilen på kopplingen och tryck in axeln in i kopplingen tills du hör ett klick. Detta klick indikerar att tillbehörets axel är monterat på plats (bild B).

Bild B se nedan för beskrivning av delar:

B-1	Tillbehörets axel	B-4	Arrow on the Coupler
B-2	Pil på tillbehörets axel	B-5	Frigöringsknapp för axeln
B-3	Vingmutter	B-6	Motorenhetens axel

4. Dra i tillbehörets axel för att bekräfta att den är fastlåst i kopplingen. Om den inte är fastlåst, vrid tillbehörets axel från sida till sida i kopplingen tills den knäpps på plats.
5. Dra åt vingmuttern ordentligt.

**⚠ VARNING!** Säkerställ att vingmuttern är helt åtdragen innan utrustningen används. Kontrollera regelbundet att den är åtdragen före användning för att undvika allvarliga personskador.

### TA BORT TILLBEHÖR FRÅN MOTORENHETEN

1. Stoppa motorn och ta bort batteripacket.
2. Lossa på vingmuttern.
3. Håll in axelns frigöringsknapp och dra eller vrid tillbehöret tills det frigörs från kopplingen.

### MONTERA OCH JUSTERA DET FRÄME HANDTAGET

1. Stoppa motorn och ta bort batteripacket (om monterat).
2. Lossa på vingmuttern för att separera det justerbara främre handtaget (bild C).

Bild C se nedan för beskrivning av delar:

C-1	Låsstång	C-3	Främre handtag med barriärstång
C-2	Fästblock	C-4	Vingmutter



- Tryck in det främre handtaget mot axeln mellan tröskelringen och kopplingen (bild D).
- För in fästblocket i handtagsöppningen (bild E).
- Montera låsstäng och dra åt dem i förhand med vingmuttern. Se till att det främre handtaget är riktat uppåt och pekar mot den övre delen på det bakre handtaget (bild F).
- Justera det främre handtaget mellan tröskelringen och kopplingen för att säkerställa att din främre arm är rak vid användning (bild G).

Bild G se nedan för beskrivning av delar:

G-1	Pil	G-2	Begränsningsområde
-----	-----	-----	--------------------

- Lås sedan fast spaken för låsstäng (bild H).

**⚠ VARNING!** Använd aldrig verktyget utan att det främre handtaget är korrekt på plats.

**⚠ VARNING!** Fixera det främre handtaget endast mellan tröskelringen och kopplingen.

### MONTERA AXELREMMEN

Tryck in remmens hake för att öppna den och fästa den till axelremmens hängare på motorhuvudet (bild I).

## ANVÄNDNING

**⚠ VARNING!** Var aldrig vårdslös, även om du är väl förtrogen med verktyget. Glöm inte att en bråkdel av en sekund av ouppmärksamhet är tillräcklig för att orsaka svåra personskador

**⚠ VARNING!** Använd alltid skyddsglasögon. Underlåtenhet att följa detta kan resultera i att objekt slungas in i dina ögon eller leda till andra allvarliga personskador.

**⚠ VARNING!** Använd inte några tillsatser eller tillbehör som inte rekommenderas av tillverkaren för denna produkt. Användning av tillsatser eller tillbehör som inte rekommenderas kan resultera i allvarliga personskador.

**⚠ VARNING! ANVÄND ALDRIG MOTORENHETEN UTAN ETT TILLBEHÖR.**

### INSTALLERA/TA UT BATTERIPACKET

**OBS!** Ladda batteripacket fullt före första användning.

#### Installera

Rikta in listerna på batteriet med monteringsspår och tryck sedan ner batteripacket tills du hör ett "klick" (bild J).

Bild J se nedan för beskrivning av delar:

J-1	Monteringsspår
J-2	List

### Borttagning

Tryck in frigöringsknappen för batteriet och dra sedan ut batteripacket (bild K).

**⚠ VARNING!** För att undvika allvarliga personskador, ta alltid ut batteripacket och håll händerna borta från startspärren och avtryckaren när verktyget bärs eller transporteras.

### STARTA/STOPPA MOTORENHETEN (bild L)

#### Starta

Tryck in startspärren och håll in den i det läget. Tryck på avtryckaren igen för att slå på motorenheten. När avtryckaren trycks ner olika hårt resulterar det i variabel rotationshastighet för motorenheten. Mer tryck, högre hastighet.

#### Stoppa

Släpp upp avtryckaren.

**OBS!** Motorn körs endast när både startspärren och avtryckaren trycks in.

#### Hastighetsjustering (bild L)

Motorenheten har två olika hastigheter. Läget "1" är för låg hastighet och läget "2" är för hög hastighet. Tryck in eller dra ut reglaget för hög/låg hastighet för att välja en lämplig hastighet vid drift.

Bild L se nedan för beskrivning av delar:

L-1	Hastighetsreglage hög/låg
L-2	Startspär
L-3	Avtryckare

## UNDERHÅLL

**⚠ VARNING!** Före inspektion, rengöring eller service av enheten, stoppa motorn, vänta tills alla rörliga delar har stoppats och ta sedan ut batteripacket. Underlåtenhet att följa dessa instruktioner kan resultera i allvarliga personskador eller skada på egendom.

**⚠ VARNING!** Använd endast identiska reservdelar vid service. Användning av andra detaljer kan leda till risker eller skada på produkten. Granska maskinen och utför underhåll regelbundet. Alla reparationer bör utföras av en kvalificerad servicetekniker för att upprätthålla säkerhet och driftssäkerhet.

**OBS!** Före varje användning, inspektera hela produkten efter skadade, saknade eller lösa delar som t.ex. skruvar, muttrar, bultar, lock osv. Dra åt alla fästen och lock och använd inte produkten förrän alla saknade eller skadade delar har ersatts. Vänligen kontakta kundtjänst eller en behörig servicetekniker.

## ALLMÄNT UNDERHÅLL

Använd inte lösningsmedel när du rengör plastdelarna. De flesta plaster är känsliga för skador från olika typer av kommersiella lösningsmedel och kan skadas av dess användning. Använd rena trasor för att ta bort smuts, damm, olja, fett osv.

## RENGÖRA MOTORENHETEN

1. Stoppa motorn och ta bort batteripacket.
2. Rengör motorenheten från smuts och skräp med en fuktad trasa med ett mildt rengöringsmedel.

**SE**

**OBS!** Använd inte starka rengöringsmedel på plasthöljet eller handtaget. Det kan orsaka skador av vissa aromatiska oljor som t.ex. tall och citron.

## FÖRVARA MOTORENHETEN

1. Ta ut batteripacket från motorenheten före förvaring.
2. Rengör motorenheten från allt främmande material.
3. Förvara den på en plats som är utom räckhåll för barn.
4. Håll den undan från korrosiva medel såsom trädgårdskemikalier och avsnings salt.

## Miljöskydd



Elektriska enheter, batteriladdare och batterier/uppladdningsbara batterier får inte kastas med hushållsavfall!

Enligt det europeiska direktivet 2012/19/EU ska uttjänta elektriska och elektroniska enheter samlas separat; samma gäller för defekta eller uttjänta batteripack/batterier enligt det europeiska direktivet 2006/66/EG.

Om elektriska enheter hamnar i soptippar eller avfallsdepåer kan farliga ämnen läcka ut till grundvattnet, hamna i näringskedjan och skada din hälsa och ditt välmående.

## FELSÖKNING

Se bruksanvisningen för tillämpliga tillbehör.

## GARANTI

### GARANTIVILLKOREN AV EGO

Var god besök webbplatsen [egopowerplus.com](http://egopowerplus.com) för att se de fullständiga garantivillkoren av EGO.

01/12/2016

## LUE KAIKKI OHJEET!



### LUE KÄYTTÖOPAS

**⚠ Jäännösriski!** Henkilöiden, joilla on elektroniikkalaitteita, kuten sydämentahdistimia, tulee neuvotella lääkärin kanssa ennen tuotteen käyttöä. Sähkölaitteiden käyttö sydämentahdistimen läheisyydessä voi aiheuttaa tahdistimeen häiriöitä tai vikoja.

**⚠ VAROITUS:** Valtuutetun huoltoteknikon tulee suorittaa kaikki korjaukset ja osien vaihdot, jotta voidaan taata tuotteen turvallinen ja luotettava käyttö.

## TURVAMERKIT

Turvamerkkien tavoitteena on kiinnittää huomio mahdollisiin vaaroihin. Sinun tulee lukea huolellisesti käyttöohjeet ja ymmärtää turvamerkit ja niiden selitteet. Turvamerkit eivät itsessään poista vaaraa. Niiden antamat ohjeet ja varoitukset eivät korvaa asianmukaisia tapaturman torjuntatoimenpiteitä.

**⚠ VAROITUS:** Varmista, että luet ja ymmärrät kaikki tämän käyttäjän käsikirjan turvallisuusohjeet, mukaan lukien kaikki vaaramerkit, kuten ”VAARA”, ”VAROITUS” ja ”HUOMIO”, ennen kuin käytät työkalua. Alla mainittujen ohjeiden noudattamatta jättäminen voi aiheuttaa sähköiskun, tulipalon ja/tai vakavan henkilövahingon.

## MERKIN SISÄLTÖ

**⚠ VAROITUSMERKKI:** Ilmaisee seuraavia: **VAARA, VAROITUS TAI HUOMIO.** Voidaan käyttää yhdessä muiden merkien tai kuvamerkkien kanssa.



**⚠ VAROITUS:** Vierasesineitä voi sähkötyökalujen käytön seurauksena lentää silmiin, ja ne voivat aiheuttaa vakavan silmävamman. Käytä aina suojalaseja tai turvalaseja sivusuojilla ja tarvittaessa kokokasvosuojusta ennen sähkötyökalun käytön aloittamista. Suosittelemme laajan näkökentän kasvosuojusta silmälasien päälle tai vakioturvalaseja sivusuojilla.

## TURVALLISUUSOHJEET

Tällä sivulla esitetään ja kuvataan tähän tuotteeseen mahdollisesti liittyvät turvamerkit. Lue kaikki koneen ohjeet siten, että ymmärrät ne, ja noudata niitä ennen kuin kasaat koneen ja käytät sitä.

	Turvallisuusvaroitus	Osoittaa mahdollista henkilövahingon vaaraa.
	Lue käyttäjän käsikirja	Tapaturmariskin pienentämiseksi käyttäjän täytyy lukea ja ymmärtää käyttäjän käsikirja ennen tuotteen käyttöä.
	Käytä suojalaseja	Käytä aina suojalaseja tai turvalaseja sivusuojilla ja kokokasvosuojusta, kun käytät tätä tuotetta.
	CE	Tämä tuote vastaa sovellettavia EU-direktiivejä.
	WEEE	Vanhoja sähkölaitteita ei saa hävittää kotitalousjätteen mukana. Vie laite valtuutettuun kierrätyslaitokseen.
	Älä altista sateelle	Älä käytä sateessa tai jätä ulos sateella.
V	Voltti	Jännite
mm	Millimetri	Pituus tai koko
cm	Senttimetri	Pituus tai koko
in.	Tuuma	Pituus tai koko
kg	Kilogramma	Paino
lb	Pauna	Paino
	Tasavirta	Virran tyyppi tai virtajännite-ominaiskäyrä



## YLEISET SÄHKÖTYÖKALUJEN TURVALLISUUSVAROITUKSET

**VAROITUS:** Lue kaikki turvallisuusvaroitukset ja -ohjeet. Varoitusten ja ohjeiden noudattamatta jättäminen saattaa aiheuttaa sähköiskun, tulipalon ja/tai vakavan henkilövahingon.

**Säilytä kaikki varoitukset ja ohjeet myöhempää käyttöä varten.**

Varoituksissa käytetty termi "sähkötyökalu" tarkoittaa joko verkkovirtakäyttöistä (johdollista) sähkötyökalua tai akkukäyttöistä (johdotonta) sähkötyökalua.

## TYÖALUEEN TURVALLISUUS

- **Pidä työskentelyalue siistinä ja hyvin valaistuna.** Sotkuiset tai hämärät alueet aiheuttavat onnettomuuksia.
- Älä käytä sähkötyökaluja räjähdysriskissä ympäristössä, **kuten esimerkiksi syttyvien nesteiden, bensiinin tai polyn lähellä.** Sähkötyökalut muodostavat kipinöitä, jotka saattavat sytyttää polyn tai höyryt.
- **Älä päästä lapsia tai sivullisia lähelle, kun käytät sähkötyökaluja.** Häiriötekijät voivat aiheuttaa laitteen hallinnan menettämisen.

## SÄHKÖTURVALLISUUS

- **Sähkötyökalujen pistokkeiden on vastattava pistorasiaa. Älä muuta pistoketta millään tavalla. Älä käytä minkäänlaisia sovittipistotulppia maadoitettujen sähkötyökalujen kanssa.** Muuntelemattomat pistokkeet ja niitä vastaavat pistorasiat vähentävät sähköiskun vaaraa.
- **Vältä koskemasta vartaloollasi maadoitettuihin pintoihin, kuten putkiin, lämmityspattereihin, liesiin ja jääkaappeihin.** Sähköiskun vaara on suurempi, jos vartalosi on maadoitettu.
- **Älä altista sähkötyökaluja sateelle tai kosteudelle.** Sähkötyökaluun pääsevä vesi lisää sähköiskun vaaraa.
- **Älä käytä virtajohtoa väärin. Älä koskaan kannata vedä laitetta johdosta tai irrota laitetta pistorasiasta johdosta vetämällä. Pidä johto loitolla kuumuudesta, öljystä, terävistä reunoista ja liikkuvista osista.** Vahingoittuneet tai sotkeutuneet johdot lisäävät sähköiskun vaaraa.
- **Kun käytät sähkötyökalua ulkona, käytä ulkokäyttöön tarkoitettua jatkojohtoa.** Ulkokäyttöön tarkoitettun jatkojohdon käyttö vähentää sähköiskun riskiä.

- **Jos et voi välttää sähkötyökalun käyttöä kosteissa olosuhteissa, käytä vikavirtasuojakytkimellä varustettua pistorasiaa.** Vikavirtasuojakytkimen käyttö vähentää sähköiskun vaaraa.

## HENKILÖTURVALLISUUS

- **Ole valpas, tarkkaavainen ja käytä maalaisjärkeä, kun käytät sähkötyökalua. Älä käytä sähkötyökalua, kun olet väsynyt tai kun olet huumeiden, alkoholin tai lääkityksen vaikutuksen alaisena.** Hetken tarkkaamattomuus sähkötyökalua käytettäessä saattaa johtaa vakavaan henkilövahinkoon.
- **Käytä henkilönsuojaimia. Käytä aina suojalaseja.** Suojavarusteiden, kuten hengityssuojaimen, luistamattomien turvakengien, suojakypärän tai kuulosuojaimien, käyttö tarvittaessa vähentää henkilövahinkoja.
- **Estä tahaton käynnistyminen. Varmista, että kytkin on pois päältä ennen työkalun liittämistä virtalähteeseen ja/tai akkuun, sen ottamista käteen tai kantamista.** Sähkötyökalujen kantaminen niin, että sormesi on kytkimellä, tai sähkötyökaluihin virran kytkeminen kytkin päällä voi aiheuttaa onnettomuuksia.
- **Irrota säätö- ja ruuviavaimet ennen työkalun virran kytkemistä päälle.** Sähkötyökalun pyörivään osaan jätetty säätöavain tai kiintoavain saattaa aiheuttaa henkilövahingon.
- **Älä kurota liian pitkälle. Seiso aina tukevasti ja tasapainossa.** Näin hallitset sähkötyökalun parhaalla mahdollisella tavalla odottamattomissa tilanteissa.
- **Pukeudu asianmukaisesti. Älä käytä väljiä vaatteita tai koruja. Pidä hiukset, vaatteet ja käsineet etäällä liikkuvista osista.** Väljit vaatteet, korut tai pitkät hiukset voivat takertua liikkuviin osiin.
- **Jos laitteissa on liitännät pölynpoistolaitteille ja keräilylaitteille, varmista, että ne on liitetty ja niitä käytetään oikein.** Pölynpoistolaitteiden käyttö voi vähentää pölyyn liittyviä vaaroja.

## SÄHKÖTYÖKALUJEN KÄYTTÖ JA YLLÄPITO

- **Älä käytä sähkötyökalua väkisin. Käytä omaan käyttötarkoitukseesi sopivaa sähkötyökalua.** Oikeaa sähkötyökalua käyttämällä teet työn paremmin ja turvallisemmin laitteelle tarkoitetulla teholla.
- **Älä käytä sähkötyökalua, jota ei enää voida käynnistää ja pysäyttää kytkimellä.** Sähkötyökalu, jota ei enää voida hallita käynnistyskytkimellä, on vaarallinen ja se täytyy korjata.

FI

60

56 VOLTIN LITIUMAKKUPÄÄ — PH1400E

- **Irrota pistoke virtalähteestä ja/tai akku sähkötyökalusta ennen säätöjen tekemistä, lisävarusteiden vaihtamista tai työkalun asettamista säilytykseen.** Nämä varoimet vähentävät sähkötyökalun tahattomaan käynnistymiseen liittyvien onnettomuuksien vaaraa.
- **Kun työkalua ei käytetä, säilytä sitä poissa lasten ja sellaisten henkilöiden ulottuvilta, jotka eivät tunne sähkötyökalua tai näitä ohjeita.** Sähkötyökalut ovat vaarallisia kokemattomien käyttäjien käsissä.
- **Huolla sähkötyökalut.** Tarkista virheellinen kohdistus ja liikkuvien osien kiinnileikkaaminen, osien rikkoutuminen sekä kaikki muut tilat, jotka voivat vaikuttaa sähkötyökalun toimintaan. Jos sähkötyökalu on vaurioitunut, toimita se korjattavaksi ennen käyttöä. Monen tapaturman syyt löytyvät huonosti huolletuista laitteista.
- **Pidä leikkuutyökalut terävinä ja puhtaina.** Oikein huolletut leikkuutyökalut, joissa on terävät leikkureunat, eivät todennäköisesti jumiuudu, ja niitä on helpompi hallita.
- **Käytä sähkötyökaluja, lisävarusteita ja teriä yms. näiden ohjeiden mukaisesti ja niin, että otat huomioon käyttöolosuhteet ja tehtävän työn.** Sähkötyökalun käyttö muihin kuin sille suunniteltuihin käyttötarkoituksiin voi aiheuttaa vaaratilanteen.
- **Tätä 56 V akkupäätä PH1400E saa käyttää vain seuraavien EGO-lisäosien kanssa:**

LISÄOSAN TYPPI	MALLIN NUMERO
Reunaleikkuri	EA0800
Raivaussaha	BCA1200
Siimaleikkuri	STA1500
Varsisaha	PSA1000
Varrellinen pensasleikkuri	HTA2000

#### AKKUTYÖKALUN KÄYTTÖ JA YLLÄPITO

- **Lataa vain valmistajan määrittämällä laturilla.** Laturi, joka sopii yhdentyyppiselle akulle voi aiheuttaa tulipalovaaran, jos sitä käytetään toisenlaisen akun kanssa.
- **Käytä sähkötyökaluissa vain erityisesti niihin tarkoitettuja akkuja, jotka on lueteltu alla.** Muunlaisten akkujen käyttö saattaa aiheuttaa henkilövahingon tai tulipalon vaaran.

AKKU	LATAUSLAITE
BA1120E, BA2240E, BA2800, BA3360, BA4200 (BA3360 ja BA4200 eivät ole käytettävissä raivaussahalisäosan kanssa)	CH5500E, CH2100E

- **Kun akku ei ole käytössä, pidä se erillään metalliesineistä, kuten paperiliittimet, kolikot, avaimet, naulat, ruuvit ja muut pienet metalliesineet, jotka voivat yhdistää akun navat toisiinsa.** Akun napojen oikosulku voi aiheuttaa palovammoja tai tulipalon.
- **Väärästä käytöstä johtuen akusta voi valua nestettä; vältä sen koskemista.** Jos kuitenkin vahingossa kosket siihen, huuhtele runsaalla vedellä. Jos nestettä pääsee silmiin, hakeudu lääkärin hoitoon. Akusta valuva neste voi aiheuttaa ärsytystä tai palovammoja.

#### HUOLTO

- **Huollata sähkötyökalu pätevällä huoltohenkilöstöllä, joka saa käyttää vain alkuperäisvaraosia.** Näin taataan sähkötyökalun turvallisuuden säilyminen.
- **Jos kohtaat tilanteen, jota ei tässä käyttöoppaassa käsitellä, käytä maalaisjärkeä ja omaa harkintakykyäsi.** Pyydä lisäohjetta EGO-huoltokeskuksesta.

#### SÄILYTÄ NÄMÄ OHJEIT!

**ERITYISIÄ LISÄTURVAOHJEITA ON KUNKIN KÄYTETTÄVÄN LISÄOSAN KÄYTTÖOPPAASSA.**

#### MÄÄRITYKSET

Jännite	56 V $\overline{\text{---}}$
Paino (ilman akkua)	2,73 kg

#### PAKKAUSLUETTELO

OSAN NIMI	MÄÄRÄ
Akkupää	1
Säädettävä etuapukahva	1
Olkahihna	1
Käyttäjän käsikirja	1

## KUVAUS

### TUNNE AKKUPÄÄÄ (kuva A)

1. Ilmanpoisto
2. Ilmanotto
3. Takakahva
4. Lukituksen vapautuspainike
5. Korkean/alhaisen nopeuden kytkin
6. Rajoitusrengas
7. Säädettävä edessä oleva apukahva
8. Liitoscappale
9. Varren vapautuspainike
10. Siipinuppi
11. Estotanko
12. Liipaisin
13. Akun vapautuspainike
14. Kumityynyosuus
15. Salpa
16. Sähköliittännät
17. Poistomekanismi
18. Olkahihna (erikoisvaruste)

FI

## KOKOONPANO

**VAROITUS:** Jos jokin osa on vahingoittunut tai puuttuu, älä käytä tuotetta ennen kuin osat on vaihdettu. Tuotteen käyttö silloin, kun siinä on vahingoittuneita osia tai osia puuttuu, saattaa aiheuttaa vakavan henkilövamman.

**VAROITUS:** Poista akku laitteesta aina, kun kokoat osia, teet säätöjä tai puhdistat laitetta, tai kun et käytä laitetta.

### LISÄOSAN ASENTAMINEN AKKUPÄÄHÄN

**VAROITUS:** Lue ja ymmärrä akkupään jokaisen valinnaisen lisäosan käyttöopas ja noudata kaikkia varoituksia ja ohjeita. Ohjeiden noudattamatta jättäminen saattaa aiheuttaa sähköiskun, tulipalon ja/tai vakavan henkilövahingon.

**VAROITUS:** Tämä 56 V akkupää PH1400E on suunniteltu käytettäväksi vain käyttöoppaassa määritettyjen EGO-lisäosamallien kanssa tai EGO:n myöhemmin lisäämien mallien kanssa. Muiden, luvattomien lisäosien käyttö voi aiheuttaa vakavia henkilövahinkoja tai omaisuusvahinkoja.

**VAROITUS:** Älä koskaan asenna, poista tai säädä mitään lisäosaa, kun leikkuupää on käynnissä, tai kun akku on asennettuna. Moottorin sammuttamatta jättäminen ja akun poistamatta jättäminen voivat aiheuttaa vakavan henkilövahingon. **ÄLÄ KOSKAAN KÄYTÄ AKKUPÄÄTÄ ILMAN LISÄOSAA.**

Lisäosa yhdistyy akkupäähän liitoscappaleen välityksellä.

1. Pysäytä moottori ja poista akku.
2. Löysää siipinuppi.
3. Poista lisäosan päässä oleva kansi. Kohdista lisäosan varren nuoli liitoscappaleen nuoleen ja paina lisäosan vartta liitoscappaleeseen, kunnes kuulet "naksahavan äänen". Se ilmaisee, että lisäosan varsi on paikoillaan (kuva B).

Kuva B osien kuvaus alla:

B-1	Lisäosan varsi	B-4	Liitoscappaleen nuoli
B-2	Lisäosan varren nuoli	B-5	Varren vapautuspainike
B-3	Siipinuppi	B-6	Akkupään varsi

4. Tarkasta lisäosan varren pysyvyys liitoscappaleessa vetämällä vartta. Jos se ei pysy, käännä lisäosan vartta puolelta toiselle liitoscappaleessa, kunnes varsi naksahaa paikoilleen.
5. Kiristä siipinuppi kunnolla.

**VAROITUS:** Varmista, että siipinuppi on kunnolla kiristetty ennen laitteen käyttämistä; tarkista sen kireys säännöllisesti käytön aikana vakavien henkilövahinkojen välttämiseksi.

### LISÄOSAN POISTAMINEN AKKUPÄÄSTÄ

1. Pysäytä moottori ja poista akku.
2. Löysää siipinuppi.
3. Paina varren vapautuspainiketta ja pidä sitä pohjassa. Vedä tai käännä lisäosan varsi irti liitoscappaleesta.

### ETUAPUKAHVAN KIINNITYS JA SÄÄTÄMINEN

1. Pysäytä moottori ja poista akku, jos se on asennettu.
2. Löysää siipimutteri, jotta saat säädettävän etuapukahvan irti (kuva C).

Kuva C osien kuvaus alla:

C-1	Lukitusvarsi	C-3	Etuapukahva ja estotanko
C-2	Puristuskappale	C-4	Siipimutteri

3. Työnnä etuapukahva varteen rajoitusrenkaan ja liitoskappaleen väliin (kuva D).
4. Aseta puristuskappale kahvan koloon (kuva E).
5. Asenna lukitusvarsi ja esikiristä se siipimutterilla. Varmista, että etuapukahva on ylöspäin ja osoittaa kohti takakahvan yläosaa (kuva F).
6. Sääädä etuapukahva rajoitusrenkaan ja liitoskappaleen väliin. Varmista, että käsivartesi on suorana käytön aikana (kuva G).

Kuva G osien kuvaus alla:

G-1	Nuoli	G-2	Rajoitusraja
-----	-------	-----	--------------

7. Lukitse sitten lukitusvarren vipu (kuva H).

**VAROITUS:** Älä ikinä käytä työkalua ilman, että etuapukahva on kunnolla paikallaan.

**VAROITUS:** Kiinnitä etuapukahva rajoitusrenkaan ja liitoskappaleen väliin.

## OLKAHIHNNAN KIINNITYS

Avaa hihnan koukku painamalla ja kiinnitä se akkupään olkahihnan kiinnitysripustimeen (kuva I).

## KÄYTTÖ

**VAROITUS:** Älä anna perehtyneisyyden tuotteeseen saada sinua huolimattomaksi. Muista, että sekunnin murto-osa huolimattomuutta riittää aikaansaamaan vakavan henkilövahingon.

**VAROITUS:** Käytä aina suojalaseja. Tämän ohjeen laiminlyöminen saattaa aiheuttaa esineiden sinkoutumisen silmiin ja mahdollisen vakavan henkilövahingon.

**VAROITUS:** Älä käytä lisälaitteita tai lisävarusteita, jos tämän tuotteen valmistaja ei ole suositellut niitä. Muiden kuin suositeltujen varusteiden ja lisätarvikkeiden käyttö saattaa aiheuttaa vakavan henkilövahingon.

**VAROITUS: ÄLÄ KOSKAAN KÄYTÄ AKKUPÄÄTÄ ILMAN LISÄOSAA.**

## AKUN ASENTAMINEN/POISTAMINEN

**HUOMIOI:** Lataa akku täysin ennen käyttöä.

### Asentaminen

Aseta akun ulokkeet kiinnitysaukoihin ja paina akkua alaspäin, kunnes kuulet naksahduksen (kuva J).

Kuva J osien kuvaus alla:

J-1	Asennusaukko
J-2	Uloke

### Poistaminen

Paina akun vapautuspainiketta ja vedä akku ulos (kuva K).

**VAROITUS:** Poista akku aina vakavien henkilövahinkojen välttämiseksi, ja pidä kädet poissa lukituksen vapautuspainikkeelta ja liipaisimelta, kun kannat tai kuljetat työkalua.

## AKKUPÄÄN KÄYNNISTÄMINEN/SAMMUTTAMINEN (Kuva L)

### Käynnistys

Paina lukituksen vapautuspainike alas ja pidä sitä pohjassa. Paina liipaisin pohjaan käynnistääksesi akkupään. Erilainen paine liipaisimella aiheuttaa akkupään pyörimisnopeuden muuttumisen. Enemmän painetta, enemmän nopeutta.

### Sammutus

Vapauta liipaisin.

**HUOMAA:** Moottori käy vain silloin, kun sekä lukituksen vapautusvipua että liipaisinta painetaan.

### Nopeuden säätötoiminto (kuva L)

Akkupäällä on kaksi eri nopeutta. Asento "1" on alhainen nopeus, asento "2" on korkea nopeus. Paina tai vedä korkean/alhaisen nopeuden kytkintä käytön aikana sopivimman nopeuden valitsemiseksi.

Kuva L osien kuvaus alla:

L-1	Korkean/alhaisen nopeuden kytkin
L-2	Lukituksen vapautuspainike
L-3	Liipaisin

## HUOLTO

**VAROITUS:** Pysäytä moottori, odota kaikkien liikkuvien osien pysähtymistä ja poista akku ennen laitteen tarkastamista, puhdistamista tai huoltamista. Näiden ohjeiden noudattamatta jättäminen saattaa johtaa vakavaan henkilövahinkoon tai omaisuusvahinkoon.

**VAROITUS:** Käytä huollon yhteydessä vain valmistajan hyväksymiä varaosia. Muiden osien käyttö voi aiheuttaa vaaran tai vahingoittaa tuotetta. Tarkasta ja huolla kone säännöllisin väliajoin. Valtuutetun huoltoteknikon tulee suorittaa kaikki korjaukset, jotta voidaan taata tuotteen turvallinen ja luotettava käyttö.

**HUOMAA:** Ennen jokaista käyttökertaa tarkista laite kokonaisuudessaan vahingoittuneiden, puuttuvien tai löystyneiden osien varalta, kuten ruuvit, mutterit, pultit, kannet jne. Kiinnitä kaikki kiinnittimet ja kannet tiukasti, äläkä käytä laitetta ennen kuin kaikki puuttuvat tai vahingoittuneet osat on vaihdettu. Ota yhteyttä asiakaspalveluun tai ammattitaitoiseen huoltoasentajaan.

## YLEINEN KUNNOSSAPITO

Vältä liuotainaineiden käyttöä, kun puhdistat muoviosia. Useimmat muovit ovat herkkiä vaurioitumaan erilaisista kaupallisista liuottimista. Poista lika, pöly, öljy, rasva jne. puhtaalla liinalla.

## AKKUPÄÄN PUHDISTAMINEN

1. Pysäytä moottori ja poista akku.
2. Puhdista lika ja roskat akkupäästä kostealla liinalla ja miedolla puhdistusaineella.

**HUOMAA:** Älä käytä voimakkaita puhdistusaineita kahvan muovikuoreen. Se saattaa vahingoittaa tietyistä aromaattisista öljyistä, kuten mänty ja sitruuna.

## AKKUPÄÄN SÄILYTTÄMINEN

1. Poista akku ennen akkupään säilytykseen laittamista.
2. Puhdista kaikki vieras materiaali akkupäästä.
3. Säilytä paikassa, johon lapset eivät pääse.
4. Pidä poissa syövyttävien aineiden, kuten puutarhakemikaalien ja jäänestosuolojen, läheltä.

## Ympäristönsuojelu



Älä hävitä sähkölaitteita, akun latauslaitteita ja akkuja/ladattavia akkuja kotitalousjätteen mukana!

Euroopan parlamentin ja neuvoston direktiivin 2012/19/EU mukaan sähkö- ja elektroniikkalaitteet, jotka eivät ole enää käyttökelpoisia, ja Euroopan parlamentin ja neuvoston direktiivin 2006/66/EY mukaan vialliset tai käytetyt akkuyksiköt/akut täytyy kerätä erikseen.

Jos sähkölaitteet hävitetään viemällä kaatopaikoille tai roskaläjiin, vaarallisia aineita voi vuotaa pohjaveteen ja päästä ravintokeijuun ja vahingoittaa täten ihmisten terveyttä ja hyvinvointia.

## VIANETSINTÄ

Katso käytettävän lisäosan käyttöopasta.

## TAKUU

### EGO-TAKUUKÄYTTÄNTÖ

Katso verkkosivuilta osoitteesta [egopowerplus.com](http://egopowerplus.com) EGO-takuukäytännön ehdot ja edellytykset kokonaisuudessaan.

01/12/2016

FI



## LES ALLE INSTRUKSJONER!



### LES BRUKERMANUALEN

**⚠ Restrisiko!** Personer med elektroniske enheter, for eksempel pacemakere, må rådføre seg med lege før de bruker dette produktet. Drift av elektrisk utstyr i umiddelbar nærhet av en pacemaker kan føre til at pacemakeren forstyrres eller svikter.

**⚠ ADVARSEL:** For sikre både sikkerheten og påliteligheten, skal alle reparasjoner utføres av en kvalifisert servicetekniker.

## SIKKERHETSSYMBOLER

Formålet med sikkerhetssymbolene er å trekke oppmerksomheten din mot mulige faresituasjoner. Sikkerhetssymbolene og forklaringene krever din fulle oppmerksomhet og forståelse. Symbolvarslene eliminerer ikke farer på egen hånd. Instruksjonene og advarslene som finnes i dem er ikke erstatninger for passende ulykkesforebyggende tiltak.

**⚠ ADVARSEL:** Sørg for å lese og forstå alle sikkerhetsanvisningene i denne bruksanvisningen, inkludert alle sikkerhetsvarselssymboler så som «FARE», «ADVARSEL» og «FORSIKTIG» før du bruker dette verktøyet. Hvis du ikke følger alle instruksjonene nedenfor, kan det føre til elektriske støt, brann og/eller alvorlig personskade.

## SYMBOLFORKLARINGER

**⚠ SIKKERHETSSYMBOL:** Indikerer FARE, ADVARSEL eller FORSIKTIG. Kan brukes sammen med andre symboler eller piktogrammer.



**⚠ ADVARSEL:** Bruk av hvilke som helst elektroverktøy kan føre til at fremmedlegemer blir kastet mot øynene, og dette kan føre til alvorlig øyeskader. Før du begynner å bruke elektroverktøyet, skal du alltid bruke vernebriller eller vernebriller med sidebeskyttelse, og en full ansiktsskjerm der det trengs. Vi anbefaler en Wide Vision Safety Mask til bruk over briller, eller standard vernebriller med sidebeskyttelse.

## SIKKERHETSINSTRUKSJONER

Denne siden viser og beskriver sikkerhetssymboler som finnes på produktet. Les, forstå og følg alle instruksjoner på maskinen før begynner montering og bruk.

	Sikkerhetsvarsel	Indikerer fare for mulig personskade.
	Les brukermanualen.	For å redusere risikoen for skader, må brukeren lese og forstå bruksanvisningen før produktet brukes.
	Bruk vernebriller	Bruk alltid vernebriller eller vernebriller med sidebeskyttelse, og full ansiktsskjerm når du bruker dette produktet.
	CE	Dette produktet er utformet i tråd med gjeldende EC-direktiver.
	WEEE	Elektrisk avfall må ikke kastes sammen med vanlig husholdningsavfall. Må avleveres på en godkjent gjenvinningsstasjon.
	Må ikke utsettes for regn	Skal ikke brukes i regn eller legges igjen utendørs mens det regner.
V	Volt	Spenning
mm	Millimeter	Lengde eller størrelse
cm	Centimeter	Lengde eller størrelse
in.	Tommer	Lengde eller størrelse
kg	Kilogram	Vekt
lb	Pund	Vekt
	Likestrøm	Type eller karakteristikk for spenningen

NO

### GENERELLE SIKKERHETSADVARSLER FOR ELEKTROVERKTØY

**⚠ ADVARSEL:** Les alle sikkerhetsadvarsler og instruksjoner. Hvis advarsler og instruksjoner ikke følges, kan det føre til elektriske støt, brann og/eller alvorlige personskader.

## Ta vare på alle advarsler og instruksjoner for fremtidig bruk.

Betegnelsen "elektroverktøy" i advarslene refererer til elektroverktøy som kobles til strømmettet (med ledning), eller batteridrevet (trådløst) elektroverktøy.

### SIKKERHET I ARBEIDSRÅDET

- **Hold arbeidsområdet rent og godt opplyst.** Rotete eller mørke områder gjør at det lettere kan oppstå ulykker.
- **Ikke bruk verktøyet i eksplosjonsfarlige omgivelser, for eksempel der det finnes brennbare væsker, bensin eller støv i nærheten.** Elektroverktøy lager gnister som kan antenne støv eller damp.
- **Hold barn og andre personer unna når elektroverktøyet er i bruk.** Distraksjoner kan føre til at du mister kontrollen.

### ELEKTRISK SIKKERHET

- **Støpselet til verktøyet må passe inn i stikkkontakten. Støpselet må ikke modifiseres eller gjøres om på noen som helst måte. Ikke bruk adapterstøpsler sammen med jordede elektroverktøy.** Støpsler det ikke er gjort endringer med og riktige stikkontakter reduserer risikoen for elektrisk støt.
- **Unngå kroppskontakt med jordete overflater som rør, radiatorer, komfyrer og kjøleskap.** Det er økt risiko for elektrisk støt hvis kroppen din er jordet.
- **Ikke utsett elektroverktøy for regn eller våte forhold.** Kommer det vann inn i et elektroverktøy, øker risikoen for elektrisk støt.
- **Ikke utsett ledningen for feil behandling. Ledningen må ikke brukes til å bære eller dra i verktøyet, eller til å dra det ut av stikkkontakten. Hold ledningen unna varme, olje, skarpe kanter eller bevegelige deler.** Skadede eller sammenflettede ledninger øker risikoen for elektrisk støt.
- **Når du bruker et elektroverktøy utendørs, må du bruke skjøteledning som er godkjent for dette.** Bruk av ledning som er egnet for utendørs bruk, reduserer risikoen for elektrisk støt.
- **Hvis du er nødt til å bruke et elektroverktøy i fuktige omgivelser, skal du bruke en jordfeilbryter-beskyttet strømforsyning.** Bruk av GFCI reduserer risikoen for elektrisk støt.

### PERSONLIG SIKKERHET

- **Vær oppmerksom, pass på hva du gjør og bruk sunn fornuft når du bruker elektroverktøy! Ikke bruk elektroverktøy når du er trøtt eller er påvirket av narkotika, alkohol eller medikamenter.** Et øyeblikks uoppmerksomhet ved bruk av elektroverktøy kan føre til alvorlige personskader.
- **Bruk personlig verneutstyr. Bruk alltid vernebriller.** Verneutstyr som støvmasker, sklisiske vernesko, hjelm eller hørselsvern når omgivelsene krever det, reduserer risikoen for personskader.
- **Unngå utilsiktet start. Pass på at bryteren er i av-stilling før du kobler til strømkilden og/eller batteripakken, eller når du løfter og bærer verktøyet.** Å bære elektroverktøy med fingeren på bryteren eller slå på verktøyet når bryteren er på, øker risikoen for ulykker.
- **Fjern eventuelle justeringsnøkler før du slår på elektroverktøyet.** Et verktøy eller en nøkkel som sitter igjen i en roterende del av elektroverktøyet kan føre til personskade.
- **Ikke strekk deg for langt. Pass på å ha skikkelig fotfeste og balanse til enhver tid.** Dette muliggjør bedre kontroll over elektroverktøyet i uventede situasjoner.
- **Kle deg riktig. Ikke bruk løstsittende klær eller smykker. Hold hår, klær og hansker unna bevegelige deler.** Løse klær, smykker eller langt hår kan sette seg fast i bevegelige deler.
- **Hvis det følger med utstyr for tilkopling av støvavsug og oppsamlingsutstyr, skal disse koples til og brukes riktig.** Bruk av støvenheter kan redusere støvrelaterte farer.

### BRUK OG VEDLIKEHOLD AV ELEKTROVERKTØY

- **Unngå å bruke makt når du håndterer elektroverktøyet. Bruk det riktige elektroverktøyet til det du skal gjøre.** Riktig elektroverktøy vil gjøre jobben bedre og sikrere og i den hastigheten verktøyet er ment for.
- **Ikke bruk elektroverktøyet hvis bryter ikke slår det på og av.** Elektroverktøy som ikke kan kontrolleres med bryteren, er farlig og må repareres.
- **Koble støpselet fra strømkilden og/eller ta batteripakken ut av verktøyet før du foretar justeringer, skifter tilbehør eller setter bort maskinen.** Slike forebyggende sikkerhetstiltak reduserer risikoen for at verktøyet starter ved et uhell.

NO

- **Oppbevar elektroverktøy utilgjengelig for barn, og ikke la personer som ikke er kjent med verktøyet eller disse instruksjonene betjene maskinen.**

Elektroverktøy er farlig når det brukes av uerfarne personer.

- **Vedlikehold av elektroverktøy. Se etter feiljusteringer eller oppbinding av bevegelige deler, skadede deler og eventuelle andre forhold som kan påvirke elektroverktøyet funksjon. Hvis skadet, må elektroverktøyet repareres før bruk.** Mange ulykker forårsakes av dårlig vedlikeholdte elektroverktøy.
- **Hold kutteverktøyet skjerpet og rent.** Riktig vedlikehold av kutteverktøy med skarpe kanter gjør at det er mindre sannsynlighet for oppbinding, og at det er lettere å kontrollere.
- **Bruk elektroverktøy, tilbehør, verktøy, osv. i henhold til disse anvisningene, og ta hensyn til arbeidsforholdene og arbeidet som skal utføres.** Bruk av elektroverktøy til andre formål enn det som er angitt, kan føre til farlige situasjoner.
- **Dette 56 V elektroverktøyet med benevnelse PH1400E kan bare brukes med følgende EGO-tilbehør:**

TYPE TILBEHØR	MODELLNUMMER
Kantskjærer	EA0800
Børstekutter	BCA1200
Trådtrimmer	STA1500
Stangsag	PSA1000
Hektrimmer	HTA2000

#### BRUK OG VEDLIKEHOLD AV BATTERIVERKTØY

- **Lades bare med ladere som er spesifisert av produsenten.** En lader som passer for én type batteripakke kan skape fare for brann når den brukes med andre batteripakker.
- **Elektroverktøyet skal bare brukes med den spesifiserte batteripakken som står oppført nedenfor.** Bruk av andre batteripakker kan skape risiko for skader og brann.

BATTERI	LADER
BA1120E, BA2240E, BA2800, BA3360, BA4200 (BA3360 og BA4200 er ikke anvendelig når den er utstyrt med børstekuttertilbehør)	CH5500E, CH2100E

- **Når batteriet ikke er i bruk, skal det holdes unna andre metallgjenstander som binders, mynter, nøkler, spikere, skruer eller andre små objekter av metall som kan lage forbindelse fra én terminal til en annen.** Kortslutning av batteripolene kan forårsake brannskader eller brann.
- **Under farlige forhold kan væske komme ut av batteriet. Unngå kontakt. Hvis kontakt oppstår ved uhell, skyll med vann. Får du væske i øynene, skal det i tillegg søkes medisinsk hjelp.** Væske som renner ut av batteriet, kan forårsake irritasjon eller brannså.

#### SERVICE

- **Få elektroverktøyet reparert av et kvalifisert serviceverksted, som kun bruker identiske reservedeler.** Dette gjør at sikkerheten til elektroverktøyet opprettholdes.
- Hvis situasjoner oppstår som ikke er dekket i denne håndboken, må du utvise forsiktighet og god dømmekraft. Kontakt EGOs servicesenter for å få hjelp.

#### TA VARE PÅ DISSE INSTRUKSJONENE

**ANDRE SPESIFIKKE REGLER OM SIKKERHET FINNES I HÅNDBOKEN TIL DET AKTUELLE TILBEHØRET**

**NO**

#### SPESIFIKASJONER

Spenning	56 V
Vekt (uten batteripakke)	2,73 kg

#### PAKKELISTE

NAVN PÅ DEL	MENGDE
Verktøyhode	1
Regulerbart hjelpehåndtak på forsiden	1
Skulderrem	1
Bruksanvisning	1

## BESKRIVELSE

### BLI KJENT MED VERKTØYHODET (Fig. A)

1. Luftuttak
2. Luftinntak
3. Bakhåndtak
4. Låseknapp
5. Hastighetsbryter høy/lav
6. Ring
7. Justerbart fremre hjelpehåndtak
8. Koplingsstykke
9. Stangutløserknapp
10. Vingeknott
11. Sperrestang
12. Utløser
13. Batteriutløsningsknapp
14. Gummiert beskyttelse
15. Lås
16. Elektriske kontakter
17. Utkastingsmekanisme
18. Skulderstropp (spesialtilbehør)

**NO**

## -ENHET

**⚠ ADVARSEL:** Hvis noen av delene er skadet eller mangler, må du ikke bruke dette produktet før delene er skiftet ut. Bruk av dette produktet med skadede eller mangler deler kan føre til alvorlig personskade.

**⚠ ADVARSEL:** Batteripakken skal alltid tas ut når du monterer deler, gjør justeringer, rengjør produktet, eller når produktet ikke er i bruk.

### MONTERE TILBEHØR PÅ VERKTØYHODET

**⚠ ADVARSEL:** Det er viktig å lese og forstå hele håndboken for det aktuelle tilbehøret du vil bruke, og å følge alle advarsler og instruksjoner. Hvis du ikke følger alle instruksjonene, kan det føre til elektrisk støt, brann og/eller alvorlig personskade.

**⚠ ADVARSEL:** Dette verktøyhode på 56 V med benevnelsen PH1400E er beregnet til bruk bare med EGO-tilbehør som er spesifisert i denne brukerhåndboken, eller som senere blir introdusert av EGO til bruk med dette verktøyhode. Bruk av annet tilbehør som ikke er godkjent for produktet, kan medføre alvorlig personskade eller skade på eiendeler.

**⚠ ADVARSEL:** Tilbehør må aldri festes, fjernes eller reguleres mens verktøyhode er i gang eller det er batteri i verktøyet. Hvis du ikke stopper motoren og fjerner batteriet, kan det oppstå alvorlig personskade. **VERKTØYHODET MÅ ALDRI BETJENES UTEN PÅSATT TILBEHØR.**

Tilbehøret festes til verktøyhode ved hjelp av et koplingsstykke.

1. Stopp motoren og ta ut batteripakken.
2. Løsne vingeknotten.
3. Ta endekapselen av tilbehøret. Juster pilen på enden av tilbehøret slik at den er på linje med kopleren, og skyv enden inn til du hører et klikk, noe som betyr at tilbehøret sitter riktig (Fig. B).

Se beskrivelse av delene til Fig. B nedenfor:

B-1	Tilbehørsstang	B-4	Pil på koplingsstykket
B-2	Pil på tilbehørsstang	B-5	Stangutløserknapp
B-3	Vingeknott	B-6	Skaft til verktøyhode

4. Dra i enden på tilbehørsstangen for å forsikre deg om at den sitter godt fast i koplingsstykket. Hvis ikke dreier du tilbehøret frem og tilbake i koplingsstykket til det låses på plass.
5. Stram vingeknotten godt.

**⚠ ADVARSEL:** Forsikre deg om at vingeknotten er strammet godt til før du starter verktøyet. Sjekk med jevne mellomrom at den sitter fast under bruk så du ikke risikerer alvorlig personskade.

### TA TILBEHØR AV VERKTØYHODET

1. Stopp motoren og ta ut batteripakken.
2. Løsne vingeknotten.
3. Trykk ned stangutløserknappen. Mens du holder denne nede, drar eller vrir du på tilbehørsstangen så den løsner fra koplingsstykket.

### MONTERING OG JUSTERING AV FREMRE HJELPEHÅNDTAK

1. Stopp motoren og ta ut batteripakken, hvis den allerede er installert.
2. Løsne vingemutteren for å ta av det regulerbare hjelpehåndtaket (Fig. C).

Se Fig. C under for beskrivelse av delene:

C-1	Låsehendel	C-3	Fremre hjelpehåndtak med sperreskinne
C-2	Tvinge	C-4	Vingemutter

3. Skyv hjelpehåndtaket inn på skaffet mellom ringen og koplingsstykket (Fig. D).
4. Sett tvingen inn i spalten på håndtaket (Fig. E).
5. Sett på låsehendelen og stram den midlertidig med vingemutteren. Pass på at det fremre hjelpehåndtaket vender opp og peker mot toppen av det bakre håndtaket (Fig. F).
6. Juster fremre hjelpehåndtak mellom ringen og koplingsstykket for å forsikre deg om at forsiden av armen din er rett når du betjener verktøyet (Fig. G).

Se Fig. G under for beskrivelse av delene:

G-1	Pil	G-2	Grenseområde
-----	-----	-----	--------------

7. Deretter hendelen i låst posisjon (Fig. H).

**⚠ ADVARSEL:** Bruk aldri verktøyet uten at det fremre hjelpehåndtaket er ordentlig på plass.

**⚠ ADVARSEL:** Hjelpehåndtaket skal bare festes mellom ringen og koplingsstykket.

### PÅSETTING AV SKULDERREM

Trykk kroken på remmen ned for å åpne den, og fest den på remhengeren på verktøyhodet (Fig. I).

## DRIFT

**⚠ ADVARSEL:** Ikke la fortrolighet med dette produktet gjøre deg uforsiktig. Husk at et uforsiktig tiendedel av et sekund er nok til å forårsake alvorlige skader.

**⚠ ADVARSEL:** Bruk alltid vernebriller. Dersom dette ikke blir gjort, kan du få fremmedlegemer inn i øynene eller pådra deg andre alvorlige skader.

**⚠ ADVARSEL:** Ikke bruk tilbehør eller deler som ikke er anbefalt av produsenten av produktet. Bruk av tilbehør eller deler som ikke anbefales, kan medføre alvorlige personskader.

**⚠ ADVARSEL: VERKTØYHODET MÅ ALDRI BETJENES UTEN PÅSATT TILBEHØR.**

### INSTALLERE/FJERNE BATTERIPAKKEN

**MERK:** Batteripakken skal fullades før første gangs bruk.

### Installering

Juster batteriillene i forhold til monteringssporene, og trykk batteripakken ned til du hører et klikk (Fig. J).

Se Fig. J under for beskrivelse av delene:

J-1	Monteringsspor
J-2	Riller

### Fjerning

Trykk ned batteriutløserknappen, og trekk batteripakken ut (Fig. K).

**ADVARSEL:** For å unngå alvorlig personskade skal du alltid fjerne batteripakken og holde hendene unna låseknappen og utløseren når du bærer eller transporterer verktøyet.

### STARTE/STOPPE VERKTØYHODET (Fig. L)

#### For å starte

Trykk ned låseknappen og hold den nede i denne posisjonen. Trykk på utløseren for å slå på verktøyhodet. Forskjellig trykk på utløseren gir forskjellig rotasjonshastighet på verktøyhodet. Mer trykk betyr høyere hastighet.

**NO**

#### For å stoppe

Slipp utløseren.

**MERK:** Motoren går bare når både spaken og utløseren er trykket ned.

### Hastighetsregulering (Fig. L)

Verktøyhodet har to hastighetsinnstillinger. Posisjon "1" er for lav hastighet og posisjon "2" for høy hastighet. Skyv eller dra i hastighetsreguleringen for å velge den hastigheten som passer.

Se Fig. L under for beskrivelse av delene:

L-1	Hastighetsbryter høy/lav
L-2	Låseknapp
L-3	Utløser

## VEDLIKEHOLD

**⚠ ADVARSEL:** Før du kontrollerer, rengjør eller vedlikeholder verktøyet, må du stoppe motoren, vente på at alle deler har stanset og så ta ut batteripakken. Hvis du ikke følger disse instruksjonene, kan det resultere i alvorlig personskade eller skade på eiendeler.

**⚠ ADVARSEL:** Ved service skal det bare brukes originale reservedeler. Inspiser og vedlikehold maskinen regelmessig. For sikre både sikkerheten og påliteligheten, skal alle reparasjoner utføres av en kvalifisert servicetekniker.

**MERK:** Hver gang du skal bruke produktet, må du sjekke at det ikke er skadet eller mangler deler som skruer, mutre, bolter, hetter osv. Trekk godt til alle festeordninger og hetter, og unngå å bruke produktet før du har fått byttet alle deler som mangler eller er skadet. Kontakt kundeservice eller en servicetekniker.

### GENERELT VEDLIKEHOLD

Unngå å bruke løsemidler når plastdeler skal rengjøres. De fleste plasttyper kan ta skade av ulike typer løsemidler som er i salg, og kan dermed bli ødelagt. Bruk rene kluter for å fjerne skitt, støv, olje, fett, etc.

### RENGJØRING AV VERKTØYHODET

1. Stopp motoren og ta ut batteripakken.
2. Fjern skitt og rusk fra verktøyhodet med en fuktig klut og et mildt rengjøringsmiddel.

**MERK:** Ikke bruk sterke vaskemidler på plashuset eller håndtaket. De kan bli skadet av visse aromatiske oljer, slik som furu og sitron.

### OPPBEVARING AV VERKTØYHODET

1. Ta batteripakken ut av verktøyhodet før oppbevaring.
2. Fjern alle fremmedelemerter fra verktøyhodet.
3. Oppbevar verktøyet på et sted som er utilgjengelig for barn.
4. Unngå at verktøyet kommer i kontakt med etsende midler, for eksempel hagekjemikalier og avisingssalter.

### Beskytt miljøet



Elektrisk utstyr, batterilader og batterier/oppladbare batterier skal ikke kastes i husholdningsavfall.

Ifølge EU-forskrift 2012/19/EU, skal elektrisk og elektronisk utstyr som ikke lenger er brukbart, og som i henhold til EU-forskrift 2006/66/EC har defekte eller brukte batteripakker/batterier, samles inn separat.

Hvis elektrisk apparater kastes på søppelfyllinger, kan farlige stoffer lekke ut i grunnvannet og komme inn i næringskjeden, og forårsake skader på helse og velvære.

## FEILSØKING

Se ellers håndboken til det aktuelle tilbehøret.

## GARANTI

### EGOs GARANTIREGLER

Besøk nettsiden [egopowerplus.com](http://egopowerplus.com) for å se fullstendige vilkår og betingelser for EGO-garantireglene.

01/12/2016

NO

## ПРОЧИТАЙТЕ ВСЕ ИНСТРУКЦИИ!



**ВНИМАТЕЛЬНО ПРОЧИТАЙТЕ  
РУКОВОДСТВО ПОЛЬЗОВАТЕЛЯ**

**⚠ Остаточные риски!** Если вы используете электронные устройства, такие как кардиостимулятор, перед эксплуатацией данного устройства проконсультируйтесь с врачом. Использование электрооборудования в непосредственной близости от кардиостимулятора может привести к образованию помех и повреждению кардиостимулятора.

**⚠ ПРЕДУПРЕЖДЕНИЕ.** Чтобы обеспечить безопасность и надежность устройства, его ремонт должен выполнять квалифицированный специалист.

## СИМВОЛЫ БЕЗОПАСНОСТИ

Символы безопасности предназначены для привлечения внимания к возможным рискам. Символы безопасности, а также объяснения к ним, требуют особого внимания и понимания. Предупреждения по технике безопасности сами по себе не устраняют опасность. Инструкции и предупреждения не заменяют соответствующие меры по предотвращению несчастных случаев.

**⚠ ПРЕДУПРЕЖДЕНИЕ.** Перед использованием устройства внимательно прочитайте все инструкции в данном руководстве пользователя и ознакомьтесь с предупреждающими символами безопасности, такими как «ОПАСНОСТЬ», «ПРЕДУПРЕЖДЕНИЕ» и «ВНИМАНИЕ». Несоблюдение всех приведенных ниже инструкций может привести к поражению электрическим током, возникновению пожара и/или получению серьезных травм.

## ЗНАЧЕНИЕ СИМВОЛОВ

**⚠ ПРЕДУПРЕЖДАЮЩИЙ СИМВОЛ** Означает **УВЕДОМЛЕНИЯ, ПРЕДУПРЕЖДЕНИЯ и ПРЕДОСТЕРЕЖЕНИЯ.** Может использоваться с другими символами или изображениями.






**⚠ ПРЕДУПРЕЖДЕНИЕ.** В результате работы электроинструмента в глаза могут попасть посторонние предметы, что приведет к серьезному повреждению глаз. Перед началом использования электроинструмента всегда надевайте защитную маску или защитные очки с боковыми щитками и полнопрофильную защитную маску (при необходимости). Поверх очков или стандартных защитных очков рекомендуется надевать маску Wide Vision Safety.

## ИНСТРУКЦИИ ПО ТЕХНИКЕ БЕЗОПАСНОСТИ

Далее приведено изображение и описание символов безопасности, которые могут присутствовать на данном устройстве. Перед сборкой или использованием внимательно прочитайте все инструкции, приведенные на устройстве, и соблюдайте их.

	Предупреждение об опасности	Указывает на потенциальную опасность получения травмы.
	Внимательно прочитайте руководство пользователя.	Чтобы уменьшить риск получения травм, перед использованием устройства необходимо прочитать и понять руководство по эксплуатации.
	Надевайте защитные очки.	При работе с данным устройством всегда используйте защиту для глаз или защитные очки с боковыми щитками и полнопрофильную защитную маску.
	CE	Соответствует основным требованиям стандартов безопасности Европейских директив.

**RU**

	WEEE	Неисправные электрические устройства нельзя выбрасывать вместе с бытовым мусором. Сдавайте их в авторизованные пункты сбора и утилизации.
	Не оставляйте под дождем.	Во время дождя не используйте устройство и не оставляйте его вне помещения.
V	Вольт	Напряжение
mm	Миллиметр	Длина или размер
cm	Сантиметр	Длина или размер
in.	Дюйм	Длина или размер
kg	Килограмм	Масса
lb	Фунт	Масса
	Постоянный ток	Тип или характеристика тока

RU

## ОБЩИЕ ПРАВИЛА ТЕХНИКИ БЕЗОПАСНОСТИ ПРИ РАБОТЕ С ЭЛЕКТРОИНСТРУМЕНТАМИ

**⚠ ПРЕДУПРЕЖДЕНИЕ.** Прочитайте все предупреждения и инструкции по технике безопасности. Несоблюдение этих предупреждений и инструкций может привести к поражению электрическим током, пожару и (или) тяжелым травмам.

### Сохраните все предупреждения и инструкции для использования в будущем.

Термин «электроинструмент» в предупреждениях означает электрический инструмент с питанием от сети (с кабелем) или электрический инструмент с питанием от аккумулятора (без кабеля).

### БЕЗОПАСНОСТЬ РАБОЧЕГО МЕСТА

- Обеспечьте чистоту и освещенность рабочего места. Загроможденные и плохо освещенные места служат причиной несчастных случаев.
- Не используйте электроинструменты во взрывоопасных местах, например вблизи горючих жидкостей, бензина или пыли. Электроинструменты генерируют искры, которые могут воспламенить пыль или испарения.

- Не позволяйте детям и посторонним находиться вблизи работающего электроинструмента. Отвлекающие факторы могут привести к потере контроля.

### ЭЛЕКТРОБЕЗОПАСНОСТЬ

- Вилка электроинструмента должна соответствовать розетке. Никогда не переделывайте вилку. Не используйте никакие переходники для вилок с заземлением. Использование оригинальных вилок и соответствующих им розеток уменьшает риск поражения электрическим током.
- Избегайте прикосновений к заземленным объектам, таким как трубы, радиаторы, плиты и холодильники. Риск поражения электрическим током выше, когда тело заземлено.
- Не подвергайте электроинструменты воздействию дождя или влаги. При попадании воды в электроинструмент увеличивается риск поражения электрическим током.
- Обращайтесь с кабелем аккуратно. Никогда не переносите, не тяните и не выключайте электроинструмент за кабель. Держите кабель подальше от источников тепла, масла, острых предметов или движущихся частей. Поврежденные или запутанные кабели повышают опасность поражения электрическим током.
- Для работы с электроинструментом вне помещения используйте предназначенный для этого удлинительный кабель. Использование кабеля, подходящего для использования вне помещения, снижает риск поражения электрическим током.
- Если использование электроинструмента в сыром помещении неизбежно, подключайте его через выключатель короткого замыкания на землю (ВКЗЗ). Использование ВКЗЗ уменьшает риск поражения электрическим током.

### ЛИЧНАЯ БЕЗОПАСНОСТЬ

- При использовании электроинструмента будьте бдительны, следите за своими действиями и следуйте здравому смыслу. Не пользуйтесь электроинструментом, если вы устали или находитесь под воздействием наркотиков, алкоголя или медикаментов. Даже кратковременная невнимательность при работе с электроинструментом может привести к тяжелым травмам.



- **Используйте средства индивидуальной защиты. Всегда используйте защитные средства для глаз.** Использование защитных средств, таких как респиратор, нескользкая защитная обувь, каска или средства защиты органов слуха в соответствующих условиях уменьшает риск получения травм.
- **Не допускайте непредвиденных запусков. Перед подключением инструмента к сети питания (или аккумулятору) и перед его переноской убедитесь, что выключатель находится в выключенном положении.** Не держите палец на выключателе при переноске электроинструментов и не включайте вилку в розетку, если электроинструмент включен. Это может привести к несчастному случаю.
- **Перед включением электроинструмента снимите с него регулировочные инструменты и гаечные ключи.** Регулировочный инструмент или гаечный ключ, оставленный на вращающейся части электроинструмента, может стать причиной травмы.
- **Не перенапрягайтесь. Всегда сохраняйте устойчивое положение и равновесие.** Это позволит лучше контролировать электроинструмент в непредвиденных ситуациях.
- **Одевайтесь надлежащим образом. Не надевайте свободную одежду и украшения. Держите волосы, одежду и перчатки подальше от движущихся частей.** Свободная одежда, украшения и длинные волосы могут попасть в движущиеся части.
- **При наличии пылеулавливающих устройств убедитесь в том, что они подключены и правильно работают.** Использование пылеулавливающих устройств снижает вред, причиняемый пылью.
- **Перед регулировкой, сменой аксессуаров или хранением отключите электроинструмент от сети питания и/или аккумуляторов.** Такие меры предосторожности уменьшают риск случайного запуска электроинструмента.
- **Храните неиспользуемые электроинструменты в местах, недоступных для детей, и не доверяйте электроинструмент лицам, не знакомым с ним и с этими инструкциями.** Электроинструменты опасны в руках неподготовленных пользователей.
- **Выполняйте техническое обслуживание электроинструментов. Проверьте выравнивание и сцепление подвижных деталей, наличие поломок и прочие условия, которые могут повлиять на работу электроинструмента. Если электроинструмент поврежден, перед использованием его необходимо отремонтировать.** Недостаточный уход за электроинструментом является причиной многих несчастных случаев.
- **Храните режущие инструменты в чистоте и заточенном состоянии.** Правильно обслуживаемые и хорошо заточенные режущие инструменты меньше заклинивают и лучше контролируются.
- **Используйте электроинструмент, аксессуары, насадки и т. п. в соответствии с этими инструкциями, учитывая условия и специфику выполняемой работы.** Использование электроинструмента для выполнения непредусмотренных операций может привести к опасным ситуациям.
- **Этот приводной блок 56 В PH1400E может использоваться только с указанными далее инструментами EGO.**

RU

### ИСПОЛЬЗОВАНИЕ И ОБСЛУЖИВАНИЕ ЭЛЕКТРОИНСТРУМЕНТА

- **Не прикладывайте к электроинструменту чрезмерных усилий. Используйте подходящий для ваших задач электроинструмент.** Правильно выбранный электроинструмент более эффективен и безопасен при номинальной нагрузке.
- **Не используйте электроинструмент, если его выключатель неисправен.** Электроинструменты с неисправным выключателем опасны и подлежат ремонту.

ТИП ИНСТРУМЕНТА	НОМЕР МОДЕЛИ
Инструмент для обрезки кромки	EA0800
Кусторез	BCA1200
Триммер с леской	STA1500
Высоторез	PSA1000
Вертикальный кусторез	HTA2000

## ЭКСПЛУАТАЦИЯ И ОБСЛУЖИВАНИЕ ИНСТРУМЕНТА С ПИТАНИЕМ ОТ АККУМУЛЯТОРА

- **Заряжайте аккумулятор только с помощью зарядного устройства, указанного изготовителем.** Зарядное устройство, предназначенное для одного типа аккумуляторных батарей, может стать причиной пожара при использовании с другим типом батарей.
- **Используйте электроинструмент только со специально предназначенными для него аккумуляторными батареями.** Использование любого другого вида аккумуляторных батарей может стать причиной несчастных случаев или пожара.

АККУМУЛЯТОР	ЗАРЯДНОЕ УСТРОЙСТВО
BA1120E, BA2240E, BA2800, BA3360, BA4200 (Аккумуляторы BA3360 и BA4200 неприменимы при использовании насадки кустореза)	CH5500E, CH2100E

- **Когда аккумулятор не используется, храните его отдельно от металлических предметов — канцелярских скрепок, монет, ключей, гвоздей, винтов и др. — они могут замкнуть контакты.** Короткое замыкание контактов аккумуляторной батареи может стать причиной ожогов или пожара.
- **При неблагоприятных обстоятельствах из аккумуляторной батареи может потечь электролит. Избегайте контакта с ним. При случайном контакте промойте водой. Если жидкость попала в глаза, обратитесь к врачу.** Жидкость из аккумуляторной батареи может вызвать раздражение и ожоги.

## ОБСЛУЖИВАНИЕ

- **Ремонт электроинструмента должен производиться квалифицированным специалистом с использованием только идентичных запасных частей.** Это обеспечит безопасную работу электроинструмента.
- **При возникновении ситуаций, не описанных в данном руководстве, соблюдайте осторожность и руководствуйтесь здравым смыслом.** Обратитесь в сервисный центр EGO за помощью.

## СОХРАНИТЕ ДАННЫЕ ИНСТРУКЦИИ!

**ДОПОЛНИТЕЛЬНЫЕ СПЕЦИАЛЬНЫЕ ПРАВИЛА ТЕХНИКИ БЕЗОПАСНОСТИ МОЖНО НАЙТИ В ИНСТРУКЦИЯХ ПО ЭКСПЛУАТАЦИИ ПРИМЕНЯЕМЫХ ИНСТРУМЕНТОВ**

## ТЕХНИЧЕСКИЕ ХАРАКТЕРИСТИКИ

Напряжение	56 V $\overline{\text{---}}$
Масса (без аккумулятора)	2,73 kg

## УПАКОВОЧНЫЙ ЛИСТ

НАЗВАНИЕ ДЕТАЛИ	КОЛИЧЕСТВО
Приводной блок	1
Регулируемая передняя вспомогательная рукоятка	1
Наплечный ремень	1
Руководство по эксплуатации	1

## ОПИСАНИЕ

### ЧАСТИ ПРИВОДНОГО БЛОКА (Рис. А)

1. Отверстие для выхода воздуха
2. Воздухозаборное отверстие
3. Задняя рукоятка
4. Кнопка блокировки
5. Переключатель высокой/низкой скорости
6. Ограничительное кольцо
7. Регулируемая передняя вспомогательная рукоятка
8. Муфта
9. Кнопка извлечения вала
10. Барашковый фиксатор
11. Защитная штанга
12. Курок
13. Кнопка фиксации аккумулятора
14. Резиновая защитная накладка
15. Фиксатор
16. Электрические контакты
17. Выталкивающий механизм
18. Наплечный ремень (специальный аксессуар)

## СБОРКА

**⚠ ПРЕДУПРЕЖДЕНИЕ.** Если какие-либо части повреждены или отсутствуют, не используйте устройство, пока они не будут заменены. Использование устройства в случае повреждения или отсутствия частей может привести к получению серьезной травмы.

**⚠ ПРЕДУПРЕЖДЕНИЕ.** Перед сборкой, регулировкой, очисткой, а также когда устройство не используется, всегда извлекайте из него аккумулятор.

### УСТАНОВКА ИНСТРУМЕНТОВ НА ПРИВОДНОЙ БЛОК

**⚠ ПРЕДУПРЕЖДЕНИЕ.** Полностью прочитайте руководство пользователя для каждого дополнительного инструмента, используемого с приводным блоком, и следуйте всем предупреждениям и инструкциям. Несоблюдение инструкций может привести к поражению электрическим током, возникновению пожара и/или получению серьезных травм.

**⚠ ПРЕДУПРЕЖДЕНИЕ.** Этот приводной блок 56 В RH1400E предназначен для использования только с моделями инструментов EGO, указанными в данном руководстве пользователя или рекомендованными EGO для использования с данным приводным блоком. Использование других неавторизованных инструментов может стать причиной серьезных травм и повреждения имущества.

**⚠ ПРЕДУПРЕЖДЕНИЕ.** Никогда не выполняйте установку, демонтаж или регулировку инструментов, если приводной блок работает или установлен аккумулятор. Двигатель должен быть остановлен, а аккумулятор извлечен, в противном случае существует риск получения серьезных травм. **НИКОГДА НЕ ИСПОЛЬЗУЙТЕ ПРИВОДНОЙ БЛОК БЕЗ УСТАНОВЛЕННОГО ИНСТРУМЕНТА.**

Инструмент соединяется с приводным блоком при помощи муфты.

1. Остановите двигатель и извлеките аккумулятор.
2. Открутите барашковый фиксатор.
3. Снимите колпачок с инструмента. Совместите стрелку на вале инструмента со стрелкой на муфте и вставьте вал инструмента в муфту до щелчка, чтобы зафиксировать инструмент на месте (Рис. В).

Описание частей на Рис. В

В-1	Вал инструмента	В-4	Стрелка на муфте
В-2	Стрелка на вале инструмента	В-5	Кнопка извлечения вала
В-3	Барашковый фиксатор	В-6	Вал приводного блока

4. Потяните за вал инструмента, чтобы убедиться, что он надежно зафиксирован в муфте. Если это не так, поворачивайте вал инструмента из стороны в сторону в муфте, пока он не встанет на место.

5. Надежно затяните барашковый фиксатор.

**⚠ ПРЕДУПРЕЖДЕНИЕ.** Перед использованием устройства убедитесь, что барашковый фиксатор полностью затянут. Во время использования время от времени проверяйте надежность его затяжения, чтобы предотвратить риск получения травм.

### ИЗВЛЕЧЕНИЕ ИНСТРУМЕНТА ИЗ ПРИВОДНОГО БЛОКА

1. Остановите двигатель и извлеките аккумулятор.
2. Открутите барашковый фиксатор.
3. Нажмите кнопку извлечения вала и, удерживая ее нажатой, вытяните или выкрутите вал инструмента из муфты.

RU

### УСТАНОВКА И РЕГУЛИРОВКА ПЕРЕДНЕЙ ВСПОМОГАТЕЛЬНОЙ РУКОЯТКИ

1. Остановите двигатель и извлеките аккумулятор, если он установлен.
2. Открутите барашковую гайку, чтобы снять регулируемую переднюю вспомогательную рукоятку (Рис. С).

Описание частей на Рис. С

С-1	Стопор	С-3	Передняя вспомогательная рукоятка с защитной штангой
С-2	Зажим	С-4	Барашковая гайка

3. Установите переднюю вспомогательную рукоятку на вал между ограничительным кольцом и муфтой (Рис. D).
4. Вставьте зажим в углубление рукоятки (Рис. E).
5. Установите стопор и предварительно затяните при помощи барашковой гайки. Убедитесь, что передняя вспомогательная рукоятка расположена вертикально и направлена к верхней части задней рукоятки (Рис. F).

6. Отрегулируйте переднюю вспомогательную рукоятку между ограничительным кольцом и муфтой, чтобы передняя рука была полностью выпрямлена во время использования (Рис. G).

Описание частей на Рис. G

G-1	Стрелка	G-2	Ограничительный диапазон
-----	---------	-----	--------------------------

7. А затем заблокируйте рычаг стопора (Рис. H).

**⚠ ПРЕДУПРЕЖДЕНИЕ.** Никогда не используйте устройство без надежно установленной передней вспомогательной рукоятки.

**⚠ ПРЕДУПРЕЖДЕНИЕ.** Фиксируйте переднюю вспомогательную рукоятку только между ограничительным кольцом и муфтой.

## УСТАНОВКА НАПЛЕЧНОГО РЕМНЯ

Нажмите на карабин ремня, чтобы открыть его, и присоедините к креплению плечевого ремня на приводном блоке (Рис. I).

## ИСПОЛЬЗОВАНИЕ

**RU**

**⚠ ПРЕДУПРЕЖДЕНИЕ.** Не допускайте небрежности и беспечности при работе с устройством. Помните, что потери бдительности на долю секунды достаточно для получения серьезной травмы.

**⚠ ПРЕДУПРЕЖДЕНИЕ.** Всегда используйте защитные средства для глаз. В противном случае выбрасываемые предметы попадут в глаза, что может привести к получению серьезной травмы.

**⚠ ПРЕДУПРЕЖДЕНИЕ.** Не используйте насадки или дополнительные приспособления, не рекомендованные производителем устройства. Использование нерекондованных насадок и дополнительных приспособлений может привести к серьезным травмам.

**⚠ ПРЕДУПРЕЖДЕНИЕ. НИКОГДА НЕ ИСПОЛЬЗУЙТЕ ПРИВОДНОЙ БЛОК БЕЗ УСТАНОВЛЕННОГО ИНСТРУМЕНТА.**

## УСТАНОВКА И ИЗВЛЕЧЕНИЕ АККУМУЛЯТОРА

**ПРИМЕЧАНИЕ.** Перед первым использованием полностью зарядите аккумулятор.

## Установка

Совместите ребра аккумулятора с крепежными отверстиями и вставьте аккумулятор до щелчка (Рис. J).

Описание частей на Рис. J

J-1	Крепежное отверстие
J-2	Ребро

## Извлечение

Нажмите кнопку фиксации аккумулятора и извлеките аккумулятор (Рис. K).

**ПРЕДУПРЕЖДЕНИЕ.** Чтобы предотвратить получение серьезной травмы, во время переноски и транспортировки инструмента всегда извлекайте аккумулятор и не держите руки на кнопке разблокировки и курковом переключателе.

## ВКЛЮЧЕНИЕ И ВЫКЛЮЧЕНИЕ ПРИВОДНОГО БЛОКА (Рис. L)

### Включение

Нажмите кнопку разблокировки и удерживайте ее. Затем зажмите курковый переключатель, чтобы включить приводной блок. Сила нажатия на курок влияет на скорость вращения приводного блока. Чем сильнее нажат курок, тем выше скорость.

### Выключение

Отпустите курок.

**ПРИМЕЧАНИЕ.** Двигатель работает только в том случае, когда рычаг блокировки и курок зажаты одновременно.

### Функция регулировки скорости (Рис. L)

Приводной блок имеет два скоростных режима. Положение «1» соответствует низкой скорости, а положение «2» — высокой. Используйте переключатель высокой/низкой скорости для выбора подходящей скорости во время использования.

Описание частей на Рис. L

L-1	Переключатель высокой/низкой скорости
L-2	Кнопка разблокировки
L-3	Курок

## ОБСЛУЖИВАНИЕ

**⚠ ПРЕДУПРЕЖДЕНИЕ.** Прежде чем выполнять проверку, очистку или обслуживание устройства, выключите двигатель, дождитесь, пока все движущиеся детали полностью остановятся, а затем извлеките аккумулятор. Несоблюдение данных инструкций может привести к серьезным травмам или материальному ущербу.

**⚠ ПРЕДУПРЕЖДЕНИЕ.** При ремонте используйте только идентичные запасные части. Регулярно проверяйте и выполняйте техническое обслуживание устройства. Чтобы обеспечить безопасность и надежность устройства, его ремонт должен выполнять квалифицированный специалист.

**ПРИМЕЧАНИЕ.** Перед каждым использованием полностью проверяйте устройство на наличие поврежденных, отсутствующих или ослабленных частей, таких как винты, гайки, болты, заглушки и т. д. Надежно закрепите все фиксаторы и заглушки и не пользуйтесь устройством до тех пор, пока не будут заменены поврежденные или отсутствующие части. Обратитесь в сервисный центр или к квалифицированному специалисту.

### ОБЩЕЕ ОБСЛУЖИВАНИЕ

Не используйте растворители для очистки пластиковых частей. Большинство пластиковых частей чувствительны к различным бытовым растворителям и могут быть повреждены. Для очистки от грязи, пыли, масла, смазки и т. п. используйте чистую ткань.

### ОЧИСТКА ПРИВОДНОГО БЛОКА

1. Остановите двигатель и извлеките аккумулятор.
2. Очистите приводной блок от грязи и мусора с помощью влажной ткани с мягким моющим средством.

**ПРИМЕЧАНИЕ.** Не используйте активные моющие средства для очистки пластикового корпуса или рукоятки. Они могут быть повреждены определенными ароматическими маслами, такими как хвойное и лимонное масла.

### ХРАНЕНИЕ ПРИВОДНОГО БЛОКА

1. Перед хранением извлеките аккумулятор из приводного блока.
2. Очистите приводной блок от всех инородных материалов.
3. Храните в недоступном для детей месте.
4. Храните вдали от источников коррозии, таких как садовые удобрения и техническая соль.

## Защита окружающей среды



Не выбрасывайте электрооборудование, зарядные устройства, батарейки и аккумуляторы вместе с бытовыми отходами!

В соответствии с европейским законом 2012/19/EU электрическое и электронное оборудование, которое не подлежит дальнейшей эксплуатации, а также непригодные и использованные батарейки и аккумуляторы (согласно европейскому закону 2006/66/EC) должны быть утилизированы отдельно.

При утилизации электрических устройств на свалках в подземные воды могут просочиться опасные вещества, которые затем попадут в пищевую цепь и приведут к общему ухудшению здоровья и благополучия.

## УСТРАНЕНИЕ НЕИСПРАВНОСТЕЙ

См. руководство пользователя используемого инструмента.

## ГАРАНТИЯ

### ГАРАНТИЙНАЯ ПОЛИТИКА EGO

Посетите веб-сайт [egopowerplus.com](http://egopowerplus.com), чтобы ознакомиться со всеми условиями и сроками гарантийной политики EGO.

01/12/2016

RU

## PRZECZYTAJ WSZYSTKIE INSTRUKCJE!



**ZAPOZNAJ SIĘ Z INSTRUKCJĄ OPERATORA**

**⚠ Ryzyko szczątkowe!** Osoby z urządzeniami elektronicznymi, takimi jak rozruszniki serca, powinny przed użyciem produktu skonsultować się ze swoim(i) lekarzem/-ami. Używanie urządzeń elektrycznych blisko rozrusznika serca może spowodować zakłócenia lub uszkodzić rozrusznik.

**⚠ OSTRZEŻENIE:** Aby zagwarantować bezpieczeństwo i niezawodność, wszystkie naprawy i wymiany części powinny być wykonywane przez wykwalifikowanych techników serwisu.

## SYMBOLE BEZPIECZEŃSTWA

Celem symboli bezpieczeństwa jest zwrócenie uwagi użytkownika na możliwe zagrożenia. Symbole bezpieczeństwa i objaśnienia do nich zastępują na to, by je uważnie przestudiować i zrozumieć. Symbole bezpieczeństwa nie eliminują same z siebie jakichkolwiek zagrożeń. Podawane w nich instrukcje i ostrzeżenia nie zastępują odpowiednich środków zapobiegania wypadkom.

**⚠ OSTRZEŻENIE:** Przed użyciem narzędzia prosimy przeczytać i zrozumieć wszystkie instrukcje dotyczące bezpieczeństwa podane w podręczniku użytkownika, łącznie z wszystkimi symbolami ostrzegawczymi takimi jak „NIEBEZPIECZEŃSTWO”, „OSTRZEŻENIE” i „UWAGA”. Niestosowanie się do wszystkich podanych niżej instrukcji może doprowadzić do porażenia prądem, pożaru i/lub poważnych obrażeń.

## ZNACZENIE SYMBOLI

**⚠ SYMBOL OSTRZEGAWCZY:** Oznacza NIEBEZPIECZEŃSTWO, OSTRZEŻENIE lub PRZESTROGĘ. Może być używany razem z innymi symbolami lub piktogramami.



**⚠ OSTRZEŻENIE:** Praca elektronarzędziami może spowodować wyrzucenie ciał obcych w oczy użytkownika, co może doprowadzić do poważnych urazów oczu. Przed rozpoczęciem pracy elektronarzędziem należy zawsze założyć gogle ochronne lub okulary z osłonami bocznymi, a w stosownych przypadkach

także pełną osłonę na twarz. Zalecamy nakładanie na zwykłe okulary maski zabezpieczającej o szerokim polu widzenia lub stosowanie standardowych okularów zabezpieczających z osłonami bocznymi.

## INSTRUKCJE DOTYCZĄCE BEZPIECZEŃSTWA

Na tej stronie pokazano i opisano symbole bezpieczeństwa, które mogą występować na produkcie. Przed podjęciem próby złożenia i użycia urządzenia należy przeczytać i zrozumieć wszystkie instrukcje dotyczące urządzenia oraz zastosować się do nich.

	Ostrzeżenie dotyczące bezpieczeństwa	Wskazuje na potencjalne ryzyko urazów ciała.
	Przeczytaj instrukcję operatora	Aby zmniejszyć ryzyko urazów, użytkownik musi przeczytać i zrozumieć instrukcję przed rozpoczęciem korzystania z produktu.
	Noś okulary ochronne	Podczas używania produktu należy zawsze nosić gogle ochronne lub okulary ochronne z osłonami bocznymi, a także pełną osłonę na twarz.
	CE	Ten produkt jest zgodny z mającymi zastosowanie dyrektywami WE.
	WEEE	Zużytych urządzeń elektrycznych nie należy wyrzucać razem ze zwykłymi odpadami domowymi. Należy je oddać do autoryzowanego punktu recyklingu.
	Chroń przed deszczem	Nie używać w deszczu i nie zostawiać na dworze podczas deszczu.
V	Wolt	Napięcie
mm	Milimetr	Długość lub rozmiar
cm	Centymetr	Długość lub rozmiar

in.	Cal	Długość lub rozmiar
kg	Kilogram	Ciężar
lb	Funt	Ciężar
	Prąd stały	Rodzaj lub charakterystyka prądu

## OGÓLNE OSTRZEŻENIA DOTYCZĄCE ELEKTRONARZĘDZI

**⚠ OSTRZEŻENIE:** Prosimy przeczytać wszystkie ostrzeżenia, zalecenia bezpieczeństwa i instrukcje. Niestosowanie się do ostrzeżeń i instrukcji może doprowadzić do porażenia prądem, pożaru i/lub poważnych obrażeń.

**Wszystkie ostrzeżenia i instrukcje należy zachować na przyszłość.**

Termin „elektronarzędzie” występujący w ostrzeżeniach dotyczy narzędzia elektrycznego o zasilaniu sieciowym (przewodowego) lub akumulatorowym (beprzewodowego).

### BEZPIECZEŃSTWO W MIEJSCU PRACY

- Należy dbać o czystość i dobre oświetlenie w miejscu pracy. Bałagan i złe oświetlenie sprzyjają wypadkom.
- Nie należy używać elektronarzędzi w miejscach zagrożonych wybuchem, np. w obecności łatwopalnych cieczy, benzyny lub pyłu. Elektronarzędzia wytwarzają iskry, które mogą zapalić opary lub pył.
- W czasie pracy elektronarzędzie należy trzymać z dala od dzieci i osób postronnych. Chwila nieuwagi może spowodować utratę kontroli nad urządzeniem.

### BEZPIECZEŃSTWO ELEKTRYCZNE

- Wtyczki elektronarzędzi muszą pasować do gniazdek. Nigdy w jakikolwiek sposób nie należy przerabiać wtyczki. Do elektronarzędzi wymagających uziemienia nie należy używać przejściówek. Oryginalne wtyczki i pasujące do nich gniazdzka zmniejszają ryzyko porażenia prądem.
- Należy unikać dotykania ciałem powierzchni uziemionych, takich jak np. rury, kaloryfery, kuchenki i lodówki. Uziemienie ciała zwiększa ryzyko porażenia prądem.
- Elektronarzędzia należy chronić przed deszczem i wilgocią. Woda dostająca się do wnętrza elektronarzędzia zwiększa ryzyko porażenia prądem.

- Nie należy nadwyręzać przewodu. Nigdy nie należy używać przewodu do noszenia lub ciągnięcia elektronarzędzia; nie wolno chwycić za przewód, aby wyjąć wtyczkę z kontaktu. Przewód należy chronić przed gorącym, olejem, ostrymi krawędziami i poruszającymi się częściami. Zaplątane lub uszkodzone przewody zwiększają ryzyko porażenia prądem.
- Podczas używania elektronarzędzia na dworze należy stosować przedłużacz nadający się do używania na dworze. Używanie przewodu przeznaczonego do stosowania na dworze zmniejsza ryzyko porażenia prądem.
- Jeżeli użycie elektronarzędzia w miejscu o dużej wilgotności jest nieuniknione, należy stosować zasilanie zabezpieczone wyłącznikiem różnicowoprądowym. Używanie wyłącznika różnicowoprądowego zmniejsza ryzyko porażenia prądem.

### BEZPIECZEŃSTWO OSOBISTE

- Podczas pracy narzędziem należy zachowywać czujność, patrzeć, co się robi i kierować się zdrowym rozsądkiem. Nie należy używać elektronarzędzia, gdy użytkownik jest zmęczony, albo pod wpływem narkotyków, alkoholu lub leków. Chwila nieuwagi w czasie posługiwania się narzędziami elektrycznymi może spowodować poważne obrażenia.
- Należy używać środków ochrony osobistej. Należy zawsze nosić okulary ochronne. Stosowanie w odpowiednich warunkach sprzętu ochronnego takiego jak np. maska przeciwpyłowa, obuwie ochronne z podeszwami antypoślizgowymi, kask lub ochronniki słuchu zmniejsza ryzyko obrażenia.
- Nie należy dopuszczać do przypadkowego włączenia. Należy pilnować, aby przed podłączeniem narzędzia do zasilania i/lub baterii akumulatorowej oraz przed podniesieniem i przenoszeniem przełącznik był ustawiony w pozycji „wylądzone”. Trzymanie palca na przełączniku w czasie przenoszenia narzędzi elektrycznych lub podłączanie ich do zasilania, gdy przełącznik jest ustawiony w pozycji „włączone” może doprowadzić do wypadku.
- Przed włączeniem elektronarzędzia należy usunąć wszystkie klucze regulacyjne i inne narzędzia. Klucz zaczepiony o obracającą się część narzędzia elektrycznego może spowodować obrażenia.
- Nie należy sięgać za daleko. Należy zawsze dbać o utrzymanie równowagi i pewne podparcie nóg. W nieprzewidzianych sytuacjach zapewnia to lepszą kontrolę nad elektronarzędziem.

PL

- **Należy nosić odpowiednią odzież.** Nie należy nosić luźnych ubrań ani biżuterii. Włosy, odzież i rękawice należy trzymać z dala od poruszających się części. Luźne ubrania, biżuteria lub długie włosy mogą zaczepić się o poruszające się części.
- **Jeżeli urządzenie jest przystosowane do podłączania do odsysacza pyłu i urządzenia zbierającego, należy dopilnować, aby systemy te były podłączone i właściwie stosowane.** Używanie urządzeń służących do pochłaniania pyłu może zmniejszyć zagrożenia związane z pyłem.

## UŻYWANIE I KONSERWOWANIE ELEKTRONARZĘDZI

- **Elektronarzędzia nie należy forsować.** Należy używać narzędzia dostosowanego do wykonywanej pracy. Odpowiednie narzędzie elektryczne wykona pracę lepiej i bezpieczniej, gdy pozwoli mu się pracować z prędkością/obrotami do jakich zostało zaprojektowane.
- **Nie należy używać elektronarzędzia, jeżeli przełącznik zasilania nie włącza go lub nie wyłącza.** Narzędzie, którego nie da się kontrolować przełącznikiem, jest potencjalnie niebezpieczne i wymaga naprawy.
- **Przed jakąkolwiek regulacją, wymianą akcesoriów lub schowaniem elektronarzędzia należy wyjąć wtyczkę z gniazdka i/lub odłączyć od narzędzia akumulator.** Tego typu zapobiegawcze środki ostrożności zmniejszają ryzyko przypadkowego włączenia się elektronarzędzia.
- **Nieużywane elektronarzędzia należy przechowywać w miejscu niedostępnym dla dzieci. Osobom, które nie znają narzędzia lub nie zapoznały się z instrukcją nie należy pozwalać go używać.** W rękach nieprzeszkolonych użytkowników narzędzia elektryczne mogą stanowić zagrożenie.
- **Elektronarzędzia należy utrzymywać w dobrym stanie.** Należy kontrolować, czy części ruchome nie są odchylone od osi, nie zacinają się i nie są pęknięte lub uszkodzone w inny sposób, który mógłby wpłynąć na działanie elektronarzędzia. W razie uszkodzenia, przed użyciem należy oddać narzędzie do naprawy. Wiele wypadków wynika ze złej konserwacji elektronarzędzi.
- **Należy dbać o czystość i naostrzenie narzędzi tnących.** Odpowiednio utrzymane narzędzia tnące z ostrymi krawędziami tnącymi są mniej narażone na zakleszczanie się i łatwiej jest je kontrolować.

- **Elektronarzędzi, akcesoriów, wiertel, bitów, itp. należy używać zgodnie z niniejszą instrukcją, z uwzględnieniem warunków i rodzaju wykonywanej pracy.** Korzystanie z elektronarzędzi niezgodnie z przeznaczeniem może prowadzić do niebezpiecznych sytuacji.
- **Głowicy uniwersalnej 56 V PH1400E można używać wyłącznie z następującymi końcówkami EGO:**

RODZAJ KOŃCÓWKI	NUMER MODELU
Końcówka do brzegów	EA0800
Kosa do zarośli	BCA1200
Podkaszarka	STA1500
Okrzesywarka na wysięgniku	PSA1000
Nożyce do żywopłotu na wysięgniku	HTA2000

## UŻYWANIE I KONSERWOWANIE NARZĘDZI AKUMULATOROWYCH

- **Do ładowania należy używać wyłącznie ładowarki wskazanej przez producenta.** Użycie ładowarki pochodzącej od jednego akumulatora do ładowania innego akumulatora grozi pożarem.
- **Elektronarzędzi należy używać wyłącznie z dedykowanymi do nich akumulatorami podanymi poniżej.** Użycie jakichkolwiek innych akumulatorów grozi obrażeniami i pożarem.

AKUMULATOR	ŁADOWARKA
BA1120E, BA2240E, BA2800, BA3360, BA4200 (Baterie BA3360 i BA4200 nie dotyczą przypadku, w którym urządzenie jest wyposażone w końcówkę kosa do zarośli)	CH5500E, CH2100E

- **Jeżeli akumulator nie jest używany, należy go przechowywać z dala od innych przedmiotów metalowych, np. spinaczy, monet, kluczy, gwoździ, śrub i innych drobnych przedmiotów metalowych, które mogłyby spowodować zwarcie wyprowadzeń akumulatora.** Zwarcie wyprowadzeń akumulatora może doprowadzić do oparzenia lub pożaru.
- **W niesprzyjających warunkach może dojść do wycieku cieczy z akumulatora. Należy wtedy unikać wszelkiego kontaktu z tą cieczą. W razie przypadkowego kontaktu ze skórą, zabrudzone miejsce należy obficie przemyć wodą. Jeżeli płyn dostanie się do oczu, należy dodatkowo zasięgnąć porady lekarza.** Płyn wyciekający z akumulatora może powodować podrażnienie lub oparzenia.



## SERWISOWANIE

- Serwisowanie urządzenia należy powierzyć wykwalifikowanemu technikowi, a do naprawy używać wyłącznie części zamiennych identycznych z oryginalnymi. Zapewni to bezpieczeństwo eksploatacji narzędzia elektrycznego.
- W sytuacjach, które nie zostały przewidziane w niniejszej instrukcji należy zachować ostrożność i kierować się własnym zdrowym rozsądkiem. W celu uzyskania pomocy prosimy skontaktować się z centrum serwisowym EGO.

## INSTRUKCJI NIE NALEŻY WYRZUCAĆ

### DODATKOWE SPECJALNE ZASADY BEZPIECZEŃSTWA ZNALEŻĆ MOŻNA W INSTRUKCJACH DO POSZCZEGÓLNYCH KOŃCÓWEK

## SPECYFIKACJA

Napięcie	56 V
Waga (bez akumulatora)	2,73 kg

## LISTA ELEMENTÓW W OPAKOWANIU

NAZWA CZĘŚCI	ILOŚĆ
Głowica uniwersalna	1
Regulowany przedni uchwyt pomocniczy	1
Pasek na ramię	1
Instrukcja Operatora	1

## OPIS

### ZAPOZNANIE SIĘ Z GŁOWICĄ UNIWERSALNĄ (Rys. A)

1. Wylot powietrza
2. Wlot powietrza
3. Uchwyt tylny
4. Przycisk odblokowujący
5. Przełącznik prędkości duża/mala
6. Pierścień progowy
7. Regulowany przedni uchwyt pomocniczy
8. Sprzęgacz

9. Przycisk odłączania wałka
10. Pokrętko motylkowe
11. Pręt oddzielający
12. Przycisk spustowy
13. Przycisk wyjmowania akumulatora
14. Gumowa nakładka zabezpieczająca
15. Zatrzask
16. Styki elektryczne
17. Mechanizm odłączania
18. Pasek na ramię (wyposażenie specjalne)

## MONTAŻ

**⚠ OSTRZEŻENIE:** W przypadku braku lub uszkodzenia którejs z części nie należy uruchamiać urządzenia aż do momentu wymiany lub naprawy części. Używanie urządzenia z uszkodzonymi lub brakującymi częściami może doprowadzić do poważnych urazów ciała.

**⚠ OSTRZEŻENIE:** Przed montażem części, regulacją i czyszczeniem oraz gdy produkt nie jest używany należy zawsze wyjąć z niego akumulator.

### ZAKŁADANIE KOŃCÓWKI NA GŁOWICĘ UNIWERSALNĄ

**⚠ OSTRZEŻENIE:** Prosimy przeczytać i zrozumieć całą instrukcję operatora do każdej opcjonalnej końcówki używanej z głowicą uniwersalną, należy też zastosować się do wszystkich podanych ostrzeżeń i instrukcji. Niestosowanie się do wszystkich instrukcji może doprowadzić do porażenia prądem, pożaru i/lub poważnych obrażeń.

**⚠ OSTRZEŻENIE:** Głowicę uniwersalną PH1400E 56 V zaprojektowano do używania tylko z końcówkami EGO i tylko z modelami podanymi w instrukcji operatora lub wprowadzonymi przez EGO w późniejszym okresie z przeznaczeniem do używania razem z tą głowicą. Używanie innych końcówek, które nie zostały zatwierdzone przez producenta może doprowadzić do poważnych urazów lub szkód materialnych.

**⚠ OSTRZEŻENIE:** Nigdy nie należy zakładać, zdejmować ani regulować jakichkolwiek końcówek, gdy głowica uniwersalna pracuje lub z założonym akumulatorem. Niewyłączenie silnika narzędzia i niewyjęcie akumulatora może spowodować poważne urazy ciała. **NIGDY NIE NALEŻY WŁĄCZAĆ GŁOWICY BEZ ZAŁOŻONEJ KOŃCÓWKI.**

Końcówka jest połączona z głowicą za pomocą elementu sprzągającego.

1. Wylączyć silnik i wyjąć akumulator.
2. Odkręcić pokrętkę motylkowe.
3. Zdjąć z końcówki nasadkę końcową. Dopasować strzałkę na wałku końcówki do strzałki na sprzągaczu i wsunąć wałek końcówki do sprzągacza aż do punktu, w którym będzie słychać kliknięcie, które oznacza, że wałek końcówki został zamocowany w sprzągaczu (Rys. B).

Rys. B – opis części patrz poniżej:

B-1	Wałek na końcówkę	B-4	Strzałka na sprzągaczu
B-2	Strzałka na wałku na końcówkę	B-5	Przycisk odłączania wałka
B-3	Pokrętko motylkowe	B-6	Wałek głowicy

4. Pociągnąć wałek końcówki, aby upewnić się, czy jest on dobrze zamocowany w sprzągaczu. Jeśli nie jest, przekręcić wałek końcówki na boki w sprzągaczu aż zablokuje się i zaskoczy.
5. Mocno dokręcić pokrętko motylkowe.

**⚠ OSTRZEŻENIE:** Przed użyciem urządzenia należy dopilnować, aby pokrętko motylkowe było całkowicie dokręcone, w czasie użytkowania pokrętko należy okresowo kontrolować, aby nie dopuścić do poważnych urazów.

## ZDEJMOWANIE KOŃCÓWKI Z GŁOWICY UNIWERSALNEJ

1. Wylączyć silnik i wyjąć akumulator.
2. Odkręcić pokrętko motylkowe.
3. Naciśnąć przycisk odłączania wałka i przy wciśniętym przycisku pociągnąć lub wykręcić końcówkę ze sprzągacza.

## MOCOWANIE I REGULACJA PRZEDNIEGO UCHWYTU POMOCNICZEGO

1. Wylączyć silnik i wyjąć akumulator, o ile jest założony.
2. Poluzować pokrętko motylkowe, aby oddzielić regulowany przedni uchwyt pomocniczy (Rys. C).

Rys. C – opis części patrz poniżej:

C-1	Drażek blokujący	C-3	Przedni uchwyt pomocniczy z prętem oddzielającym
C-2	Blok zaciskowy	C-4	Nakrętka motylkowa

3. Wcisnąć przedni uchwyt pomocniczy na wałek między pierścieniem progowym a sprzągaczem (Rys. D).
4. Włożyć blok zaciskowy w szczelinę uchwytu (Rys. E).
5. Zamontować drążek blokujący i wstępnie dokręcić go nakrętką motylkową. Dopilnować, aby przedni uchwyt pomocniczy był skierowany do góry i w stronę górnej części uchwytu tylnego (Rys. F).
6. Wyregulować przedni uchwyt pomocniczy między pierścieniem progowym a sprzągaczem, aby przednie ramię użytkownika było proste podczas pracy (Rys. G).

Rys. G – opis części patrz poniżej:

G-1	Strzałka	G-2	Ograniczony zakres
-----	----------	-----	--------------------

7. Zablokować dźwignię drążka blokującego (Rys. H).

**⚠ OSTRZEŻENIE:** Nigdy nie należy włączać narzędzia mocno założonego przedniego uchwytu pomocniczego.

**⚠ OSTRZEŻENIE:** Przedni uchwyt pomocniczy należy mocować tylko między pierścieniem progowym a sprzągaczem.

## MONTAŻ PASKA NA RAMIĘ

Wcisnąć zaczep na pasek, aby go otworzyć i zaczepić go na wieszaku mocującym paskę na ramieniu na głowicy uniwersalnej (Rys. I).

## UŻYTKOWANIE

**⚠ OSTRZEŻENIE:** Nie wolno dopuścić do tego, aby znajomość narzędzia doprowadziła do nieuwagi. Należy pamiętać, że do spowodowania poważnych obrażeń wystarczy zaledwie chwila nieuwagi.

**⚠ OSTRZEŻENIE:** Należy zawsze nosić okulary ochronne. Nieprzestrzeżenie tego zalecenia może doprowadzić do poważnych obrażeń oczu odłamkiem lub skrawkiem materiału wyrzuconym przez pracujące narzędzie, a także grozi innymi możliwymi urazami.

**⚠ OSTRZEŻENIE:** Nie należy używać końcówek lub akcesoriów innych niż zalecane przez producenta produktu. Używanie końcówek lub akcesoriów innych niż zalecane może doprowadzić do poważnych obrażeń.

**⚠ OSTRZEŻENIE: NIGDY NIE NALEŻY WŁĄCZAĆ GŁOWICY BEZ ZAŁOŻONEJ KOŃCÓWKI.**

## ZAKŁADANIE/WYJMOWANIE AKUMULATORA

**UWAGA:** Przed pierwszym użyciem należy całkowicie naładować akumulator.

## Instalacja

Należy wyrównać żeberka akumulatora względem szczelin mocujących i wsunąć akumulator do ładowarki aż da się słyszeć kliknięcie (Rys. J).

Rys. J – opis części patrz poniżej:

J-1	Szczelina mocująca
J-2	Żebro

## Wijmowanie

Należy wcisnąć przycisk wyjmowania akumulatora i wysunąć akumulator (Rys. K).

**OSTRZEŻENIE:** Aby uniknąć poważnych obrażeń ciała, na czas przenoszenia i transportowania narzędzia należy zawsze wyjmować akumulator. Ręce należy trzymać z dala od przycisku odblokowującego i spustu.

## WŁĄCZANIE/WYŁĄCZANIE GŁOWICY UNIWERSALNEJ (Rys. L)

### Włączenie

Należy wcisnąć i przytrzymać przycisk odblokowujący. Wcisnąć spust, aby włączyć głowicę. Zmiana siły nacisku na spust powoduje zmianę obrotów wałka głowicy. Im silniej naciskany jest spust, tym większa prędkość.

### Wyłączenie

Puścić przycisk spustowy.

**UWAGA:** Silnik będzie pracował tylko pod warunkiem wciśnięcia zarówno dźwigni odblokowującej jak i spustu.

### Funkcja regulacji prędkości (Rys. L)

Głowica ma dwa ustawienia prędkości. Pozycja „1” oznacza małą prędkość, pozycja „2” – dużą prędkość. Aby wybrać odpowiednie ustawienie prędkości, w czasie pracy wystarczy przestawić przełącznik prędkości w odpowiednią pozycję.

Rys. L – opis części patrz poniżej:

L-1	Przełącznik prędkości duża/mala
L-2	Przycisk odblokowujący
L-3	Spust

## KONSERWACJA

**▲ OSTRZEŻENIE:** Przed kontrolą, czyszczeniem lub serwisowaniem urządzenia należy wyłączyć silnik, odczekać aż wszystkie poruszające części zatrzymają się i wyjąć akumulator. Niezastosowanie się do powyższych instrukcji może doprowadzić do poważnych obrażeń ciała lub do uszkodzenia mienia.

**▲ OSTRZEŻENIE:** Podczas serwisowania należy używać wyłącznie części zamiennych identycznych z oryginalnymi. Maszynę należy regularnie kontrolować i konserwować. Aby zagwarantować bezpieczeństwo i niezawodność, wszystkie naprawy powinny być wykonywane przez wykwalifikowanych techników serwisu.

**UWAGA:** Przed każdym użyciem należy skontrolować cały produkt pod kątem ewentualnych uszkodzeń, brakujących lub poluzowanych części takich jak śruby, nakrętki, kołpaki i korki itp. Wszystkie elementy mocujące i kołpaki należy mocno dokręcić. Produktu nie należy włączać do czasu aż wszystkie brakujące lub uszkodzone części nie zostaną wymienione. Prosimy skontaktować się z działem obsługi klienta lub wykwalifikowanym technikiem serwisu.

## KONSERWACJA OGÓLNA

Podczas czyszczenia części plastikowych należy unikać używania rozpuszczalników. Pod wpływem kontaktu z różnego rodzaju rozpuszczalnikami dostępnymi w handlu większość tworzyw może ulec uszkodzeniu. Do usuwania zabrudzeń, kurzu, oleju, smaru itp. należy używać czystych ściereczek.

## CZYSZCZENIE GŁOWICY UNIWERSALNEJ

1. Wyłączyć silnik i wyjąć akumulator.
2. Usunąć ziemię i zanieczyszczenia z głowicy wilgotną ściereczką z delikatnym detergentem.

**UWAGA:** Do czyszczenia części plastikowych lub uchwytu nie należy używać jakichkolwiek silnych detergentów. Elementy te mogą zostać uszkodzone przez niektóre olejki aromatyczne, takie jak olejek sosnowy i cytrynowy.

## PRZECHOWYWANIE GŁOWICY UNIWERSALNEJ

1. Przed schowaniem z głowicy należy wyjąć akumulator.
2. Oczyszczyć głowicę z wszystkich zanieczyszczeń.
3. Wyrób należy przechowywać w miejscu niedostępnym dla dzieci.
4. Wyrób należy chronić przed żrącymi substancjami takimi jak chemia ogrodnicza i sól do usuwania lodu.

PL

## Ochrona środowiska



Urządzeń elektrycznych, ładowarki do akumulatorów oraz akumulatorów/baterii akumulatorowych nie należy wyrzucać do zwykłych zmieszanych śmieci domowych!

Zgodnie z dyrektywami Wspólnoty Europejskiej, odpowiednio nr 2012/19/WE i 2006/66/WE, urządzenia elektryczne i elektroniczne nienadające się dłużej do użycia oraz uszkodzone lub zużyte akumulatory/baterie trzeba zbierać oddzielnie.

Wyrzucanie urządzeń elektrycznych na wysypisko grozi wyciekami niebezpiecznych substancji do wód gruntowych i przedostaniem się ich do łańcucha pokarmowego, ze szkodą dla zdrowia i jakości życia użytkownika.

## ROZWIĄZYWANIE PROBLEMÓW

Patrz instrukcja obsługi do odpowiednich końcówek.

## GWARANCJA

### POLITYKA GWARANCYJNA EGO

W celu zapoznania się z wszystkimi warunkami polityki gwarancyjnej EGO prosimy odwiedzić stronę [egopower-plus.com](http://egopower-plus.com).

PL

01/12/2016

## PŘEČTĚTE SI VŠECHNY POKYNY!



### PŘEČTĚTE SI NÁVOD K OBSLUZE

**⚠ Zbytkové riziko!** Lidé s elektronickými přístroji, jako jsou např. kardiostimulátory, by se měli před použitím toho výrobku poradit se svým lékařem. Použití elektrického zařízení v těsné blízkosti kardiostimulátoru může způsobit narušení činnosti nebo poruchu kardiostimulátoru.

**⚠ VAROVÁNÍ:** Z důvodu bezpečnosti by měl všechny opravy a výměny provádět kvalifikovaný servisní technik.

## BEZPEČNOSTNÍ SYMBOLY

Účelem bezpečnostních symbolů je upoutat vaši pozornost k případným nebezpečím. Bezpečnostní symboly a jejich vysvětlení vyžadují vaši zvýšenou pozornost a porozumění. Výstražné symboly samy o sobě nevylučují žádné nebezpečí. Pokyny a varování nejsou náhradou vhodných opatření pro prevenci úrazů.

**⚠ VAROVÁNÍ:** Před použitím tohoto nástroje si přečtěte a seznamte se se všemi bezpečnostními pokyny v tomto návodu k obsluze včetně veškerých výstražných symbolů, jako např. „**NEBEZPEČÍ**“, „**VAROVÁNÍ**“ nebo „**UPOZORNĚNÍ**“. Nedodržení níže uvedených pokynů může mít za následek úraz elektrickým proudem, požár a nebo vážná poranění osob.

## VÝZNAM SYMBOLŮ

### ⚠ BEZPEČNOSTNÍ VÝSTRAŽNÉ SYMBOLY:

Upozorňují na **NEBEZPEČÍ**, **VAROVÁNÍ**, nebo **UPOZORNĚNÍ**. Lze je používat ve spojení s jinými symboly nebo piktogramy.



**⚠ UPOZORNĚNÍ:** Při použití elektrického nářadí může dojít k vyvrstvení cizích těles do očí, což může způsobit jejich závažné poškození. Před použitím elektrického nářadí si vždy nasadte ochranné brýle, ochranné brýle s bočními kryty nebo v případě potřeby obličejový štít. Na brýle nebo standardní ochranné brýle s bočními kryty doporučujeme použít ochrannou masku.

## BEZPEČNOSTNÍ POKYNY

Na této stránce jsou zobrazeny a popsány bezpečnostní symboly, které se mohou objevit na výrobku. Před montáží a provozem si přečtěte, seznamte se a dodržujte veškeré pokyny ke stroji.

	Bezpečnostní upozornění	Upozorňuje na možné riziko úrazu.
	Přečtěte si návod k obsluze	Z důvodu snížení rizika úrazu si musí uživatel před použitím tohoto výrobku přečíst a seznámit se s návodem k obsluze.
	Používejte ochranu očí	Vždy noste ochranné brýle, ochranné brýle s bočními kryty nebo obličejový štít při použití tohoto výrobku.
	CE	Tento výrobek je v souladu s platnými směrnici ES.
	WEEE	Odpadní elektrické výrobky se nesmí likvidovat s domovním odpadem. Odevzdejte do autorizovaného recyklačního střediska.
	Nevystavujte ji dešti.	Nepoužívejte v daždi, alebo nenechajte vonku, keď prší.
V	Voltů	Napětí
mm	Milimetr	Délka nebo velikost
cm	Centimetr	Délka nebo velikost
in.	Palec	Délka nebo velikost
kg	Kilogram	Hmotnost
lb	Libra	Hmotnost
	Stejnosměrný proud	Druh nebo vlastnosti proudu

CZ

## OBECNÁ BEZPEČNOSTNÍ VAROVÁNÍ PRO PRÁCI S ELEKTRICKÝM NÁŘADÍM

**⚠ VAROVÁNÍ:** Přečtěte si všechny bezpečnostní varování a pokyny. Nedodržení varování a pokynů může mít za následek úraz elektrickým proudem, požár anebo vážný úraz.

Všechna varování a pokyny si uschovejte pro budoucí použití.

Termín „elektrické nářadí“ ve varováních odkazuje na vaše elektrické (s kabelem) nebo akumulátorové (bez kabelu) elektrické nářadí.

### BEZPEČNOST NA PRACOVIŠTI

- **Udržujte pracovní prostor v čistotě a dobře osvětlený.** Nepořádek nebo neosvětlené pracovní oblasti mohou vést k úrazům.
- **Nepracujte s elektrickým nářadím ve výbušném prostředí, například v přítomnosti hořlavých kapalin, benzínu nebo prachu.** Elektrické nástroje a přístroje totiž produkují jiskru, která může zapálit prach nebo výpary.
- **Při práci s elektrickým nářadím udržujte děti a přihlížející osoby v bezpečné vzdálenosti.** Při rozptýlení můžete ztratit kontrolu nad zařízením.

### ELEKTRICKÁ BEZPEČNOST

- **Zástrčka napájecího kabelu nářadí musí odpovídat zásuvce. Zástrčku nikdy nijak neupravujte.** Nepoužívejte adaptér zástrčky s uzemněným (ukostřeným) elektrickým nářadím. Neupravené zástrčky a shodné zásuvky snižují riziko úrazu elektrickým proudem.
- **Zabraňte kontaktu těla s uzemněnými povrchy, jako jsou potrubí, radiátory, sporáky a ledničky.** Existuje zvýšené riziko úrazu elektrickým proudem, pokud je vaše tělo uzemněno.
- **Nevystavujte elektrické nářadí dešti nebo vlhkému prostředí.** Vniknutí vody do elektrického nářadí zvyšuje riziko úrazu elektrickým proudem.
- **Nezatěžujte kabel. Nikdy nepoužívejte napájecí kabel k přenášení nářadí, tahání nebo vytahování zástrčky ze zásuvky. Udržujte kabel daleko od tepla, oleje, ostrých hran nebo pohyblivých částí.** Poškozené nebo spletené kabely zvyšují riziko úrazu elektrickým proudem.
- **Při práci s nářadím venku používejte prodlužovací kabel vhodný pro venkovní použití.** Použití kabelu vhodného pro venkovní použití snižuje riziko úrazu elektrickým proudem.

- **Pokud musíte s elektrickým nářadím pracovat ve vlhkém prostředí, použijte napájení chráněné zemním jističem.** Použití přerušovače zemního obvodu (GFCI) snižuje riziko úrazu elektrickým proudem.

### BEZPEČNOST OSOB

- **Zůstaňte stále pozorní, sledujte, co děláte a používejte zdravý rozum při práci s elektrickým nářadím. Nepoužívejte elektrické nářadí, jste-li unaveni nebo pod vlivem drog, alkoholu nebo léků.** Chvilka nepozornosti při práci s nářadím může vést k vážnému zranění.
  - **Používejte osobní ochranné pracovní prostředky. Vždy používejte ochranu očí.** Ochranné pomůcky, jako např. respirátor, protiskluzová bezpečnostní obuv, pevná přilba nebo chrániče sluchu používané ve vhodném prostředí sniží riziko úrazu.
  - **Zabraňte náhodnému spuštění. Před připojením ke zdroji napětí a/nebo akumulátoru, zvednutím nebo přenášením nářadí se ujistěte, že spínač je ve vypnuté poloze.** Přenášení elektrického nářadí s prstem na spínači, nebo zapojování elektrického nářadí, které má zapnutý spínač, může snadno způsobit nehodu či úraz.
  - **Před zapnutím elektrického nářadí odstraňte seřizovací klíče nebo klíče.** Nástroj nebo klíč, který ponecháte připevněn k otáčející se části elektrického nářadí, může způsobit osobní zranění.
  - **Nepřeceňujte se. Vždy udržujte pevný postoj a rovnováhu.** To umožňuje lepší ovladatelnost nářadí v neočekávaných situacích.
  - **Vhodně se oblékejte. Nenoste volný oděv ani šperky. Udržujte své vlasy, oblečení a rukavice mimo dosah pohyblivých částí.** Volný oděv, šperky nebo dlouhé vlasy se mohou zachytit do pohyblivých se dílů.
  - **Pokud je zařízení vybaveno adaptérem pro připojení odsávání prachu a sběrnými zařízeními, zajistěte jejich správné připojení a řádnou funkci.** Použití zařízení k odsávání prachu může snížit rizika spojená s prachem.
- ### POUŽITÍ A PÉČE O ELEKTRICKÉ NÁŘADÍ
- **Netlačte příliš na nářadí. Používejte správný typ nářadí pro vaši aplikaci.** Správné elektrické nářadí bude pracovat lépe a bezpečněji rychleji, pro kterou bylo navrženo.
  - **Nepoužívejte nářadí, pokud ho spínač nezapne a nevypne.** Jakékoliv elektrické nářadí, které nelze ovládat spínačem, je nebezpečné a musí být opraveno.

- Před jakýmkoliv seřizováním, výměnou příslušenství nebo před uložením nepoužívaného elektrického nářadí odpojte zástrčku od zdroje energie a/nebo akumulátoru. Tato preventivní bezpečnostní opatření snižují riziko náhodného spuštění nářadí.
- Uložte elektrické nářadí mimo dosah dětí a nedovolte ostatním osobám, které nejsou seznámeny s elektrickým nářadím nebo s tímto návodem, aby s nářadím pracovali. Elektronářadí je nebezpečné v rukou nekalifikované obsluhy.
- Provádějte pravidelnou údržbu elektrického nářadí. Zkontrolujte vychýlení či zaseknutí pohyblivých částí, poškození jednotlivých dílů a jiné okolnosti, které mohou ovlivnit chod nářadí. Je-li nářadí poškozeno, nechejte ho před použitím opravit. Mnoho nehod je způsobeno nedostatečnou údržbou nářadí.
- Udržujte řezné nástroje ostré a čisté. Řádně udržované řezné nástroje s ostrými řeznými břity jsou méně náchylné k zanášení nečistotami a lépe se ovládají.
- Používejte elektrické nářadí, příslušenství a koncové nástavce atd. v souladu s těmito pokyny s přihlédnutím k pracovním podmínkám a práci, která má být provedena. Použití elektrického nástroje na činnosti jiné, než je určující použití, může vést k nebezpečným situacím.
- Tato 56V pohonná hlava PH1400E se může používat pouze s následujícími EGO nástavci:

TYP NÁSTAVCE	ČÍSLO MODELU
Ořezávač	EA0800
Křovinořez	BCA1200
Strunová sekačka	STA1500
Tyčová pila	PSA1000
Plotové nůžky	HTA2000

#### POUŽITÍ A PÉČE O AKUMULÁTOROVÉ NÁŘADÍ

- Nabíjejte pouze v nabíječce určené výrobcem. Nabíječka vhodná pro jeden typ akumulátoru může způsobit riziko požáru při použití s jiným akumulátorem.
- Používejte elektrické nářadí pouze s výslovně určenými níže uvedenými akumulátory. Použití jiných akumulátorů může způsobit riziko úrazu a požáru.

AKUMULÁTOR	NABÍJEČKA
BA1120E, BA2240E, BA2800, BA3360, BA4200 (BA3360 a BA4200 nejsou použitelné, když se použije nástavec pro křovinořez)	CH5500E, CH2100E

- Pokud akumulátor nepoužíváte, držte jej z dosahu kovových předmětů, jako jsou kancelářské sponky na papír, mince, klíče, hřebíky, šroubky nebo další drobné kovové předměty, které mohou spojit vývody baterie navzájem. Zkratování kontaktů baterie může způsobit spáleniny nebo požár.
- V nevhodných podmínkách může kapalina unikat z baterie. Zabraňte kontaktu. Při náhodném kontaktu opláchněte vodou. Při zasažení očí kapalinou vyhledejte lékařskou pomoc. Unikající kapalina z akumulátoru může způsobit podráždění pokožky nebo popáleniny.

#### SERVIS

- Svěťte opravu vašeho nářadí kvalifikované osobě používající pouze shodné náhradní díly. Tím zajistíte bezpečnost elektrického nářadí.
- Pokud nastane situace, která není popsána v tomto návodu, použijte pečlivý a dobrý úsudek. O pomoc kontaktujte servisní středisko společnosti EGO.

#### TYTO POKYNY USCHOVEJTE PRO BUDOUCÍ POUŽITÍ

#### DALŠÍ SPECIFICKÉ BEZPEČNOSTNÍ PRAVIDLA LZE NALÉZT V PŘÍRUČCE PŘÍSLUŠNÉHO NÁSTAVCE

#### SPECIFIKACE

Napětí	56 V ---
Hmotnost nůžek (bez akumulátoru)	2,73 kg

CZ

#### OBSAH BALENÍ

NÁZEV DÍLU	MNOŽSTVÍ
Pohonná hlava	1
Stavitelná přední pomocná rukojeť	1
Ramenní popruh	1
Návod k obsluze	1

## POPIS

### SEZNAMTE SE S VAŠÍ POHONNOU HLAVOU (Obr. A)

1. Výstup vzduchu
2. Přívod vzduchu
3. Zadní rukojeť
4. Blokovací tlačítko
5. Přepínač vysoké/nízké rychlosti
6. Prahový kroužek
7. Stavitelná přední pomocná rukojeť
8. Spojovač
9. Tlačítko pro uvolnění hřídele
10. Křídlový knoflík
11. Bariérová tyč
12. Spoušť
13. Tlačítko pro uvolnění akumulátoru
14. Ochranná gumová podložka
15. Západka
16. Elektrické kontakty
17. Uvolňovací mechanismus
18. Ramenní popruh (zvláštní příslušenství)

## MONTÁŽ

CZ

**VAROVÁNÍ:** Pokud jsou některé díly poškozené, nebo chybí, nepoužívejte výrobek, dokud se díly nevymění. Použití tohoto výrobku s poškozenými nebo chybějícími díly může vést k vážnému úrazu.

**VAROVÁNÍ:** Pokud provádíte montáž dílů, úpravy, čištění nebo výrobek dlouhodobě nepoužíváte, vždy vyjměte akumulátor.

### PŘIPOJENÍ NÁSTAVCE NA POHONNOU HLAVU

**VAROVÁNÍ:** Přečtěte si a pochopte celou příručku pro každý volitelný nástavec použitý s touto pohonnou hlavou a dodržujte veškerá varování a pokyny. Nedodržení pokynů může mít za následek úraz elektrickým proudem, požár anebo vážná poranění osob.

**VAROVÁNÍ:** Tato 56 V pohonná hlava PH1400E je navržena pro používání pouze s nástavcovými modely EGO, které jsou uvedeny v příručce nebo následně zavedeny společností EGO pro použití s touto pohonnou hlavou. Použití jiných, neautorizovaných nástavců může způsobit vážné zranění osob nebo poškození majetku.

**VAROVÁNÍ:** Nikdy neinstalujte, neodstraňujte, nebo neupravujte nástavec, když pohonná hlava běží nebo s nainstalovanou baterií. Neschopnost zastavit motor a vyjmout baterii může způsobit vážné zranění. **NIKDY NEPROVOZUJTE POHONNOU HLAVU BEZ NÁSTAVCE.**

Nástavec se připojí k pohonné hlavě pomocí spojovacího zařízení.

1. Zastavte motor a odstraňte akumulátor.
2. Uvolněte křídlový knoflík.
3. Odstraňte koncovku z nástavce. Srovnejte šípku na nástavcové hřídeli se šípkou na spojovači a zatlačte nástavcovou hřídel do spojovače, dokud neuslyšíte jasně „cvaknutí“, což znamená, že nástavcová hřídel je ukotvena na své místo (obr. B).

Obr. B s popisem dílů:

B-1	Nástavcová hřídel	B-4	Šípka na spojovači
B-2	Šípka na nástavcové hřídeli	B-5	Tlačítko pro uvolnění hřídele
B-3	Křídlový knoflík	B-6	Hřídel pohonné hlavy

4. Vytáhněte hřídel nástavce pro ověření jejího bezpečného zajištění ve spojovači. Pokud tomu tak není, pootočte nástavcovou hřídel ze strany na stranu ve spojovači, dokud nezapadne na své místo.
5. Dobře utáhněte křídlový knoflík.

**VAROVÁNÍ:** Před uvedením zařízení do provozu se ujistěte, že křídlový knoflík je pevně utažen; během používání pravidelně kontrolujte jeho dotažení, aby nedošlo k vážnému zranění.

### ODPOJENÍ NÁSTAVCE Z POHONNÉ HLAVY

1. Zastavte motor a odstraňte akumulátor.
2. Uvolněte křídlový knoflík.
3. Stiskněte tlačítko pro uvolnění hřídele a se stisknutým tlačítkem vytáhněte nebo vykrutěte nástavcovou hřídel ven ze spojovače.

### MONTÁŽ A NASTAVENÍ PŘEDNÍ POMOCNÉ RUKOJETI

1. Zastavte motor a odstraňte akumulátor, pokud je nainstalován.
2. Uvolněte křídlovou matici pro oddělení stavitelné přední pomocné rukojeti (obr. C).



Obr. C s popisem dílů:

C-1	Zajišťovací tyčka	C-3	Stavitelná přední pomocná rukojeť s bariérovou tyčí
C-2	Upínací blok	C-4	Křídlová matice

- Natlačte přední pomocnou rukojeť na hřídel mezi prahový kroužek a spojovač (obr. D).
- Vložte upínací blok do slotu rukojeti (obr. E).
- Namontujte zajišťovací tyčku a přitáhněte křídlovou matici. Ujistěte se, že přední pomocná rukojeť je vzhůru a směřuje k horní části zadní rukojeti (obr. F).
- Upravte přední pomocnou rukojeť mezi prahový kroužek a spojovač tak, aby vaše přední rameno bylo rovné při používání (obr. G).

Obr. G s popisem dílů:

G-1	Šipka	G-2	Omezení rozsahu
-----	-------	-----	-----------------

- A pak zajistěte páčku zajišťovací tyčky (obr. H).

**VAROVÁNÍ:** Nářadí nikdy nepoužívejte bez řádně nainstalované přední pomocné rukojeti.

**VAROVÁNÍ:** Přední pomocnou rukojeť posunujte pouze mezi prahovým kroužkem a spojovačem.

### PŘIPEVNĚNÍ RAMENNÍHO POPRUHU

Stlačte háček popruhu pro otevření a připojte ho na poutko ramenního popruhu na pohonnou hlavě (obr. I).

## POUŽITÍ

**VAROVÁNÍ:** Dbejte, abyste se po seznámení s výrobkem nestali neopatrní. Nezapomínejte, že stačí chvíle nepozornosti a může se stát vážný úraz.

**VAROVÁNÍ:** Vždy používejte ochranu očí. Pokud tak neučiníte, může dojít k vymrštění předmětu do očí, nebo případně jiným vážným úrazům.

**VAROVÁNÍ:** Nepoužívejte nástavce nebo příslušenství, které nedoporučuje výrobce tohoto výrobku. Použití nedoporučených nástavců a příslušenství může vést k vážnému úrazu.

**VAROVÁNÍ: NIKDY NEPROVOZUJTE POHONNOU HLAVU BEZ NÁSTAVCE.**

### INSTALACE/VYJMUTÍ AKUMULÁTORU

**POZNÁMKA:** Před prvním použitím akumulátor plně nabijte.

### Instalace

Srovnejte žebrování akumulátoru s instalačními drážkami a tlačte baterii dokud neuslyšíte „kliknutí“ (Obr. J).

Obr. J s popisem dílů:

J-1	Instalační drážka
J-2	Žebro

### Odstranění

Stiskněte tlačítko pro uvolnění akumulátoru a vytáhněte jej (Obr. K).

**VAROVÁNÍ:** Aby nedošlo k vážnému zranění, vždy vyjměte akumulátor a nedržte ruce na zajišťovacím tlačítku a spouštěči při přenášení nebo přepravě nástroje.

### SPUŠTĚNÍ/ZASTAVENÍ POHONNÉ HLAVY (Obr. L)

#### Spuštění

Stiskněte dolů zajišťovací tlačítko a podržte ho v této poloze. Stisknutím spouštěče zapnete pohonnou hlavu. Odlišný tlak na spouštěč způsobí proměnlivou rychlost otáčení pohonné hlavy. Vyšší intenzita, vyšší rychlost.

#### Zastavení

Uvolněte spouštěč.

**POZNÁMKA: Motor se spustí, pouze když je stisknutá páka pojistky a spoušť současně.**

#### Funkce nastavení rychlosti (Obr. L)

Pohonná hlava má dvě rychlosti. Poloha „1“ je určena pro nízké rychlosti, zatímco poloha „2“ pro vysoké rychlosti. Stiskněte nebo vytáhněte přepínač vysoké/nízké rychlosti a zvolte si vhodnou rychlost během provozu.

Obr. L s popisem dílů:

L-1	Přepínač vysoké/nízké rychlosti
L-2	Zajišťovací tlačítko
L-3	Spouštěč

## ÚDRŽBA

**VAROVÁNÍ:** Před kontrolou, čištěním nebo údržbou přístroje zastavte motor, počkejte, až se všechny pohyblivé díly zastaví a vyjměte baterii. Nedodržení těchto instrukcí může vést k vážnému zranění nebo poškození majetku.

**VAROVÁNÍ:** Při opravách používejte pouze originální náhradní díly. Pravidelně stroj kontrolujte a udržujte. Z důvodu bezpečnosti by měl všechny opravy provádět kvalifikovaný servisní technik.

**POZNÁMKA:** Před každým použitím zkontrolujte, zda celý výrobek není poškozen, nemá chybějící nebo uvolněné části, jako jsou vruty, matice, šrouby, uzávěry, atd. Utáhněte všechny spojovací díly a uzávěry a nepoužívejte tento výrobek, dokud nejsou nahrazeny všechny chybějící nebo poškozené díly. Obráťte se na zákaznické služby nebo kvalifikovaného servisního technika.

## CELKOVÁ ÚDRŽBA

K čištění plastových dílů nepoužívejte rozpouštědla. Většina plastů je náchylná k poškození různými typy komerčních rozpouštědel a jejich použití je může poškodit. K odstranění nečistot, prachu, oleje, maziva atd. použijte čistý hadr.

## ČIŠTĚNÍ Pohonné HLAVY

1. Zastavte motor a odstraňte akumulátor.
2. Vyčistěte špinu a nečistoty z pohonné hlavy vlhkým hadříkem s jemným čisticím prostředkem.

**POZNÁMKA:** Na plastové pouzdro nebo rukojeť nepoužívejte žádné silné čisticí prostředky. Mohou být poškozeny některými aromatickými oleji, jako např. borovicovým nebo citronovým.

CZ

## SKLADOVÁNÍ Pohonné HLAVY

1. Před skladováním vyjměte baterii z pohonné hlavy.
2. Vyčistěte všechny nečistoty z pohonné hlavy.
3. Skladujte na místě, které je mimo dosah dětí.
4. Uchovávejte v bezpečné vzdálenosti od korozivních látek, jako jsou chemické látky a rozmrazovací soli.

## Ochrana životního prostředí



Elektrické zařízení, nabíječku a baterie/ nabíjecí baterie nevhazujte do domovního odpadu!

Podle směrnice Evropského parlamentu a Rady 2012/19/EU se musí odpadní elektrická a elektronická zařízení a podle směrnice 2006/66/ES vadné nebo použité akumulátory/baterie sbírat odděleně.

Pokud se elektrická zařízení likvidují na zavážkách nebo skládkách, mohou do podzemní vody prosáknout nebezpečné látky, dostat se do potravního řetězce a pokodit tak vaše zdraví a zdravotní stav.

## ODSTRAŇOVÁNÍ PROBLÉMŮ

Viz příslušný návod nástavce.

## ZÁRUKA

### ZÁRUKA SPOLEČNOSTI EGO

Úplné záruční podmínky společnosti EGO naleznete na webových stránkách [egopowerplus.com](http://egopowerplus.com).

01/12/2016

## PREČÍTAJTE SI VŠETKY POKYNY!



**PREČÍTAJTE SI NÁVOD NA OBSLUHU.**

**⚠ Potenciálne riziká!** Ľudia s elektronickými zariadeniami, ako sú napríklad kardiostimulátory, sa musia pred použitím tohto výrobku poradiť so svojím lekárom. Použitie elektrických zariadení v tesnej blízkosti kardiostimulátora by mohlo spôsobiť rušenie alebo zlyhanie kardiostimulátora.

**⚠ VAROVANIE:** Pre zaistenie bezpečnosti a spoľahlivosti je nevyhnutné, aby všetky opravy a výmeny vykonával len kvalifikovaný servisný technik.

## BEZPEČNOSTNÉ SYMBOLY

Účelom bezpečnostných symbolov je upozorniť vás na možné nebezpečenstvá. Venujte príslušnú pozornosť a pochopte bezpečnostné symboly a ich vysvetlenia. Varovné symboly, samy o sebe, nedokážu eliminovať nebezpečenstvo. Pokyny a varovania, ktoré obsahujú, nie sú náhradou za vhodné opatrenia na prevenciu úrazov.

**⚠ VAROVANIE:** Pred použitím tohto nástroja si prečítajte a pochopte všetky bezpečnostné pokyny v tomto návode na obsluhu, vrátane všetkých bezpečnostných výstražných symbolov, ako sú „**NEBEZPEČENSTVO**“, „**VAROVANIE**“ a „**UPOZORNENIE**“. Nedodržanie nižšie uvedených pokynov môže mať za následok úraz elektrickým prúdom, požiar a / alebo vážne zranenie.

## VÝZNAM SYMBOLU

**⚠ BEZPEČNOSTNÝ VÝSTRAŽNÝ SYMBOL:** Označuje **NEBEZPEČENSTVO**, **VAROVANIE**, alebo **UPOZORNENIE**. Môže byť použitý v spojení s inými symbolmi alebo piktogramami.



**⚠ VAROVANIE:** Prevádzka akéhokoľvek elektrického náradia môže viesť k vyršteniu cudzích predmetov do vašich očí, čo môže spôsobiť vážne poškodenie zraku. Skôr, ako začnete používať elektrické náradie, si vždy nasadte ochranné okuliare alebo ochranné okuliare s postrannými krytmi a prípadne celotvárový štít. Odporúčame použiť bezpečnostnú masku Wide Vision cez okuliare alebo štandardné bezpečnostné okuliare s postrannými krytmi.

## BEZPEČNOSTNÉ POKYNY

Táto strana zobrazuje a popisuje bezpečnostné symboly, ktoré sa objavujú na tomto výrobku. Pred pokusom o zostavenie a prevádzkovanie si prečítajte, pochopte a dodržiavajte všetky pokyny na stroji.

	Bezpečnostné upozornenie	Upozorňuje na potenciálne nebezpečenstvo úrazu.
	Prečítajte si návod na obsluhu.	Ak chcete znížiť riziko zranenia, používateľ musí pred použitím tohto výrobku prečítať a pochopiť návod na obsluhu.
	Používajte ochranu zraku.	Pri práci s týmto výrobkom vždy nosite ochranné okuliare alebo ochranné okuliare s postrannými krytmi a celotvárový štít.
	CE	Tento výrobok je v súlade s platnými smernicami ES.
	WEEE	Odpadové elektrické výrobky sa nesmú likvidovať spolu s domovým odpadom. Odovzdajte do autorizovaného recyklačného strediska.
	Nevystavujte dažďu	Nepoužívajte v daždi, alebo nenechajte vonku, keď prší.
V	Volt	Napätie
mm	Milimeter	Dĺžka alebo veľkosť
cm	Centimeter	Dĺžka alebo veľkosť
in.	Palec	Dĺžka alebo veľkosť
kg	Kilogram	Hmotnosť
lb	Libra	Hmotnosť
	Jednosmerný prúd	Typ alebo charakteristika prúdu

**SK**

## VŠEOBECNÉ BEZPEČNOSTNÉ POKYNY PRE ELEKTRICKÉ NÁRADIE

**⚠ VAROVANIE:** Prečítajte si všetky bezpečnostné varovania a pokyny. Nedodržanie týchto varovaní a pokynov môže spôsobiť úraz elektrickým prúdom, požiar a/alebo vážne zranenie!

Odložte si všetky varovania a pokyny pre budúce použitie.

Termín „elektrické náradie“ vo varovaniach znamená váš elektrický prístroj zapojený (cez kábel) do prívodu elektrickej energie alebo napájaný (bezdrôtovo) z batérie.

### BEZPEČNOSŤ PRACOVISKA

- **Udržiavajte pracovisko čisté a dobre osvetlené.** Neporiadok a tmavé priestory vedú k úrazom.
- **Nepoužívajte elektrické náradie vo výbušnom prostredí, napríklad v prítomnosti horľavých kvapalín, benzínu alebo prachu.** Elektrické náradie vytvára iskry, ktoré môžu zapáliť prach alebo výpary.
- **Pri používaní elektrického náradia udržiavajte deti a okolostojace osoby mimo pracoviska.** Pri rozptyľovaní môžete stratiť kontrolu.

### ELEKTRICKÁ BEZPEČNOSŤ

- **Pripojovacia zástrčka musí zodpovedať zásuvke. Zástrčku nikdy nijak neupravujte. Nepoužívajte žiadne rozbočovacie zástrčky s uzemneným elektrickým náradím.** Neupravené zástrčky a príslušné zásuvky obmedzia nebezpečenstvo úrazu elektrickým prúdom.
- **Zabráňte kontaktu tela s uzemnenými povrchmi, ako sú rúry, radiátory, sporáky a chladničky.** Dochádza k zvýšeniu rizika úrazu elektrickým prúdom, ak je vaše telo uzemnené.
- **Nevystavujte elektrické náradie dažďu alebo vlhkým podmienkam.** Voda vniknutá do elektrického náradia zvyšuje nebezpečenstvo úrazu elektrickým prúdom.
- **Nezaťažujte kábel. Nikdy nepoužívajte kábel na nosenie, ťahanie alebo odpájanie náradia. Udržujte kábel v dostatočnej vzdialenosti od zdrojov tepla, oleja, ostrých hrán alebo pohyblivých častí.** Poškodené alebo zamotané káble zvyšujú riziko úrazu elektrickým prúdom.
- **Ak pracujete s elektrickým náradím vonku, použite predĺžovací kábel vhodný na vonkajšie použitie.** Použitie kábla vhodného na vonkajšie použitie znižuje riziko úrazu elektrickým prúdom.

SK

- **Ak je používanie elektrického náradia vo vlhkom prostredí nevyhnutné, použite napájanie chránené uzemneným prúdovým chráničom.** Použitie uzemneného prúdového chrániča znižuje riziko úrazu elektrickým prúdom.

### BEZPEČNOSŤ OSÔB

- **Buďte pozorní, sledujte to, čo robíte a používajte zdravý rozum pri práci s elektrickým náradím. Nepoužívajte elektrické náradie, ak ste unavení alebo pod vplyvom drog, alkoholu alebo liekov.** Chvíľková nepozornosť pri práci s elektrickým náradím môže mať za následok vážne zranenie.
- **Používajte osobné ochranné pomôcky. Vždy používajte ochranu očí.** Ochranné prostriedky ako respirátor, protišmyková bezpečnostná obuv, prilba alebo chrániče sluchu použité za vhodných podmienok znižujú nebezpečenstvo zranenia.
- **Zabráňte náhodnému spusteniu. Pred pripojením k zdroju napájania a/alebo akumulátoru, pri zdvíhaní alebo prenášaní nástroja sa uistite, že prepínač je vo vypnutej polohe.** Prenášanie náradia s prstom na spínači, alebo prenášanie zapnutého elektrického náradia zvyšuje riziko úrazu.
- **Pred zapnutím elektrického náradia odstráňte akékoľvek nastavovacie nástroje alebo kľúče.** Nástroj alebo kľúč, ktorý zostane pripojený na rotujúcu časť stroja, môže spôsobiť zranenie.
- **Nepreceňujte sa. Pri práci vždy dodržujte správny postoj a rovnováhu.** Umožňuje to lepšiu kontrolu elektrického náradia v neočakávaných situáciách.
- **Vhodne sa oblečte. Nenoste šperky alebo voľný odev. Udržujte vlasy, oblečenie a rukavice v dostatočnej vzdialenosti od pohybujúcich sa dielov.** Voľný odev, šperky alebo dlhé vlasy môžu byť zachytené pohybujúcimi sa dielmi.
- **Pokiaľ je náradie vybavené zariadením na zachytávanie prachu a úlomkov materiálu, skontrolujte, či je k náradíu správne pripevnené.** Použitie odsávania prachu môže znížiť nebezpečenstvo, ktoré súvisí s prachom.

### POUŽÍVANIE A STAROSTLIVOSŤ O ELEKTRICKÉ NÁRADIE

- **Netlačte na elektrické náradie. Používajte správne náradie na vašu prácu.** Správne elektrické náradie bude pracovať lepšie a bezpečnejšie pri rýchlosti, na ktorú bolo určené.
- **Nepoužívajte elektrické náradie v prípade, že vypínač nie je možné zapnúť a vypnúť.** Akékoľvek elektrické náradie, ktoré sa nedá ovládať vypínačom je nebezpečné a musí sa opraviť.

- Pred akýmkoľvek nastavením, výmenou príslušenstva alebo pred uložením elektrického náradia odpojte zástrčku od zdroja a/alebo akumulátora. Tieto preventívne bezpečnostné opatrenia znižujú riziko náhodného spustenia elektrického náradia.
- Uchovávajte nepoužívané elektronáradie mimo dosahu detí a nedovoľte, aby osoby neoboznámené s elektrickým náradím alebo s týmito pokynmi náradie používali. Elektrické náradie je nebezpečné v rukách neskúsených používateľov.
- Starajte sa o elektrické náradie. Skontrolujte nastavenie pohyblivých častí, poškodenie dielov a akékoľvek ďalšie okolnosti, ktoré môžu mať vplyv na funkciu elektrického náradia. Ak je elektrické náradie poškodené, nechajte ho pred použitím opraviť. Veľa úrazov je zapríčinených zle udržiavaným náradím.
- Rezacie nástroje udržiavajte ostré a čisté. Starostlivo ošetrované rezné nástroje s ostrými čepeľami menej pravdepodobne uviaznu a jednoduchšie sa ovládajú.
- Používajte elektrické náradie, príslušenstvo, nášady a pod. podľa týchto pokynov s prihliadnutím na pracovné podmienky a prácu, ktorá má byť vykonaná. Použitie elektrického náradia na iné ako určené účely môže viesť k nebezpečným situáciám.
- Táto 56V pohonná hlava PH1400E sa môže používať len s nasledujúcimi EGO nástavcami:

TYP NÁSTAVCA	ČÍSLO MODELU
Orezávač	EA0800
Krovinorez	BCA1200
Strunová kosačka	STA1500
Tyčová píla	PSA1000
Nožnice na živý plot	HTA2000

## POUŽÍVANIE A STAROSTLIVOSŤ O NÁRADIE NA BATÉRIE

- Nabíjajte iba nabíjačkou určenou výrobcom. Nabíjačka vhodná pre jeden typ akumulátora môže spôsobiť riziko požiaru pri použití s iným akumulátorom.
- Používajte elektrické náradie iba s výslovne určenými nižšie uvedenými akumulátormi. Použitie iných akumulátorov môže spôsobiť riziko úrazu a požiaru.

BATÉRIA	NABÍJAČKA
BA1120E, BA2240E, BA2800, BA3360, BA4200 (BA3360 a BA4200 nie sú použiteľné, keď sa použije nástavec pre krovinorez)	CH5500E, CH2100E

- Pokiaľ akumulátor nepoužívate, držte ho mimo dosahu kovových predmetov, ako sú kancelárske sponky na papier, mince, kľúče, klince, skrutky alebo ďalšie drobné kovové predmety, ktoré môžu spôsobiť vzájomné skratovanie vývodov. Skratovanie kontaktov akumulátora môže spôsobiť popálenieiny alebo požiar.
- V nevhodných podmienkach môže kvapalina unikať z batérie. Zabráňte kontaktu. Pri náhodnom kontakte opláchnite vodou. Pri zasiahnutí očí vyhľadajte lekársku pomoc. Unikajúca kvapalina z akumulátora môže spôsobiť podráždenie pokožky alebo popálenieiny.

## OPRAVA

- Nechajte vaše elektrické náradie opraviť kvalifikovanou osobou s použitím iba identických náhradných dielov. Tým sa zabezpečí, že bezpečnosť stroja zostane zachovaná.
- Ak sa vyskytnú situácie, ktoré nie sú zahrnuté v tomto návode, dávajte pozor a použite zdravý úsudok. Obráťte sa na servisné stredisko EGO pre pomoc.

## ODLOŽTE SI TIETO POKYNY

## ĎALŠIE ŠPECIFICKÉ BEZPEČNOSTNÉ PRAVIDLÁ MÔŽETE NÁJSŤ V PRÍRUČKE PRÍSLUŠNÉHO NÁSTAVCA

## TECHNICKÉ ÚDAJE

Napätie	56 V $\overline{\text{---}}$
Hmotnosť (bez akumulátora)	2,73 kg

**SK**

## OBSAH BALENIA

NÁZOV DIELU	MNOŽSTVO
Pohonná hlava	1
Nastaviteľná predná pomocná rukoväť	1
Ramenný popruh	1
Návod na obsluhu	1

## POPIS

### SPoznajte vašu pohonnú hlavu (Obr. A)

1. Výstup vzduchu
2. Prívod vzduchu
3. Zadná rukovať
4. Zaisťovacie tlačidlo
5. Prepínač vysokej/nizkej rýchlosti
6. Prahový krúžok
7. Nastaviteľná predná pomocná rukovať
8. Spojka
9. Tlačidlo na uvoľnenie hriadeľa
10. Krídlový gombík
11. Bariérová tyč
12. Spúšťač
13. Tlačidlo na uvoľnenie batérie
14. Ochranná gumová podložka
15. Západka
16. Elektrické kontakty
17. Vysunovací mechanizmus
18. Ramenný popruh (zvláštne príslušenstvo)

## ZOSTAVA

**VAROVANIE:** Ak akýkoľvek diel chýba, alebo je poškodený, nepoužívajte tento výrobok, kým nie sú vymenené diely. Ak používate tento výrobok s poškodenými alebo chýbajúcimi časťami, môže dôjsť k vážnemu zraneniu.

**VAROVANIE:** Vždy vyberte batériu z prístroja pri montáži dielov, vykonávaní úprav, čistení, alebo keď sa nepoužíva.

### PRIPojENIE NÁSTAVCA NA POHONNÚ HLAVU

**VAROVANIE:** Prečítajte si a pochopite celú príručku pre každý voliteľný nástavec použitý s touto pohonnou hlavou a dodržujte všetky varovania a pokyny. Nedodržanie všetkých uvedených pokynov môže mať za následok úraz elektrickým prúdom, požiar a/alebo vážne zranenie.

**VAROVANIE:** Táto 56 V pohonná hlava PH1400E je navrhnutá pre používanie len s nastavovými modelmi EGO, ktoré sú uvedené v príručke alebo následne zavedené spoločnosťou EGO na použitie s touto pohonnou hlavou. Použitie iných, neautorizovaných nástavcov môže spôsobiť vážne zranenie osôb alebo poškodenie majetku.

**VAROVANIE:** Nikdy neinštalujte, neodstraňujte, alebo neupravujte nástavec, keď pohonná hlava beží alebo s nainštalovanou batériou. Neschopnosť zastaviť motor a vybrať batériu môže spôsobiť vážne zranenie. **NIKDY NEPOUŽÍVAJTE POHONNÚ HLAVU BEZ NÁSTAVCA.**

Nástavec sa pripojí na pohonnú hlavu pomocou spojovacieho zariadenia.

1. Zastavte motor a vyberte akumulátor.
2. Uvoľnite krídlový gombík.
3. Odstráňte koncovku z nástavca. Vyrovnajte šípku na nastavovom hriadeľi so šípkou na spojke a zatlačte nastavový hriadeľ do spojky, pokým nebudete počuť jasné „cvaknutie“, ktoré znamená, že nastavový hriadeľ je ukotvený na svoje miesto (obr. B).

Obr. B s popisom dielov:

B-1	Nastavový hriadeľ	B-4	Šípka na spojke
B-2	Šípka na nastavovom hriadeľi	B-5	Tlačidlo pre uvoľnenie hriadeľa
B-3	Krídlový gombík	B-6	Hriadeľ pohonnej hlavy

4. Vytiahnete hriadeľ nástavca na ovarié jeho bezpečného zaistenia v spojke. Ak tomu tak nie je, pootočte nastavový hriadeľ zo strany na stranu v spojke, pokým nezapadne na svoje miesto.
5. Dobře utiahnete krídlový gombík.

**VAROVANIE:** Pred uvedením zariadenia do prevádzky sa uistite, že krídlový gombík je pevne dotiahnutý; počas používania pravidelne kontrolujte jeho dotiahnutie, aby nedošlo k vážnemu zraneniu.

### ODPOJENIE NÁSTAVCA Z POHONNEJ HLAVY

1. Zastavte motor a vyberte akumulátor.
2. Uvoľnite krídlový gombík.
3. Stlačte tlačidlo pre uvoľnenie hriadeľa a so stlačeným tlačidlom vytiahnite alebo vykrúťte nastavový hriadeľ von zo spojky.

### MONTÁŽ A NASTAVENIE PREDNEJ POMOCNEJ RUKOVÁTE

1. Zastavte motor a odstráňte akumulátor, ak je nainštalovaný.
2. Uvoľnite krídlovú maticu na oddelenie nastaviteľnej prednej pomocnej rukoväte (obr. C).

Obr. C Popis dielov si pozrite nižšie:

C-1	Zaisťovacia tyč	C-3	Nastaviteľná predná pomocná rukoväť s bariérovou tyčou
C-2	Upínací blok	C-4	Krídlová matica

- Natlačte prednú pomocnú rukoväť na hriadeľ medzi prahový krúžok a spojku (obr. D).
- Vložte upínací blok do slotu rukoväte (obr. E).
- Namontujte zaisťovaciu tyč a priťahnite krídlovú maticu. Uistite sa, že predná pomocná rukoväť je hore a smeruje k homej časti zadnej rukoväte (obr. F).
- Upravte prednú pomocnú rukoväť medzi prahový krúžok a spojku tak, aby vaše predné rameno bolo rovné pri používaní (obr. G).

Obr. G Popis dielov si pozrite nižšie:

G-1	Šípka	G-2	Obmedzenie rozsahu
-----	-------	-----	--------------------

- A potom zaistíte páčku zaisťovacej tyče (obr. H).

**VAROVANIE:** Nádrie nikdy nepoužívajte bez správne nainštalovanej prednej pomocnej rukoväte.

**VAROVANIE:** Prednú pomocnú rukoväť posúvajte len medzi prahovým krúžkom a spojkou.

### PRÍPEVNENIE RAMENNÉHO POPRUHU

Stlačte háčik popruhu pre otvorenie a pripojte ho na pútko ramenného popruhu na pohonnej hlave (obr. I).

### OBSLUHA

**VAROVANIE:** Nedovoľte, aby ste sa po poznámení s týmto výrobkom stali neopatrnými. Zapamätajte si, že zlomok sekundy neopatrnosti postačuje na spôsobenie vážneho poranenia.

**VAROVANIE:** Vždy používajte ochranu očí. Ak tak neurobíte, môže dôjsť k vymršteniu predmetov do očí a iným možným vážnym zraneniam.

**VAROVANIE:** Nepoužívajte žiadne prídavné zariadenia alebo príslušenstvo, ktoré nie sú odporúčané výrobcom tohto výrobku. Používanie prídavných zariadení alebo príslušenstva, ktoré nie sú odporúčané, môže viesť k vážnemu zraneniu.

**VAROVANIE: NIKDY NEPOUŽÍVAJTE POHONNÚ HLAVU BEZ NÁSTAVCA.**

### INŠTALÁCIA / VYBRATIE AKUMULÁTORA

**POZNÁMKA:** Pred prvým použitím akumulátor úplne nabite.

### Inštalácia

Zarovnajte rebrovanie akumulátora s montážnymi drážkami a zatlačte akumulátor nadol, kým nebudete počuť „cvaknutie“ (Obr. J).

Obr. J s popisom dielov:

J-1	Montážna drážka
J-2	Rebro

### Vybratie

Stlačte tlačidlo pre uvoľnenie akumulátora a vytiahnite ho von (Obr. K).

**VAROVANIE:** Aby nedošlo k vážnemu zraneniu, vždy vyberte akumulátor a nedržte ruky na zaisťovacom tlačidle a spúšťači pri prenášaní alebo preprave nástroja.

### SPUSTENIE/ZASTAVENIE POHONNEJ HLAVY (Obr. L)

#### Spustenie

Stlačte dole zaisťovacie tlačidlo a podržte ho v tejto polohe. Stlačením spúšťača zapnete pohonnú hlavu. Rôzny prítlak na spúšťač znamená premenlivú rýchlosť otáčania pohonnej hlavy. Väčší prítlak, vyššia rýchlosť.

#### Zastavenie

Uvoľnite spúšťač.

**POZNÁMKA:** Motor sa spustí len vtedy, keď sú poistná gombík a vypínač naraz stlačené.

#### Funkcia nastavenia rýchlosti (Obr. L)

Pohonná hlava má dve rýchlosti. Poloha „1“ je určená pre nízke rýchlosti, pričom poloha „2“ pre vysoké rýchlosti. Stlačte alebo vytiahnite prepínač vysokej/nízkej rýchlosti a zvolte si vhodnú rýchlosť počas používania.

Obr. L s popisom dielov:

L-1	Prepínač vysokej/nízkej rýchlosti
L-2	Zaisťovacie tlačidlo
L-3	Spúšťač

### ÚDRŽBA

**VAROVANIE:** Pred kontrolou, čistením alebo údržbou prístroja zastavte motor, počkajte, kým sa všetky pohyblivé diely zastavia a vyberte akumulátor. Nedodržanie týchto pokynov môže viesť k vážnemu zraneniu alebo poškodeniu majetku.

SK

**VAROVANIE:** Pri servise používajte iba identické náhradné diely. Pravidelne kontrolujte a udržiavajte stroj. Pre zaistenie bezpečnosti a spoľahlivosti je nevyhnutné, aby všetky opravy vykonával len kvalifikovaný servisný technik.

**POZNÁMKA:** Pred každým použitím skontrolujte celý výrobok na poškodené, chýbajúce alebo uvoľnené diely, ako sú skrutky, matice, uzávery atď. Utiahnite všetky upevňovacie prvky a uzávery a nepoužívajte tento výrobok, kým nie sú vymenené všetky chýbajúce alebo poškodené diely. Obráťte sa na zákaznicke služby alebo kvalifikovaného servisného technika.

## CELKOVÁ ÚDRŽBA

Na čistenie plastových dielov nepoužívajte rozpúšťadlá. Väčšina plastov je náchylná na poškodenie z rôznych typov komerčných rozpúšťadiel a môžu sa poškodiť, ak sa použijú. Použite čisté handry na odstránenie nečistôt, prachu, oleja, maziva, atď.

## ČISTENIE POHONNEJ HLAVY

1. Zastavte motor a vyberte akumulátor.
2. Vyčistite špinu a nečistoty z pohonnej hlavy vlhkou handrou s jemným čistiacim prostriedkom.

**POZNÁMKA:** Nepoužívajte žiadne silné čistiace prostriedky na plastovom kryte alebo rukoväti. Môžu byť poškodené určitými aromatickými olejmi, ako je borovica a citrón.

## SKLADOVANIE POHONNEJ HLAVY

1. Pred skladovaním vyberte akumulátor z pohonnej hlavy.
2. Vyčistite všetky nečistoty z pohonnej hlavy.
3. Skladujte na mieste, ktoré je neprístupné deťom.
4. Chráňte pred agresívnymi látkami, ako sú záhradné chemikálie a rozmrazovacie soli.

SK

## Ochrana životného prostredia



Nevyhadzujte elektrické zariadenia, nabíjačku batérií a batérie / akumulátory do domového odpadu!

Podľa európskej smernice 2012/19/EU elektrické a elektronické zariadenia, ktoré už nie sú použiteľné a podľa európskej smernice 2006/66/EC chybné alebo použité akumulátory / batérie sa musia zhromažďovať oddelene.

Ak sú elektrické spotrebiče likvidované na neorganizovaných skládkach alebo smetiskách, môžu nebezpečné látky uniknúť do podzemných vôd, dostať sa do potravinového reťazca a poškodzovať zdravie.

## ODSTRÁŇOVANIE PROBLÉMOV

Pozrite si príslušný návod pre nástavec.

## ZÁRUKA

### ZÁRUČNÁ POLITIKA EGO

Navštívte webové stránky [egopowerplus.com](http://egopowerplus.com) pre úplné podmienky záručnej politiky spoločnosti EGO.

01/12/2016



## OLVASSA EL AZ ÖSSZES UTASÍTÁST!



### OLVASSA EL A HASZNÁLATI ÚTMUTATÓT

**⚠ Maradék kockázat!** Az elektronikus készülékekkel, például pacemakerrel, élő emberek a termék használata előtt kérjék ki orvos véleményét. Az elektromos felszerelés a szív pacemakerhez közel való működtetése interferenciát vagy meghibásodást okozhat a pacemakerben.

**⚠ FIGYELMEZTETÉS:** A biztonságosság és megbízhatóság biztosítása érdekében minden javítást szakképzett szerviztechnikus hajtson végre.

## BIZTONSÁGI SZIMBÓLUMOK

A biztonsági szimbólumok célja, hogy felhívják a figyelmet az esetleges veszélyekre. Nagyon figyeljen a biztonsági szimbólumokra és magyarázatokra, ill. ezek megértésére. A szimbólumok figyelmeztetései önmagukban nem hárítják el a veszélyeket. Az utasítások és figyelmeztetések nem helyettesítik a megfelelő balesetmegelőző intézkedéseket.

**⚠ FIGYELMEZTETÉS:** A szerszám használata előtt feltétlenül olvassa el a jelen használati útmutató minden biztonsági utasítását, a „VESZÉLY”, „FIGYELMEZTETÉS” és „FIGYELEM” biztonsági szimbólumokat is. Az alább felsorolt utasítások be nem tartása áramütést, tűzveszélyt és/vagy súlyos személyi sérülést idézhet elő.

## SZIMBÓLUM JELENTÉSE

**⚠ BIZTONSÁGI SZIMBÓLUM: VESZÉLYT** vagy **FIGYELMEZTETÉST** jelöl. Más szimbólumokkal vagy rajzokkal együtt használható.



**⚠ FIGYELMEZTETÉS:** Bármely elektromos kéziszerszám működtetése azzal járhat, hogy idegen tárgyak szembe kerülnek, amely súlyos szemsérüléseket okozhat. Az elektromos kéziszerszám működtetése előtt, mindig vegyen fel oldalsó védőlemezrel ellátott védőszemüveget és a teljes védőálarcot, ha szükséges. Javasoljuk, hogy viseljen Wide Vision Safety Mask-ot (védőálarc) a védőszemüveg fölött vagy standard védőszemüveget oldalsó védőlemezrel.

## BIZTONSÁGI UTASÍTÁSOK

Ezen az oldalon olyan biztonsági szimbólumok láthatók és olvashatók, amelyek megjelenhetnek a terméken. Az összeszerelés vagy működtetés előtt olvassa el, értse meg és tartsa be a gép minden utasítását.

	Biztonsági figyelmeztetés	Potenciális személyi sérülés veszélyét jelzi.
	Olvassa el a használati útmutatót	A sérülések kockázatának csökkentése érdekében a használat előtt el kell olvasnia, és meg kell értenie a használati útmutatót.
	Viseljen szemvédőt	Mindig viseljen védőszemüveget vagy oldalsó védőlemezrel ellátott védőszemüveget és teljes védőálarcot a termék működtetése közben.
	CE	A termék megfelel az érvényes EK irányelveknek.
	WEEE	Az elhasználdott elektromos termékek nem helyezhetők a háztartási hulladék közé. Vigye hivatalos újrahasznosító telephelyre.
	Ne tegye ki eső hatásának	Ne használja esőben, és hagyja kint, ha esik az eső.
V	Volt	Feszültség
mm	milliméter	Hossz vagy méret
cm	centiméter	Hossz vagy méret
in.	inch	Hossz vagy méret
kg	kilogramm	Súly
lb	font	Súly
	Egyenáram	Áram típusa vagy jellemzői

HU

## AZ ELEKTROMOS SZERSZÁMOKRA VONATKOZÓ ÁLTALÁNOS BIZTONSÁGI FIGYELMEZTETÉSEK

**▲ FIGYELMEZTETÉS:** Olvassa el az összes biztonsági figyelmeztetés és az összes utasítást. Amennyiben nem követi a figyelmeztetéseket és utasításokat, áramütést, tüzet és/vagy súlyos sérülést okozhat.

**Őrizzen meg minden figyelmeztetést és utasítást, hogy később is elő tudja majd venni.**

Az „elektromos kéziszerszám” megnevezés a figyelmeztetéseken egyaránt vonatkozik a hálózati feszültségről meghajtott elektromos kéziszerszámokra (hálózati vezetékkel rendelkező elektromos kéziszerszámok), valamint az akkumulátorról működtetett elektromos kéziszerszámokra (hálózati vezeték nélküli elektromos kéziszerszámok).

### MUNKATERÜLET BIZTONSÁG

- **A munkaterület legyen tiszta és jól megvilágított.** A munkahelyen uralkodó rendetlenségnek vagy a rossz megvilágításnak baleset lehet a következménye.
- **Ne használjon elektromos szerszámokat robbanási veszélynek kitett környezetben, például olyan helyen, ahol éghető folyadékok, benzin vagy porok találhatóak.** Az elektromos kéziszerszámok szikrákat képeznek, amelyek meggyújthatják a porokat vagy gázokat.
- **Tartsa távol a gyermekeket és az illetéktelen személyeket, amikor elektromos kéziszerszámmal dolgozik.** Ha megzavarják, elveszítheti uralmát a készülék felett.

### ELEKTROMOS BIZTONSÁG

- **Az elektromos kéziszerszám hálózati csatlakozódugójának illeszkednie kell az alkalmazott elektromos aljzathoz. Soha és semmiképpen se módosítsa a csatlakozódugót. Ne használjon adapteres csatlakozódugókat a földelt elektromos kéziszerszámokhoz.** Az eredeti csatlakozódugó és megfelelő hálózati aljzat alkalmazásával megelőzi az áramütés veszélyét.
- **Kerülje el földelt felületek, mint pl. csövek, fűtőtestek, tűzhelyek vagy hűtőszekrények érintését.** Az áramütés kockázata nagyobb, ha a teste le van földelve.
- **Ne tegye ki az elektromos kéziszerszámot esőnek vagy nedves környezetnek.** Az elektromos kéziszerszámba bekerülő víz megnöveli az áramütés kockázatát.

- **Ne használja helytelen módon a hálózati vezetéket. Soha ne használja a kábelt az elektromos kéziszerszám hordozására, húzására vagy lecsatlakoztatására. Tartsa távol a vezetéket hőtől, olajtól, éles szegélyektől és mozgó alkatrészekről.** A sérült vagy összegabalyodott hálózati kábelek megnövelik az áramütés veszélyét.
- **Ha az elektromos kéziszerszámot a szabadban használja, akkor erre a célra kialakított hosszabbító vezetéket alkalmazzon.** A szabadtéren használható kábel alkalmazása csökkenti az áramütés kockázatát.
- **Ha elkerülhetetlen az elektromos kéziszerszám használata nedves helyen, használjon földelő áramköri megszakítóval ellátott tápellátást.** A GFCI használata csökkenti az áramütés veszélyét.

### SZEMÉLYI BIZTONSÁG

- **Legyen figyelmes, ügyeljen arra, amit csinál, és jőzön ésszel fogjon a munkához, ha elektromos kéziszerszámot használ.** Ne használjon elektromos kéziszerszámot, ha fáradt, kábítószert, alkohol vagy gyógyszer befolyása alatt áll. Az elektromos kéziszerszám üzemeltetése közben egy pillanatnyi figyelmetlenség is súlyos személyi sérülést okozhat.
- **Használjon személyi védőfelszerelést. Mindig viseljen védőszemüveget.** A védőfelszerelések, mint például porvédő maszk, csúszásmentes lábbeli, sisak és hallásvédő, rendeltetésszerű használata révén elkerüli a sérülési veszélyeket.
- **Akadályozza meg a véletlen indítást. Ügyeljen arra, hogy a kapcsoló kikapcsolts állásban legyen, mielőtt tápforrásra és/vagy akkumulátoregységre csatlakoztat, felveszi vagy viszi a szerszámot.** Balesetekhez vezethet, ha a hálózatra csatlakoztatott szerszámot úgy viszi, hogy közben az ujjá a bekapcsoló gombon van, vagy ha a hálózati csatlakozódugót olyankor dugja be az aljzatba, amikor be van kapcsolva a szerszám.
- **Vegye ki a szerszámkulcsot és a beállító szerszámot, mielőtt az elektromos kéziszerszámot bekapcsolná.** Az elektromos kéziszerszám mozgó alkatrészén felejtett csavarkulcs vagy szerszám személyi sérülést okozhat.
- **Ne hajoljon a gép fölé. Vegyen fel stabil testhelyzetet, és mindig tartsa meg az egyensúlyát.** Ezáltal jobban tudja irányítani az elektromos kéziszerszámot a legváratlanabb helyzetben is.
- **Viseljen megfelelő ruhát. Ne viseljen laza ruházatot vagy ékszereket. Tartsa távol haját, ruházatát és kesztyűjét a mozgó alkatrészekről.** A laza ruházatot, az ékszert vagy a hosszú hajat becsíphetik a mozgó alkatrészek.

- Ha az elektromos kéziszerszámot poreszívó vagy porlefúgó eszközzel szerelik fel, akkor győződjön meg arról, hogy ezek előírászerűen vannak-e csatlakoztatva, és használja őket a rendeltetésüknek megfelelően. Porgyűjtő használata csökkentheti a porral járó veszélyeket.

## A KÉZI SZERSZÁMGÉP ÜZEMELTETÉSE ÉS GONDOZÁSA

- Ne terhelje túl az elektromos kéziszerszámot. A munkájához használja az arra alkalmas elektromos kéziszerszámmal. A megfelelő elektromos kéziszerszámmal jobban és biztonságosabban dolgozhat a megadott teljesítményhatárokon belül.
- Ne használja az elektromos kéziszerszámot, ha nem lehet a bekapcsoló segítségével be- vagy kikapcsolni. Az olyan elektromos kéziszerszám, amely nem irányítható a kapcsolóval, veszélyes és javításra szorul.
- Húzza ki a hálózati csatlakozó dugót az aljzattól, mielőtt beállításokat végezne, tartozékot cserélne vagy az elektromos kéziszerszámot félretenné. Az ilyen megelőző biztonsági óvintézkedések csökkentik az elektromos kéziszerszám véletlen beindításának kockázatát.
- A használaton kívüli elektromos kéziszerszámokat gyermekektől távol tartsa, és ne engedje meg, hogy olyan személyek használják az elektromos kéziszerszámot, akik nem ismerik azt, vagy nincsenek tisztában ezekkel a biztonsági utasításokkal. Az elektromos kéziszerszámok veszélyt jelentenek a gyakorlatlan felhasználó kezében.
- Gondosan ápolja az elektromos kéziszerszámot. Ellenőrizze a mozgó részek beállítását és rögzítését, vizsgáljon meg minden részt, nem sérült-e, és ellenőrizze, nem állnak-e fenn olyan körülmények, amelyek befolyásolhatják az elektromos kéziszerszámok helyes kezelését. Használat előtt javíttassa meg a sérült elektromos kéziszerszámot. A rosszul karbantartott elektromos kéziszerszámok sok balesetet okoznak.
- A vágószerszámok legyenek mindig élesek és tiszták. A megfelelően karbantartott és kiélezett vágószerével rendelkező vágószerszámok kevésbé hajlamosak az elgörbülésre, valamint könnyebben kezelhetők.
- Az elektromos kéziszerszámot, tartozékot, vágóféléteket, stb. mindig ezen biztonsági utasításoknak megfelelően használja, mindig vegye figyelembe a munkakörülményeket, és legyen tekintettel a megmunkálendő munkadarabra. Az elektromos kéziszerszámoknak az előírt rendeltetési céltól eltérő célra való használata veszélyes.

- Az 56 V-os PH1400E meghajtófej kizárólag a következő EGO alkatrészekkel használható:

ALKATRÉS Z TÍPUSA	MODELLSZÁM
Gyalugép	EA0800
Fűkasza	BCA1200
Fűkaszaló	STA1500
Láncvezető	PSA1000
Sövénynyíró	HTA2000

## AZ AKKUMULÁTORRAL MŰKÖDŐ SZERSZÁM ÜZEMELTETÉSE ÉS GONDOZÁSA

- Csak a gyártó által meghatározott töltőt használja. Az olyan töltő, amely egy típusú akkumulátoregységhez alkalmas, tűzveszélyt okozhat, ha más típusú akkumulátoregységhez használja.
- Az elektromos kéziszerszámokat csak speciálisan meghatározott, lenti listában felsorolt akkumulátoregységekkel használja. Bármely más akkumulátoregység használata sérülés- vagy tűzveszélyt okozhat.

AKKUMULÁTOREGYSÉG	TÖLTŐ
BA1120E, BA2240E, BA2800, BA3360, BA4200 (A BA3360 és BA4200 nem alkalmazható, ha fűkasza alkatrészrel van felszerelve)	CH5500E, CH2100E

- Amikor nem használja az akkumulátoregységet, tartsa távol más fémtárgyaktól, például gemkapocs, érmék, kulcsok, tűk, csavarok vagy más kis fémtárgyak, amelyek kapcsolatba léphetnek vele. Amennyiben együtt tartja az akkumulátorokat, az égési sérülést vagy tüzet okozhat.
- Nem megfelelő körülmények között folyadék szívároghat az akkumulátorból; ne érjen ehhez. Amennyiben véletlenül hozzáérne, mossa le vízzel. Ha ez a folyadék szembe kerül, kiegészítőleg forduljon orvoshoz. Az akkumulátorból kiszivárgó folyadék irritációt vagy égést okozhat.

## SZERVIZ

- Az elektromos kéziszerszámot szakképzett személlyel, eredeti cserealkatrész felhasználásával javíttassa meg. Ezzel biztosítja az elektromos kéziszerszám biztonságának fenntartását.
- Amennyiben olyan helyzet adódik, amely nem szerepel a jelen használati útmutatóban, akkor óvatosan és kellő mérlegeléssel cselekedjen. Forduljon az EGO szervizközpontoz segítségért.

## ŐRIZZE MEG EZEKET AZ UTASÍTÁSOKAT!

KIEGÉSZÍTŐLEG SPECIÁLIS BIZTONSÁGI SZABÁLYOK TALÁLHATÓK A MEGFELELŐ ALKATRÉSZ HASZNÁLATI ÚTMUTATÓJÁBAN.

## MŰSZAKI ADATOK

Voltaj	56 V ---
Súly (akkumulátoregység nélkül)	2,73 kg

## CONTINUTUL AMBALAJULUI

DENUMIRE PIESĂ	CANTITATE
Meghajtófej	1
Beállítható elülső segédfogantyú	1
Vállsúly	1
Manual de instrucțiuni	1

## DESCRIERE

### ISMERJE MEG A MEGHAJTÓFEJET (A. ábra)

1. Légmenteti nyílás
2. Légbemeneti nyílás
3. Hátsó fogantyú
4. Kikapcsoló gomb
5. Alacsony/nagy sebesség kapcsoló
6. Határoló gyűrű
7. Beállítható elülső segédfogantyú
8. Csatlakozó
9. Tengelykioldó gomb
10. Rögzítőgomb
11. Fogórúd
12. Trigger
13. Akkumulátor kioldógomb
14. Gumi alátét
15. Zár
16. Elektromos csatlakozások
17. Kioldó mechanizmus
18. Vállsúly (speciális tartozék)

HU

## ÖSSZESZERELÉS

**⚠ FIGYELMEZTETÉS:** Ha bármely alkatrész sérült vagy hiányzik, akkor ne működtesse a terméket, amíg az alkatrészeket ki nem cserélik. Sérült vagy hiányzó alkatrészekkel való használat súlyos személyes sérülést okozhat.

**⚠ FIGYELMEZTETÉS:** Mindig vegye ki az akkumulátoregységet a termékből, amikor összeszereli az alkatrészeket, beállításokat, tisztítást végez, vagy amikor nem használja a terméket.

## ALKATRÉSZ CSATLAKOZTATÁSA A MEGHAJTÓFEJHEZ

**⚠ FIGYELMEZTETÉS:** Olvassa el, és értse meg a meghajtófejjel használt minden opcionális alkatrész használati útmutatóját, és tartson be minden figyelmeztetést és utasítást. Az utasítások be nem tartása áramütést, tűzveszélyt és/vagy súlyos sérülést idézhet elő.

**⚠ FIGYELMEZTETÉS:** Az 56 V-os PH1400E meghajtófejet olyan EGO tartozék modellekhez szabad használni, amelyek a jelen használati útmutatóban meg vannak határozva, vagy az EGO utólag engedélyezte ezek használatát a meghajtófejjel. Más, nem engedélyezett tartozékok használata súlyos személyi sérüléseket vagy anyagi kárt okozhat.

**⚠ FIGYELMEZTETÉS:** Soha ne telepítsen, távolítsa el vagy állítsa be tartozékokat, mialatt a meghajtófej működésben van, vagy ha az akkumulátor be van helyezve. Ha nem sikerül leállítani a motort, vagy kivenni az akkumulátort, akkor az súlyos személyi sérüléseket okozhat. **SOHA NE MŰKÖDTESSE A MEGHAJTÓFEJET TARTOZÉK NÉLKÜL.**

A tartozék a meghajtófejhez egy csatlakozó készülékkel csatlakozik.

1. Állítsa le a motort, és vegye ki az akkumulátoregységet.
2. Oldja ki a rögzítőgombot.
3. Vegye le a sapkát a tartozékról. Illessze a tartozék tengelyen lévő nyilat a csatlakozón lévő nyílhoz, és tolja a tartozék tengelyt a csatlakozóba, amíg kattantást nem hall, amely azt jelzi, hogy a tartozék tengely a helyén van (B ábra).

A B ábra alkatrészeinek leírását lásd lent:

B-1	Tartozék tengely	B-4	Nyíl a csatlakozón
B-2	Nyíl a tartozék tengelyen	B-5	Tengelykioldó gomb
B-3	Rögzítőgomb	B-6	Meghajtófej tengely

- Húzza ki a tengelyt a tartozékból, hogy megnézze, biztonságosan van-e a csatlakozóban rögzítve. Ha nem, akkor fordítsa el a tartozék tengelyt mindkét oldalra, amíg a helyére nem kattán.
- Húzza meg biztonságosan a rögzítógombot.

**⚠ FIGYELMEZTETÉS:** A készülék működtetése előtt győződjön meg arról, hogy a rögzítógomb meg van-e húzva; időnként ellenőrizze a rögzítettséget használat közben a súlyos személyi sérülések elkerülése érdekében.

#### ALKATRÉSZ LEVÉTELE A MEGHAJTÓFEJRŐL

- Állítsa le a motort, és vegye ki az akkumulátoregységet.
- Oldja ki a rögzítógombot.
- Nyomja meg a tengelykioldó gombot a gomb megnyomásával, húzza ki vagy fordítsa ki a tartozék tengelyt a csatlakozóból.

#### AZ ELÜLSŐ SEGÉDFOGANTYÚ FELSZERELÉSE ÉS BEÁLLÍTÁSA

- Állítsa le a motort, és vegye ki az akkumulátoregységet, ha be van helyezve.
- Oldja ki a szárnyas anyát a beállítható elülső fogantyú levételéhez (C ábra).

A C. ábra alkatrészeinek leírását lásd lent:

C-1	Rögzítőrúd	C-3	Elülső fogantyú fogórúddal
C-2	Rögzítőkapocs	C-4	Szárnyas anya

- Tolja az elülső fogantyút a tengelyre a határoló gyűrű és a csatlakozó közé (D ábra).
- Helyezze a rögzítőkapcsot a fogantyú nyílásba (E ábra).
- Szerelje fel a rögzítőrudat, és húzza meg őket a szárnyas anyával. Ellenőrizze, hogy az elülső fogantyú felfelé és a hátsó fogantyú felé néz-e (F ábra).
- Állítsa az első segédfogantyút a határoló gyűrű és a csatlakozó közé, hogy az elülső karja egyenes legyen működés közben (G ábra).

A G. ábra alkatrészeinek leírását lásd lent:

G-1	Nyíl	G-2	Megengedett tartomány
-----	------	-----	-----------------------

- Majd rögzítse a rögzítőrúd karját (H ábra).

**⚠ FIGYELMEZTETÉS:** Soha ne működtesse a szerszámot, ha az elülső fogantyú nincs megfelelően a helyén.

**⚠ FIGYELMEZTETÉS:** Csak az elülső fogantyút rögzítse a határoló gyűrű és a csatlakozó közé.

#### A VÁLLSZÍJ FELSZERELÉSE

Nyomja le a vállszip kampóját a kinyitáshoz, és csatlakoztassa a meghajtófejen lévő vállszip akasztóba (I ábra).

#### MŰKÖDTETÉS

**⚠ FIGYELMEZTETÉS:** Ne hagyja, hogy a termékkel szerzett jártassága miatt óvatlanná váljon. Emlékezzen arra, hogy a másodperc töredéke alatt történő óvatlanság súlyos sérülést okozhat.

**⚠ FIGYELMEZTETÉS:** Mindig viseljen védőszemüveget. Amennyiben nem ezt teszi, tárgyak repülhetnek a szemébe, és más komoly sérülések keletkezhetnek.

**⚠ FIGYELMEZTETÉS:** Ne használjon a gyártó által nem javasolt tartozékokat a termékhez. A nem javasolt tartozékok használata súlyos személyes sérülést okozhat.

**⚠ FIGYELMEZTETÉS: SOHA NE MŰKÖDTESSE A MEGHAJTÓFEJET TARTOZÉK NÉLKÜL.**

#### AZ AKKUMULÁTOREGYSÉG FELHELYEZÉSE/ KIVÉTELE

**MEGJEGYZÉS:** Az első használat előtt teljesen töltsse fel az akkumulátoregységet.

#### Telepítés

Illesse az akkumulátor vázát az akkumulátorban lévő szerelőnyíláshoz, és nyomja le az akkumulátoregységet, amíg kattantást nem hall (J ábra).

Az J ábra alkatrészeinek leírását lásd lent:

J-1	Szerelőnyílás
J-2	Rács

#### Levétel

Oldja ki az akkumulátor kioldógombot, és húzza ki az akkumulátoregységet (K ábra).

**FIGYELMEZTETÉS:** A súlyos személyi sérülések elkerülése érdekében mindig vegye ki az akkumulátoregységet, és vegye le a kezét a kikapcsoló gombról, és a triggerről, amikor az eszközt szállítja.

## A MEGHAJTÓFEJ INDÍTÁSA/LEÁLLÍTÁSA (L ábra)

### Indítás

Nyomja meg és tartsa lenyomva a kapcsoló kart, és tartsa ebben a pozícióban. Nyomja meg a triggert a meghajtófej bekapcsolásához. Ha különböző erősséggel nyomja meg a triggert, akkor a meghajtófej változó vágási sebességgel működik. Erősebb nyomásnál nagyobb a sebesség.

### Leállítás

Oldja ki a triggert.

**MEGJEGYZÉS:** A motor csak akkor működik, ha a kapcsoló gombot és a triggert is megnyomja.

### Sebességállító funkció (L ábra)

A meghajtófej két sebességgel működik. Az „1.” pozíció az alacsony sebességet, míg a „2.” pozíció a nagy sebességet jelöli. Tolja vagy húzza a nagy/alacsony sebességkapcsolót a megfelelő sebesség kiválasztásához működés közben.

Az L ábra alkatrészeinek leírását lásd lent:

L-1	Alacsony/nagy sebesség kapcsoló
L-2	Kikapcsoló gomb
L-3	Trigger

## KARBANTARTÁS

**▲ FIGYELMEZTETÉS:** Az egység ellenőrzése, tisztítása vagy szervizelése előtt állítsa le a motort, várjon, amíg minden mozgó alkatrész leáll, és vegye ki az akkumulátoregységet. A jelen utasítások be nem tartása súlyos személyi sérülést vagy anyagi kárt eredményezhet.

**▲ FIGYELMEZTETÉS:** Javításkor használjon azonos pótkatrészeket. Más alkatrészek használata veszélyt okozhat, vagy megrongálhatja a terméket. A biztonságosság és megbízhatóság biztosítása érdekében minden javítást szakképzett szerviztechnikus hajtson végre.

**MEGJEGYZÉS:** Minden használat előtt ellenőrizze a terméket, hogy nem sérült-e, nincsenek-e hiányzó vagy laza alkatrészek, például csavarok, anyák, alátétek, sapkák stb. Biztonságosan húzzon meg minden rögzítőt és kupakot, és ne működtesse a terméket, amíg minden hiányzó vagy sérült alkatrész ki nincs cserélve. Kérjük, lépjen kapcsolatba az ügyfélszolgálatl vagy szakképzett szakszerviz szakemberrel.

### ÁLTALÁNOS KARBANTARTÁS

A műanyag alkatrészek tisztításához ne használjon oldószereket. A legtöbb műanyag a vegyi oldószerek által deformálódás általi sérülésnek van kitéve, ezek megrongál-

hatják őket. Használjon tiszta ruhát a szennyeződés, por, olaj, zsír stb. eltávolításához.

### A MEGHAJTÓFEJ TISZTÍTÁSA

1. Állítsa le a motort, és vegye ki az akkumulátoregységet.
2. Tisztítsa le a szennyeződések a meghajtófejről egy nedves ruhával és kímélő tisztítószerrel.

**MEGJEGYZÉS:** Ne használjon erős tisztítószereket a műanyag burkolaton vagy a fogantyún. Ezek megsérülhetnek a különböző aromaolajaktól, pl. fenyő vagy citrom.

### A MEGHAJTÓFEJ TÁROLÁSA

1. Tárolás előtt vegye ki az akkumulátoregységet a meghajtófejből.
2. Tisztítson le minden idegen anyagot a meghajtófejről.
3. Gyermekek számára nem elérhető helyen tárolja.
4. Tartsa távol maró hatású szerektől, például kerti vegyszerektől, és égmentesítő sőtől.

### A környezet védelme



Ne dobja az elektromos felszerelést, az akkumulátor töltőt és az akkumulátorokat/újratölthető akkumulátorokat a háztartási hulladékok közé!

Az elektromos és elektronikus berendezések hulladékairól szóló 2012/19/EU európai törvény, amely már nincs érvényben, és az 2006/66/EK európai törvény értelmében a sérült vagy elhasznált akkumulátoregységeket/akkumulátorokat külön kell gyűjteni.

Ha az elektromos berendezéseket talajfeltöltési vagy árokbetömési célokra használják, olyan veszélyes anyagok kerülhetnek belőlük a talajvízbe, majd onnan a táplálkozási láncba, amelyek veszélyeztetik az egészséget.

## HIBAELHÁRÍTÁS

Lásd a megfelelő tartozékok használati útmutatóit.

## GARANCIA

### EGO GARANCIÁLIS FELTÉTELEK

Kérjük, látogasson el az [egopowerplus.com](http://egopowerplus.com) oldalra, ahol megtalálja a részletes EGO garanciális feltételeket.

01/12/2016

## CITIȚI TOATE INSTRUCȚIUNILE!



### CITIȚI MANUALUL DE INSTRUCȚIUNI

**⚠ Riscuri reziduale!** Persoanele cu dispozitive electronice precum stimulatoare cardiace ar trebui să-și consulte medicul (medicii) înainte de a utiliza acest produs. Utilizarea unui echipament electric în imediata apropiere a unui stimulator cardiac poate cauza interferențe sau până stimulatorului.

**⚠ AVERTISMENT:** Pentru siguranța și fiabilitatea produsului, toate reparațiile ar trebui efectuate de către un tehnician de service autorizat.

## SIMBOLURI PRIVIND SIGURANȚA

Scopul simbolurilor privind siguranța este să vă atragă atenția asupra pericolelor posibile. Simbolurile privind siguranța și explicațiile furnizate cu acestea merită atenția și înțelegerea dumneavoastră. Simbolurile de avertizare, ele singure, nu elimină niciun pericol. Instrucțiunile și avertismentele pe care le oferă nu pot înlocui măsurile corecte de prevenire a accidentelor.

**⚠ AVERTISMENT:** Asigurați-vă că ați citit și înțelegți toate instrucțiunile privind siguranța din acest Manual de utilizare, inclusiv toate simbolurile de alertă privind siguranța precum "PERICOL," "AVERTISMENT," și "ATENȚIE" înainte de a utiliza această sculă. Nerespectarea tuturor avertismentelor și instrucțiunilor poate duce la electrocutare, incendiu și/sau răniri grave.

## SEMNIFICAȚIA SIMBOLURILOR

**⚠ SIMBOL DE AVERTIZARE PRIVIND SIG-**

**URANȚA:** Indică **PERICOL**, **AVERTISMENT**, sau **ATENȚIE**. Poate fi utilizat împreună cu alte avertismente sau pictograme.



**⚠ AVERTISMENT:** Operarea oricăror scule electrice poate rezulta în proiectarea înspire ochii dumneavoastră a unor obiecte străine, ceea ce poate duce la vătămări grave ale ochilor. Înainte de a începe să utilizați scula electrică, întotdeauna purtați ochelari de protecție cu apărători laterale și vizieră facială completă când este nevoie. Vă recomandăm să purtați o Vizieră lată de protecție peste ochelarii de vedere sau ochelari de protecție standard cu apărători laterale.

## INSTRUCȚIUNI PRIVIND SIGURANȚA

Această pagină descrie simbolurile de siguranță ce pot apărea pe acest produs. Citiți, înțelegeți, și respectați toate instrucțiunile de pe mașină înainte de asamblare și operare.

	Alertă privind siguranța	Indică un risc posibil de vătămare personală.
	Citiți manualul de instrucțiuni	Pentru a reduce riscul de rănire, utilizatorul trebuie să citească și să înțeleagă manualul de instrucțiuni înainte de a utiliza acest produs.
	Purtați echipament de protecție oculară	Purtați întotdeauna ochelari de protecție sau ochelari de protecție cu apărători laterale și o vizieră facială completă când utilizați acest produs.
	CE	Acest produs este în conformitate cu directivele europene aplicabile.
	DEEE	Deșeurile produselor electrice nu trebuie să fie eliminate împreună cu deșeurile menajere. Predați-le unui punct de reciclare autorizat.
	A nu se expune la ploaie	Nu utilizați acest produs în ploaie și nu-l lăsați în exterior în timp ce plouă.
V	Volt	Voltaaj
mm	Milimetru	Lungime sau dimensiuni
cm	Centimetru	Lungime sau dimensiuni
in.	Inch	Lungime sau dimensiuni
kg	Kilogram	Greutate
lb	Livră	Greutate
	Curent continuu	Tip sau o caracteristică a curentului

**RO**

## INSTRUCȚIUNI GENERALE DE SIGURANȚĂ PENTRU SCULE ELECTRICE

**⚠️ AVERTISMENT:** Citiți toate avertismentele și instrucțiunile de siguranță. Nerespectarea avertizărilor și instrucțiunilor se poate solda cu șoc electric, incendiu și/sau vătămare corporală gravă.

**Păstrați toate avertizările și instrucțiunile pentru consultare ulterioară.**

Termenul „sculă electrică” din avertizări se referă la scula electrică (cu cablu) alimentată de la rețeaua electrică sau scula electrică (fără cablu de alimentare) care funcționează cu acumulator.

### SIGURANȚA ZONEI DE LUCRU

- **Păstrați zona de lucru curată și bine iluminată.** Zonele dezordonate și întunecoase predisun la accidente.
- **Nu puneți în funcțiune sculele electrice în atmosfere explozive, cum ar fi în prezența lichidelor, gazelor sau prafului inflamabile.** Sculele electrice creează scânteii, care pot aprinde praful sau gazele.
- **Țineți copiii și persoanele prezente la distanță atunci când operați o sculă electrică.** Distragerea atenției vă poate face să pierdeți controlul.

### SIGURANȚA ELECTRICĂ

- **Ștecherile sculelor electrice trebuie să corespundă cu priza de rețea electrică. Nu modificați niciodată ștecherul în vreun fel. Nu utilizați adaptoare de priză cu scule electrice împământate.** Ștecherile nemodificate și prizele adecvate vor reduce riscul de electrocutare.
- **Evitați contactul corpului cu suprafețele legate la împământare, cum sunt țevile, caloriferele, mașinile de gătit și frigiderule.** Riscul de electrocutare este sporit în cazul care corpul dumneavoastră este împământat.
- **Nu expuneți sculele electrice la ploaie sau condiții de umiditate.** Pătrunderea apei într-o sculă electrică va crește riscul de electrocutare.
- **Nu folosiți în mod abuziv cablul de alimentare. Nu utilizați niciodată cordonul de alimentare pentru a transporta, a trage sau a scoate din priză scula electrică. Țineți cablul de alimentare departe de căldură, ulei, margini tăioase sau piese în mișcare.** Cablurile electrice deteriorate sau încălțite cresc riscul de electrocutare.
- **Când utilizați o sculă electrică în aer liber utilizați un cablu prelungitor adecvat pentru utilizarea în aer liber.** Utilizarea unui cablu adecvat pentru utilizare în aer liber reduce riscul de electrocutare.

- **Dacă utilizarea unei scule electrice într-o zonă umedă este inevitabilă, utilizați o sursă de alimentare protejată cu un întrerupător de protecție la defecțiune circuit de împământare.** Utilizarea unui întrerupător de protecție la defecțiune circuit de împământare (GFCI) reduce riscul de electrocutare.

### SIGURANȚA PERSONALĂ

- **Păstrați-vă vigilența, urmăriți ceea ce faceți și apelați la bunul simț când utilizați o sculă electrică. Nu utilizați o sculă electrică când sunteți obosit, sau sub influența medicamentelor, a alcoolului sau a medicației.** Un moment de neatenție în timp ce utilizați sculele electrice se poate solda cu vătămări grave.
- **Utilizați echipamente de protecție personală. Purtați întotdeauna echipament de protecție oculară.** Echipamentele de protecție, cum ar fi masca de praf, bocancii de protecție antiderapanți, cască sau protecțiile auditive utilizate în condiții corespunzătoare, vor reduce vătămările corporale.
- **Preveniți pornirea accidentală. Asigurați-vă că întrerupătorul este în poziția oprit înainte de a conecta la o sursă de alimentare și/sau set de acumulatori, înainte de a ridica sau transporta scula.** Transportarea sculelor electrice cu degetul pe întrerupător sau cu alimentarea cu energie electrică pornită, predisune la accidente.
- **Îndepărtați orice cheie de reglare înainte de a porni scula electrică.** O cheie reglabilă sau una fixă lăsată într-o piesă rotativă a sculei electrice poate duce la accidente.
- **Nu vă întindeți excesiv. Păstrați-vă întotdeauna o poziție stabilă a picioarelor și echilibrul.** Astfel veți avea un mai bun control asupra sculei electrice în situații neașteptate.
- **Îmbrăcați-vă corespunzător. Nu purtați haine largi sau bijuterii.** Păstrați-vă părul, îmbrăcămintea și mânușile departe de componentele în mișcare. Îmbrăcămintea largă, bijuteriile sau părul lung pot fi prinse de piesele în mișcare.
- **Dacă sunt furnizate dispozitive pentru conectarea sistemelor de extragere și colectare a prafului, asigurați-vă că acestea sunt conectate și utilizate corespunzător.** Utilizarea dispozitivelor colectoare de praf poate reduce pericolele legate de praf.

### UTILIZAREA ȘI ÎNGRIJIREA SCULELOR ELECTRICE

- **Nu forțați scula electrică. Utilizați scula electrică corespunzătoare pentru aplicația dumneavoastră.** Scula electrică corectă va face o treabă mai bună și mai sigură când este utilizată conform specificațiilor pentru care a fost concepută.



- **Nu utilizați scula electrică dacă întrerupătorul nu comută pe pozițiile pornit și oprit.** Orice sculă electrică ce nu poate fi controlată cu întrerupătorul este periculoasă și trebuie reparată.
- **Deconectați ștecherul de la sursa de alimentare și/sau setul de acumulatori de scula electrică înainte de efectuarea oricăror reglaje, schimbări de accesorii sau înainte de depozitarea sculelor electrice.** Astfel de măsuri preventive de siguranță reduc riscul de pornire accidentală a sculei electrice.
- **Depozitați sculele electrice într-un loc inaccesibil copiilor și nu permiteți utilizarea sculei electrice de persoane nefamiliarizate cu aceasta sau cu aceste instrucțiuni.** Sculele electrice sunt periculoase în mâna utilizatorilor neinstruiți.
- **Întrețineți sculele electrice. Verificați dacă există abateri de la coaxialitate sau îndoiri ale pieselor în mișcare, avarii ale pieselor și orice altă situație care poate afecta funcționarea sculelor electrice.** În caz de deteriorare, reparați scula electrică înainte de utilizare. Multe accidente sunt cauzate de sculele electrice prost întreținute.
- **Mențineți sculele de tăiere ascuțite și curate.** Sculele de tăiere întreținute corespunzător și cu muchii de tăiere ascuțite riscă mai puțin să se îndoie și sunt mai ușor de controlat.
- **Utilizați scula electrică, accesoriiile și cuțitele demontabile etc. în conformitate cu aceste instrucțiuni, ținând cont de condițiile de lucru și lucrarea de efectuat.** Utilizarea sculei electrice pentru operații diferite de cele intenționate s-ar putea solda cu o situație periculoasă.
- **Acest cap de alimentare PH1400E de 56V poate fi utilizat numai cu următoarele dispozitive EGO:**

TIP DE DISPOZITIV	NUMĂR MODEL
Dispozitiv de profilat margini	EA0800
Trimmer pentru tufișuri	BCA1200
Trimmer cu fir	STA1500
Ferăstrău cu tijă	PSA1000
Trimmer electric cu tijă de tuns gardul viu	HTA2000

#### UTILIZAREA ȘI ÎNGRIJIREA ACUMULATORULUI

- **Reîncărcați numai cu încărcătorul specificat de producător.** Un încărcător adecvat pentru un tip de set de acumulatori poate prezenta risc de incendiu dacă e utilizat cu alt set de acumulatori.
- **Utilizați sculele electrice doar cu seturile de acumulatori special menționate mai jos.** Utilizarea oricărui alt set de acumulatori prezintă risc de accidente și incendiu.

SET DE ACUMULATORI	ÎNCĂRCĂTOR
BA1120E, BA2240E, BA2800, BA3360, BA4200 (BA3360 & BA4200 nu sunt aplicabile când sunt echipate cu un accesoriu de trimmer de tuns gard viu)	CH5500E, CH2100E

- **Când nu se utilizează setul de acumulatori, țineți-l departe de alte obiecte metalice precum clamele de hârtie, monedele, cheile, cuiele, șuruburile sau alte obiecte metalice mici care pot realiza o conexiune între borne.** Scurtcircuitarea bornelor bateriei poate produce arsuri sau un incendiu.
- **În condiții abuzive se poate scurge lichid din acumulator; evitați contactul. Dacă are loc contactul accidental, clătiți cu apă. Dacă lichidul intră în contact cu ochii, efectuați suplimentar un consult medical.** Lichidul scurs din acumulator poate produce iritații sau arsuri.

#### OPERAȚIILE DE SERVICE

- **Apelați numai la o persoană calificată pentru a vă repara scula electrică utilizând numai piese de schimb identice.** Astfel se asigură menținerea nivelului de siguranță al sculei electrice.
- **În cazul situațiilor care nu sunt adresate în acest manual, utilizați grijă și raționament.** Contactați centrul de service EGO pentru asistență.

#### PĂSTRAȚI ACESTE INSTRUCȚIUNI!

**REGULI SUPLIMENTARE DE SIGURANȚĂ SPECIFICE SE GĂSESC ÎN MANUALUL AFERENT DISPOZITIVELOR COMPATIBILE**

#### SPECIFICAȚII

Voltaj	56 V ---
Greutate (fără set de acumulatori)	2,73 kg

**RO**

## CONȚINUTUL AMBALAJULUI

DENUMIRE PIESĂ	CANTITATE
Cap de alimentare	1
Mâner frontal ajustabil	1
Curea de umăr	1
Manual de instrucțiuni	1

## DESCRIERE

### DESCRIEREA CAPULUI DE ALIMENTARE (Fig. A)

1. Evacuare aer
2. Admisie aer
3. Mâner posterior
4. Buton de blocare
5. Regulator de viteză ridicată/joasă
6. Inel limitator
7. Mâner frontal reglabil de operare
8. Cuplor
9. Buton de eliberare tijă
10. Șurub fluture
11. Barieră
12. Trăgaci
13. Buton de detașare acumulator
14. Amortizor cauciucat de protecție
15. Încuietoare
16. Contacte electrice
17. Mecanism de ejectare
18. Curea de umăr (accesoriu special)

RO

## ASAMBLAREA

**⚠️ AVERTISMENT:** În caz de piese avariate sau care lipsesc, nu utilizați acest produs dacă piesele nu sunt înlocuite. Utilizarea acestui produs cu piese avariate sau lipsă poate rezulta în vătămări personale grave.

**⚠️ AVERTISMENT:** Întotdeauna scoateți setul de acumulatori din produs înainte de a asambla componente, efectua reglaje, curăța sau când produsul nu este utilizat.

## CONECTAREA UNUI DISPOZITIV LA CAPUL DE ALIMENTARE

**⚠️ AVERTISMENT:** Citiți și înțelegeți întregul Manual de utilizare pentru fiecare dispozitiv opțional utilizat cu acest cap de alimentare și respectați toate avertismentele și instrucțiunile. Nerespectarea tuturor instrucțiunilor poate duce la electrocutare, incendii și/sau răni grave.

**⚠️ AVERTISMENT:** Acest cap de alimentare PH1400E de 56V este proiectat pentru a fi utilizat numai cu modelele dispozitivelor EGO specificate în acest Manual de instrucțiuni sau introduse după aceea de EGO pentru a fi utilizate cu acest cap de alimentare. Utilizarea altor dispozitive, neautorizate poate cauza răni grave sau pagube.

**⚠️ AVERTISMENT:** Niciodată nu instalați, îndepărtați sau ajustați vreun dispozitiv în timp ce capul de tăiere este în funcțiune sau dacă acumulatorul este instalat. Neoprirea motorului și neîndepărtarea acumulatorului se pot solda cu răni personale grave. **NU PUNEȚI NICIODATĂ CAPUL DE ALIMENTARE ÎN FUNCȚIUNE FĂRĂ UN ACCESORIU ATAȘAT.**

Dispozitivul se conectează la capul de alimentare cu ajutorul unui cuplor.

1. Opriți motorul și scoateți setul de acumulatori.
2. Slăbiți șurubul cu cap de fluture.
3. Îndepărtați dopul de pe tija dispozitivului. Aliniați săgeata de pe tija dispozitivului cu săgeata de pe cuplor și împingeți tija dispozitivului în cuplor până la auzul unui "clic" distinct, care indică instalarea tijei în poziție (Fig. B).

Fig. B pentru descrierea pieselor consultați tabelul de mai jos:

B-1	Tijă dispozitiv	B-4	Săgeată de pe cuplor
B-2	Săgeată de pe tija dispozitivului	B-5	Buton de eliberare tijă
B-3	Șurub cu cap de fluture	B-6	Tijă cap de alimentare

4. Trageți de tija dispozitivului pentru a vă asigura că aceasta este bine blocată în cuplor. Dacă nu, rotiți tija dispozitivului dintr-o parte în alta a cuplorului până se anclanșează.
5. Strângeți bine șurubul cu cap de fluture.

**⚠️ AVERTISMENT:** Asigurați-vă că șurubul cu cap de fluture este bine strâns înainte de a utiliza echipamentul; asigurați-vă periodic că este bine strâns în timpul utilizării pentru evitarea rănilor grave.

## DECONNECTAREA DISPOZITIVULUI DE CAPUL DE ALIMENTARE

1. Oprii motorul și scoateți setul de acumulatori.
2. Slăbiți șurubul cu cap de fluture.
3. Apăsăți butonul de eliberare a tijei, mențineți-l apăsat și trageți sau răsucați de tija dispozitivului pentru a-l scoate din cuplor.

## MONTAREA ȘI REGLAREA MÂNERULUI FRONTAL DE OPERARE

1. Oprii motorul și scoateți setul de acumulatori, dacă acesta este instalat.
2. Slăbiți piulița fluture pentru a separa mânerul frontal ajustabil (Fig. C).

Fig. C pentru descrierea componentelor consultați tabelul de mai jos:

C-1	Manetă de blocare	C-3	Mâner frontal ajustabil cu barieră
C-2	Sabot de prindere	C-4	Piuliță fluture

3. Împingeți mânerul frontal ajustabil în pe tijă între inelul limitator și cuplor (Fig. D).
4. Introduceți sabotul de prindere în fanta mânerului (Fig. E).
5. Instalați maneta de blocare și strângeți cu piulița-fluture. Asigurați-vă că mânerul frontal ajustabil este îndreptat în sus și indică înșpre partea de sus a mânerului posterior (Fig. F).
6. Poziționați mânerul frontal între inelul limitator și cuplor astfel încât brațul dumneavoastră să stea drept în timpul utilizării (Fig. G).

Fig. G pentru descrierea componentelor consultați tabelul de mai jos:

G-1	Săgeată	G-2	Interval limitator
-----	---------	-----	--------------------

7. După care blocați maneta de blocare (Fig. H).

**AVERTISMENT:** Nu utilizați niciodată scula fără mânerul frontal bine fixat.

**AVERTISMENT:** Fixați mânerul frontal numai între inelul limitator și cuplor.

## MONATREA CURELEI DE UMĂR

Apăsăți carabinierea curelei pentru a o deschide și prindeți-o de agățătoarea curelei de umăr montată pe capul alimentat (Fig. I).

## FUNȚIONAREA

**AVERTISMENT:** Nu permiteți ca familiarizarea cu acest produs să vă facă neglijent. Amintiți-vă că o fracțiune de secundă de neglijență este suficientă pentru a provoca vătămări grave.

**AVERTISMENT:** Purtați întotdeauna echipament de protecție oculară. Nerespectarea acestei instrucțiuni ar putea avea ca rezultat proiectarea în ochi a obiectelor și alte posibile vătămări grave.

**AVERTISMENT:** Nu utilizați nicio componentă sau accesoriu care nu a fost recomandat de producătorul acestui produs. Utilizarea de accesorii nerecomandate se poate solda cu vătămări grave.

**AVERTISMENT: NU PUNEȚI NICIODATĂ CAPUL DE ALIMENTARE ÎN FUNCȚIUNE FĂRĂ UN DISPOZITIV ATAȘAT.**

## INSTALAREA/ÎNDEPĂRTAREA SETULUI DE ACUMULATORI

**NOTĂ:** Reîncărcați complet setul de acumulatori înaintea primei utilizări.

### Instalarea

Aliniați nervurile de pe acumulator cu fantele de instalare și apăsați în jos setul de acumulatori până la auzul unui clic (Fig. J).

Fig. J pentru descrierea pieselor consultați tabelul de mai jos:

J-1	Fantă de instalare
J-2	Nervură

### Îndepărtarea

Apăsăți butonul de detașare al setului de acumulatori și scoateți setul de acumulatori (Fig. K).

**AVERTISMENT:** Pentru a evita vătămările grave, scoateți întotdeauna setul de acumulatori și nu atingeți cu mâna butonul de blocare când deplasați sau transportați scula.

## PORNIREA/OPRIREA CAPULUI DE ALIMENTARE (Fig. L)

### Pornirea

Apăsăți în jos butonul de blocare și mențineți-l în această poziție. Apăsăți trăgaciul pentru a porni capul de alimentare. Gradul de apăsare al trăgaciului influențează viteza de rotire a capului de alimentare. Cu cât presiunea de apăsare este mai mare, cu atât va fi și viteza mai mare.

## Oprirea

Eliberați trăgaciul.

**OBSERVAȚIE:** Motorul funcționează numai când maneta și trăgaciul sunt amândouă apăstate.

## Funcția de reglare a vitezei (Fig. L)

Capul de alimentare are două viteze. Poziția "1" este pentru viteză scăzută în timp ce Poziția "2" este pentru viteză mare. Împingeți sau trageți regulatorul de viteză pentru a alege viteză adecvată în timpul utilizării.

Fig. L pentru descrierea pieselor consultați tabelul de mai jos:

L-1	Regulator de viteză
L-2	Buton de blocare
L-3	Trăgaci

## ÎNTREȚINEREA

**⚠️ AVERTISMENT:** Înainte de a inspecta, curăța sau de efectua operațiuni de service asupra aparatului, opriți motorul, asigurați-vă că toate componentele mobile sunt oprite și îndepărtați setul de acumulatori dacă este nevoie. Nerespectarea acestor instrucțiuni se poate solda cu vătămări corporale grave sau distrugerea bunurilor.

**⚠️ AVERTISMENT:** Când efectuați operații de service, utilizați doar piese de schimb identice. Utilizarea oricărui altor piese poate crea un pericol sau poate produce o deteriorare. Pentru siguranța și fiabilitatea produsului, toate reparațiile ar trebui efectuate de către un tehnician de service autorizat.

**OBSERVAȚIE:** Înainte de fiecare utilizare, inspectați întregul produs pentru depistarea de piese deteriorate, piese care lipsesc sau care sunt desfăcute, precum șuruburi, piulițe, bolțuri, capace etc. Strângeți bine toate elementele de fixare și nu puneți în funcțiune acest produs până când nu se înlocuiesc toate piesele deteriorate sau lipsă. Vă rugăm contactați serviciul de clienți sau un tehnician de service calificat.

## ÎNTREȚINERE GENERALĂ

Evitați utilizarea solvenților când curățați piese din plastic. Majoritatea pieselor din plastic sunt susceptibile să se deterioreze de la diverse tipuri de solvenți comerciali și se pot defecta prin utilizarea acestora. Utilizați cârpe curate pentru a îndepărta murdăria, praful, uleiul, vaselina etc.

## CURĂȚAREA CAPULUI DE ALIMENTARE

1. Opriti motorul și scoateți setul de acumulatori.
2. Curățați murdăria și resturile de pe capul de alimentare cu ajutorul unei cârpe ușor umezite cu detergent slab.

**OBSERVAȚIE:** Nu utilizați detergenți puternici pe carcasa de plastic sau pe mâner. Acestea pot fi deteriorarea de anumite uleiuri parfumate precum molid și lămâie.

## DEPOZITAREA CAPULUI DE ALIMENTARE

1. Scoateți setul de acumulatori din capul de alimentare înainte de depozitare.
2. Curățați toate materiile străine de pe capul de alimentare.
3. Depozitați-l într-un loc inaccessibil copiilor.
4. Țineți-l la distanță de agenți corozivi, precum substanțele chimice de grădină și sărurile de dezghețare.

## Protejarea mediului înconjurător



Nu eliminați echipamentul electric, încărcătorul de acumulatori și bateriile/acumulatorii împreună cu deșeurile menajere!

Conform Directivei europene 2012/19/UE, sculele echipamentele electrice și electronice care nu mai sunt utilizabile, și conform Directivei europene 2006/66/CE, seturile de acumulatori/bateriile defecte sau uzate trebuie colectate separat.

Dacă aparatele electrice sunt aruncate la groapa de gunoi sau la haldă, se pot scurge substanțe periculoase în pânza freatică și acestea pot intra în lanțul trofic, afectându-vă sănătatea și bunăstarea

## GHID DE DEPANARE

Consultați manualul de instrucțiuni al dispozitivului aplicabil.

## GARANȚIA

### POLITICA DE GARANȚIE EGO

Vă rugăm consultați website-ul [egopowerplus.com](http://egopowerplus.com) pentru termenii și condițiile complete ale politicii de garanție EGO.

01/12/2016

## PREBERITE VSA NAVODILA!



### PREBERITE PRIROČNIK Z NAVODILI ZA UPORABO

**⚠️ Preostalo tveganje!** Pred uporabo izdelka se morajo osebe z elektronskimi napravami, kot je srčni spodbujevalnik, posvetovati s svojim zdravnikom. Delovanje električne opreme v bližini srčnega spodbujevalnika lahko povzroči motnje ali okvaro srčnega spodbujevalnika.

**⚠️ OPOZORILO:** Za zagotovitev varnosti in zanesljivosti mora vsa popravila izvesti usposobljen serviser.

## VARNOSTNI SIMBOLI

Namen varnostnih simbolov je, da pritegnejo vašo pozornost na morebitne nevarnosti. Varnostni simboli in njihova pojasnila si zaslužijo vašo pozornost in razumevanje. Opozorilni simboli sami ne odpravljajo nobene nevarnosti. Navodila in opozorila niso nadomestilo za ustrezne ukrepe za preprečevanje nesreč.

**⚠️ OPOZORILO:** Poskrbite, da boste pred uporabo orodja prebrali in razumeli vsa varnostna navodila v priročniku z navodili za uporabo, vključno z vsemi simboli za varnostna opozorila, kot so »NEVARNOST«, »OPOZORILO«, in »SVARILO«. Neupoštevanje spodaj navedenih navodil se lahko odrazi v električnem udaru, požaru in/ali resnih telesnih poškodbah.

## POMEN SIMBOLOV

**⚠️ SIMBOL VARNOSTNEGA OPOZORILO:** Nakazuje NEVARNOST, OPOZORILO ali SVARILO. Uporablja se lahko skupaj z drugimi simboli ali piktogrami.



**⚠️ OPOZORILO:** Delovanje katerega koli električnega orodja lahko povzroči metanje tujkov v vaše oči, kar lahko povzroči resne poškodbe očesa. Pred začetkom dela z električnim orodjem vedno nosite zaščitna očala ali varnostna očala s stranskimi zaščitami in kadar je treba tudi ščit za celoten obraz. Priporočamo vam uporabo varnostne maske Wide Vision Safety Mask za uporabo preko očal ali standardnih varnostnih očal s stransko zaščito.

## VARNOSTNA NAVODILA

Na tej strani so prikazani in opisani varnostni simboli, ki se lahko pojavijo na tem izdelku. Preberite, osvojite in sledite navodilom na stroju preden ga boste poskušali sestaviti in upravljati.

	Varnostno opozorilo	Označuje potencialno nevarnost telesnih poškodb.
	Preberite priročnik z navodili za uporabo	Za zmanjšanje nevarnosti poškodb je pomembno, da si uporabnik pred uporabo naprave prebere uporabniški priročnik.
	Nosite zaščito za oči	Pri upravljanju tega izdelka vedno nosite zaščitna očala ali varnostna očala s stransko zaščito in zaščito za celoten obraz.
	CE	Ta izdelek je v skladu z veljavnimi direktivami ES.
	Odpadna električna in elektronska oprema (OEEO)	Odpadnih električnih izdelkov se ne sme odlagati med gospodinske odpadke. Odnosite jih k pooblaščenemu izvajalcu postopka recikliranja.
	Ne izpostavljajte dežju	Naprave ne uporabljajte v dežju ali je puščajte zunaj, ko dežuje.
V	Volt	Napetost
mm	Milimeter	Dolžina ali velikost
cm	Centimeter	Dolžina ali velikost
in.	Palec	Dolžina ali velikost
kg	Kilogram	Teža
lb	Funt	Teža
	Enosmerni tok	Vrsta ali značilnost toka

SL

## SPLOŠNA VARNOSTNA OPOZORILA ZA ELEKTRIČNA ORODJA

**OPOZORILO:** preberite vsa varnostna opozorila in navodila. Zaradi neupoštevanja opozoril in navodil lahko pride do električnega udara, požara in/ali resnih poškodb.

**Shranite vsa opozorila in navodila za bodočo referenco.**

Izraz »električno orodje« v opozorilih se nanaša na orodja, ki jih poganja električni tok (žična) in se napajajo iz električnega omrežja, ali na akumulatorska (brežžična) orodja.

## VARNOST DELOVNEGA OBMOČJA

- Delovno območje naj bo čisto in dobro osvetljeno. V neurejenih in temnih območjih se rade zgodijo nesreče.
- Električnega orodja ne upravljajte v eksplozivnih atmosferah, kot npr. ob prisotnosti vnetljivih tekočin, goriva ali prahu. Električno orodje ustvarja iskre, ki lahko zanetijo prah ali hlape.
- Med uporabo električnega orodja v bližini ne pustite otrok in drugih ljudi. Zaradi motenj pozornosti lahko izgubite nadzor.

## ELEKTRIČNA VARNOST

- Vtiči električnih orodij se morajo prilegati vtičnicam. Vtiča ne smete nikoli spreminjati na kakršen koli način. Z ozemljenimi električnimi orodji ne uporabljajte adapterjev. Nespremenjeni vtiči in pripadajoče vtičnice bodo zmanjšali tveganje električnega udara.
- Izogibajte se telesnemu stiku z ozemljenimi površinami, kot so cevi, radiatorji, štedilniki in hladilniki. Če je vaše telo ozemljeno, obstaja povečano tveganje električnega udara.
- Električnih orodij ne izpostavljajte dežju ali vlažnim pogojem. Voda v električnem orodju znatno poveča tveganje električnega udara.
- Kabla ne uporabljajte za neustrezne namene. Kabla nikoli ne uporabljajte za nošenje, vlečenje ali odklapljanje električnega orodja. Kabel hranite stran od vročine, olja, ostrih robov ali premikajočih se delov. Poškodovani ali zapleteni kabli zvišujejo tveganje električnega udara.
- Med zunanjo uporabo električnega orodja uporabljajte podaljšek, ki je primeren za zunanjo uporabo. Uporaba kabla, primerne za zunanjo uporabo, znižuje tveganje električnega udara.
- Če je uporaba električnega orodja na vlažnem mestu neizogibna, uporabite stikalo za prekinitve napajanja pri najmanjšem okvarnem toku. Uporaba stikala bo zmanjšala nevarnost električnega udara.

SL

## OSEBNA VARNOST

- Med uporabo električnega orodja bodite pozorni, spremljajte potek dela in uporabljajte zdrav razum. Električnega orodja ne uporabljajte, če ste utrujeni ali pod vplivom drog, alkohola ali zdravil. Trenutek nepazljivosti med uporabo električnega orodja lahko privede do resnih telesnih poškodb.
- Uporabljajte osebno varovalno opremo. Vedno nosite zaščitno opremo. Če v različnih okoliščinah nosite ustrezno zaščitno opremo, npr. masko proti prahu, obutev z nedrsečim podplatom, trdno pokrivalo glave ali zaščito za sluh, zmanjšate možnost telesnih poškodb.
- Preprečite neželen zagon. Pred priklopom napajanja in/ali baterijskega sklopa, pred dvigovanjem ali nošenjem orodja se prepričajte, da je stikalo v položaju za izklop. Prenašanje električnih orodij s prstom na stikalu ali dovajanje napajanja električnim orodjem, pri katerih je stikalo v položaju za vklop, poveča tveganje nesreče.
- Pred vklopom električnega orodja odstranite morebitne prilagojevalne ključe ali izvijače. Izvijač ali ključ, ki je pritrjen na vrtljivi del električnega orodja, lahko povzroči telesne poškodbe.
- Ne segajte preko doseg. Pazite, da stojite stabilno in da ohranjate ravnotežje. To omogoča boljši nadzor nad električnim orodjem v nepričakovanih situacijah.
- Bodite primerno oblečeni. Ne nosite ohlapnih oblačil ali nakita. Pazite, da lasje, oblačila in rokavice ne pridejo v bližino gibljivih delov. Ohlapna oblačila, nakit ali dolgi lasje se lahko zapletejo v gibljive dele.
- Če imate na voljo naprave za sesanje in zbiranje prahu, preverite, ali so priključene in ali se ustrezno uporabljajo. Uporaba naprav za odstranjevanje prahu lahko zmanjša nevarnosti, povezane s prahom.

## UPORABA IN NEGA ELEKTRIČNEGA ORODJA

- Električnega orodja ne preobremenjujte. Uporabite električno orodje, ki ustreza vašemu delu. Ustrezno električno orodje bo nalogo opravilo bolje in varneje pri zmogljivosti, za katero je bilo zasnovano.
- Ne uporabljajte električnega orodja, če ga stikalo ne vklopi ali izklopi. Kakršno koli električno orodje, ki ga ni mogoče nadzirati s stikalom, je nevarno in ga je potrebno popraviti.
- Odklopite vtič iz vira napajanja in/ali baterije, preden opravite kakršne koli prilagoditve, menjate dodatke ali shranjujete električno orodje. Tovrstni preventivni varnostni ukrepi zmanjšujejo tveganje naključnega zagona električnega orodja.

- Električna orodja, ki niso v uporabi, shranjujte izven dosega otrok in ne dovolite, da bi električno orodje uporabljale osebe, ki niso seznanjene z električnim orodjem ali s temi navodili. Električna orodja so v rokah neusposobljenih uporabnikov nevarna.
- Električna orodja redno vzdržujte. Preverite, ali so gibljivi deli morda napačno pritrjeni ali poškodovani, oz. ali obstaja kakršno koli drugo stanje, ki bi lahko vplivalo na delovanje električnega orodja. Če je električno orodje poškodovano, ga pred ponovno uporabo dajte v popravilo. Mnogo nesreč se pripeti zaradi slabo vzdrževanih električnih orodij.
- Rezalna orodja naj bodo vedno nabrušena in čista. Pravilno vzdrževana rezalna orodja z ostrimi rezili se težje zaskočijo in jih je lažje nadzirati.
- Električno orodje, dodatke in dele orodja itd. uporabljajte v skladu s temi navodili, pri tem pa upoštevajte delovne pogoje in delo, ki ga boste opravljali. Če boste električno orodje uporabljali za neustrezne namene, lahko pride do nevarnih situacij.
- To 56-voltno pogonsko enoto PH1400E lahko uporabljate samo z naslednjimi priključki EGO:

TIP PRIKLJUČKA	ŠTEVILKA MODELA
Obrezovalnik robov	EA0800
Motorna kosa	BCA1200
Kosilnica z nitko	STA1500
Višinski obrezovalnik	PSA1000
Teleskopski obrezovalnik žive meje	HTA2000

## UPORABA IN VZDRŽEVANJE BATERIJSKEGA ORODJA

- Baterijo polnite le s polnilnikom, ki ga določa proizvajalec. Polnilnik, ki ustreza eni vrsti baterij, morda lahko povzroči požar, če z njim polnite drugo vrsto baterij.
- Električna orodja uporabljajte samo s predpisanimi vrstami baterij, ki so navedene spodaj. Uporaba katerih koli drugih baterij lahko povzroči tveganje poškodb in požara.

BATERIJSKI SKLOP	POLNILNIK
BA1120E, BA2240E, BA2800, BA3360, BA4200 (BA3360 in BA4200 nista primerna, če sta opremljena s priključkom z obrezovalnikom grmičevja)	CH5500E, CH2100E

- Ko baterijski sklop ni v uporabi, ga hranite ločeno od kovinskih predmetov, kot so sponke za papir, kovanci, ključji, želblji, vijaki ali drugi majhni kovinski predmeti, ki lahko povzročijo stik med enim in drugim terminalom. Kratak stik med terminali baterije lahko povzroči opekline ali požar.
- Ob zlorabi baterije lahko iz nje steče tekočina. Če se naključno dotaknete tekočine, mesto dotika sperite z vodo. Če pride tekočina v stik z očmi, poiščite zdravstveno pomoč. Tekočina, ki izteče iz baterije, lahko povzroči draženje ali opekline.

## SERVIS

- Električno orodje naj servisira kvalificirano servisno osebje, ki uporablja le enake nadomestne dele. To bo zagotovilo ohranjanje varnosti električnega orodja.
- Če pride do situacij, ki niso zajete v tem priročniku, bodite pazljivi in uporabite dobro presojo. Za pomoč stopite v stik servisnim centrom EGO.

## TA NAVODILA SHRANITE

### DODATNA SPECIFIČNA VARNOSTNA PRAVILA NAJDETE V PRIROČNIKU Z NAVODILI USTREZNEGA PRIKLJUČKA

## TEHNIČNI PODATKI

Napetost	56 V ---
Teža (baterijskega sklopa)	2,73 kg

## SEZNAM PAKIRANJA

IME DELA	KOLIČINA
Pogonska enota	1
Nastavljiv sprednji ročaj za prijem	1
Ramenski pas	1
Priročnik z navodili za uporabo	1

SL

## OPIS

### SPozNAJTE SVOJO POGONSKO ENOTO (slika A)

1. Odprtina za izhod zraka
2. Dovod zraka
3. Zadnji ročaj
4. Gumb za odklepanje
5. Stikalo za preklon hitrosti
6. Mejni obroč
7. Nastavljiv sprednji ročaj za prijem
8. Spojnik
9. Gumb za sprostitev gredi
10. Krilni vijak
11. Pregradni drog
12. Sprožilec
13. Gumb za sprostitev baterije
14. Zaščitna gumijasta blazinica
15. Zaklep
16. Električni kontakti
17. Mehanizem za izmet
18. Naramnica (poseben dodatek)

## SESTAVA

**⚠ OPOZORILO:** Če so deli poškodovani ali manjkajo, izdelek ne uporabljajte, dokler deli niso zamenjani. Če ta izdelek uporabljate s poškodovanimi ali manjkajočimi deli, se lahko resno poškodujete.

**⚠ OPOZORILO:** pri nameščanju delov, opravljanju prilagoditev, čiščenju ali kadar izdelek ni v uporabi vedno odstranite baterijski sklop.

SL

### NAMEŠČANJE PRIKLJUČKA NA POGONSKO ENOTO

**⚠ OPOZORILO:** prebrati in razumeti morate celoten priročnik z navodili ter upoštevati vsa opozorila in navodila za vsak izbirni priključek, ki ga uporabite s to pogonsko enoto. Zaradi neupoštevanja navodil lahko pride do električnega udara, požara in/ali resnih telesnih poškodb.

**⚠ OPOZORILO:** ta 56-voltna pogonska enota PH1400E je zasnovana za uporabo samo z modeli priključkov EGO, ki so navedeni v tem priročniku z navodili ali navodili, ki jih je podjetje EGO objavilo naknadno. Uporaba drugih nepooblaščenih priključkov lahko povzroči hude telesne poškodbe ali materialno škodo.

**⚠ OPOZORILO:** nikoli ne nameščajte, odstranjujte ali prilagajajte priključkov, če pogonska enota deluje oz. je nameščena baterija. Če ne zaustavite motorja in odstranite baterije, lahko pride do hudih telesnih poškodb. **POGONSKE ENOTE NIKOLI NE UPORABLJAJTE BREZ PRIKLJUČKA.**

Priključek je priključen na pogonsko enoto s pomočjo spojnika.

1. Ustavite motor in odstranite baterijski sklop.
2. Odvijte krilni vijak.
3. Pokrovček odstranite s priključka. Poravnajte puščico na priključni gredi s puščico na spojniku in potiskajte priključno gred v spojnik, dokler ne zaslišite jasnega »klik«, ki pomeni, da je priključna gred na svojem mestu (slika B).

Slika B: za opis delov glejte spodaj:

B-1	Priključna gred	B-4	Puščica na spojniku
B-2	Puščica na priključni gredi	B-5	Gumb za sprostitev gredi
B-3	Krilni vijak	B-6	Gred pogonske enote

4. Povlecite gred priključka, da se prepričate, ali je čvrsto nameščena v spojniku. Če ni, jo v spojniku obračajte z ene strani na drugo, dokler se ne zaskoči.
5. Čvrsto privijte krilni vijak.

**⚠ OPOZORILO:** pred uporabo opreme preverite, ali je krilni vijak povsem privit. Med uporabo opreme redno preverjajte, ali je vijak dovolj privit, da preprečite hude telesne poškodbe.

### ODSTRANJEVANJE PRIKLJUČKA S POGONSKE ENOTE

1. Ustavite motor in odstranite baterijski sklop.
2. Odvijte krilni vijak.
3. Pritisnite gumb za sprostitev gredi, in ko je gumb pritisnjen, izvlecite priključek iz spojnika.

### MONTAŽA IN PRILAGAJANJE SPREDNJEGA ROČAJA ZA PRIJEM

1. Ustavite motor in odstranite baterijski sklop, če je nameščen.
2. Odvijte krilni vijak, da odstranite nastavljiv sprednji ročaj za prijem (slika C).



Slika C: za opis delov glejte spodaj:

C-1	Zaklepni zatič	C-3	Nastavljiv sprednji ročaj za prijem s pregradnim drogom
C-2	Pritrdilni blok	C-4	Krilna matica

- Nastavljiv sprednji ročaj za prijem potisnite na gred med mejni obroč in spojnik (slika D).
- Vstavite pritrdilni blok v režo ročaja (slika E).
- Namestite zaklepni zatič in ga privijte s krilno matico. Preverite, ali je nastavljiv sprednji ročaj za prijem obrnjen navzgor v smeri zgornjega dela zadnjega ročaja (slika F).
- Nastavljiv sprednji ročaj za prijem namestite med mejni obroč in spojnik, da se prepričate, da je vaša sprednja roka med delom iztegnjena (slika G).

Slika G: za opis delov glejte spodaj:

G-1	Puščica	G-2	Omejitveno območje
-----	---------	-----	--------------------

- In nato zaklenite vzvod zaklepnega zatiča (slika H).

**⚠ OPOZORILO:** orodja nikoli ne upravljajte, če nastavljiv sprednji ročaj za prijem ni trdno nameščen.

**⚠ OPOZORILO:** med mejni obroč in spojnik namestite samo nastavljiv sprednji ročaj za prijem.

### NAMEŠČANJE RAMENSKEGA PASU

Pritisnite kavelj pasu, da ga odprete, in ga pričvrstite na držalo ramenskega pasu na pogonski enoti (slika I).

## DELOVANJE

**⚠ OPOZORILO:** Četudi se dodobra seznanite s tem izdelkom, pri rokovanju z njim ne postanite neprevidni. Pomnite, da je brezskrbni delec sekunde dovolj za resno poškodbo.

**⚠ OPOZORILO:** vedno nosite zaščito za oči. Če tega ne storite, vam lahko v oči priletijo predmeti ali pride do drugih hudih poškodb.

**⚠ OPOZORILO:** ne uporabljate priključkov ali dodatkov, ki jih proizvajalec tega izdelka ne priporoča. Uporaba priključkov ali dodatkov, ki niso priporočeni, lahko privede do hudih telesnih poškodb.

**⚠ OPOZORILO: POGONSKE ENOTE NIKOLI NE UPORABLJAJTE BREZ PRIKLJUČKA.**

## NAMEŠČANJE/ODSTRANJEVANJE BATERIJSKEGA SKLOPA

**OPOMBA:** pred prvo uporabo popolnoma napolnite baterijski sklop.

### Namestitev

Rebra baterije poravnajte z režami za namestitev in baterijski sklop potisnite navzdol, da zaslišite »klik« (slika J).

Slika J: za opis delov glejte spodaj:

J-1	Reža za namestitev
J-2	Rebro

### Odstranitev

Pritisnite gumb za sprostitev baterije in izvlecite baterijski sklop (slika K).

**OPOZORILO:** med prenašanjem ali transportom orodja vedno odstranite baterijski sklop in se z rokami ne približujte gumbu za odklepanje in sprožilcu, da se izognete hudim telesnim poškodbam.

## ZAGON/ZAUSTEVITEV POGONSKE ENOTE (slika L)

### Zagon

Pritisnite in pridržite gumb za odklepanje. Pritisnite sprožilec, da vklopite pogonsko enoto. Z močjo pritiska na sprožilec lahko spreminjate hitrost vrtenja pogonske enote. Močnejši pritisk pomeni višjo hitrost.

### Zaustavitev

Spustite sprožilec.

**OPOMBA: Motor teče le, kadar pritisnete na vzvod za odklepanje in sprožilec.**

### Funkcija prilagoditve hitrosti (slika L)

Pogonska enota ima dve hitrosti. Položaj »1« je za nizko hitrost, položaj »2« pa za visoko hitrost. Potisnite ali povlecite stikalo za nastavljanje hitrosti, da izberete ustrezno hitrost delovanja.

Slika L: za opis delov glejte spodaj:

L-1	Stikalo za nastavljanje hitrosti
L-2	Gumb za odklepanje
L-3	Sprožilec

SL

## VZDRŽEVANJE

**⚠ OPOZORILO:** Pred pregledom, čiščenjem ali popravilom enote zaustavite motor, počakajte, da se zaustavijo vsi premikajoči se deli in odstranite baterijski sklop. Neupoštevanje teh navodil lahko povzroči hude telesne poškodbe ali materialno škodo.

**⚠ OPOZORILO:** Pri servisiranju uporabljajte le identične nadomestne dele. Uporaba drugih delov je tvegana in lahko povzroči škodo na izdelku. Za zagotovitev varnosti in zanesljivosti mora vsa popravila izvesti usposobljen serviser.

**OPOMBA:** pred vsako uporabo celoten izdelek preverite glede poškodovanih, manjkajočih ali odvitih delov, kot so vijaki, maticе, pokrovčki itd. Dobro privijte vsa zapenjala in pokrovčke ter izdelka ne uporabljajte, dokler manjkajoči ali poškodovani del ni nameščen. Obrnite se na službo za pomoč strankam ali kvalificiranega serviserja.

### SPLOŠNO VZDRŽEVANJE

Pri čiščenju plastičnih delov se izogibajte uporabi topil. Večina vrst plastike se lahko pri uporabi različnih komercialnih topil poškoduje. Za odstranjevanje prahu, umazanije, olja, masti itd. uporabite čiste krpe.

### ČIŠČENJE POGONSKE ENOTE

1. Ustavite motor in odstranite baterijski sklop.
2. Očistite umazanijo in ostanke s pogonske enote z vlažno krpo in blagim detergentom.

**OPOMBA:** za čiščenje plastičnega dela ročaja ne uporabljajte močnih čistilnih sredstev. Poškodujejo ga lahko določena aromatična olja, kot sta olje bora in limone.

### SKLADIŠČENJE POGONSKE ENOTE

1. Pred skladiščenjem pogonske enote odstranite baterijski sklop.
2. S pogonske enote odstranite vse tujke.
3. Skladiščite jo v suhem prostoru, ki je nedostopen otrokom.
4. Enote ne shranjujte v bližini korozivnih sredstev, kot so vrtnе kemikalije in soli za topljenje ledu.

SL

## Varovanje okolja



Električne opreme, polnilnika baterij in baterij/baterij, ki jih je mogoče polniti, ne odvrzite med gospodinjske odpadke!

V skladu z evropskim zakonom 2012/19/EU glede električne in elektronske opreme, ki ni več uporabna, in v skladu z evropskim zakonom 2006/66/EC glede pokvarjenih ali izrabljenih baterijskih sklopov/baterij, je treba baterije zbrati ločeno.

Če električne naprave odvržete na smetišča, lahko nevarne snovi pronicajo v podtalnico in tako pridejo v prehranjevalno verigo, s čimer ogrozijo vaše zdravje in dobro počutje.

## ODPRAVLJANJE TEŽAV

Oglejte si priročnik z navodili ustreznega priključka.

## GARANCIJA

### GARANCIJSKA POLITIKA DRUŽBE EGO

Za popolne pogoje garancijske politike družbe EGO obiščite spletno stran [egopowerplus.com](http://egopowerplus.com).

01/12/2016

## PERSKAITYKITE VISĄ INSTRUKCIJĄ!



**PERSKAITYKITE NAUDO JIMO INSTRUKCIJĄ**

**⚠ Liekamoji rizika!** Žmonės, kuriems implantuoti elektroniniai prietaisai, pvz., širdies stimulatoriai, prieš pradėdami naudoti šį gaminį turėtų pasikonsultuoti su savo gydytoju (-ais). Šalia širdies stimulatoriaus veikiant elektros įranga gali sukelti širdies stimulatoriaus veikimo trukdžius arba gedimą.

**⚠ ĮSPĖJIMAS:** Norint užtikrinti saugų ir patikimą gaminio naudojimą, visus remonto ir keitimo darbus turi atlikti kvalifikuotas techninės priežiūros specialistas.

## SAUGOS SIMBOLIAI

Šių simbolių paskirtis – atkreipti dėmesį į galimus pavojus. Gerai susipažinkite su saugos simboliais bei jų paaiškinimais ir juos išidėmėkite. Simbolių įspėjimai patys savaime negali apsaugoti nuo pavojų. Jais žymimi nurodymai ir įspėjimai neatstoja tinkamų nelaimingų atsitikimų prevencijos priemonių.

**⚠ ĮSPĖJIMAS:** Prieš pradėdami naudoti šį gaminį perskaitykite visus šioje naudojimo instrukcijoje pateiktus saugos nurodymus, taip pat susipažinkite su visais saugos įspėjamaisiais simboliais, tokiais kaip „**PAVOJUS**“, „**ĮSPĖJIMAS**“, ir „**PERSPĖJIMAS**“, ir įsitikinkite, kad juos supratote. Nesilaikant visų toliau išdėstytų nurodymų galima patirti elektros smūgį, sukelti gaisrą ir (arba) sunkiai susižeisti.

## SIMBOLIO REIKŠMĖ

**⚠ SAUGOS ĮSPĖJAMASIS SIMBOLIS:** nurodo **PAVOJŲ**, **ĮSPĖJIMĄ**, arba **PERSPĖJIMĄ**. Gali būti panaudotas su kitais simboliais arba piktogramomis.



**⚠ ĮSPĖJIMAS:** Naudojant bet kokius elektros prietaisus gali būti išsviesti ir pataikyti į akis pašaliniai objektai, galintys sunkiai sužeisti akis. Prieš pradėdami naudoti elektros prietaisą, visada užsidėkite apsauginius akinius arba apsauginius akinius su šonine apsauga ir, kai reikia, visą veidą dengiantį skydelį. Rekomenduojame naudoti platų matymo lauką užtikrinančią apsauginę kaukę ant akinių arba standartinius apsauginius akinius su šonine apsauga.

## SAUGOS NURODYMAI

Šiame puslapyje pavaizduoti ir aprašyti saugos simboliai, kurių gali būti ant šio gaminio. Prieš pradėdami surinkti ir naudoti prietaisą, perskaitykite visus ant jo pateiktus nurodymus, įsitikinkite, kad juos supratote, ir jais vadovaukitės.

	Saugos įspėjimas	Nurodo galimą sužalojimo pavojų.
	Perskaitykite naudojimo instrukciją	Kad sumažintų pavojų susižaloti, naudotojas turi perskaityti naudojimo instrukciją ir įsitikinti, kad ją suprato.
	Dėvėkite akių apsaugos priemones	Naudodami šį gaminį visada užsidėkite apsauginius akinius arba apsauginius akinius su šonine apsauga ir visą veidą dengiantį skydelį.
	CE	Šis gaminys atitinka taikomas EB direktyvas.
	WEEE	Elektros prietaisų atliekas draudžiama utilizuoti kartu su buitinėmis atliekomis. Perduoti įgiotam perdirbėjui.
	Nenaudokite lyjant lietuvi	Nedirbkite su žoliapjove lyjant lietuvi, taip pat nepalikite lauke, kai lyja.
V	Voltas	Įtampa
mm	Milimetras	Ilgis arba dydis
cm	Centimetras	Ilgis arba dydis
in.	Colis	Ilgis arba dydis
kg	Kilogramas	Svoris
lb	Svaras	Svoris
	Nuolatinė elektros srovė	Srovės tipas arba charakteristika

## BENDRIEJI ELEKTRINIO ĮRANKIO SAUGOS NURODYMAI

**ĮSPĖJIMAS.** Perskaitykite visus saugos įspėjimus ir instrukcijas. Nesilaikant visų toliau pateiktų įspėjimų ir nurodymų, galima patirti elektros smūgį, sukelti gaisrą ir (arba) sunkiai susižaloti.

LT

Išsaugokite visus įspėjimus ir nurodymus, kad prirėkūs galėtumėte pasižiūrėti.

Įspėjimuose vartojamu terminu „elektrinis įrankis“ nurodomas iš elektros lizdo maitinamas (laidinis) arba akumulatoriumi maitinamas (akumulatorinis) elektrinis įrankis.

## DARBO VIETOS SAUGA

- Darbo vieta turi būti švari ir gerai apšviesta. Jei darbo vieta netvarkinga ar blogai apšviesta, gali įvykti nelaimingas atsitikimas.
- Nedirbkite su elektriniais įrankiais sprogoje aplinkoje, pvz., ten, kur yra degių skystių, benzino arba dulkių. Elektriniai įrankiai kibirkščiuoja, o kibirkštys gali uždegti dulkes arba garus.
- Dirbdami su elektriniu įrankiu, liepkite vaikams ir pašaliniais asmenims būti atokiau. Dėl dėmesio blaškymo galite nesuvaldyti įrankio.

## ELEKTROS SAUGA

- Elektrinio įrankio kištukas turi tikti elektros lizdui. Niekada jokiu būdu nemodifikuokite kištuko. Įžemintiems elektriniams įrankiams nenaudokite jokių kištukų adapterių. Originalūs kištukai, tiksliai tinkantys elektros tinklo lizdui, sumažina elektros smūgio pavojų.
- Venkite kūno kontakto su žemintais paviršiais, tokiais kaip vamzdžiai, šildytuvai, viryklės ir šaldytuvai. Jei jūsų kūnas bus žemintas, padidės elektros smūgio pavojus.
- Saugokite elektrinius įrankius nuo lietaus ir drėgmės. Į elektrinio įrankio vidų patekus vandens padidėja elektros smūgio pavojus.
- Nenaudokite netinkamai laido. Neneškite ir netempkite elektrinio įrankio paėmę už laido, netraukite už laido, norėdami ištraukti kištuką iš lizdo. Laidą nutieskite taip, kad jo neveiktų karštis, jis neišsitemptų alyva ir jo nepažeistų aštrios detalės ar judančios prietaiso dalys. Pažeidus arba supainiojus laidus kyla didesnė rizika patirti elektros smūgį.
- Naudodamiesi elektriniu įrankiu lauke, naudokite laukui skirtą laido ilgintuvą. Naudojantis laukui skirtu laidu sumažėja rizika patirti elektros smūgį.
- Jei nėra galimybės išvengti elektrinio įrankio naudojimo drėgnoje vietoje, naudokite maitinimo šaltinį, apsaugotą nuotėkio rele. Nuotėkio relė sumažina pavojų patirti elektros smūgį.

LT

## ASMENINĖ SAUGA

- Dirbdami su elektriniu įrankiu, būkite budrus, stebėkite, ką darote, ir vadovaukitės sveika nuovoka. Nedirbkite su elektriniu įrankiu, jei esate pavargę, apsvaigę nuo narkotinių medžiagų, alkoholio arba vaistų. Neatidumo akimirka dirbant su elektriniu įrankiu gali lemti sunkią traumą.
  - Naudokite asmenines apsaugos priemones. Visada būkite su apsauginiais akiniais. Tinkamomis sąlygomis naudojamos apsaugos priemonės, pvz., respiratorius, neslidūs apsauginiai batai, šalmas arba ausinės, sumažina pavojų susižaloti.
  - Saugokitės atsitiktinio paleidimo. Prieš jungdami prie maitinimo šaltinio ir (arba) akumulatoriaus, prieš pakeldami arba nešdami įrankį, išitinkinkite, kad jungiklis yra išjungimo padėtyje. Nešant elektrinius įrankius uždėjęs pirštą ant jungiklio arba prijungiant elektrinių įrankių maitinimą, kai jungiklis įjungtas, gali įvykti nelaimingas atsitikimas.
  - Prieš įjungdami elektrinį įrankį, patraukite šalin visus reguliavimo raktus ir veržliaraktčius. Palikęs veržliaraktį arba raktą uždėtą ant sukamosios elektrinio įrankio dalies, galima susižaloti.
  - Nepraraskite pusiausvyros. Visada stovėkite tvirtai ir išlaikykite pusiausvyrą. Tuomet geriau suvaldysite elektrinį įrankį netikėtose situacijose.
  - Tinkamai apsirenkite. Nedėvėkite laisvų drabužių ir nenešiokite laisvai kabančių papuošalų. Plaukus, drabužius ir pirštines laikykite toliau nuo judamųjų dalių. Judamosios dalys gali įtraukti laisvus drabužius, papuošalus arba ilgus plaukus.
  - Jei yra įtaisai, skirti dulkių išsiurbimo ir surinkimo įrenginiams prijungti, tinkamai prijunkite ir naudokite tuos įrenginius. Naudojant dulkių surinkimo įrenginius, gali sumažėti su dulkelėmis susijusių pavojų.
- ## ELEKTRINIO ĮRANKIO NAUDOJIMAS IR PRIEŽIŪRA
- Nesudarykite per didelės apkrovos elektriniam įrankiui. Naudokite atliekamam darbui tinkamą elektrinį įrankį. Veikdamas numatytoju greičiu, tinkamas elektrinis įrankis darba atlieka veiksmingiau ir saugiau.
  - Nenaudokite elektrinio įrankio, jei jungiklis jo neįjungia arba neišjungia. Bet koks elektrinis įrankis, kurio jungiklis neveikia, yra pavojingas, tad jį būtina sutaisyti.
  - Prieš reguliuodami elektrinį įrankį, keisdami jo priedus arba padėdami jį į laikymo vietą, atjunkite kištuką nuo maitinimo šaltinio ir (arba) akumulatorių nuo įrankio. Tokios prevencinės saugos priemonės sumažina pavojų atsitiktinai įjungti elektrinį įrankį.

- Nenaudojamus elektrinius įrankius laikykite vaikams nepasiekiamoje vietoje. Su elektriniu įrankiu neleiskite dirbti asmenims, nesusipažinusiems su įrankiu arba šia instrukcija. Neišmokytų naudotojų naudojami elektriniai įrankiai kelia pavojų.
- Prižiūrėkite elektrinius įrankius. Patikrinkite, ar judamosios dalys sulygiuotos ir nestringa, ar nėra lūžusių dalių ir kitų sąlygų, galinčių turėti įtakos elektrinio įrankio veikimui. Jei elektrinis įrankis sugedęs, prieš naudodami jį sutaisykite. Dauguma nelaimingų atsitikimų įvyksta dėl prastai prižiūrimų elektrinių įrankių.
- Prižiūrėkite, kad pjovimo įrankiai būtų aštrūs ir švarūs. Tinkamai prižiūrimi pjovimo įrankiai su aštriais ašmenimis rečiau stringa ir lengviau valdomi.
- Elektrinį įrankį, priedus, antgalius ir kitas dalis naudokite pagal šią instrukciją, atsižvelgdami į darbo sąlygas ir atliekamą darbą. Elektrinį įrankį naudojant ne pagal numatytąją paskirtį, gali susidaryti pavojinga situacija.
- 56 V ličio jonų elektrinę galvutę PH1400E galima naudoti su tik šiais EGO įtaisais:

ĮTAISO TIPAS	MODELIO NUMERIS
Kraštų pjoviklis	EA0800
Krūmapjovė	BCA1200
Žoliapjovė	STA1500
Aukštuminis pjūklas	PSA1000
Aukštuminės gyvatvorių žirklės	HTA2000

## BATERIJŲ NAUDOJIMAS IR PRIEŽIŪRA

- Pakartotinai kraukite tik naudodami gamintojo nurodytą įkroviklį. Naudojant kitam akumuliatoriaus tipui tinkamą įkroviklį gali kilti gaisro rizika.
- Elektrinius įrankius naudokite tik su jiems skirtomis toliau išvardytomis sudėtinėmis baterijomis. Naudojant kitokias sudėtines baterijas gali kilti sužalojimų ir gaisro pavojus.

BATERIJA	ĮKROVIKLIS
BA1120E, BA2240E, BA2800, BA3360, BA4200 (BA3360 ir BA4200 netinka, jeigu sumontuotas krūmapjovės priedas)	CH5500E, CH2100E

- Nenaudojama sudėtinė baterija turi būti laikoma atokiau nuo metalinių objektų, tokių kaip sąvaržėlės, monetos, raktai, vinys, varžtai ar kiti metaliniai objektai, galintys sujungti abu baterijos gnybtus. Įvykus trumpajam jungimui tarp baterijos gnybtų, galima nusideginti arba gali kilti gaisras.

- Dėl netinkamų sąlygų iš akumuliatoriaus gali ištėkėti skystis – nelieskite jo. Atsitiktinai patekus ant odos, iškart nuplaukite vandeniu. Jeigu skystis pateko į akis, papildomai kreipkitės pagalbos į gydytojus. Iš akumuliatoriaus ištėkęs skystis gali dirginti arba nudeginti.

## TECHNINĖ PRIEŽIŪRA

- Užtikrinkite, kad elektrinio įrankio techninės priežiūros darbus atliktų kvalifikuotas remonto meistras ir kad būtų naudojamos tik identiškos atsarginės dalys. Tuomet elektrinis įrankis išliks saugus.
- Susidariusi šioje instrukcijoje neaprašyti situacijai, būkite atsargūs ir vadovaukitės sveika nuovoka. Pagalbos kreipkitės į EGO techninės priežiūros centrą.

## IŠSAUGOKITE ŠIAS INSTRUKCIJAS!

## PAPILDOMAS SAUGOS TAISYKLES GALITE RASTI NAUDOJAMO ĮTAISO NAUDOJIMO INSTRUKCIJOJE

## TECHNINIAI DUOMENYS

Įtampa	56 V
Svoris (be sudėtinės baterijos)	2,73 kg

## PAKUOTĖS TURINIO SĄRAŠAS

DALIES PAVADINIMAS	SKAIČIUS
Elektrinė galvutė	1
Reguliuojamoji priekinė pagalbinė rankena	1
Peties diržas	1
Naudojimo instrukcija	1

## APRAŠAS

### SUŽINOKITE, KAIP VEIKIA ELEKTRINĖ GALVUTĖ (A pav.)

1. Oro išėjimo anga
2. Oro įsiurbimo anga
3. Galinė rankena
4. Fiksavimo mygtukas
5. Didelio ir mažo greičio jungiklis
6. Tarpinis žiedas
7. Reguluojama priekinė pagalbinė rankena
8. Jungiamoji mova
9. Veleno atleidimo mygtukas
10. Sparnuotoji rankena
11. Užšovas
12. Gaidukas
13. Akumuliatoriaus atlaisvinimo mygtukas
14. Apsauginė guminė trinkelė
15. Fiksatorius
16. Elektros kontaktai
17. Išstūmimo mechanizmas
18. Dirželis per petį (specialus priedas)

### SURINKIMAS

**⚠️ ĮSPĖJIMAS:** jeigu bet kuri dalis yra sugadinta arba jos trūksta, nenaudokite šio įrenginio, kol ji nebus pakeista. Jeigu įrenginys naudojamas, kai dalys yra sugadintos arba jų trūksta, galima sunkiai susižeisti.

**⚠️ ĮSPĖJIMAS.** Montuojant gaminio dalis, atliekant jo pakeitimus, ji valant arba jenaudojant sudėtinę baterija visada turi būti išimta.

### ĮTAISO MONTAVIMAS ANT ELEKTRINĖS GALVUTĖS

**⚠️ ĮSPĖJIMAS.** Atidžiai perskaitykite ir išnagrinėkite kiekvieno papildomo įtaiso, naudojamo su elektrine galvute, naudojimo instrukciją, laikykitės visų įspėjimų ir nurodymų. Nesilaikant visų nurodymų galima patirti elektros smūgį, sukelti gaisrą ir (arba) sunkiai susižeisti.

**⚠️ ĮSPĖJIMAS.** Ši 56 V elektrinė galvutė PH1400E skirta naudoti tik su EGO įtaisų modeliais, nurodytais naudojimo instrukcijoje arba EGO rekomenduojamais naudoti su šia elektrine galvute. Naudodami kitus, nerekomenduojamus įtaisyms galite sunkiai susižeisti arba sugadinti turta.

**⚠️ ĮSPĖJIMAS.** Niekada nemontuokite, neišmontuokite ir nereguliuokite įtaisų, kol veikia elektrinė galvutė arba yra įdėta baterija. Nesustabdę variklio ir neišėmę baterijos galite sunkiai susižeisti. **NIEKADA NENAUDOKITE ELEKTRINĖS GALVUTĖS BE ĮTAISO.**

Įtaisą prie elektrinės galvutės galite prijungti naudodami jungiamąją movą.

1. Išjunkite variklį ir išimkite akumuliatorių.
2. Atsukite sparnuotąją rankeną.
3. Nuimkite nuo įtaiso kamštelį. Sulygiuokite ant įtaiso veleno esančią rodyklę su jungiamosios movos rodykle, tada įstumkite įtaiso veleną į jungiamąją movą, kol išgirsite spragtelėjimą, kuris reikš, kad įtaiso velenas patikimai užsifiksavo (B pav.).

Toliau pateiktas B pav. parodytų dalių aprašas.

B-1	Įtaiso velenas	B-4	Rodyklė ant jungiamosios movos
B-2	Rodyklė ant įtaiso veleno	B-5	Veleno atleidimo mygtukas
B-3	Sparnuotoji rankena	B-6	Elektrinės galvutės velenas

4. Truktelėkite įtaiso veleną, kad įsitikintumėte, jog jis patikimai užsifiksavo. Jei neužsifiksavo, pasukinėkite įtaiso veleną abiem kryptimis, kol jis užsifiksuos jungiamosioje movoje.
5. Tvirtai užveržkite sparnuotąją rankeną.

**⚠️ ĮSPĖJIMAS.** Prieš įjungdami prietaisą įsitikinkite, kad sparnuotoji rankena tvirtai užveržta. Naudodami reguliariai tikrinkite užveržimą, kad išvengtumėte sužalojimų.

### ĮTAISO NUĖMIMAS NUO ELEKTRINĖS GALVUTĖS

1. Išjunkite variklį ir išimkite akumuliatorių.
2. Atsukite sparnuotąją rankeną.
3. Paspauskite veleno atleidimo mygtuką, atleidę ištraukite arba išsukite įtaiso veleną iš jungiamosios movos.

### PRIEKINĖS PAGALBINĖS RANKENOS MONTAVIMAS IR REGULIAVIMAS

1. Išjunkite variklį ir išimkite akumuliatorių, jei įdėtas.
2. Atlaisvinkite sparnuotąją varželę, kad galėtumėte atjungti priekinę pagalbinę rankeną (C pav.).

LT

C pav. pateiktų dalių aprašas:

C-1	Užsukamoji fiksavimo rankena	C-3	Priekinė pagalbinė rankena su užšovu
C-2	Suspaudimo trinkelė	C-4	Sparnuotoji veržlė

- Užstumkite priekinę pagalbinę rankeną ant veleno tarp tarpinio žiedo ir jungiamosios movos (D pav.).
- Įdėkite suspaudimo trinkelę į rankenos angą (E pav.).
- Prijunkite užsukamąją fiksavimo rankeną, užveržkite sparnuotąją veržlę. Įsitikinkite, kad priekinė pagalbinė rankena nukreipta į galinės rankenos viršutinę dalį (F pav.).
- Sureguliuokite priekinę pagalbinę rankeną taip, kad ji būtų tarp tarpinio žiedo ir jungiamosios movos – taip užtikrinsite, kad dirbant (G pav.).

Toliau pateiktas G pav. parodytų dalių aprašas.

G-1	Rodyklė	G-2	Ribojimo diapazonas
-----	---------	-----	---------------------

- Jūsų priekinė ranka bus tiesi, tada užveržkite užsukamąją fiksavimo rankeną, (H pav.)

**⚠️ ĮSPĖJIMAS.** Niekada nenaudokite įrankio, kai jo priekinė pagalbinė rankena nėra tvirtai užfiksuota tinkamoje padėtyje.

**⚠️ ĮSPĖJIMAS.** Priekinę pagalbinę rankeną tvirtinkite tik tarp tarpinio žiedo ir jungiamosios movos.

## DIRŽO PER PETĮ MONTAVIMAS

Spausdami atidarykite diržo kablį ir prikabinkite prie elektrinės galvutės peties diržo pakabos (I pav.).

## NAUDOJIMAS

**⚠️ ĮSPĖJIMAS.** mokėjimas naudotis įrenginiu nesuteikia teisės dirbti nerūpestingai. Atsiminkite, kad trumpam atitraukę dėmesį galite sunkiai susižaloti.

**⚠️ ĮSPĖJIMAS.** Visada būkite su apsauginiais akiniais. Antraip išsviesti daiktai gali pataikyti į akis arba galite kitaip sunkiai susižaloti.

**⚠️ ĮSPĖJIMAS.** Nenaudokite priedų arba įtaisų, kurių nerekomendavo šio įrenginio gamintojas. Naudodami nerekomenduojamus priedus arba įtaisus galite sunkiai susižaloti.

**⚠️ ĮSPĖJIMAS. NIEKADA NENAUDOKITE ELEKTRINĖS GALVUTĖS BE ĮTAISO.**

## SUDĖTINĖS BATERIJOS ĮDĖJIMAS IR IŠĖJIMAS

**PASTABA.** Prieš naudodami akumuliatorių pirmą kartą jį visiškai įkraukite.

### Įdėjimas

Sulygiuokite akumuliatoriaus briauneles su tvirtinimo grioveliais ir spauskite akumuliatorių žemyn, kol išgirsite spragtelėjimą (J pav.).

Toliau pateiktas J pav. parodytų dalių aprašas.

J-1	Tvirtinimo griovelis
J-2	Briaunelė

### Išėjimas

Paspauskite akumuliatoriaus atlaisvinimo mygtuką ir ištraukite akumuliatorių (K pav.).

**ĮSPĖJIMAS.** Kad išvengtumėte rimtų sužalojimų, nešdami ar transportuodami įrankį visada išimkite akumuliatorių ir patraukite rankas nuo fiksavimo mygtuko ir trigerio.

## ELEKTRINĖS GALVUTĖS PALEIDIMAS IR SUSTABDYMAS (L pav.)

### Paleidžiant

Nuspauskite fiksavimo mygtuką ir laikykite jį toje padėtyje. Norėdami paleisti elektrinę galvutę, nuspauskite trigerį. Trigerį spaudžiant skirtingu stiprumu keičiasi elektrinės galvutės sukimosi greitis. Stipresnis paspaudimas – didesnis greitis.

### Stabdant

Atleiskite trigerį.

**PASTABA:** variklis veikia tik tada, kai fiksavimo svirtis ir gaidukas yra kartu nuspausti.

### Greičio reguliavimo funkcija (L pav.)

Elektrinė galvutė turi dvi greičio nuostatas. 1 padėtis – mažas greitis, 2 padėtis – didelis greitis. Norėdami darbo metu pasirinkti tinkamą greitį, stumkite arba traukite didelio ir mažo greičio jungiklį.

Toliau pateiktas L pav. parodytų dalių aprašas:

L-1	Didelio ir mažo greičio jungiklis
L-2	Fiksavimo mygtukas
L-3	Trigeris

LT

## TECHNINĖ PRIEŽIŪRA

**⚠️ ĮSPĖJIMAS.** Prieš atlikdami įrenginio patikrą, valymą ar techninę priežiūrą, sustabdykite variklį, palaukite, kol visos judančios dalys sustos, ir išimkite akumuliatorių. Nesilaikydami šių nurodymų galite sunkiai arba net mirtinai susižaloti arba sugadinti turta.

**⚠️ ĮSPĖJIMAS:** Atlikdami techninės priežiūros darbus, naudokite tik identiškas atsargines dalis. Įrenginį reguliariai apžiūrėkite ir tvarkykite. Norint užtikrinti saugų ir patikimą gaminio naudojimą visus remonto darbus turi atlikti kvalifikuotas techninės priežiūros specialistas.

**PASTABA.** Prieš kiekvieną naudojimą patikrinkite visą įrenginį – ar jis nesugedęs, ar netrūksta dalių arba jos nėra atsilaisvinusios (sraigčiai, varžlės, varžtai, dangteliai ir pan.). Priveržkite visus tvirtinimo elementus ir uždėkite dangtelius. Nenaudokite įrenginio, kol nebus sumontuotos trūkstantos arba pakeistos sugadintos dalys. Susisiekite su klientų aptarnavimo centru arba kvalifikuotu techninės priežiūros specialistu.

### BENDROJI TECHNINĖ PRIEŽIŪRA

Valydami plastikines dalis nenaudokite tirpiklių. Įvairūs komerciniai tirpikliai gali pažeisti daugelį plastikų ir neturėtų būti naudojami, nes gali sugadinti gaminį. Norėdami nuvalyti purvą, dulkes, tepalus, riebalus ir pan., naudokite švarias šluostes.

### ELEKTRINĖS GALVUTĖS VALYMAS

1. Išjunkite variklį ir išimkite akumuliatorių.
2. Drėgna šluoste ir švelniu plovikliu nuvalykite nuo elektrinės galvutės nešvarumus.

**PASTABA.** Plastikinėms korpuso arba rankenos dalims valyti nenaudokite jokių stiprių ploviklių. Kai kurios aromatinės alyvos (pušies arba citrinų kvapo) gali jas sugadinti.

### ELEKTRINĖS GALVUTĖS LAIKYMAS

1. Prieš padėdami, kai nenaudojate, išimkite iš elektrinės galvutės akumuliatorių.
2. Nuvalykite nuo elektrinės galvutės pašalines medžiagas.
3. Laikykite patalpoje, vaikams nepasiekiamoje vietoje.
4. Laikykite toliau nuo šaldančių medžiagų, pvz., sodo chemikalų ir ledo tirpymo druskų.

### Aplinkos apsauga



Neišmeskite elektros įrangos, akumulatoriaus (kroviklio ir baterijų / akumuliatorių su buitinėmis atliekomis!

Pagal Europos Parlamento ir Tarybos direktyvas 2012/19/EB ir 2006/66/EB nenaudojama elektros bei elektronikos įranga ir nenaudojami arba sugedę akumulatoriai ir (arba) baterijos turi būti surenkami atskirai.

Elektros prietaisus užkasus su atliekomis arba išmetus sąvartynuose, pavojingos medžiagos gali patekti į gruntinį vandenį ir į maisto grandinę, taip pakenkti jūsų sveikatai ir gerovei.

## TRIKČIŲ DIAGNOSTIKA IR JŲ ŠALINIMAS

Žr. atitinkamo įtaiso naudojimo instrukciją.

## GARANTIJA

### EGO GARANTINIS POLISAS

Norėdami sužinoti visas „EGO“ garantinio poliso sąlygas, apsilankykite interneto svetainėje [egopowerplus.com](http://egopowerplus.com).

01/12/2016



## IZLASIET VISUS NORĀDĪJUMUS!



### IZLASIET EKSPLOATĀCIJAS INSTRUKCIJU

**⚠ Atlikušā sprieguma apdraudējums!** Cilvēkiem, kuri izmanto elektroniskas ierīces, piemēram, elektrokardiosimulatorus, pirms šīs ierīces lietošanas jāsazinās ar savu ārstējošo ārstu. Elektroierīču darbība tuvu elektrokardiosimulatoram var izraisīt traucējumus vai tā atteici.

**⚠ BRĪDINĀJUMS.** Lai garantētu drošību un uzticamību, ierīces remontu un tās detaļu nomaiņu veikt drīkst tikai kvalificēts apkopes tehniķis.

## DROŠĪBAS APZĪMĒJUMI

Drošības apzīmējumu nolūks ir pievērst uzmanību iespējamiem apdraudējumiem. Drošības apzīmējumiem un to skaidrojumiem jāpievērš īpaša uzmanība, un tie pilnībā jāizprot. Apzīmējumu brīdinājumi paši par sevi nenovērš apdraudējumu. Apzīmējumos iekļautie norādījumi un brīdinājumi neaizstāj atbilstošus darba drošības pasākumus.

**⚠ BRĪDINĀJUMS.** Pirms šī darbarīka lietošanas noteikti izlasiet un izprotiet visus šajā lietošanas rokasgrāmatā iekļautos norādījumus, tostarp visus drošības brīdinājumu apzīmējumus, piemēram, „**BĪSTAMI**”, „**BRĪDINĀJUMS**” un „**UZMANĪBU!**”. Neievērojot tālāk uzskaitītos norādījumus, var rasties elektrotrauma, aizdegšanās un/vai smaga trauma.

## APZĪMĒJUMA NOZĪME

**⚠ DROŠĪBAS BRĪDINĀJUMA APZĪMĒJUMS:** Atbilst norādei **BĪSTAMI**, **BRĪDINĀJUMS** vai **UZMANĪBU!** Var tikt izmantots kopā ar citiem apzīmējumiem un piktogrammām.



**⚠ BRĪDINĀJUMS.** Mehānizēto darbarīku lietošanas laikā acis var iekļūt svešķermeņi, kas savukārt var radīt smagu acu traumu. Pirms mehānizētā darbarīka izmantošanas vienmēr uzlieciet aizsargbrilles vai aizsargbrilles ar sānu aizsargiem un pilnu sejas aizsargu (ja nepieciešams). Uz parastajām brillēm vai standarta aizsargbrillēm ar sānu aizsargiem ieteicams uzlikt plata skata leņķa drošības masku.

## DROŠĪBAS NORĀDĪJUMI

Šajā lappusē ir parādīti un aprakstīti drošības apzīmējumi, kas var atrasties uz izstrādājuma. Pirms ierīces salikšanas un lietošanas izlasiet, izprotiet un izpildiet visus norādījumus.

	Drošības brīdinājums	Norāda uz iespējamu ievainojumu gūšanas risku.
	Izlasiet lietošanas rokasgrāmatu	Lai mazinātu traumu rašanās bīstamību, pirms šī izstrādājuma lietošanas tā lietotājam jāizlasa un jāizprot lietošanas rokasgrāmatā.
	Izmantojiet acu aizsarglīdzekļus	Lietojot šo izstrādājumu, vienmēr izmantojiet aizsargbrilles vai aizsargbrilles ar sānu aizsargiem un pilnu sejas aizsargu.
	CE	Šis izstrādājums atbilst piemērojamajām Eiropas Komisijas (EK) direktīvām.
	EEIA	Elektriskos izstrādājumus nedrīkst utilizēt kopā ar sadzīves atkritumiem. Nogādājiet tos pilnvarotam atkritumu pārstrādātājam.
	Nepakļaujiet lietus iedarbībai	Nelietojiet ierīci lietū un neatstājiet to ārā lietus laikā.
V	Volti	Spriegums
mm	Milimetrs	Garums vai izmērs
cm	Centimetrs	Garums vai izmērs
in.	Colla	Garums vai izmērs
kg	Kilograms	Svars
lb	Mārciņa	Svars
	Līdzstrāva	Strāvas veids vai raksturlielumi

## VISPĀRĒJIE ELEKTROINSTRUMENTA DROŠĪBAS BRĪDINĀJUMI

**BRĪDINĀJUMS!** Izlasiet visus drošības brīdinājumus un norādījumus. Šo brīdinājumu un norādījumu neievērošana var izraisīt elektriskās strāvas triecienu, ugunsgrēku un/vai nopietnus ievainojumus.

**Saglabājiet visus brīdinājumus un norādījumus, lai tos arī turpmāk varētu lietot.**

Brīdinājumus lietotais termins „elektroinstruments” apzīmē šo no elektrotīkla darbināmo (ar elektrokabeļi) vai ar akumulatoru darbināmo (bez elektrokabeļa) elektroinstrumentu.

### DROŠĪBA DARBA VIETĀ

- **Uzturiet darba vietu tīru un labi apgaismotu.** Nekārtīgās un tumšās darba vietās ir lielāks negadījumu risks.
- **Nedarbiniet elektroinstrumentu sprādzienbīstamās vidēs, piemēram, viegli uzliesmojošu šķidrums, degvielas vai putekļu klātbūtnē.** Elektroinstrumenti rada dzirksteles, kas var aizdedzināt putekļus vai izgarojumu tvaikus.
- **Elektroinstrumenta darbināšanas laikā tā tuvumā nedrīkst atrasties bērni un citas personas.** Novēršot uzmanību, varat zaudēt kontroli pār instrumentu.

### ELEKTRODROŠĪBA

- **Elektroinstrumenta kontaktdakšām jāatbilst kontaktlīgzdai. Nekad nekādā veidā nepārveidojiet kontaktdakšu. Neizmantojiet adaptera kontaktdakšas kopā ar iezemētiem elektroinstrumentiem.** Lietojot nepārveidotas kontaktdakšas un atbilstošas kontaktlīgzdas tiek samazināts elektriskās strāvas triecienu risks.
- **Neļaujiet nevienai ķermeņa daļai saskarties ar iezemētām virsmām, piemēram, caurulēm, radiatoriem, sildītājiem un kondensatoriem.** Elektriskās strāvas triecienu risks palielinās, ja jūsu ķermenis ir iezemēts.
- **Sargājiet elektroinstrumentus no lietus vai mitruma.** Ūdens iekļūšana elektroinstrumentā palielina elektriskās strāvas triecienu risku.
- **Nebojājiet elektrokabeļi. Nekad neizmantojiet elektrokabeļi elektroinstrumenta nešanai, vilkšanai vai atvienošanai no elektrotīkla. Sargājiet elektrokabeļi no karstuma, eļļas, asām malām vai kustīgām daļām.** Bojāti vai sapinušies elektrokabeļi palielina elektriskās strāvas triecienu risku.

- **Darbinot elektroinstrumentu ārpus telpām, izmantojiet pagarinātāju, kas piemērots lietošanai ārpus telpām.** Izmantojot vadu, kas ir paredzēts lietošanai ārpus telpām, tiek samazināts elektriskās strāvas triecienu risks.
- **Ja nav iespējams izvairīties no elektroinstrumenta darbināšanas mitrā vietā, izmantojiet barošanas sistēmu, kas aizsargāta ar zemsplēguma ķēžu pārtraucēju (GFCI).** Zemsplēguma ķēžu pārtraucēja izmantošana samazina elektriskās strāvas triecienu risku.

### PERSONĪGĀ DROŠĪBA

- **Darbinot elektroinstrumentu, esiet modri, sekojiet līdzi savām darbībām un izmantojiet veselo saprātu. Nelietojiet elektroinstrumentu, ja esat noguruši vai atrodaties narkotiku, alkohola vai medikamentu ietekmē.** Ja elektroinstrumenta darbināšanas laikā kaut uz mirkli zaudēsiet uzmanību, varat gūt nopietnus ievainojumus.
- **Lietojiet individuālo aizsargaprīkojumu. Vienmēr lietojiet aizsargbrilles.** Tāda aizsargaprīkojuma kā putekļu maskas, neslīdošu aizsargapavu, cietas aizsargcēpures vai dzirdes aizsardzības līdzekļu lietošana var samazināt ievainojumu gūšanas risku.
- **Novērsiet nejaūšas ieslēgšanās iespējamību. Pirms instrumenta pievienošanas strāvas avotam un/vai akumulatora blokam pārliecinieties, ka slēdzis atrodas izslēgtā stāvoklī.** Elektroinstrumentu pārvietošana, turot pirkstu uz slēdža, vai strāvas padeve elektroinstrumentiem, kuru slēdzis atrodas ieslēgtā stāvoklī, palielina negadījumu risku.
- **Pirms elektroinstrumenta ieslēgšanas noņemiet visas regulēšanas atslēgas vai uzgriežņu atslēgas.** Uzgriežņu atslēga vai atslēga, kas palikusi piestiprināta pie elektroinstrumenta rotējošās daļas, var radīt ievainojumus.
- **Nestiepieties pārāk tālu. Vienmēr saglabājiet pareizu stāju un līdzsvaru.** Tādējādi nodrošināsit labāku kontroli pār elektroinstrumentu negaidītās situācijās.
- **Valkājiet atbilstošu apģērbu. Nevalkājiet vaļīgu apģērbu vai rotaslietas. Neļaujiet saviem matiem, apģērbam un cimdiem nonākt saskarē ar kustīgajām daļām.** Vaļīgs apģērbs, rotaslietas vai gari mati var iekļerties kustīgajās daļās.
- **Ja ierīces ir paredzētas savienošanai ar putekļu nosūkšanas un savākšanas ierīcēm, nodrošiniet, ka tās tiek pareizi pievienotas un izmantotas.** Putekļu savākšanas ierīču izmantošana var samazināt ar putekļiem saistītos apdraudējumus.

## ELEKTROINSTRUMENTA LIETOŠANA UN APKOPE

- **Nespiediet elektroinstrumentu ar spēku.** Lietojiet jūsu veicamajam uzdevumam piemērotāko elektroinstrumentu. Piemērots elektroinstruments labāk un drošāk spēs izpildīt veicamo darbu, darbojoties tam paredzētajā ātrumā.
- **Nelietojiet elektroinstrumentu, ja nedarbojas tā ieslēgšanas/izslēgšanas slēdzis.** Jebkurš elektroinstruments, kura ieslēgšanas/izslēgšanas slēdzis nedarbojas, ir bīstams, un to nepieciešams labot.
- **Pirms jebkādu pielāgojumu veikšanas, piederumu maiņas vai elektroinstrumenta novietošanas glabāšanā atvienojiet kontaktdakšu no barošanas avota un/vai izņemiet no elektroinstrumenta akumulatora bloku.** Šādi profilaktiski drošības pasākumu palīdz samazināt elektroinstrumenta nejaušas ieslēgšanas risku.
- **Glabājiet izslēgtus elektroinstrumentus bērniem nepieejamā vietā un neļaujiet personām, kuras nepārzina elektroinstrumenta funkcijas un nav iepazinušas ar šiem norādījumiem, tos lietot.** Elektroinstrumenti ir bīstami, ja ar tiem darbojas neapmācīti lietotāji.
- **Uzturiet elektroinstrumentus darba kārtībā.** Pārbaudiet, vai kustīgās daļas nav novirzījušās un to savienojumi ir kārtībā, vai daļas nav bojātas, kā arī vai nav parādījušies jebkādi citi apstākļi, kas varētu ietekmēt elektroinstrumenta darbību. Ja konstatējat bojājumus, pirms lietošanas salabojiet elektroinstrumentu. Daudzu negadījumu cēlonis ir sliktā stāvoklī esošu elektroinstrumentu izmantošana.
- **Uzturiet griezējinstrumentus asus un tīrus.** Pareizi apkopti griezējinstrumenti ar asām griezējmalām retāk sakeras un ir vieglāk kontrolējami.
- **Lietojiet elektroinstrumentu, tā piederumus un instrumenta elementus, kā arī citus saistītos elementus atbilstoši šiem norādījumiem, ņemot vērā darba apstākļus un veicamo uzdevumu.** Elektroinstrumenta lietošana neparedzētiem mērķiem var radīt bīstamas situācijas.
- Šo 56 V instrumentgalvu PH1400E drīkst izmantot tikai kopā ar turpmāk norādītajām EGO papildierīcēm.

PAPILDIERĪCES VEIDS	MODEĻA NUMURS
Apmalu griezējs	EA0800
Krūmgriezis	BCA1200
Auklas trimmers	STA1500
Kāta zāģis	PSA1000
Kāta dzīvžogu trimmers	HTA2000

## AKUMULATORA LIETOŠANA UN APKOPE

- **Uzlādēšanai izmantojiet tikai ražotāja norādīto uzlādes ierīci.** Uzlādes ierīce, kas ir piemērota viena veida akumulatoriem, var radīt ugunsgrēka risku, ja tā tiek izmantota kopā ar citu akumulatoru.
- **Elektroinstrumentos ievietojiet tikai īpaši paredzētos akumulatoru blokus, kas norādīti turpmāk.** Jebkura cita akumulatora bloka izmantošana var radīt ievainojumu gūšanas un ugunsgrēka risku.

AKUMULATORS	LĀDĒTĀJS
BA1120E, BA2240E, BA2800, BA3360, BA4200 (BA3360 un BA4200 nevar izmantot, ja ir uzstādīta krūmgrieža pierīce)	CH5500E, CH2100E

- **Kamēr akumulatora bloks netiek izmantots, glabājiet to tā, lai tas nenonāktu saskarē ar citiem metāla objektiem, piemēram, papīra saspaudēm, monētām, atslēgām, naglām, skrūvēm vai citiem maziem objektiem, kas var radīt savienojumu starp spailēm.** Īssavienojuma radīšana starp akumulatora spailēm var izraisīt apdegumus vai ugunsgrēku.
- **Neatbilstošos apstākļos no akumulatora var izšākties šķidrums, izvairieties no saskares ar to.** Ja tomēr nejausi nonākat ar to saskarē, atbilstošu vietu nekavējoties noskalojiet ar ūdeni. Ja šis šķidrums nonāk saskarē ar acīm, vērsieties pie ārsta. Šķidrums, kas izšļācas no akumulatora, var radīt iekaisumu vai apdegumus.

## APKOPE

- **Jūsu elektroinstrumentam apkopes un uzturēšanas darbus drīkst veikt tikai kvalificēts mehāniķis, izmantojot tikai identiskas maiņas daļas.** Tādējādi tiek nodrošināta elektroinstrumenta drošas darbības saglabāšana.
- **Gadījumos, kas nav aprakstīti šajā rokasgrāmatā, esiet uzmanīgs un rīkojieties prātīgi.** Lai saņemtu palīdzību, sazinieties ar EGO apkopes centru.

## SAGLABĀJIET ŠOS NORĀDĪJUMUS!

**PAPILDINFORMĀCIJA PAR KONKRĒTIEM DROŠĪBAS NOTEIKUMIEM IR PIEEJAMA ATBILSTOŠĀS PAPILDIERĪCES LIETOTĀJA ROKASGRĀMATĀ**

## SPECIFIKĀCIJAS

Spriegums	56 V ---
Svars (bez akumulatora bloka)	2,73 kg

## KOMPLEKTĀCIJA

DAĻAS NOSAUKUMS	DAUDZUMS
Instrumentgalva	1
Regulējams priekšējais paltgrotkuris	1
Plecu sikсна	1
Lietošanas rokasgrāmata	1

## APRAKSTS

### PĀRZINIET SAVU INSTRUMENTGALVU (A attēls)

1. Gaisa izplūde
2. Gaisa ieplūde
3. Aizmugurējais rokturis
4. Atbloķēšanas poga
5. Liela/maza ātruma slēdzis
6. Robežvērtības gredzens
7. Regulējams priekšējais rokturis
8. Savienotājs
9. Kāta atbrīvošanas poga
10. Iespīlēšanas spārnuzgrieznis
11. Barjerstienis
12. Pārslēdzējs
13. Akumulatora atbrīvošanas poga
14. Gumijas aizsargpaliktnis
15. Fiksators
16. Elektriskie kontakti
17. Izsviešanas mehānisms
18. Plecu sikсна (īpašais piederums)

LV

## MONTĀŽA

**▲ BRĪDINĀJUMS.** Ja kāda no daļām trūkst vai ir bojāta, nelietojiet šo izstrādājumu, līdz daļas ir nomainītas. Izmantojot šo izstrādājumu, ja trūkst kāda no daļām vai arī tā ir bojāta, var rasties smagas traumas.

**▲ BRĪDINĀJUMS!** Vienmēr izņemiet akumulatoru bloku no produkta, ja tiek veikta detaļu izjaukšana, regulēšanas vai tīrīšanas darbi, kā arī tad, kad izstrādājums netiek lietots.

### PAPILDIERĪCES PIEVIENOŠANA INSTRUMENTGALVAI

**▲ BRĪDINĀJUMS!** Izlasiet un izprotiet visu katras papildierīces, kas ir uzstādāma uz šīs instrumentgalvas, lietotāja rokasgrāmatu un ņemiet vērā visus brīdinājumus un norādījumus. Neievērojot šos norādījumus, iespējams gūt elektriskās strāvas triecienu, izraisīt ugunsgrēku un/vai gūt nopietnus ievainojumus.

**▲ BRĪDINĀJUMS!** Št 56 V instrumentgalva PH1400E ir izstrādāta tā, lai to varētu izmantot tikai ar EGO papildierīču modeļiem, kas ir norādīti šajā lietotāja rokasgrāmatā vai kurus ievieš EGO lietošanai ar šo instrumentgalvu. Citu neapstiprinātu papildierīču lietošana var radīt nopietnus ievainojumus vai materiālos zaudējumus.

**▲ BRĪDINĀJUMS!** Nekad neuzstādiet, nenovietojiet vai neregulējiet jebkuras papildierīces, kamēr instrumentgalva darbojas vai ir pievienots akumulators. Neapsturot dzinēju un neizņemot akumulatoru, var tikt radīti nopietni ievainojumi. **NEKAD NEDARBINIET INSTRUMENTGALVU BEZ PIEVIENOTAS PAPILDIERĪCES.**

Papildierīci var pievienot instrumentgalvai, izmantojot savienojošo ierīci.

1. Apturiet dzinēju un izņemiet akumulatora bloku.
2. Atskrūvējiet iespīlēšanas spārnuzgriezni.
3. Noņemiet no papildierīces noslēgu. Novietojiet bultu uz papildierīces kāta pretī bultai uz savienotāja un iespīdriet papildierīces kātu savienotājā tik tālu, ka atskan klikšķis, kas liecina, ka papildierīces kāts ir ievietots savā vietā (B attēls).

B attēla detaļu aprakstu skatiet tālāk:

B-1	Papildierīces kāts	B-4	Bulta uz savienotāja
B-2	Bulta uz papildierīces kāta	B-5	Kāta atbrīvošanas poga
B-3	Iespīlēšanas spārmuzgrieznis	B-6	Instrumentgalvas kāts

4. Paveiciet papildierīces kātu, lai pārbaudītu, vai tas ir kārtīgi nofiksējies savienotājā. Ja tā nav, pagrieziet papildierīces kātu savienotājā no vienas puses uz otru pusi, līdz tas nofiksējas savā vietā.
5. Stingri pievelciet iespīlēšanas spārmuzgriezni.

**⚠ BRĪDINĀJUMS!** Pirms aprīkojuma lietošanas pārlicinieties, ka iespīlēšanas spārmuzgrieznis ir pilnībā pievilts, kā arī lietošanas laikā regulāri pārbaudiet stingrību, lai novērstu nopietnu ievainojumu gūšanas risku.

#### PAPILDIERĪCES NOŅĒMŠANA NO INSTRUMENTGALVAS

1. Apturiet dzinēju un izņemiet akumulatora bloku.
2. Atskrūvējiet iespīlēšanas spārmuzgriezni.
3. Nospiediet kāta atbrīvošanas pogu un, kad tā ir nospiesta, velciet vai grieziet papildierīces kātu tā, lai izņemtu to no savienotāja.

#### PIEKŠĒJĀ PALĪGROKTURA UZSTĀDĪŠANA UN REGULĒŠANA

1. Apturiet dzinēju un izņemiet akumulatora bloku, ja tāds ir uzstādīts.
2. Atskrūvējiet iespīlēšanas spārmuzgriezni, lai noņemtu regulējamo priekšējo palīgrokturi (C attēls).

C attēla detaļu aprakstu skatiet tālāk:

C-1	Bloķēšanas statnis	C-3	Priekšējais palīgrokturis ar barjerstieni
C-2	Iespīlēšanas bloks	C-4	Iespīlēšanas spārmuzgrieznis

3. Uzbīdīet priekšējo palīgrokturi uz kāta starp robežvērtības gredzenu un savienotāju (D attēls).
4. Ievietojiet iespīlēšanas bloku brīvā spraugā uz roktura (E attēls).
5. Uzstādiet bloķēšanas statni un nofiksējiet tos ar spārmuzgriezni. Pārlicinieties, ka priekšējais palīgrokturis ir vērsts uz augšpusi un norāda uz aizmugurējā roktura augšpusi (F attēls).

6. Noregulējiet priekšējo palīgrokturi starp robežvērtības gredzenu un savienotāju, lai nodrošinātu, ka lietošanas laikā jūsu priekšējā roka būtu taisna (G attēls).

G attēla detaļu aprakstu skatiet tālāk:

G-1	Bultiņa	G-2	Atzīmes robežas
-----	---------	-----	-----------------

7. Un pēc tam nobloķējiet bloķēšanas statņa sviru (H attēls).

**⚠ BRĪDINĀJUMS!** Nekādā gadījumā nelietojiet šo instrumentu, ja priekšējais palīgrokturis nav stingri nostiprināts savā vietā.

**⚠ BRĪDINĀJUMS!** Priekšējo palīgrokturi nofiksējiet tikai starp robežvērtības gredzenu un savienotāju.

#### PLECU SIKSNAS PIESTIPRINĀŠANA

Lai atvērtu siksnas āķi, nospiediet to un pieāķējiet pie plecu siksnas instrumentgalvas piekares (I att.).

#### LIETOŠANA

**⚠ BRĪDINĀJUMS.** Iepazīstot darbu ar šo ierīci, nekļūstiet nolaidīgs. Atcerieties, ka neuzmanība sekundes daļā var radīt smagu traumu.

**⚠ BRĪDINĀJUMS!** Vienmēr lietojiet aizsargbrilles. Šo noteikumu neievērošana var novest pie tā, ka jums acīs ielido kādi objekti vai citiem nopietniem ievainojumiem.

**⚠ BRĪDINĀJUMS!** Neizmantojiet nekādas papildierīces vai aksesuārus, kuras neiesaka šī izstrādājuma ražotājs. Šādu neapstiprinātu papildierīču vai aksesuāru lietošana var radīt nopietnus ievainojumus.

**⚠ BRĪDINĀJUMS! NEKAD NEDARBINIET INSTRUMENTGALVU BEZ PIEVIENOTAS PAPILDIERĪCES.**

#### AKUMULATORA BLOKA IEVIETOŠANA/IZŅĒMŠANA

**PIEZĪME.** Pirms pirmās lietošanas reizes pilnībā uzlādējiet akumulatoru bloku.

#### Uzstādīšana

Novietojiet akumulatora valnīšus pretī uzstādīšanas spraugai un spiediet akumulatoru uz leju līdz dzirdat klikšķi (J attēls).

J attēla detaļu aprakstu skatīt zemāk:

J-1	Uzstādīšanas atvere
J-2	Valnītis

## Noņemšana

Nospiediet akumulatora atbrīvošanas pogu un izņemiet akumulatora bloku (K attēls).

**BRĪDINĀJUMS!** Lai izvairītos no nopietniem ievainojumiem, vienmēr izņemiet akumulatora bloku un instrumenta pārnēsāšanas vai transportēšanas laikā nepieskarieties pie atbloķēšanas pogas un iedarbināšanas slēdža.

## INSTRUMENTGALVAS IEDARBINĀŠANA/ APTURĒŠANA (L attēls)

### Iedarbināšana

Nospiediet atbloķēšanas pogu un turiet to šajā pozīcijā. Nospiediet iedarbināšanas slēdzi, lai ieslēgtu instrumentgalvu. Instrumentgalvas rotācijas ātrums ir atkarīgs no spēka, ar kādu tiek nospiests iedarbināšanas slēdzis. Jo lielāks spiediens, jo rotācijas ātrums ir lielāks.

### Apturēšana

Atļaidiet iedarbināšanas slēdzi.

**PIEZĪME.** Motors darbojas tikai tad, ja vienlaicīgi ir nospiesta atbloķēšanas svira un iedarbināšanas slēdzis.

### Ātruma regulēšanas funkcija (L attēls)

Instrumentgalvai ir divi ātrumi. Pozīcija „1” ir mazs ātrums, savukārt pozīcija „2” ir liels ātrums. Nospiediet vai pavelciet liela/maza ātruma slēdzi, lai lietošanas laikā izvēlētos atbilstošu ātrumu.

L attēla detaļu aprakstu skatiet tālāk:

L-1	Liela/maza ātruma slēdzis
L-2	Atbloķēšanas poga
L-3	Iedarbināšanas slēdzis

## APKOPE

**⚠ BRĪDINĀJUMS!** Pirms ierīces pārbaudes, tīrīšanas vai apkopšanas, apturiet dzinēju, pagaidiet līdz visas kustīgās daļas ir pārstājušas kustēties un izņemiet akumulatora bloku. Šo noteikumu neievērošana var radīt nopietnus ievainojumus vai materiālos zaudējumus.

**⚠ BRĪDINĀJUMS.** Veicot apkopi, izmantojiet tikai identiskas nomaīņas daļas. Regulāri pārbaudiet ierīci un veiciet tās apkopi. Lai garantētu drošību un uzticamību, ierīci drīkst remontēt tikai kvalificēts apkopes tehniķis.

**PIEZĪME.** Pirms katras lietošanas pārbaudiet visu ierīci, vai tā nav bojāta, vai tai nav trūkstošu vai vaļīgu daļu, piemēram, skrūvju, uzgriežņu, bultskrūvju, vāciņu utt. Cieši pievelciet visus stiprinājumus un vāciņus un nedarbiniet šo ierīci, līdz visas trūkstošās vai bojātās daļas ir nomainītas. Lūdzu, sazinieties ar klientu apkalpošanas daļu vai kvalificētu tehnisko speciālistu.

## VISPĀRĒJĀ APKOPE

Tirot plastmasas detaļas, neizmantojiet šķīdinātājus. Vairums plastmasu ir uzņēmīgas pret dažāda veida komerciālu šķīdinātāju bojājumiem un, tos izmantojot, var tikt sabojātas. Lai notīrītu netīrumus, putekļus, eļļu, smērvielas u.c., izmantojiet tīras lupatiņas.

## INSTRUMENTGALVAS TĪRĪŠANA

1. Apturiet dzinēju un izņemiet akumulatora bloku.
2. Izmantojot mitru lupatiņu, kas samitrināta ar maigu tīrīšanas līdzekli, notīriet netīrumus un gružus no instrumentgalvas.

**PIEZĪME.** Netīriet plastmasas korpusu un rokturi ar kodīgiem tīrīšanas līdzekļiem. Plastmasas daļas var sabojāt ar noteiktām aromatizētājam eļļām, piemēram, priežu un citrona.

## INSTRUMENTGALVAS GLABĀŠANA

1. Pirms novietošanas glabāšanā izņemiet no instrumentgalvas akumulatora bloku
2. Notīriet no instrumentgalvas jebkādu svešķermeņus.
3. Glabājiet to bērniem nepieejamā vietā.
4. Sargājiet no kodīgām vielām, piemēram, dārzā lietojamajām ķīmikālijām un atledošanas sāls.

### Apkārtējās vides aizsardzība



Neizmetiet elektroierīces, akumulatora lādētājus un baterijas/uzlādējamus akumulatorus mājsaimniecības atkritumos!

Saskaņā ar Eiropas likumu 2012/19/ES, un 2006/66/EK nolietotais elektriskais un elektroniskais aprīkojums, bojāti vai lietoti akumulatora bloki/baterijas jāsavāc atsevišķi.

Ja elektroierīces tiek izmestas atkritumu poligonos vai izgāztuvēs, gruntsūdenī var iekļūt bīstamas vielas, piesārņojot barības ķēdi, kaitējot veselībai un labsajūtai.

### KĻŪMJU NOVĒRŠANA

Skatiet atbilstošās papildierīces lietotāja rokasgrāmatu.

### GARANTIJA

#### EGO GARANTIJAS POLITIKA

Lūdzu, apmeklējiet tīmekļa vietni [egopowerplus.com](http://egopowerplus.com), kur pieejama pilna EGO Garantijas politikas noteikumu un nosacījumu versija.

01/12/2016

## ΔΙΑΒΑΣΤΕ ΟΛΕΣ ΤΙΣ ΟΔΗΓΙΕΣ!



ΔΙΑΒΑΣΤΕ ΤΟ ΕΓΧΕΙΡΙΔΙΟ ΧΡΗΣΗΣ

**⚠ Υπολειπόμενοι κίνδυνοι!** Άνθρωποι που φέρουν ηλεκτρονικές συσκευές όπως βηματοδότες πρέπει να συμβουλευθούνται τους γιατρούς τους πριν τη χρήση αυτού του προϊόντος. Η λειτουργία ηλεκτρικών εξοπλισμών κοντά σε βηματοδότη μπορεί να προκαλέσει παρεμβολές ή βλάβη στον βηματοδότη.

**⚠ ΠΡΟΕΙΔΟΠΟΙΗΣΗ:** Για να διασφαλίσετε την ασφάλεια και την αξιοπιστία, όλες οι επισκευές πρέπει να διεξάγονται από εξειδικευμένο τεχνικό του σέρβις.

## ΣΥΜΒΟΛΑ ΑΣΦΑΛΕΙΑΣ

Ο σκοπός των συμβόλων ασφαλείας είναι να σας τραβήξουν την προσοχή για ενδεχόμενους κινδύνους. Προσέξτε και κατανοήστε τα σύμβολα ασφαλείας και τις επεξηγήσεις που τα συνοδεύουν. Οι προειδοποιήσεις συμβόλων από μόνες τους δεν εξαλείφουν κανέναν κίνδυνο. Οι οδηγίες και οι προειδοποιήσεις που παρέχουν δεν υποκαθιστούν τα μέτρα σωστής πρόληψης ατυχημάτων.

**⚠ ΠΡΟΕΙΔΟΠΟΙΗΣΗ:** Βεβαιωθείτε ότι έχετε διαβάσει και κατανοήσει όλες τις οδηγίες ασφαλείας στο παρόν Εγχειρίδιο χειριστή, συμπεριλαμβανομένων όλων των συμβόλων ασφαλείας όπως «**ΚΙΝΔΥΝΟΣ**», «**ΠΡΟΕΙΔΟΠΟΙΗΣΗ**» και «**ΠΡΟΣΟΧΗ**», προτού χρησιμοποιήσετε αυτό το εργαλείο. Η μη τήρηση όλων των παρακάτω οδηγιών μπορεί να οδηγήσει σε ηλεκτροπληξία, πυρκαγιά ή/και σοβαρό ατομικό τραυματισμό.

## ΣΗΜΑΣΙΑ ΣΥΜΒΟΛΩΝ

**⚠ ΣΥΜΒΟΛΟ ΕΙΔΟΠΟΙΗΣΗΣ ΑΣΦΑΛΕΙΑΣ:** Υποδηλώνει **ΚΙΝΔΥΝΟ**, **ΠΡΟΕΙΔΟΠΟΙΗΣΗ** ή **ΠΡΟΣΟΧΗ**. Μπορεί να χρησιμοποιείται σε συνδυασμό με άλλα σύμβολα ή εικονογράμματα.

**⚠ ΠΡΟΕΙΔΟΠΟΙΗΣΗ:** Η λειτουργία ηλεκτρικών εργαλείων μπορεί να επιφέρει εκτόξευση ξένων αντικειμένων στα μάτια σας, με αποτέλεσμα σοβαρή βλάβη σε αυτά. Προτού ξεκινήσετε τη λειτουργία του ηλεκτρικού εργαλείου φοράτε πάντα προστατευτικά γυαλιά ή γυαλιά με πλευρική

προστασία και εφόσον απαιτείται πλήρη προστατευτική προσωπίδα. Συστήνουμε μια προσωπίδα ασφαλείας ευρείας όρασης για χρήση πάνω από γυαλιά ή συνήθη προστατευτικά γυαλιά με πλευρική προστασία.

## ΟΔΗΓΙΕΣ ΑΣΦΑΛΕΙΑΣ

Αυτή η σελίδα απεικονίζει και περιγράφει τα σύμβολα ασφαλείας που υπάρχουν ενδεχομένως σε αυτό το προϊόν. Διαβάζετε, κατανοείτε και ακολουθείτε όλες τις οδηγίες στη μηχανή προτού προσπαθήσετε να διεξάγετε εργασίες συναρμολόγησης και λειτουργίας.

	Ειδοποίηση ασφαλείας	Υποδηλώνει ενδεχόμενο κίνδυνο ατομικού τραυματισμού.
	Διαβάστε το εγχειρίδιο χρήσης	Προκειμένου να μειωθεί ο κίνδυνος τραυματισμού, ο χρήστης πρέπει να διαβάσει και να κατανοήσει το εγχειρίδιο χρήσης προτού χρησιμοποιήσει αυτό το προϊόν.
	Φοράτε προστατευτικά γυαλιά	Φοράτε πάντοτε προστατευτικά γυαλιά ή γυαλιά ασφαλείας με πλευρική προστασία και πλήρη προστατευτική προσωπίδα κατά τη λειτουργία αυτού του προϊόντος.
	CE	Αυτό το προϊόν συμφώνει με τις ισχύουσες οδηγίες της ΕΚ.
	ΑΗΗΕ (WEEE)	Τα άχρηστα ηλεκτρικά προϊόντα δεν πρέπει να απορρίπτονται στα οικιακά απόβλητα. Παραδίδετε τα σε μια εξουσιοδοτημένη εταιρεία ανακύκλωσης.
	Μην εκθέτετε στη βροχή	Μη χρησιμοποιείτε στη βροχή ή μην αφήνετε σε εξωτερικό χώρο ενώ βρέχει.
V	Volt	Τάση
mm	Χιλιοστό	Μήκος ή διαστάσεις

GR





cm	Εκατοστό	Μήκος ή διαστάσεις
in.	Ίντσα	Μήκος ή διαστάσεις
kg	Κιλό	Βάρος
lb	Λίβρα	Βάρος
	Συνεχές ρεύμα	Τύπος ή χαρακτηριστικό του ρεύματος

## ΓΕΝΙΚΕΣ ΠΡΟΕΙΔΟΠΟΙΗΣΕΙΣ ΑΣΦΑΛΕΙΑΣ ΓΙΑ ΗΛΕΚΤΡΙΚΑ ΕΡΓΑΛΕΙΑ

**ΠΡΟΕΙΔΟΠΟΙΗΣΗ:** Διαβάστε όλες τις προειδοποιήσεις ασφαλείας και τις οδηγίες. Η μη τήρηση των προειδοποιήσεων και των οδηγιών μπορεί να οδηγήσει σε πρόκληση ηλεκτροπληξίας, πυρκαγιάς ή/και σοβαρό τραυματισμό.

**Φυλάξτε όλες τις προειδοποιήσεις και τις οδηγίες για μελλοντική αναφορά.**

Ο όρος «ηλεκτρικό εργαλείο» στις προειδοποιήσεις αναφέρεται στο ηλεκτρικό σας εργαλείο που λειτουργεί είτε με σύνδεση στην πρίζα (με καλώδιο) είτε με μπαταρίες (χωρίς καλώδιο).

### ΑΣΦΑΛΕΙΑ ΣΤΟΝ ΧΩΡΟ ΕΡΓΑΣΙΑΣ

- Διατηρείτε την περιοχή εργασίας καθαρή και καλά φωτισμένη. Οι ακατάστατοι χώροι και οι χώροι με κακό φωτισμό ενισχύουν την πιθανότητα πρόκλησης ατυχημάτων.
- Μη χρησιμοποιείτε ηλεκτρικά εργαλεία σε περιβάλλον με εύφλεκτη ατμόσφαιρα, όπου υπάρχουν εύφλεκτα υγρά, βενζίνη ή σκόνη. Τα ηλεκτρικά εργαλεία προκαλούν σπινθηρισμούς, οι οποίοι είναι πιθανόν να αναφλέξουν τη σκόνη ή τους ατμούς.
- Κρατάτε τα παιδιά και τους παρευρισκόμενους μακριά όταν χρησιμοποιείτε το ηλεκτρικό εργαλείο. Η απόσπαση της προσοχής σας μπορεί να σας κάνει να χάσετε τον έλεγχο του ηλεκτρικού εργαλείου.

### ΗΛΕΚΤΡΙΚΗ ΑΣΦΑΛΕΙΑ

- Το φως του ηλεκτρικού εργαλείου πρέπει να ταιριάζει στην πρίζα. Ποτέ μην τροποποιείτε το φως με κανέναν τρόπο. Μη χρησιμοποιείτε κανενός είδους προσαρμογείς πριζών με ηλεκτρικά εργαλεία, τα οποία διαθέτουν προστατευτικό καλώδιο (γείωση). Τα μη τροποποιημένα φως και οι κατάλληλες πρίζες μειώνουν τον κίνδυνο ηλεκτροπληξίας.

- Αποφεύγετε την επαφή του σώματός σας με γειωμένες επιφάνειες, όπως σωλήνες, θερμοπαιδικά σώματα, εστίες και ψυγεία. Υπάρχει αυξημένος κίνδυνος ηλεκτροπληξίας αν το σώμα σας γειωθεί.
- Μην εκθέτετε τα ηλεκτρικά εργαλεία σε βροχή ή συνθήκες υγρασίας. Αν εισχωρήσει νερό μέσα στο ηλεκτρικό εργαλείο θα αυξηθεί ο κίνδυνος ηλεκτροπληξίας.
- Μην κακομεταχειρίζεστε το καλώδιο. Μη χρησιμοποιείτε ποτέ το καλώδιο για να μεταφέρετε, τραβήξετε ή απομακρύνετε από την πρίζα το ηλεκτρικό εργαλείο. Κρατάτε το καλώδιο μακριά από ζέστη, λάδια, αιχμηρές γωνίες ή κινούμενα εξαρτήματα. Τα κατεστραμμένα ή μπλοκαρισμένα καλώδια αυξάνουν τον κίνδυνο ηλεκτροπληξίας.
- Όταν χρησιμοποιείτε ένα ηλεκτρικό εργαλείο σε εξωτερικό χώρο, χρησιμοποιείτε καλώδιο προέκτασης κατάλληλο για χρήση σε εξωτερικό χώρο. Η χρήση καλωδίου που ενδείκνυται για χρήση σε εξωτερικό χώρο μειώνει τον κίνδυνο ηλεκτροπληξίας.
- Αν η χρήση του ηλεκτρικού εργαλείου σε υγρό περιβάλλον είναι αναπόφευκτη, χρησιμοποιήστε στην τροφοδοσία έναν διακόπτη κυκλώματος βλάβης γείωσης. Η χρήση του διακόπτη GFCI μειώνει τον κίνδυνο ηλεκτροπληξίας.

### ΠΡΟΣΩΠΙΚΗ ΑΣΦΑΛΕΙΑ

- Να είστε σε εγρήγορση, να έχετε την προσοχή σας σε αυτό που κάνετε και να χρησιμοποιείτε κοινή λογική κατά τη χρήση ενός ηλεκτρικού εργαλείου. Μη χρησιμοποιείτε ηλεκτρικά εργαλεία όταν είστε κουρασμένοι ή κάτω από την επίδραση ναρκωτικών, αλκοόλ ή φαρμάκων. Μια στιγμή απροσεξίας κατά τη χρήση του ηλεκτρικού εργαλείου μπορεί να οδηγήσει σε σοβαρό ατομικό τραυματισμό.
- Χρησιμοποιείτε ατομικό προστατευτικό εξοπλισμό. Φοράτε πάντα προστατευτικά γυαλιά. Ο προστατευτικός εξοπλισμός, όπως μάσκα σκόνης, αντιολισθητικά παπούτσια, κράνος ή ωτοπροστασία που χρησιμοποιείται στις κατάλληλες περιπτώσεις μειώνει τον κίνδυνο ατομικών τραυματισμών.
- Αποφεύγετε τυχαίο ξεκίνημα. Βεβαιώστε ότι ο διακόπτης βρίσκεται στη θέση απενεργοποίησης (OFF) πριν συνδέσετε το ηλεκτρικό εργαλείο στο ρεύμα ή/και στην μπαταρία, ή όταν σηκώνετε ή μεταφέρετε το εργαλείο. Η μεταφορά ηλεκτρικών εργαλείων με το δάχτυλο στον διακόπτη ή η σύνδεσή τους στο ρεύμα με το διακόπτη στο ON, αυξάνουν τη πιθανότητα πρόκλησης ατυχημάτων.
- Αφαιρείτε όλα τα κλειδιά ρύθμισης και τα μηχανικά κλειδιά πριν θέσετε σε λειτουργία το ηλεκτρικό εργαλείο. Τυχόν εργαλεία ρύθμισης ή μηχανικά κλειδιά σε κάποιο από τα κινούμενα μέρη του ηλεκτρικού εργαλείου μπορούν να προκαλέσουν ατομικό τραυματισμό.

GR

- **Μην υπερεκτείνεστε. Πατάτε πάντα σταθερά και διατηρείτε την ισορροπία σας.** Έτσι θα έχετε καλύτερο έλεγχο του ηλεκτρικού εργαλείου σε απρόβλεπτες καταστάσεις.
- **Ντύνεστε κατάλληλα. Μη φοράτε φαρδιά ρούχα ή κοσμήματα. Κρατάτε τα μαλλιά, τα ρούχα και τα γάντια σας μακριά από τα κινούμενα μέρη.** Χαλαρά ρούχα, κοσμήματα ή μακριά μαλλιά μπορεί να εμπλακούν σε κινούμενα μέρη.
- **Αν παρέχονται συσκευές για σύνδεση στο σύστημα εξαγωγής ή συλλογής της σκόνης, φροντίστε να τις συνδέσετε και να τις χρησιμοποιήσετε σωστά.** Η χρήση συσκευών συλλογής σκόνης μπορεί να μειώσει τους κινδύνους που σχετίζονται με αυτή.

## ΧΡΗΣΗ ΚΑΙ ΦΡΟΝΤΙΔΑ ΤΟΥ ΕΡΓΑΛΕΙΟΥ

- **Μην ασκείτε υπερβολική δύναμη στο ηλεκτρικό εργαλείο. Χρησιμοποιείτε το σωστό ηλεκτρικό εργαλείο για την εργασία σας.** Το σωστό ηλεκτρικό εργαλείο θα κάνει την εργασία καλύτερα και ασφαλέστερα στον ρυθμό για τον οποίο έχει σχεδιαστεί.
- **Μη χρησιμοποιείτε το ηλεκτρικό εργαλείο αν ο διακόπτης δεν μπορεί να το ενεργοποιήσει και να το απενεργοποιήσει.** Οποιοδήποτε ηλεκτρικό εργαλείο που δεν μπορεί να ελεγχθεί με τον διακόπτη είναι επικίνδυνο και πρέπει να επισκευαστεί.
- **Αποσυνδέετε το φις από την πρίζα ή/και αφαιρείτε την μπαταρία πριν κάνετε οποιαδήποτε ρύθμιση, αλλάξετε εξαρτήματα ή αποθηκεύσετε το ηλεκτρικό εργαλείο.** Αυτά τα προληπτικά μέτρα μειώνουν τον κίνδυνο τυχαίας ενεργοποίησης του ηλεκτρικού εργαλείου.
- **Αποθηκεύετε τα ηλεκτρικά εργαλεία που δεν χρησιμοποιείτε σε μέρος όπου δεν πλησιάζουν παιδιά και μην αφήνετε να χρησιμοποιηθούν από άτομα που δεν είναι εξοικειωμένα με αυτά ή με τις οδηγίες τους.** Τα ηλεκτρικά εργαλεία αποτελούν κίνδυνο όταν χρησιμοποιούνται από ανεκπαίδευτους χρήστες.
- **Συντηρείτε σωστά τα ηλεκτρικά εργαλεία. Ελέγχετε για πιθανή κακή ευθυγράμμιση ή εμπλοκή των κινούμενων εξαρτημάτων, σπασμένα μέρη και οποιαδήποτε άλλη κατάσταση που μπορεί να επηρεάσει τη λειτουργία του ηλεκτρικού εργαλείου. Αν το ηλεκτρικό εργαλείο πάθει βλάβη, δώστε το για επισκευή πριν να το χρησιμοποιήσετε πάλι.** Πολλά ατυχήματα προκαλούνται από κακώς συντηρημένα ηλεκτρικά εργαλεία.
- **Διατηρείτε τα κοπτικά εξαρτήματα αιχμηρά και καθαρά.** Τα κοπτικά εργαλεία που έχουν συντηρηθεί σωστά και διαθέτουν αιχμηρές κόψεις είναι λιγότερο πιθανό να μπλοκάρουν, ενώ είναι ευκολότερα στο χειρισμό.

- Χρησιμοποιείτε το ηλεκτρικό εργαλείο, τα εξαρτήματα, τα τρυπάνια κτλ. σύμφωνα με τις παρούσες οδηγίες, λαμβάνοντας υπόψη τις συνθήκες εργασίας, όπως και την προς εκτέλεση εργασία. Η χρήση ενός ηλεκτρικού εργαλείου για λειτουργίες διαφορετικές από αυτές για τις οποίες προορίζεται είναι πιθανόν να οδηγήσει σε επικίνδυνες καταστάσεις.
- Η παρούσα ηλεκτρική κεφαλή 56V PH1400E μπορεί να χρησιμοποιείται μόνο με τα ακόλουθα προσαρτήματα EGO:

ΤΥΠΟΣ ΠΡΟΣΑΡΤΗΜΑΤΟΣ	ΑΡΙΘΜΟΣ ΜΟΝΤΕΛΟΥ
Ακροκόφτης	EA0800
Θαμνοκοπτικό	BCA1200
Χλοοκοπτικό με νήμα	STA1500
Πριόνι με κοντάρι	PSA1000
Κονταροψάλιδο μπортουόρας	HTA2000

## ΧΡΗΣΗ ΚΑΙ ΦΡΟΝΤΙΔΑ ΤΟΥ ΕΡΓΑΛΕΙΟΥ

- **Επιαναφορτίζετε το εργαλείο μόνο με το φορτιστή που ορίζεται από τον κατασκευαστή.** Κάποιος φορτιστής που είναι κατάλληλος για έναν τύπο μπαταρίας μπορεί να δημιουργήσει κίνδυνο πυρκαγιάς εάν χρησιμοποιηθεί με άλλον τύπο μπαταρίας.
- **Χρησιμοποιείτε τα ηλεκτρικά εργαλεία μόνο με τις συστοιχίες μπαταριών που αναφέρονται παρακάτω.** Η χρήση οποιασδήποτε άλλης μπαταρίας μπορεί να προκαλέσει κίνδυνο τραυματισμού και πυρκαγιάς.

ΣΥΣΤΟΙΧΙΑ ΜΠΑΤΑΡΙΩΝ	ΦΟΡΤΙΣΤΗΣ
BA1120E, BA2240E, BA2800, BA3360, BA4200 (Τα BA3360 & BA4200 δεν ισχύουν σε εξοπλισμό προσαρτήματος θαμνοκοπτικού)	CH5500E, CH2100E

- **Όταν η μπαταρία δεν χρησιμοποιείται, φυλάσσετε τη μακριά από μεταλλικά αντικείμενα όπως συνδετήρες, νομίσματα, κλειδιά, καρφιά, βίδες ή άλλα μικρά μεταλλικά αντικείμενα, τα οποία μπορεί να δημιουργήσουν σύνδεση μεταξύ των ακροδεκτών.** Το βραχυκύκλωμα των ακροδεκτών της μπαταρίας μεταξύ τους ενδέχεται να προκαλέσει έγκαυμα ή πυρκαγιά.
- **Σε συνθήκες κακής χρήσης, μπορεί να εκτοξευτούν υγρά από την μπαταρία. Να αποφεύγετε την επαφή με αυτά. Σε περίπτωση που υπάρξει επαφή κατά λάθος, ξεπλύνετε με νερό. Αν το υγρό έρθει σε επαφή με τα μάτια, αναζητήστε επιπλέον ιατρική βοήθεια.** Τα υγρά που εκκινάσσονται από την μπαταρία ενδέχεται να προκαλέσουν ερεθισμό ή έγκαυμα.

## ΣΕΡΒΙΣ

- Η συντήρηση του ηλεκτρικού εργαλείου σας πρέπει να γίνεται από εξειδικευμένο τεχνικό επισκευών, χρησιμοποιώντας μόνο τα ίδια ανταλλακτικά. Έτσι διατηρείται η ασφαλής λειτουργία του ηλεκτρικού εργαλείου.
- Εάν προκύψουν καταστάσεις που δεν καλύπτονται στο παρόν εγχειρίδιο, να είστε προσεκτικοί και να κρίνετε σωστά. Επικοινωνήστε με το κέντρο σέρβις της EGO για βοήθεια.

## ΦΥΛΑΞΤΕ ΑΥΤΕΣ ΤΙΣ ΟΔΗΓΙΕΣ!

### ΠΡΟΣΘΕΤΟΙ ΕΙΔΙΚΟΙ ΚΑΝΟΝΕΣ ΑΣΦΑΛΕΙΑΣ ΥΠΑΡΧΟΥΝ ΣΤΟ ΙΣΧΥΟΝ ΕΓΧΕΙΡΙΔΙΟ ΧΡΗΣΤΗ ΤΟΥ ΠΡΟΣΑΡΤΗΜΑΤΟΣ

## ΠΡΟΔΙΑΓΡΑΦΕΣ

Τάση	56 V ---
Βάρος (χωρίς την μπαταρία)	2,73 kg

## ΚΑΤΑΛΟΓΟΣ ΕΞΑΡΤΗΜΑΤΩΝ ΣΥΣΚΕΥΑΣΙΑΣ

ΟΝΟΜΑ ΕΞΑΡΤΗΜΑΤΟΣ	ΠΟΣΟΤΗΤΑ
Ηλεκτρική κεφαλή	1
Ρυθμιζόμενη λαβή μπροστινής υποβοήθησης	1
Ιμάντας πρόσδεσης ώμου	1
Εγχειρίδιο χρήσης	1

## ΠΕΡΙΓΡΑΦΗ

### ΓΝΩΡΙΣΤΕ ΤΗΝ ΗΛΕΚΤΡΙΚΗ ΚΕΦΑΛΗ ΣΑΣ (Εικ. Α)

1. Έξοδος αέρα
2. Είσοδος αέρα
3. Οπίσθια λαβή
4. Κουμπί ασφάλισης
5. Διακόπτης υψηλής/χαμηλής ταχύτητας
6. Δακτύλιος κατωφλιού
7. Ρυθμιζόμενη λαβή μπροστινής υποβοήθησης
8. Συζεύκτης
9. Κουμπί απελευθέρωσης άξονα
10. Κουμπί πεταλούδας

11. Ράβδος οριοθέτησης
12. Σκανδάλη
13. Κουμπί απελευθέρωσης της μπαταρίας
14. Προστατευτικό ελαστικό πατάκι
15. Μάνταλο
16. Ηλεκτρικές επαφές
17. Μηχανισμός εκτόξευσης
18. Ιμάντας ώμου (ειδικό αξεσουάρ)

## ΣΥΝΑΡΜΟΛΟΓΗΣΗ

**⚠ ΠΡΟΕΙΔΟΠΟΙΗΣΗ:** Σε περίπτωση που κάποια από τα εξαρτήματα έχουν υποστεί ζημιά ή λείπουν, μη χρησιμοποιήσετε το μηχανήμα, μέχρι να αντικατασταθούν. Η χρήση αυτού του προϊόντος με φθαρμένα ή ελλειπή εξαρτήματα μπορεί να έχει σαν αποτέλεσμα σοβαρό ατομικό τραυματισμό.

**⚠ ΠΡΟΕΙΔΟΠΟΙΗΣΗ:** Αφαιρείτε πάντα τη συστοιχία μπαταριών από το προϊόν, όταν τοποθετείτε εξαρτήματα, κάνετε ρυθμίσεις, διεξάγετε καθαρισμό ή όταν δεν χρησιμοποιείτε το προϊόν.

### ΕΓΚΑΤΑΣΤΑΣΗ ΕΝΟΣ ΠΡΟΣΑΡΤΗΜΑΤΟΣ ΣΤΗΝ ΗΛΕΚΤΡΙΚΗ ΚΕΦΑΛΗ

**⚠ ΠΡΟΕΙΔΟΠΟΙΗΣΗ:** Διαβάστε και κατανοήστε όλο το εγχειρίδιο χρήστη για κάθε προαιρετικό προσάρτημα που χρησιμοποιείται σε αυτή την ηλεκτρική κεφαλή και τηρείτε όλες τις προειδοποιήσεις και οδηγίες. Η μη τήρηση όλων των οδηγιών μπορεί να έχει ως αποτέλεσμα ηλεκτροπληξία, πυρκαγιά ή/και σοβαρό ατομικό τραυματισμό.

**⚠ ΠΡΟΕΙΔΟΠΟΙΗΣΗ:** Η παρούσα ηλεκτρική κεφαλή 56V PH1400E έχει σχεδιαστεί για χρήση μόνο με μοντέλα προσαρτημάτων EGO που καθορίζονται στο παρόν εγχειρίδιο χρήστη ή προτείνονται συνεπώς από την EGO για χρήση με αυτή την ηλεκτρική κεφαλή. Η χρήση άλλων, μη εγκεκριμένων προσαρτημάτων μπορεί να προκαλέσει σοβαρούς ατομικούς τραυματισμούς ή ζημιά στην ιδιοκτησία.

**⚠ ΠΡΟΕΙΔΟΠΟΙΗΣΗ:** Ποτέ μην εγκαθιστάτε, απομακρύνετε ή ρυθμίζετε οποιοδήποτε προσάρτημα ενώ λειτουργεί η ηλεκτρική κεφαλή ή με τοποθετημένη την μπαταρία. Εάν δεν σταματήσετε το μοτέρ ή δεν απομακρύνετε τη μπαταρία, μπορεί να προκληθεί σοβαρός ατομικός τραυματισμός. **ΠΟΤΕ ΜΗ ΧΕΙΡΙΣΤΕΣΤΕ ΤΗΝ ΗΛΕΚΤΡΙΚΗ ΚΕΦΑΛΗ ΧΩΡΙΣ ΠΡΟΣΑΡΤΗΜΑ.**

Το προσάρτημα συνδέεται με την ηλεκτρική κεφαλή μέσω μιας συσκευής ζεύξης.

GR

1. Σταματήστε το μοτέρ και αφαιρέστε τη συστοιχία μπαταριών.
2. Λασκάρτε την πεταλούδα.
3. Απομακρύνετε το θερματικό πώμα από το προσάρτημα. Ευθυγραμμίστε το βέλος στον άξονα προσαρτήματος με το βέλος στη συσκευή ζεύξης και πιέστε τον άξονα προσαρτήματος μέσα στη συσκευή ζεύξης, έως ότου ακούσετε έναν ήχο «κλικ» που υποδηλώνει ότι ο άξονας προσαρτήματος έχει τοποθετηθεί στη θέση του (Εικ. Β).

Εικ. Β Περιγραφή εξαρτημάτων, δείτε παρακάτω:

B-1	Προσάρτημα άξονα	B-4	Βέλος στη συσκευή ζεύξης
B-2	Βέλος στον άξονα προσαρτήματος	B-5	Κουμπί απελευθέρωσης άξονα
B-3	Πεταλούδα	B-6	Άξονας ηλεκτρικής κεφαλής

4. Τραβήξτε τον άξονα του προσαρτήματος για να βεβαιωθείτε ότι έχει κλειδώσει με ασφάλεια μέσα στη συσκευή ζεύξης. Εάν όχι, περιστρέψτε τον άξονα προσαρτήματος από τη μια πλευρά στην άλλη στη συσκευή ζεύξης, έως ότου κομπώσσει στη θέση του.
5. Σφίξτε με ασφάλεια την πεταλούδα.

**⚠ ΠΡΟΕΙΔΟΠΟΙΗΣΗ:** Βεβαιωθείτε ότι η πεταλούδα έχει σφίχτεί πλήρως προτού θέσετε σε λειτουργία τον εξοπλισμό. Ελέγχετε την ανά τακτά χρονικά διαστήματα για το σφίξιμο ενώ χρησιμοποιείτε τη συσκευή, προς αποφυγή σοβαρού ατομικού τραυματισμού.

## ΑΠΟΜΑΚΡΥΝΣΗ ΤΟΥ ΠΡΟΣΑΡΤΗΜΑΤΟΣ ΑΠΟ ΤΗΝ ΗΛΕΚΤΡΙΚΗ ΚΕΦΑΛΗ

1. Σταματήστε το μοτέρ και αφαιρέστε τη συστοιχία μπαταριών.
2. Λασκάρτε την πεταλούδα.
3. Πιέστε το κουμπί αποδέσμευσης άξονα, με πατημένο το κουμπί τραβήξτε ή συστρέψτε τον άξονα προσαρτήματος έξω από τη συσκευή ζεύξης.

## ΤΟΠΟΘΕΤΗΣΗ ΚΑΙ ΡΥΘΜΙΣΗ ΤΗΣ ΛΑΒΗΣ ΜΠΡΟΣΤΙΝΗΣ ΥΠΟΒΟΗΘΗΣΗΣ

1. Σταματήστε το μοτέρ και απομακρύνετε τη συστοιχία μπαταριών, εφόσον έχει εγκατασταθεί.
2. Λασκάρτε την πεταλούδα για να διαχωρίσετε την ρυθμιζόμενη λαβή μπροστινής υποβοήθησης (Εικ. C).

Εικ. C Για την περιγραφή των εξαρτημάτων δείτε παρακάτω:

C-1	Κοντάρι ασφάλισης	C-3	Λαβή μπροστινής υποβοήθησης με ράβδο οριοθέτησης
C-2	Μπλοκ σύσφιξης	C-4	Πεταλούδα

3. Ωθήστε τη λαβή μπροστινής υποβοήθησης επάνω στον άξονα μεταξύ του δακτυλίου καταψύλιου και της συσκευής ζεύξης (Εικ. D).
4. Εισαγάγετε το μπλοκ σύσφιξης μέσα στην εσοχή λαβής (Εικ. E).
5. Τοποθετήστε το κοντάρι ασφάλισης και σφίξτε το αρχικά με την πεταλούδα. Εξασφαλίστε ότι η λαβή μπροστινής υποβοήθησης είναι προς τα επάνω και δείχνει προς το άνω μέρος της πίσω λαβής (Εικ. F).
6. Ρυθμίστε τη λαβή μπροστινής υποβοήθησης μεταξύ του δακτυλίου καταψύλιου και τη συσκευή ζεύξης ώστε να εξασφαλίσετε ότι ο μπροστινός σας βραχίονας είναι ίσιος κατά τη λειτουργία (Εικ. G).

Εικ. G Για την περιγραφή των εξαρτημάτων δείτε παρακάτω:

G-1	Βέλος	G-2	Εύρος περιορισμού
-----	-------	-----	-------------------

7. Και κατόπιν κλειδώστε το μοχλό του κονταριού ασφάλισης (Εικ. H).

**⚠ ΠΡΟΕΙΔΟΠΟΙΗΣΗ:** Ποτέ μη χειρίζεστε το εργαλείο χωρίς τη λαβή μπροστινής υποβοήθησης στη θέση της.

**⚠ ΠΡΟΕΙΔΟΠΟΙΗΣΗ:** Στερεώνετε την μπροστινή λαβή υποβοήθησης μόνο μεταξύ του δακτυλίου καταψύλιου και της συσκευής ζεύξης.

## ΤΟΠΟΘΕΤΗΣΗ ΤΟΥ ΙΜΑΝΤΑ ΩΜΟΥ

Πατήστε το άγκιστρο ιμάντα για να το ανοίξετε και προσαρτήστε το στον γάντζο στηρίγματος ιμάντα ώμου στην ηλεκτρική κεφαλή (Εικ. I).

## ΛΕΙΤΟΥΡΓΙΑ

**⚠ ΠΡΟΕΙΔΟΠΟΙΗΣΗ:** Η εξοικειωσή σας με αυτό το προϊόν δε θα πρέπει να σας κάνει λιγότερο προσεκτικούς. Θυμηθείτε πως ένα κλάσμα δευτερολέπτου απροσεξίας μπορεί να προκαλέσει σοβαρό τραυματισμό.

**⚠ ΠΡΟΕΙΔΟΠΟΙΗΣΗ:** Φοράτε πάντα προστατευτικά γυαλιά. Σε αντίθετη περίπτωση, είναι πιθανό να υπάρξει εκτόξευση αντικειμένων στα μάτια σας και άλλοι πιθανοί σοβαροί τραυματισμοί.

**⚠ ΠΡΟΕΙΔΟΠΟΙΗΣΗ:** Μη χρησιμοποιείτε εξαρτήματα που δε συνιστώνται από τον κατασκευαστή αυτού του προϊόντος. Η χρήση παρελκόμενων ή εξαρτημάτων που δε συνιστώνται από τον κατασκευαστή, ενέχει τον κίνδυνο σοβαρού τραυματισμού.

**⚠ ΠΡΟΕΙΔΟΠΟΙΗΣΗ: ΠΟΤΕ ΜΗ ΧΕΙΡΙΖΕΣΤΕ ΤΗΝ ΗΛΕΚΤΡΙΚΗ ΚΕΦΑΛΗ ΧΩΡΙΣ ΠΡΟΣΑΡΤΗΜΑ.**

### ΤΟΠΟΘΕΤΗΣΗ/ΑΠΟΜΑΚΡΥΝΣΗ ΤΗΣ ΣΥΣΤΟΙΧΙΑΣ ΜΠΑΤΑΡΙΩΝ

**ΣΗΜΕΙΩΣΗ:** Φορτίζετε πλήρως τη συστοιχία μπαταριών πριν την πρώτη χρήση.

#### Για την εγκατάσταση

Ευθυγραμμίστε τις νευρώσεις μπαταρίας με τις σπές τοποθέτησης και πιέστε τη συστοιχία μπαταριών κάτω, έως ότου ακούσετε ένα «κλικ» (Εικ. J).

Εικ. J Για την περιγραφή των εξαρτημάτων δείτε παρακάτω:

J-1	Υποδοχή τοποθέτησης
J-2	Νεύρωση

#### Για την απομάκρυνση

Πιέστε το κουμπί αποδέσμευσης μπαταρίας και τραβήξτε έξω τη συστοιχία μπαταριών (Εικ. K).

**ΠΡΟΕΙΔΟΠΟΙΗΣΗ:** Προς αποφυγή σοβαρού ατομικού τραυματισμού απομακρύνετε πάντα τη συστοιχία μπαταριών και διατηρείτε τα χέρια μακριά από το κουμπί απασφάλισης και την σκανδάλη όταν μεταφέρετε το εργαλείο.

### ΕΝΑΡΞΗ/ΣΤΑΜΑΤΗΜΑ ΤΗΣ ΗΛΕΚΤΡΙΚΗΣ ΚΕΦΑΛΗΣ (Εικ. L)

#### Έναρξη

Πατήστε κάτω το μοχλό απασφάλισης και κρατήστε τον σε αυτή τη θέση. Πατήστε τη σκανδάλη για να ενεργοποιηθεί την ηλεκτρική κεφαλή. Διαφορετική πίεση στη σκανδάλη επιφέρει αποτελέσματα μεταβλητής ταχύτητας περιστροφής της ηλεκτρικής κεφαλής. Περισσότερη πίεση, υψηλότερη ταχύτητα.

#### Σταμάτημα

Απελευθερώστε τη σκανδάλη.

**ΣΗΜΕΙΩΣΗ:** Ο κινητήρας λειτουργεί μόνο όταν ο μοχλός ασφάλισης και η σκανδάλη πιέζονται μαζί.

### Λειτουργία ρύθμισης ταχύτητας (Εικ. L)

Η ηλεκτρική κεφαλή έχει δύο ταχύτητες. Η θέση «1» προορίζεται για χαμηλή ταχύτητα ενώ η θέση «2» για υψηλή ταχύτητα. Ωθήστε ή τραβήξτε τον διακόπτη υψηλής/χαμηλής ταχύτητας για να επιλέξετε την κατάλληλη ταχύτητα κατά τη λειτουργία.

Εικ. L Για την περιγραφή των εξαρτημάτων δείτε παρακάτω:

L-1	Διακόπτης υψηλής/χαμηλής ταχύτητας
L-2	Κουμπί απασφάλισης
L-3	Σκανδάλη

## ΣΥΝΤΗΡΗΣΗ

**⚠ ΠΡΟΕΙΔΟΠΟΙΗΣΗ:** Πριν τον έλεγχο, τον καθαρισμό ή τη συντήρηση της μονάδας, σταματήστε το μοτέρ, περιμένετε να σταματήσουν όλα τα κινούμενα εξαρτήματα και απομακρύνετε τη συστοιχία μπαταριών. Η μη τήρηση των οδηγιών μπορεί να οδηγήσει σε σοβαρό τραυματισμό ή υλικές ζημιές.

**⚠ ΠΡΟΕΙΔΟΠΟΙΗΣΗ:** Όταν κάνετε συντήρηση του εργαλείου, χρησιμοποιείτε μόνο ίδια ανταλλακτικά. Η χρήση οποιωνδήποτε άλλων εξαρτημάτων μπορεί να προκαλέσει κίνδυνο ή υλικές ζημιές. Για να διασφαλίσετε την ασφάλεια και την αξιοπιστία, όλες οι επισκευές και οι αντικαταστάσεις πρέπει να διεξάγονται από εξειδικευμένο τεχνικό του σέρβις.

**ΣΗΜΕΙΩΣΗ:** Πριν από κάθε χρήση, επιθεωρείτε ολόκληρο το προϊόν για κατεστραμμένα ή λασκαρισμένα εξαρτήματα ή εξαρτήματα που λείπουν, όπως βίδες, παξιμάδια, μπουλόνια, καπάκια, κλπ. Σφίξτε καλά όλους τους σφινγκήρες και τα καπάκια, και μη χρησιμοποιήσετε αυτό το προϊόν πριν να αντικατασταθούν όλα τα εξαρτήματα που λείπουν ή αυτά που έχουν καταστραφεί. Επικοινωνήστε με την υπηρεσία εξυπηρέτησης πελατών ή με έναν εξειδικευμένο τεχνικό του σέρβις.

### ΓΕΝΙΚΗ ΣΥΝΤΗΡΗΣΗ

Αποφύγετε τη χρήση διαλυτών κατά τον καθαρισμό των πλαστικών εξαρτημάτων. Τα περισσότερα πλαστικά είναι ευπαθή στη χρήση διαφόρων τύπων διαλυτών του εμπόριου και καταστρέφονται από τη χρήση τους. Χρησιμοποιείτε καθαρό πανί για την απομάκρυνση βρωμιάς, σκόνης, λαδιού, γράσου κτλ.

### ΚΑΘΑΡΙΣΜΟΣ ΤΗΣ ΗΛΕΚΤΡΙΚΗΣ ΚΕΦΑΛΗΣ

1. Σταματήστε το μοτέρ και αφαιρέστε τη συστοιχία μπαταριών.
2. Καθαρίστε τους ρύπους και τα υπολείμματα από την ηλεκτρική κεφαλή χρησιμοποιώντας ένα νωπό πανί με ήπιο απορρυπαντικό.

**ΣΗΜΕΙΩΣΗ:** Μη χρησιμοποιήσετε κανένα δραστικό απορρυπαντικό πάνω στο πλαστικό περιβλήμα ή τη λαβή. Μπορεί να προκληθούν ζημιές λόγω ορισμένων αρωματικών ελαίων όπως από πεύκο και λεμόνι.

## ΑΠΟΘΗΚΕΥΣΗ ΤΗΣ ΗΛΕΚΤΡΙΚΗΣ ΚΕΦΑΛΗΣ

1. Απομακρύνετε τη συστοιχία μπαταριών από την ηλεκτρική κεφαλή πριν την αποθήκευση.
2. Καθαρίστε όλα τα ξένα σώματα από την ηλεκτρική κεφαλή.
3. Αποθηκεύστε σε μέρος όπου δεν πλησιάζουν παιδιά.
4. Κρατάτε μακριά από διαβρωτικά προϊόντα, όπως χημικά και αποπαγωτικά άλατα κήπου.

## Προστασία του περιβάλλοντος



Μην απορρίπτετε τους ηλεκτρικούς εξοπλισμούς, το φορτιστή μπαταρίας και τις μπαταρίες/επαναφορτιζόμενες μπαταρίες στα οικιακά απορρίμματα!

Σύμφωνα με τον Ευρωπαϊκό νόμο 2012/19/ΕΕ, οι ηλεκτρικοί και οι ηλεκτρονικοί εξοπλισμοί που δεν χρησιμοποιούνται πλέον και σύμφωνα με τον Ευρωπαϊκό νόμο 2006/66/ΕΚ, οι ελαττωματικές ή χρησιμοποιημένες συστοιχίες μπαταριών/μπαταρίες πρέπει να συλλέγονται ξεχωριστά.

Εάν οι ηλεκτρικές συσκευές απορριφθούν στο ύπαιθρο ή σε χωματερές, τότε είναι πιθανό να διαρρεύσουν επικίνδυνες ουσίες στα υπόγεια ύδατα, με αποτέλεσμα να περάσουν στην τροφική αλυσίδα, προκαλώντας ζημιές στην υγεία και την φυσική σας κατάσταση.

## ΑΝΤΙΜΕΤΩΠΙΣΗ ΠΡΟΒΛΗΜΑΤΩΝ

Δείτε το ισχύον εγχειρίδιο χρήστη του προσαρτήματος.

## ΕΓΓΥΗΣΗ

### ΠΟΛΙΤΙΚΗ ΕΓΓΥΗΣΗΣ EGO

Επισκεφθείτε την ιστοσελίδα [egopowerplus.com](http://egopowerplus.com) για όλους τους όρους και τις προϋποθέσεις της πολιτικής εγγύησης EGO.

GR

01/12/2016

## TÜM TALIMATLARI OKUYUN!



### KULLANIM KILAVUZUNU OKUYUN

**⚠ Artık risk!** Kalp pili gibi elektronik cihaz kullanan kişiler bu ürünü kullanmadan önce hekimlerine danışmalıdır. Elektrikli cihazların, kalp pili yakınında çalıştırılması kalp pilinde parazite veya arızaya neden olabilir.

**⚠ UYARI:** Güvenliği ve güvenilirliği sağlamak için, tüm onarım işlemleri yetkili bir servis teknisyeni tarafından gerçekleştirilmelidir.

## GÜVENLİK SEMBOLLERİ

Güvenlik sembollerinin amacı olası tehlikelere dikkatinizi çekmektir. Güvenlik sembolleri ve yanlarındaki açıklamalar özel dikkat ve anlayış göstermenizi gerektirir. Uyarı sembolleri kendi başlarına herhangi bir tehlikeyi gidermez. Sundukları talimat ve uyarılar uygun kaza önleme önlemlerinin yerine geçmez.

**⚠ UYARI:** Bu aleti kullanmadan önce, "TEHLİKE", "UYARI" ve "DİKKAT" gibi tüm güvenlik uyarı ve sembollerini içeren bu Kullanım Kılavuzu içerisindeki tüm güvenlik talimatlarını okuyup anladığınızdan emin olun. Aşağıdaki talimatların tamamına uyulmaması elektrik çarpması, yangın ve/veya ciddi kişisel yaralanma ile sonuçlanabilir.

## SEMBOLÜN ANLAMI

**⚠ GÜVENLİK UYARI SEMBOLÜ:** TEHLİKE, UYARI veya DİKKAT edilmesi gereken durumları gösterir. Diğer semboller veya resimlerle birlikte kullanılabilir.



**⚠ UYARI:** Herhangi bir elektrikli aletin kullanımı yabancı nesnelere gözlerinize fırlatılması sonucunu doğurabilir, bu da gözlerde ciddi hasara yol açabilir. Elektrikli aleti kullanmaya başlamadan önce, daima göz koruması veya yan siperleri olan koruyucu gözlük takın ve gerektiğinde tam yüz siperi kullanın. Gözlük üzerine kullanım için Wide Vision Koruyucu Maske ya da yan siperleri olan standart koruyucu gözlükleri tavsiye ederiz.

## GÜVENLİK TALIMATLARI

Bu sayfada, bu ürün üzerinde görülebilecek güvenlik sembolleri gösterilmekte ve açıklanmaktadır. Makineyi monte etmeye ve kullanmaya başlamadan önce, makineye ilişkin tüm talimatları okuyup anlayın ve bu talimatlara uyun.

	Güvenlik Uyarısı	Potansiyel bir kişisel yaralanma tehlikesini gösterir.
	Kullanım Kılavuzunu Okuyun	Yaralanma riskini azaltmak için, kullanıcı bu ürünü kullanmadan önce kullanım kılavuzunu okuyup anlamalıdır.
	Koruyucu Gözlük Takın	Bu ürünü çalıştırırken daima göz koruması, yan siperleri olan koruyucu gözlük ya da tam yüz maskesi kullanın.
	CE	Bu ürün geçerli AB direktiflerine uygundur.
	WEEE	Atık elektrikli ürünler, evsel atıklar ile birlikte imha edilmemelidir. Yetkili bir geri dönüşüm merkezine götürün.
	Yağmura Maruz Bırakmayın	Bu ürünü yağmur altında kullanmayın veya yağmur yağarken dışarıda bırakmayın.
V	Volt	Voltaj
mm	Milimetre	Uzunluk veya boyut
cm	Santimetre	Uzunluk veya boyut
in.	İnç	Uzunluk veya boyut
kg	Kilogram	Ağırlık
lb	Pound	Ağırlık
	Doğru Akım	Akım türü ve özelliği

## ELEKTRİKLİ ALETLER İÇİN GENEL GÜVENLİK UYARILARI

**UYARI:** Tüm güvenlik uyarılarını ve talimatlarını okuyun. Uyarılara ve talimatlara uyulmaması, elektrik çarpması, yangın ve/veya ciddi yaralanma ile sonuçlanabilir.

TR

## Tüm uyarı ve talimatları gelecekte başvuru amacıyla muhafaza edin.

Uyarılarda geçen "elektrikli alet" terimi ile elektrik prizinden beslenen (kablolu) elektrikli alet veya şarjlı (kablosuz) elektrikli alet kastedilmektedir.

## ÇALIŞMA ALANI GÜVENLİĞİ

- Çalışma alanını temiz ve iyi aydınlatılmış bir halde tutun. Karışık veya karanlık alanlar kazaya sebebiyet verir.
- Elektrikli aletleri yanıcı sıvılar, benzin veya tozların bulunduğu yerler gibi patlayıcı ortamlarda çalıştırmayın. Elektrikli aletler, toz veya duman oluşmasına sebep olabilecek kıvılcımlar çıkarır.
- Elektrikli aleti çalıştırırken çocukları ve etraftaki kişileri uzak tutun. Dikkatinizi dağıtıcı şeyler kontrolü kaybetmenize neden olabilir.

## ELEKTRİK GÜVENLİĞİ

- Elektrikli aletin fişi prize uygun olmalıdır. Fiş üzerinde asla değişiklik yapmayın. Topraklı (topraklamalı) elektrikli aletler için herhangi bir adaptör fişi kullanmayın. Modifiye edilmemiş fişler ve uygun prizler elektrik çarpması riskini azaltacaktır.
- Borular, radyatörler, ocaklar ve buz dolapları gibi topraklanmış yüzeylerle vücut temasından kaçının. Vücudunuzun topraklanması halinde elektrik çarpması riski vardır.
- Elektrikli aletleri yağmur veya ıslak koşullara maruz bırakmayın. Elektrikli alete su girmesi elektrik çarpması riskini artırır.
- Elektrik kablosuna zarar vermeyin. Elektrikli aleti taşımak, çekmek veya prizden çıkarmak için asla kabloyu kullanmayın. Kabloyu sıcaktan, yağdan, keskin kenarlardan veya hareketli parçalardan uzak tutun. Hasarlı veya birbirine dolaşmış kablolar elektrik çarpması riskini artırır.
- Bir elektrikli aleti açık havada kullanırken, uygun bir dış mekan uzatma kablosu kullanın. Dış mekan için uygun bir kablolu kullanılması elektrik çarpması riskini azaltır.
- Elektrikli aletin rutubetli bir ortamda kullanılması gerekiyorsa, kaçak akım rölesi bulunan bir şebeke kullanın. GFCI (toprak hata devre kesicisi) kullanımı elektrik çarpması riskini azaltır.

## KİŞİSEL GÜVENLİK

- Elektrikli aletleri kullanırken daima dikkatli olun, yaptığımız işe yoğunlaşın ve sağduyulu davranın. Yorgunken, uyuşturucu, alkol veya ilaçlı tedavi etkisi altındayken elektrikli aleti kullanmayın.

Elektrikli aletleri kullanırken bir anlık dikkatsizlik ciddi kişisel yaralanmayla sonuçlanabilir.

- **Kişisel koruyucu ekipman kullanın. Daima koruyucu gözlük takın.** Koşullara uygun toz maskesi, kaymaz emniyet ayakkabıları, kask veya işitme koruması vb. koruyucu ekipman kullanılması kişisel yaralanmaları azaltır.
- **Yanlışlıkla çalıştırmaktan kaçının. Aleti güç kaynağına ve/veya aküyü takmadan, havaya kaldırmadan veya taşımadan önce açma kapama düğmesinin kapalı olduğundan emin olun.** Aleti, parmağınız açma kapama düğmesi üzerinde dururken taşımak veya alet açikken fişi prize takmak kazalara davetiye çıkarır.
- **Elektrikli aleti çalıştırmadan önce ayar veya İngiliz anahtarını varsa çıkarın.** Elektrikli aletin döner parçalarına takılı kalmış bir anahtar kişisel yaralanmaya neden olabilir.
- **Dengesiz bir duruşla çalışma yapmayın. Çalışma süresince ayaklarınızı sağlam basın ve dengeyi koruyun.** Böyle yapılması, beklenmedik durumlarda elektrikli aletin daha iyi kontrol edilmesini sağlar.
- **Uygun bir şekilde giyinin. Bol giysiler giymeyin veya takı takmayın. Saçlarınızı, elbiselerinizi ve eldivenlerinizi hareketli parçalardan uzak tutun.** Bol giysiler, takılar veya uzun saçlar aletin hareketli parçalarına takılabilir.
- **Toz toplayıcı cihaz bağlantıları ve toplama tesisleri olması durumunda, bu bağlantıların düzgün yapılmış ve kullanılıyor olduğundan emin olun.** Toz tutucu cihazların kullanımı tozdan kaynaklanabilecek tehlikeleri azaltabilir.

## ELEKTRİKLİ ALET KULLANIMI VE BAKIMI

- **Elektrikli aleti zorlamayın. Yaptığınız işe uygun elektrikli aleti kullanın.** Doğru elektrikli alet, tasarımına uygun değerlerde kullanıldığında daha iyi ve daha güvenli çalışacaktır.
- **Açma kapama düğmesi çalışmıyorsa elektrikli aleti kullanmayın.** Açma kapama düğmesi ile kontrol edilemeyen bir elektrikli alet tehlikelidir ve onarılması gerekir.
- **Herhangi bir ayar işlemi, aksesuar değişimi veya elektrikli aletlerin saklanması öncesinde fişi prizden çekin ve/veya aküyü elektrikli aletten çıkarın.** Bu tür önleyici güvenlik önlemleri, elektrikli aletin yanlışlıkla çalışma riskini azaltacaktır.
- **Çalıştırılmayan elektrikli aletleri çocuklardan uzak tutun ve elektrikli aletin kullanımına veya bu talimatlara aşina olmayan kimselerin elektrikli aleti çalıştırmalarına izin vermeyin.** Elektrikli aletler, eğitimsiz kullanıcıların elinde tehlikelidir.



- Elektrikli aletlerin bakımını yapın. Hareketli parçaların kusursuz olarak işlev görüp görmediğini ve sıkışıp sıkışmadığını, parçaların hasarlı olup olmadığını ve elektrikli aletin çalışmasını etkileyebilecek tüm diğer koşulları kontrol edin. Elektrikli alet hasarlı ise, kullanmadan önce tamir ettirin. Kazaların çoğu, elektrikli alet bakımının yeterli şekilde yapılmamasından kaynaklanır.
- Kesici aletleri keskin ve temiz tutun. Keskin kesim kenarlarına sahip, bakımı yapılmış kesim aletleri daha az sorun çıkarır ve kontrolü kolaydır.
- Elektrikli aleti, aksesuarlarını ve alet uçlarını vb. çalışma şartlarını ve yapılacak işi dikkate alarak bu talimatlara uygun şekilde kullanın. Elektrikli aletin kullanım amacı dışındaki işlerde kullanılması tehlikeli durumlara neden olabilir.
- Bu 56V elektrikli alet kafası PH1400E yalnızca aşağıdaki EGO aksesuarları ile kullanılabilir:

AKSESUAR TİPİ	MODEL NUMARASI
Kenar Düzeltme Aparatı	EA0800
Fırçalı Kesici	BCA1200
Misinalı Çim Biçme Makinesi	STA1500
Uzatmalı Testere	PSA1000
Uzatmalı Çit Düzeltici	HTA2000

#### AKÜYLE ÇALIŞAN ALETLERİNİN KULLANIMI VE BAKIMI

- Sadece üretici tarafından belirtilen şarj cihazı ile şarj edin. Tek tip aküye uygun olan bir şarj cihazı başka bir akü ile birlikte kullanıldığında yangın riski teşkil edebilir.
- Elektrikli aletleri sadece özel olarak tanımlanmış aşağıda belirtilen aküler ile kullanın. Başka herhangi bir akü ile kullanılması yaralanma ve yangın riskine yol açabilir.

PİL PAKETİ	ŞARJ CİHAZI
BA1120E, BA2240E, BA2800, BA3360, BA4200 (BA3360 ve BA4200 fırçalı kesici ataşmanı ile donatıldığı zaman geçerli değildir)	CH5500E, CH2100E

- Akünün kullanımda olmadığı durumlarda, aküyü ataş, bozuk para, anahtar, çivi, vida veya akü kutupları arasında kısa devre yapabilecek diğer metal nesnelere uzak tutun. Akü terminalerinin birbirinde kısa devre olması yangınlara veya yangına neden olabilir.

- Köttü şartlar altında aküden sıvı akabilir; temas etmekten kaçının. Yanlışlıkla temas edilirse, su ile yıkayın. Sıvı göze temas ederse, ayrıca tıbbi yardım alın. Aküden sızan sıvı tahriş veya yanıklara neden olabilir.

#### SERVİS

- Elektrikli aletlerinizin bakımını uzman bir tamirciye ve sadece aynı yedek parçaların kullanılarak yaptırın. Bu, elektrikli aletin emniyetinin korunmasını sağlayacaktır.
- Bu kılavuzda yer almayan durumlar meydana gelirse, dikkatli ve sađduyulu davranın. Yardım için EGO Servis Merkeziyle irtibata geçin.

#### BU TALİMATLARI SAKLAYIN!

#### EK ÖZEL GÜVENLİK KURALLARI İLGİLİ AKSESUARIN KULLANICI KILAVUZUNDA BULUNABİLİR

#### TEKNİK ÖZELLİKLER

Voltaj	56 V ---
Ağırlık (pil paketi hariç)	2,73 kg

#### AMBALAJ LİSTESİ

PARÇAADI	MİKTAR
Elektrikli Alet Kafası	1
Ayarlanabilir Ön Yardım Kolu	1
Omuz Askısı	1
Kullanma kılavuzu	1

## AÇIKLAMA

### ELEKTRİKLİ ALET KAFANIZI TANIYIN (Şek. A)

1. Hava Çıkışı
2. Hava Girişi
3. Arka Tutma Sapı
4. Kilitleme Düğmesi
5. Yüksek/düşük Hız Anahtarı
6. Sınır Halkası
7. Ayarlanabilir Ön Yardım Kolu
8. Kuplör
9. Şaft Çıkarma Düğmesi
10. Kelebek Düğmesi
11. Bariyer Çubuğu
12. Tetikleyici
13. PİL Çıkarma Düğmesi
14. Kauçuk Ped Koruma
15. Mandal
16. Elektrik Kontaktları
17. Çıkarma Mekanizması
18. Omuz Askısı (özel aksesuar)

## MONTAJ

**⚠ UYARI:** Hasarlı veya eksik parça varsa, bu parçaları değiştirilinceye kadar ürünü çalıştırmayın. Bu ürünün hasarlı veya eksik parçalar ile kullanılması ciddi kişisel yaralanmalara yol açabilir.

**⚠ UYARI:** Parçaları monte ederken, ayar yaparken, temizlikten önce ve ürün kullanımda değİlken daima aküyü üründen çıkarın.

### ELEKTRİKLİ ALET KAFASINA BİR AKSESUAR TAKMA

**⚠ UYARI:** Bu elektrikli alet kafasında kullanılan her bir opsiyonel aksesuar için tüm Kullanım Kılavuzu'nu okuyun ve anlayın ve de tüm uyarı ve talimatları takip edin. Talimatların tamamına uyulmaması elektrik çarpması, yangın ve/veya ciddi yaralanma ile sonuçlanabilir.

**⚠ UYARI:** Bu 56V elektrikli alet kafası PH1400E sadece bu Kullanım Kılavuzu'nda veya daha sonra bu elektrikli alet kafası için EGO tarafından sunulan alet modelleri ile kullanılmak üzere tasarlanmıştır. İzinsiz herhangi bir başka aksesuarla kullanılması ciddi kişisel yaralanmalara veya maddi hasara neden olabilir.

TR

**⚠ UYARI:** Elektrikli alet kafası çalışırken veya akü takılı halde iken asla bir aksesuar takmayın, çıkarmayın veya ayarlamayın. Motoru durdurulmaması ve akünün çıkarılmaması ciddi yaralanmalara neden olabilir. **ELEKTRİKLİ ALET KAFASINI ASLA BİR AKSESUAR OLMADAN ÇALIŞTIRMAYIN.**

Aksesuar bir bağlantı cihazı vasıtasıyla elektrikli alet kafasına bağlanır.

1. Motoru durdurun ve aküyü çıkarın.
2. Kanat düğmesini gevşetin.
3. Aksesuardan uç kapağını çıkarın. Aksesuar şaftındaki ok ile kuplördeki oku hizalayın ve aksesuar şaftını kuplöre doğru, aksesuar şaftının yerine oturduğunu gösteren bir "klik" sesi duyulana kadar itin (Şek. B).

Şek. B parça açıklaması aşağıdaki gibidir:

B-1	Aksesuar Şaftı	B-4	Kuplördeki Ok
B-2	Aksesuar Şaftındaki Ok	B-5	Şaft Çıkarma Düğmesi
B-3	Kanat Düğmesi	B-6	Elektrikli Alet Kafasının Şaftı

4. Emniyetli bir şekilde kuplöre kilitletiğinden emin olmak için şaftı aksesuardan çekin. Yerine oturmamışsa, oturana kadar kuplörde aksesuarı bir yandan diğerine çevirin.
5. Güvenli bir şekilde kelebek düğmesini sıkın.

**⚠ UYARI:** Cihazı tamamen çalıştırmadan önce kanat düğmesinin tamamen sıkılmış olduğundan emin olun; ciddi yaralanmalara yol açmamak için kullanım sırasında sıklığını düzenli olarak kontrol edin.

### ELEKTRİKLİ ALET KAFASINDAN BİR AKSESUAR ÇIKARMA

1. Motoru durdurun ve aküyü çıkarın.
2. Kanat düğmesini gevşetin.
3. Şaft çıkarma düğmesine basın, düğme basılı iken aksesuarı kuplörden çıkarın veya döndürün.

### ÖN YARDIM KOLONUN TAKILMASI VE AYARLANMASI

1. Motoru durdurun ve takılı ise aküyü çıkarın.
2. Ayarlanabilir ön yardım kolunu (Şek. C) ayırmak için kelebek somununu gevşetin.

Şek. C parça açıklaması aşağıdaki gibidir:

C-1	Kilitleme Sapı	C-3	Bariyer Çubuklu Ön Yardım Kolu
C-2	Sıkıştırma Bloğu	C-4	Kelebek Somunu

- Sınır halkası ve kuplörün arasındaki şafta ön yardım kolunu itin (Şek. D).
- Sap yuvasına sıkıştırma bloğunu sokun (Şek. E).
- Kilitleme sapını monte edin ve kelebek somunu ile bunları önceden sıkın. Ön ayar kolunun yukarı doğru durduğundan ve arka tutma yerinin üstüne doğru baktığından emin olun (Şek. F).
- Çalışma esnasında ön kolunuzun düz olduğundan emin olmak için sınır halkası ve kuplör arasındaki ön yardım kolunu ayarlayın (Şek. G).

Şek. G parça açıklaması aşağıdaki gibidir:

G-1	OK	G-2	Sınırlandırma Aralığı
-----	----	-----	-----------------------

- Ve daha sonra kilitleme sapının kolunu kilitleyin (Şek. H).

**UYARI:** Aleti asla ön yardım kolu düzgün şekilde takılı değilken kullanmayın.

**UYARI:** Ön yardım kolunu sadece sınır halkası ve kuplör arasına sabitleyin.

### OMUZ ASKISININ MONTAJI

Aski kancasına basarak açın ve elektrikli alet başlığında yer alan omuz askısının monte edildiği askıya takın (Şek. I).

### ÇALIŞTIRMA

**UYARI:** Ürüne aşına olmanız sizi dikkatsiz yapmasın. İkinci dereceden bir dikkatsizliğin ciddi yaralanmalara neden olmak için yeterli olduğunu unutmayın.

**UYARI:** Daima koruyucu gözlük takın. Böyle yapılmaması sonucu gözlerinize fırlayan nesnelere ciddi yaralanmalara neden olabilir.

**UYARI:** Bu ürünün üreticisi tarafından önerilmeyen ek parça veya aksesuarları kullanmayın. Önerilmeyen parça veya aksesuarların kullanılması ciddi kişisel yaralanmalara neden olabilir.

**UYARI: ELEKTRİKLİ ALET KAFASINI ASLA BİR AKSESUAR OLMADAN ÇALIŞTIRMAYIN.**

### AKÜNÜN TAKILMASI/ÇIKARILMASI

**NOT:** İlk kez kullanmadan önce aküyü tamamen şarj edin.

### Montaj

Akünün çıkıntıları ile montaj yuvalarını hizalayın ve "klik" sesi duyuncaya kadar aküyü aşağıya bastırın (Şek. J).

Şek. J parça açıklaması aşağıdaki gibidir:

J-1	Montaj Yuvası
J-2	Akünün Çıkıntısı

### Sökme

Akü çıkarma düğmesine basın ve aküyü çekip çıkarın (Şek. K).

**UYARI:** Aleti taşıırken veya naklederken, ciddi yaralanma meydana gelmesini önlemek için her zaman aküyü çıkarın ve ellerinizi kilitleme düğmesi ve tetikten uzak tutun.

### ELEKTRİKLİ ALET KAFASINI ÇALIŞTIRMA/ DURDURMA (Şek. L)

#### Başlatmak için

Kilitleme düğmesine basın ve basılı tutun. Elektrikli alet kafasını açmak için tetiğe basın. Tetiğe farklı baskı düzeylerinde basılması elektrikli alet kafasının farklı dönüş hızlarında dönmelerini sağlar. Ne kadar güçlü basılırsa hız o kadar artar.

#### Durdurmak için

Tetiği bırakın.

**UYARI:** Motor sadece kilitleme kolu ve tetiğin her ikisi de basıldığında çalışır.

#### Hız Ayar Fonksiyonu (Şek. L)

Elektrikli alet kafasının iki hız ayarı vardır. "1" pozisyonu düşük hız için, "2" pozisyonu ise yüksek hız içindir. Çalışma sırasında uygun hızı seçmek için yüksek/düşük hız anahtarını itin veya çekin.

Şek. L parça açıklaması aşağıdaki gibidir:

L-1	Yüksek/Düşük Hız Anahtarı
L-2	Kilitleme düğmesi
L-3	Tetik

### BAKIM

**UYARI:** Ünitenin denetim, temizlik veya bakımından önce motoru durdurun ve tüm hareketli parçaların durmasını bekleyin, ardından aküyü çıkarın. Bu talimatlara uyulmaması ciddi kişisel yaralanmalar veya maddi hasara yol açabilir.

**⚠ UYARI:** Bakım ve onarım sırasında birbir aynı yedek parçaları kullanın. Diğer parçaların kullanılması tehlike oluşturabilir veya ürünün hasar görmesine neden olabilir. Güvenliği ve güvenilirliği sağlamak için, tüm onarım işlemleri yetkili bir servis teknisyeni tarafından gerçekleştirilmelidir.

**DİKKAT:** Her kullanımdan önce ürünü inceleyerek hasarlı, eksik veya vida, somun, cıvata, kapak vb. gevşek parça olup olmadığını kontrol edin. Tüm bağlantı parçalarını ve kapakları düzgünce sıkın, bu ürünü eksik veya hasarlı parçalar tamamlanmadan çalıştırmayın. Müşteri hizmetleri veya kalifiye bir servis teknisyeni ile irtibata geçin.

## GENEL BAKIM

Plastik parçaları temizlerken çözücü maddeler kullanmaktan kaçının. Plastikler çeşitli ticari çözücü türlerinden kötü yönde etkilenmeye yatkındır ve kullanılmaları durumunda zarar görebilirler. Kir, toz, yağ, gres, vb. gidermek için temiz bez kullanın.

## ELEKTRİKLİ ALET KAFASININ TEMİZLENMESİ

1. Motoru durdurun ve aküyü çıkarın.
2. Yumuşak bir deterjanlı nemli bir bezle elektrikli alet kafasından kir ve kalıntıları temizleyin.

**DİKKAT:** Plastik gövde veya tutma kolu üzerinde güçlü deterjanlar kullanmayın. Çam ve limon gibi belirli aromatik yağlar bu yüzeylere zarar verebilir.

## ELEKTRİKLİ ALET KAFASININ SAKLANMASI

1. Saklamadan önce elektrikli alet kafasından aküyü çıkarın.
2. Elektrikli alet kafasından tüm yabancı maddeleri temizleyin.
3. Aleti çocukların ulaşamayacağı kapalı bir yerde saklayın.
4. Bahçe kimyasalları ve eritici tuzlar gibi aşındırıcı maddelerden uzak tutun.

## Çevre koruması



Elektrikli cihazları, pil şarj cihazını ve pilleri/şarj edilebilir pilleri evsel atıklarla birlikte atmayın!

AB Yasası 2012/19/EU uyarınca, kullanılmamış durumdaki elektrikli ve elektronik cihazlar ve AB Yasası 2006/66/EC uyarınca, arızalı veya kullanılmış pil paketleri/piller ayrı olarak toplanmalıdır.

Elektrikli cihazlar katı atık sahaları veya çöp toplama alanlarına atılırsa, yer altı sularına ve besin zincirine tehlikeli maddeler sızabilir, bu da sağlığınızın bozulmasına yol açabilir.

## SORUN GİDERME

Uygulanabilir aksesuarın kullanım kılavuzuna bakın.

## GARANTİ

### EGO GARANTİ POLİTİKASI

EGO Garanti politikasına ilişkin tüm hüküm ve koşullar için, lütfen [egopowerplus.com](http://egopowerplus.com) adresindeki web sitemizi ziyaret edin.

01/12/2016

## LUGEGE KÕIKI JUHISEID!



### LUGEGE KASUTUSJUHENBIT

**⚠ Kaasnev risk!** Inimesed, kes kasutavad elektroonilisi seadmeid, nt südamestimulaatorit, peaksid enne selle toote kasutamist konsulteerima oma arstiga. Elektriseadmete kasutamine südamestimulaatori läheduses võib põhjustada südamestimulaatori häireid või rikkeid.

**⚠ HOIATUS:** Ohutuse ja töökindluse tagamiseks tohivad seda seadet remontida ainult vastava kvalifikatsiooniga hooldustehnikud.

## OHUTUSSÜMBOLID

Ohutussümbolite eesmärk on tõmmata teie tähelepanu võimalikele ohtudele. Ohutussümbolitele ja nende juures olevatele seletustele tuleb korralikult tähelepanu pöörata ja need endale selgeks teha. Ohutussümbolid iseenesest ei kõrvalda ohu olemasolu. Nendega kaasnevad juhendid ja hoiatused ei asenda korralikke õnnetuste vältimise meetmeid.

**⚠ HOIATUS:** Enne käesoleva seadme kasutamist lugege kindlasti läbi ja tehke endale selgeks kõik Kasutusjuhendis toodud ohutusjuhised, sh kõik ohutussümbolid nagu „OHT,“ „HOIATUS,“ ja „ETTEVAATUST“. Kui te ei järgi kõiki allpool toodud juhiseid, võib tekkida elektrilöögi, tulekahju ja/või raske kehavigastuse oht.

## SÜMBOLITE TÄHENDUSED

**⚠ TURVATEATE SÜMBOL** Tähistusega OHT, HOIATUS, või ETTEVAATUST. Võidakse kasutada koos teiste sümbolite või piktograafidega.



**⚠ HOIATUS:** Mis tahes elektriliste tööriistade kasutamine võib põhjustada võõrkehade paiskumist silma, mis võib põhjustada tõsiseid silmakahjustusi. Kandke elektriliste tööriistade kasutamise ajal alati kulgkaitsetega kaitseprille ja vajadusel täielikku näokaitset. Soovitame kanda prillide peal laia vaatealaga kaitsemaski või tavalisi kulgkaitsetega kaitseprille.

## OHUTUSJUHISED

Sel lehel on kujutatud ja kirjeldatud ohutusesümboliteid, mida võib käesolevalt tootelt leida. Enne, kui üritate masinat kokku panna ja kasutada, lugege, tehke omale selgeks ja järgige kõiki juhiseid.

	Ohutusteade	Viitab kehavigastuste ohule.
	Lugege kasutusjuhendit	Et vähendada vigastuste ohtu, peab kasutaja enne toote kasutamist lugema kasutusjuhendit ja selle endale selgeks tegema.
	Kandke kaitseprille	Kandke selle toote kasutamise ajal alati kaitseprille või kulgkaitsetega kaitseprille ja täielikku näokaitset.
	CE	Toode vastab rakendatavatele EÜ direktiividele.
	WEEE	Elektritoodete jäätmetest ei tohi vabaneda olmejäätmete seas. Viige heaks kiidetud taaskäitleja juurde.
	Vältige seadme kokkupuudet vihmaga	Ärge kasutage seadet vihmaja ajal ja ärge jätke seadet vihma kätte.
V	volti	Pinge
mm	Millimeeter	Pikkus või suurus
cm	Senti-meeter	Pikkus või suurus
in.	Toll	Pikkus või suurus
kg	Kilogramm	Kaal
lb	Nael	Kaal
	alalisvool	Voolu tüüp või omadus

### ÜLDISED MOOTORIGA TÖÖRIISTADE HOIATUSED

**⚠ HOIATUS:** Lugege läbi kõik turvalisusega seotud hoiatused ja juhised. Kui te ei arvesta allpool toodud hoiatusi ja juhiseid, võib tekkida elektrilöögi, tulekahju ja/või raske kehavigastuse oht.

## Säilitage hoiatused ja juhised hilisemaks kasutuseks.

Hoiatustes kasutatud termin "mootoriga tööriist" viitab voolu jõul (juhtmega) töötavale mootoriga tööriistale või aku jõul töötavale (juhtmeta) tööriistale.

## TÖÖPIIRKONNA OHUTUS

- **Tööpiirkond peab olema puhas ja hästi valgustatud.** Segadus või valgustamata tööpiirkonnad suurendavad õnnetuste tõenäosust.
- **Ärge kasutage elektrilisi tööriistu plahvatusohtlikus keskkonnas, kus leidub nt tuleohtlikke vedelikke, bensiini või tolmu.** Mootoriga tööriistad tekitavad sädemeid, mis võivad süüdata tolmu või aurusid.
- **Mootoriga tööriistadega töötamisel hoidke lapsed ja kõrvalseisjad eemal.** Tähelepanu hajumisel võite kaotada kontrolli seadme üle.

## ELEKTRILINE OHUTUS

- **Elektrilised tööriistad tuleb ühendada sobivasse pistikupessa.** Ärge kunagi muutke pistikut mitte mingil viisil. Ärge kasutage koos maandatud elektriliste tööriistadega mingisuguseid üleminekuadaptereid. Muutmata pistikud ja sobivad pistikupesad vähendavad elektrilöögi ohtu.
- **Vältige kehalist kontakti maandatud pindadega (nt torud, radiaatorid, katted, külmikud).** Kui teie keha on maandatud, suureneb elektrilöögi oht.
- **Ärge jätke elektrilisi tööriistu vihma kätte ega niisketesse tingimustesse.** Vee sattumine elektrilise tööriista sisse suurendab elektrilöögi ohtu.
- **Ärge rikkuge juhet.** Ärge kasutage juhet elektritööriista kandmiseks või tõmbamiseks ja ärge tõmmake juhtmest, kui soovite pistikut pistikupesast eemaldada. Vältige juhtme kokkupuudet kuumade objektide, õli, teravate äärte või liikuvate osadega. Kahjustatud või puntras juhtmed suurendavad elektrilöögi ohtu.
- **Elektrilise tööriistaga välitingimustes töötamiseks kasutage välitingimustesse sobivat pikendusjuhet.** Välitingimustesse sobiva juhtme kasutamine vähendab elektrilöögi ohtu.
- **Kui peate kindlasti tööriista märjas kohas kasutama, kasutage seadet, millel on maandusrikke katkestus.** Maandusrikke katkestusega seadme kasutamine vähendab elektrilöögi ohtu.

## ISIKLIK OHUTUS

- **Olge tähelepanelik, töötage hoolikalt ja kasutage tervet mõistust.** Ärge kasutage elektrilist tööriista, kui olete väsinud või tarvitanud narkootikume, alkoholi või ravimeid. Vaid hetkeline tähelepanematus mootoriga tööriista kasutamisel võib põhjustada raskeid kehavigastusi.
  - **Kasutage isikukaitsevahendeid. Kandke silmakaitsevahendeid.** Töötingimustele vastava kaitsevarustuse (nt tolmumaski, mittelibisevate turvakingade, tugeva peakatte või kuulmiskaitsete) kasutamine vähendab kehavigastuste ohtu.
  - **Vältige soovimatut käivitumist. Veenduge, et lüliti on mitteaktiivses asendis enne kui ühendate vooluvõrgu või akuplokki ning enne seadme kandmist või üles tõstmist.** Elektritööriistade kandmine sõrme lülil hoides või aktiivses olekus lülitiga põhjustab õnnetusi.
  - **Enne tööriista sisselülitamist eemaldage sellelt kohandusvõtmed ja mutrivõtmed.** Tööriista pöörleva osa külge unustatud tööriistad võivad põhjustada kehavigastusi.
  - **Ärge küünitage liiga kaugele.** Töötage ainult kindlal maapinnal ja kohtades, kus pole ohtu tasakaalu kaotada. Nii säilitate tööriista üle ootamatutes olukordades parema kontrolli.
  - **Riietuge asjakohaselt.** Ärge kandke ehteid ega avaraid riideid. Vältige oma juuste, riiete ja kinnaste kokkupuudet liikuvate osadega. Liiga avarad riided, ehted ja pikad juuksed võivad liikuvate osade vahele kinni jääda.
  - **Kui tootega on kaasas vahendid tolmukogumis- ja väljavõtuseadmete ühendamiseks, veenduge, et need seadmed on korralikult ühendatud ja korrektses kasutuses.** Tolmukogumisseadmete kasutamine vähendab tolmuga seotud ohtusid.
- ## AKUSEADMETE KASUTAMINE JA HOOLDUS
- **Ärge rakendage tööriista kasutamisel jõudu.** Kasutage konkreetseks tööks sobivat tööriista. Sobiva tööriistaga sobival kiirusel töötades, saate töö valmis kiiresti ja ohutult.
  - **Ärge kasutage tööriista, mida ei saa lülitist sisse ja välja lülitada.** Elektrilised tööriistad, mille lüliti ei tööta, on ohtlikud ja tuleb parandada.
  - **Eemaldage juhe vooluvõrgust ja/või akuplokk seadme küljest enne kui alustate seadme kohandamist, lisakomponentide lisamist või eemaldamist ja enne kui hakkate seadet hoistama.** Need ohutusmeetmed vähendavad seadme tahtmatu käivitamise võimalust.

- **Tööriistu, mida te hetkel ei kasuta, hoidke laste kättesaamatus kohas ning ärge lubage nendega töötada isikutel, kes pole tööriistade tööpõhimõtetega või käesoleva juhendiga tutvunud.** Koolitamata isikute käes on elektrilised tööriistad ohtlikud.
- **Akuseadmete hooldamine** Kontrollige, kas komponendid on korrektselt joondatud ja ega ükski osa paindunud pole ning jälgige ka muid aspekte, mis võiksid tööriista omadusi mõjutada. Kahjustuste leidmisel laske tööriist enne järgmist kasutust remontida. Paljude õnnetuste põhjuseks on kehvasti hooldatud tööriistad.
- **Hoidke oma tööriistu teravate ja puhastena.** Korralikult hooldatud ja teravate servadega lõikeääred ei paindu nii kergesti ja on lihtsamini juhitavad.
- **Kasutage tööriista, selle lisakomponente, tööriistaosi jm vastavalt käesolevale juhendile, võttes arvesse töötingimusi ja teostatavat tööd.** Tööriista mitte-eesmärgipärane kasutamine võib põhjustada ohtlikke olukordi.
- **Seda 56 V PH1400E toitepead saab kasutada vaid järgmiste EGO tarvikutega:**

TARVIKU TÜÜP	MUDELI NUMBER
Servalõikur	EA0800
Võsalõikur	BCA1200
Trimmer	STA1500
Pikendusvarrega saag	PSA1000
Pikendusvarrega hek- itrimmer	HTA2000

#### AKUSEADMETE KASUTAMINE JA HOOLDUS

- **Kasutage laadimiseks ainult tootja poolt ette nähtud laadijaid.** Akulaadija, mis sobib teatud tüüpi akuplokile, võib põhjustada tulekahju ohtu, kui seda kasutada mõne teise akuplokiga.
- **Kasutage elektrilisi tööriistu ainult nende jaoks ette nähtud akuplokkidega, mis on loetletud allpool.** Mõne muu akuploki kasutamine võib põhjustada vigastuste ja tulekahju ohtu.

AKU	LAADIJA
BA1120E, BA2240E, BA2800, BA3360, BA4200 (BA3360 & BA4200 ei ole rakendatavad, kui kasutusel on võsalõikuri tarvik)	CH5500E, CH2100E

- **Kui akut ei kasutata, hoidke seda eemal muudest metallesemetest nagu kirjaklambritest, müntidest, võtmetest, naeltest, kruvidest ja muudest väikestest metallesemetest, mis võivad klemmide vahel ühenduse luua.** Aku klemmide lühiühendus võib põhjustada põletushaavu ja tulekahju ohtu.
- **Valedes tingimustes kasutamisel võib akut vedelikku välja tulla; vältige kokkupuudet sellega.** Kokkupuute tekkimisel loputage veega. Kui vedelik satub silma, pöörduge lisaks ka arsti poole. Akust väljuv vedelik võib põhjustada ärritust või põletusi.

#### HOOLDUS

- **Laske oma akutööriista hooldada kvalifitseeritud remonditehnikul, kes kasutab ainult identseid originaalvaruosi.** See tagab akuploki ohutuse säilimise.
- Kui esineb olukordi, mis pole käesolevas juhendis kirjeldatud käituge hoolsalt ja lähtuge tervest mõistusest. Küsige abi EGO hoolduskeskusest.

#### HOIDKE SEE KASUTUSJUHEND ALLES

#### TÄIENDAVAD OHUTUSREEGLID LEIATE VASTAVA TARVIKU KASUTUSJUHENDIST

#### SPETSIFIKATSIOONID

Pinge	56 V ---
Mass (ilma akuplokita) (möödetud vastavalt 2000/14/EN)	2,73 kg

#### PAKENDI LOEND

OSA NIMI	KOGUS
Toitepea	1
Kohandatav eesmine abikäepide	1
Õlarihm	1
Kasutusjuhend	1

## KIRJELDUS

### TUNNE OMA TOITEPEAD (joon. A)

1. Õhu väljalaskeava
2. Õhu sissevõtuava
3. Tagumine käepide
4. Lukustusnupp
5. Kiire/madala kiiruse nupp
6. Künnerõngas
7. Kohandatav eesmine abikäepide
8. Haakeseadis
9. Võlli vabastusnupp
10. Tiibnupp.
11. Tõkkelatt
12. Päästik
13. Akuvabastusnupp
14. Kummipadjast kaitse
15. Riiv
16. Elektrikontaktid
17. Väljutusmehhanism
18. Õlarihm (täiendav tarvik)

## SEADE

**⚠ HOIATUS:** Kui mõni osa on kahjustatud või puudub, ärge kasutage seadet enne kui see osa on parandatud. Kasutades kahjustatud või vajalike komponentideta seadet, võite saada raskeid vigastusi.

**⚠ HOIATUS:** toote kokkupanemise, kohandamise, puhastamise või mittekasutamise ajaks tuleb akuplokk alati eemaldada.

### TARVIKU TOITEPEAGA ÜHENDAMINE

**⚠ HOIATUS:** lugege ja mõistke kõigi valikuliste tarvikute kasutusjuhendeid ja järgige kõiki hoiatusi ja juhiseid. Kui kõiki juhiseid ei järgita, võib tagajärjeks olla elektrilöökk, tulekahju ja/või tõsised isikuvigastused.

**⚠ HOIATUS:** See 56 V PH1400E toitepea on mõeldud kasutamiseks vaid käesolevas kasutusjuhendis loetletud EGO tarvikutega või tarvikutega, mis on hiljem EGO toitepea jaoks loodud. Teiste, lubamatute, tarvikute kasutamine võib tekitada tõsiseid vigastusi isikutele või varale.

ET

**⚠ HOIATUS:** Ärge kunagi paigaldage, eemaldage või reguleerige ühtegi lisaseadet kui mootor töötab või aku on paigaldatud. Mootori peatamata jätmine või aku eemaldamata jätmine võib põhjustada tõsiseid vigastusi. **ÄRGE KUNAGI KASUTAGE TOITEPEAD ILMA TARVIKUTA**

Tarvik ühendatakse toitepeaga haakeseadme abil.

1. Seisake mootor ja eemaldage akupakk.
2. Vabastage tiibnupp.
3. Eemaldage tarviku kate. Joondage tarviku võllik asuv nool haakeseadel oleva noolega ja suruge tarvik võlli haakeseadmesse, kuni kuulete klõpsu, mis annab märku tarviku kinnitumisest (joon. B).

Joonise B osade kirjeldus:

B-1	Tarviku võll	B-4	Haakeseadel asuv nool
B-2	Tarviku võllili asuv nool	B-5	Võlli vabastusnupp
B-3	Tiibnupp	B-6	Toitepea võll

4. Tõmmake tarviku võlli, et veenduda tugevast ühendusest haakeseadmega. Vajadusel pöörake tarviku võlli küljelt-küljele, kuni see kohale napsab.
5. Pingutage tiibnupp tugevalt.

**⚠ HOIATUS:** veenduge enne seadmete kasutamist, et tiibnupp on pingul, kontrollige seda perioodiliselt ka kasutamise ajal, sest sedasi ennetate võimalikke vigastusi.

### TARVIKU TOITEPEALT EEMALDAMINE

1. Seisake mootor ja eemaldage akupakk.
2. Vabastage tiibnupp.
3. Hoidke võlli vabastusnuppu all ja tõmmake või pöörake tarviku võll haakeseadmest välja.

### EESMISE ABIKÄEPIDEME PAIGALDAMINE JA KOHANDAMINE

1. Seisake mootor ja eemaldage paigaldatud akupakk.
2. Vabastage tiibmutter ja eraldage reguleeritav eesmine abikäepide (joon. C).

Joonise C osade kirjeldus, vt allapoole:

C-1	Lukustuspost	C-3	Eesmine käepide koos tõkkelatiga
C-2	Klambriblokk	C-4	Tiibmutter

3. Suruge eesmine abikäepide võllile läve rõnga ja haakeseadme vahele (joon. D).



4. Sisestage klambriblokk käepideme pesasse (joon. E).
5. Kinnitage lukustuspost ja eelpingutage need tiibmutriga. Veenduge, et eesmine abikäepide on suunaga ülespoole ja tagumise käepideme ülaosa suunas (joon. F).
6. Kohandage eesmist abikäepidet läve rõnga ja haakeseadme vahel ning veenduge, et saate kätt kasutamise ajal sirgelt hoida (joon. G).

Joonise G osade kirjeldus, vt allapoole:

G-1	Nool	G-2	Ettenähtud vahemik
-----	------	-----	--------------------

7. Seejärel lukustage lukustusposti hoo (joon. H)

**HOIATUS:** ärge kasutage tööriista ilma tugevalt kinnitatud eesmise abikäepidemeta.

**HOIATUS:** eesmist abikäepidet tohib paigaldada vaid läve rõnga ja haakeseadme vahele.

### ÖLARIHMA PAIGALDAMINE

Vajutage rihma haagile, et see avada, ja ühendage see ölarihma paigalduskinnitusega toitepea küljes (vt joon. I).

## KASUTAMINE

**HOIATUS:** Ärge muutuge toodet tundma õppides hooletuks. Pidage meeles, et raskeid vigastusi põhjustavaks õnnetuseks piisab ka sekundi murdosa pikkusest tähelepanematusesest.

**HOIATUS:** kandke silmakaitsevahendeid. Vastasel juhul võivad esemed silma lenduda ja tekitada silma- või teisi tõsiseid kahjustusi.

**HOIATUS:** Ärge kasutage lisaseadmeid või -tarvikuid, mida selle seadme valmistaja pole soovitanud. Mittesoovituslike lisaseadmete või -tarvikute kasutamine võib põhjustada raskeid kehavigastusi.

**HOIATUS: ÄRGE KUNAGI KASUTAGE TOITEPEAD ILMA TARVIKUTA.**

### AKUPLOKI PAIGALDAMINE/EEMALDAMINE

**MÄRKUS:** laadike akupakk enne esimest kasutuskorda täielikult.

#### Paigaldamiseks

Joondage aku ribad paigaldussoontega ja suruge akuploki alla kuni kuulete klõpsatust (joon. J).

Joonise J osade kirjeldus, vt allapoole:

J-1	Kinnitusava
J-2	Ribi

### Eemaldamiseks

Vajutage akuvabastusnuppu ja tõmmake akupakk välja (joon. K).

**HOIATUS:** tõsiste vigastuste vältimiseks eemaldage enne tööriista kandmist või transportimist alati akupakk ja hoidke käed eemal lukustusnupust ja päästikust.

### TOITEPEA KÄIVITAMINE/PEATAMINE (Joon. L)

#### Käivitamine

Vajutage lukustusnuppu ja hoidke seda all. Toitepea käivitamiseks vajutage päästikule. Toitepea pöörlemiskiirus sõltub sellest, kui tugevalt te päästikut vajutate. Tugevam surve tekitab suurema kiiruse.

#### Peatamine:

Vabastage päästik.

**MÄRKUS:** Mootor töötab vaid siis, kui nii lukustushoob kui ka päästik on alla vajutatud.

#### Kiiruse reguleerimine (joon. L)

Toitepeal on kaks kiirust. Asend „1“ tähistab madalat kiirust ja asend „2“ kiiremat kiirust. Lükake või tõmmake kiire/madala kiiruse lüliti, et valida töö jaoks sobiv kiirus.

Joonise L osade kirjeldus:

L-1	Kiire/madala kiiruse lüliti
L-2	Lukustusnupp
L-3	Päästik

## HOOLDUS

**HOIATUS:** enne seadme kontrolli, puhastamist või hooldust tuleb mootor peatada ja oodata kõigi liikuvate osade peatumist ja eemaldada akupakk. Juhiste mittejärgimine võib põhjustada tõsise vigastuse või varalise kahju.

**HOIATUS:** Remontimisel kasutage vaid originaalvaruosid. Kontrollige ja hooldage seadet regulaarselt. Ohutuse ja töökindluse tagamiseks tohivad seda seadet remontida ainult vastava kvalifikatsiooniga hooldustehnikud.

**MÄRKUS:** Enne igakordset kasutamist kontrollige, et seadmel poleks kahjustatud, puuduvaid ega lahtiseid detaile, kruvisid, mutreid, polte jm. Tugevdage kõik kinnitused ja ärge kasutage seadet kuni kõik puuduvad või kahjustatud osad on asendatud. Võtke ühendust klienditeeninduse või vastava kvalifikatsiooniga hooldustehnikuga.

## ÜLDINE HOOLDUS

Vältige plastosade kasutamisel lahustite kasutamist. Enamik plastmasse on kaubanduslike lahustite suhtes tundlikud ja võivad nende kasutamisel kahjustada saada. Kasutage mustuse, tolmu, õli, rasva jm eemaldamiseks puhast lappi.

## TOITEPEA PUHASTAMINE

1. Seisake mootor ja eemaldage akupakk.
2. Kasutage toitepealt mustuse ja jääkide eemaldamiseks niisket lappi ja õrnatoimelist puhastusainet.

**MÄRKUS:** Ärge kasutage plastmasskomponentide või käepideme puhastamiseks tugevatoimelisi puhastusaineid. Seadme osi võivad kahjustada teatud aromaatsed õlid (nt männi- või sidruniõli).

## TOITEPEA HOIUSTAMINE

1. Eemaldage enne hoiustamist toitepea akupakk.
2. Puhastage toitepealt mistahes võõrmaterjal.
3. Hoidke seda sisetingimustes ja lastele kättesaamatus kohas.
4. Hoidke seda eemal korrodeerivatest ainetest (nt aiakemikaalid ja jääsulatussoolad).

## Keskkonnakaitse



Ärge visake elektriseadmeid, akulaadijat ega patareisid / akusid olmeprügi hulka! Vastavalt Euroopa Liidu eriaruandele nr 2012/19/EÜ tuleb elektri- ja elektroonikaseadmed, mis pole enam kasutatavad, ning, vastavalt direktiivile 2006/66/EÜ, ka defektsed või kasutatud akuplokid / patareisid, eraldi kokku koguda.

Kui elektriseadmed maetakse maa sisse või viiakse prügimäele, võivad ohtlikud ained põhjavele lekkida ja toiduahelasse sattuda ning kahjustada teie tervist ja heaolu.

## TÕRKEOTSING

Vaadake asjakohase tarviku kasutusjuhendit.

## GARANTII

### EGA GARANTIIPÕHIMÕTTED

Täielikud EGO garantiitingimused leiате veebilehelt [egopowerplus.com](http://egopowerplus.com).

01/12/2016

