



Technical data

Column Range	3	Input Voltage	100-240V
Max. Weight Capacity	125KG	Max. Speed	38mm/s
Height Range	600-1200mm	Temperature	0-40°C
Weight Range	1100-1600mm	Construction	CE, FCC, CUL
Duty Cycle	10%, Max. 2 min on Min. 10 min off		

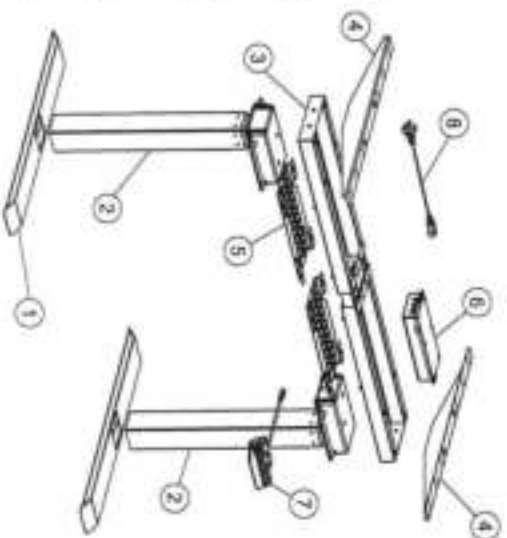
Accessory list

Attention: The drawings below are only for reference which might be slightly different from the actual object, please to read manual. Any loose missing or installation problems, please contact the customer service firstly.

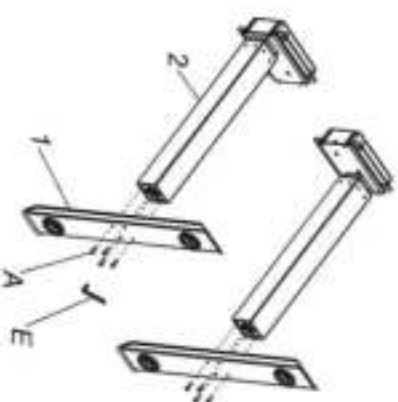
No.	Image	Spec	Qty
A		M6*15mm	9
B		51x 3.2/3mm	26
C		M6*15mm	8
D		Adhesive Pad	6
E		Allen Key / Allen Key Adapters / 30mm	1

Component list

No.	Part	Qty	No.	Part	Qty
①	Foot	2	②	Lifting Column	2
③	Supporting Beam	1	④	Side Bracket	2
⑤	Side Management Tray	2	⑥	Control Box	1
⑦	Level Switch	1	⑧	Power Plug	1

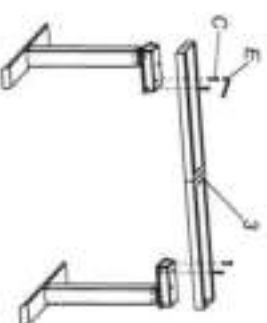


STEP 1



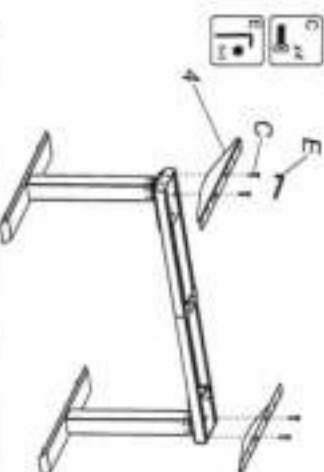
Place the Allen Key (A) on the bottom of the lifting column (2), fix the feet using screws (B) with Allen Key (A).

STEP 2



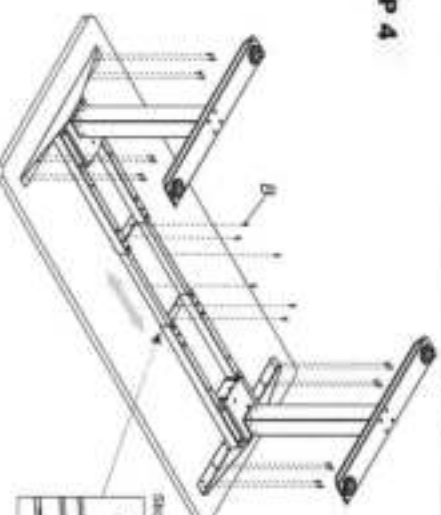
Insert the lifting columns into the ends of the supporting beam (3). fix the lifting columns using screws (C) with the Allen Key (E).

STEP 3



Attach the side bracket (4) to the ends of the supporting beam using screws (C) as show with the Allen Key (E).

STEP 4



Stick the adhesive pad (D).

