



Technical data

Column Stage	3	Lifting Voltage	100-240V
Max. Weight Capacity	125KG	Max. Speed	38mm/s
Height Range	600-1200mm	Temperature	0-40°C
Weight Range	1100-1600mm	Construction	CE FCC GTC
Duty Cycle	10%, Max. 2 min on Min. 10 min off		

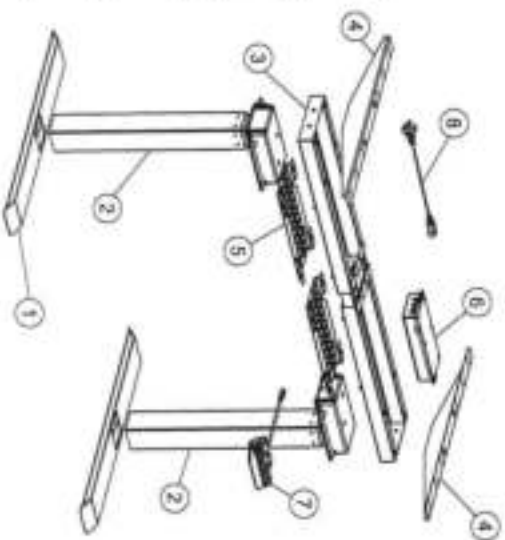
Accessory list

Attention: The drawings below are only for reference which might be slightly different from the actual object, please to read manual. Any loose missing or installation problems, please contact the customer service firstly.

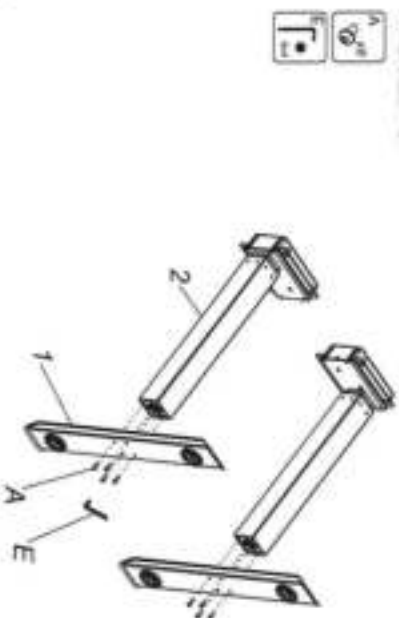
No.	Image	Spec	Qty
A		M6x15mm	9
B		57x320mm	26
C		M8x15mm	8
D		M6x15mm	6
E		M6x15mm	1

Component list

No.	Part	Qty	No.	Part	Qty
①	Foot	2	②	Lifting Column	2
③	Supporting Beam	1	④	Side Bracket	2
⑤	Side Management Tool	2	⑥	Control Box	1
⑦	Level Switch	1	⑧	Power Plug	1



STEP 1



Place the Adhesive (B) on the bottom of the lifting column(2). Fix the beam using screw(A) with Allen Key(A).

STEP 2



Insert the lifting columns into the ends of the supporting beam(3). Fix the lifting columns using screw(C) with the Allen Key(E).

STEP 3



Attach the side brackets(4) to the ends of the supporting beam using screw(C) as show with the Allen Key(E).

STEP 4

