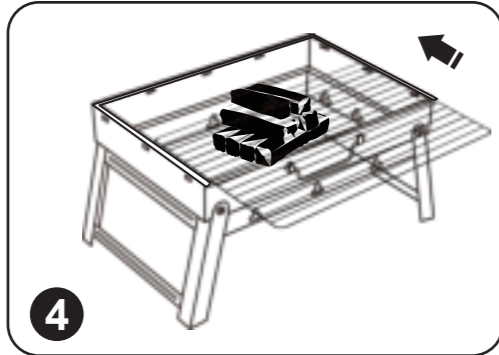
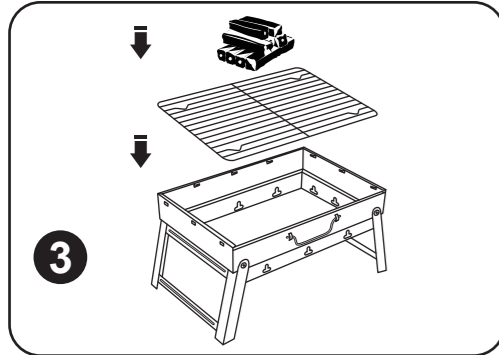
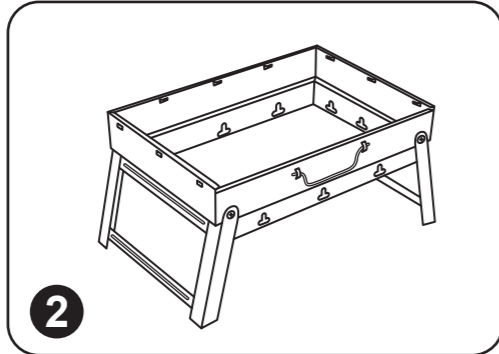
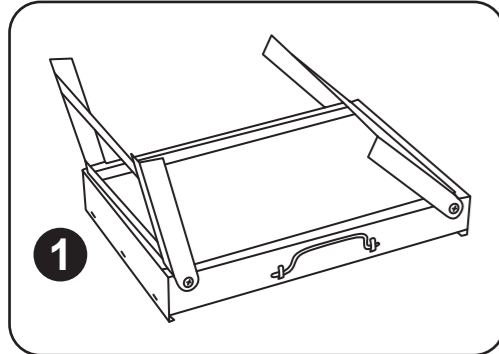


BARBEQUE BBQ



User Manual

IETM NO.:HF-HG02



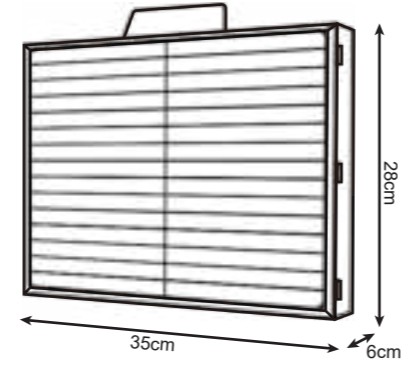
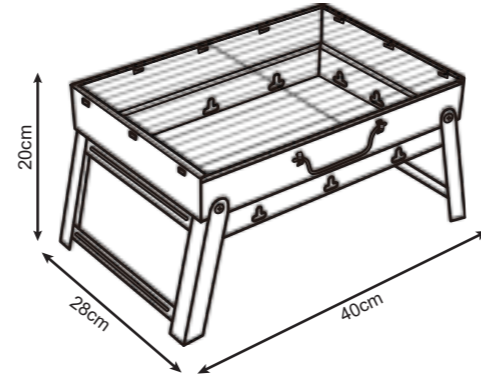
Step 1: Turn the legs of grill till they get locked by the buckles

Step 2: Put the grill on flat ground

Step 3: Put in the charcoal mesh and charcoal

Step 4: Install charcoal grill net

Product Size



⚠ Precautions

1. It cannot be used until all parts are installed.
2. Do not allow children or pets to approach to the grill.
3. Do not move the grill or touch the hot areas during grilling to prevent burns.
4. After finishing grilling, please be sure to extinguish the charcoal.
5. Establish the awareness of environmental protection, please take away the garbage.

Warm Tips

1. Before grilling food, brush a layer of cooking oil on the grill to prevent the food from sticking to the grill net.
2. The withstand temperature of the Charcoal grill is 300°C, It is recommended that the single barbecue time does not exceed 12 hours.



Prohibit the use of corrosive combustion aids, otherwise it will cause the barbecue grill to deform or melt.

EC REP

Firma: LI-MI INTERNATIONAL GMBH

Kontakt: Herr. Reiss

Email: vertretung@li-mi-international.de

Adresse: Melitta-Schiller-Strasse 30, 12526 Berlin, Germany

UK REP

Company: Obero International Ltd

Contact: Mr. Tian

Email: Contact@iobero.com

Address: Unit 1, Kiwi Park Commerce Way, Trafford Park, Manchester, England, M17 1HW

Manufacturer: SHENZHEN RBU TECHNOLOGY GROUP CO., LTD

Address: 9 Tengfei Road, Longcheng Sub-District, Longgang District, Shenzhen, China

Distributor: LI-MI INTERNATIONAL GMBH

Address: Melitta-Schiller-Strasse 30, 12526 Berlin, Germany

Distributor: Obero International Ltd

Address: Unit 1, Kiwi Park Commerce Way, Trafford Park, Manchester, M17 1HW, United Kingdom

Distributor: AGM USA, LLC

Address: 1521 E Francis St, unit a Ontario, CA 91767, United States

For more information please contact us at: service@uten.com



MADE IN CHINA

LOVING BBQ LOVING LIFE