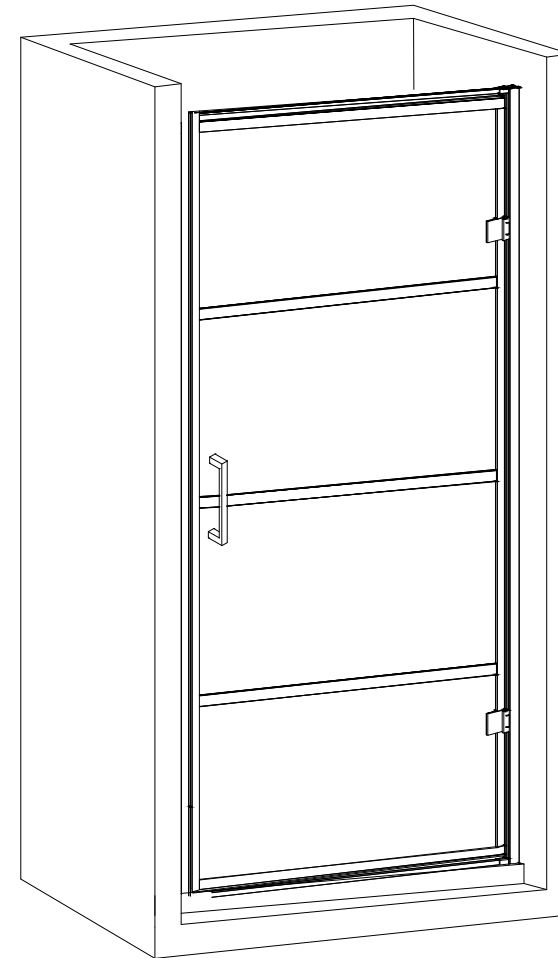
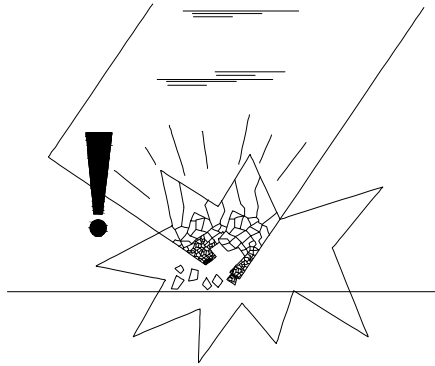
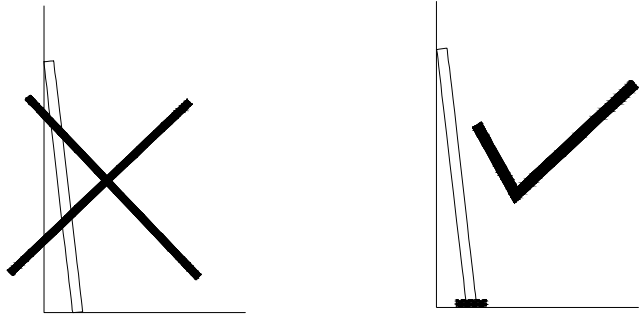
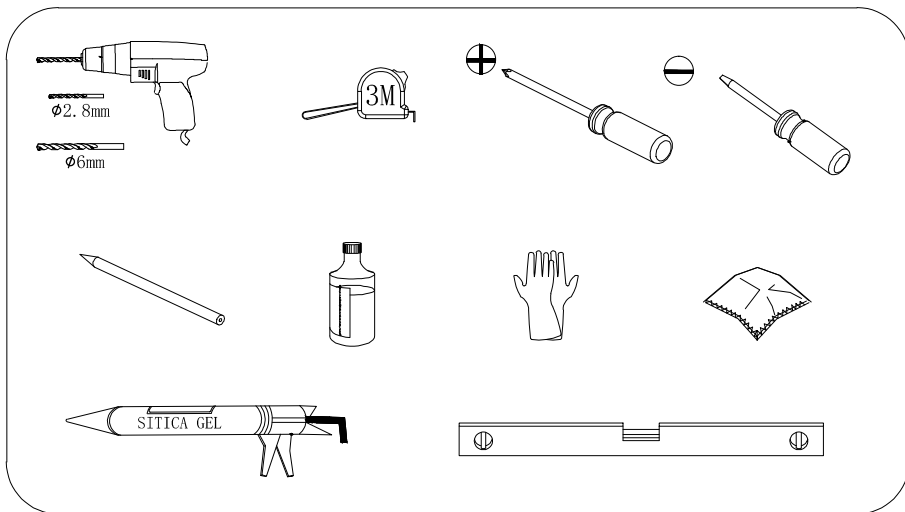


Shower Cabin Installation Manual



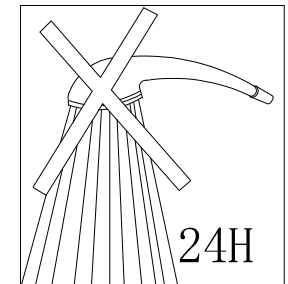
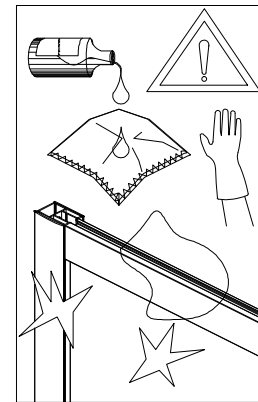
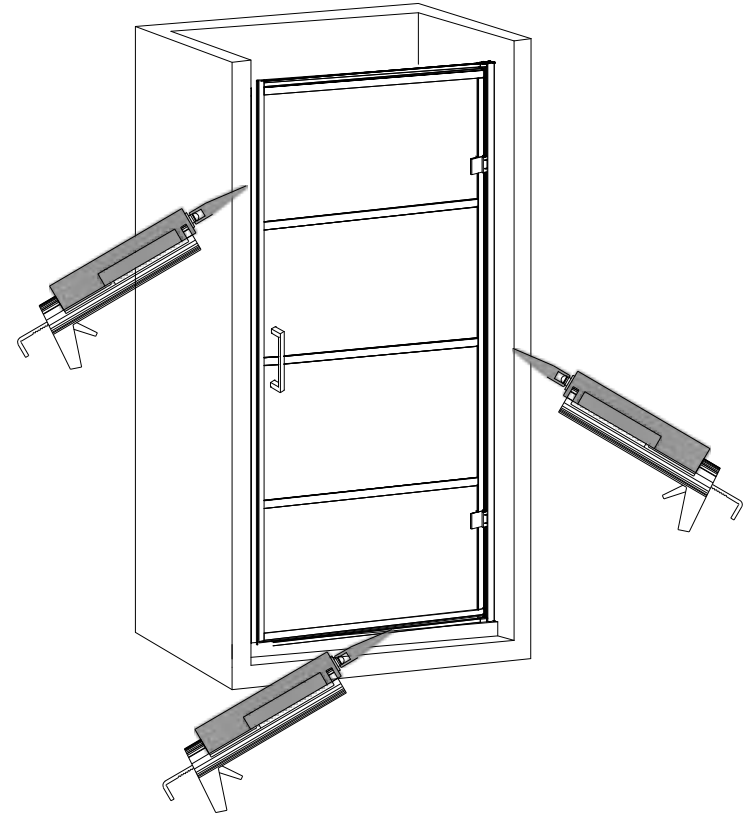


Tool:



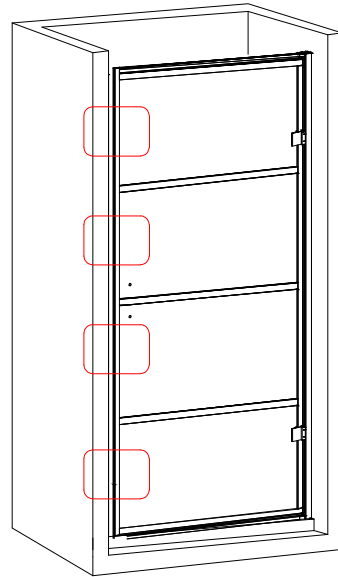
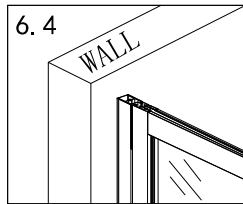
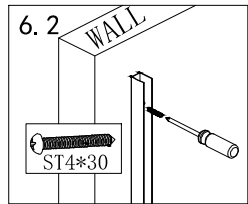
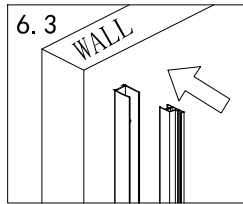
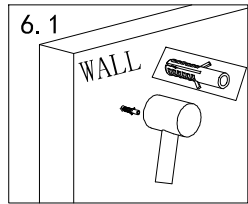
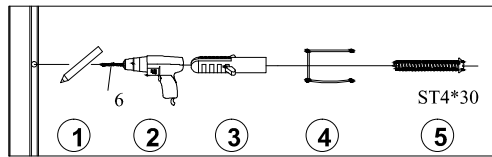
-2-

8

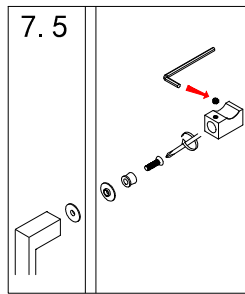
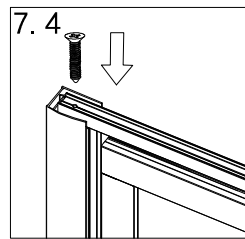
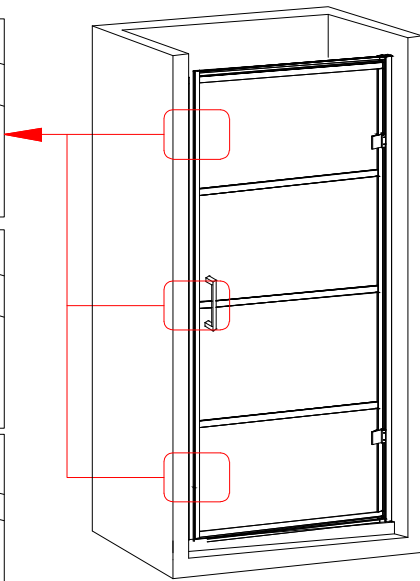
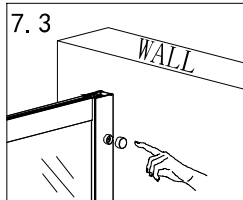
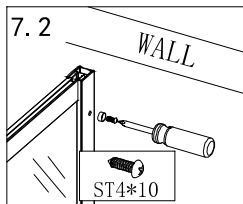
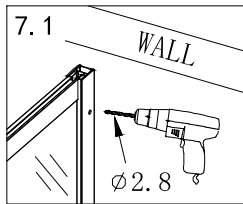


-7-

6



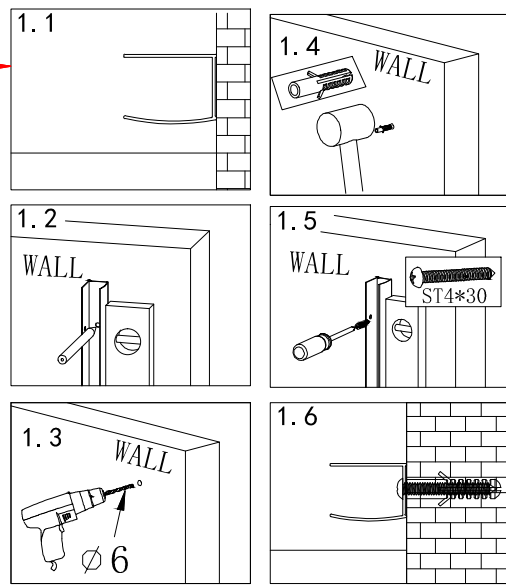
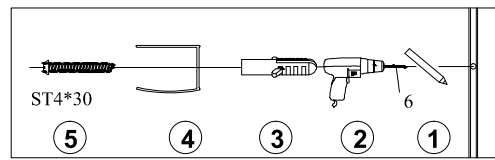
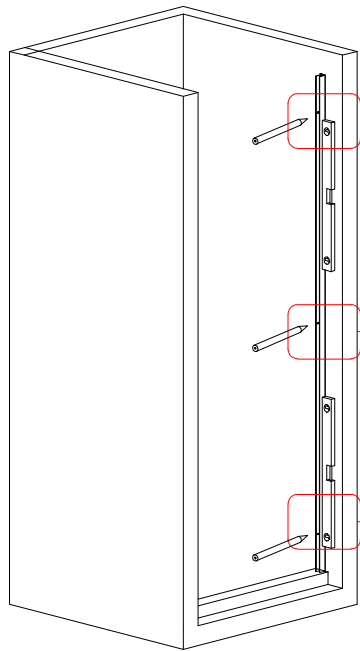
7



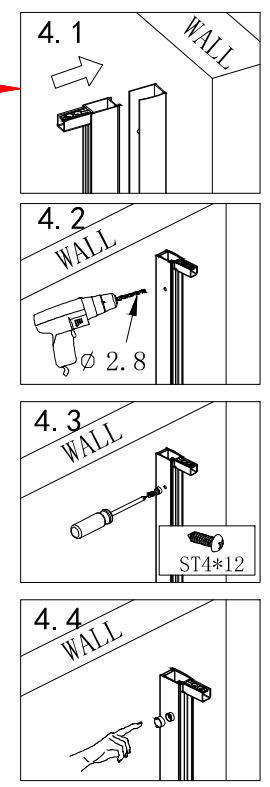
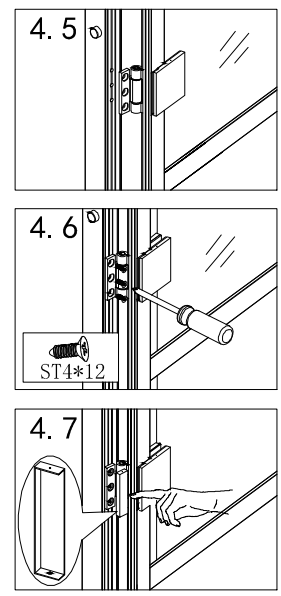
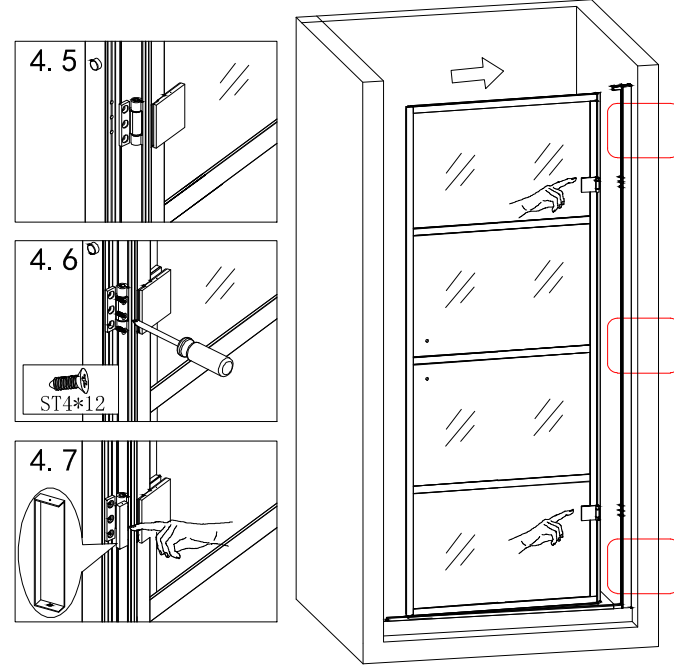
Configuration\ Tabl

① X1	② X1	③ X1	④ X1
⑤ X2	⑥ X1	⑦ X1	⑧ X1
⑨ X1	⑩ X1	⑪ X1	⑫ ST4X30\ X1
⑬ X2	⑭ X6	⑮ X8	⑯ ST4X30\ X8
⑰ ST4X18\ X2	⑱ ST4X10\ X10		

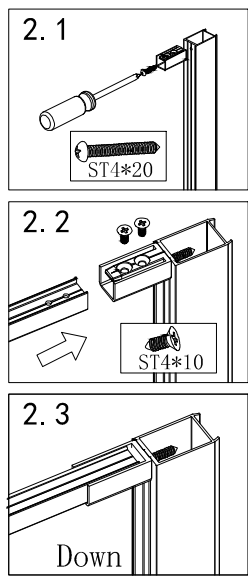
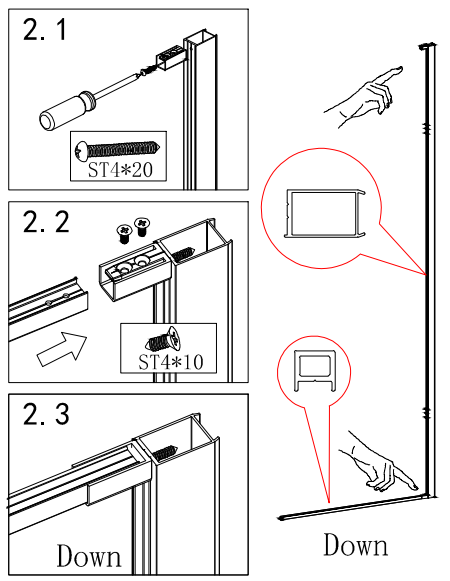
1



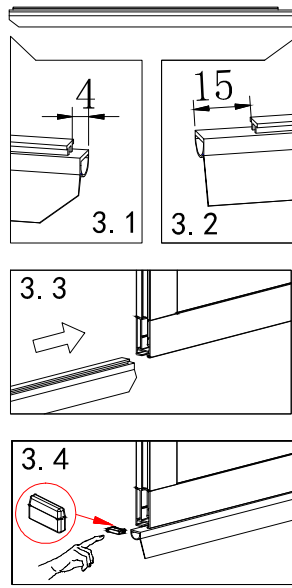
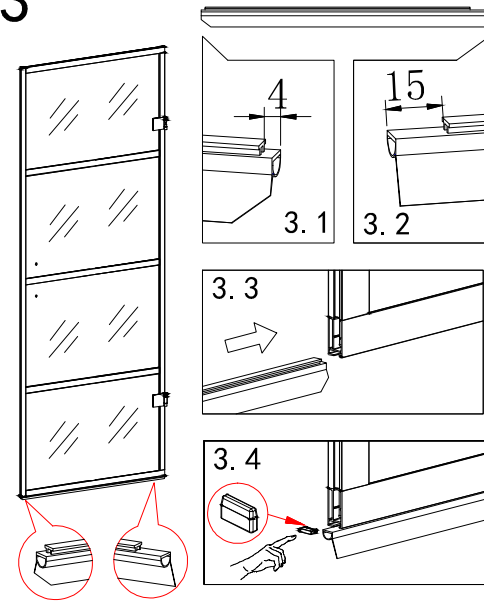
4



2

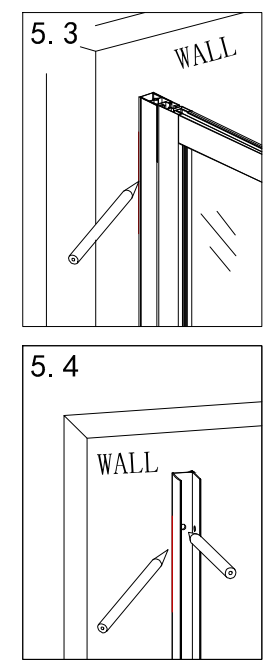
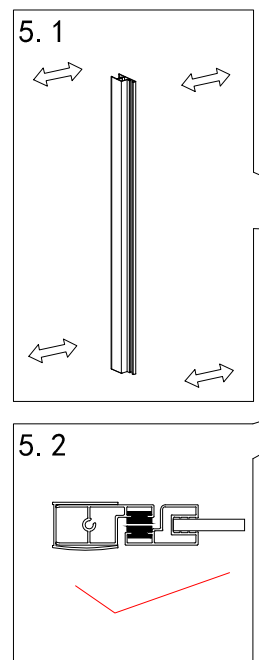
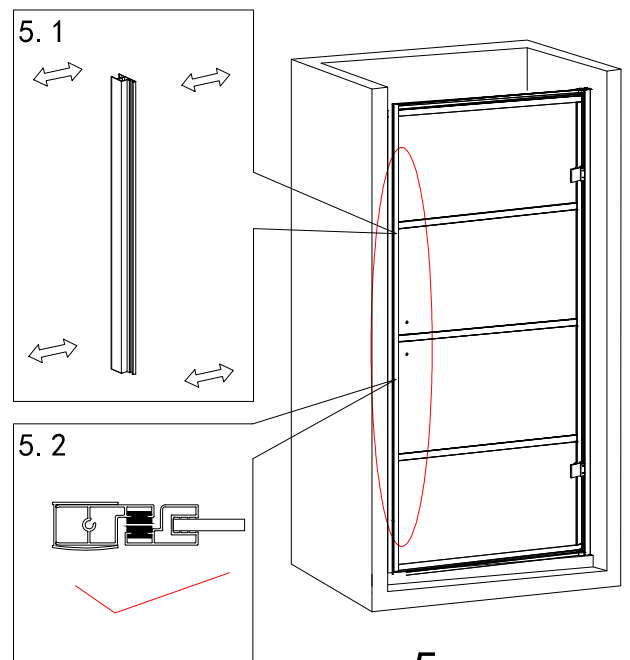


3



-4-

5



-5-