



**Smart
Mini-was**
by Crohill

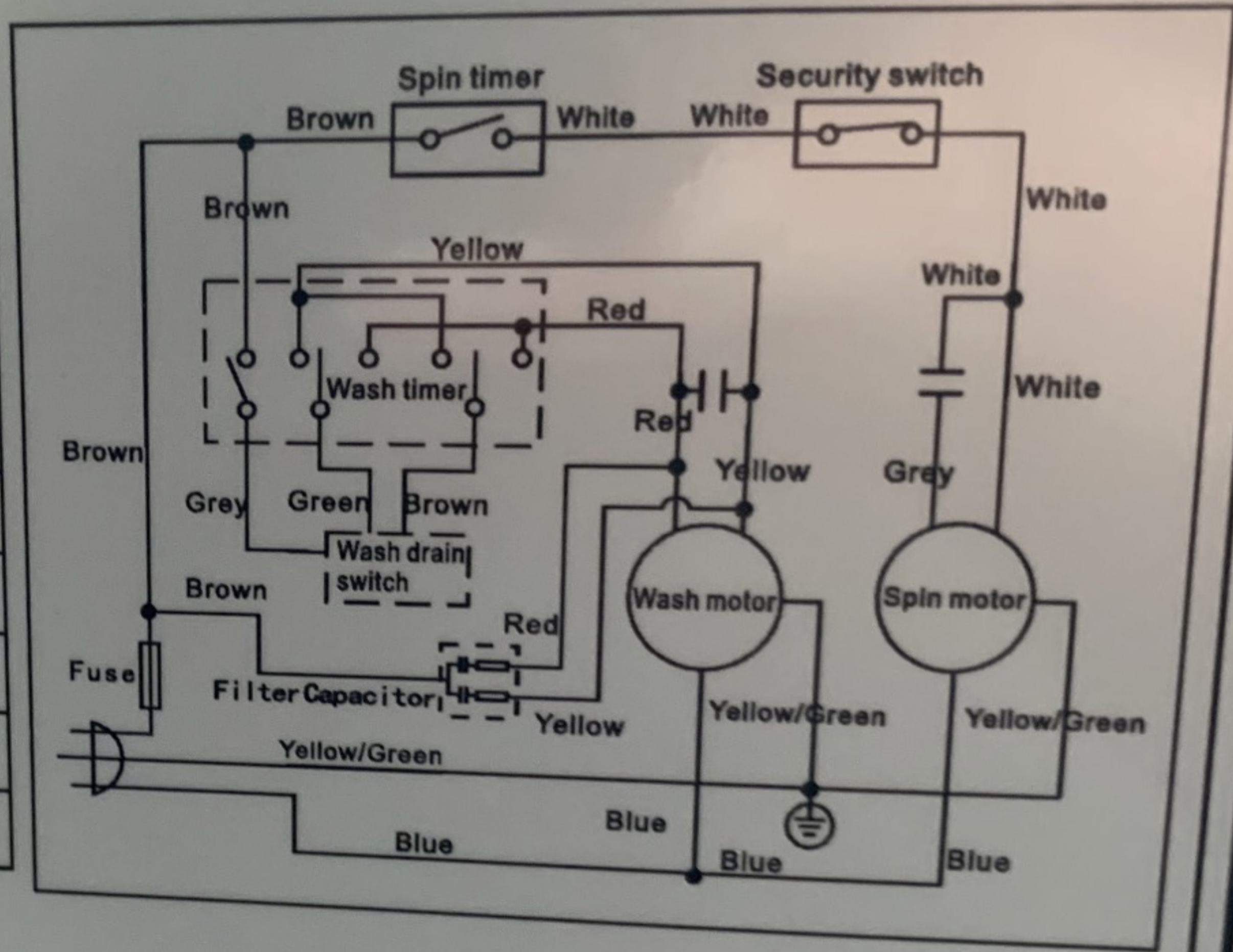
MODEL: XPB50-5018SA

| | |
|-------------------|-----------|
| VOLTAGE | 220-240V~ |
| FREQUENCY | 50-60Hz |
| WASHING CAPACITY | 5.0kg |
| SPIN CAPACITY | 3.5kg |
| WASHING POWER | 200W |
| DEHYDRATING POWER | 120W |
| TOTAL POWER | 320W |
| WATERPROOF GRADE | IPX4 |

Made in China



TWIN-TUB WASHING MACHINE



XPB50-5018SA20110047