

BALKONBAR

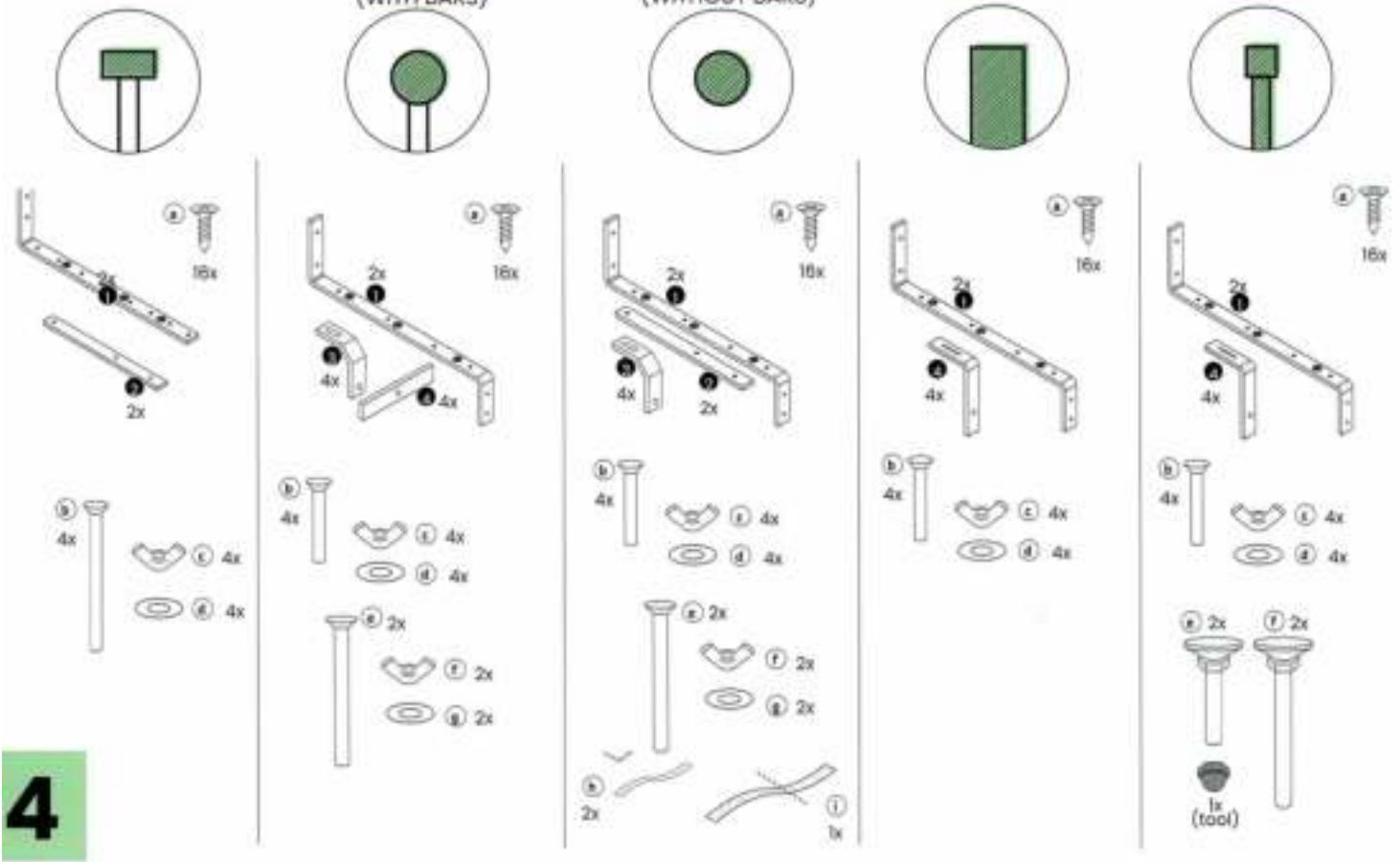
RECTANGULAR

ROUND
(WITH BARS)

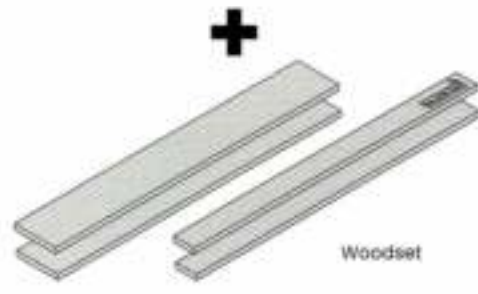
ROUND
(WITHOUT BARS)

WALL

GLASS

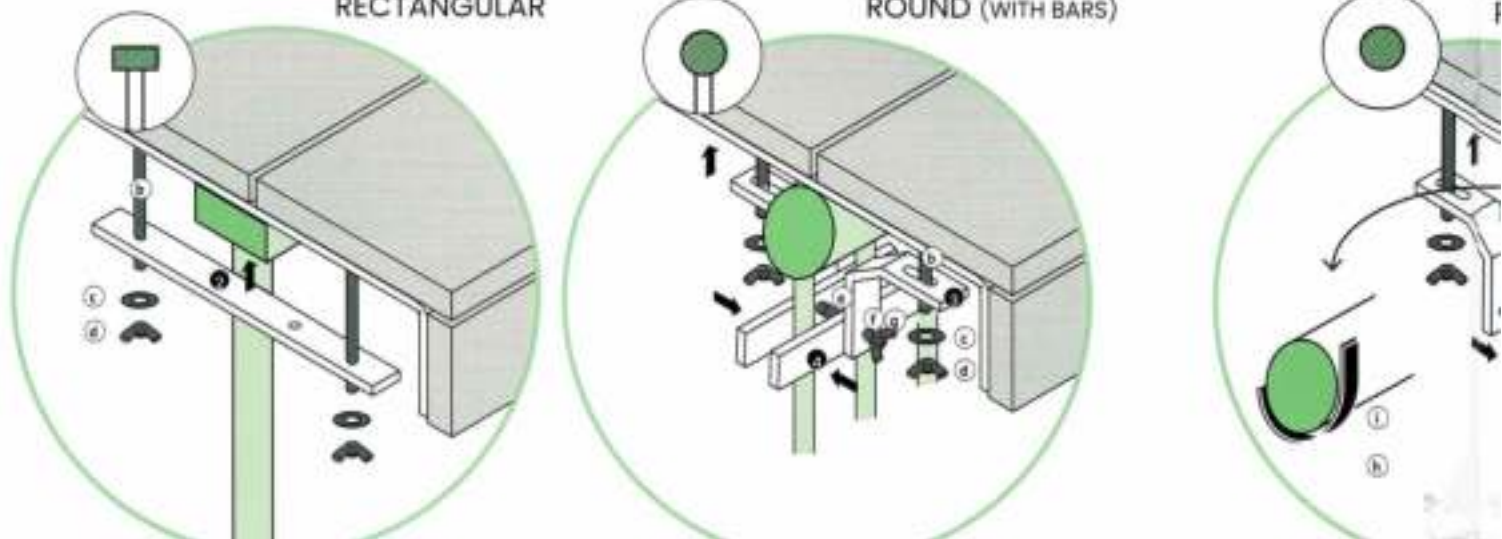


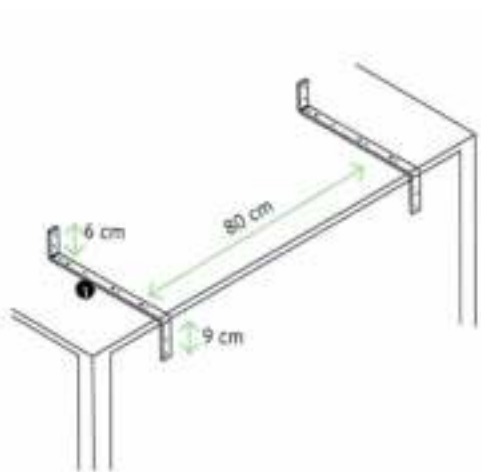
4



RECTANGULAR

ROUND (WITH BARS)





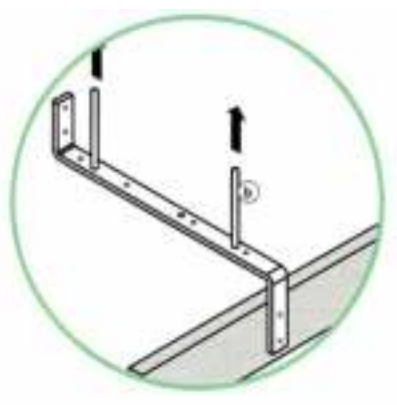
Use a table to position the brackets

1



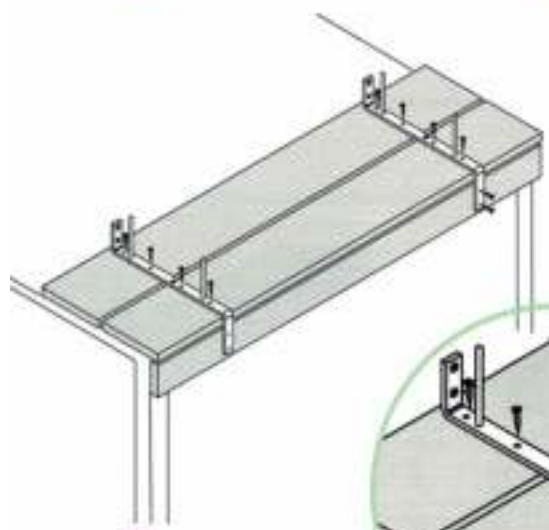
Mount the small plank (without the logo)

2



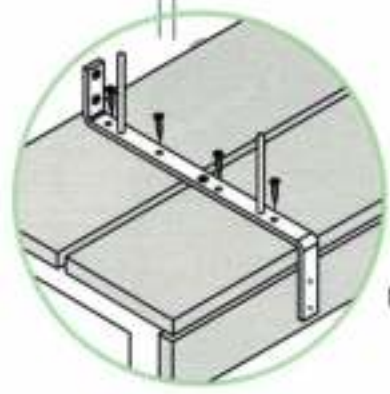
Lift the bracket and place the screws

3



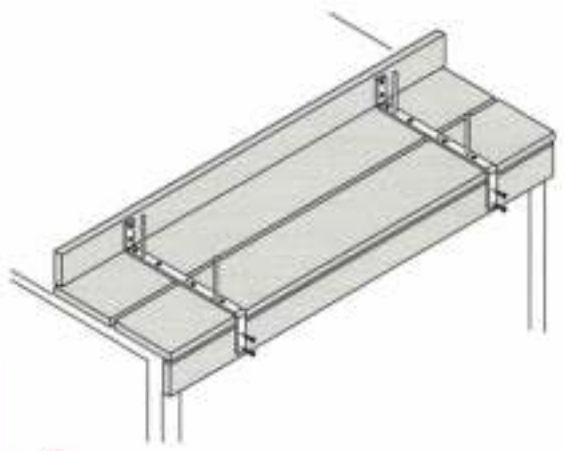
Mount the two broad planks

3



Mount the small plank (with the logo)

4

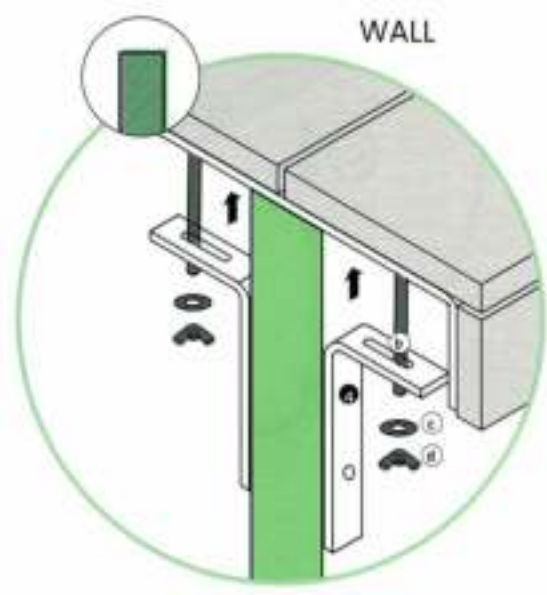


5

ROUND (WITHOUT BARS)



WALL



GLASS

