

STEP 1

x2



x3

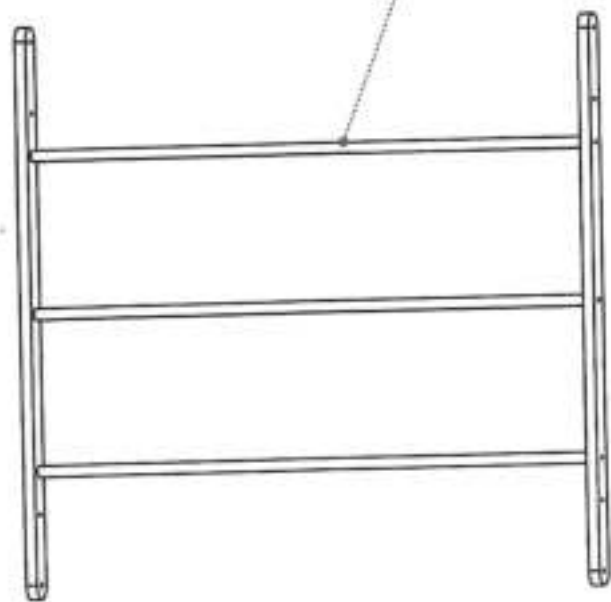
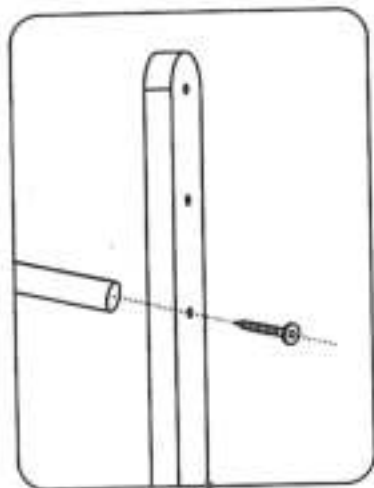


L = 58,5cm (23")

x1



x6



STEP 2

x2



x8

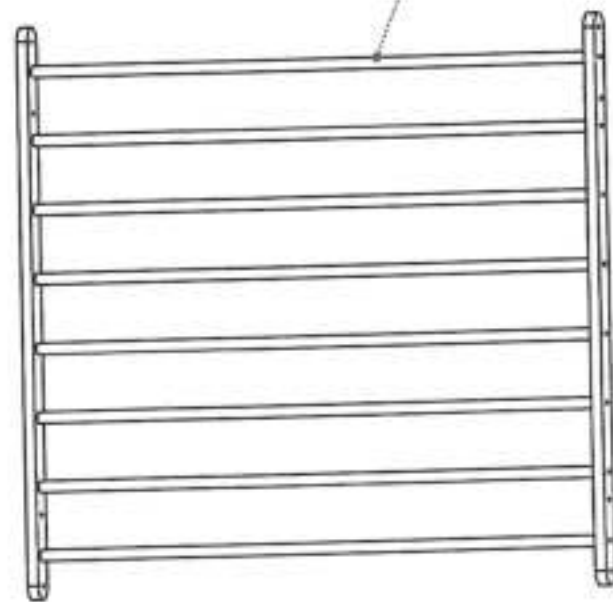
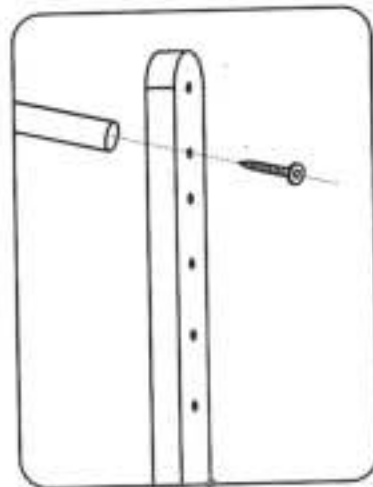


L = 58,5cm (23")

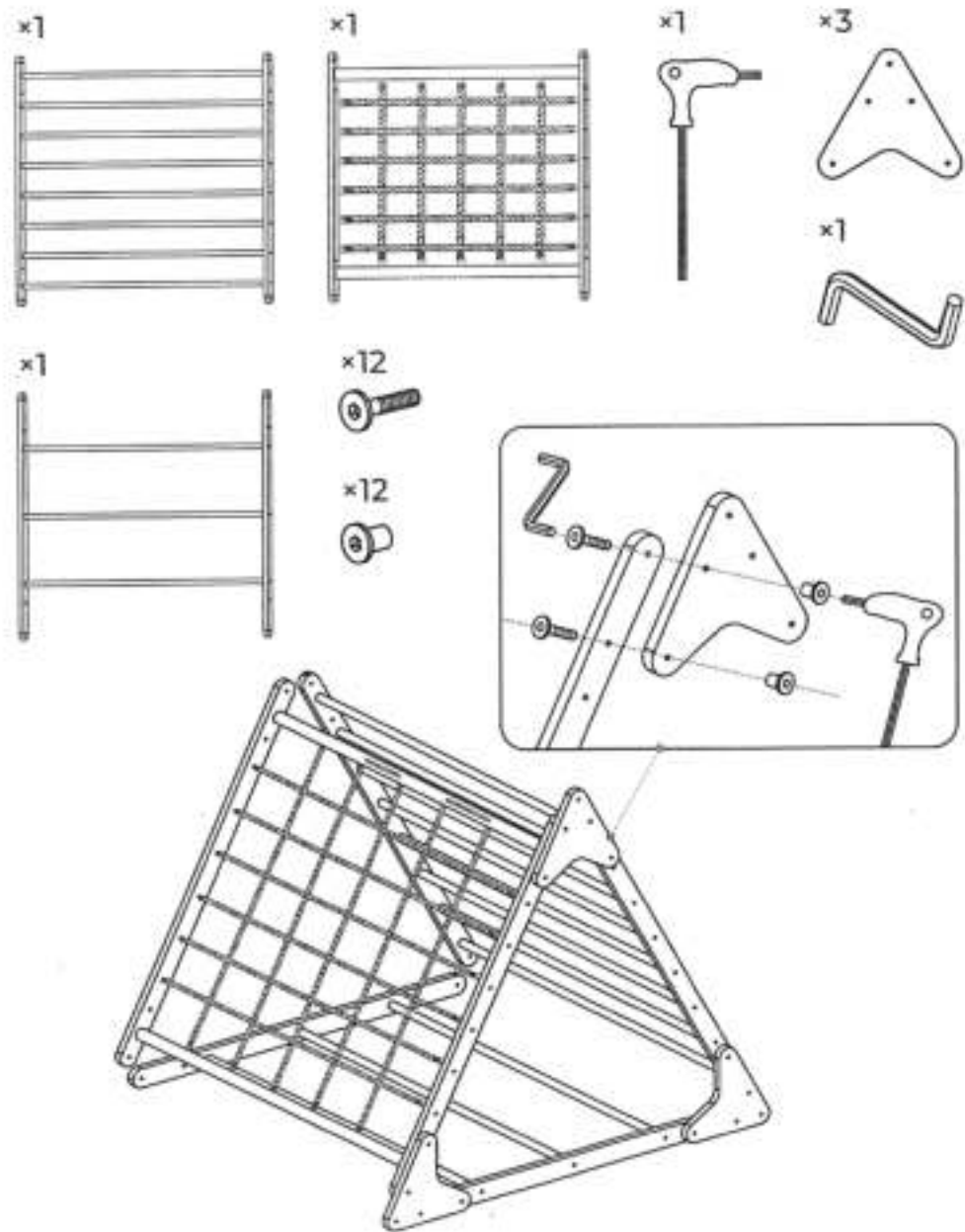
x1



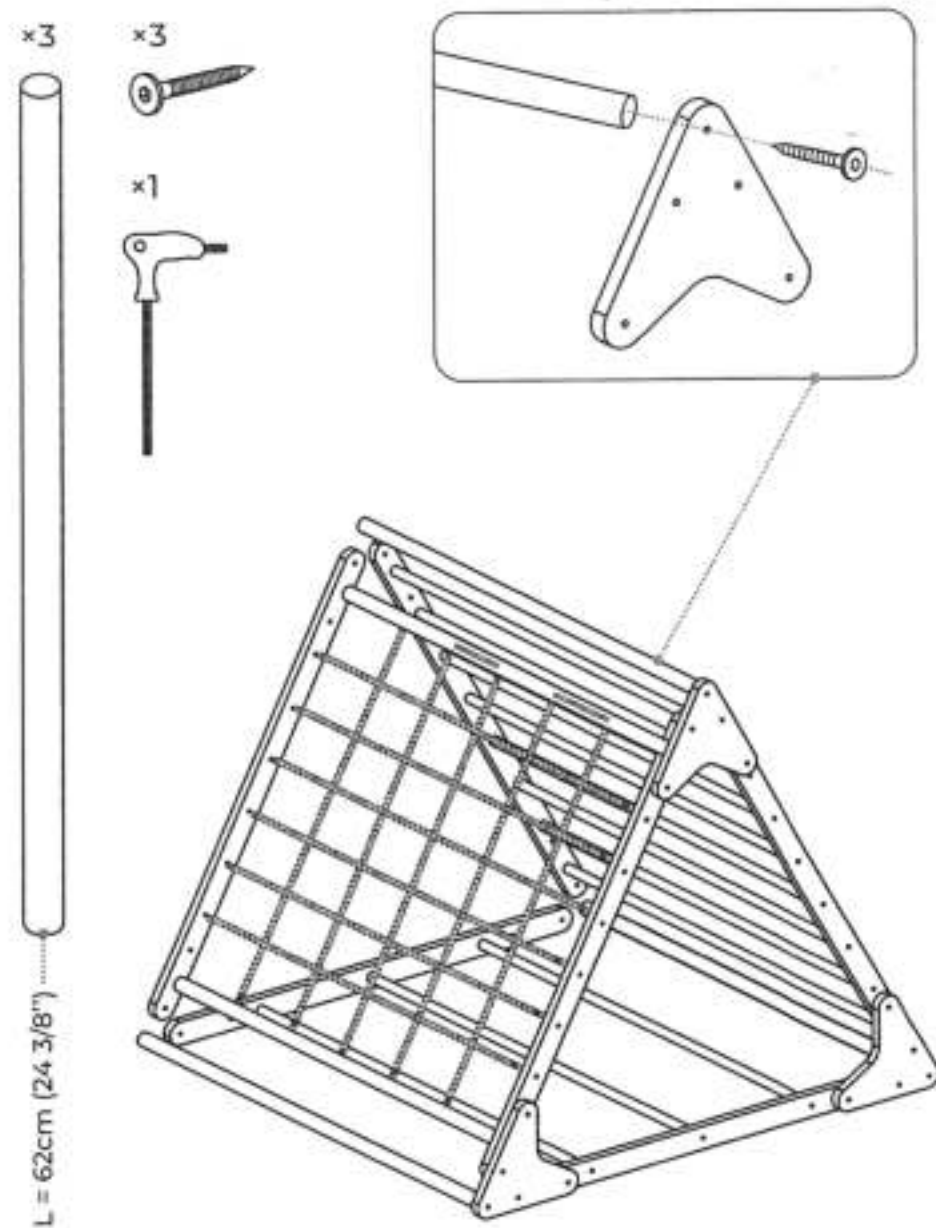
x16








STEP 3



STEP 4



STEP 5

- x1 
- x12 
- x3 
- x3 
- x12 
- x1 