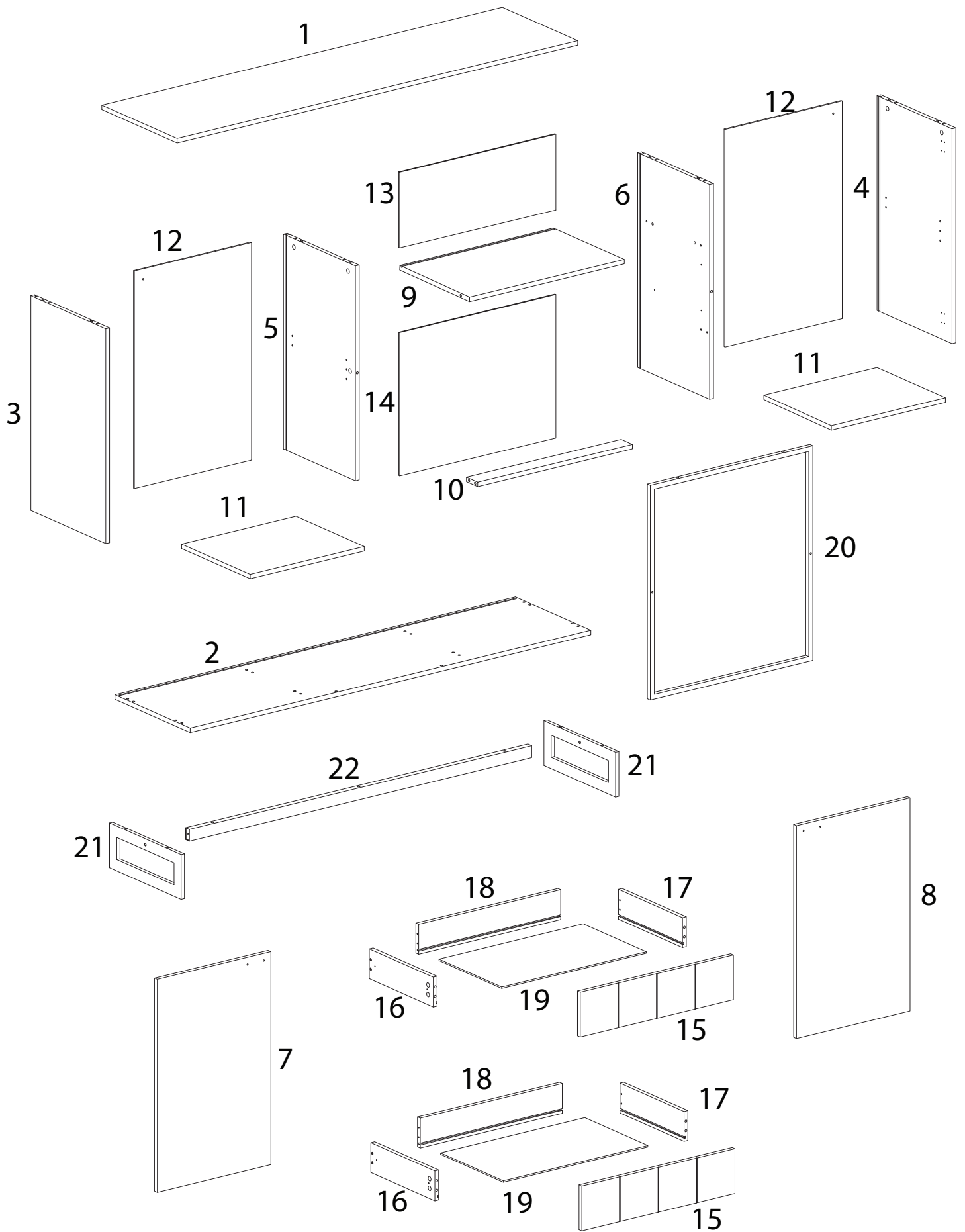



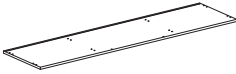


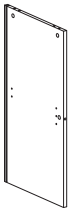





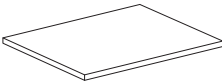

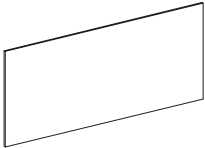
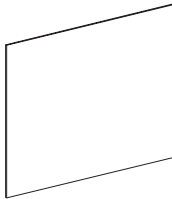
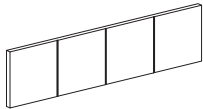
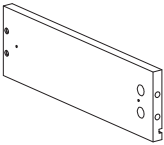
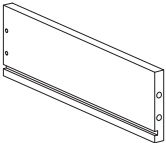
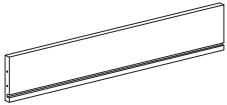

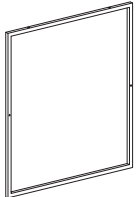
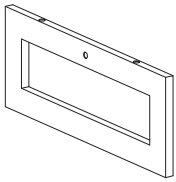
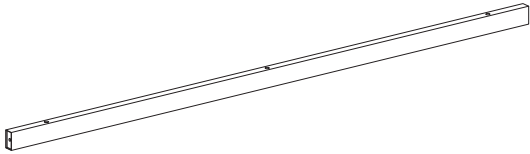
Assembly instructions for the cabinet, including tool requirements, estimated time, and personnel needed.

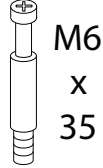
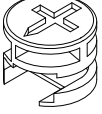
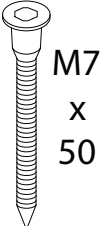
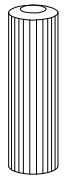
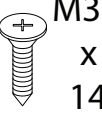
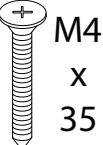


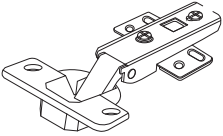
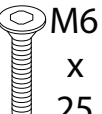
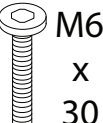
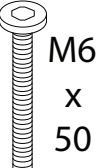
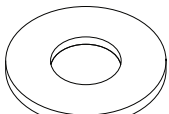
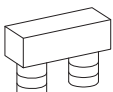
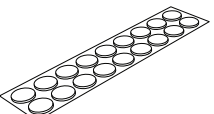
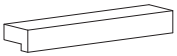
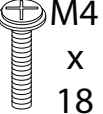
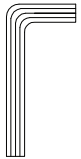
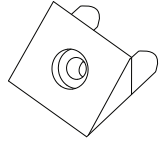

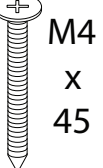
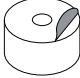
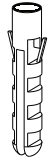
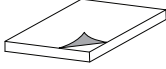
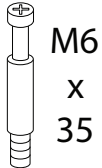
**Tools:** A circle containing a screwdriver and an Allen key, and a crossed-out power drill icon, with a warning triangle above.

**Time:** A clock icon with the text "120'".

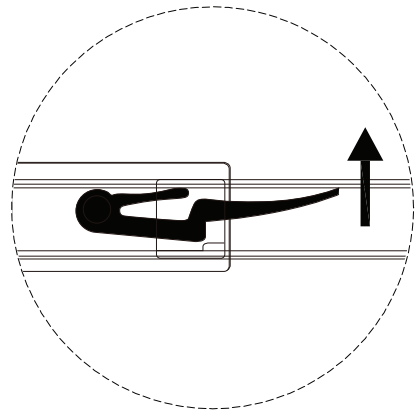
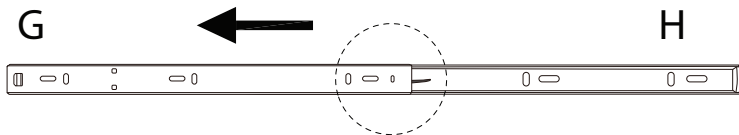
**Personnel:** A person icon with the text "2", and a warning triangle above.



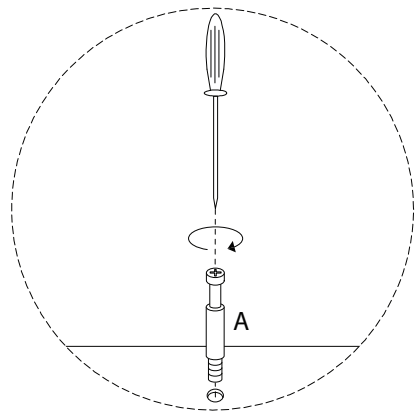
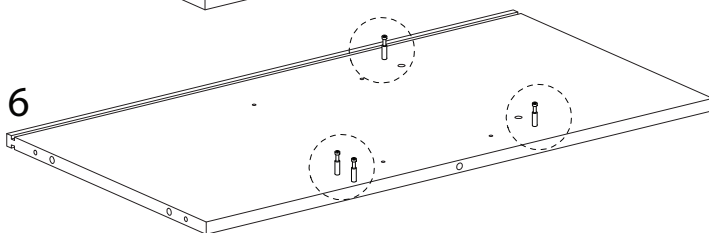
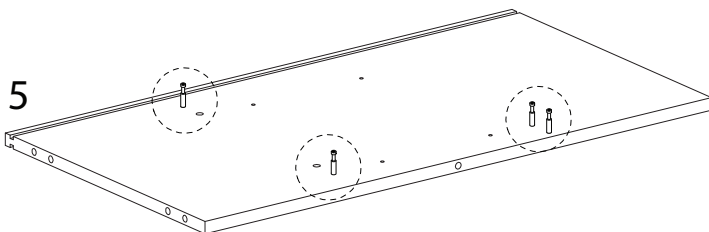
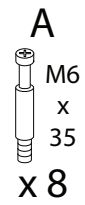
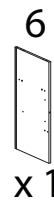
1  x 1	2  x 1	3  x 1	4  x 1	5  x 1
6  x 1	7  x 1	8  x 1	9  x 1	10  x 1
11  x 2	12  x 2	13  x 1	14  x 1	15  x 2
16  x 2	17  x 2	18  x 2	19  x 2	20  x 1
21  x 2		22  x 1		

<p><b>A</b></p>  <p>M6 x 35</p> <p>x 24</p>	<p><b>B</b></p>  <p>x 26</p>	<p><b>C</b></p>  <p>M7 x 50</p> <p>x 8</p>	<p><b>D</b></p>  <p>x 20</p>	<p><b>E</b></p>  <p>M3.5 x 14</p> <p>x 56</p>
<p><b>F</b></p>  <p>M4 x 35</p> <p>x 8</p>	<p><b>G</b></p>  <p>x 4</p>	<p><b>H</b></p>  <p>x 4</p>	<p><b>I</b></p>  <p>x 4</p>	<p><b>J</b></p>  <p>M6 x 25</p> <p>x 4</p>
<p><b>K</b></p>  <p>M6 x 30</p> <p>x 2</p>	<p><b>L</b></p>  <p>M6 x 50</p> <p>x 7</p>	<p><b>M</b></p>  <p>x 9</p>	<p><b>N</b></p>  <p>x 2</p>	<p><b>O</b></p>  <p>x 16</p>
<p><b>P</b></p>  <p>x 2</p>	<p><b>Q</b></p>  <p>M4 x 18</p> <p>x 4</p>	<p><b>R</b></p>  <p>x 1</p>	<p><b>S</b></p>  <p>x 16</p>	<p><b>T</b></p>  <p>x 8</p>
<p><b>U</b></p>  <p>M4 x 45</p> <p>x 2</p>	<p><b>V</b></p>  <p>x 2</p>	<p><b>W</b></p>  <p>x 2</p>	<p><b>X</b></p>  <p>x 4</p>	<p><b>Y</b></p>  <p>M6 x 35</p> <p>x 2</p>

!



1



2

E

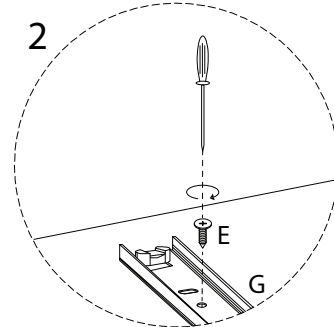
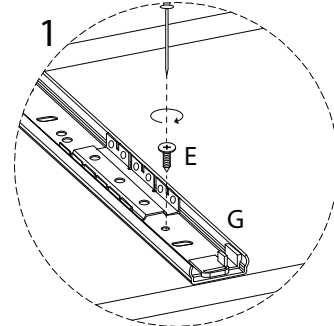
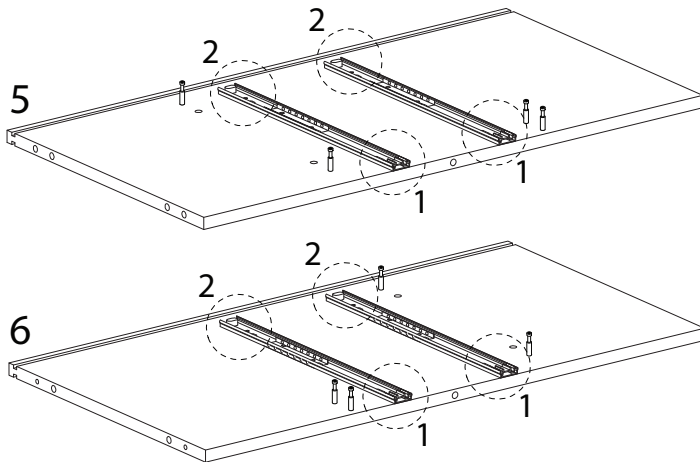


x 8

G

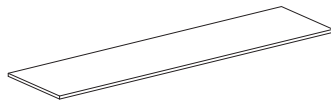


x 4



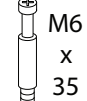
3

1

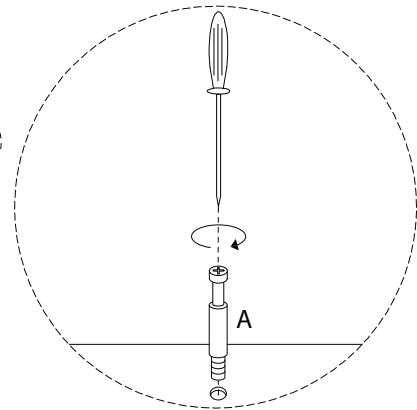
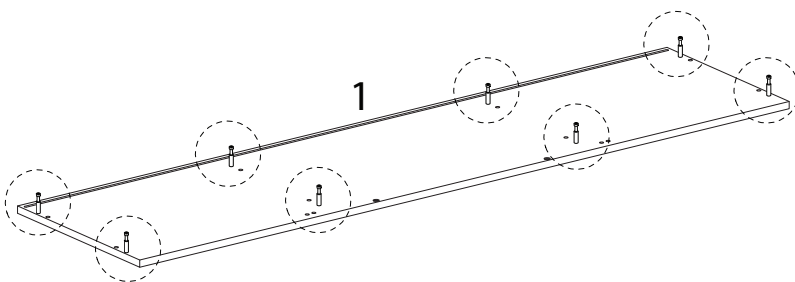


x 1

A

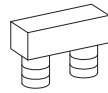


x 8

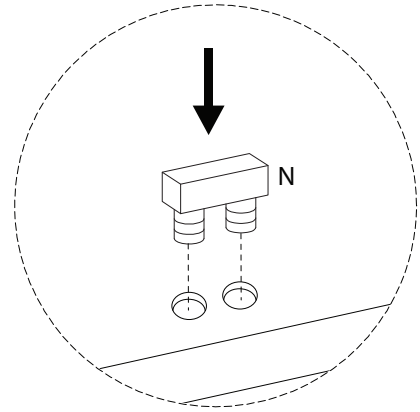
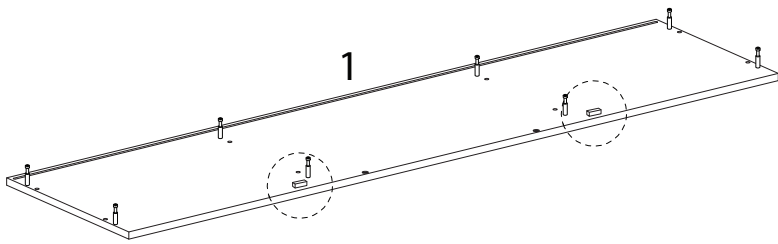


4

N

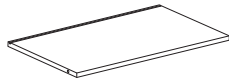


x 2



5

9

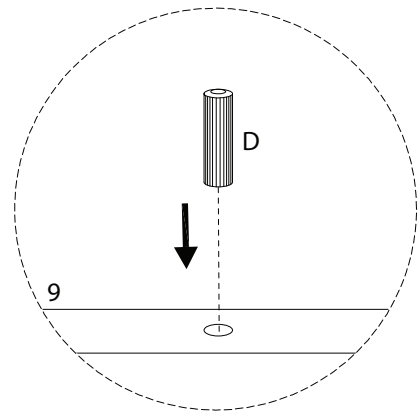
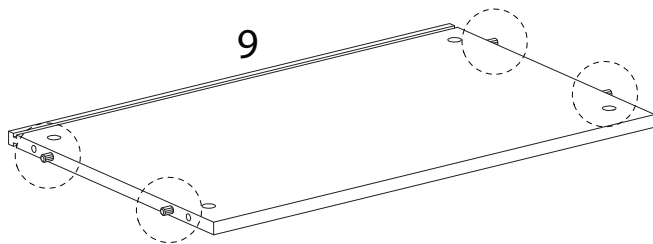


x 1

D

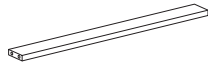


x 4



6

10

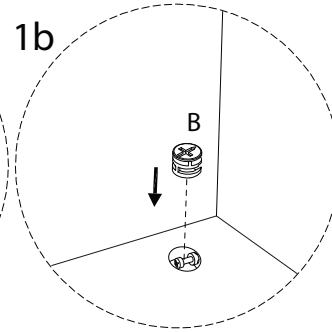
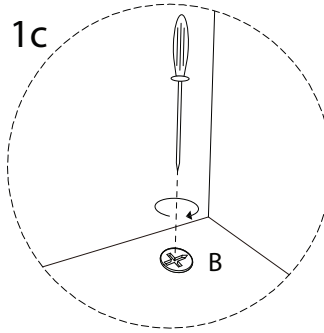
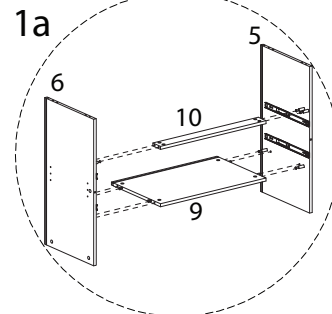
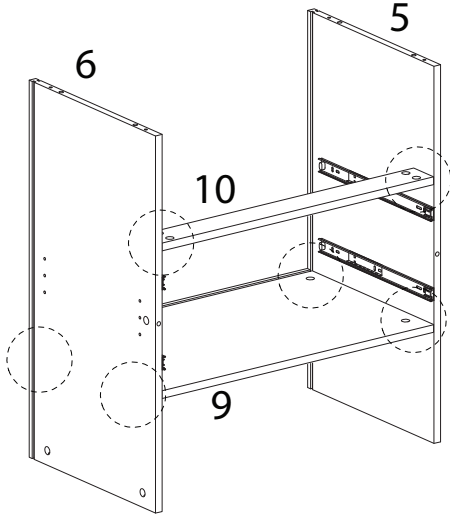


x 1

B



x 8

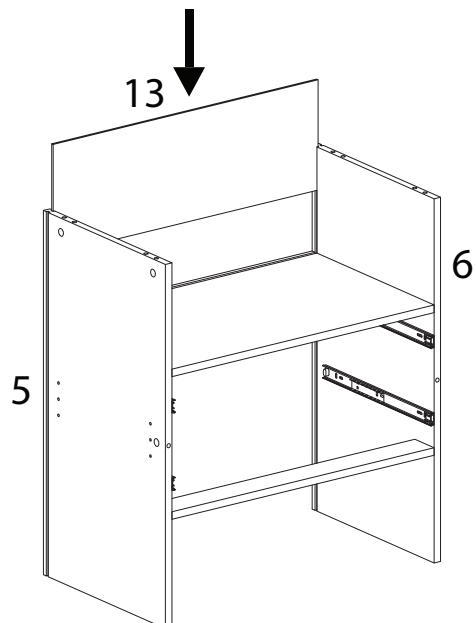
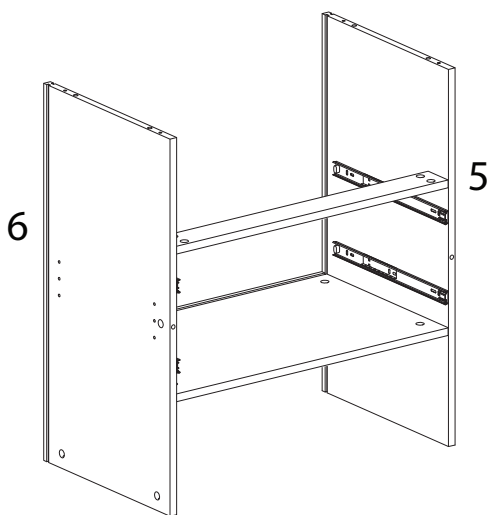


7

13



x 1



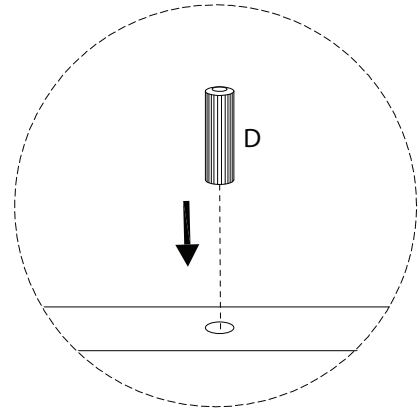
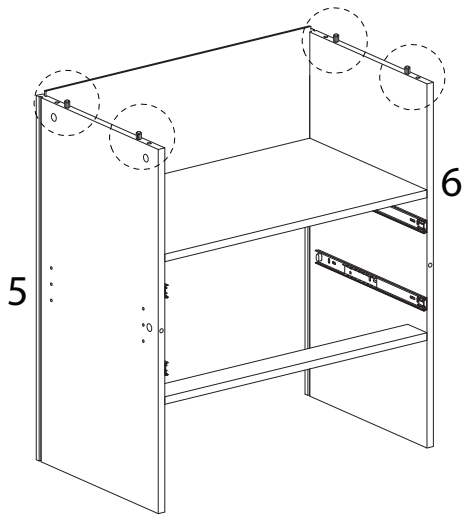


8

D



x 4

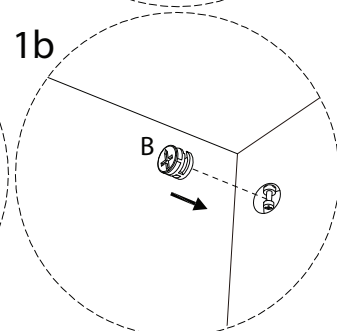
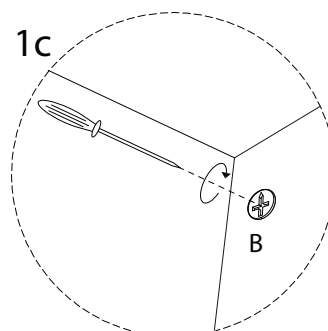
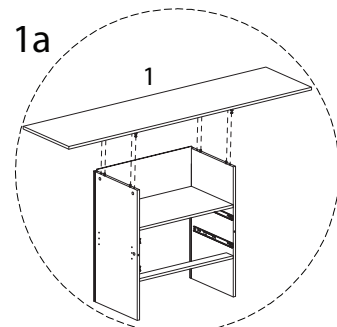
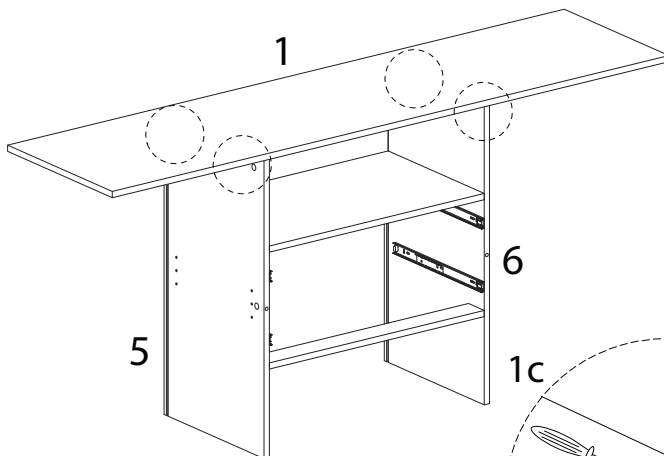


9

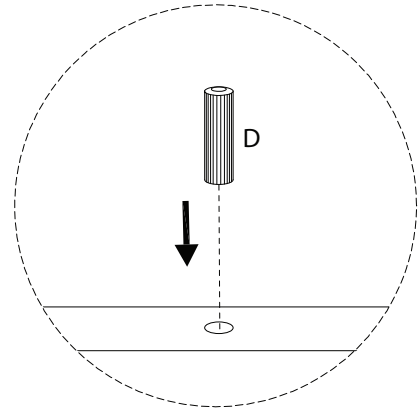
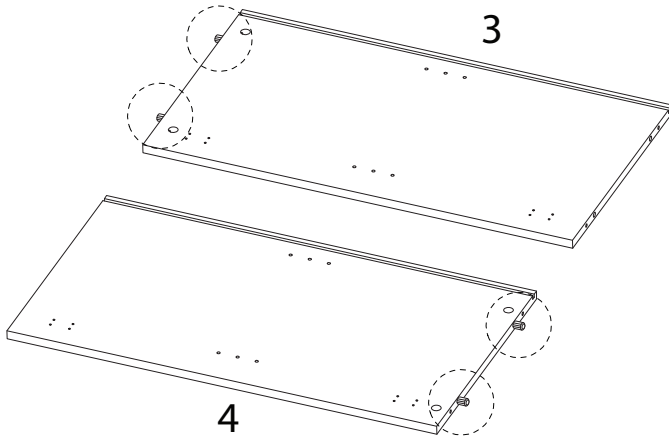
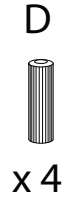
B



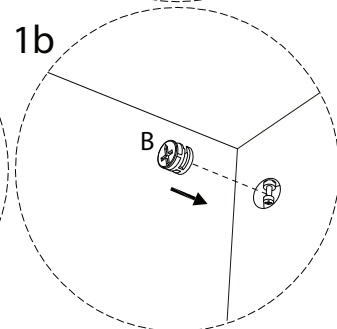
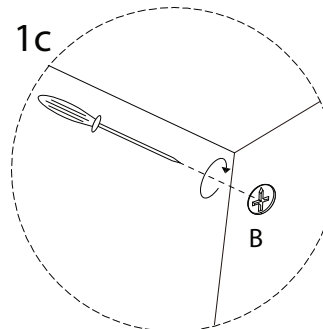
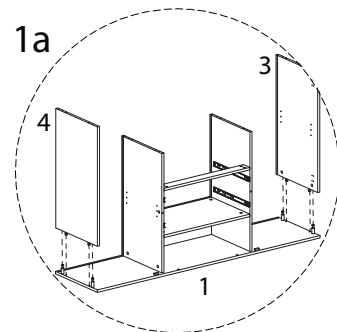
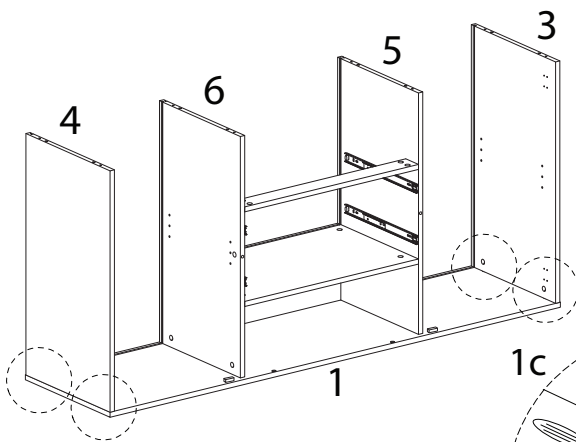
x 4



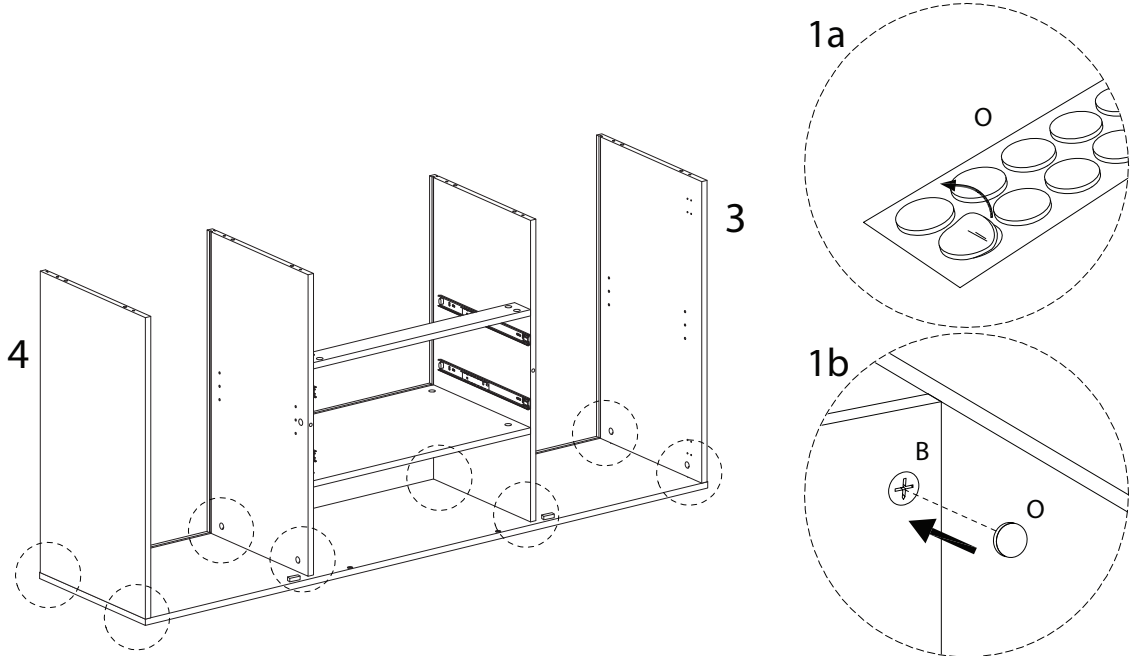
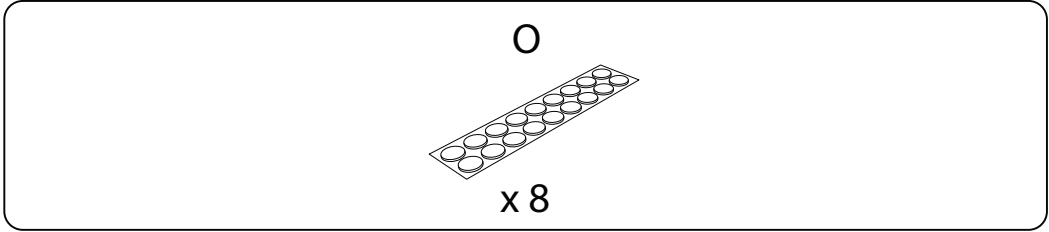
10



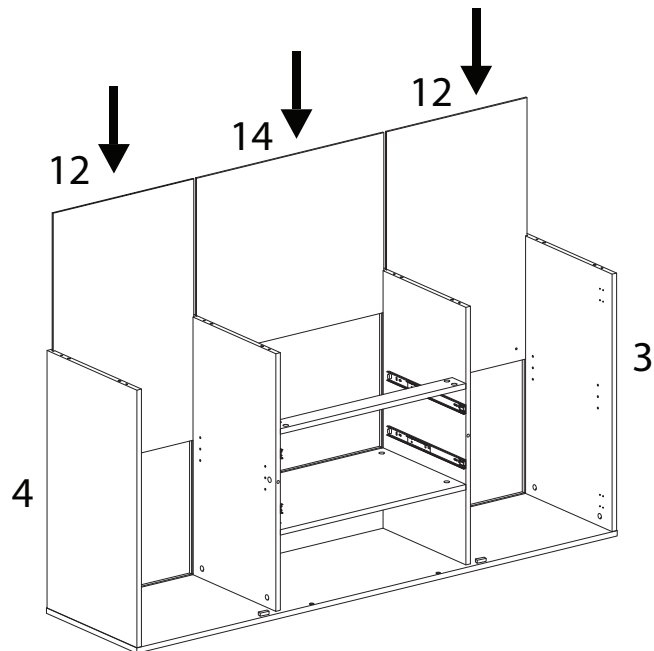
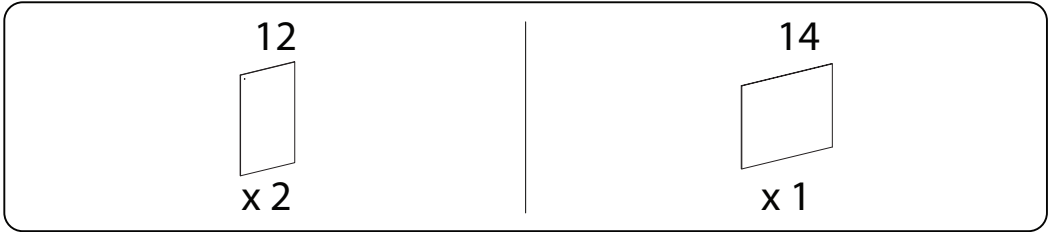
11



12



13

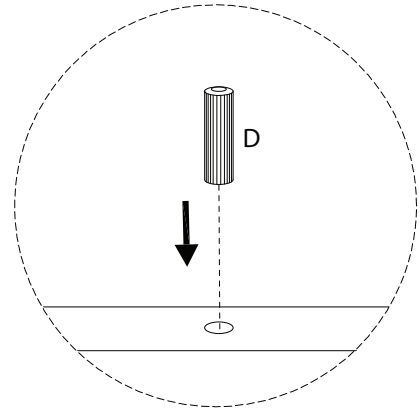
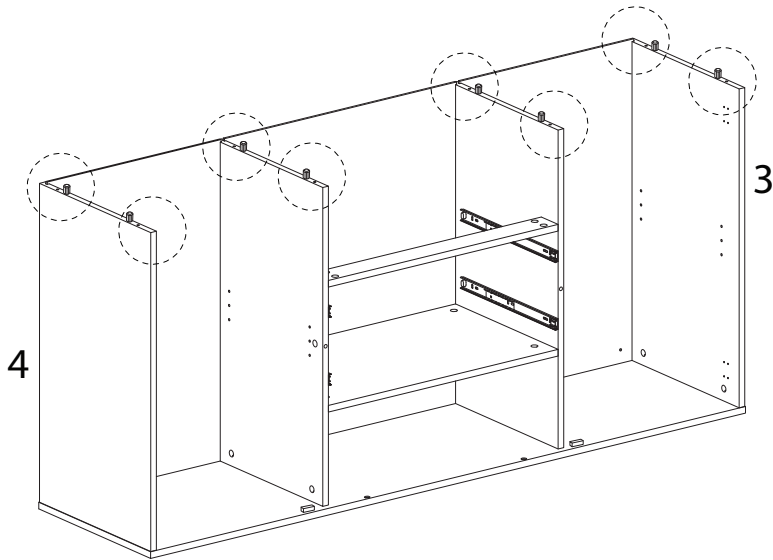


14

D

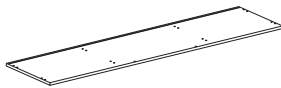


x 8



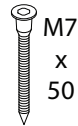
15

2



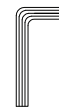
x 1

C

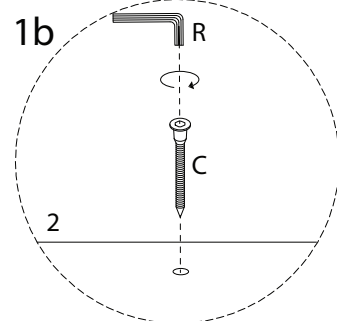
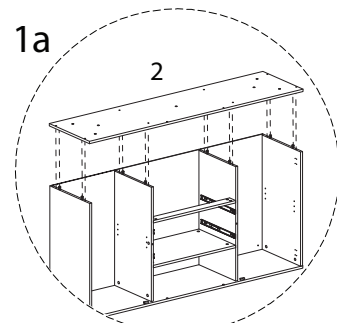
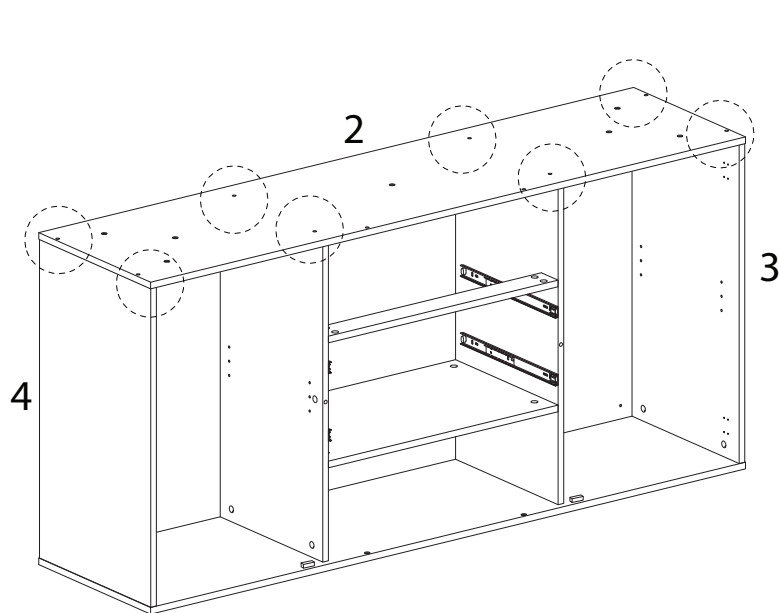


x 8

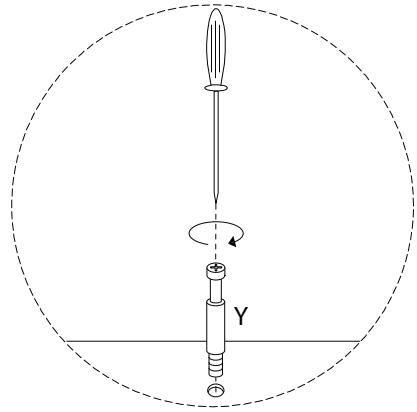
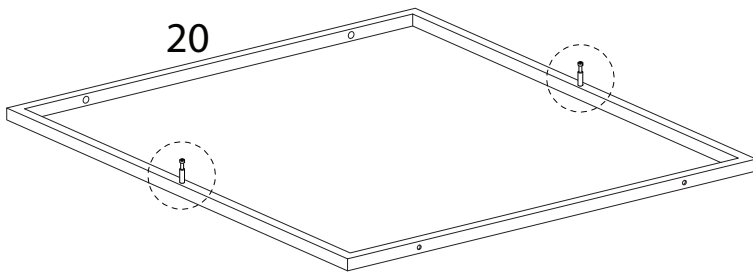
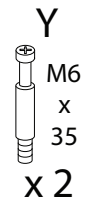
R



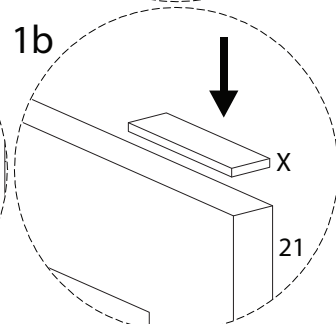
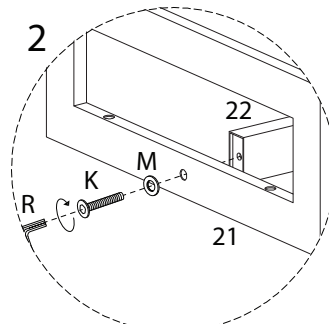
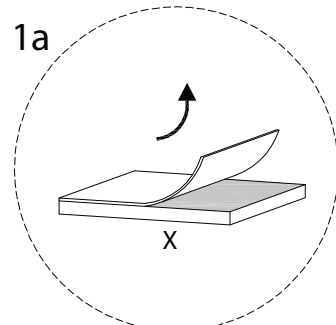
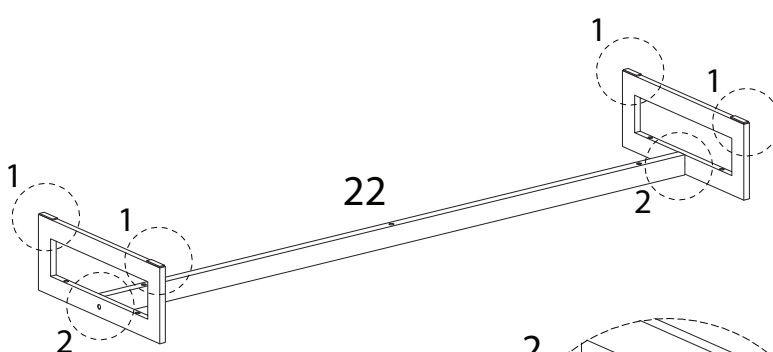
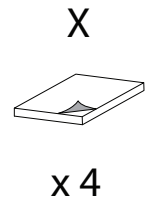
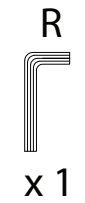
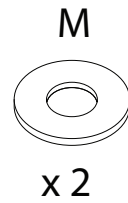
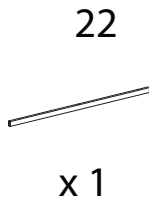
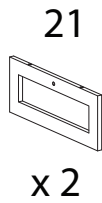
x 1



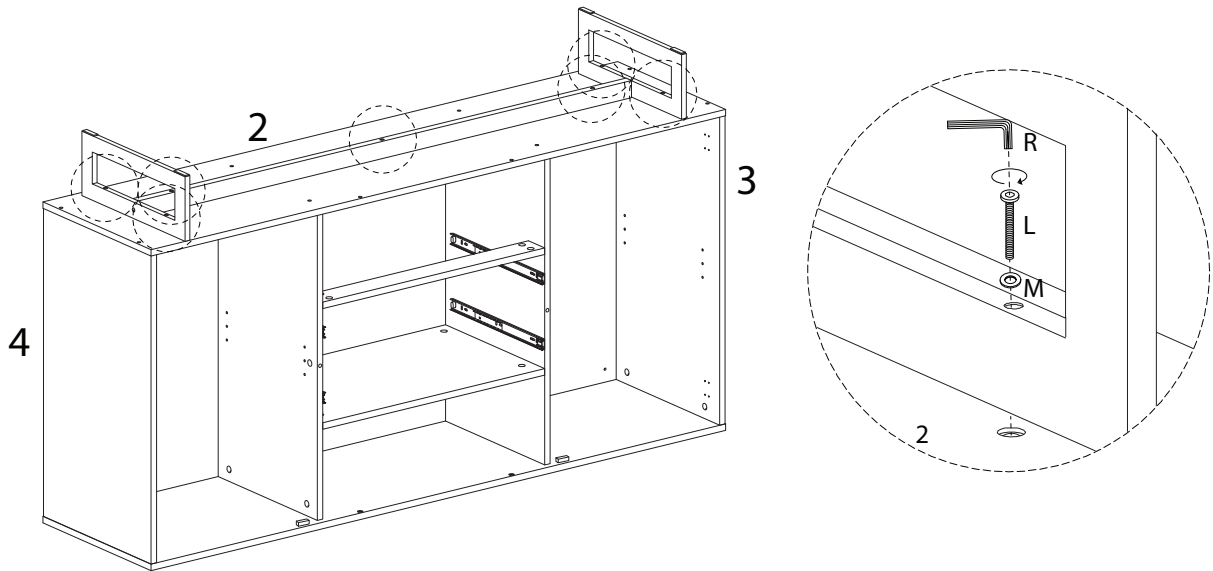
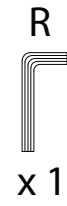
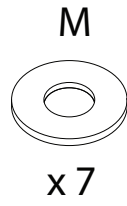
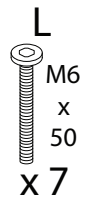
16



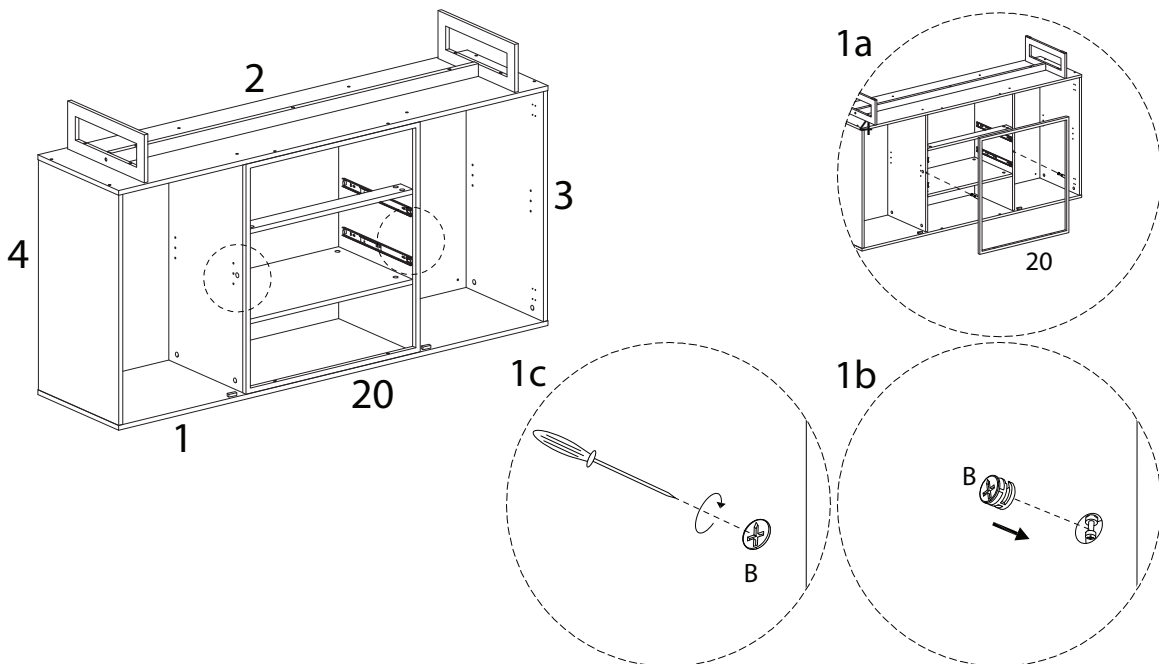
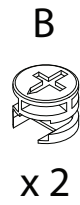
17



18

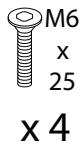


19

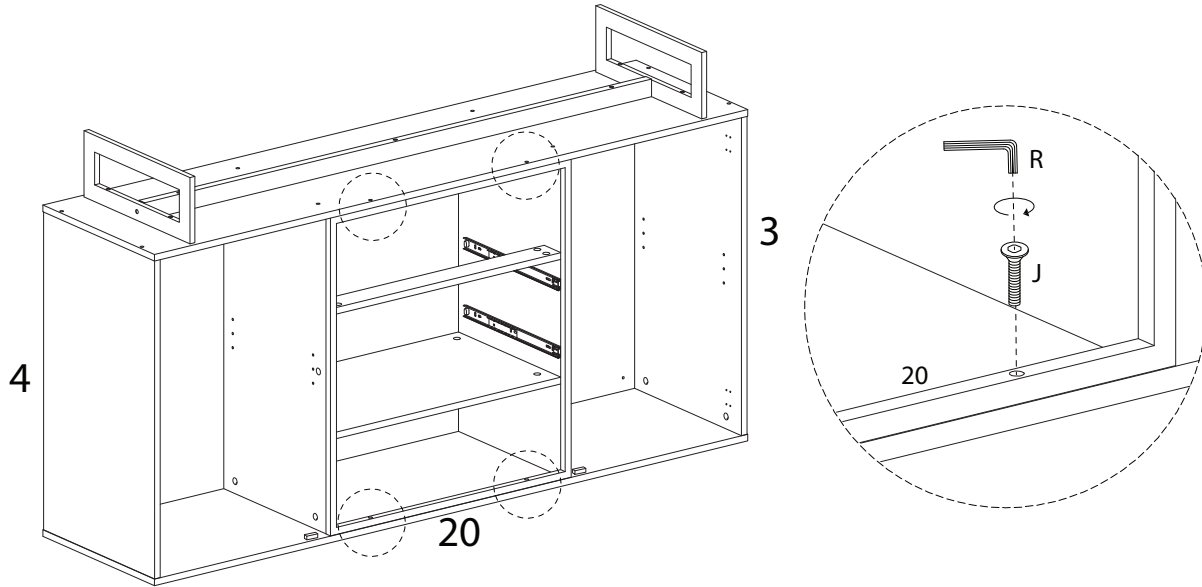
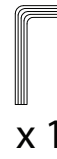


20

J



R

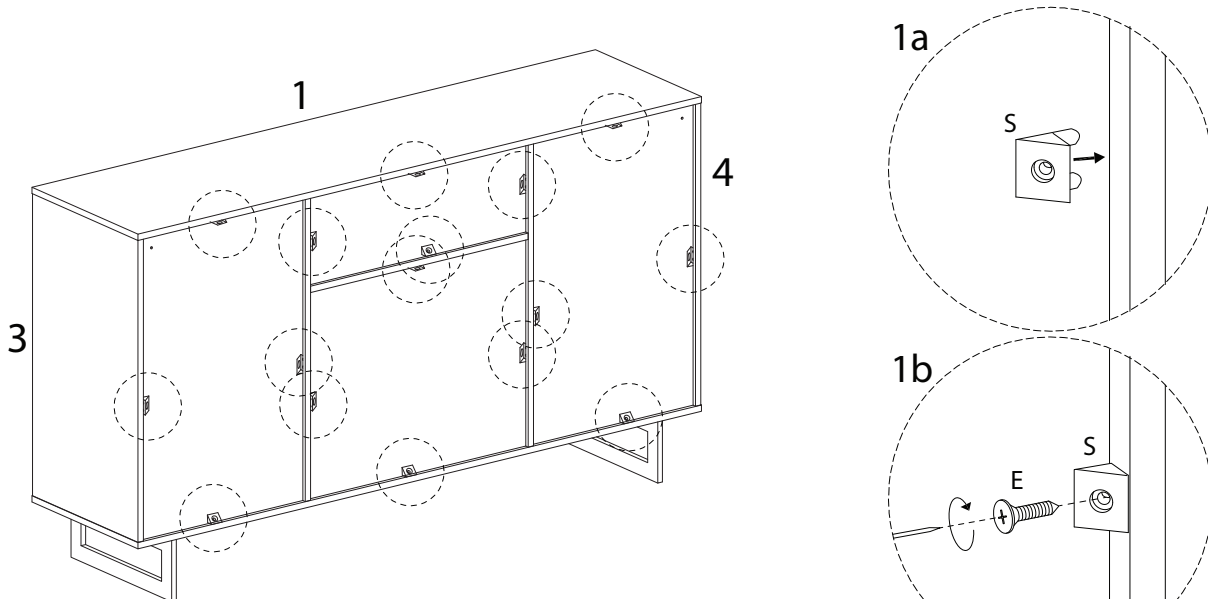


21

E



S

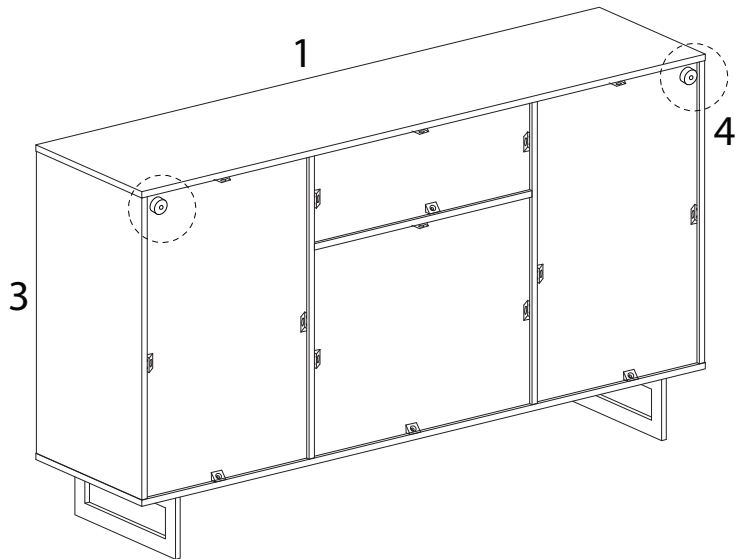


22

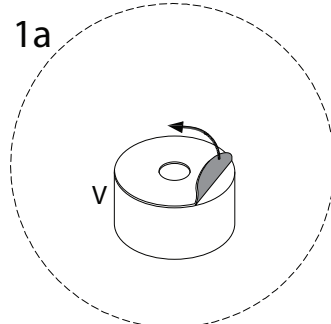
V



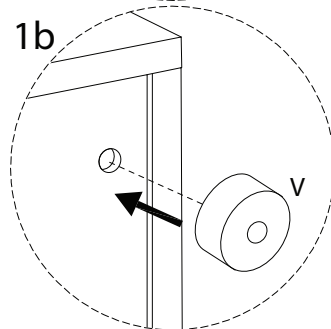
x 2



1a

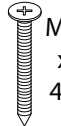


1b



23

U

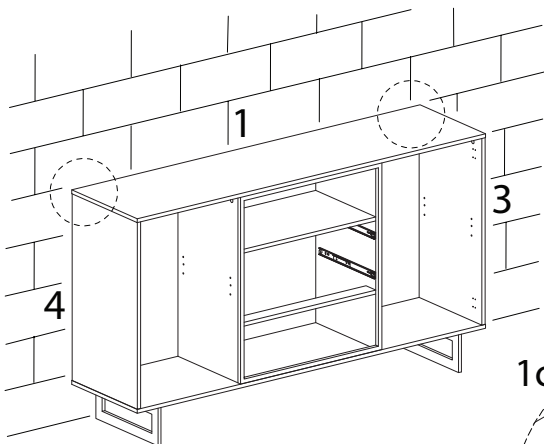


x 2

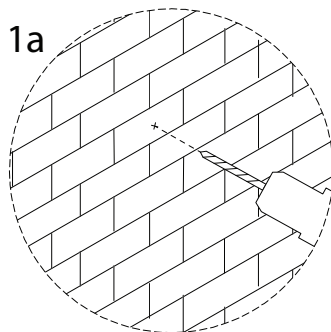
W



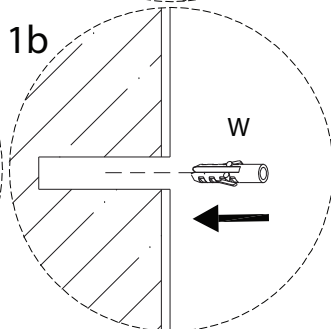
x 2



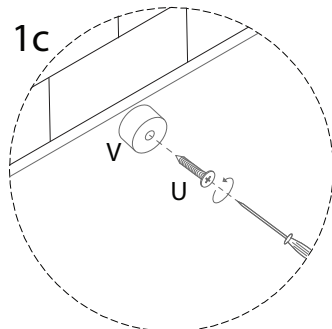
1a



1b



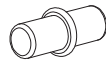
1c



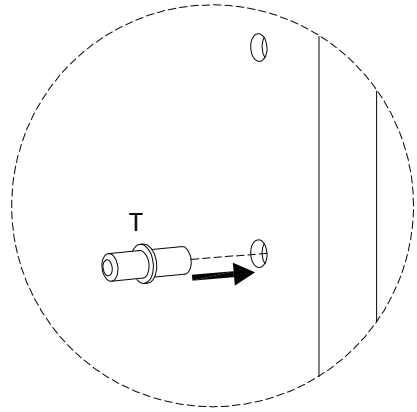
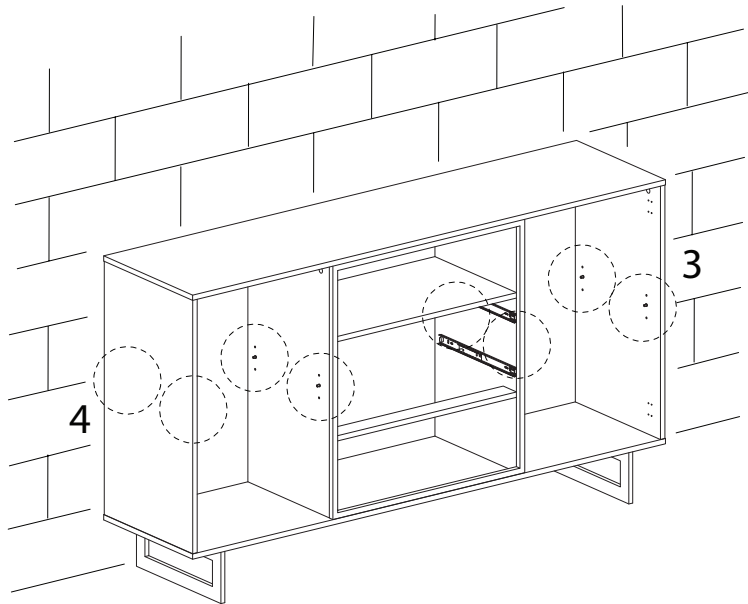


24

T

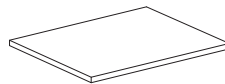


x 8

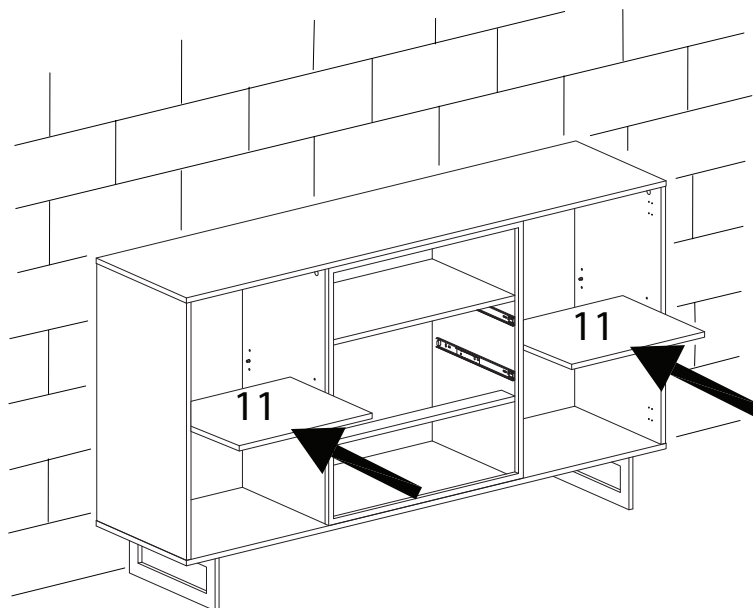


25

11



x 2



26

7



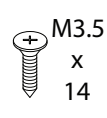
x 1

8



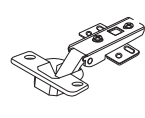
x 1

E



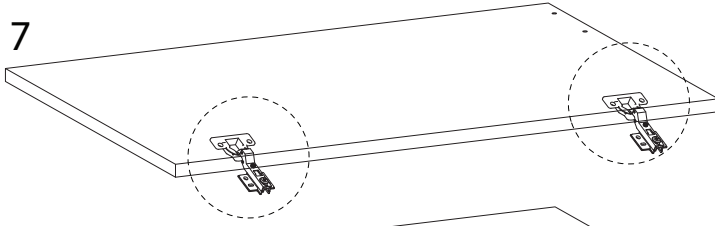
x 8

I

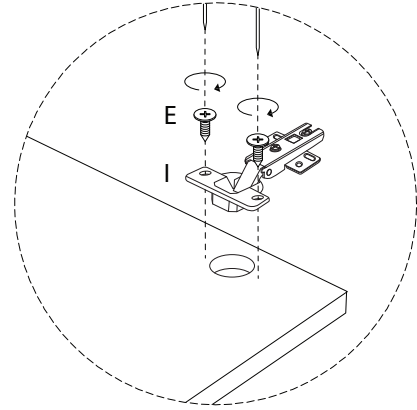
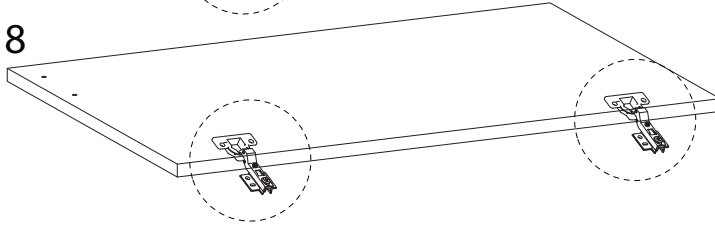


x 4

7



8

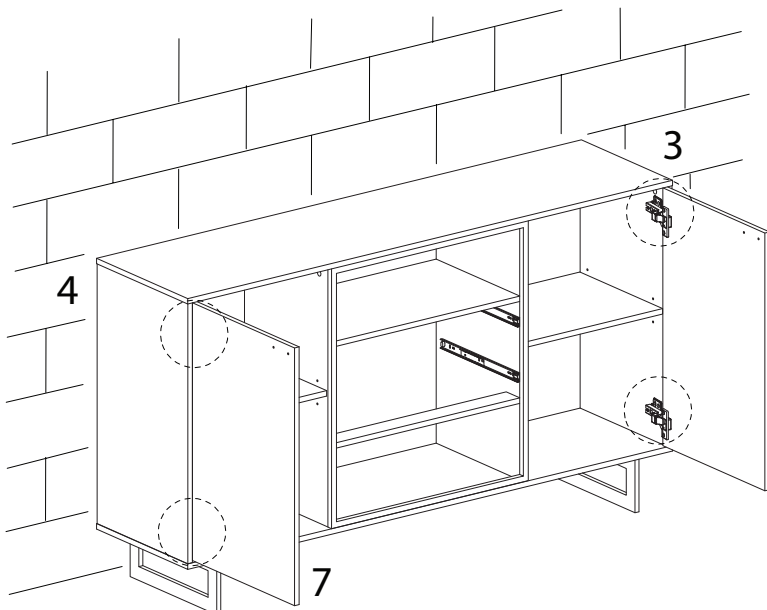


27

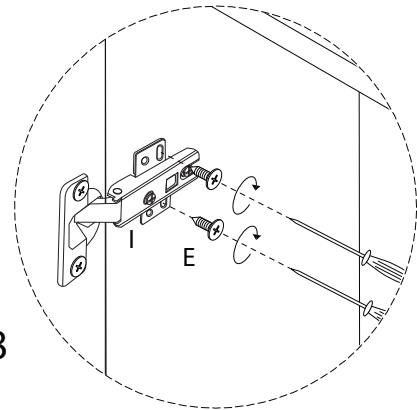
E



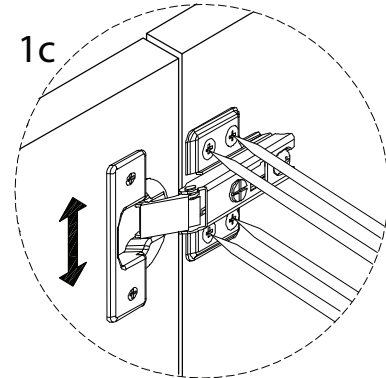
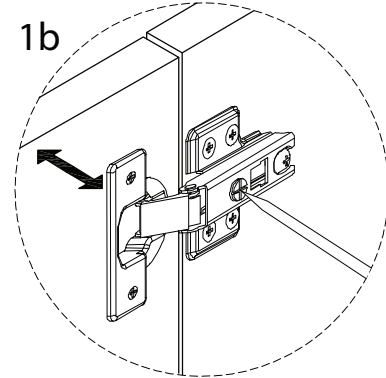
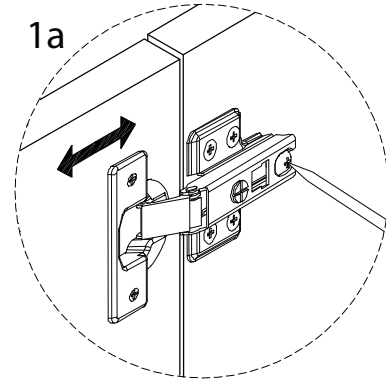
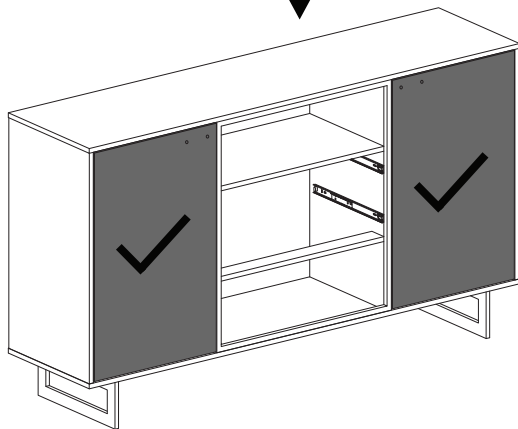
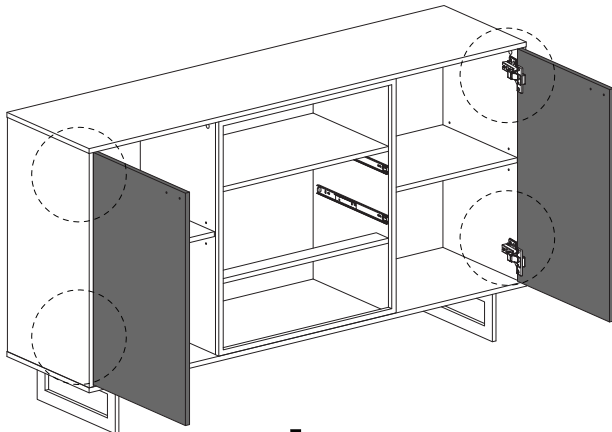
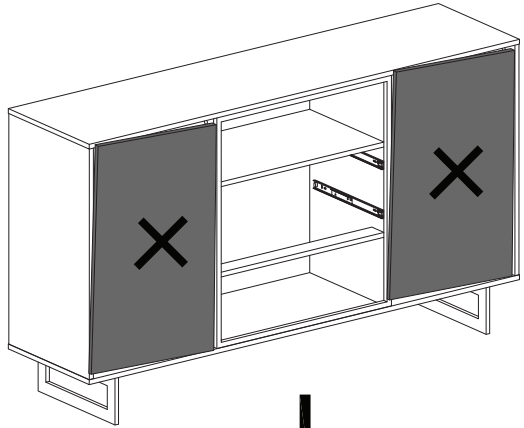
x 8



8



28



29

P

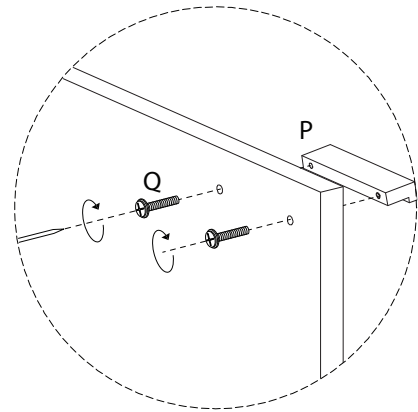
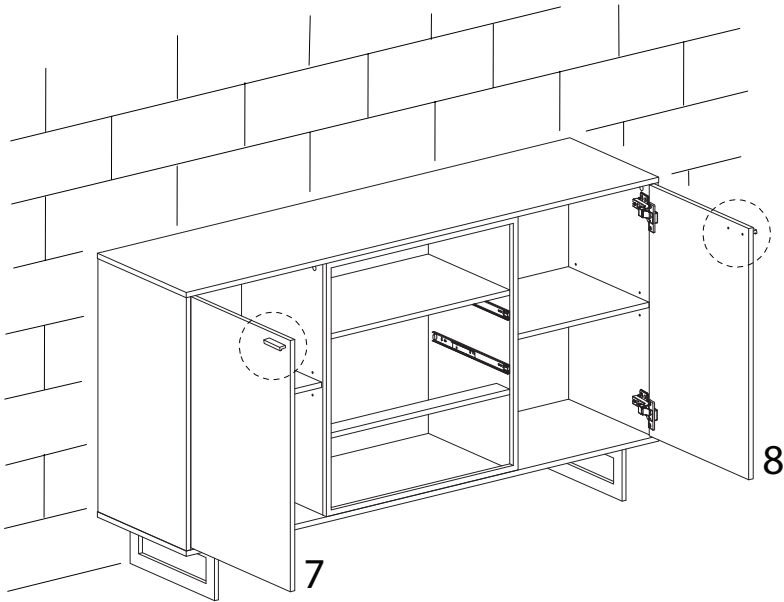


x 2

Q

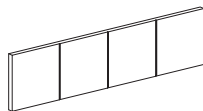


x 4



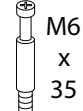
30 x 2

15

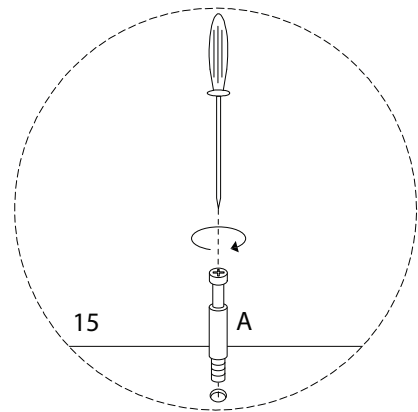
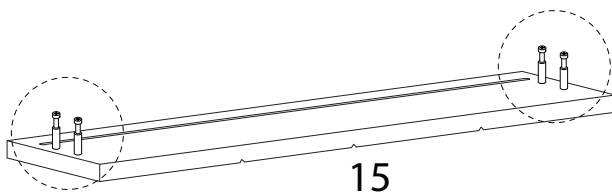


x 1

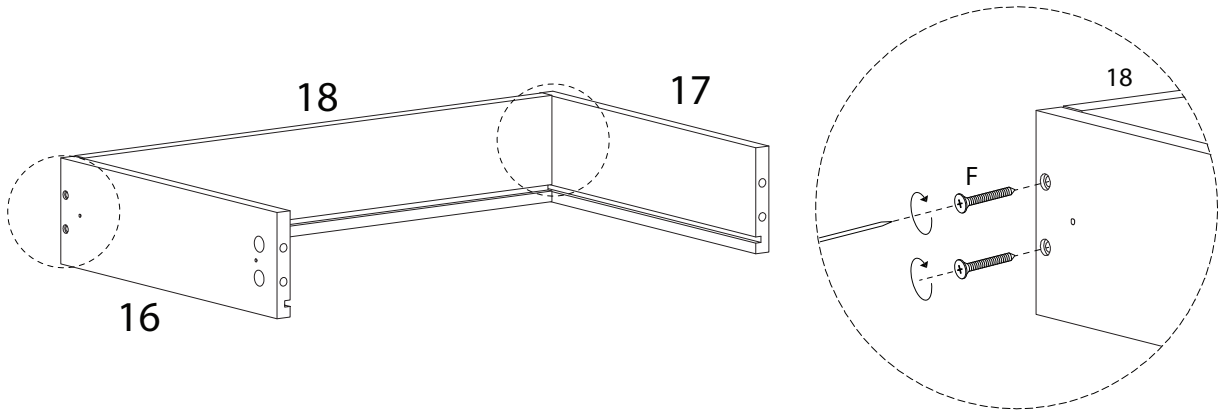
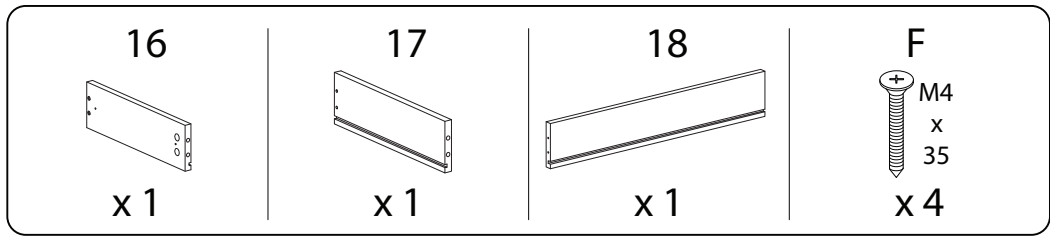
A



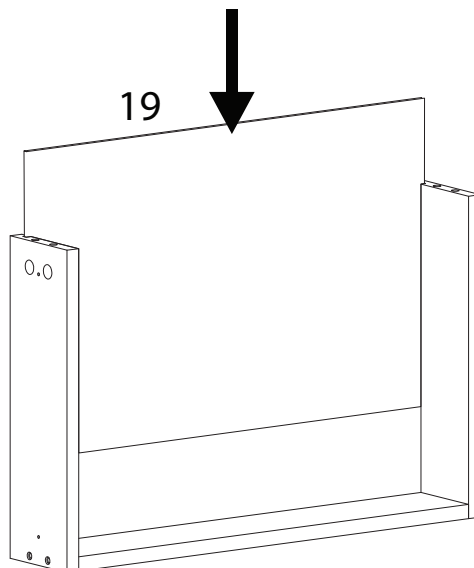
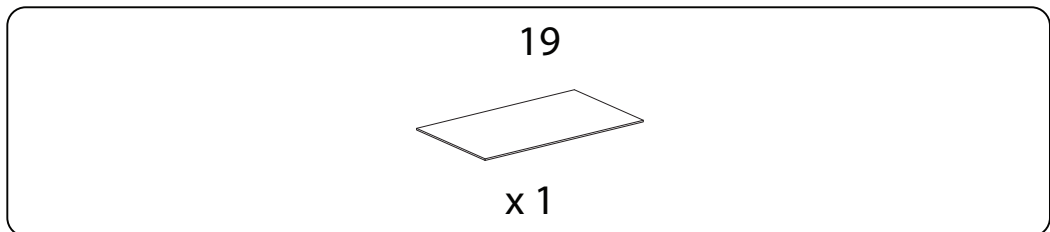
x 4



31 x 2



32 x 2

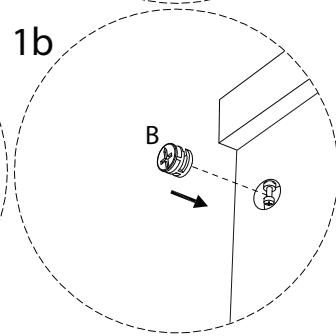
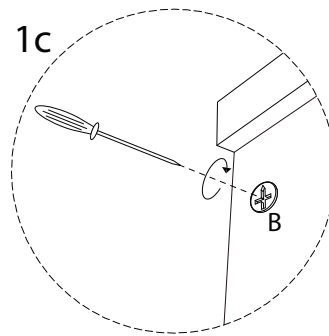
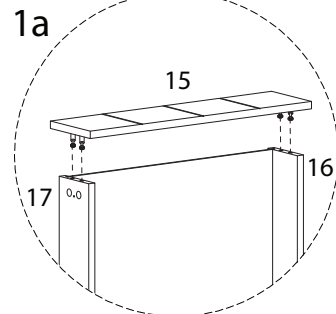
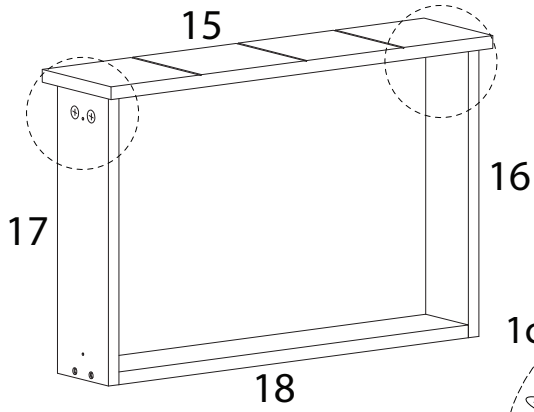


32 x 2

B

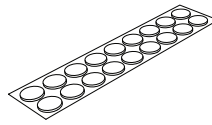


x 4

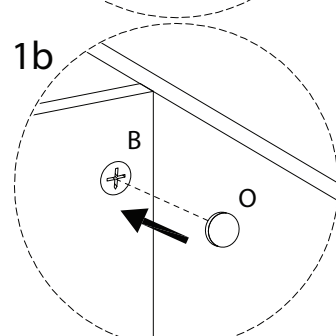
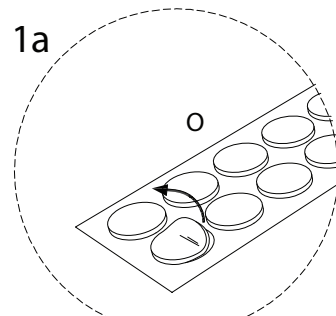
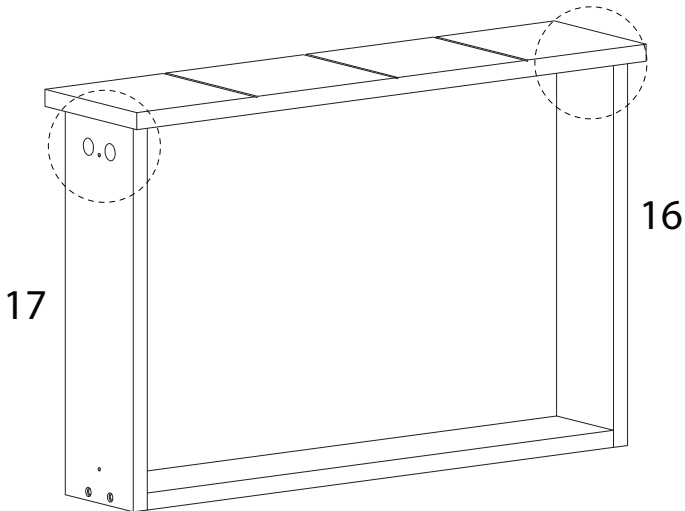


33 x 2

O

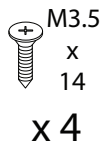


x 4



34 x 2

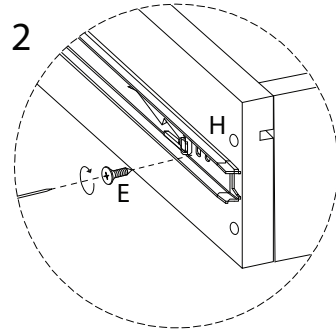
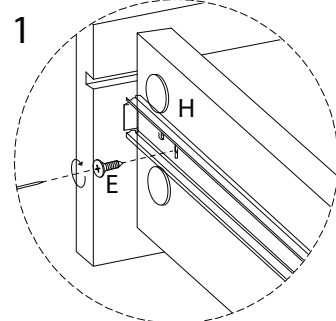
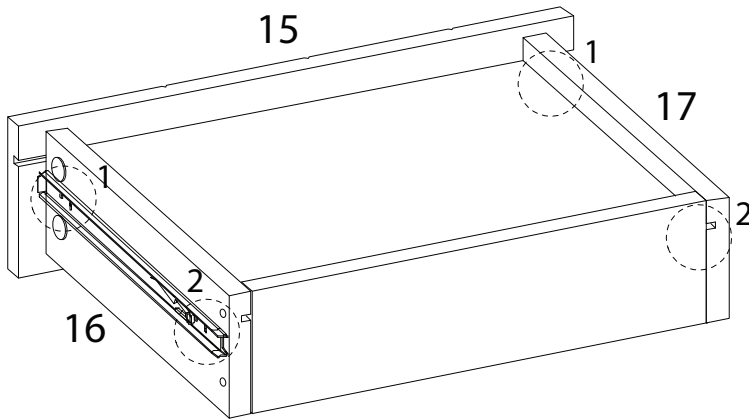
E



H



x 2



35

