

AREBOS

Infrared heater 2500 W with remote control

AR-HE-HS2500FB



Please follow all security measures in this user's manual to ensure a secure use.



Thank you for trusting in AREBOS.

Contents

1. Safety instructions.....	3
1.1 Symbols	3
1.2 General instructions	3
1.3 General safety distances.....	5
1.4 Distances to the bathtub, sink or other sanitary facilities.....	6
2. Parts list	6
3. Technical specifications	6
4. Use.....	7
5. Installation	7
5.1 Setting up the device	7
5.2 Wall mounting	7
6. Use.....	9
6.1 Commissioning and operation	9
6.2 How the remote control works.....	11
7. Cleaning, maintenance and service	12
7.1 Maintenance.....	12
7.2 Cleaning	12
7.3 Exemplary cleaning of the reflector	12
7.4 Service and repair	13
7.5 Change bulb.....	14
8. Troubleshooting	17
9. Disposal Instruction	18
9.1 Disposal of the packaging	18
9.2 Disposal of waste equipment	18
9.3 Meaning of the "dustbin"	18

Please read and save these instructions. Read through this user's manual carefully before using product. Protect yourself and others by observing all safety information, warnings and cautions. Failure to comply with instructions could result in personal injury and/or damage to product or property. Please retain instructions for future reference.

1. Safety instructions

1.1 Symbols



By means of a CE marking, it can be recognized that a product complies with the legal requirements of European legal standards and therefore may be traded within the European Community.



This product **must not** be disposed of with household waste!



This product has been tested and certified by TÜV Saar. The symbol "GS" stands for tested safety. Products marked with this symbol comply with the requirements of the German Product Safety Act (ProdSG).

1.2 General instructions

- This device is manufactured in compliance with safety regulations. Usage against the roles causes harm to person and device. Please read the User Manual carefully before operating the device. You will find important information inside the User Manual regarding mounting, safety, usage and maintenance.
- Thus, you will both protect yourself and prevent the device from coming to harm.
- If the power cord is damaged, it must be replaced by the manufacturer or its service agency or an equally qualified person to prevent a dangerous situation.
- It must be checked whether there are breaks or deformations on the heating element present on the device. If glass pipes are damaged, the heater must not be used. Authorized service must be called.
- It must be ensured that the main power is 220-240 V AC, 50/60 Hz and the power line is connected to the fuse. Mains safety must be checked. Fuse must be 16 Amperes. Please use a time-lag fuse!
Your device must be used with grounded socket and grounded socket must be outside the heater area and the hot surface.
- Also, it must be checked whether the socket is loose or damaged. Because loose sockets damage the device and the power main.
- Power cord must not be left on the hot body of the device or near it.
- If the device is not used, moved to another location, cleaned or calibrated for an extended period of time, unplug the device from the wall outlet. Make sure that the unit has cooled down completely.
- The device is not intended for use by persons (including children) with reduced physical, sensory and mental capabilities or lack of experience and knowledge, unless they have been given supervision or instruction concerning the use of the appliance by a person responsible

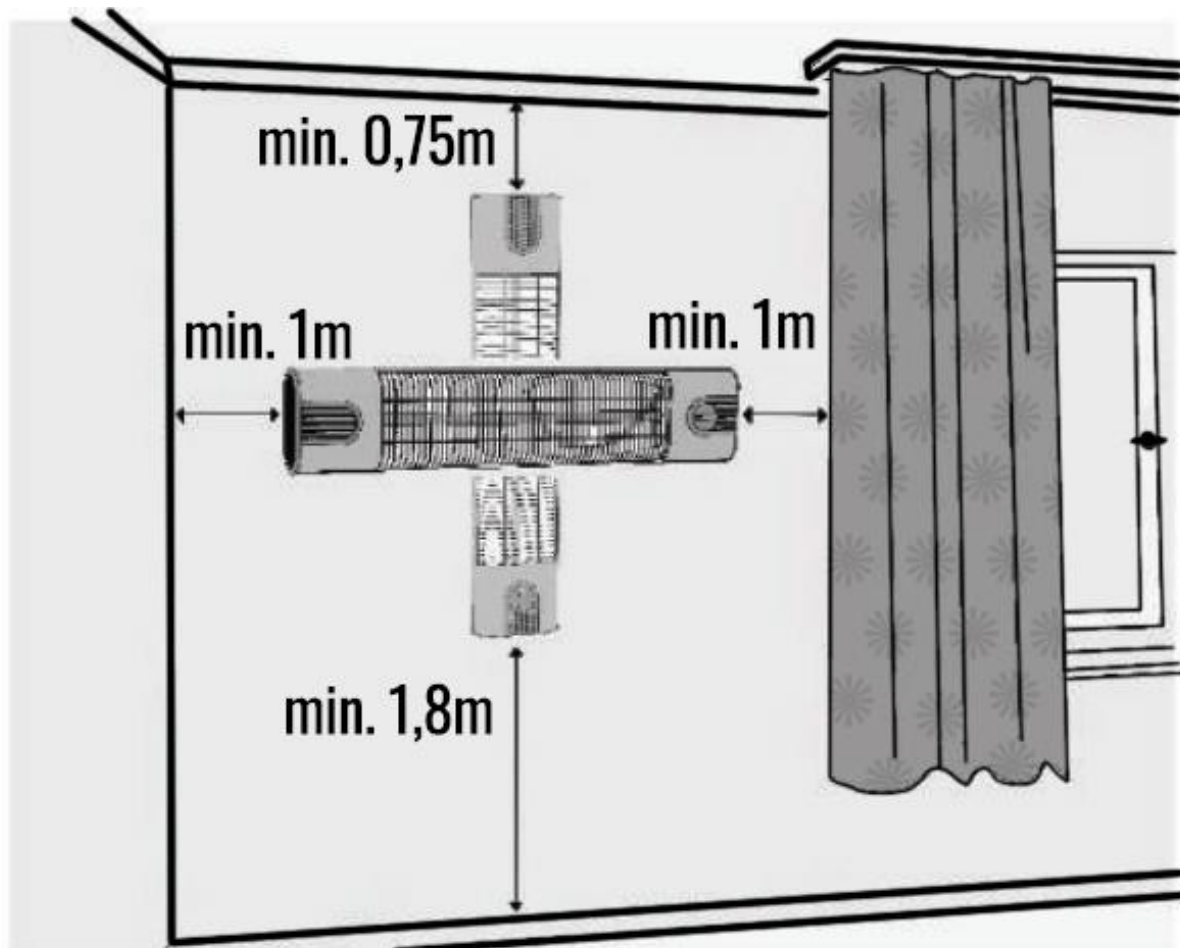
for their safety.

- Make sure that the device does not come into contact with wet hands or water under any circumstances.
- If your device will not be used for a long period of time, if cleaning or maintenance will be conducted, the device must be unplugged. It must be ensured that the device has cooled down.
- Ensure that the power cord and the plug is clean and dust-free prior to use.
- Do not pull on the cable while pulling out or plugging in the power plug, always hold the plug itself. Do not touch the power cord with wet hands. The power cord must not be structurally altered, otherwise it may cause malfunction, electric shock or even fire.
- Do not make knots or kinks in the power cord, as this can quickly lead to an electric shock or even fire. Do not place the supply cable under heavy objects, as this can quickly lead to an electric shock or even fire.
- Do not turn off your heater only by unplugging it or shutting down the fuse, but always use the function button on the heating element.
- Covering or improper installation may cause a fire, so the unit should always be kept clear during operation.
- The flame protector of this heater is for preventing direct access to the heater elements and must be in place while the heater is in use.
- Do not use your device outside its intended purpose. (Do not use it for drying clothes or keeping animals or plants warm.)
- Never try to clean the device with solvents or flammable liquids. (It may cause electric shock or fire!)
- Do not operate the device while sleeping or while away from where the device is located.
- Refrain from using extending cord, it might cause fire due to overheating. If you have to use an extending cord, the cable cross section must be at least 2 mm² (14 AWG).
- The device should only be used on level and smooth surfaces, but never in unstable or unsafe locations.
- Do not try to disassemble or repair the heater. Never shake the heater.
- There must be at least 39.4 in (1 m) of space between the heater and curtains, wood, cardboard, textiles, any other materials, living organisms and other equipment. There is a risk of fire!
- A faint smoke and smell might form during the first use of your device. This is normal. Do not touch the device while running or right after operation.
- Device must be unplugged before cleaning. Do not clean your device with a steam cleaner.
- Children should be supervised to ensure that they do not play with the appliance. Flame protector does not provide a full protection for small children and handicapped people.
- Keep the device dry and protect it from moisture or wetness.
- Do not cover the device to avoid overheating. Do not block the ventilation slots and the areas around the wires.
- This device is for children from 8 years or older. In addition, for people who are physically, sensory or mentally limited, if they have been explained in advance the correct use of the device and then they can use it safely, but also can estimate the potential dangers.
- Children should not play with this device!
- Cleaning and maintenance should not be done by children without supervision!
- This device is for children from 8 years or older. In addition, for people who are physically, sensory or mentally limited, if they have been explained in advance the correct use of the device and can use it safely, but also can estimate the potential dangers.
- Do not put fingers or other objects through the protective grid.
- The device must not be placed directly under a socket.

- Do not move the device while it is in operation. After switching off the appliance always wait until it has cooled down before you touch it. Do not use the heater in conjunction with a thermostat or similar temperature controller.
- When the desired heating level has been set, do not leave the heater in confined rooms where there are people who cannot leave the room.
- Keep flammable materials (gasoline, alcohol, etc.) at least 300 in (7.60 m) away and do not operate the device near motor vehicles (cars, motorcycles, etc.). Do not place flammable materials such as solvents, thinners, etc. on or near the heater or nearby, or any household electrical appliances.

1.3 General safety distances

- There must be at least 29.5 in (0.75 m) distance between the heater and the ceiling.
- The distance of the device from the ground must be at least 71 in (1.80 m) when wall-mounted.
- There must be at least 1 meter of space between the heater and curtains, wood, cardboard, textiles, any other materials, living organisms and other equipment.

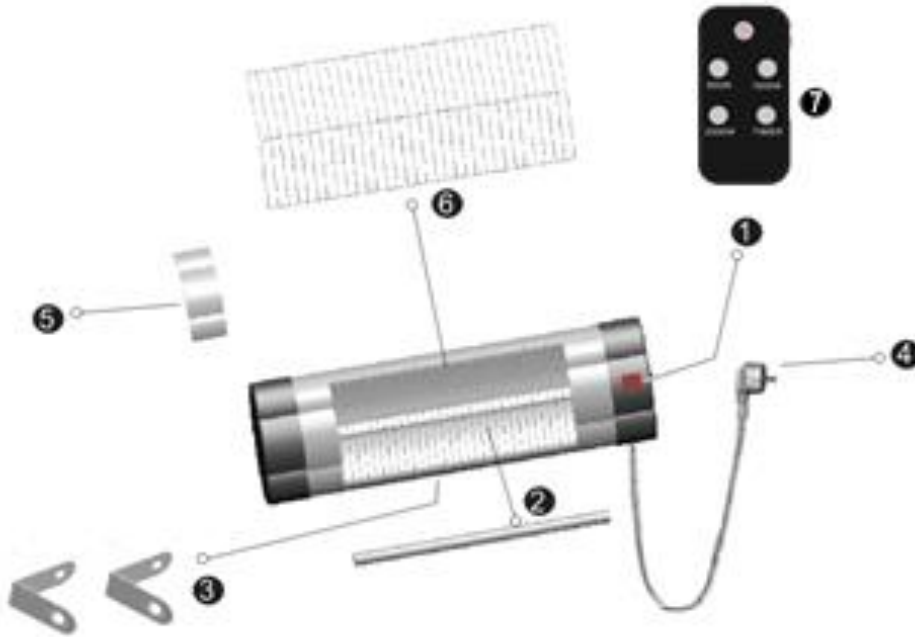


Note: No vertical mounting possible, picture is only for distance clarification!

1.4 Distances to the bathtub, sink or other sanitary facilities

- For the use of the heater in the bathroom, the following should be noted:
 - In the bathroom, the device should be mounted so that during bathing or showering the switch or other parts are for no one - at no time - accessible.
 - The mains plug should be at least 23.6 in (0.6 m) away, for extra safety, over 1 meter from the bath, sink or any other sanitary equipment.

2. Parts list



1. Switch
2. Heating element
3. Bracket
4. Cable
5. Safety bar
6. Hoods
7. Remote control

3. Technical specifications

Model	AR-HE-HS2500FB
Power	2500 W
Material	Aluminium
Voltage	AC 220 - 240 V
Frequency	50 Hz
Cable length	78.7 in (2 m)
Protection class	IP20
Heat steps	1
Size telescopic pole	43.3 - 70.9 in (110 - 180 cm)
Weight	10.1 lbs (4,6 kg)
Dimensions	34 x 27.6 x 70.9 in (86,5 x 70 x 180 cm)

4. Use

- The heater heats with the latest infrared technology. Pleasant warmth, as you know it through warm sunlight. The new infrared radiation does not primarily heat the air, but the people and objects that are within reach. As a result, the infrared radiation is perceived as very pleasant and can be very effective. Only through this mode of action infrared radiators are particularly suitable for outdoor use.

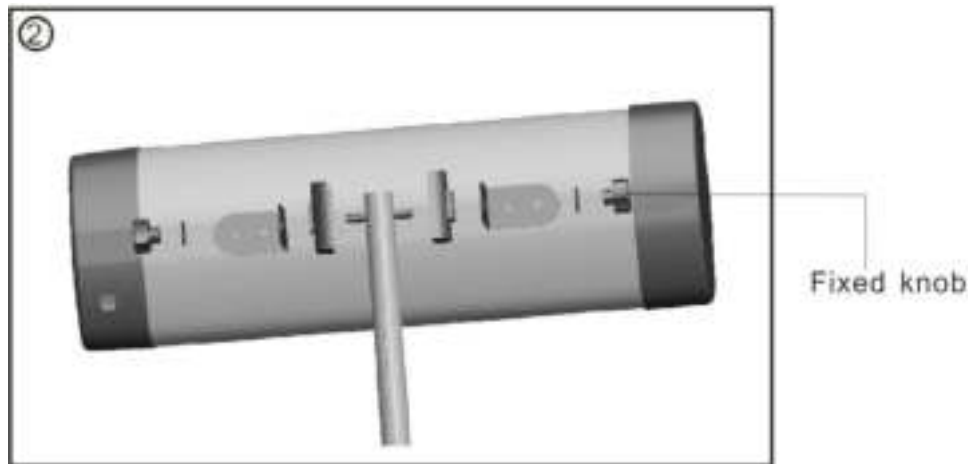
5. Installation

5.1 Setting up the device

Hints:

- Do not place the device in the immediate vicinity of curtains and other flammable materials.
- When setting up the device, ensure a secure, horizontal and stable position.
- Make sure that the device is never placed outdoors near water (swimming pool, pond, etc.).
- The infrared heater must not be installed and operated in environments containing acids, steams, explosive or flammable gases.

Procedure



- Loosen the fixed knob on the pipe, place the product holder on the pipe component as shown

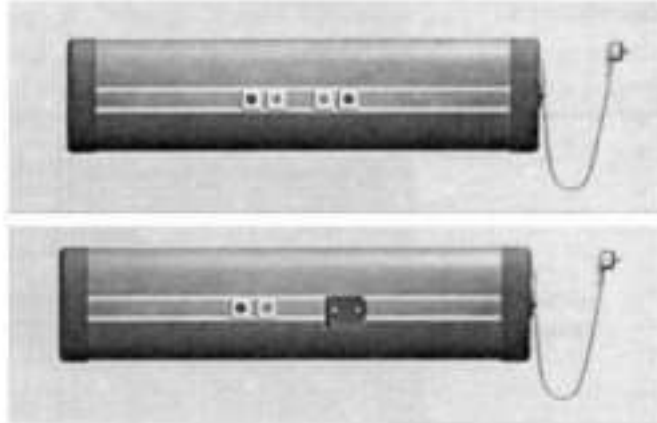
5.2 Wall mounting

Hints:

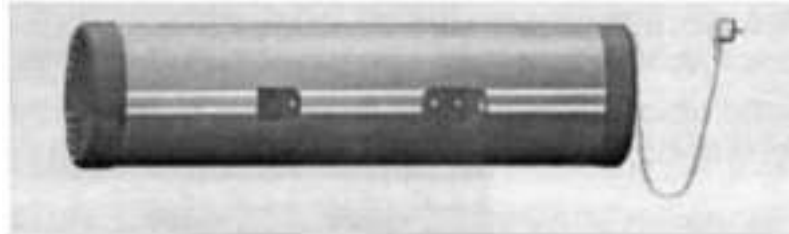
- Attention! The device must be installed on solid surfaces such as concrete and metal. Never install on flammable surfaces!
- For wall mounting, check at the intended mounting location of the holder whether there are pipes or lines in the wall.
- Install the heater strictly in a horizontal position, i.e. parallel to the ground!
- Set up the radiant heater at a reasonable angle.
- Prevent heat loss through the windows. If you want to install more heaters in an integrated heating system, consult a qualified professional.

Procedure

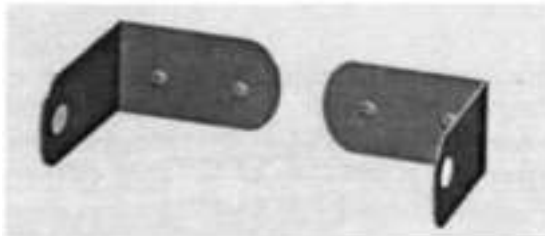
- There are 4 brackets and fasteners used with the heater. Furthermore, in the canal of the back side of the heater there are 4 square fastener washers 0.984 x 0.984 in (25 x 25mm). Relieve square washers and fasten 2 brackets to the canal of the backside of the heater by the help of screws.



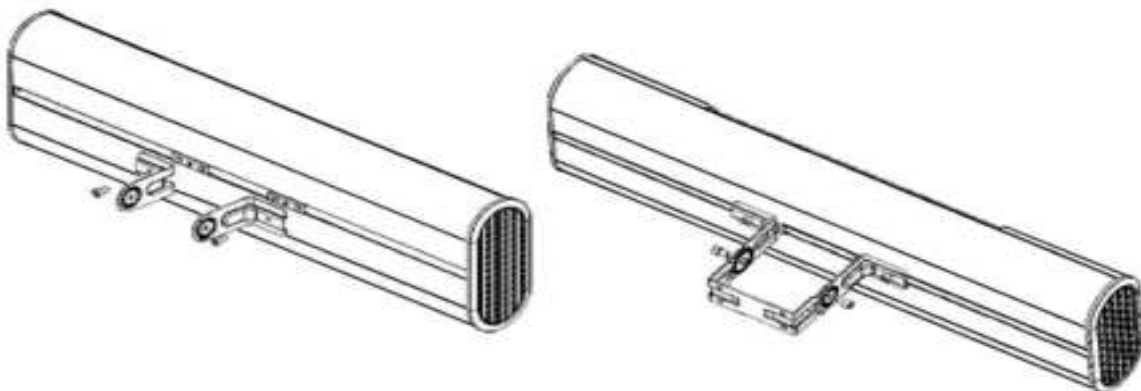
- Fasten the brackets at the appropriate distance of each other (17.7 - 21.7 in (45-55 cm)).



- Two other brackets are fastened by the help of fasteners at the appropriate distance on the wall parallel to the floor (at least 71 in (1.80 m) from the floor and at least 29.5 in (0.75 m) from the ceiling).



- Join the brackets on the heater with the brackets, fastened on the wall, with help of figured screw-nuts. Install the heater under necessary angle (in the direction to the area being heated).



- Electric wiring for the heater has to be done by the qualified specialist.

6. Use

6.1 Commissioning and operation

- Turn on the power. A buzzer will beep once, the digital screen and the display will not be displayed. At this point, press the ON/OFF button to enter standby mode.
- Press the power button to select the power level. The P.0 indicator appears on the screen and the indicator flashes three times to indicate that the unit is in standby mode.



- The P1 indicator appears on the screen and flashes three times to indicate that the unit is in low operating mode.



- Press the function button again until the middle level, the buzzer will beep once, the P2 indicator will appear on the screen and the indicator will flash three times to indicate that the unit is in medium operating mode.



- Press the function button again, the buzzer will beep once, the display P3 will appear on the screen and the indicator will flash three times to indicate that the unit is in high operating mode.



- Press the function button again. You can select a low, medium, and high level, the P.0 indicator appears on the screen, and the indicator flashes three times to indicate that the unit is in standby mode.

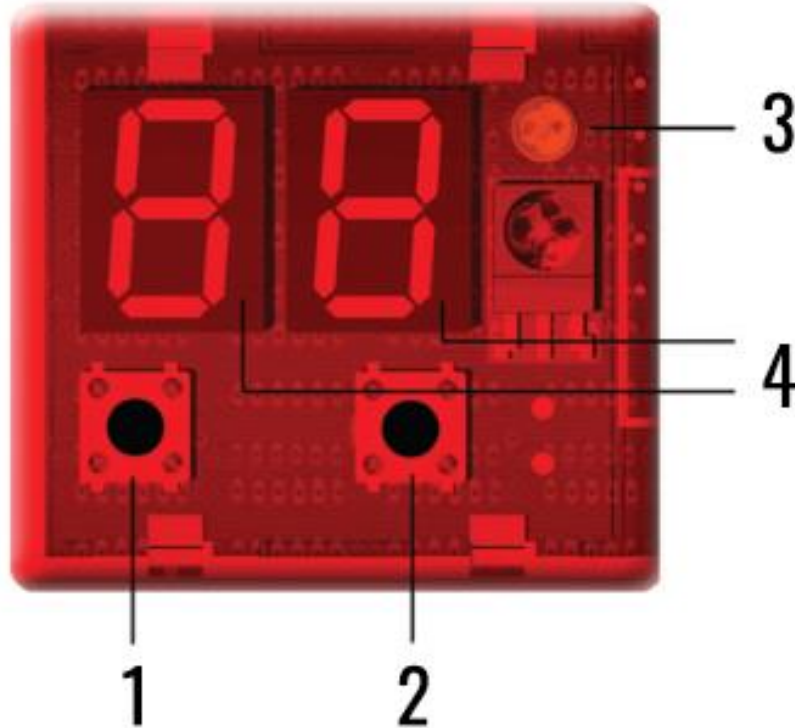


- If you press the function button continuously, "P0 - P1 - P2 - P3 - P0" appears on the display according to the device mode "standby --- low --- medium --- high --- standby".
- If you press the timer button in standby mode, you can set the time from 1 to 24 hours on the device. After setting the time, the indicator lights up, which indicates that the unit has been selected as a timer function. "0" indicates the time not set.
- When the device is in operation, the digital screen always displays the power status (P1-P2-P3). The timer setting means that the device has set a timer function from 1 to 24 hours. To display the regular time, press the timer button; the displayed time is the current setting time. At this time, the indicator will also flash three times to indicate that the unit has entered the timer setting status.
- After the function is switched on, the time can be set from 1-24 hours with the digital screen displaying (0.1) a time of one hour and (0.2) a time of two hours.



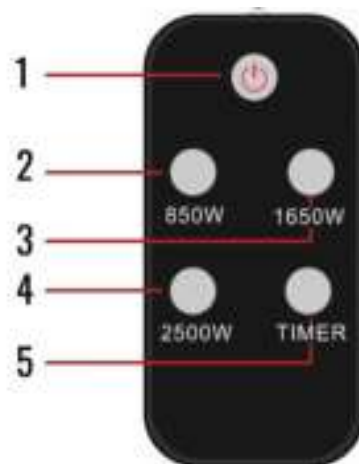
Remarks:

- The heater will start working at the power level at which it was turned off.
- Press the ON/OFF button on the remote control or on the unit itself to turn off the heater.
- After a power failure, the heater will start to operate in standby mode.
- After each command a tone beeps.



1. ON/OFF/Power mode button
2. Timer button
3. Power level indicator
4. LED

6.2 How the remote control works



1. On/Off: Switches the heater on or off or switches to standby mode.
2. First stage: low heating level
3. Second stage: moderate heating level
4. Third stage: high heating level
5. Timer: Turns off the heater in the current time and starts the standby mode.

7. Cleaning, maintenance and service

7.1 Maintenance

- It is very important to perform careful and regular maintenance of the device in accordance with the recommendations made in this manual so that it can run efficiently for a long time. In case there is a problem with your heater, please contact a qualified specialist.
- Before maintenance or cleaning work, the device must be disconnected from the electricity grid.
- Once a month, a check should be made as to whether there is any potential contamination.
- If the infrared heater is dirty, careful cleaning should be performed. See point Cleaning.
- Of course, the above checks are always dependent on how much pollution is present at the respective location of the device.
- The reflector and the tube should also be visually inspected for deformation or damage. In the case of conspicuous deformations or glass breakage, please contact a qualified specialist to take the necessary steps.
- The power cord and plug must also be checked while the unit is being cleaned. If the power cord or plug shows any deformation or damage, please contact a qualified professional immediately.

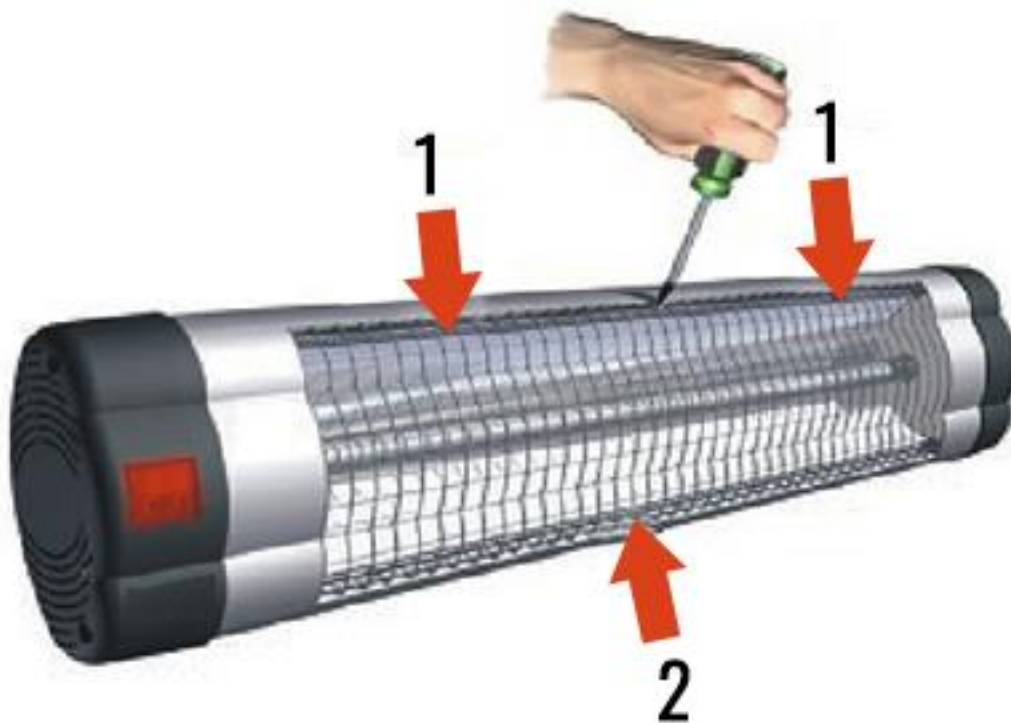
7.2 Cleaning

- Attention! Regular and thorough cleaning ensures longevity and optimum performance.
- The unit must be switched off and the power cord disconnected from the circuit. In addition, it should cool sufficiently before cleaning.
- If the tube is dirty, clean it with dry compressed air without removing the protective grid. Do not attempt to clean the device using solvents or other flammable liquids. (This can cause an electric shock or fire). Also, do not use a steam cleaner.
- Clean the outside surface of the unit with a soft cotton cloth, microfiber cloth or a soft brush.
- Do not use corrosive cleaning agents or solvents to clean the infrared heater. These can damage the surface and components.
- Turn on the unit again when it is completely dry and clean.

- If the device is to be stored for longer, cover it with a protective cover to avoid dust on the device and sensitive points. Always disconnect the power plug and switch off the power!

7.3 Exemplary cleaning of the reflector

- Disconnect the power adapter cable from the electrical outlet.
- Remove the heater from the safety bar.
- Remove hood (6) as shown in the picture
- Take out the front grid wire through the inlets on the frame using a slotted screwdriver.



- The reflector and filament must be cleaned with a soft cloth, a smooth brush or cool or dry air. The cloth may be damp but never too wet and the cleaner should not include any chemical.
- Do not use detergents that can damage the reflector. The wiping must be done very carefully without scratches.
- Insert the wire grid using a slotted screwdriver.

Make sure the heater does not have these errors:

- Check if the thermostat can be switched on or off.
- Check that the heater is properly connected to the electrical wiring.
- Check the intactness of the electrical wiring.

7.4 Service and repair

- If there is any damage or discrepancy on your device, it must only be checked and repaired by a specialist. This can be a recognized electrician. Damage or malfunctions that occur as a result of unauthorized repair, as well as changes to the device, misuse, negligence and improper and inadequate maintenance invalidate the warranty. The manufacturer cannot be held liable.

7.5 Change bulb



Step 1:

Dismount the heater from tripod to get best access to the housing. Preposit all the tools you need (crosstip screwdriver, open end wrench, pliers) and wear gloves to protect yourself from being hurt.



Step 2:

Remove the black cover by unscrewing the inlying cover screws with a screwdriver.



Step 3:

You can now easily loosen the cover to put it aside.



Step 4:

Remove the small cover, you can easily slide it out sideways.



Step 5:

You can now see the distribution box. To get access to further components, please pull aside the rubber tip.



Step 6:

Use a wrench or pair of pliers to unloose the nut (and the following ring), which protects the cable connection.



Step 7:

Turn the heater upside down and unloose the inner screw on the backside, to release the bracket of the bulb. Don't forget to tighten the screw at the backside.



Step 8:

Pull of all the unfixed components. You can now reach the lamp.



Step 9:

The damaged bulb can now be extracted and replaced. To install the new heating element please proceed in reversed order.

8. Troubleshooting

Problem	Cause	Solution
<p>The heater doesn't work.</p>	<ul style="list-style-type: none"> - No voltage. - Incorrect position of the switch. - Incorrect installation or instructions not followed correctly. 	<ul style="list-style-type: none"> - Check the socket and the fuse. Check whether the mains plug, including the one inside the standpipe and the burner head, has been correctly inserted. - Check that the device's switch is in the correct position. - Make sure that you have followed the instructions in the manual correctly. If the problems still persist, contact a qualified specialist.
<p>The device is connected to a power outlet, but the heating sheets are not lit.</p>	<ul style="list-style-type: none"> - The device is not switched on. - The tilt protection has triggered. - Heating sheet defective. 	<ul style="list-style-type: none"> - Check the setting on the on / off switch and, if necessary, push the switches upwards to switch on the device. - Check the stand of the device. The tilt protection triggers automatically from a 45 ° inclination and switches off the heating sheets. Put the device upright again. - Have the broken heating sheet replaced by an electrician.

9. Disposal Instruction

9.1 Disposal of the packaging

- Please make reference to the guidelines and standards for appropriate disposal of the packaging valid in your region. In part, the package may consist of plastic bags - watch this respect, with special care to ensure that this is not out of the reach of children. There is a risk of suffocation!

9.2 Disposal of waste equipment

- Equipment must be disposed of in accordance with the rules and regulations of the local waste disposal.

9.3 Meaning of the "dustbin"



Protect our environment; electrical appliances do not belong in household waste. Use the provided for the disposal of electrical equipment collection points and enter your electrical and electronic equipment that you no longer use. They help ensure that the potential effects of incorrect disposal on the environment and human health to be avoided. So, do your part to recycle, recycling and other forms of recovery of waste electrical and electronic equipment. Information on where the devices are disposed of, please contact your local authorities or local Governments.

Our customer service number: +49 (0) 931-45232700

EU Declaration of Conformity

We,

Canbolat Vertriebs GmbH, Gneisenaustraße 10-11, 97074 Würzburg, Germany,

Hereby declare that the product named below, seen its design and construction as well as according to our sales, has been complied with the relevant and basic health and safety EU-requirements.

Name of the product: Infrared heater 2500 W

Model Nr.: AR-HE-HS2500FB

Art. Nr.: 4260551587351

If the product has any modification not allowed by us, this declaration loses its validity.

Tested acc. to:

EU Standard:

EN 60335-2-30:2009+A11:2012

EN 60335-1:2012+A11:2014

EN 62233:2008

Date/Manufacturer Signature/Location:

Würzburg, 23.07.2019



Identification of the signatory:

Korhan Canbolat, head of the company

Authorised representative for the technical documentation:

Korhan Canbolat

Office address:

Canbolat Vertriebs GmbH

Gneisenaustraße 10-11

D-97074 Würzburg

Return address can be found in the imprint: <https://www.arebos.de/impressum/>

VAT identification number: DE 263752326

Court of the Commercial Register is Würzburg, HRB 10082

WEEE Reg.-No. DE 61617071