

YUNA

SIVA 1360Y



Instruction Manual

Dear Customer!

We would like to thank you for purchasing this YUNA-product. Please read the complete instruction manual before you operate the appliance for the first time.

Retain this instruction manual in a safe place for future reference. If you transfer the appliance to a third party, also hand over this instruction manual.

INDEX

1.	Safety information	2
1.1	Signal words.....	3
1.2	Safety instructions.....	3
2.	Installation.....	5
2.1	Important safety information	5
2.2	General information.....	6
2.3	Device components.....	7
2.4	Installation: Exhaust air operation.....	7
2.4.1	Installation steps.....	8
2.5	Installation: Air recirculation.....	13
2.6	Carbon filter.....	14
3.	Operation.....	15
3.1	Control panel.....	15
3.2	Reduction of the environmental impacts of cooking	16
4.	Cleaning/maintenance	16
4.1	Grease filter(s)	17
4.2	Carbon filter(s).....	17
4.3	Replacing of the illuminant.....	17
5.	Trouble shooting.....	18
6.	Technical data.....	20
6.1	Information in accordance with Regulation (EU) 66/2014.....	20
6.2	Relevant data for installation.....	21
7.	Waste management.....	21
8.	Guarantee conditions.....	22



Do not dispose of this appliance together with your domestic waste. The appliance must be disposed of at a collecting centre for recyclable electric and electronic appliances. Do not remove the symbol from the appliance.

- ① The figures in this instruction manual may differ in some details from the current design of your appliance. Nevertheless, follow the instructions in such a case. Delivery without content.
- ① Any modifications, which do not influence the functions of the appliance, shall remain reserved by the manufacturer.
- ① Please dispose of the packing with respect to your current local and municipal regulations.
- ① The appliance you have purchased may be an enhanced version of the unit this manual was printed for. Nevertheless, the functions and operating conditions are identical. This manual is therefore still valid.
- ① Technical modifications as well as misprints shall remain reserved.

EU - DECLARATION OF CONFORMITY

- ★ The products, which are described in this instruction manual, comply with the harmonized regulations.
- ★ The relevant documents can be requested from the final retailer by the competent authorities.

THESE OPERATING INSTRUCTIONS MUST ALWAYS BE ACCESSIBLE TO ANY PERSON OPERATING THE APPLIANCE; MAKE SURE THAT THE OPERATING INSTRUCTIONS HAVE BEEN READ AND UNDERSTOOD BEFORE OPERATING THE APPLIANCE.

1. Safety information

READ THE SAFETY INFORMATION AND SAFETY INSTRUCTIONS CAREFULLY BEFORE YOU OPERATE THE APPLIANCE FOR THE FIRST TIME.

All information included in those pages serve for the protection of the operator. If you ignore the safety information and safety instructions, you will endanger your health and life.

- ! Store this manual in a safe place so you can use it whenever it is needed. Strictly observe the instructions to avoid damage to persons and property.
- ! Check the technical periphery of the appliance! Do all wires and connections to the appliance work properly? Or are they time-worn and do not match the technical requirements of the appliance? A check-up of existing and newly-made connections must be done by an authorized professional. All connections and energy-leading components (incl. wires inside a wall) must be checked by a qualified professional. All modifications to the electrical mains to enable the installation of the appliance must be performed by a qualified professional.
- ! The appliance is intended for private use only.
- ! The appliance is intended for cooking in a private household only.
- ! The appliance is intended for indoor-use only.

- ! The appliance is not intended to be operated for commercial purposes, during camping and in public transport.
- ! Operate the appliance in accordance with its intended use only.
- ! Do not allow anybody who is not familiar with this instruction manual to operate the appliance.
- i This appliance may be operated by **children** aged from 8 years and above as well as by persons with reduced physical, sensory and mental capabilities or lack of experience and knowledge if they are supervised or have been instructed concerning the safe use of the appliance and do comprehend the hazards involved. **Children** must not play with the appliance. Cleaning and **user-maintenance** must not be carried out by **children** unless they are supervised.

1.1 Signal words



DANGER!

indicates a hazardous situation which, if ignored, will result in death or serious injury.



WARNING!

indicates a hazardous situation which, if ignored, could result in death or serious injury.



CAUTION!

indicates a hazardous situation which, if not avoided, may result in minor or moderate injury.

NOTICE!

indicates possible damage to the appliance.

1.2 Safety instructions



DANGER!

1. Do not operate the appliance when it does not work properly, is visibly damaged, has dropped down or the power cord/plug are damaged.
2. The power cord must be replaced by a qualified professional only.
3. Never repair the appliance yourself.
4. Do not operate any room-air dependent fireplaces while operating the appliance; otherwise harmful gases will get from the fireplace into your home. **Whenever the hood is operated together with chimney-vented fireplaces** (e.g. coal furnace), ensure there is sufficient air supply in the room where the appliance is installed in. Always consult your local chimney-sweep master. When you operate the appliance in recirculating mode, you can simultaneously run room-air dependent fireplaces.
5. **If gas is set free in your home:**
 - a) Open all windows.
 - b) **Do not** unplug the appliance and **do not** use the control panel.
 - c) **Do not** touch the appliance until the gas has gone.
 - d) Otherwise sparks can be generated which will ignite the gas.

**WARNING!**

1. Whenever you use extractor hoods in combination with non electrically-operated appliances (gas and oil-fired appliances), the negative pressure of the corresponding room must not be more than 4 Pa (4 * 10⁻⁵ bar).
2. An electrical supply of 220-240V AC / 50 Hz is required. Do not use a socket board or a multi socket or an extension cord when operating the appliance with 220–240 V/50 Hz (AC). All electrical connections which may be damaged must be repaired by a qualified professional.
3. Only connect the appliance to a properly grounded and dedicated socket.
4. The appliance must be grounded. Only use a proper safety socket to minimize risk of electric shock. The technical data of your energy supply must meet the data on the rating label.
5. Your domestic circuit must be equipped with an automatic circuit breaker.
6. **Strictly observe the minimum distance between hood and hob (Please be sure to observe the information in chapter 2.1 of this instruction manual).**
7. Do not cook a la flambé dishes below the extractor hood. The flames may damage your appliance and/or cause fire.
8. Do not operate the gas jets of a gas hob without cookware. The flames may damage your appliance and/or cause fire.
9. If you fry, permanently keep an eye on the oil as it can catch fire. The risk of auto-ignition rises when using the oil many times.
10. Do not carry out any procedures on the hob using naked light or fire. The flames may damage your appliance and/or cause fire.
11. The exhaust hose must not be made of flammable materials or contain any flammable materials.
12. Operate the appliance with inserted grease filters only. Otherwise recirculating-transported fat will deposit in the appliance and the exhaust system. RISK OF FIRE! Clean or replace the filters regularly.
13. Disconnect the appliance from the mains before cleaning and maintenance.
14. While unpacking, the packaging materials (polythene bags, polystyrene pieces, etc.) should be kept away from children and pets. CHOKING HAZARD!
15. This appliance may be operated by **children** aged from 8 years and above as well as by persons with reduced physical, sensory and mental capabilities or lack of experience and knowledge if they are supervised or have been instructed concerning the safe use of the appliance and do comprehend the hazards involved. **Children** must not play with the appliance. Cleaning and **user-maintenance** must not be carried out by **children** unless they are supervised.
16. Always supervise children so they will not play with the appliance.

**CAUTION!**

1. Accessible parts of the hood may become hot while cooking.
2. Carry out the installation of the appliance with at **least two persons**. RISK OF DAMAGE! RISK OF INJURY!

NOTICE!

1. The appliance must be transported and installed by at least **two persons**.
2. Unpack the parts of the chimney very carefully; otherwise you will damage the chimney

3. Remove the complete packaging materials before initial operation. The appliance may be equipped with a transportation lock. Remove the transportation lock completely. When removing be very careful. Do not use any aggressive detergents to remove residues of the transportation lock.
4. Clean and maintain the appliance regularly to enable its proper operation and optimal performance.
5. **Take the enclosed parts from the packaging and its polystyrene-components.**
6. Check that the power cord and the appliance are not damaged before electrical connection.
7. The rating plate **must not** be removed or made illegible, **otherwise all terms of the warranty become invalid!**

SAVE THESE INSTRUCTIONS.

☆ The manufacturer and distributor are not responsible for any damage or injury in the event of failure to comply with these instructions.

2. Installation

2.1 Important safety information

Required minimum distance hood to:	
Ceramic-glass rings/hotplates	65 cm min.
Gas cooker	75 cm min.
Coal / oil / stove wood firing	85 cm min.

WARNING!

If you ignore the required minimum distance, the accumulated fat in the filters can catch fire due to the heat emission of the hob. RISK OF FIRE!

1. The minimum distances do not represent the required total height but a minimum value generated by adding the height of the hob (floor ↔ hob) and the required minimum distance of the hob to the extractor hood (hob ↔ extractor hood)

	(floor ↔ hob)
+	(hob ↔ extractor hood)
=	Minimum installation height

2. Adapt the total installation height to the height of the user. Please note that the extraction capacity of the appliance can decrease if installed at a large distance to the hob.

WARNING!

Never install the appliance below the required minimum distance.

**WARNING!**

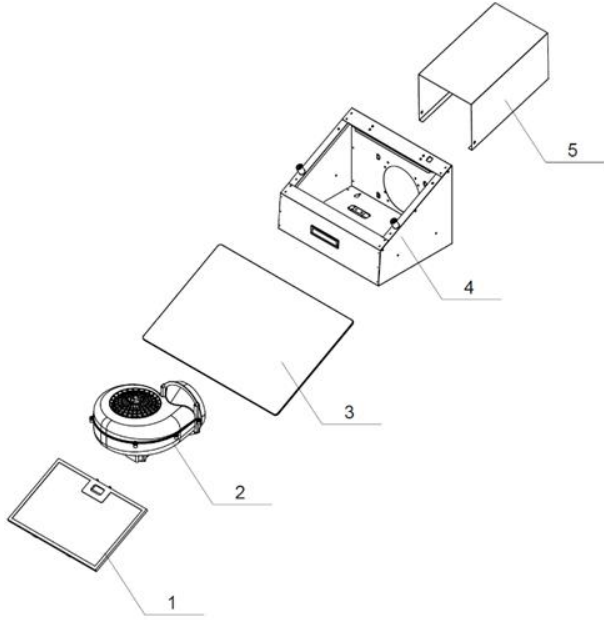
Any potential user has to be careful not to hit their head on the corners and edges of the appliance. RISK OF BRUISES! RISK OF INJURIES IN THE OCULAR AREA!

2.2 General information

**WARNING!**

1. *Do not lead the exhaust air into a chimney which is used for extracting exhaust air of appliances operated by gas or other combustibles.*
2. For extracting the exhaust air always observe the current legal regulations.
3. The diameter of the exhaust hose must meet the diameter of the connecting ring.
4. If your appliance is equipped with a carbon filter, remove the carbon filter before you operate the appliance in the extraction mode. **The carbon filter should be used in the recirculating mode only.**
5. The exhaust duct should be as short and straight as possible. The diameter of the exhaust hose should be at least 120/150 mm (look at chapter TECHNICAL DATA). Otherwise you have to expect increased noise and decreased performance of your appliance.
6. The proper maximum bending angle outwards is 120° .
7. Use smooth tubes or flexible, non-flammable exhaust hoses only.
8. When the exhaust duct is connected horizontally, a minimum falling gradient of 1 cm/m or an inclination of 2° is required. Otherwise condensate will get into the motor of the hood.
9. When an exhaust duct is used, the ending of the exhaust hose must be adjusted into the direction of flow.
10. If the exhaust duct passes through cool areas (e.g. an attic), a temperature gradient may occur in the different parts of the exhaust duct so condensate will be generated. Proper insulation of the corresponding parts of the exhaust duct will then be needed. Equip such an exhaust duct with a condensate trap if need be.
11. **Depending on the model** the hood is equipped with one (top) or two (top, back) outlets.
12. The idle outlet is covered by a plastic cap. You can remove this cap by turning it anticlockwise. Use the cap to cover the idle outlet.

2.3 Device components

 <p><i>(Illustration serves as an example – Modifications are possible)</i></p>	<p><u>Scope of Delivery:</u></p> <ol style="list-style-type: none"> 1. 1 pcs. Grease Filter 2. Motor 3. Metal front 4. Housing 5. Lower and Upper Chimney <p><u>Other Accessories:</u></p> <ul style="list-style-type: none"> - Assembly material - Instruction Manual
--	---

2.4 Installation: Exhaust air operation

! WARNING!

Failure to install the screws or fixing device in accordance with these instructions may result in electrical hazards.

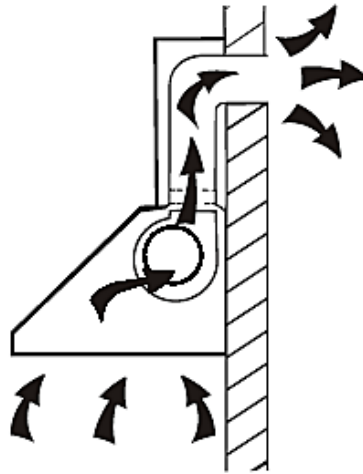
! WARNING!

Do not damage the wiring in the wall while drilling. RISK OF ELECTRIC SHOCK!

! NOTICE!

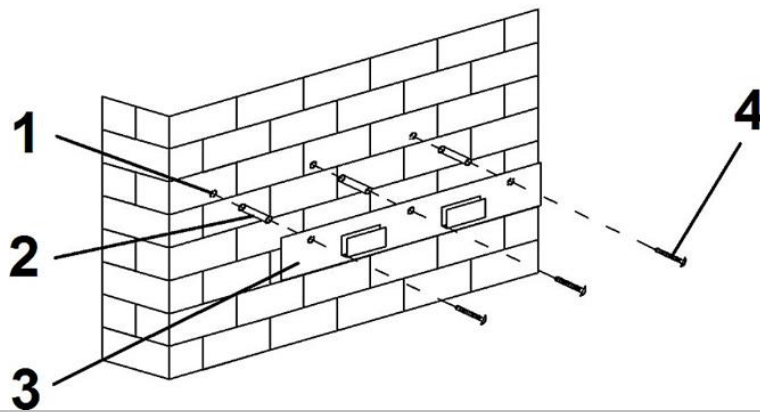
At least two persons are required for installation.

If you have an exhaust air duct to the outside, the extractor hood can be installed by using an exhaust hose (Diameter of the exhaust hose: s. chapter 6. TECHNICAL DATA).



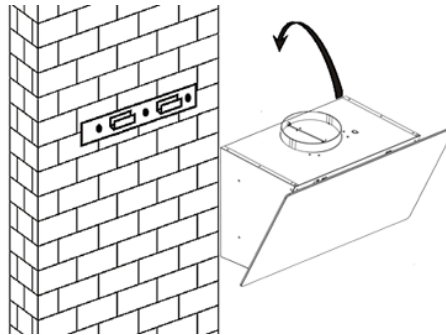
2.4.1 Installation steps

1. Find a suitable position for the extractor hood on the wall. Drill three $\varnothing 8$ mm holes in the wall to attach the wall bracket. Insert the enclosed dowels into the drill holes and fix the bracket to the wall using the screws (ST4*30mm) (s. fig. below). Ensure that all screws are tightened and that the bracket is anchored in the wall properly.

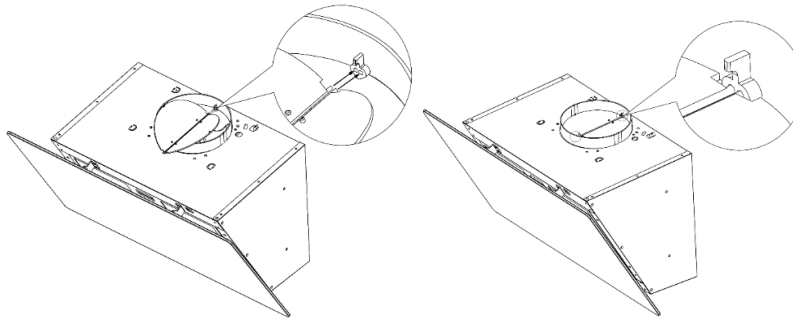


1	Drill holes ($\varnothing 8$ mm holes)
2	Dowels
3	Wall bracket
4	Screws (ST4*30mm)

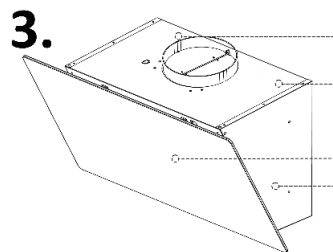
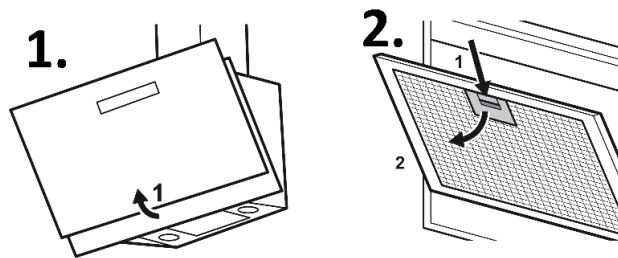
- Lift up the extractor hood and hang it on the wall bracket (s. fig. below). Fix the extractor hood by tightening the screw properly.



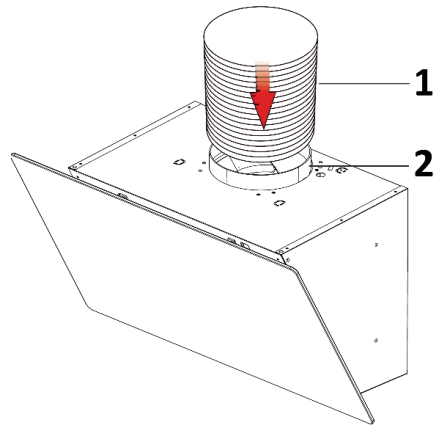
- Attach the non-return valve to the air outlet of the extractor hood.



- Now open the front glass (1.) and remove the aluminium grease filter (2.) and then mark the four drill holes (3.) on the wall. After marking the holes, remove the bonnet from the wall and drill the four \varnothing 8 mm holes. Now press the enclosed dowels into the wall and hang the bonnet on the wall bracket again. Finally, screw the screws into the dowels to secure the cooker bonnet to the wall.



5. Connect the exhaust hose to the non-return valve (s. fig. below).



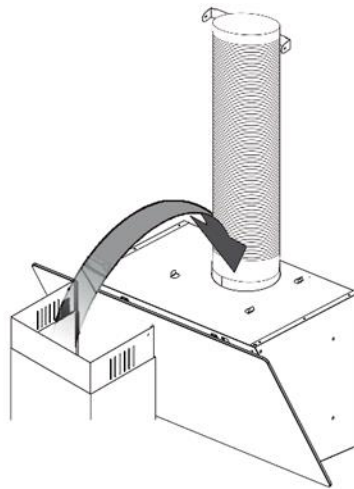
1	Exhaust hose
2	Non-return valve

6. You can install the exhaust air duct as follows:

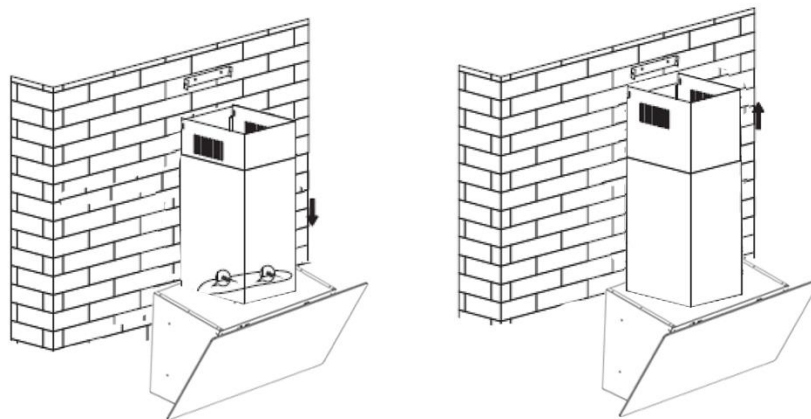
<p>Vertically: Install the exhaust hose to a roof cap*.</p>	
<p>Horizontally: Install the exhaust hose to an exhaust outlet equipped with an air grille*.</p>	

*: Not included in delivery.

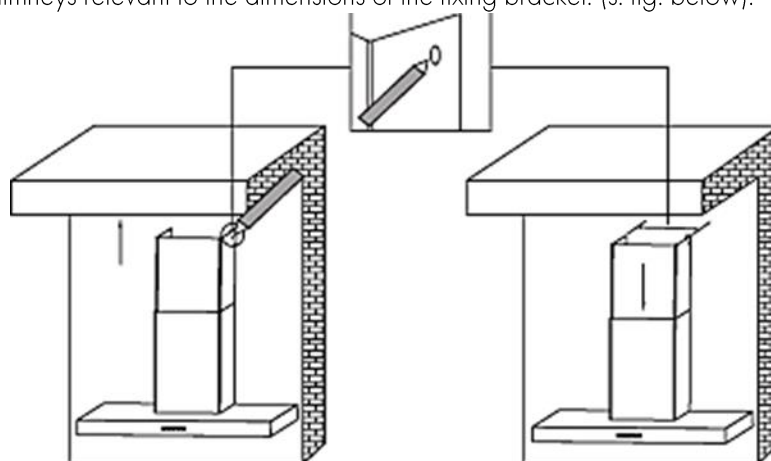
7. Insert the inner chimney into the outer chimnes (s. fig. below).



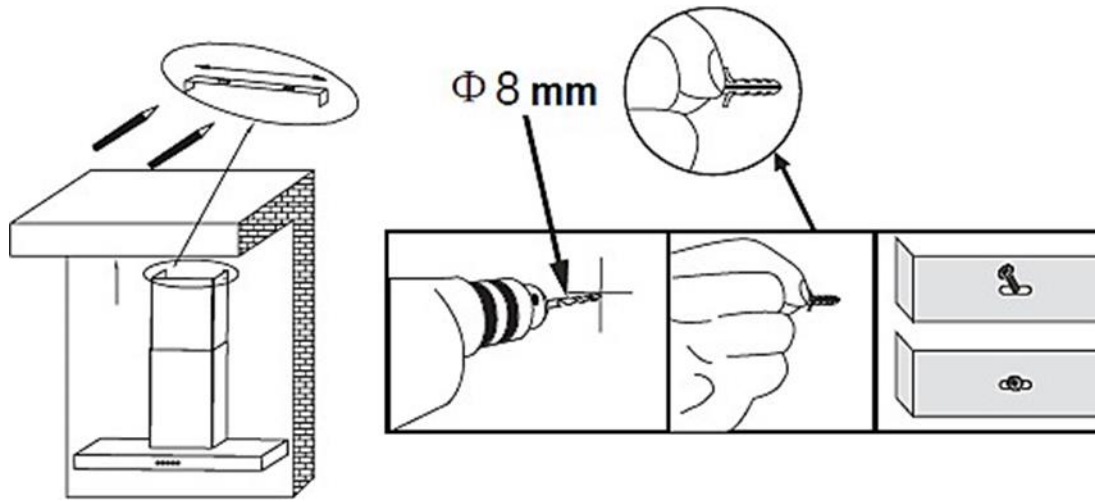
8. Pull the inner chimney upwards and adjust it to the required height (s. fig. below).



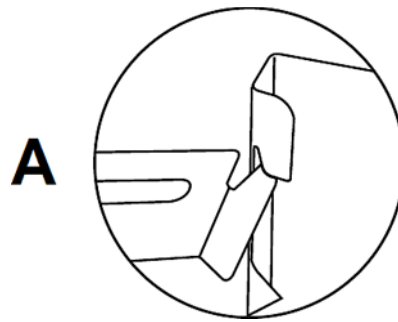
9. Adjust the two chimneys relevant to the dimensions of the fixing bracket. (s. fig. below).



10. Drill two (\varnothing 8 mm holes) for the fixing bracket in the appropriate height. Install the fixing bracket on the corresponding position on the wall (s. fig. below).

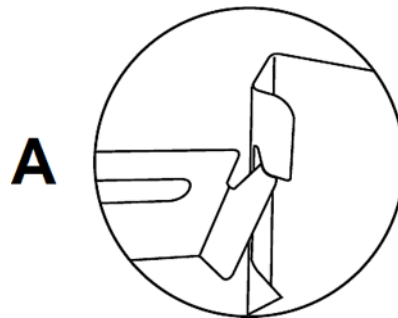


11. Attach the outer chimney by fixing it at both sides (s. fig. A).

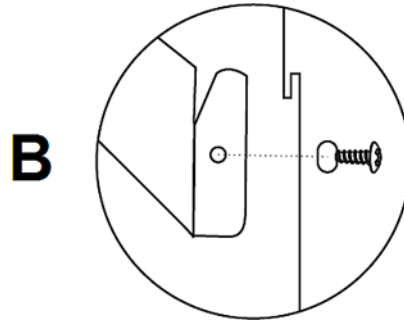


12. The inner chimney can be attached in two ways:

I. Attach the **inner** chimney by fixing it at both sides (s. fig. A)



II. Attach the inner chimney by tightening it using two 3*10 mm screws (s. fig. B).



13. Insert the grease filters and connect the appliance to the mains¹.

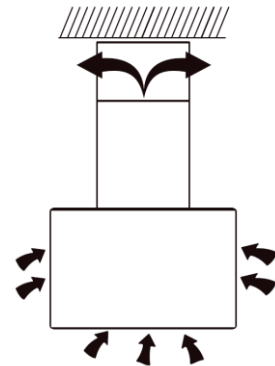
! Check from all sides that the appliance is aligned horizontally; otherwise the appliance will not work properly.

2.5 Installation: Air recirculation

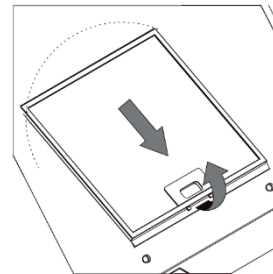
! If you do not use an exhaust air pipe to the outside for the installation of the extractor hood, the exhaust hose is not required.

! The installation of the extractor hood is **similar** to chapter 2.3.1 INSTALLATION STEPS (please ignore point 5. and point 6.).

1. If you do not have an exhaust air duct to the outside, the exhaust air hose is not required. Otherwise, the installation steps are identical to the procedures described under Installation steps (exhaust air ducting to the outside).

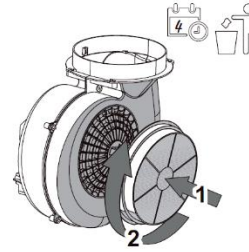


2. You can only use charcoal filters for odour control in recirculation mode. To install the charcoal filters, first remove the grease filter. To do this, press the catch and then pull the grease filter down.



¹ If the socket is covered by the chimney, you must plug in the appliance at an earlier point in time.

- Put the charcoal filter on the motor and turn it clockwise.



2.6 Carbon filter

- !** Carbon filters for the cooker bonnet are available as optional accessories.

Product code : KAF14

! **WARNING!**

Unplug the appliance or disconnect it from the mains (use the relevant fuse in your household fuse box).

! **WARNING!**

*Use the carbon filters in recirculation mode **only**.*

NOTICE!

If the carbon filters are installed, the suction power is reduced.

NOTICE!

Carbon filters are not included in delivery.

NOTICE!

Depending on frequency of use, replace the carbon filters every three to six months. Clean the grease filter(s) regularly for proper operation of the motor.

3. Operation

3.1 Control panel

CAUTION!

The lamp must not be covered by thermal insulation or other materials. Do not touch the illuminant within 30 minutes after operation.






NOTICE!

Only switch on the lights while the appliance is operating. Do not switch on the lights to lighten the room.

NOTICE!

Never press two buttons simultaneously.



	OFF
	Low power level ! Use this button to switch on the lowest power level
	Mid power level ! Use this button to switch on the mid power level
	High power level ! Use this button to switch on the high power level
	Lights ON / OFF

3.2 Reduction of the environmental impacts of cooking

- ! Cover your pot/pan with lid during cooking.
- ! Switch off the appliance after cooking or use the delayed switch-off function (equipment depends on model).
- ! Switch off the illuminant(s) of the appliance after cooking.
- ! The diameter of the pot/pan should meet the diameter of the cooking zone or the size of the flame of the burner (gas appliances).
- ! Only operate the highest motor speed of the appliance to extract strong concentration of cooking fumes.
- ! Clean the grease filter(s) regularly as clean filters will increase the efficiency of the appliance.
- ! Replace carbon filters (for recirculation mode only) regularly. Observe the information given on the packaging of the carbon filters.

4. Cleaning/maintenance



WARNING!

Disconnect the appliance from the mains before you clean or maintain it.



WARNING!

Ignoring the cleaning and maintenance instructions will cause an increased risk of fire.

NOTICE!

Take off all rings and bracelets before cleaning or maintaining the appliance; otherwise you will damage the surface of the appliance.

1. Clean the housing of the appliance with a suitable detergent. Use such a product carefully and economically.
2. **Do not clean the control panel with a detergent.** Use a damp cloth. Otherwise you may damage the electronic components of the controls.
3. **Never use any alcohol-containing detergents to clean matt black painted appliances as these detergents cause colour-changes.**
4. Clean the glass panels² with a suitable detergent only.
5. When you clean or replace the grease filters or the carbon filters also clean all visible components on the bottom of the appliance with a mild, non- acrid and fat-dissolving detergent.
6. Do not damage the grid of metal-made grease filters. The colour of the metal surface may change due to frequent cleaning as well as the use of aggressive detergents.
7. Such changes do not influence the capacity of the appliance and are no reason for complaint.
8. Do not use a steam cleaner. **RISK OF ELECTRIC SHOCK!**
9. Do not use any abrasive detergents.

² Equipment depending on model.

4.1 Grease filter(s)



WARNING!

There is RISK OF FIRE when cleaning is not carried out according to these instructions!



You do not need to replace grease/aluminium filters.



Clean them once a month by hand or in a dishwasher (30° C max.).

Do not use any acid or corrosive detergents.

Do not use any abrasive detergents!

Do not use any alkaline dishwasher-detergents! (ph more than 7).

Do not put the filter in the dishwasher together with tableware.

Filters which are blocked with food debris do not carry a guarantee.

Dry the filters properly before you reinstall them.

4.2 Carbon filter(s)

Conventional carbon filters cannot be cleaned. The capacity of these filters is limited. You can use such filters for about 3-6 months. Replace a depleted filter. Find further information on the filter packaging.

4.3 Replacing of the illuminant

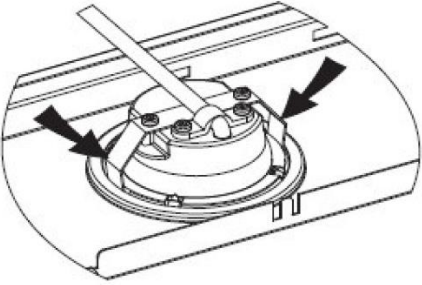
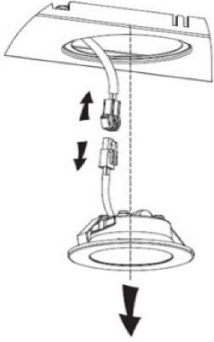
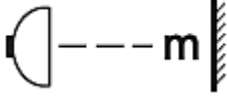



WARNING!

Disconnect the appliance from the energy supply.

Do not touch the illuminant with your hands. The sweat on your fingers will reduce the operating time of your new illuminant. Use a thin cloth or a thin glove.

1. Refer to the illustration for the next steps.
2. Remove the aluminium grease filters. Reach into the bonnet and carefully push out the light bulbs.
3. Carefully pull out the LED lamp and disconnect it from the supply cable.
4. Connect the new LED bulb to the power cable.
5. Push the wiring back into the installation recess and attach the new LED bulb.

	
	<p>Required minimum distance to surfaces such as pot lids, oven cloths etc. to avoid any hot parts and risk of fire.</p>
<p>--- m = 0,45 m</p>	
	<p>Only use self-shielded illuminants to avoid hot parts, risk of fire and exposure to UV-radiation.</p>

5. Trouble shooting

MALFUNCTION	
POSSIBLE CAUSE	MEASURE
The appliance does not work at all.	
<ul style="list-style-type: none"> ! The plug of the appliance is not connected to the socket. ! The plug has become loose. ! The socket is not supplied with energy. ! The fuse is switched off. 	<ul style="list-style-type: none"> ! Check the corresponding socket by connecting it with another appliance. ! Check the fuse. ! The voltage is too low. Compare the data on the model plate with the data of your energy supplier.
Light is on but motor does not work.	
<ul style="list-style-type: none"> ! ventilation damper blocked. ! motor mounting defective. 	<ul style="list-style-type: none"> ! remove blockage. ! replace motor.
Abnormal motor-smells.	
<ul style="list-style-type: none"> ! motor defective 	<ul style="list-style-type: none"> ! replace motor
Smear of oil.	
<ul style="list-style-type: none"> ! one-way valve is leaky ! connection base chimney-telescopic chimney is leaky 	<ul style="list-style-type: none"> ! seal the valve ! seal the connection with a suitable material

MALFUNCTION	
POSSIBLE CAUSE	MEASURE
Appliance vibrates.	
<ul style="list-style-type: none"> ! motor not properly fixed ! hood not properly fixed 	<ul style="list-style-type: none"> ! fix motor properly ! fix hood properly
Insufficient extracting capacity.	
<ul style="list-style-type: none"> ! too much distance hood-hob ! too much draught because of open doors and/or windows 	<ul style="list-style-type: none"> ! lower position of hood ! close the doors/windows
Appliance is unstable.	
<ul style="list-style-type: none"> ! mounting rail is not firmly fixed ! screws are not firmly tightened 	<ul style="list-style-type: none"> ! fix mounting rail properly ! tighten the screws

If the hood does not work properly and/or you can hear increased operating noise, check the schedule below:

- ! Incorrect dimension of the air duct.
- ! Obstruction in the air duct.
- ! The diameter of the air duct from hood to wall-box inclusive should be 120/150 mm (s. TECHNICAL DATA); otherwise the capacity of the motor may be decreased.
- ! If you have installed a fly screen on the wall-box, the air vent may be obstructed. Check by removing the fly screen.
- ! If the cover panel of the wall box is equipped with firm and slanted slats, the air vent may be obstructed. Check by removing the cover panel.
- ! Install a cover panel with moveable slats, which do not obstruct the air vent.
- ! Check condition and cleanliness of the filters.
- ! Check if the air which is extracted by the hood is replaced to avoid negative pressure.
- ! When you run your appliance in recirculating mode, check if the carbon filter has been replaced on time (min. every 3-6 months).
- ! If the appliance has a malfunction not noted on the schedule or if you have checked all items on the schedule but the problem still exists, please contact the shop you purchased the appliance at.

6. Technical data

6.1 Information in accordance with Regulation (EU) 66/2014

Material	Black Glass	
Installation-width	60,00	cm
Push-Buttons / Power Level	5	3
Recirculation / extraction mode*	Yes	Yes
Annual energy consumption (AEC _{hood})	29,7	kWh/Jahr
Energy efficiency index (EEI _{hood})	B	
Fluid dynamical efficiency (FDE _{hood})	13,00	
Fluid dynamical efficiency index	E	
Grease separation	60,40	%
Grease separation index	E	
Air flow at minimum speed/ standard operation	171,6	m ³ /h ⁽¹⁾
Air flow at maximum speed/ standard operation	319,4	m ³ /h ⁽¹⁾
Connected load	65	W
Power consumption lighting system (W _l)	3,0	W
Lighting efficiency (LE _{hood})	30,7	lux/Watt
Lighting efficiency index	A	
Power consumption standby (P _s)	-	W
Power consumption off (P _o)	-	W
A-rated noise emission at minimum speed/ standard operation	49	dB ⁽²⁾
A-rated noise emission at maximum speed/ standard operation	64	dB ⁽²⁾

Explications:

(1) measurement of air flow	Range hoods with a maximum air flow, which is more than 650 m ³ /h at an available setting, must automatically change to an air flow, which is max. 650 m ³ /h.
(2) Airborne acoustical noise	According to dB(A) re 1 pW.

To determine the results, and in accordance with the requirements in relation to the labelling of energy-related products and with regard to ecodesign requirements, the following calculation and measurement methods were applied:

- ! Directive of the European Parliament and of the Council 2010/30/EU; REGULATION NO 65/2014.
- ! Directive of the European Parliament and of the Council 2009/125/EC; REGULATION NO 66/2014.
- ! EN 50564 - Electrical and electronic household and office equipment. Measurement of low power consumption

- ! EN 60704-2-13 - Household and similar electrical appliances. Test code for the determination of airborne acoustical noise. Particular requirements for range hoods.
- ! EN 61591 - Household range hoods and other cooking fume extractors - Methods for measuring performance.

6.2 Relevant data for installation

Voltage/frequency	AC 220-240V/50Hz		
Grease filter/material/dishwasher-proof	1	aluminium	✓
Carbon filter *	2x KAF14		
Exhaust hose	✓		
Installation material	✓		
Exhaust air operation	✓		
Air recirculation	✓		
Instruction manual	✓		
Telescopic chimney extractable from-to	40.00 – 75.00		
Installation with ventilation stack or air duct outwards	Wall penetration = 150 mm Ø Drilling = approx. 160 mm Ø		
Dimensions H*W*D in cm	68,10-103,10*59,50*28,30		
Weight net / gross in kg	7.50 / 9.00 kg		

* Optional equipment.

7. Waste management

1. While unpacking, the packaging materials (polythene bags, polystyrene pieces, etc.) should be kept away from children and pets. **CHOKING HAZARD! RISK OF INJURY!**
2. Old and unused appliances must be sent for disposal to the responsible recycling centre. Never expose to open flames.
3. Before you dispose of an old appliance, **render it inoperative**. Unplug the appliance and cut off the entire power cord. Dispose of the power cord and the plug immediately. **Remove the door completely** so children are not able to get into the appliance as this endangers their lives!
4. Dispose of any paper and cardboard into the corresponding containers.
5. Dispose of any plastics into the corresponding containers.
6. If suitable containers are not available at your residential area, dispose of these materials at a suitable municipal collection point for waste-recycling.
7. Receive more detailed information from your retailer or your municipal facilities.



Materials marked with this symbol are recyclable.



Please contact your local authorities to receive further information.

8. Guarantee conditions

This appliance includes a 24-month guarantee for the consumer given by the manufacturer, dated from the day of purchase, referring to its flawless material-components and its faultless fabrication.

The consumer is accredited with both the dues of the guarantee given by the manufacturer and the vendor's guarantees. These are not restricted to the manufacturer's guarantee.

Any guarantee claim has to be made **immediately after the detection and within 24 months** after the delivery to the first ultimate vendee. The guarantee claim has to be verified by the vendee by submitting a proof of purchase including the date of purchase and/or the date of delivery.

The guarantee does not establish any entitlement to withdraw from the purchase contract or for a price reduction. Replaced components or exchanged appliances demise to us as our property.

The guarantee claim does not cover:

1. fragile components as plastic, glass or bulbs;
2. minor modifications of the **YUNA**-products concerning their authorized condition if they do not influence the utility value of the product;
3. damage caused by handling errors or false operation;
4. damage caused by aggressive environmental conditions, chemicals, detergents;
5. damage caused by non-professional installation and haulage;
6. damage caused by non common household use;
7. damages which have been caused outside the appliance by a **YUNA**-product unless a liability is forced by legal regulations.

The validity of the guarantee will be terminated if:

1. the prescriptions of the installation and operation of the appliance are not observed.
2. the appliance is repaired by a non-professional.
3. the appliance is damaged by the vendor, the installer or a third party.
4. the installation or the start-up is performed inappropriately.
5. the maintenance is inadequately or incorrectly performed.
6. the appliance is not used for its intended purpose.
7. the appliance is damaged by force majeure or natural disasters, including, but with not being limited to fires or explosions.

The guarantee claims neither extend the guarantee period nor initiate a new guarantee period. The geographical scope of the guarantee is limited with respect to appliances, which are purchased and used in Germany, Austria, Belgium, Luxembourg and the Netherlands.

YUNA

YUNA

Kütech GmbH
Sauerlandring 1
D-58513 Lüdenscheid

Stand:

May 2022