



KLARSTEIN

Chal-Tec GmbH

Wallstraße 16,
10179 Berlin, Germany
WEEE-Nr.: DE 46906833

Import
Berlin
PO Box
Oxford
United Kingdom

Item-Nr.: 10036104

Description: Thermoelectric cooler

Specifications:

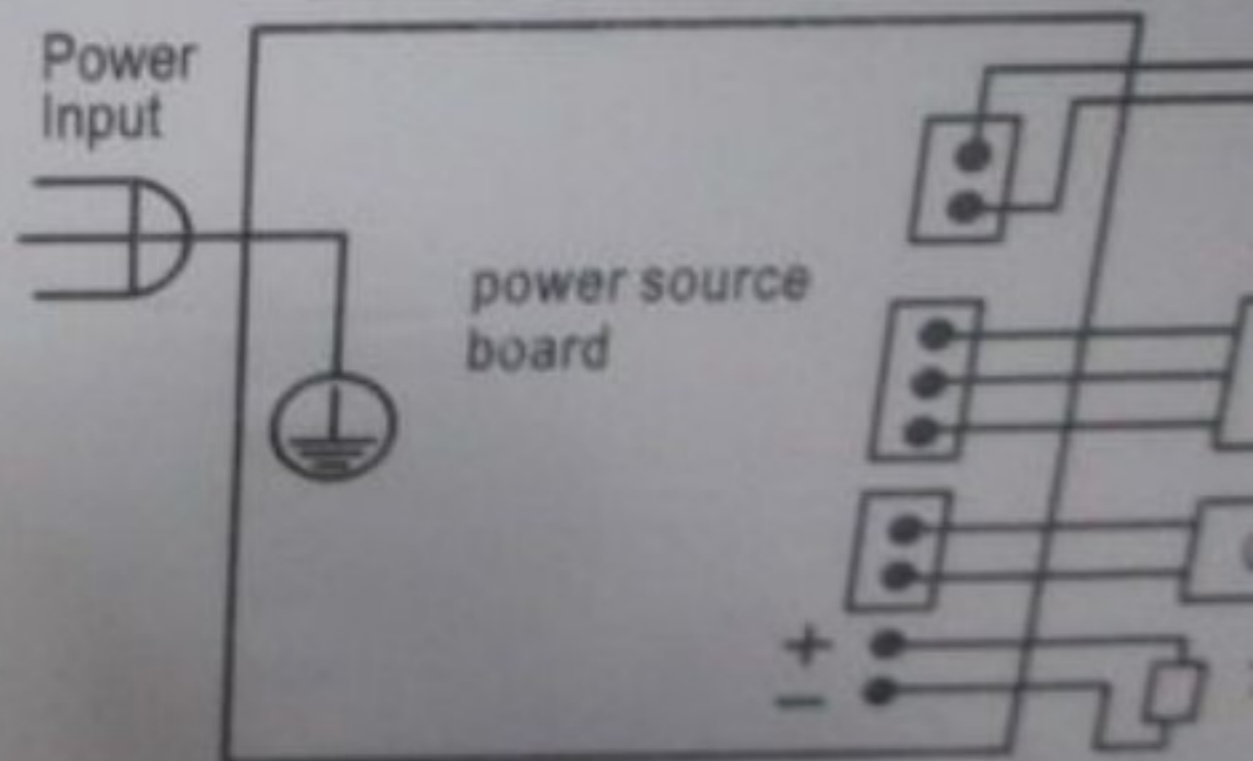
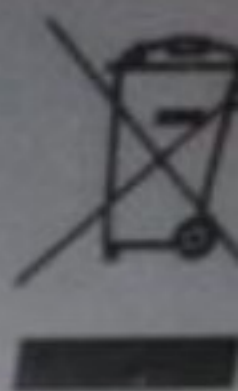
Voltage/ Frequency: 220-240V AC / 50Hz

Power: 45W

Climate Class: SN, N

Storage

Ref



Circuit diagram