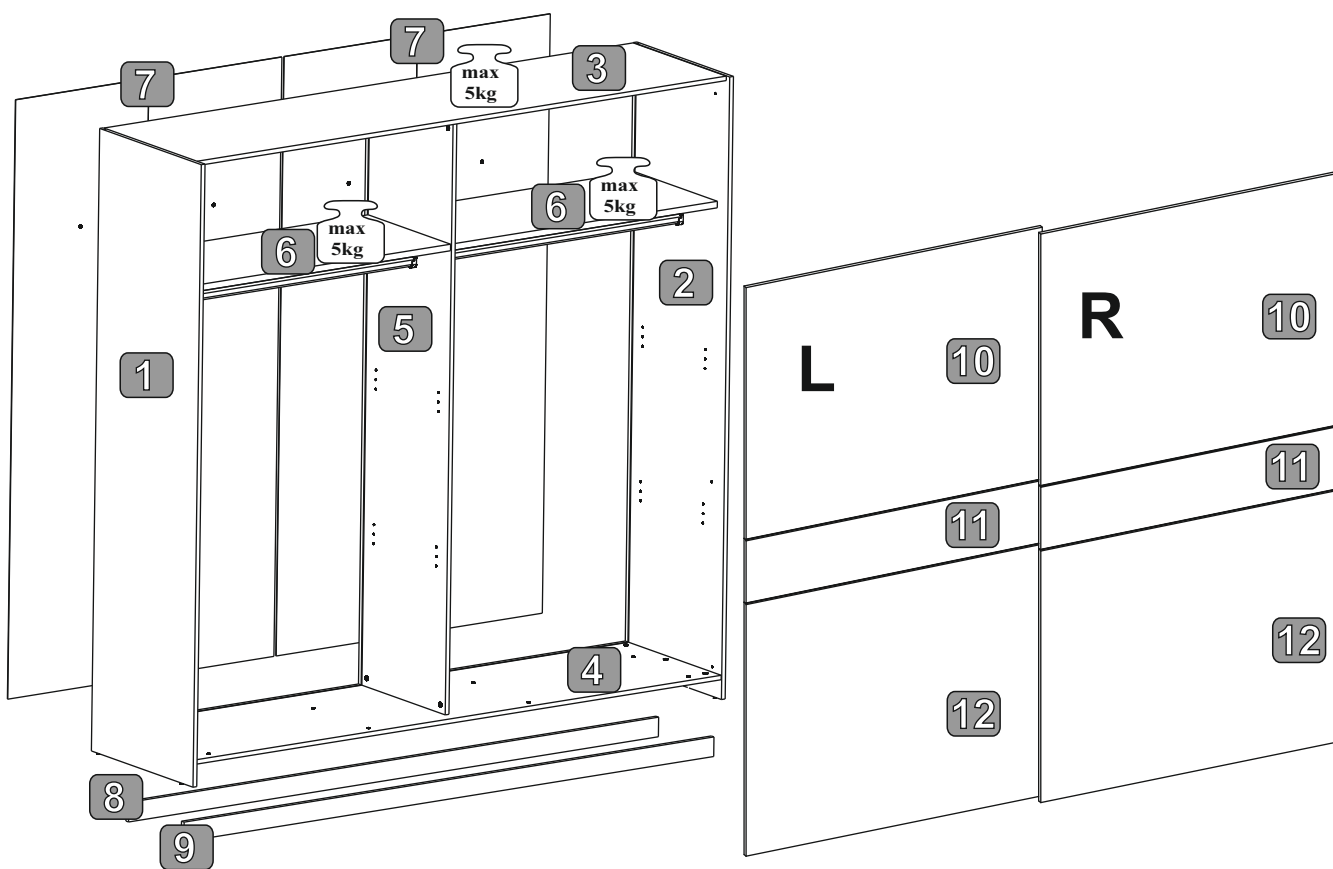
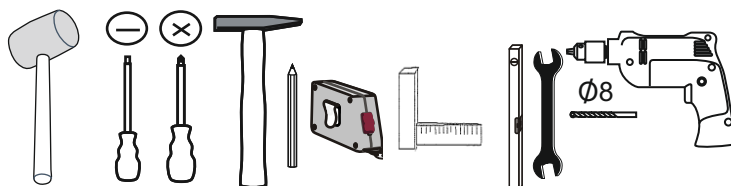
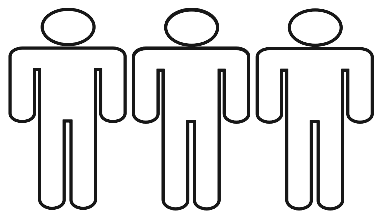
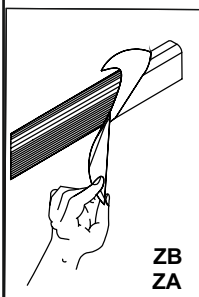


Nr	Ausmaß			St	Colli
1	2095	529	15	1	1-3
2	2095	558	15	1	1-3
3	2120	510	15	1	2-3
4	2120	526	15	1	2-3
5	1998	440	15	1	1-3
6	1052,5	420	22	2	2-3
7	2017	1065	2	2	1-3
8	2120	66	15	1	2-3
9	2120	66	15	1	2-3
10	1090	910	15	2	3-3
11	1090	230	15	2	3-3
12	1090	910	15	2	3-3





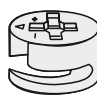
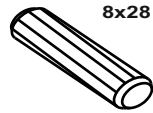



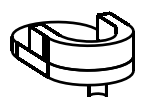
 4 x E03	 2 x J01	 10 x S01	 8 x T04	 8 x T05	 8 x W05 3,5x13
 16 x T02	 16 x T01	 8 x W06 5x40	 1 x K01	 113 x W01 3,5x13	 8 x D01 8x28
 8 x W04 3x13	 8 x W08	 8 x W07 4x13	 2 x F01	 4 x R02	 28 x R01
 16 x C01	 8 x C02	 2 x P01	 2 x F11	 2 x S14	 2 x S13
 2 x W05S	 2 x E05	 2 x E04	 2 x S10	 1 x S11	 2 x S12
 4 x ZA3 H-29	 4 x W09 3,5x25				

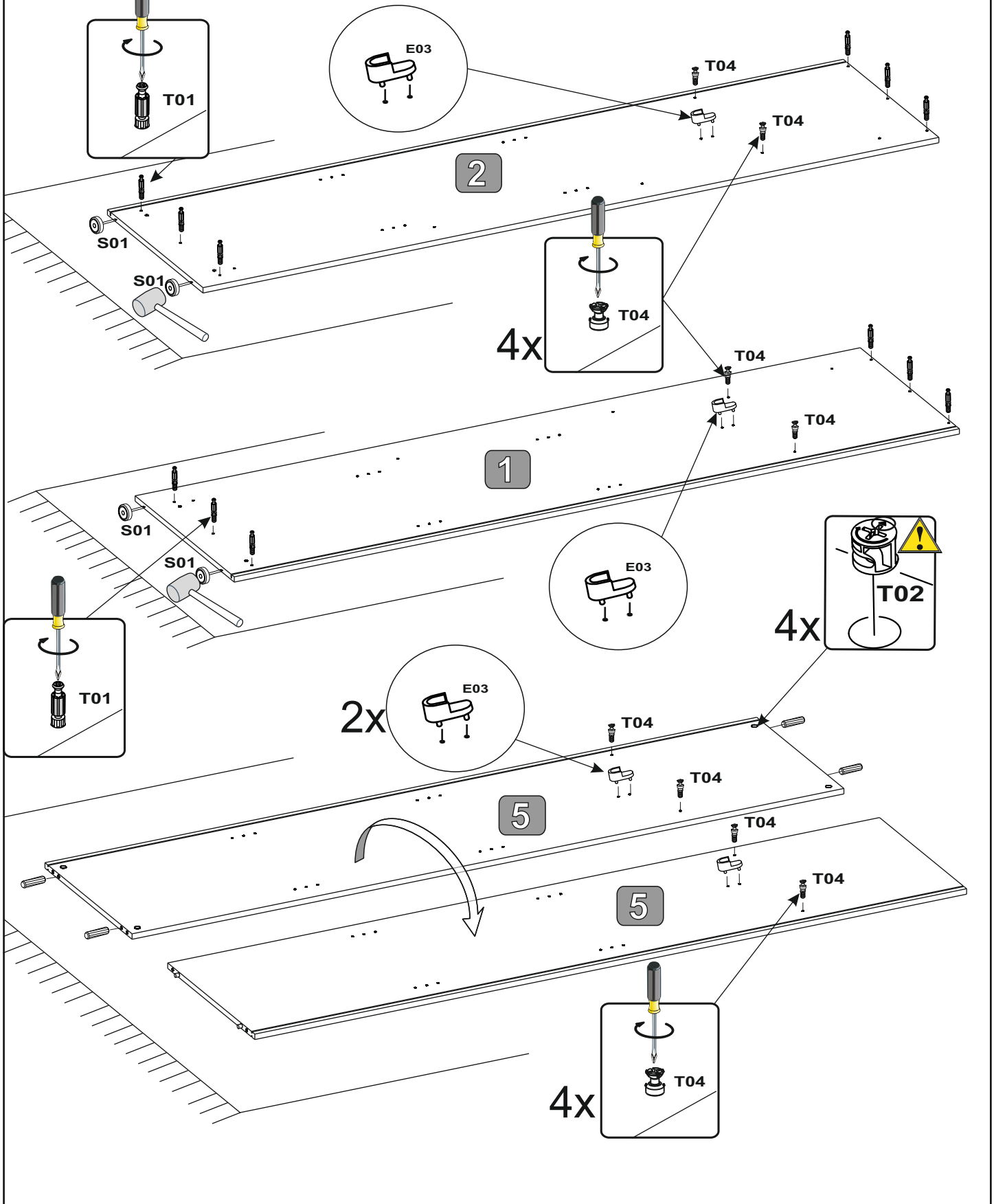


0 10 20 30 40 50 60 70 80 90 100

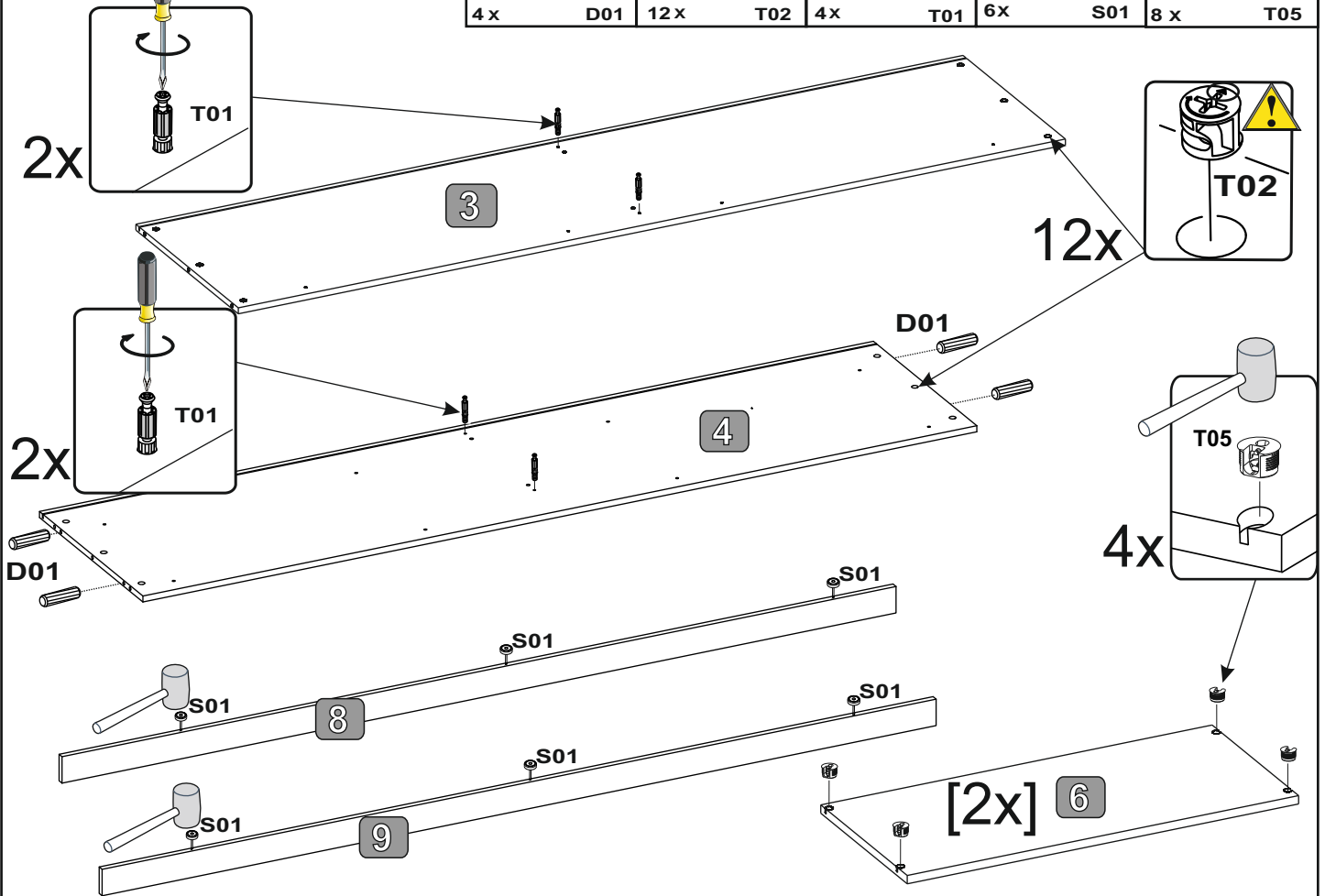
Nr	Ausmaß	St	Colli
ZA	L-2050	2	1/3
ZB	L-2050	2	1/3
S15	L-2118	1	1/3
S16	L-2118	1	1/3

1

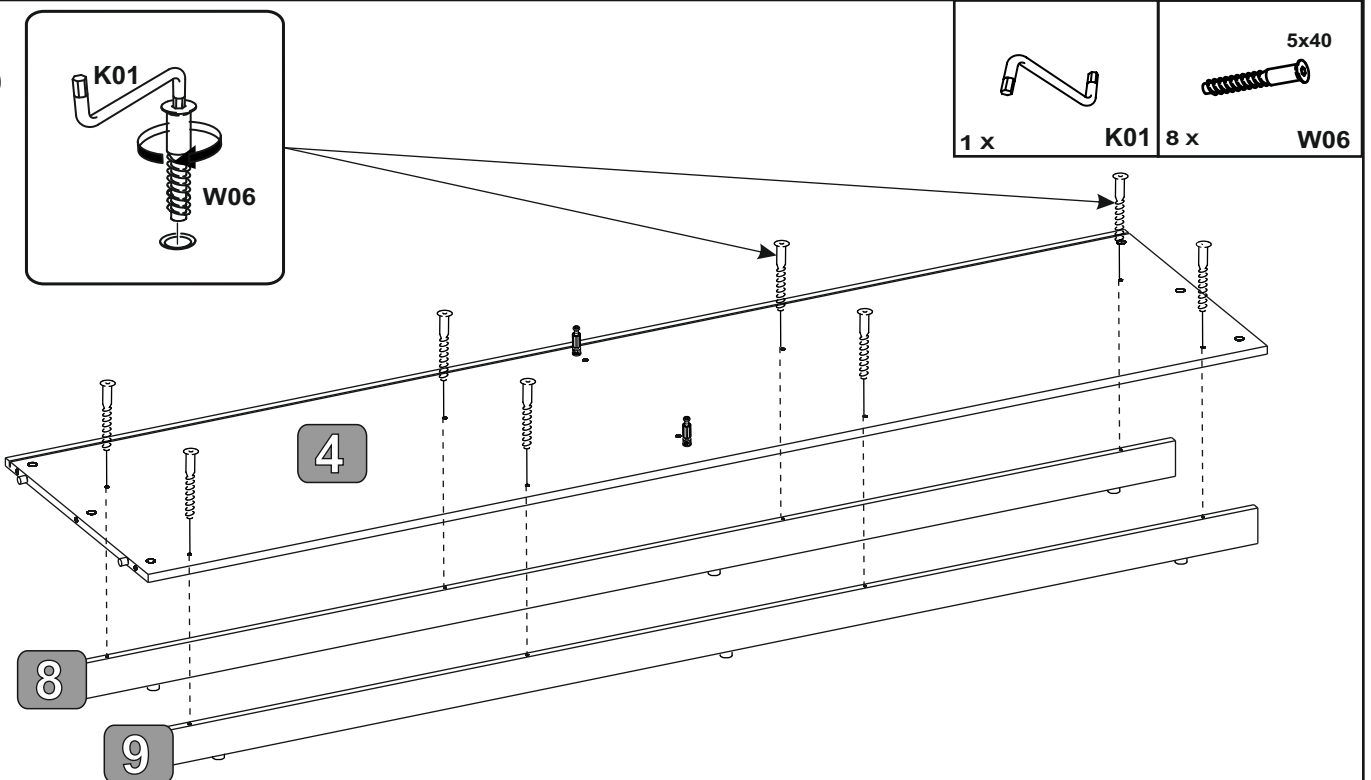
 4 x T02	 4 x D01	 8 x T04	 4 x S01	 12 x T01	 4 x E03
--	--	--	---	---	--



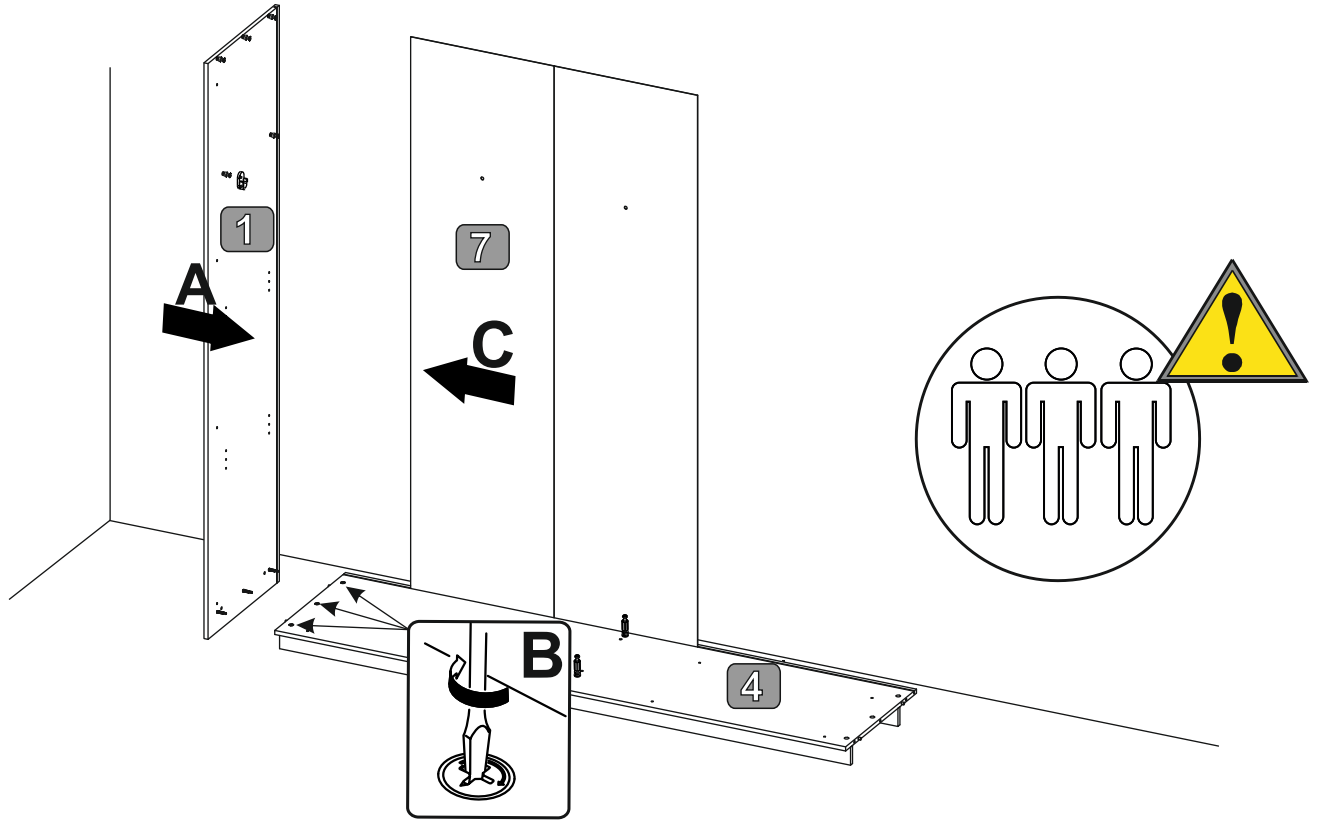
2



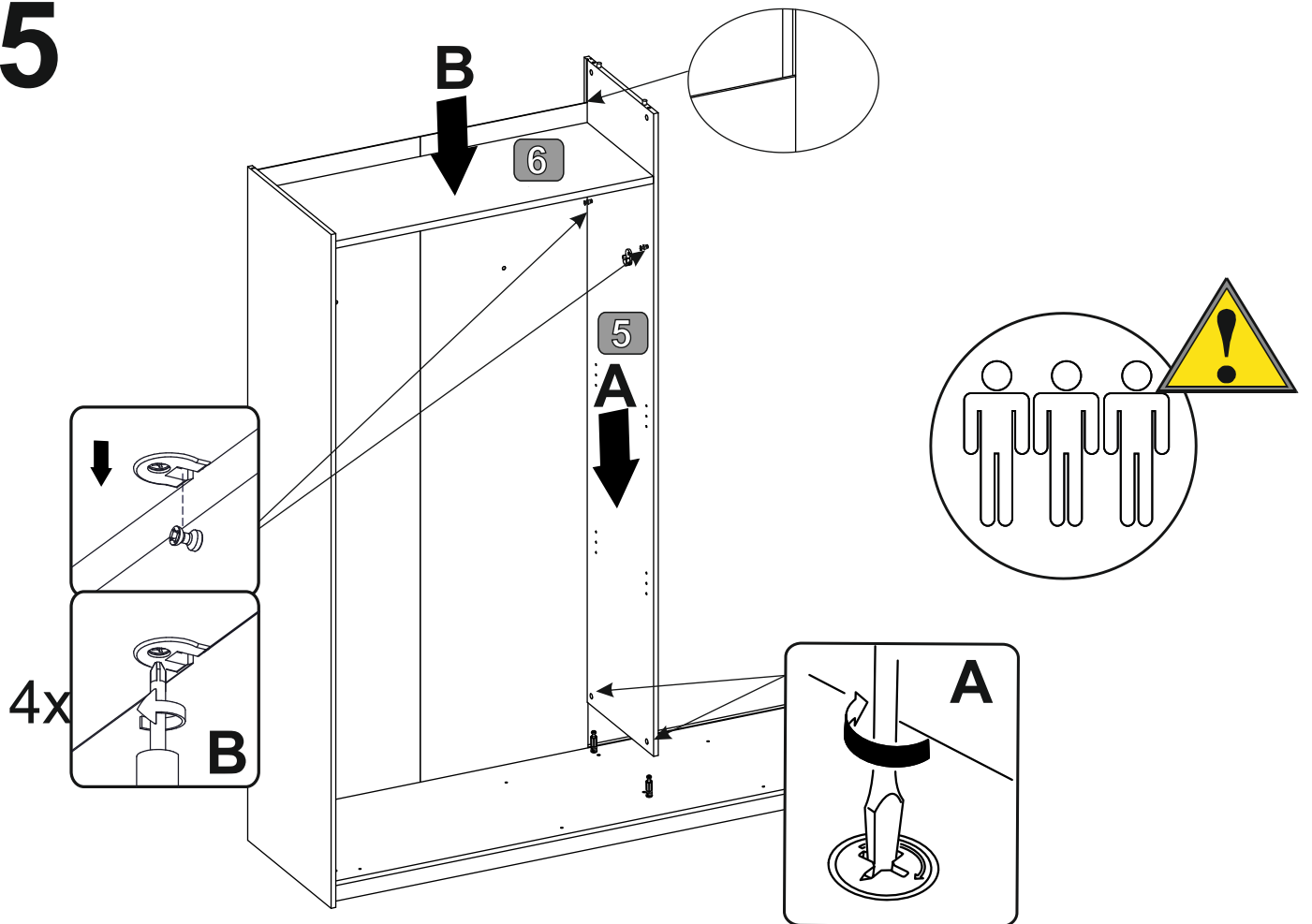
3



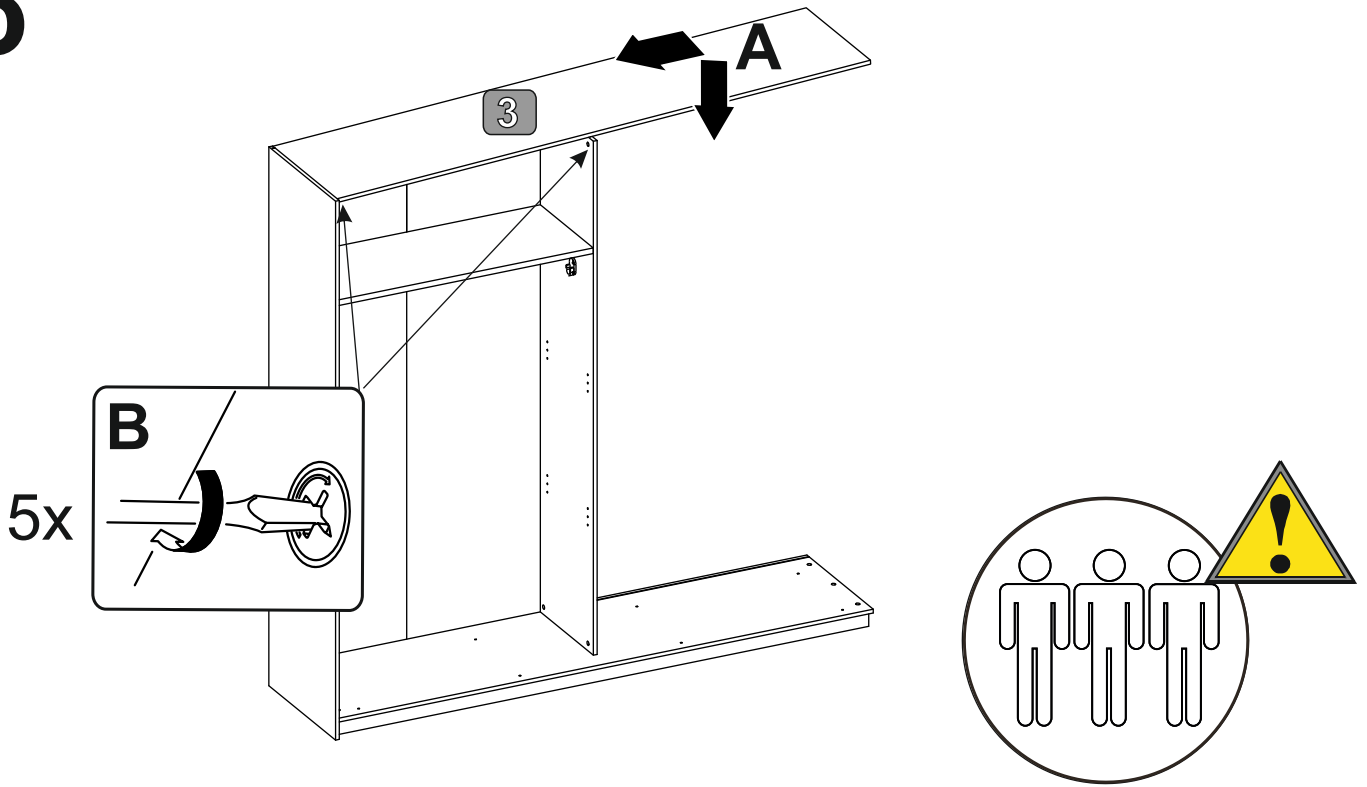
4



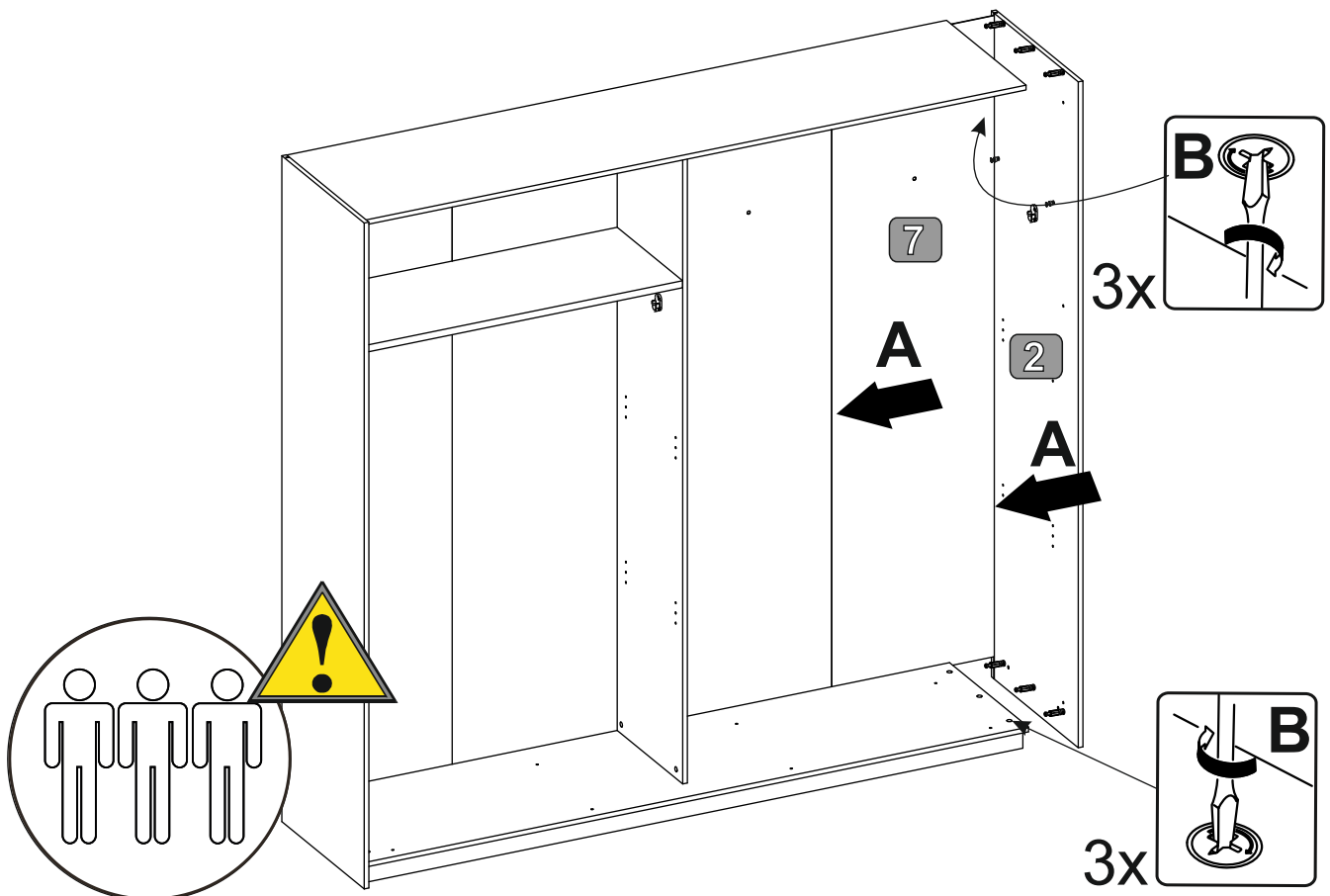
5



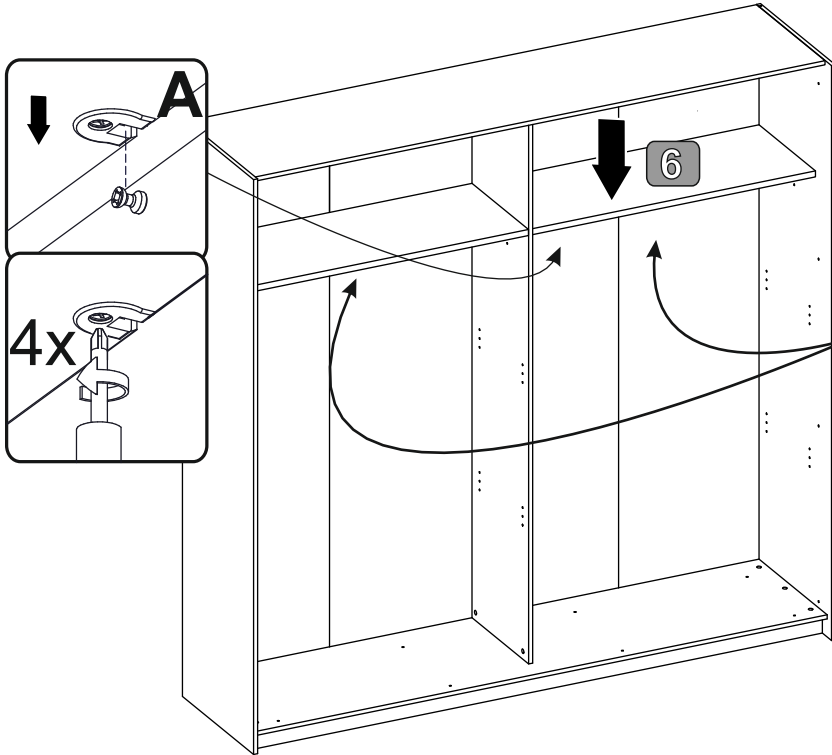
6


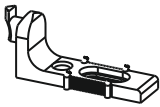


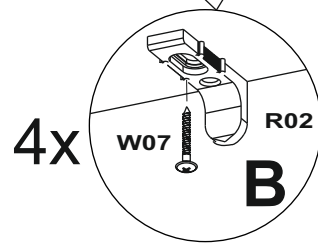
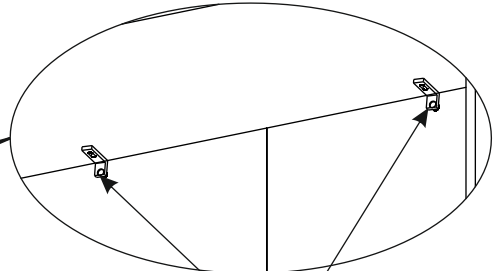
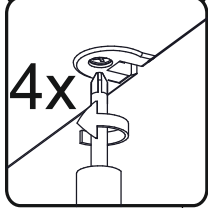
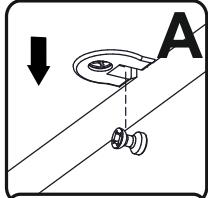
7



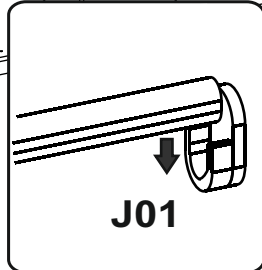
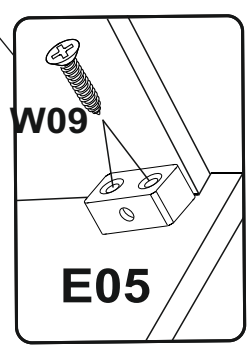
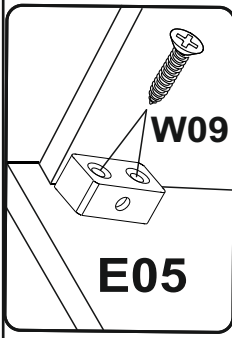
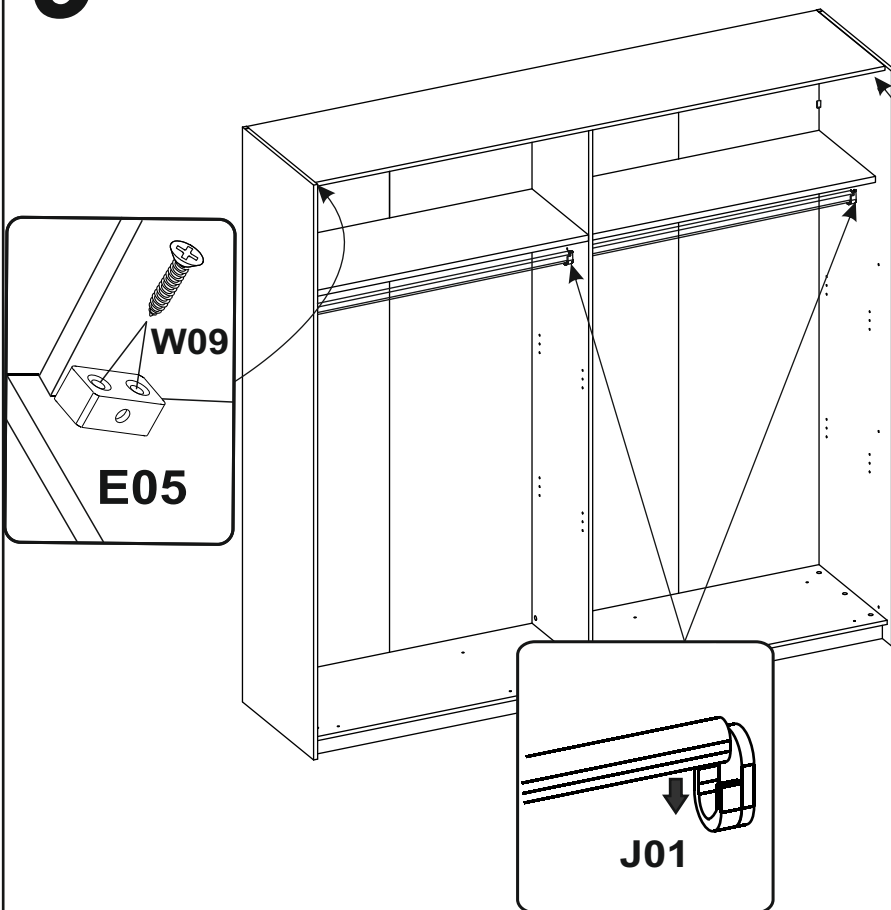
8

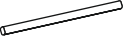
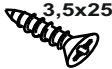
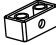


 4x13	
4x W07	4x R02

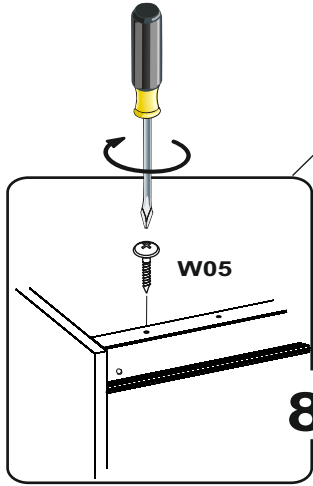


9

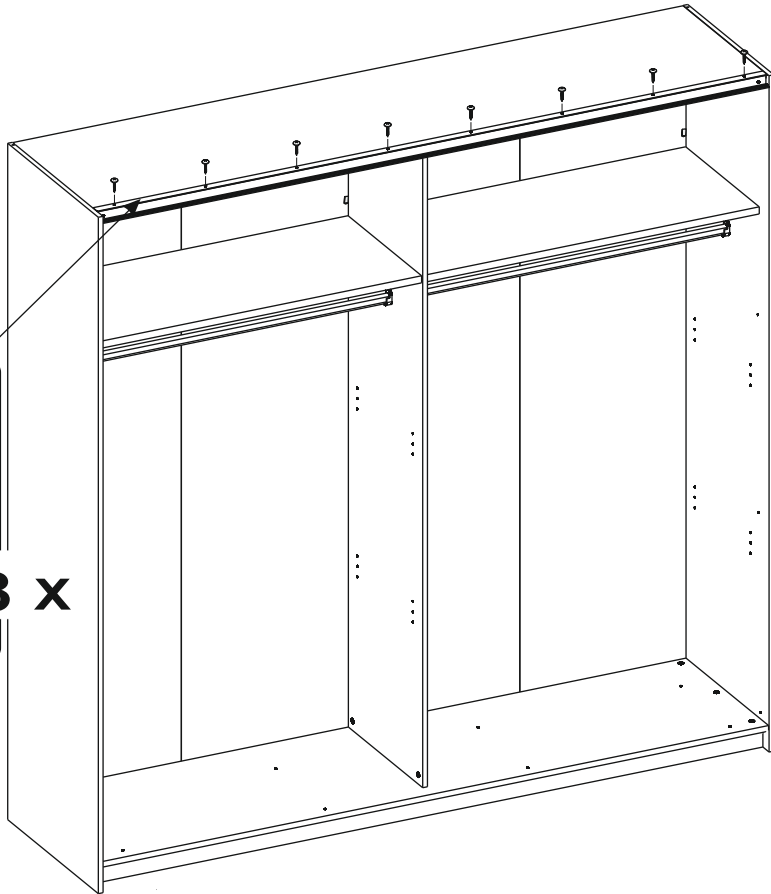



2x J01

3,5x25
4x W09

2x E05

10



8 X



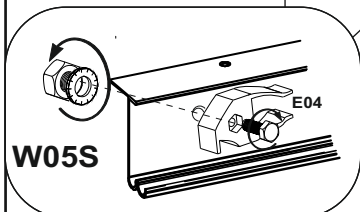
3,5x13



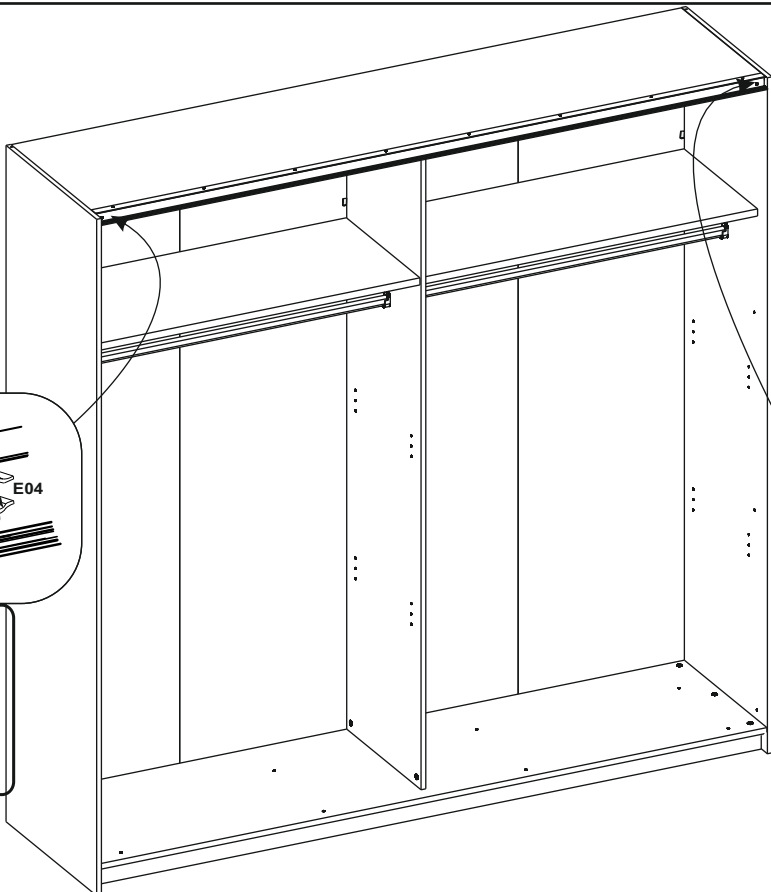
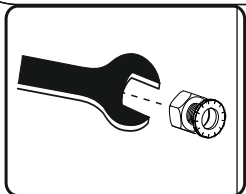
8 X

W05

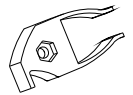
11



W05S

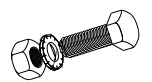


2 X

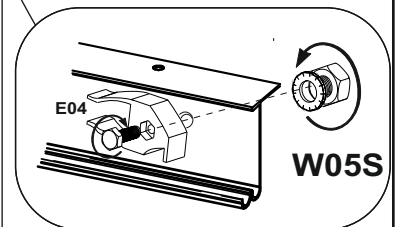


E04

2 X

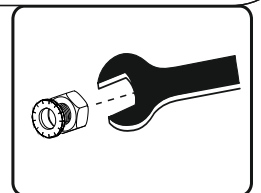


W05S



E04

W05S



12



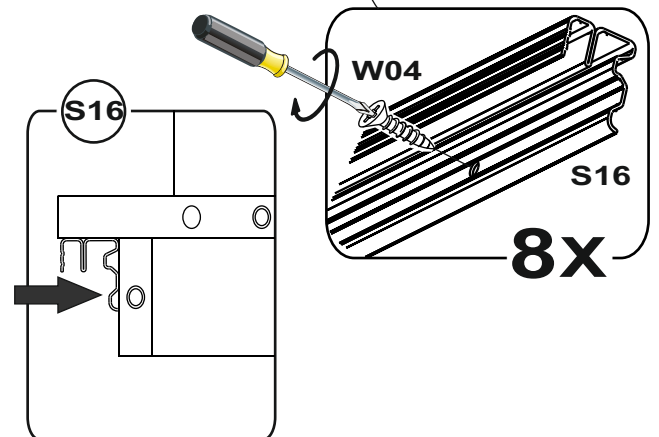
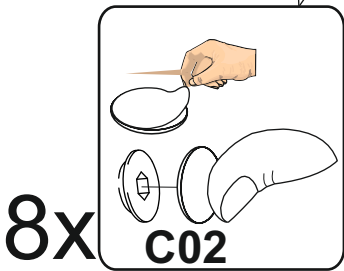
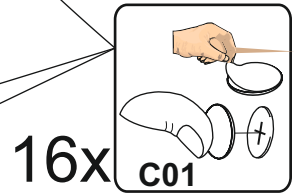
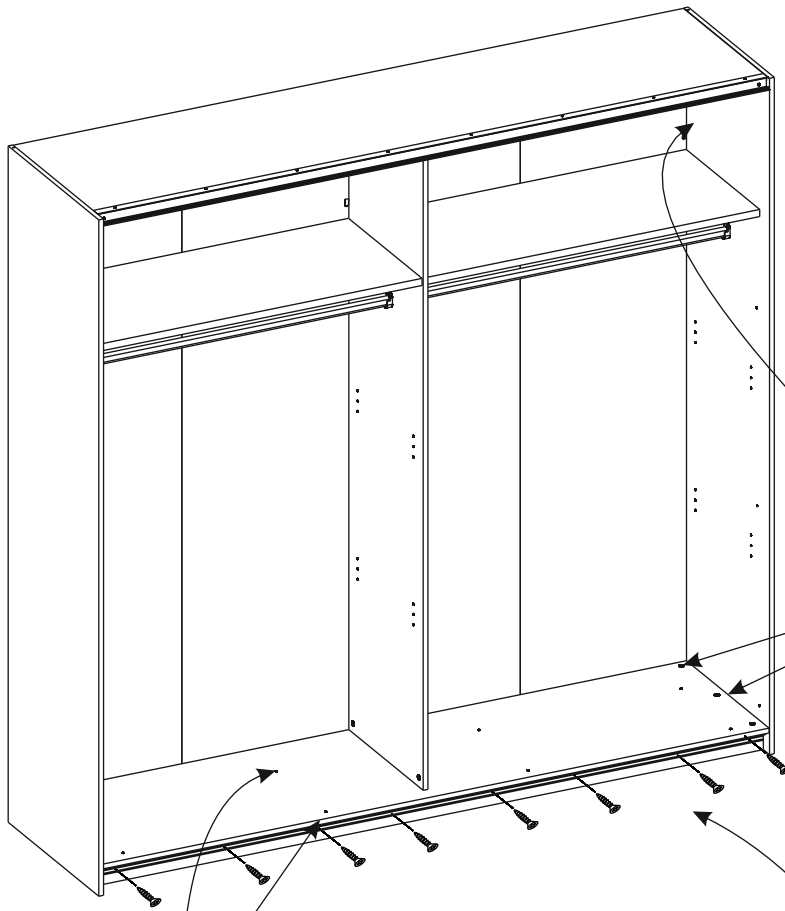
8x W04





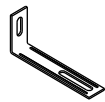


16 x C01

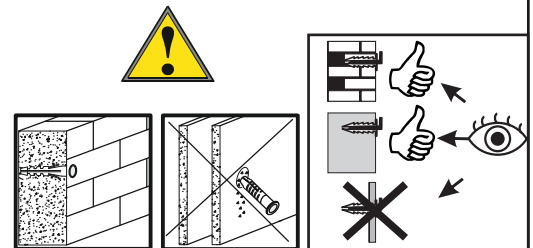
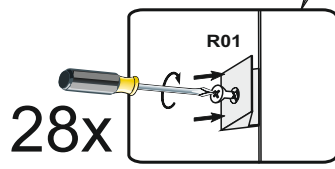
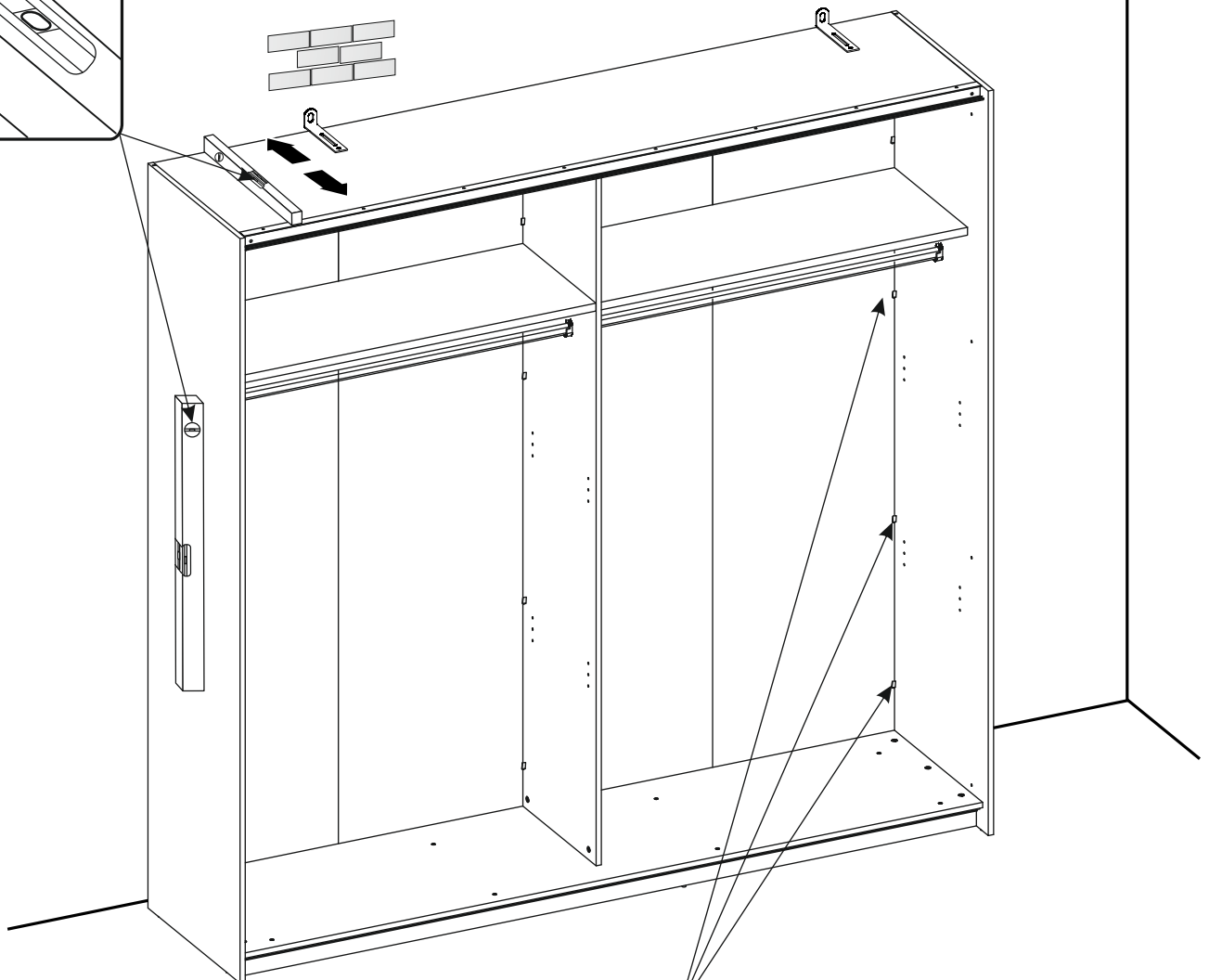
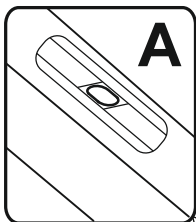
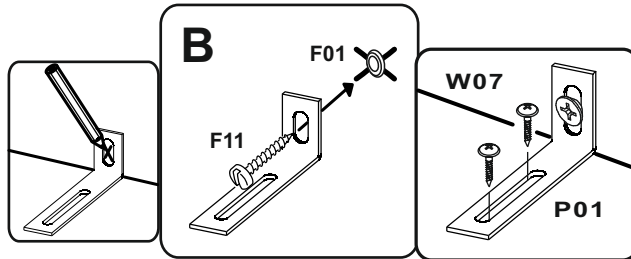


8 x C02



13

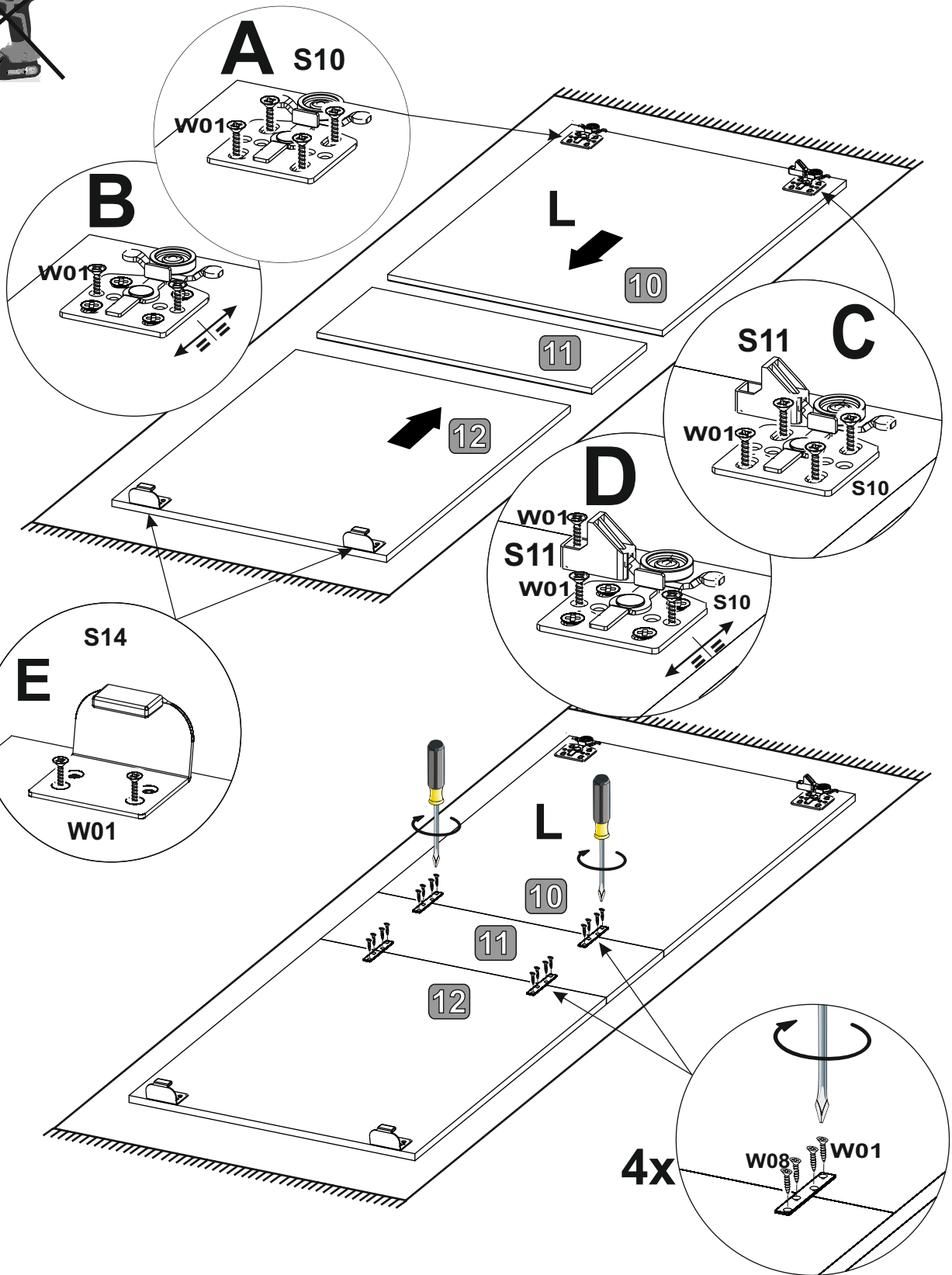
 28 x R01	 2x F11	 2x P01
 2x F01	 4x W07	



14

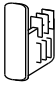



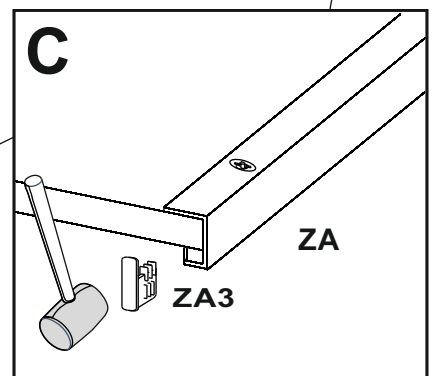
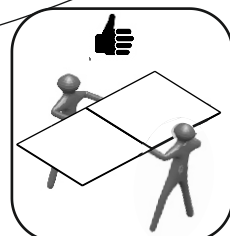
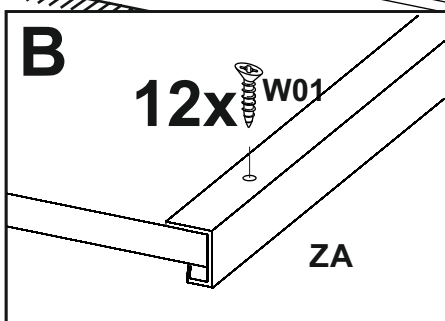
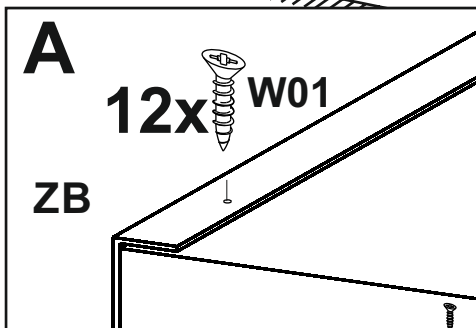
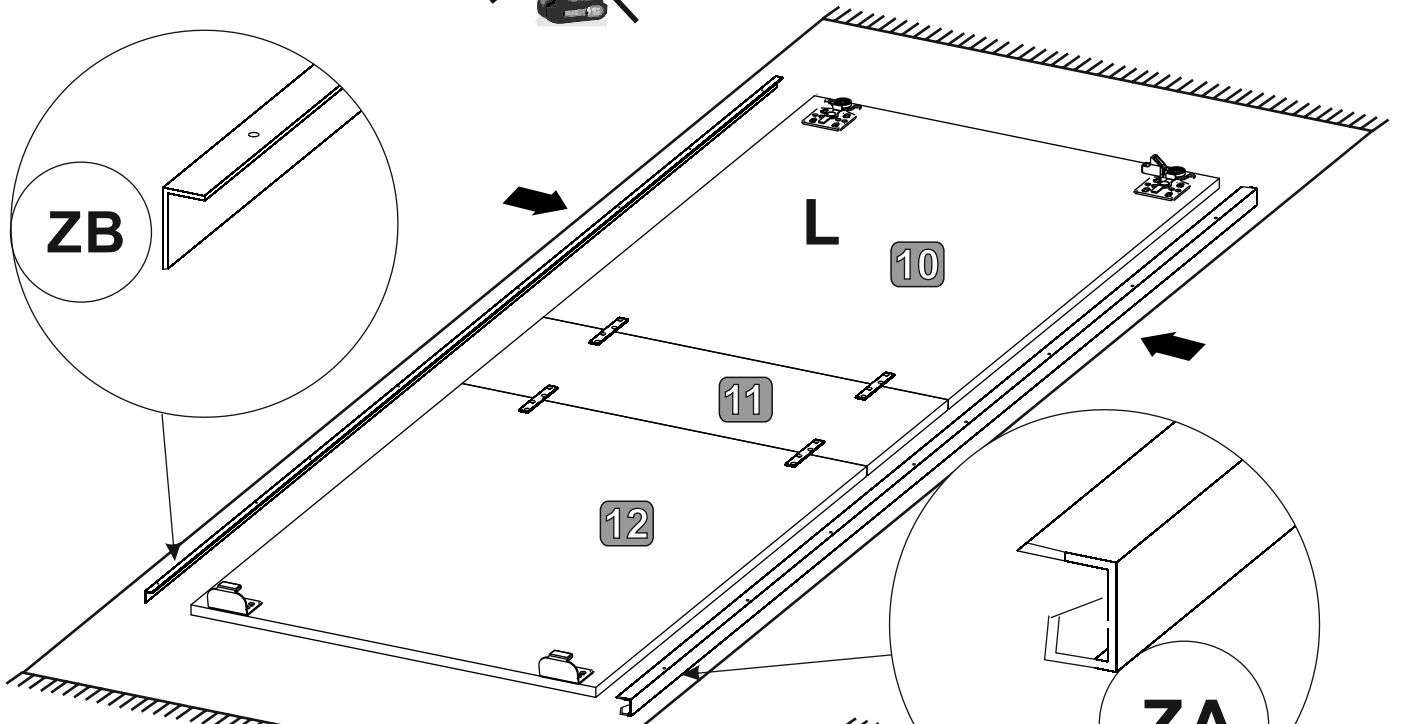
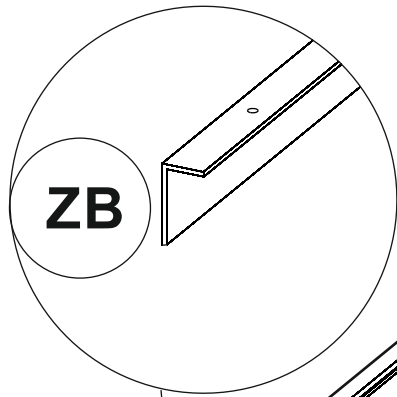
 4x W08	 2x S10	 1x S11	 2x S14	 3,5x13 33x W01
------------	------------	------------	------------	-----------------------



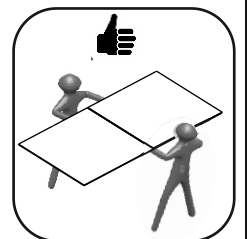
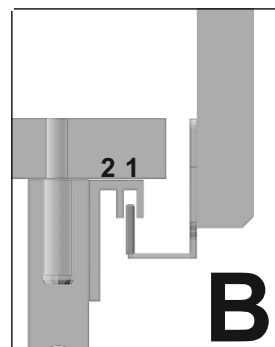
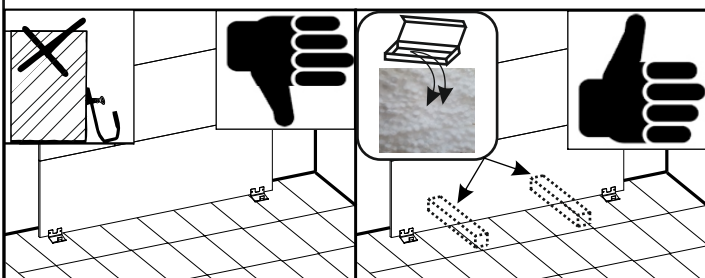
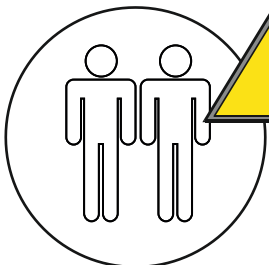
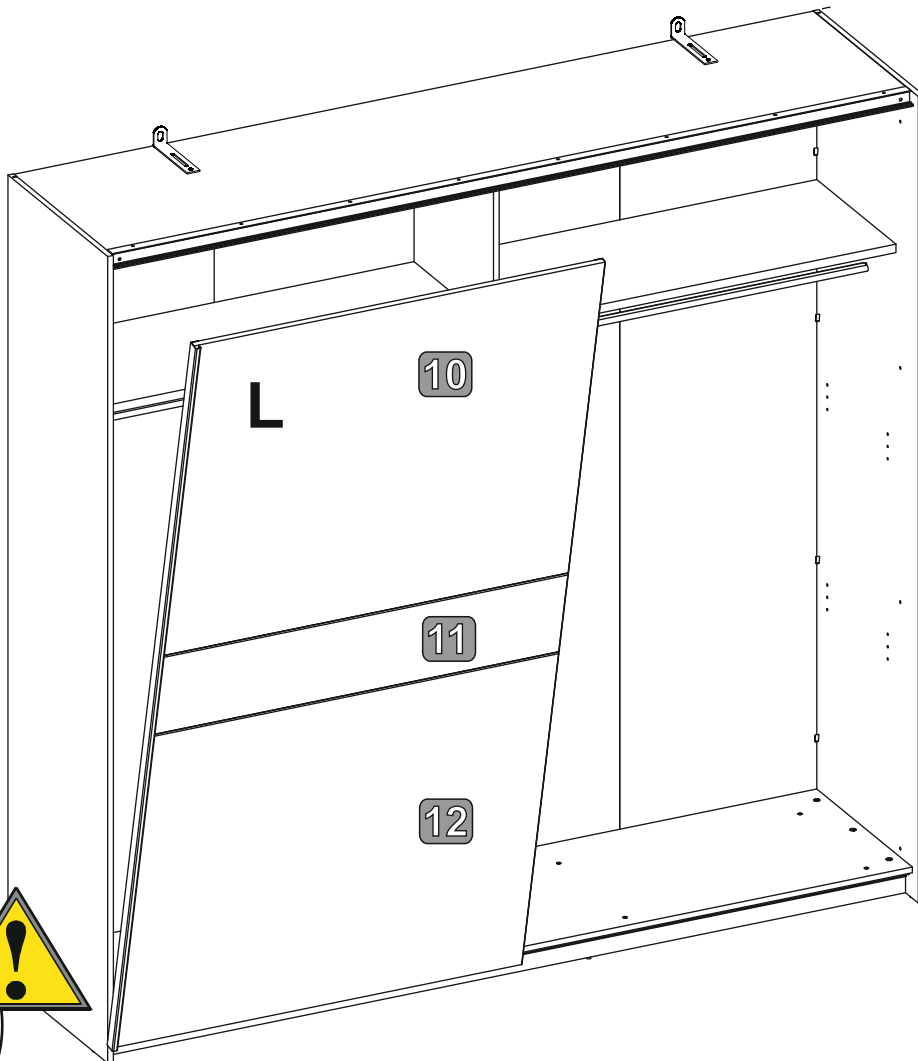
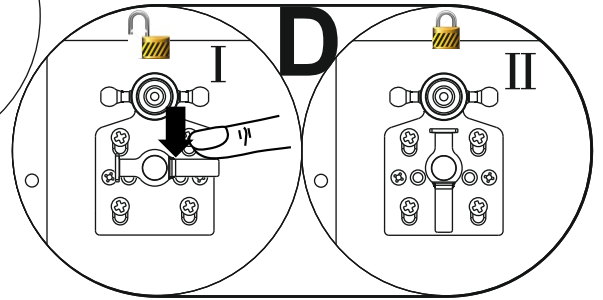
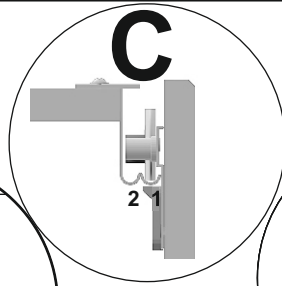
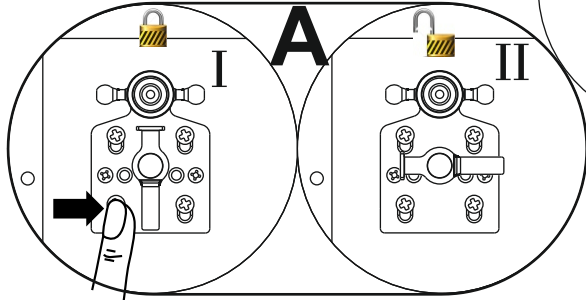
15



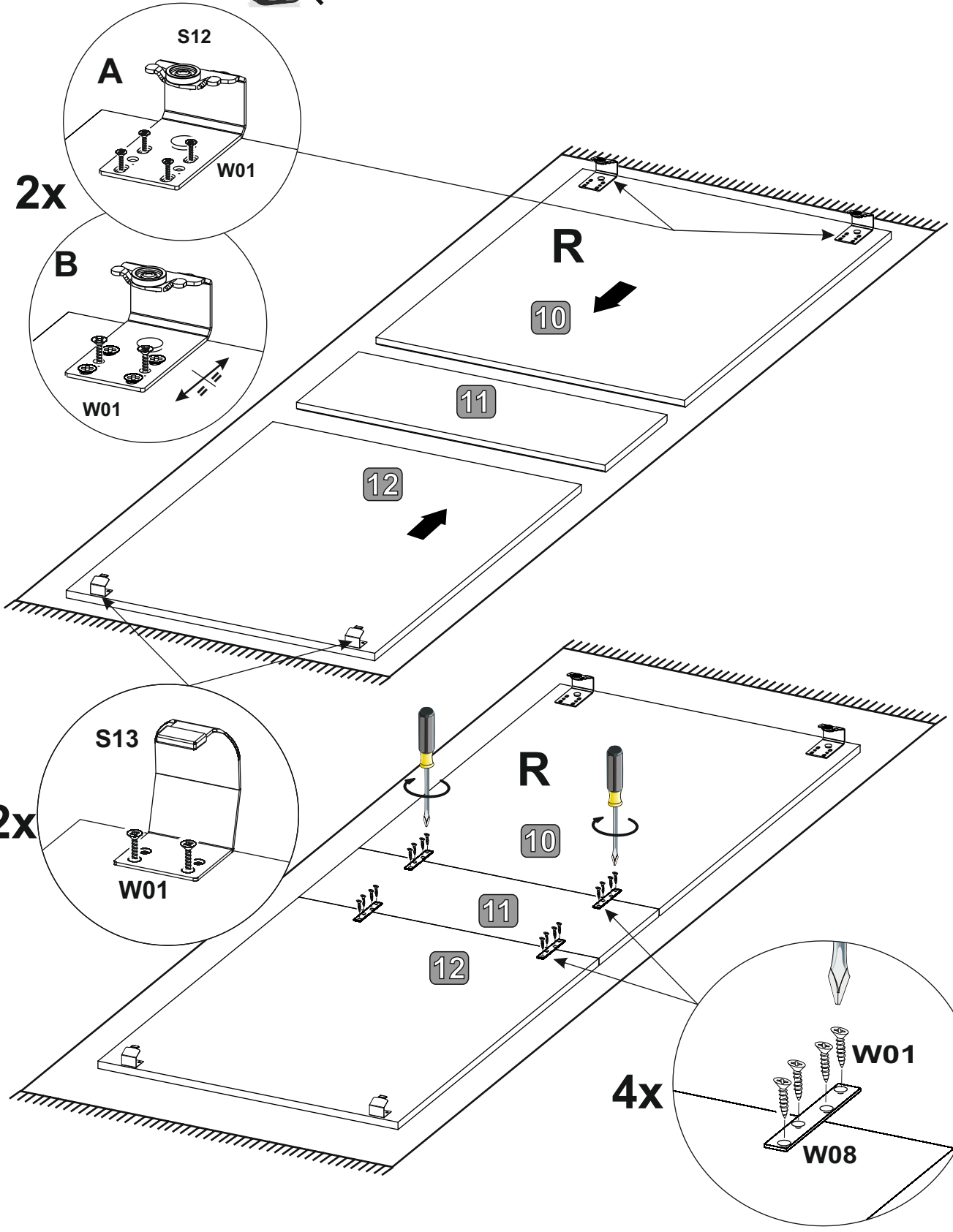
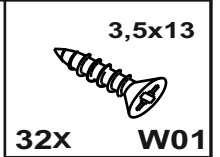
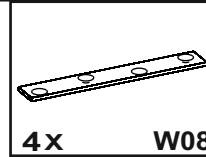
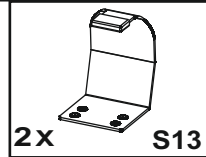
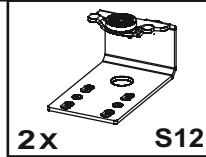
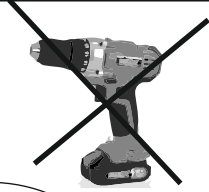
	H-29	
2x	ZA3	24x W01



16

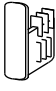



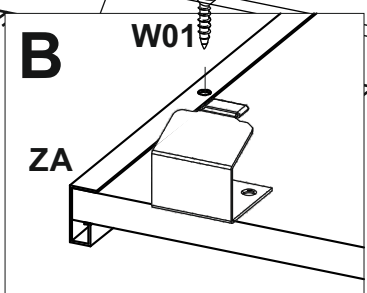
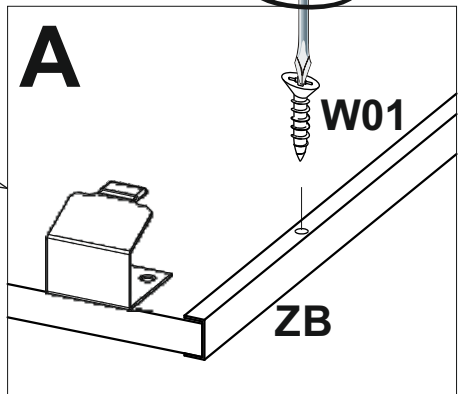
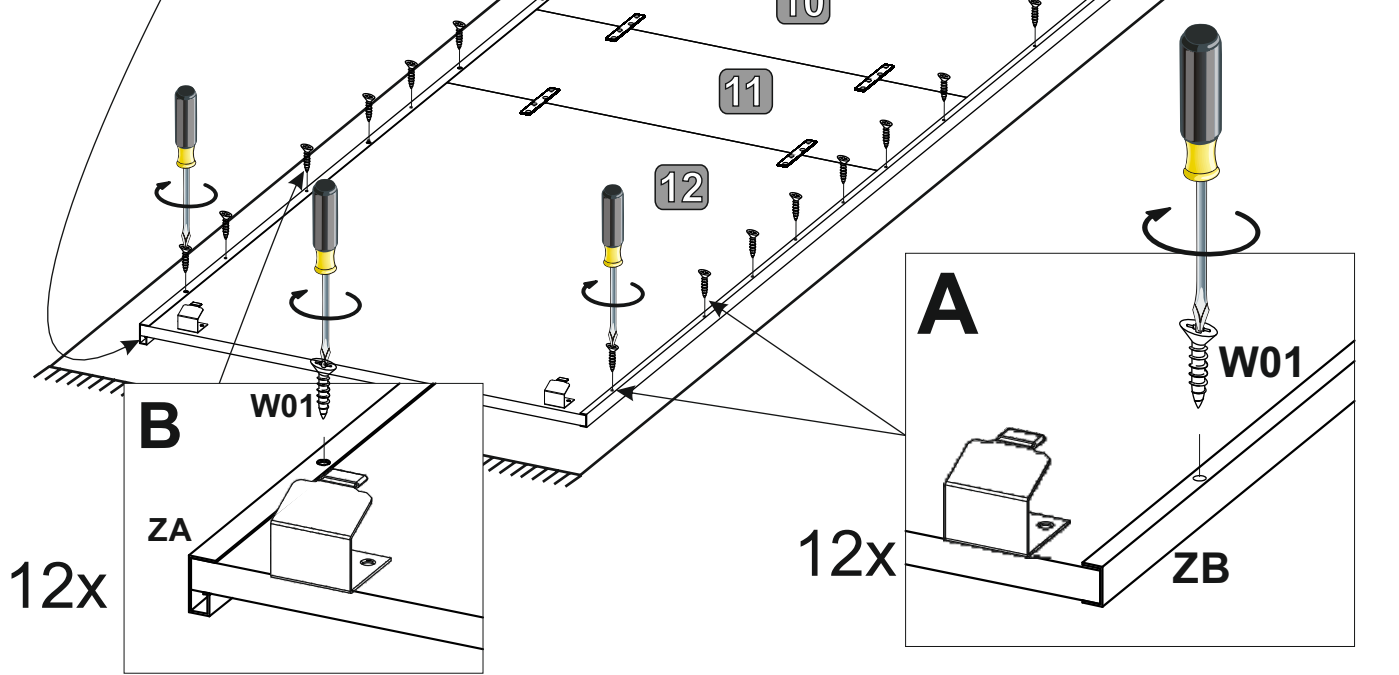
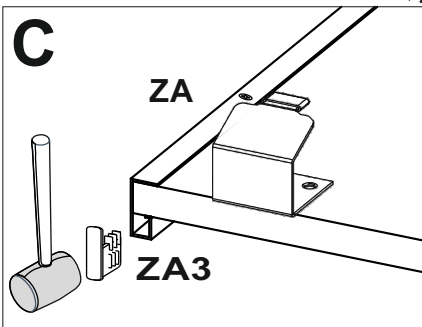
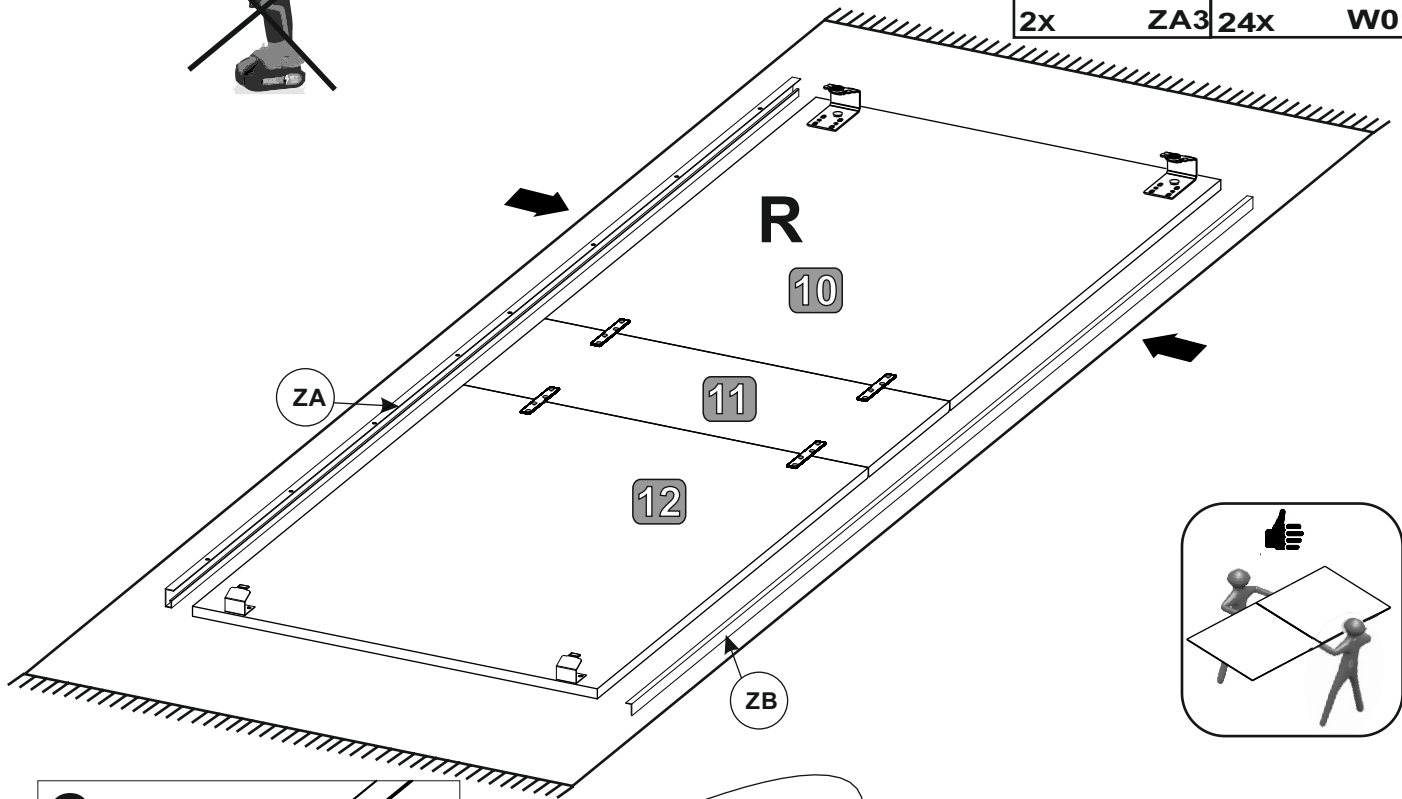
17



18



	H-29		3,5x13
2x	ZA3	24x	W01



19

