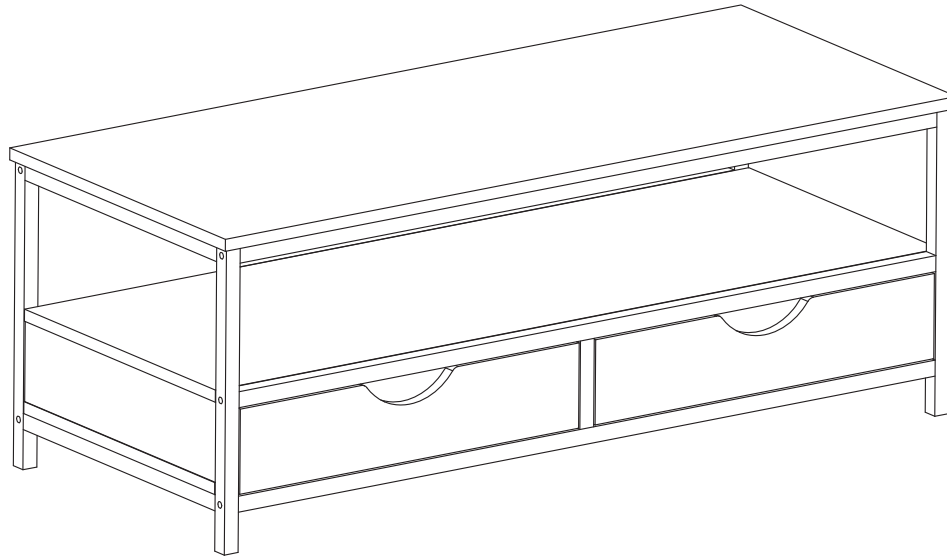
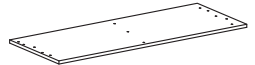



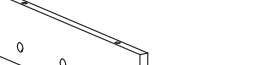
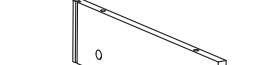










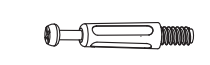





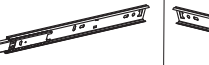





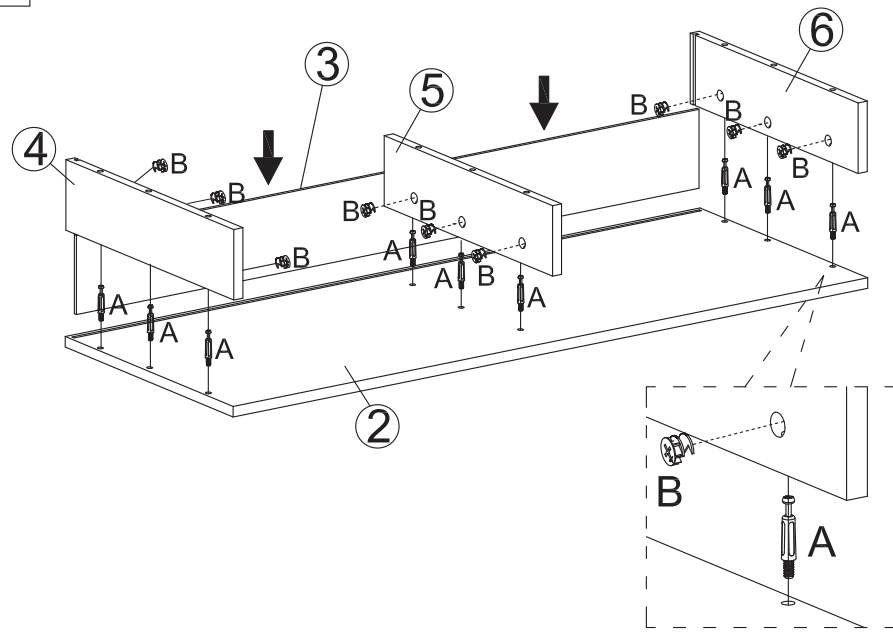
ASSEMBLY INSTRUCTION

DO NOT TIGHTEN SCREWS UNTIL COMPLETELY ASSEMBLED

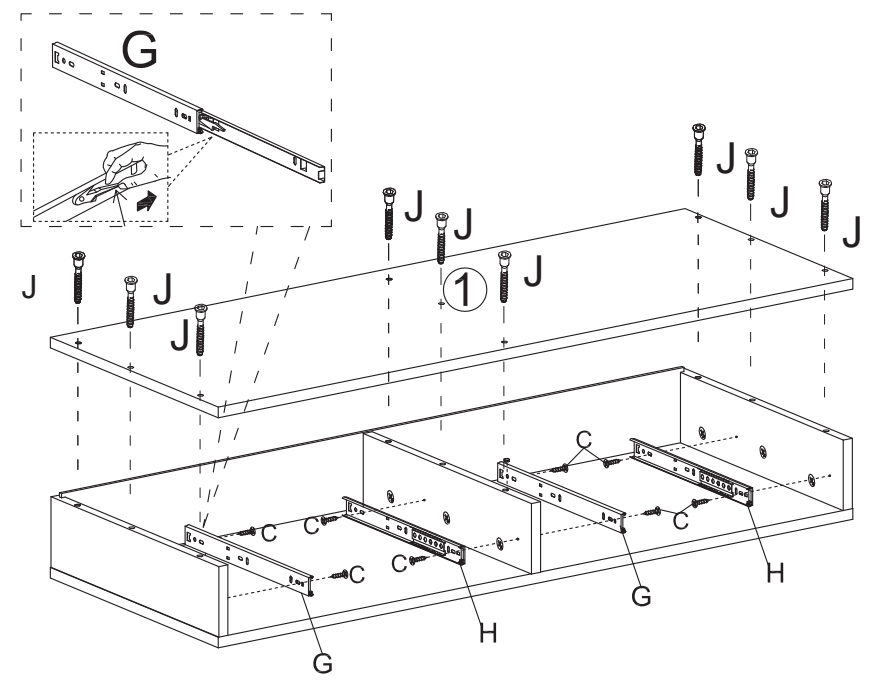


									
①×1PC	②×1PC	③×1PC	④×1PC	⑤×1PC	⑥×1PC	⑦×1PC	⑧×2PCS		
									
⑨×2PCS	⑩×2PCS	⑪×2PCS	⑫×2PCS	⑬×2PCS	⑭×2PCS	⑮×1PC	⑯×1PC		
									
A×17PCS	B×17PCS	C×18PCS	D×8PCS	E×10PCS	F×8PCS	G×2PCS	H×2PCS	I×1PC	J×9PCS

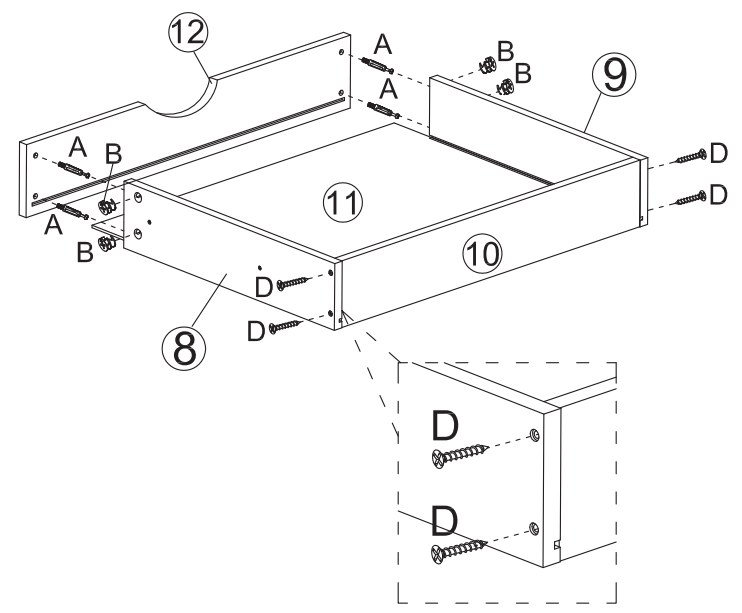
1



2

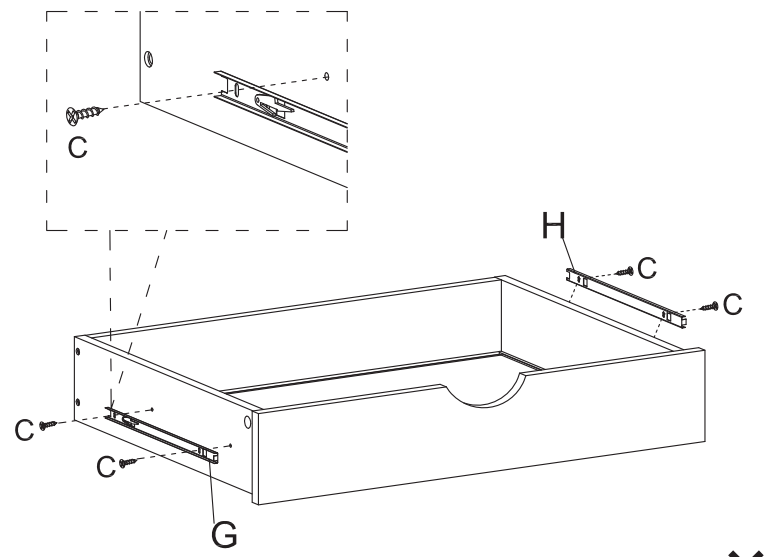


3



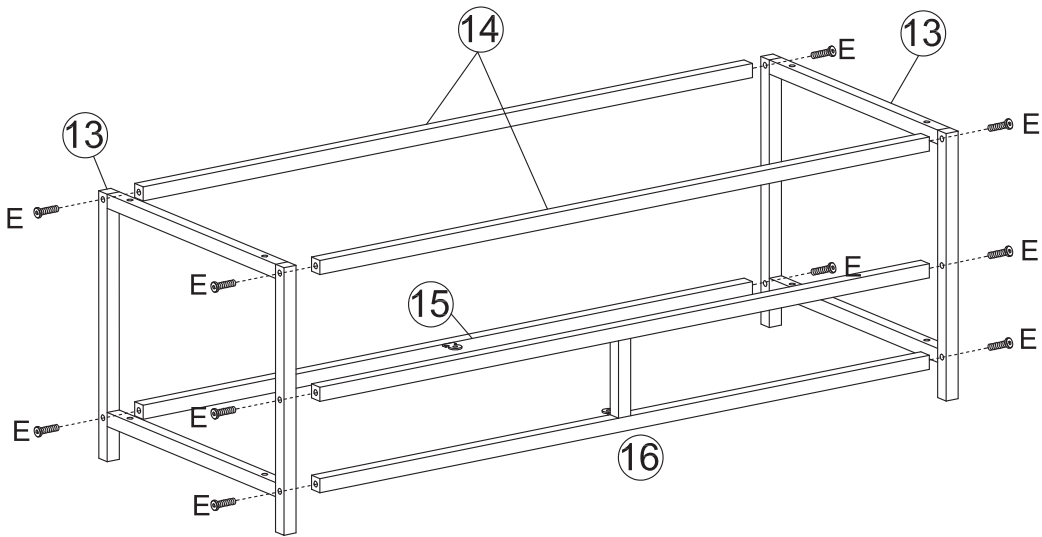
x2

4

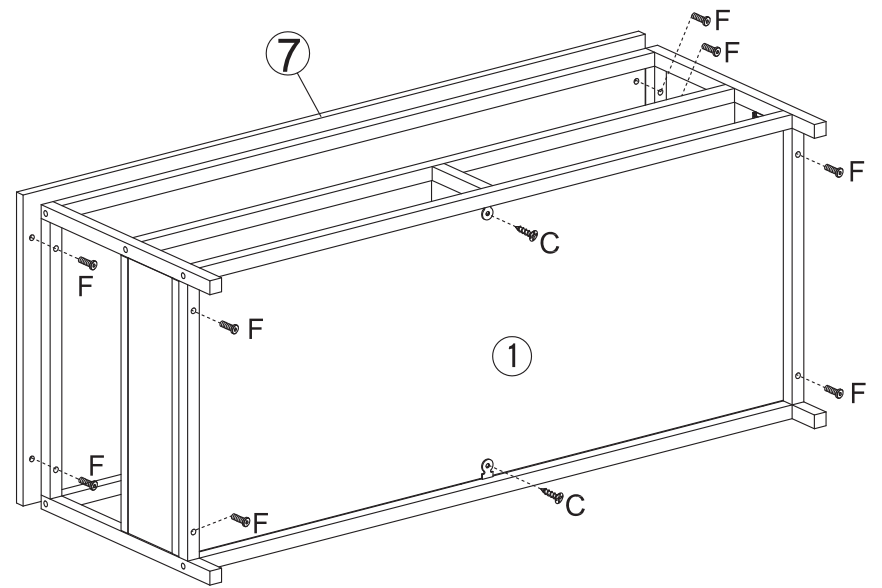


x2

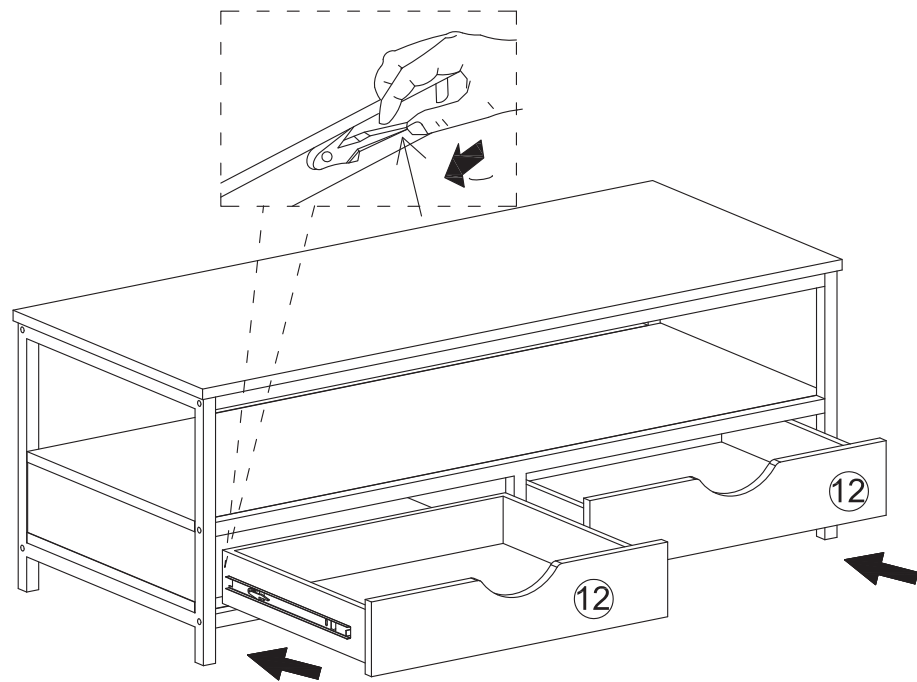
5



6



7



8

