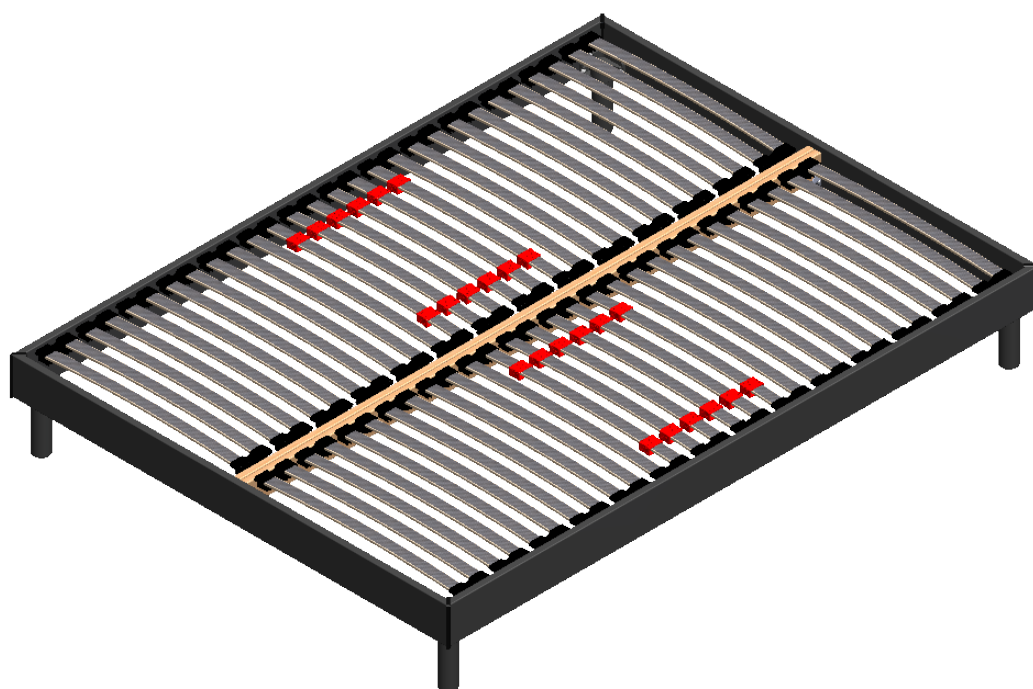


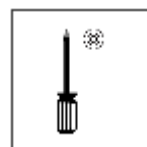
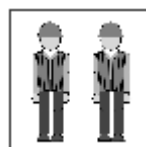
		ANTRACITE	160X200





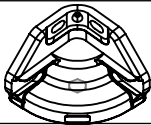
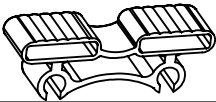
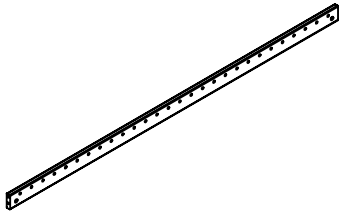
*HANDLEIDING.
NOTICE DE MONTAGE.
ASSEMBLING INSTRUCTIONS.
MONTAGEANLEITUNG.
ISTRUZIONI DI MONTAGGIO.
INSTRUCÕES DE MONTAGEM.
MANUAL DE MONTAJE.
INSTRUCJA MONTA ZU.*








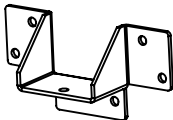
*ALVORENS DE MONTAGE TE STARTEN, GELIEVE DE HANDLEIDING TE VOLGEN.
AVANT DE COMMENCER, SE REPORTER AUX CONSEILS DE MONTAGE En ANNEXE.
BEFORE STARTING, REFER TO THE ASSEMBLING ADVICE ANNEX.
PRIMA DI COMMINCIARE, LEGGERE I CONSIGLI DI MONTAGGIO.
VOR DIE MONTAGE, BITTE BEILIEGENDE ANWEISUNGEN FOLGEN.
ANTES DE LA INSTALACIÓN, POR FAVOR SIGA LAS INSTRUCCIONES ADJUNTO.
ANTES DE EMPEZAR CONSULTE LOS CONSEJOS PARA EL MONTAJE.
PREZED ROZPOCZECIEM ZAPOZNAC SIE Z ZALACZONA INSTRUKCJA MONTAZU.*

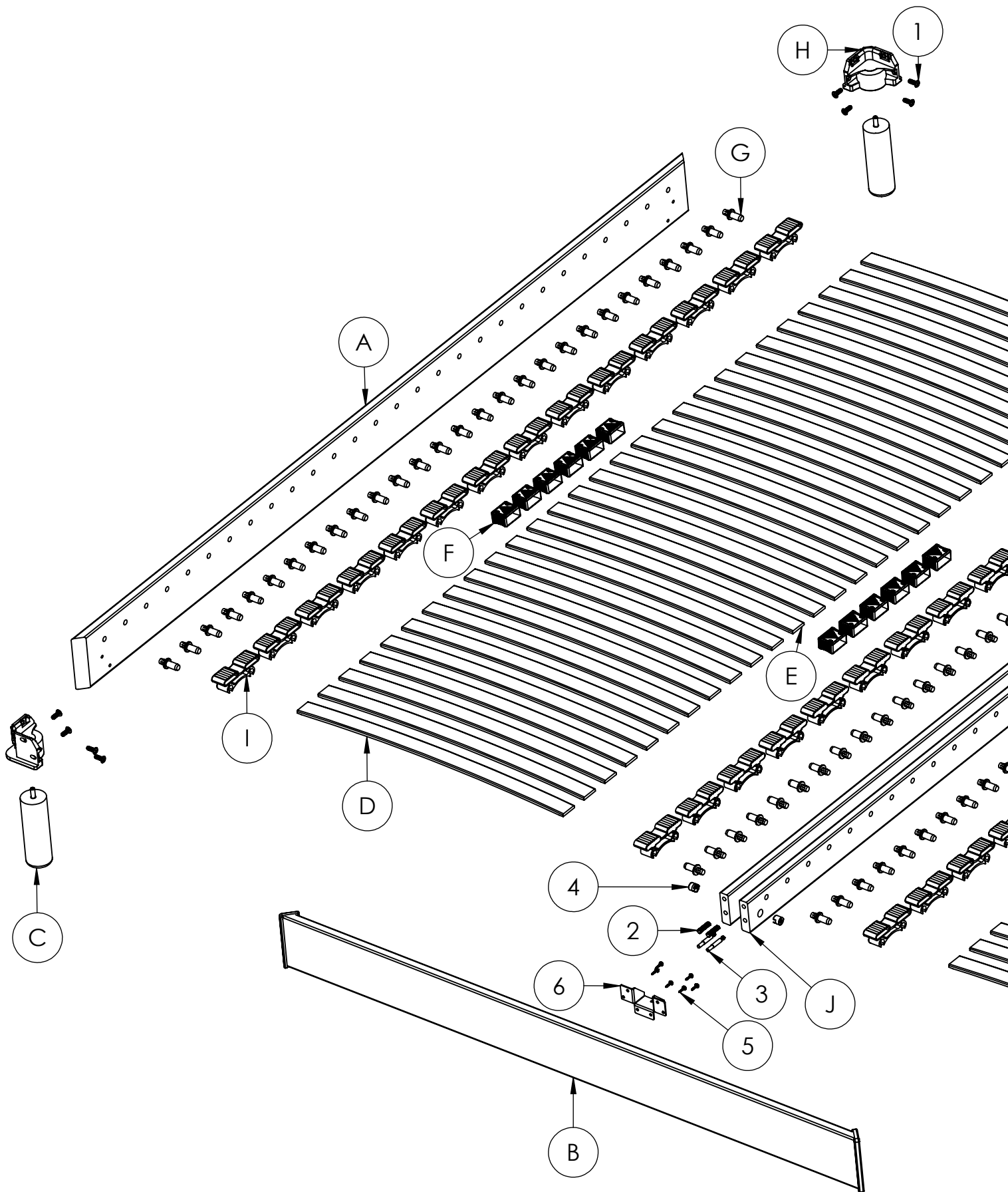
K06

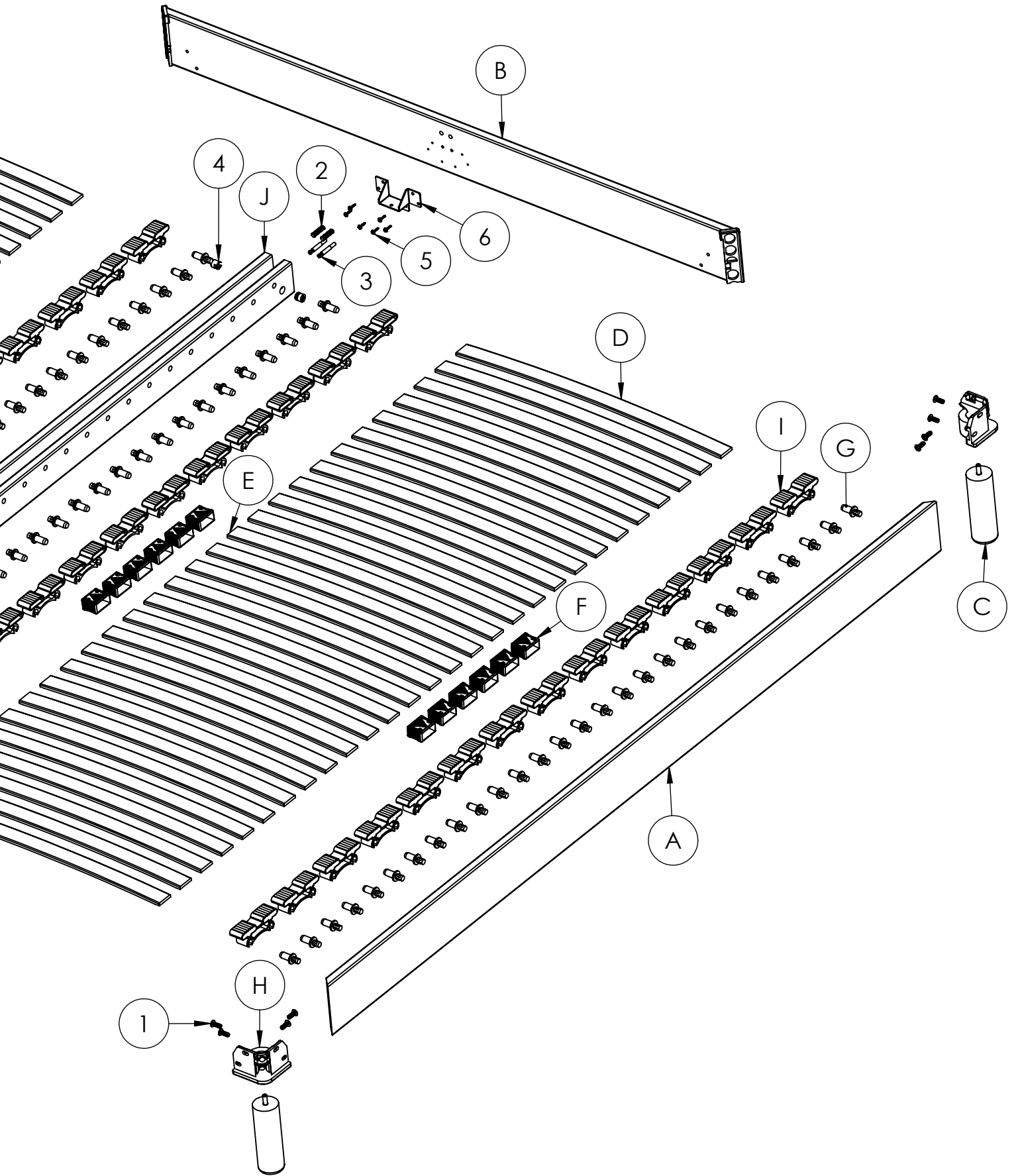


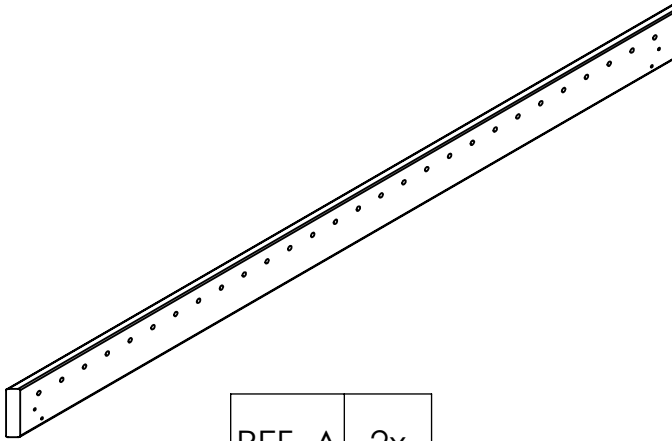
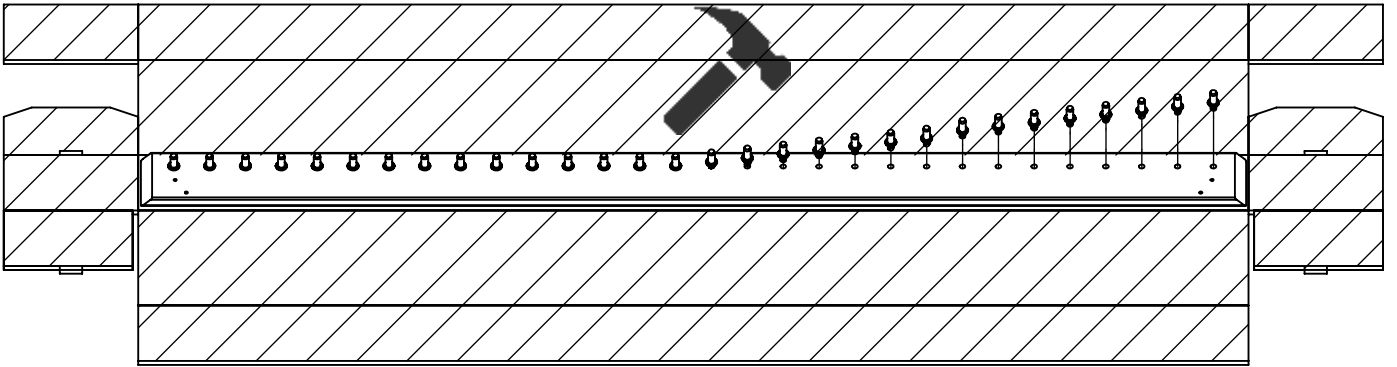
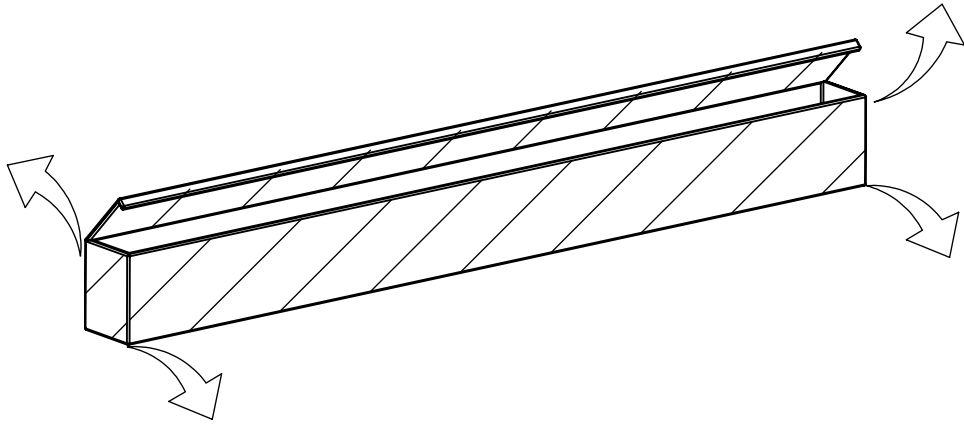
REF.	ILL.	ART.	PCS.
D		20.401.000.467	60x
E		20.401.001.709	12x
F		10.009.000.030	24x
G		10.002.000.003	120x
H		10.011.000.242	4x
I		10.001.000.305	60x
J		20.301.000.450	2x

REF.	ILL.	ART.	PCS.
1		20.102.000.384	16x
2			4x
3			4x
4			4x

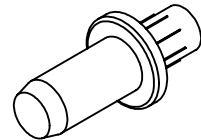
REF.	ILL.	ART.	PCS.
5		20.102.000.386	12x
6			2x



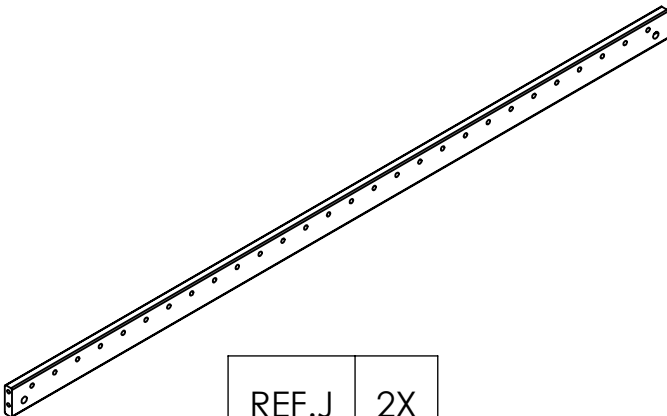




REF. A	2x
--------	----

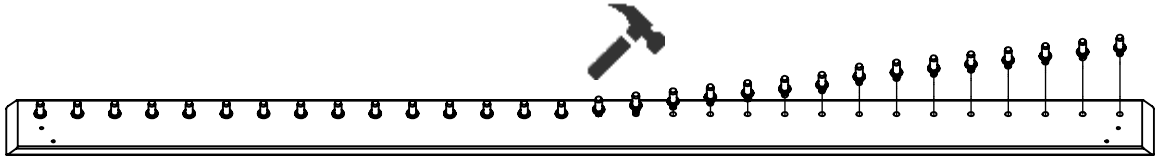


REF. G	112x
--------	------

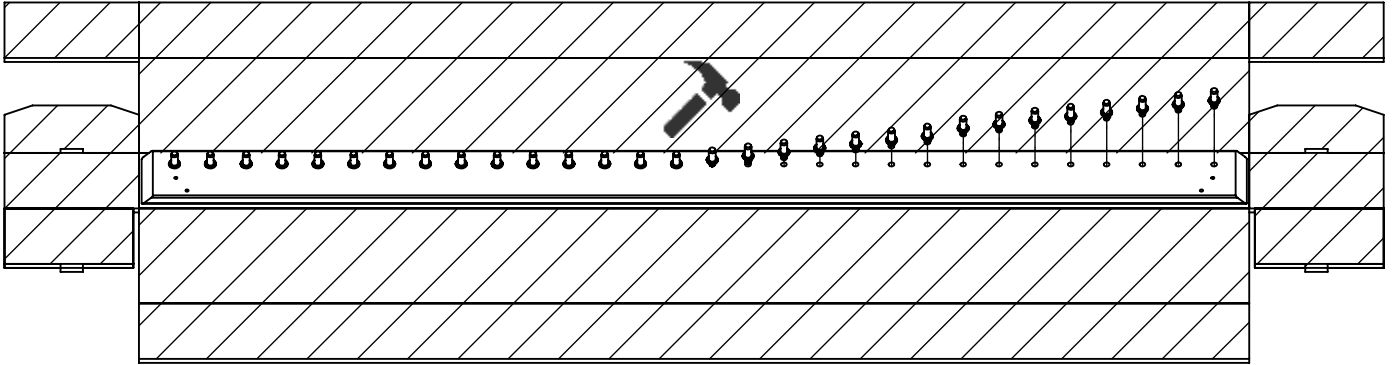


REF. J	2X
--------	----

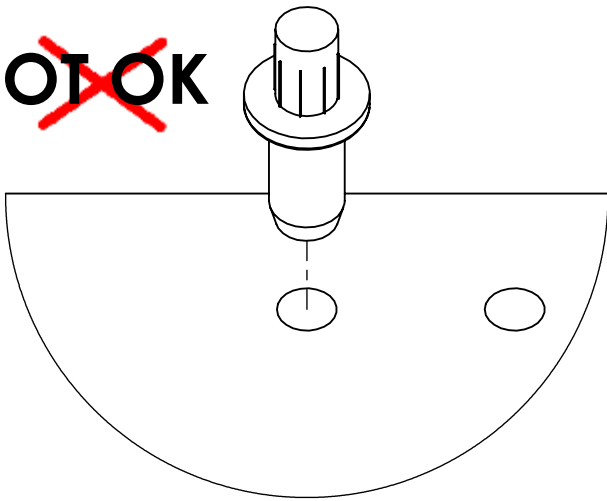
~~NOT OK~~



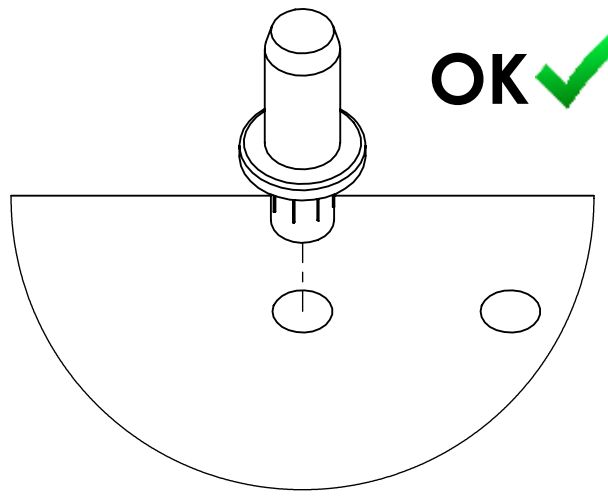
OK ✓



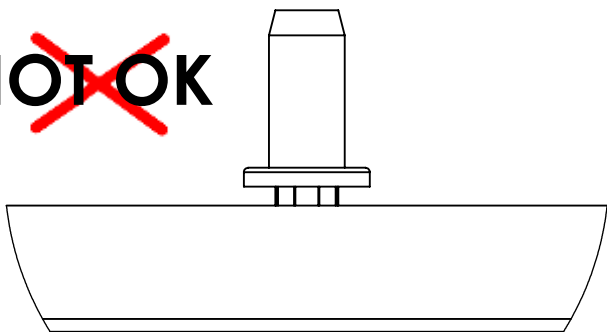
~~NOT OK~~



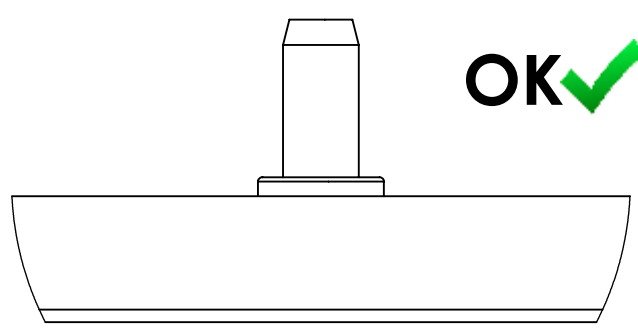
OK ✓



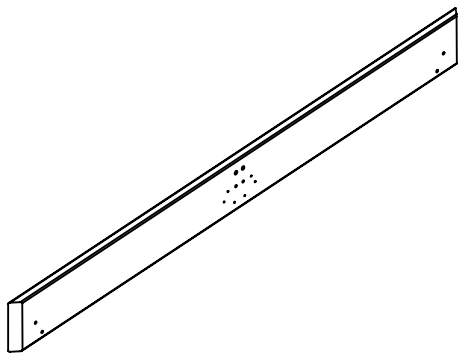
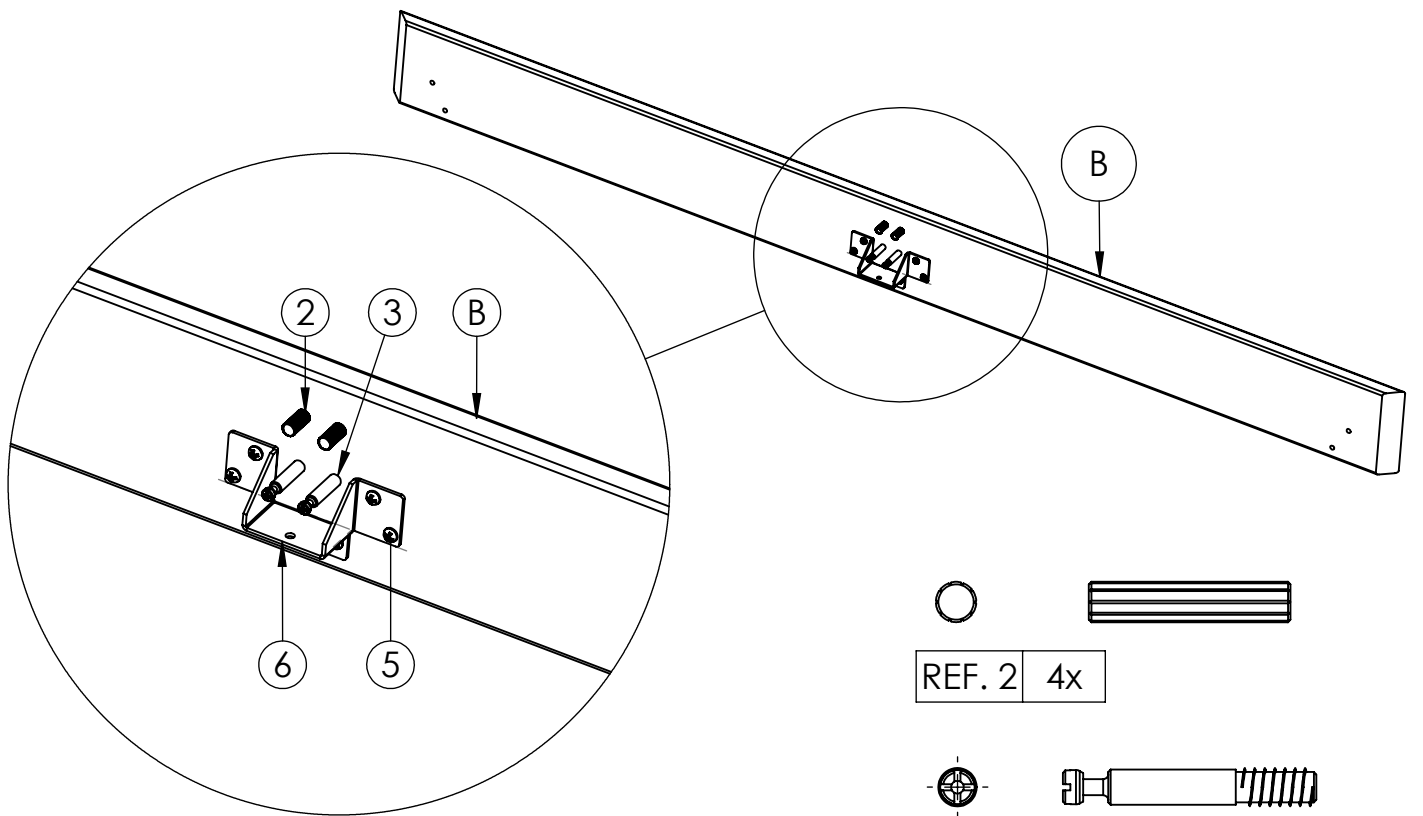
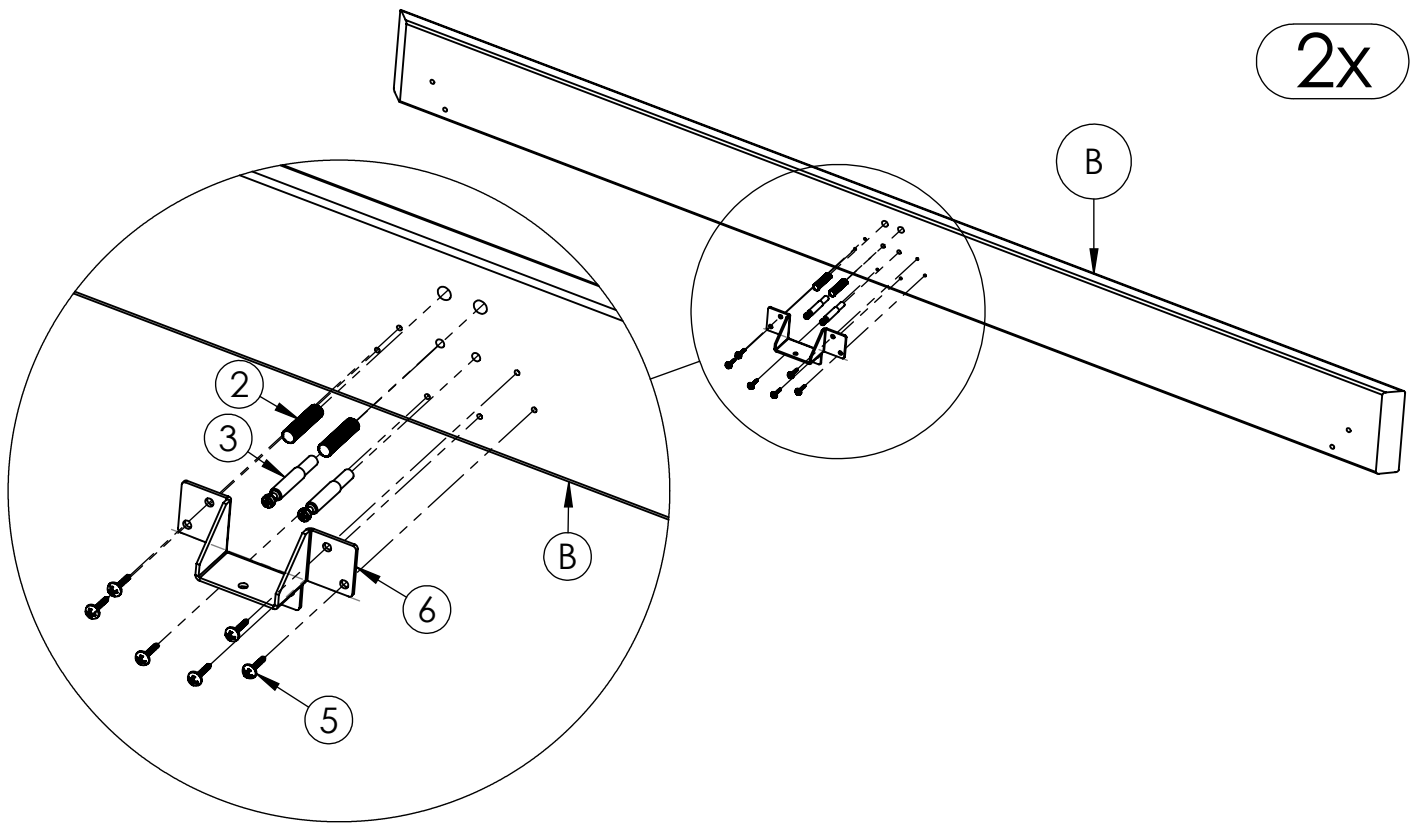
~~NOT OK~~



OK ✓



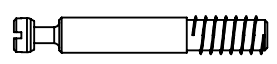
2x



REF. B 2x



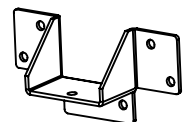
REF. 2 4x



REF. 3 4x

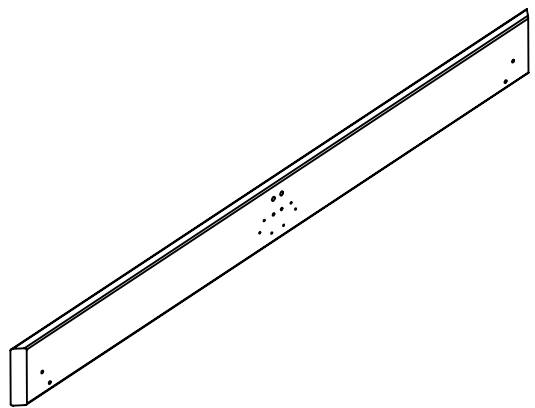
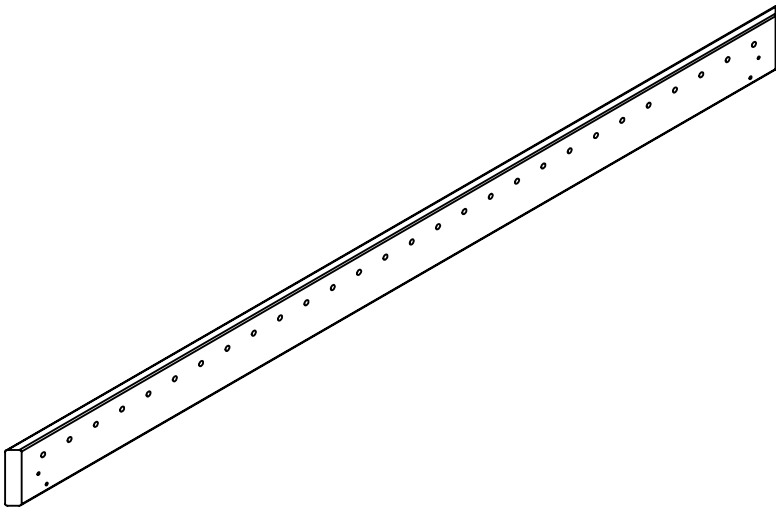
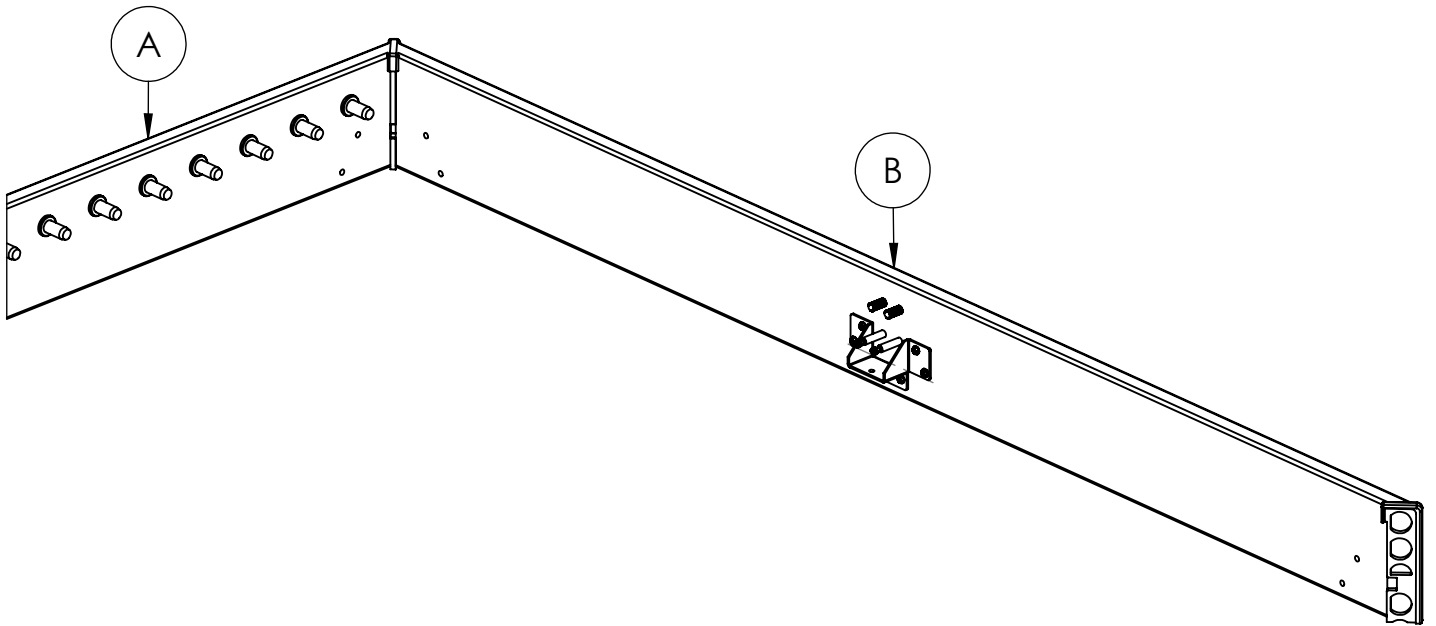
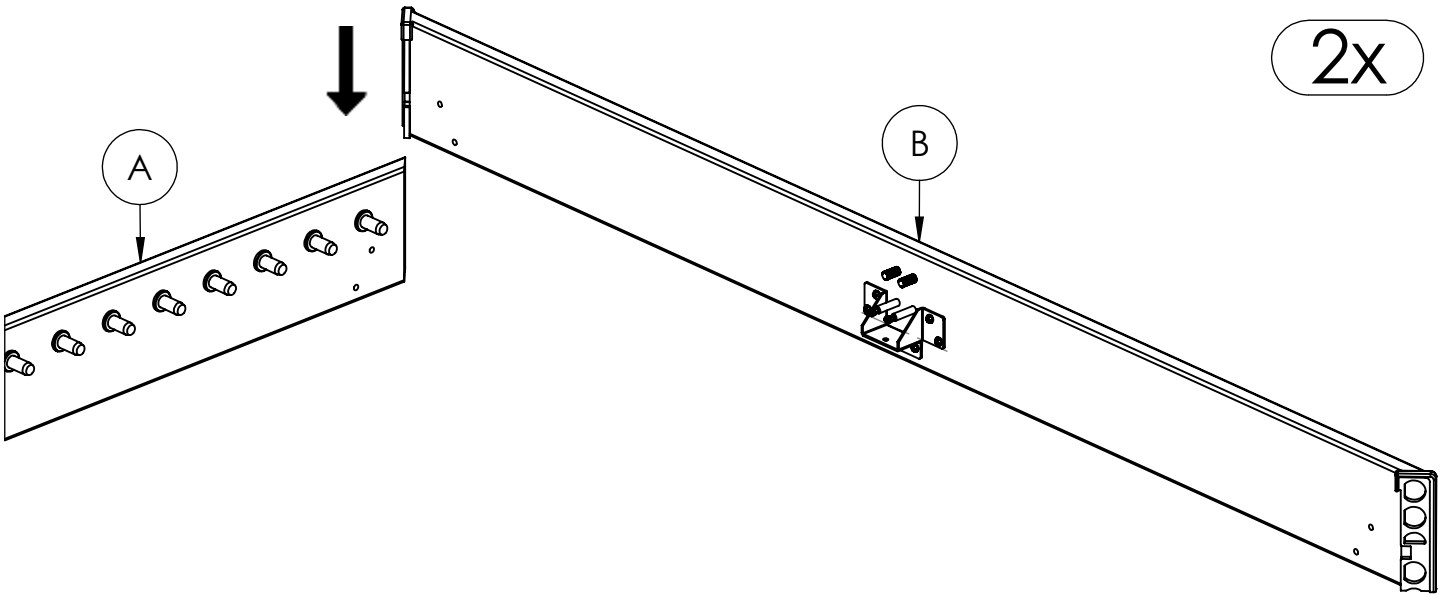


REF. 5 12x



REF. 6 2x

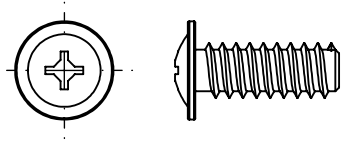
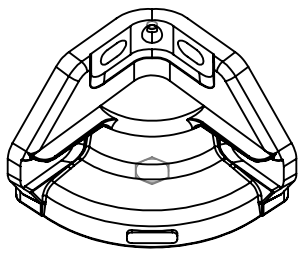
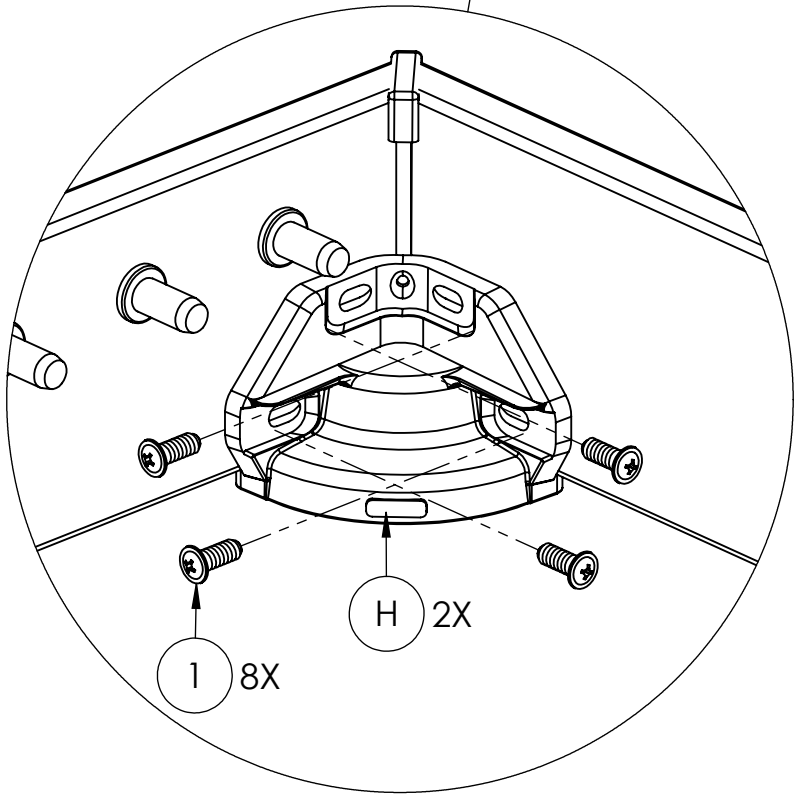
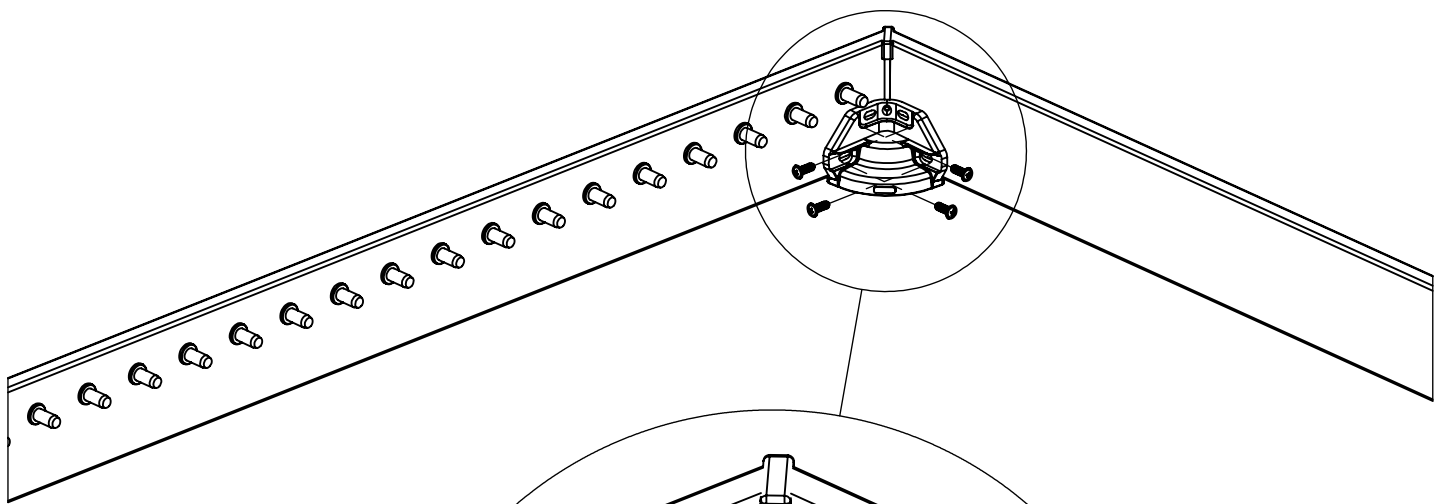
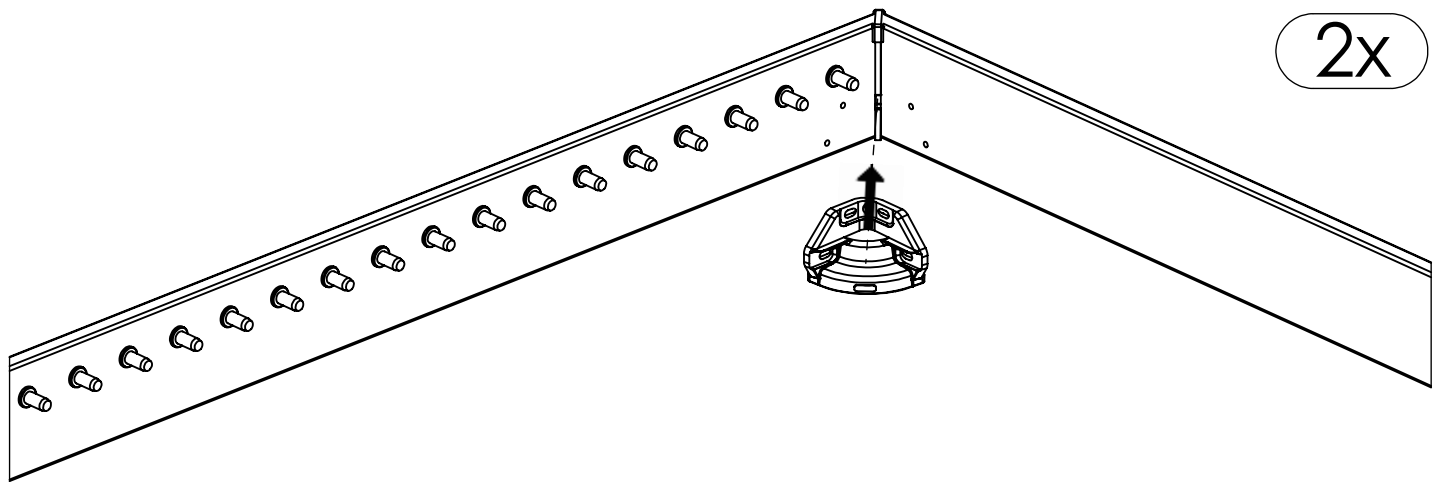
2x



REF. A	2x
--------	----

REF. B	2X
--------	----

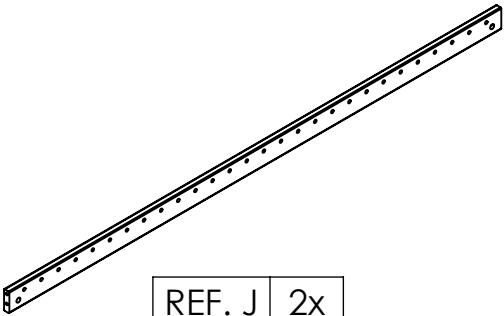
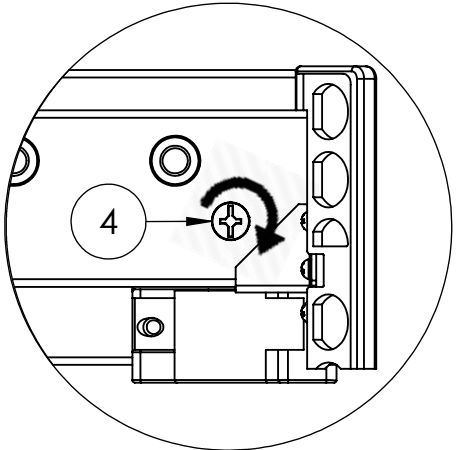
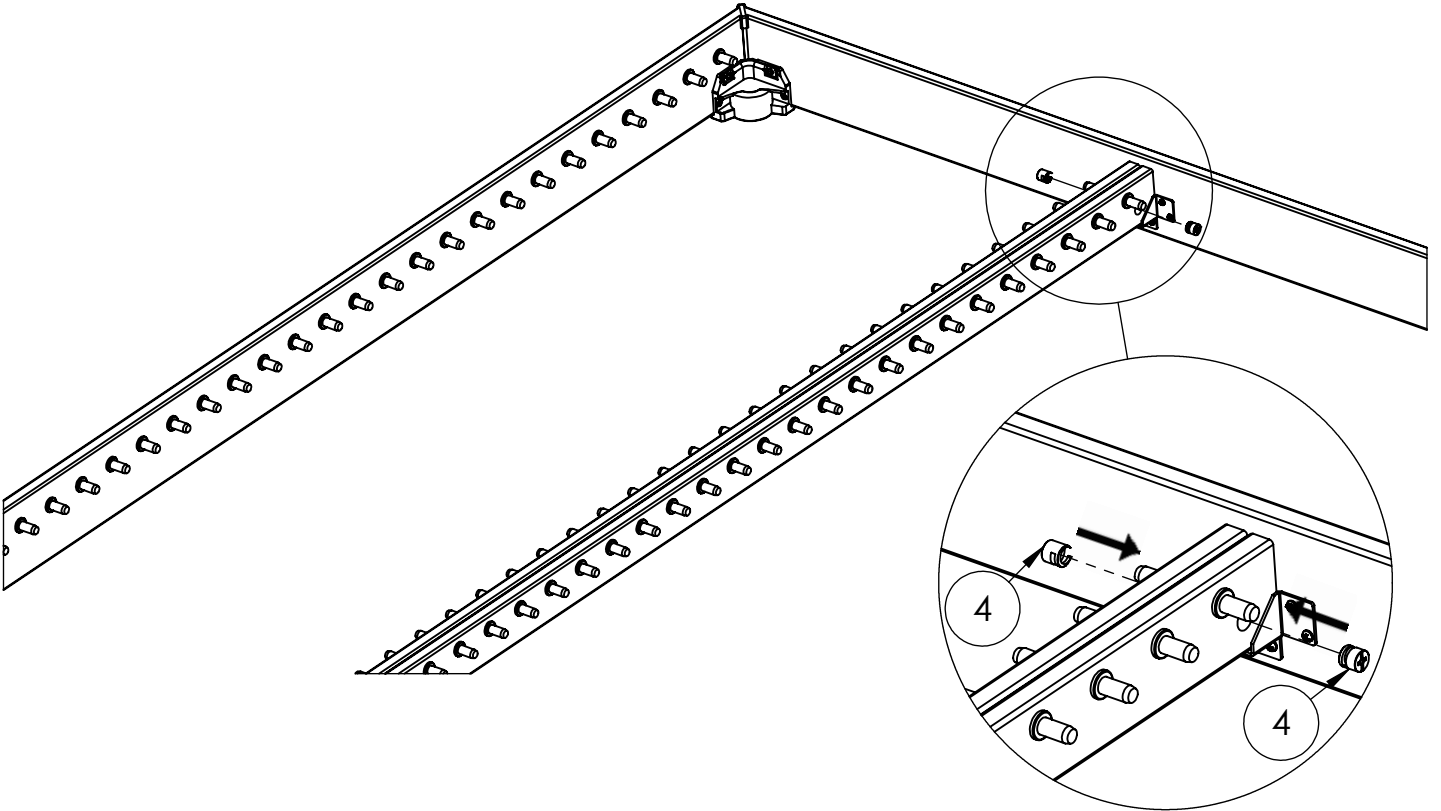
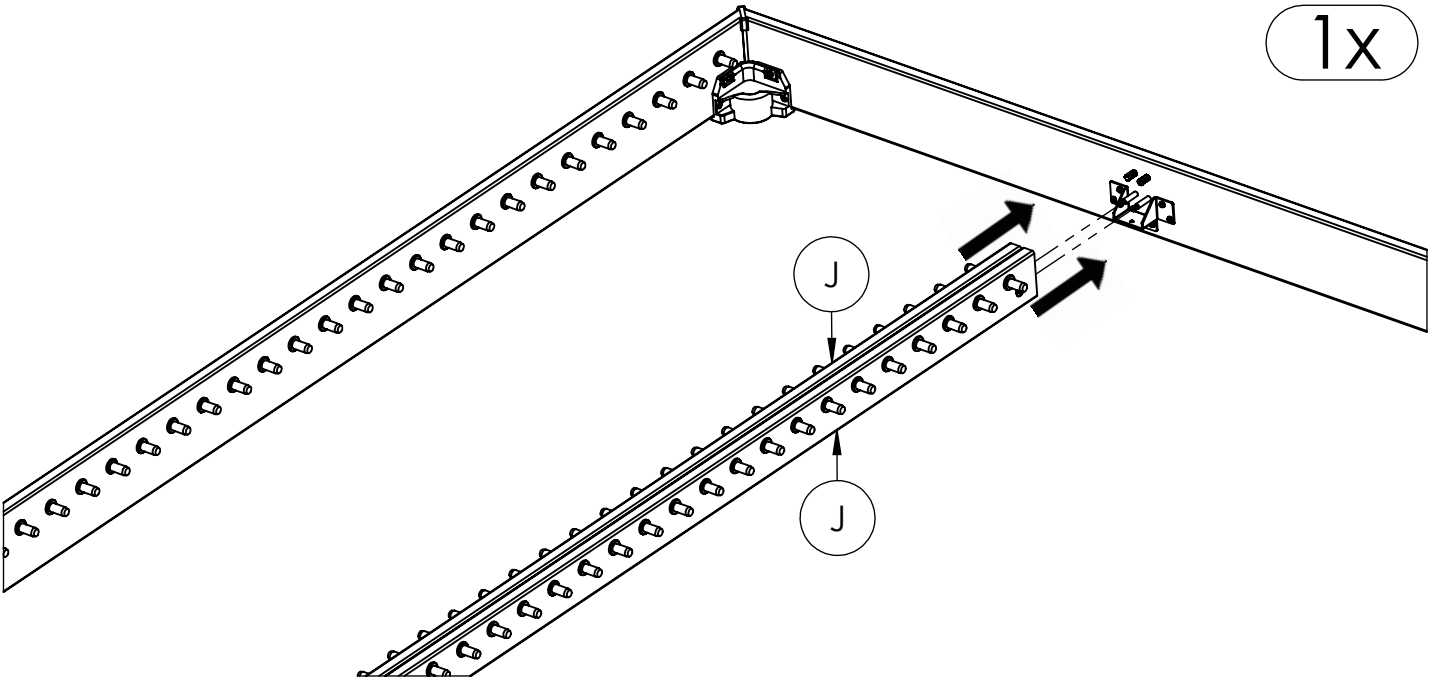
2x



REF. H | 2x

REF. 1 | 8x

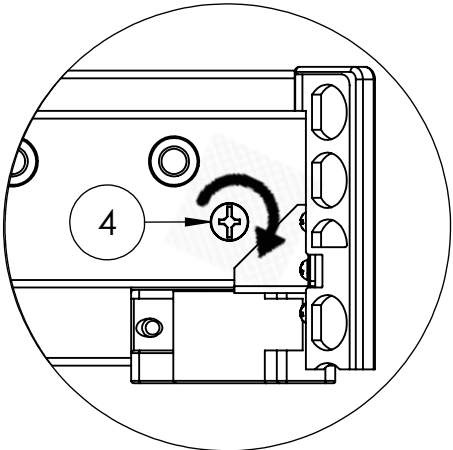
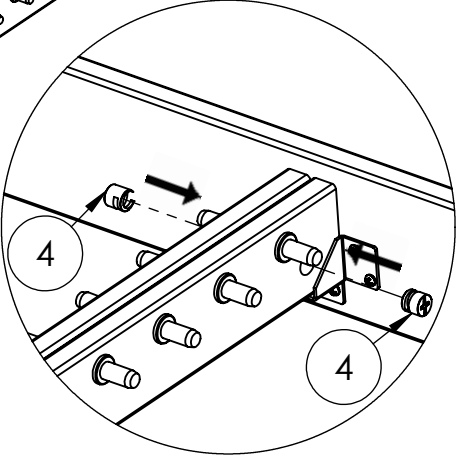
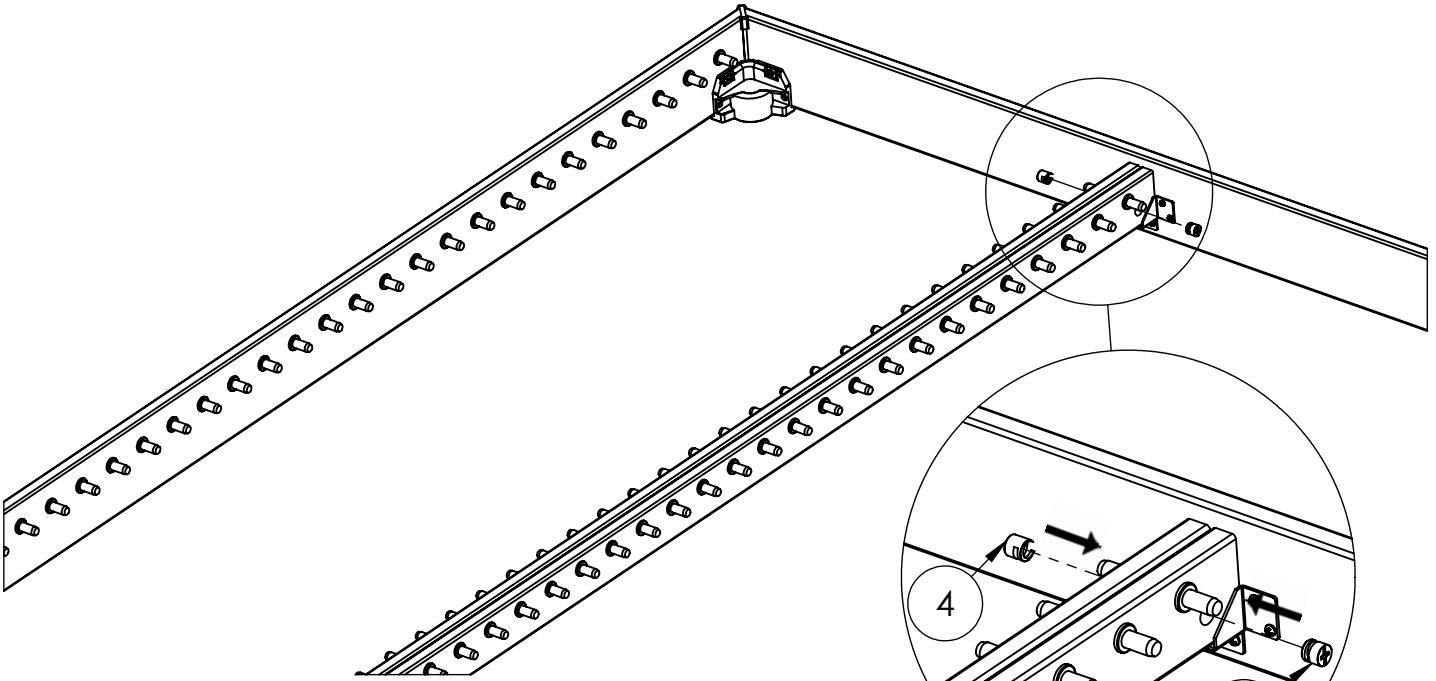
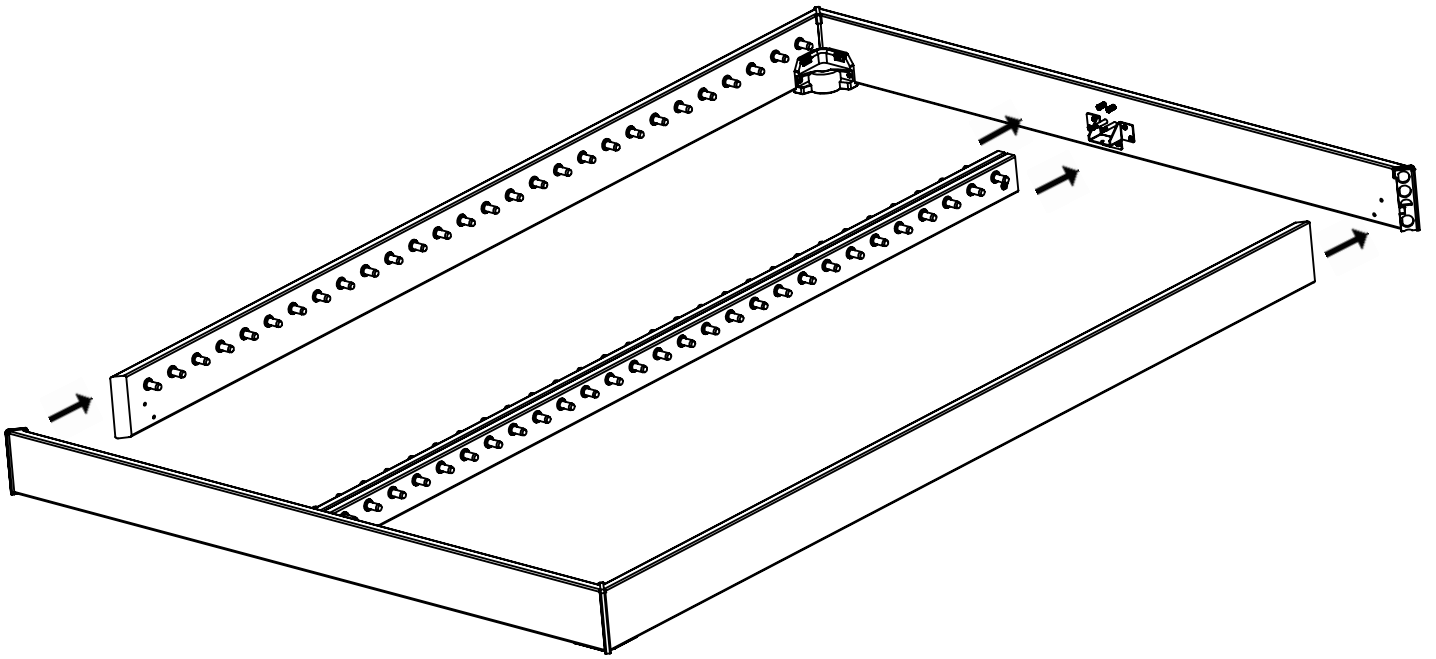
1x



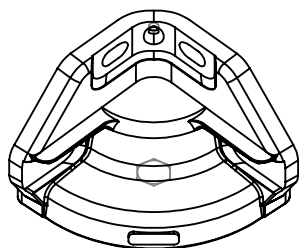
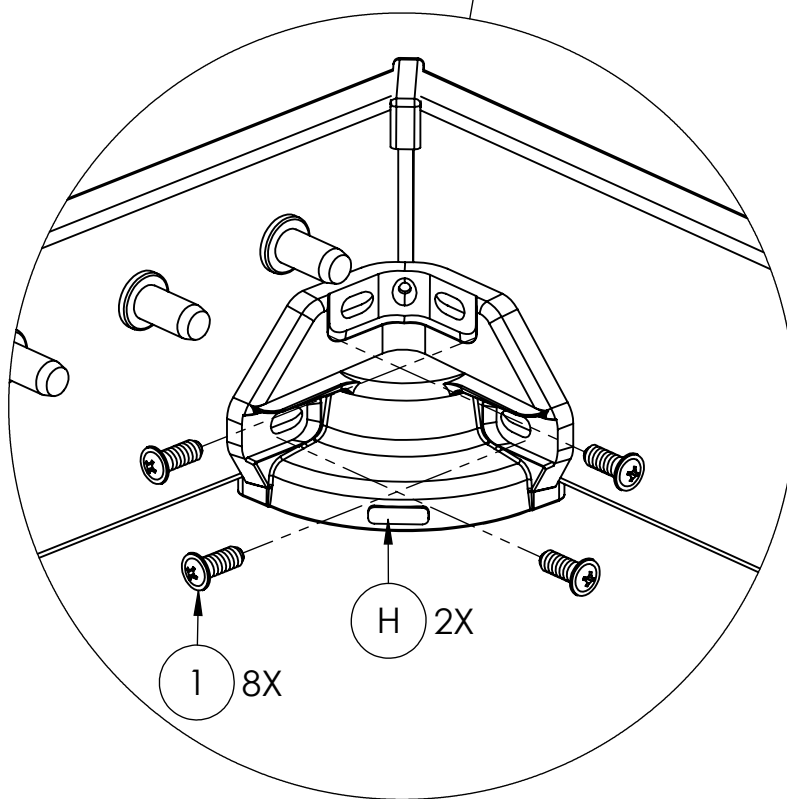
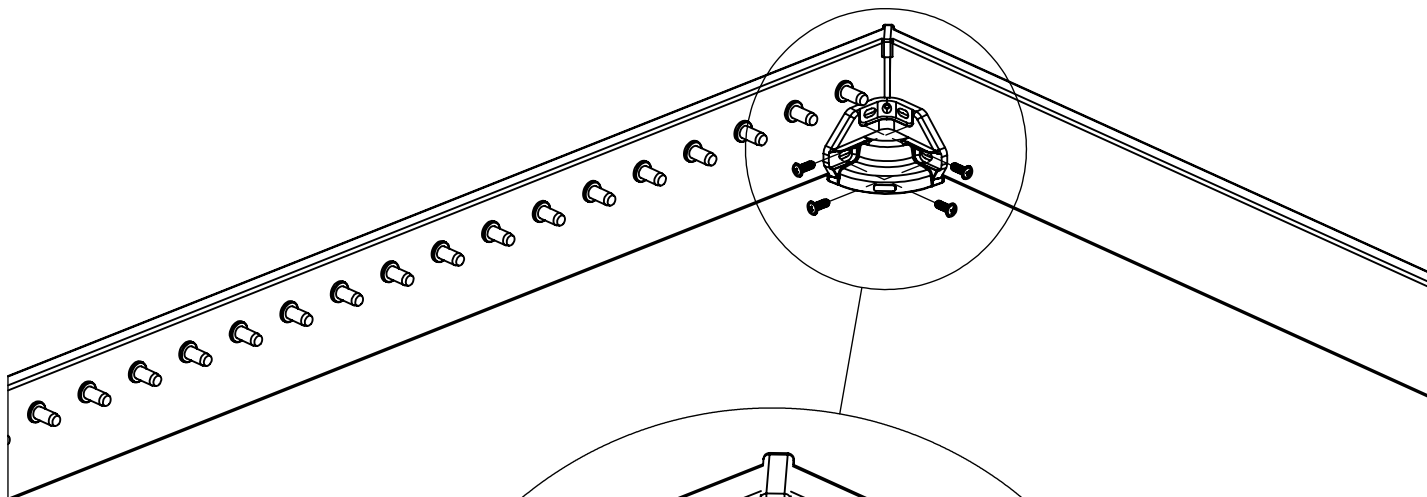
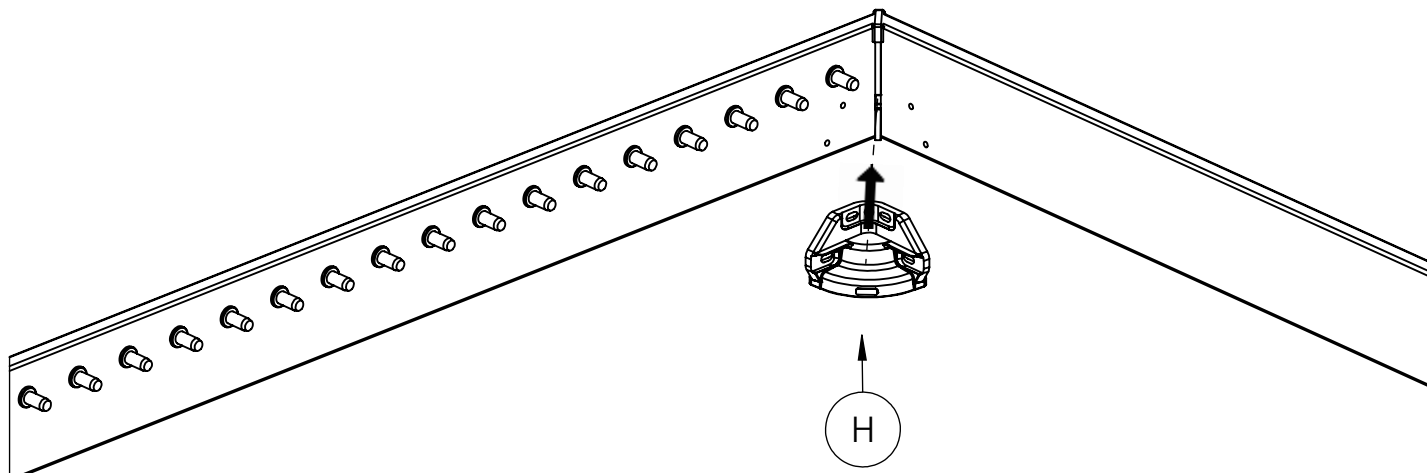
REF. J 2x



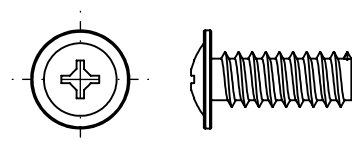
REF. 4 2x



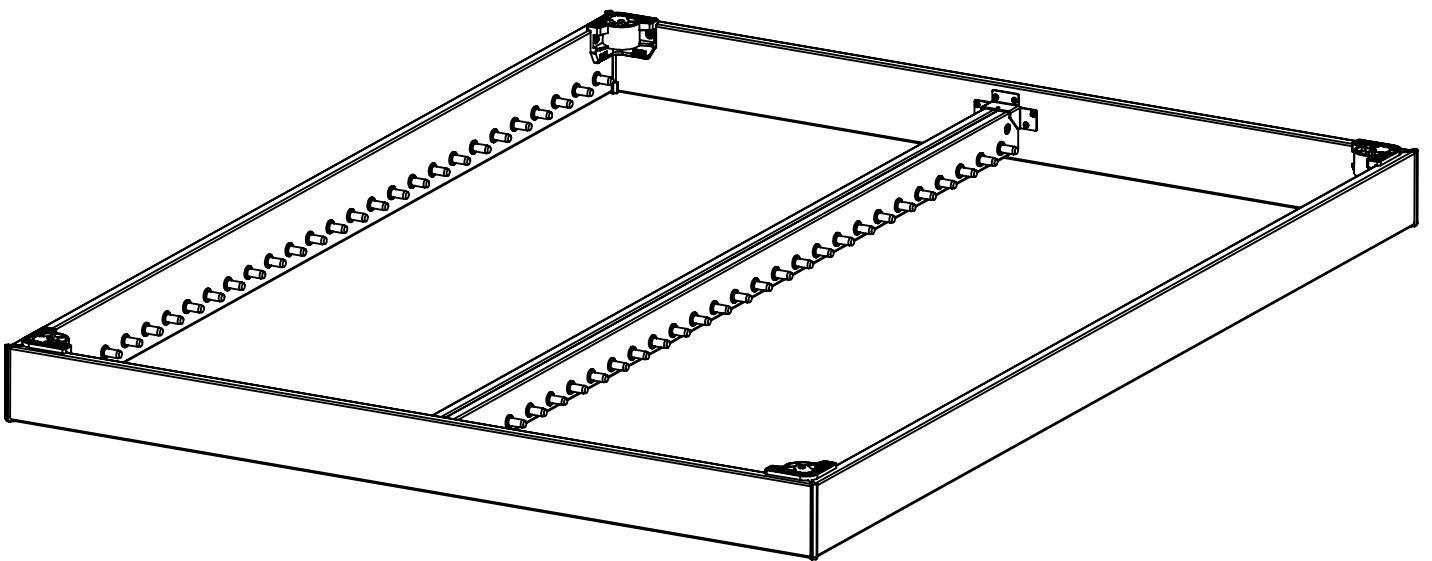
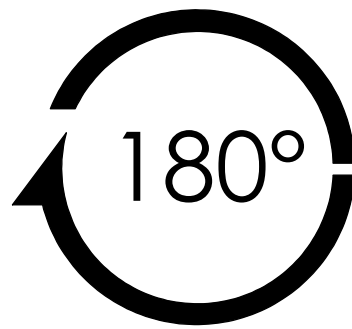
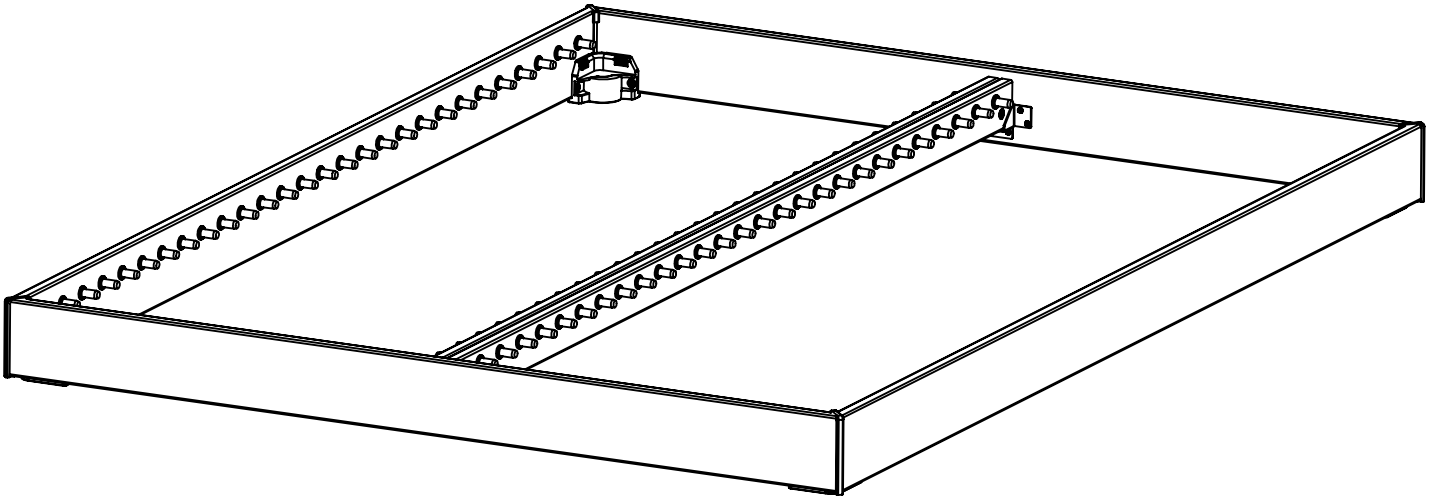
REF. 4 | 2x

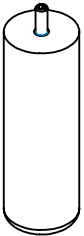
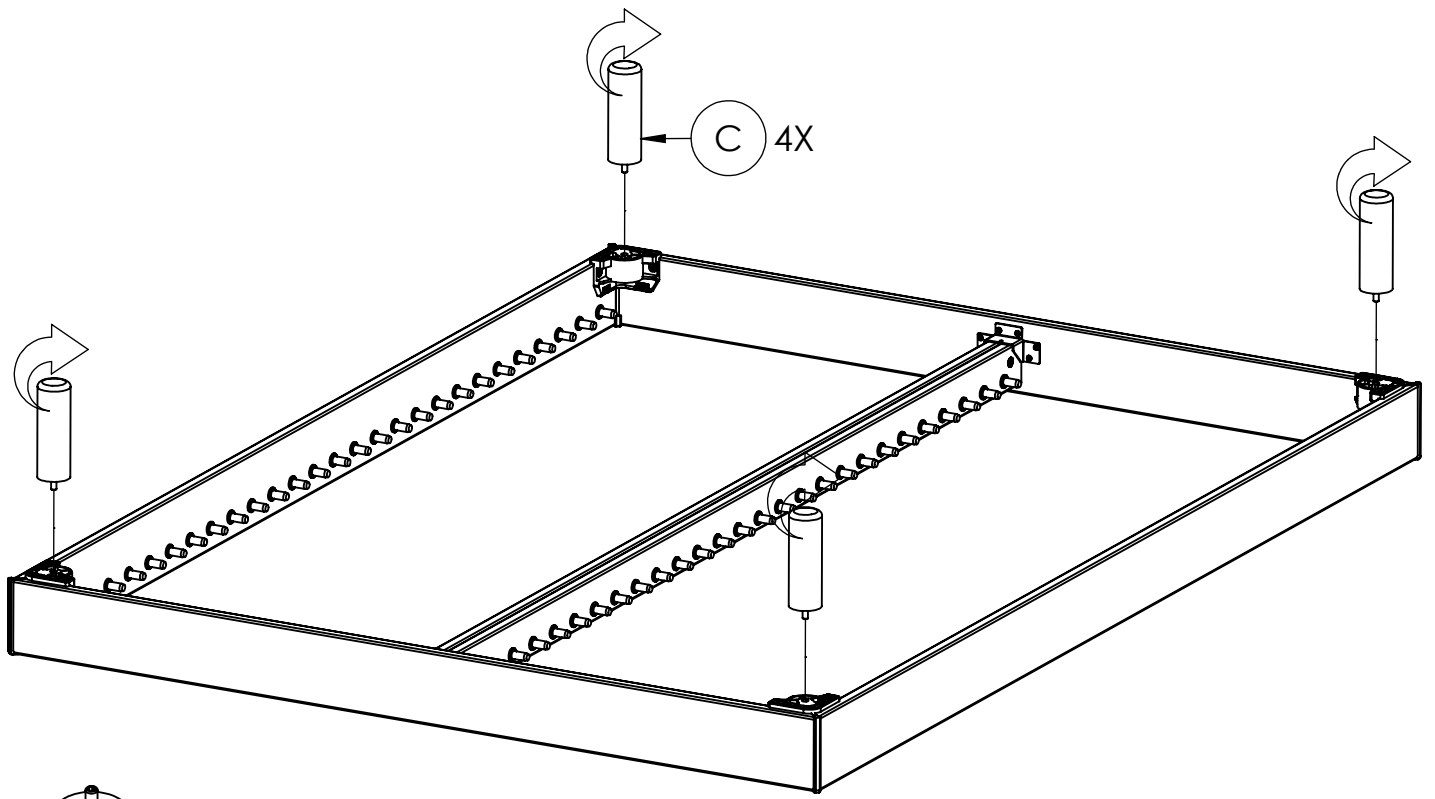


REF. H | 2x

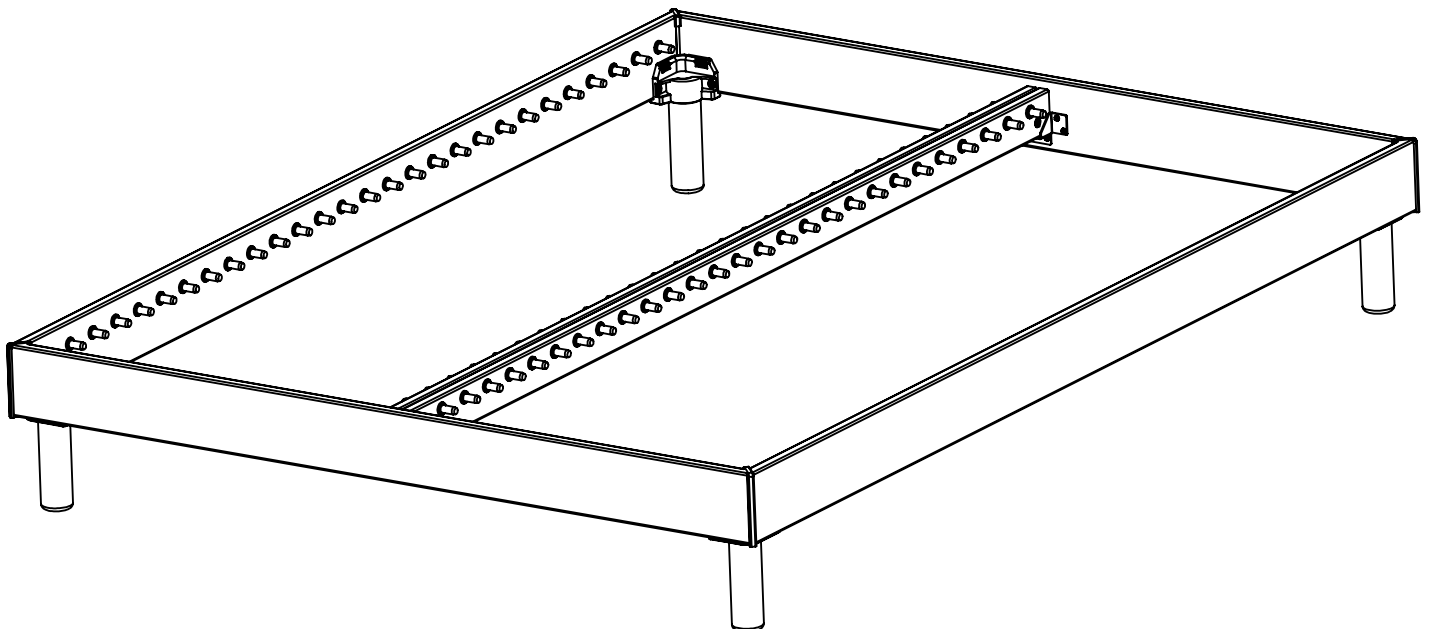
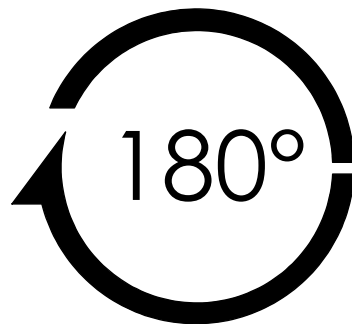


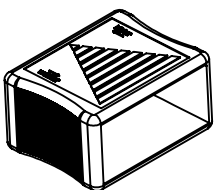
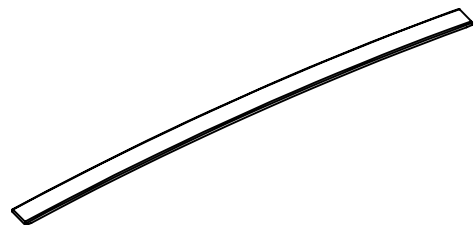
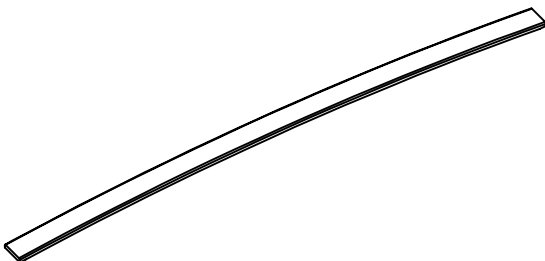
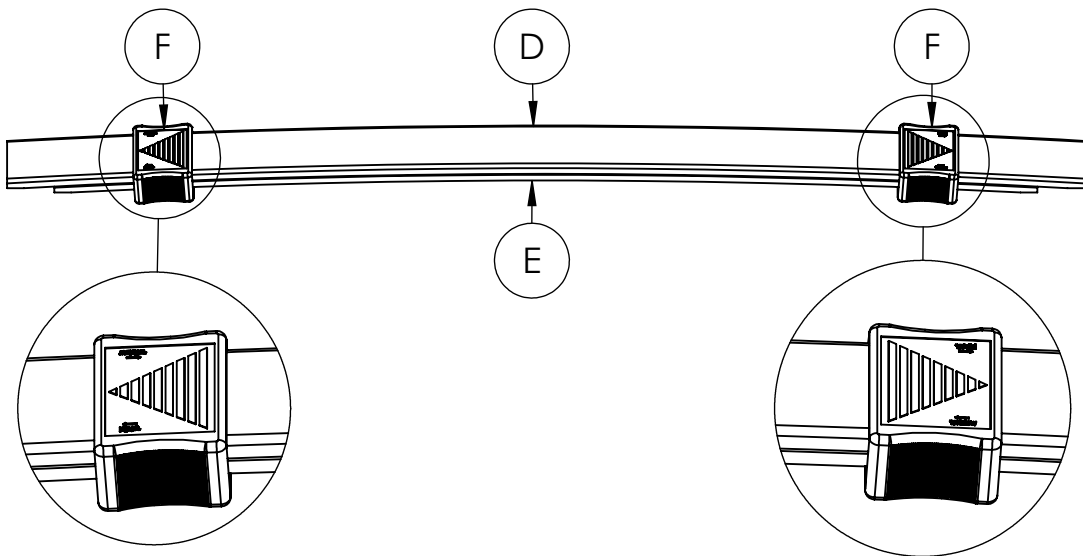
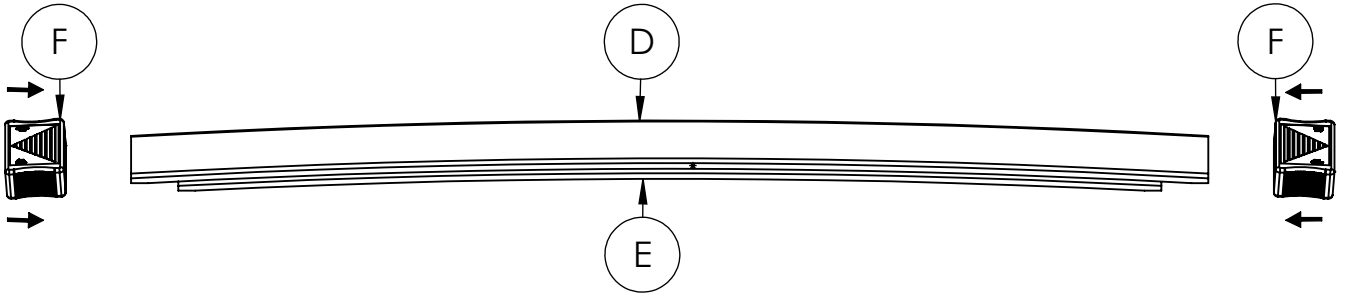
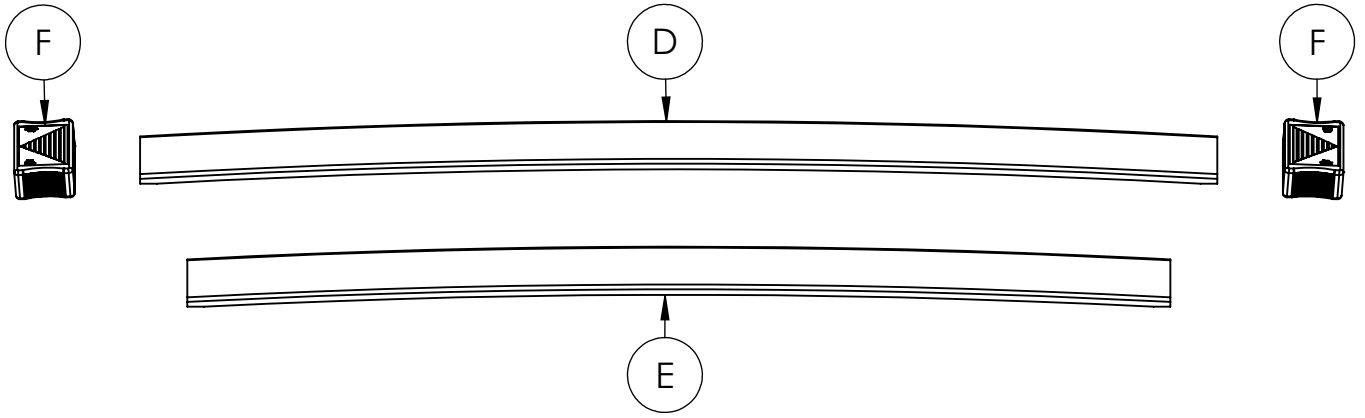
REF. 1 | 8x

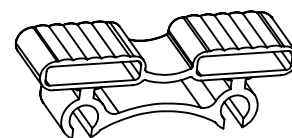
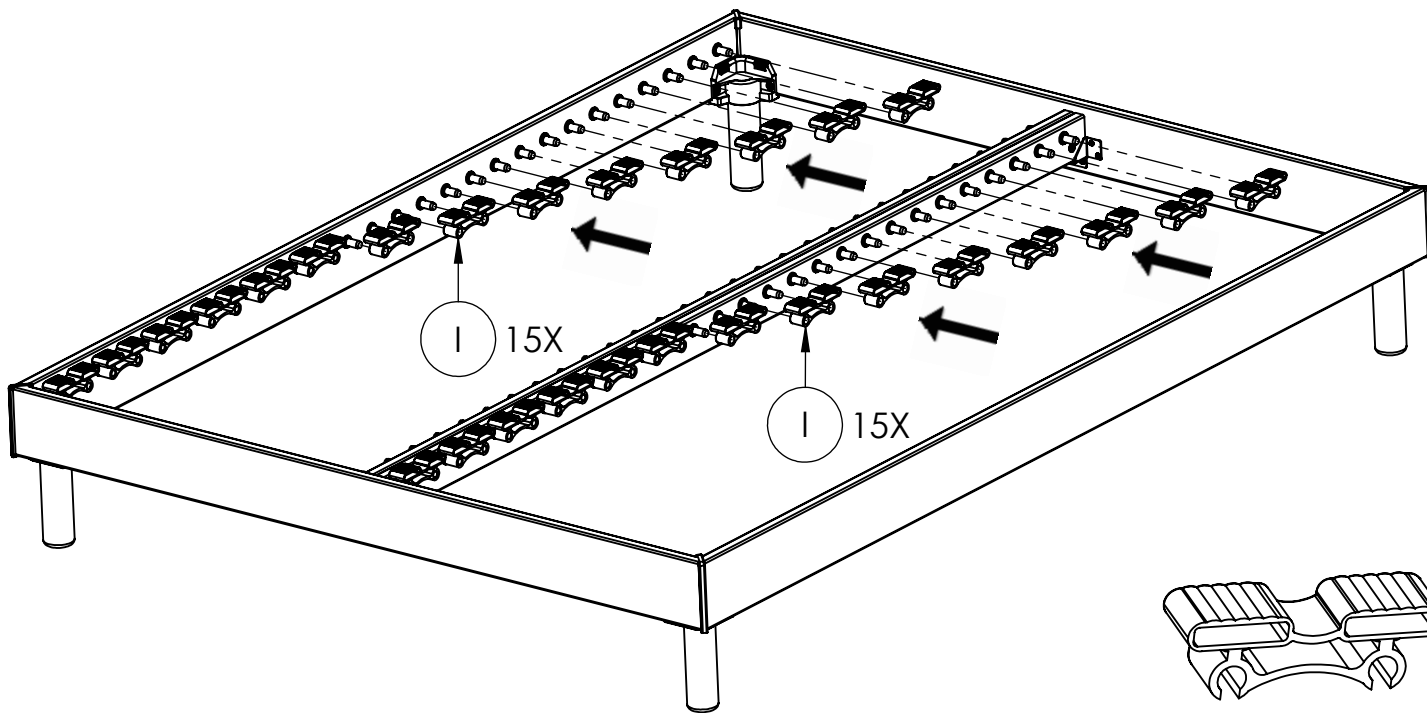




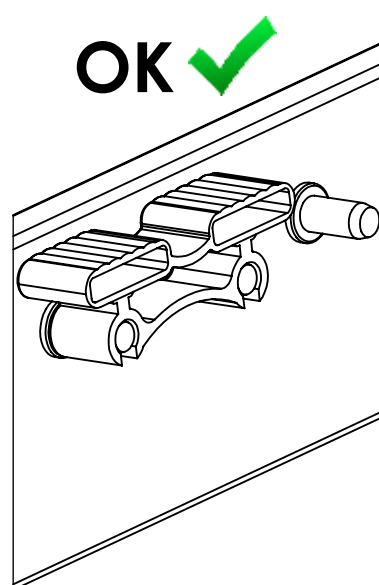
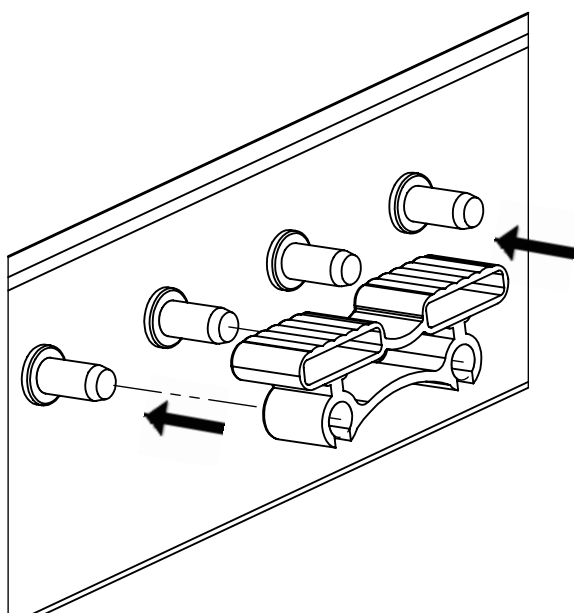
REF. C 4x



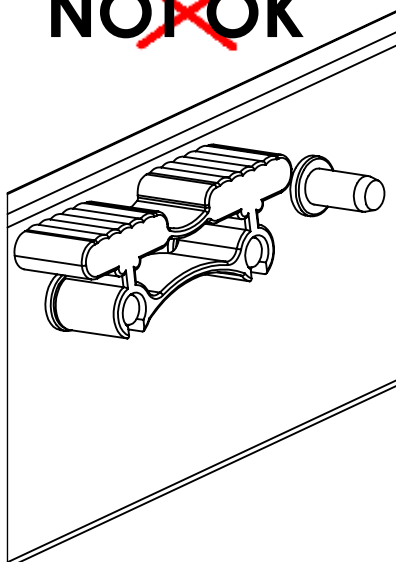




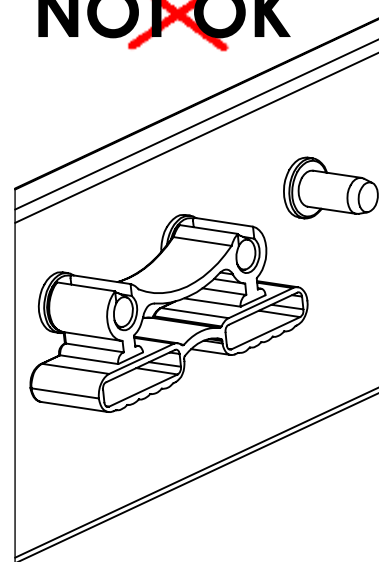
REF. I 30x

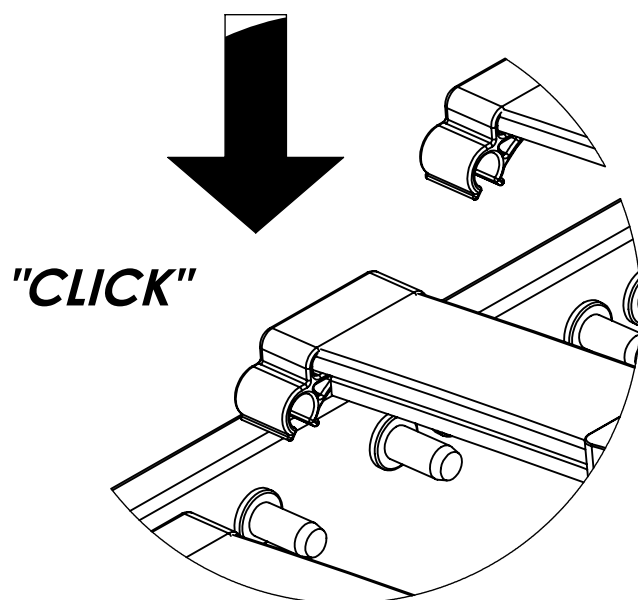
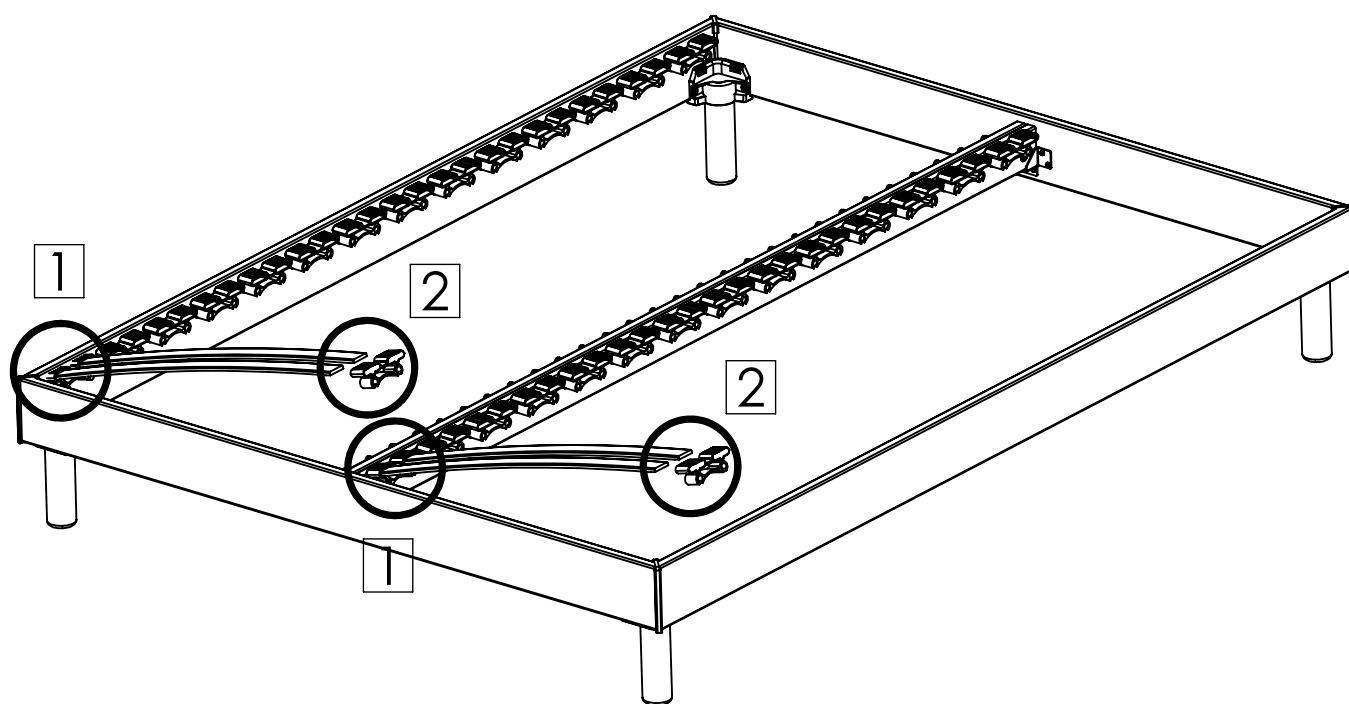
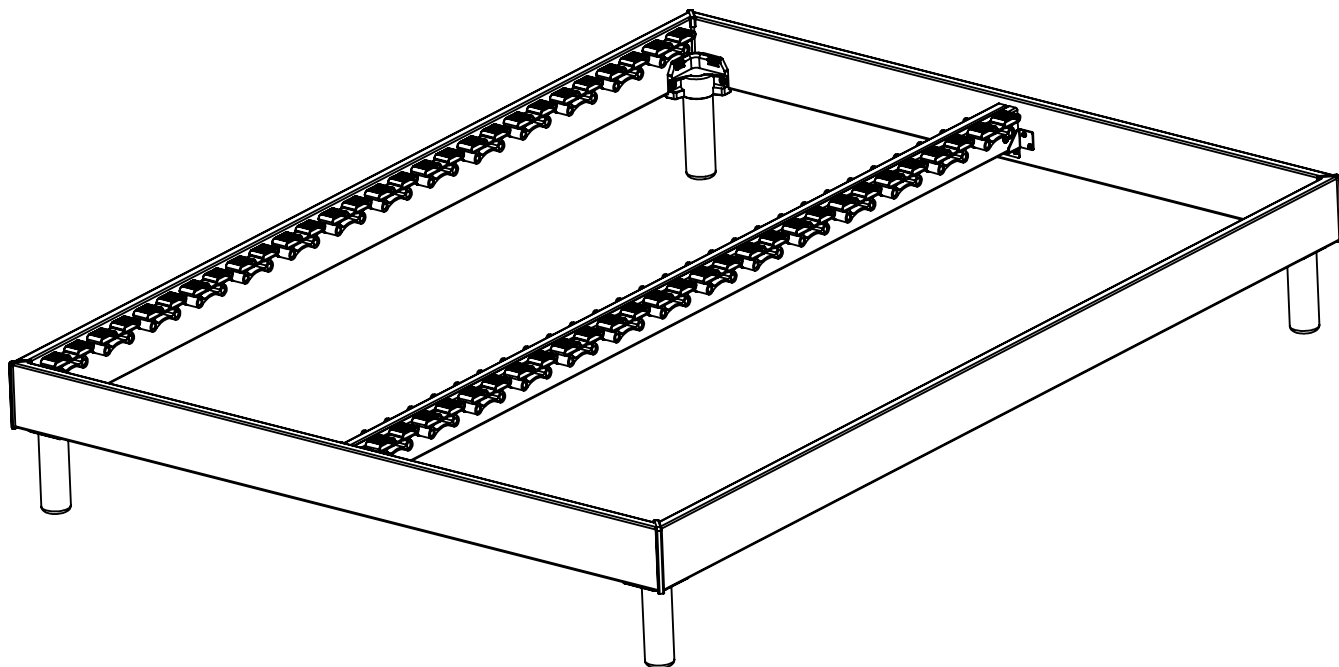


~~NOT OK~~

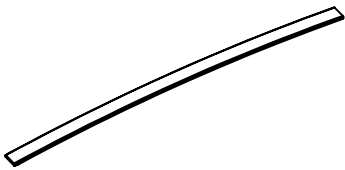
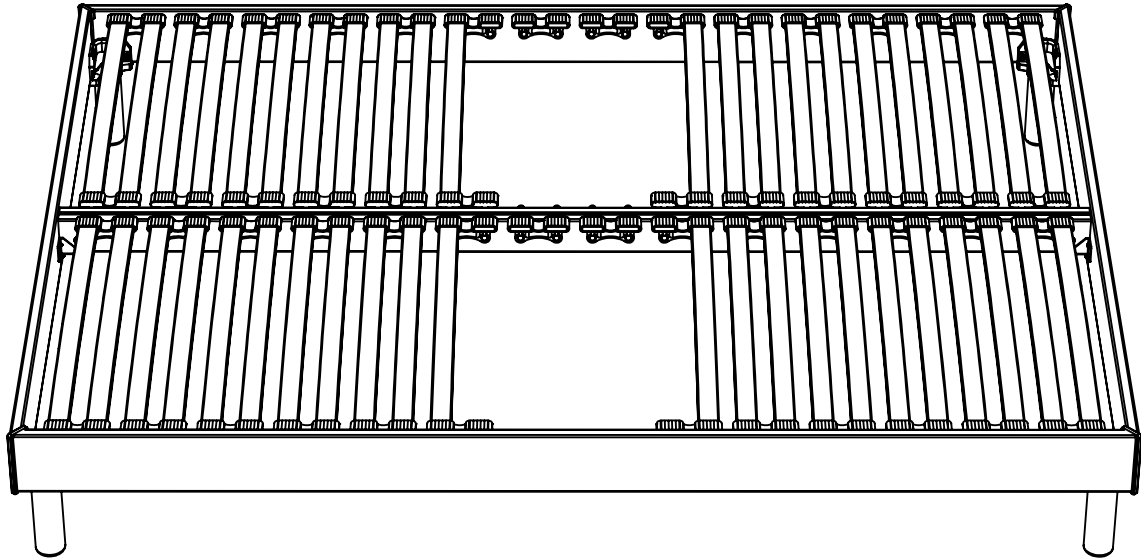


~~NOT OK~~

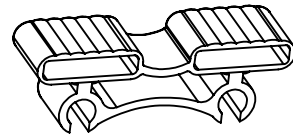




1

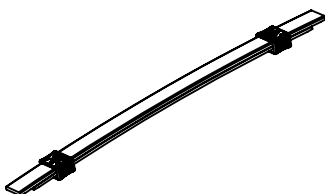
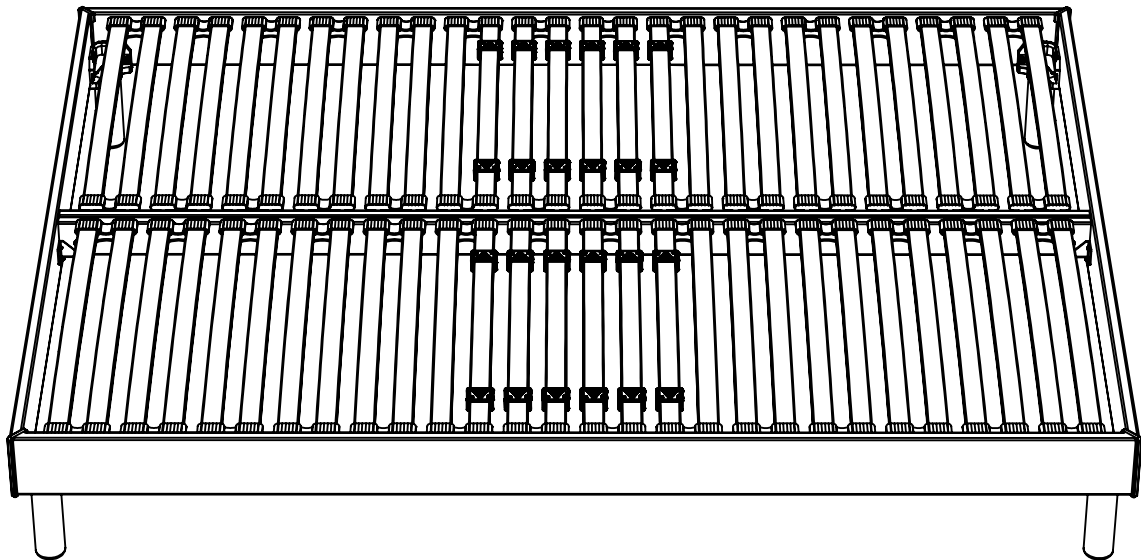


REF. D 48x

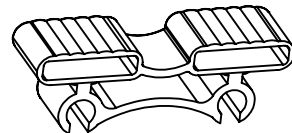


REF. I 26x

2



12x



REF. I 4x

