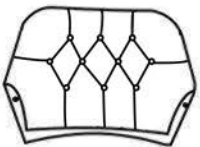
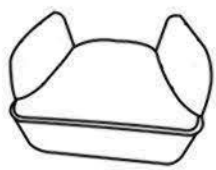


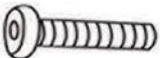
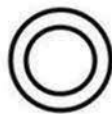

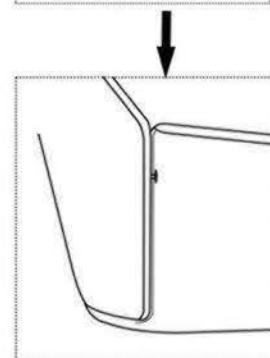
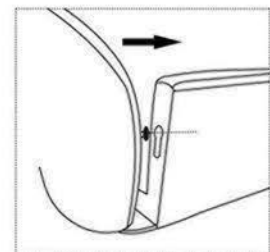
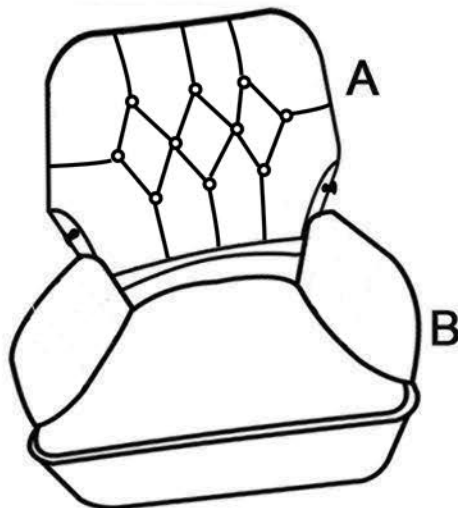


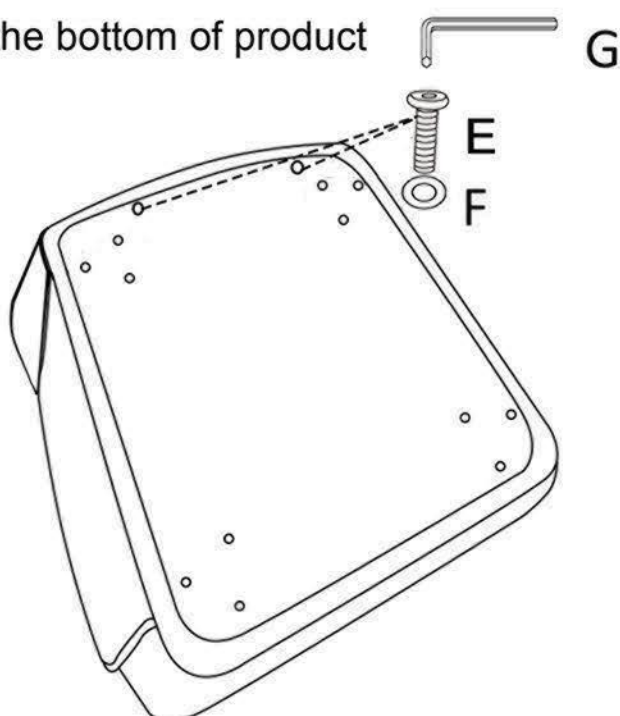
ASSEMBLY INSTRUCTION

Ax1 	Bx1 	Cx4 	Dx12  M6X18mm	Ex2  M6X50mm
Fx2 	Gx1 			

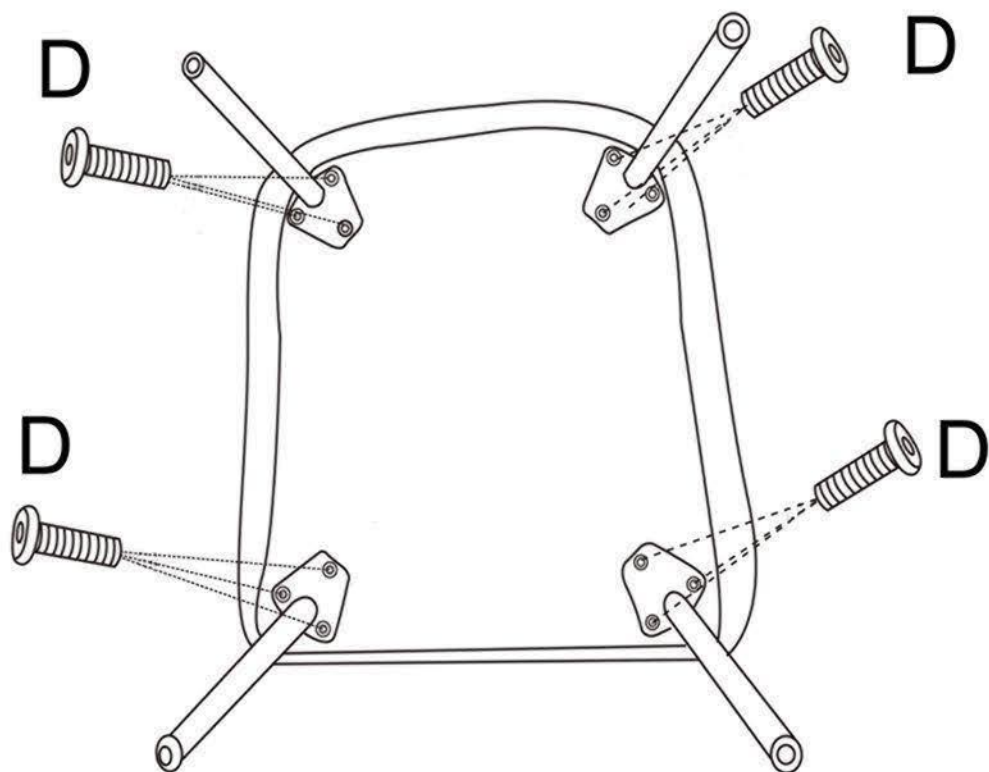
1. As shown in the figure, align the holes to install the backrest, buckle backrest on the seat base.



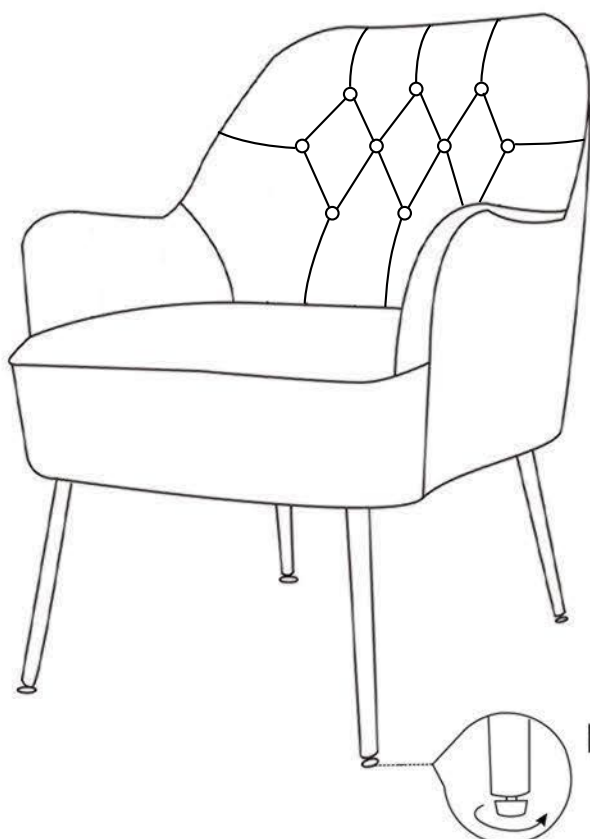
2. Flip up the bottom of product



3. As shown in the figure, Please do not tighten all the screws at once until all the screws are in and then tighten them all.



4.FINISH!



Please level me

