

68.00 mm

126.01 mm

RECHARGEABLE

AUTO FOAMING SOAP DISPENSER

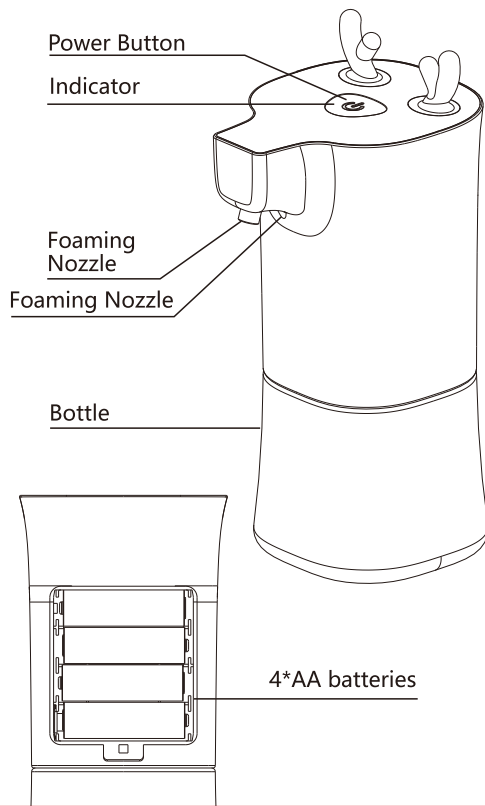
User Manual



Model:DAZ08

01、Product Description

Product Structure



02、Product Parameter

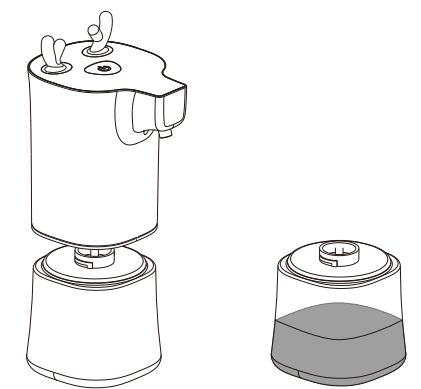
Product name: Auto-induction Alcohol Sprayer
 Product model: DAZ08
 Main Material: PP
 Rated Voltage: 6V
 Battery Type: 4*AA batteries(not included)
 Operating temperature: 5-40°C
 Working humidity: 0%-85% RH
 Product Shape: Deer
 Net weight: 195g
 Gross weight: 279g
 Capacity: 350ml
 Product size: 107*83*206mm
 Color box packaging: 107*83*230mm

Status	Indicator Light Display
Power on	The light is on for one second
Power off	The light flashes then goes out
Low battery	After induction, the lamp keeps flashing

Tips:
 When the machine is on, the machine can be shut down by touching the key. When the hand washing machine does not work, it will automatically enter the standby state without manual shutdown.

03、Function And Usage

1. Touch the switch and turn on the Alcohol Sprayer.
2. It is recommended to rinse your hands until wet before using.
3. Stretch your hand to the induction area to obtain alcohol.
4. 70% of alcohol of alcohol is recommended.
5. It is recommended to rub your hands thoroughly.
6. After washing with clean water, dry your hands.



① Open the bottle
 ② Fill with suitable liquid soap



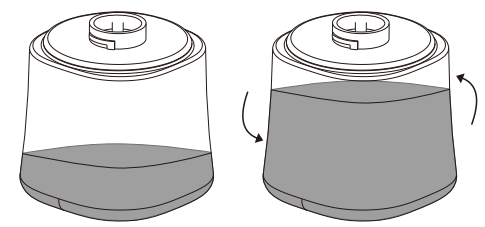
③ Click the power button to turn on the dispenser

④ Put your hand under the sensor area and get your soap forming

▲ Notes: Do not keep your hand under the sensor area for a long time, or take anything to cover the sensor area, these will lead to a none foaming of the dispenser

04、How To Modulate The Liquid Soap

This dispenser is compatible with mostly liquid soap, like handwashing fluid, dishwashing liquid, facial cleanser ect. You can pour in 3:1 liquid soap and 3:2 water and shake the bottle for a while, then you can use the dispenser to make your foaming.



Fluid 3:1
 Water 3:2
 Shake the bottle

Notes:

1. Do not immerse the product in water or rinse it directly with water to avoid short circuit.
2. Do not tilt the bottle when installing or replacing the alcohol. If there is a small amount of alcohol outflow is a normal phenomenon, wipe cleanly can still be used normally.
3. Store in a cool place away from direct sunlight or heat sources.