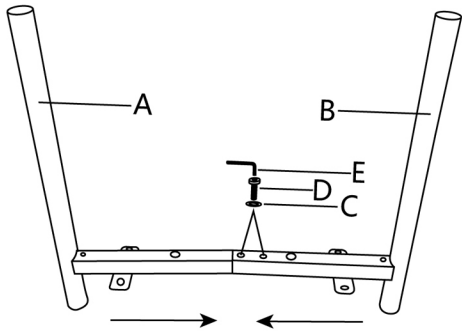
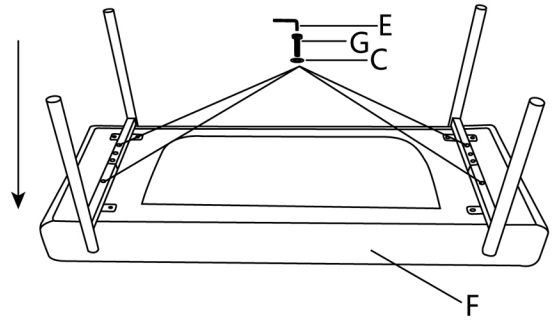


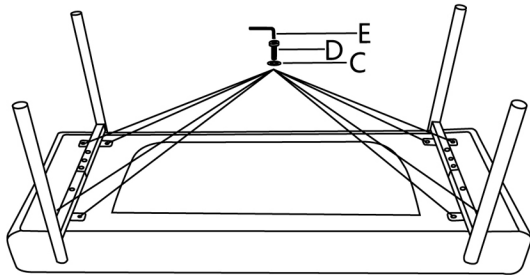
1



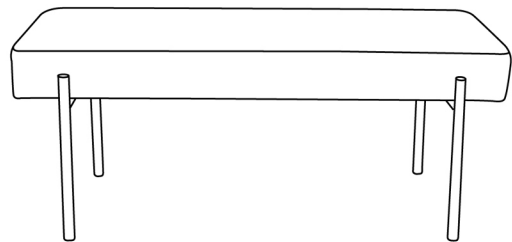
2



3



4



A × 1



B × 1



C × 16



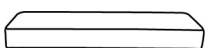
D × 12



E × 1



F × 1



G × 4

