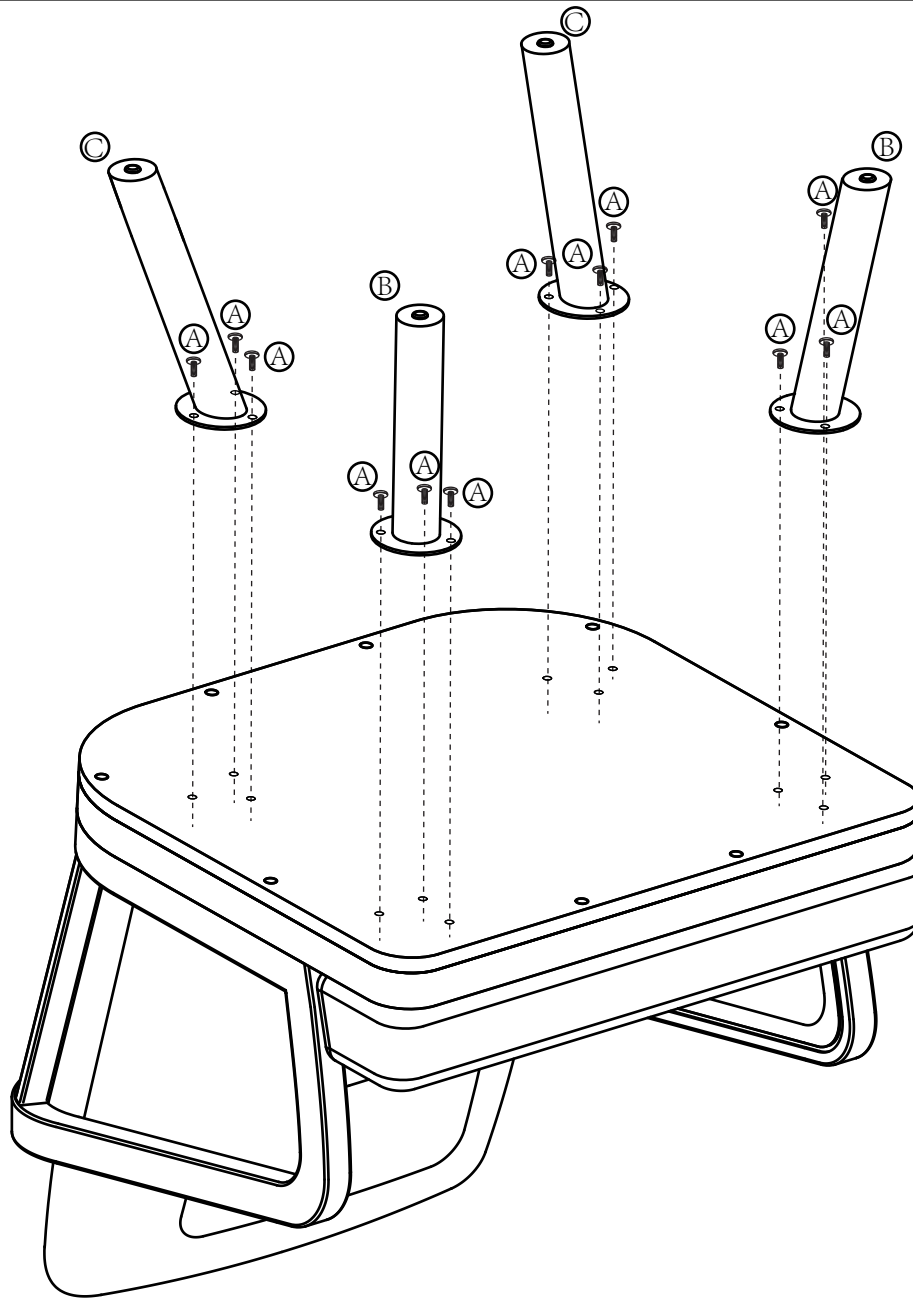
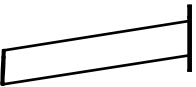


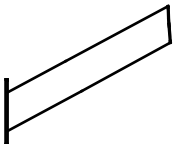
COMPONENT PARTS

FITTINGS



Ⓐ  ×12
(M6×20mm)

Ⓑ  ×2

Ⓒ  ×2

COMPONENT CHECKLIST

PART	No.	Qty.	
Seat	01	1	<input type="checkbox"/>

TOOLS REQUIRED



Allen key (supplied)