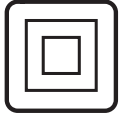
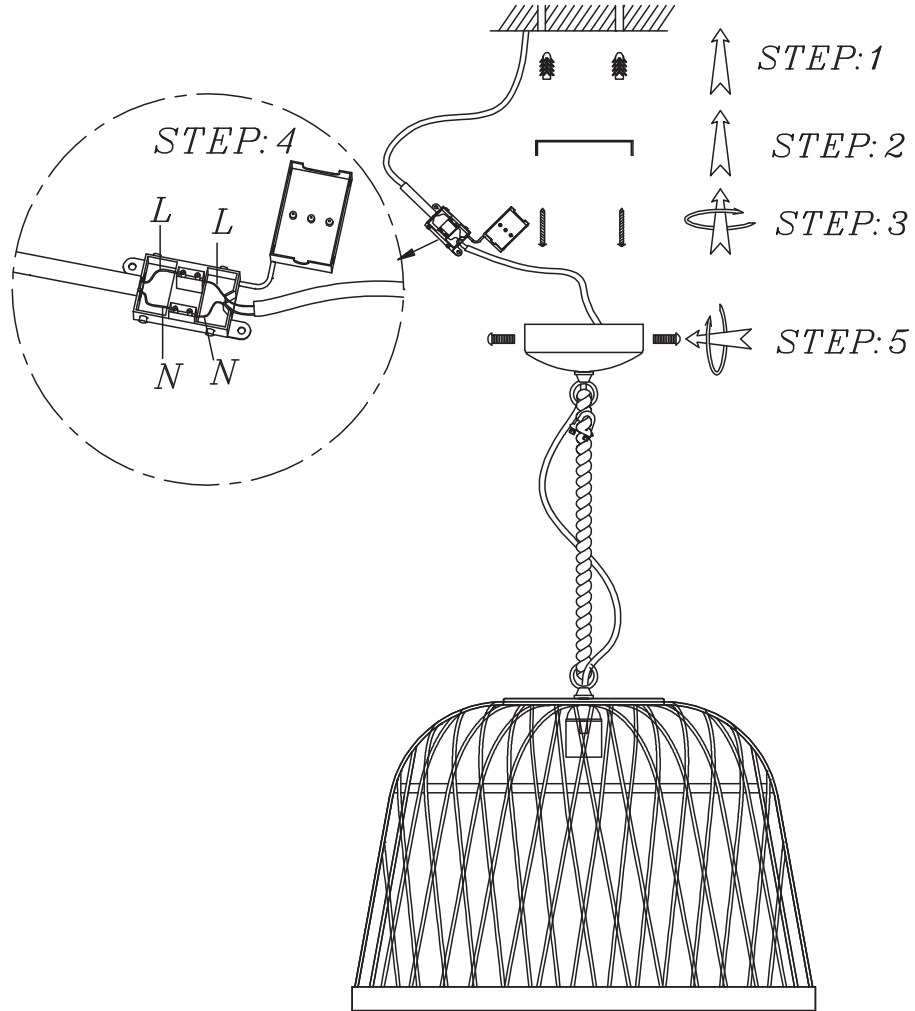
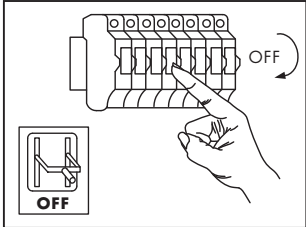




# INSTRUCTION MANUAL



## Calamus HL Rotan 98416



  
*STEP: 6*   
*NOT INCLUDED*

