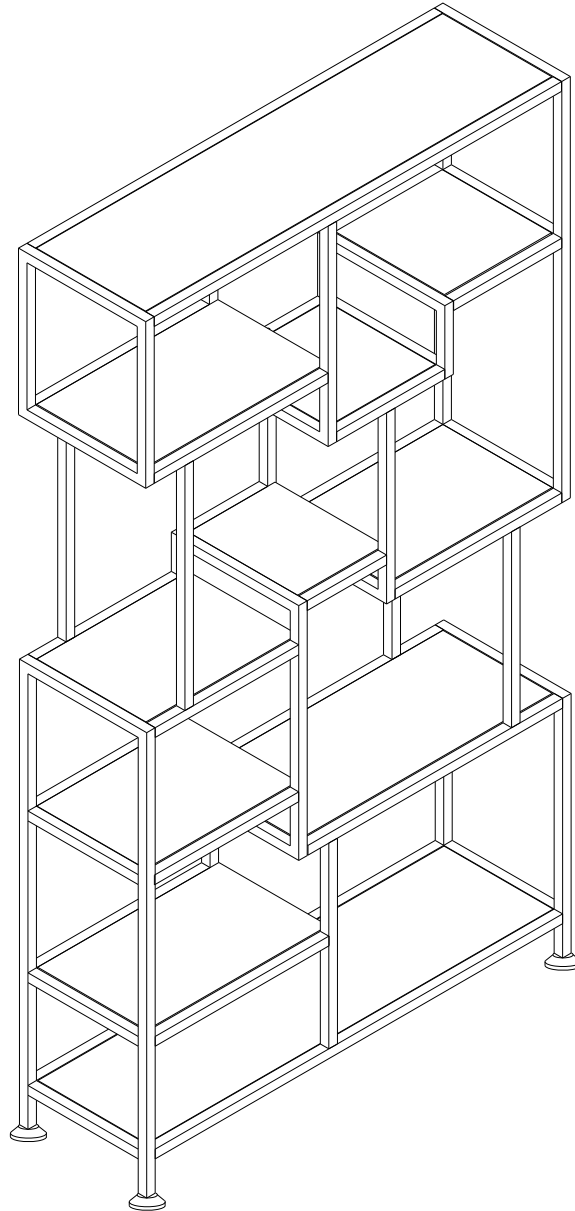


Tribesigns
Way to origin

Assembly Instructions



Model No. NY110

Storage rack

Call us!

We're here to help!

If you have any issues with this product, please contact our customer service team before returning it.



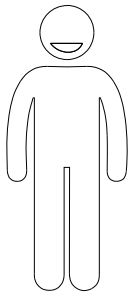
We want you to be completely satisfied with your purchase! If anything is missing, damaged, incorrect, or not what you expected, don't worry. Please keep the outer packaging and take photos of both the packaging and products, and then reach out to us at support@tribesigns.com or call us at 1-424-220-6888. We'll take care of everything and send you a free replacement, so you can enjoy your purchase as soon as possible without any hassle.

Assembly Instructions:

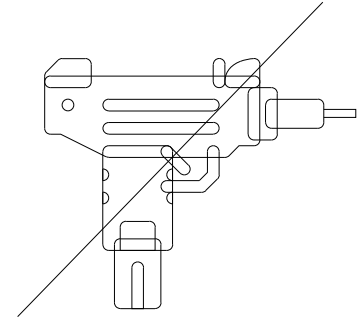
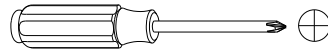
1. Carefully read these instructions and keep them for future reference.
2. Refer to the parts list for guidance and ensure that you have all the pieces before starting the assembly process, if anything is missing, damaged, incorrect, contact us **FIRSTLY BEFORE** assembling.
3. When assembling, place all parts on a soft, clean, and flat surface, such as a carpet, to prevent any scratches.
4. To avoid misalignment of the holes, Please don't full tighten the screws until you ensure all parts in place.

Follow Tribesign:

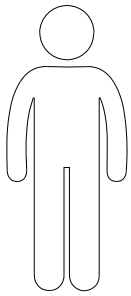




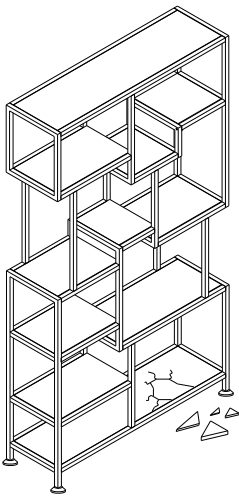
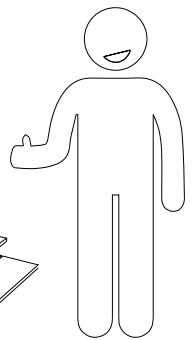
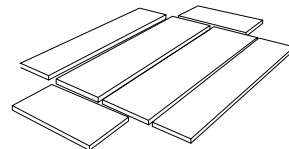
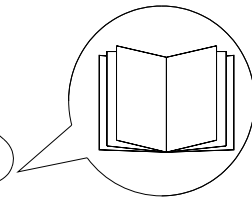
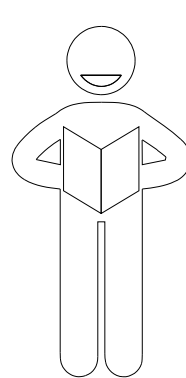
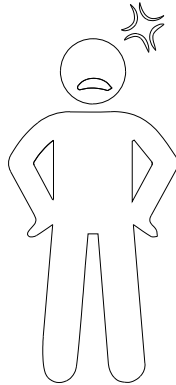
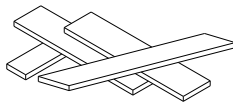
X2



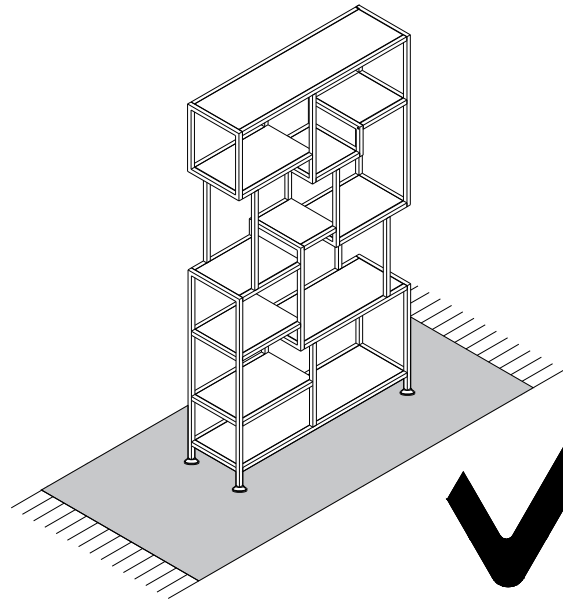
When using the electric screwdriver ,
Reduce the power and torque to avoid damaging the furniture



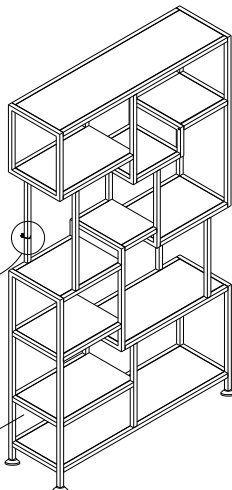
?



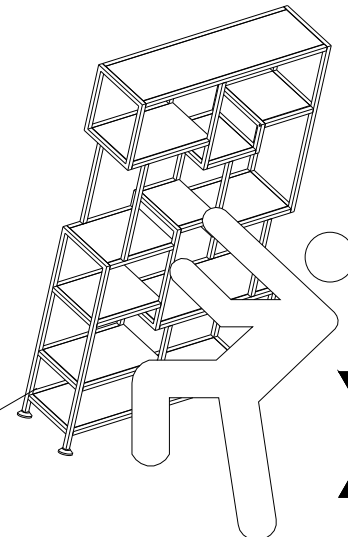
X



✓

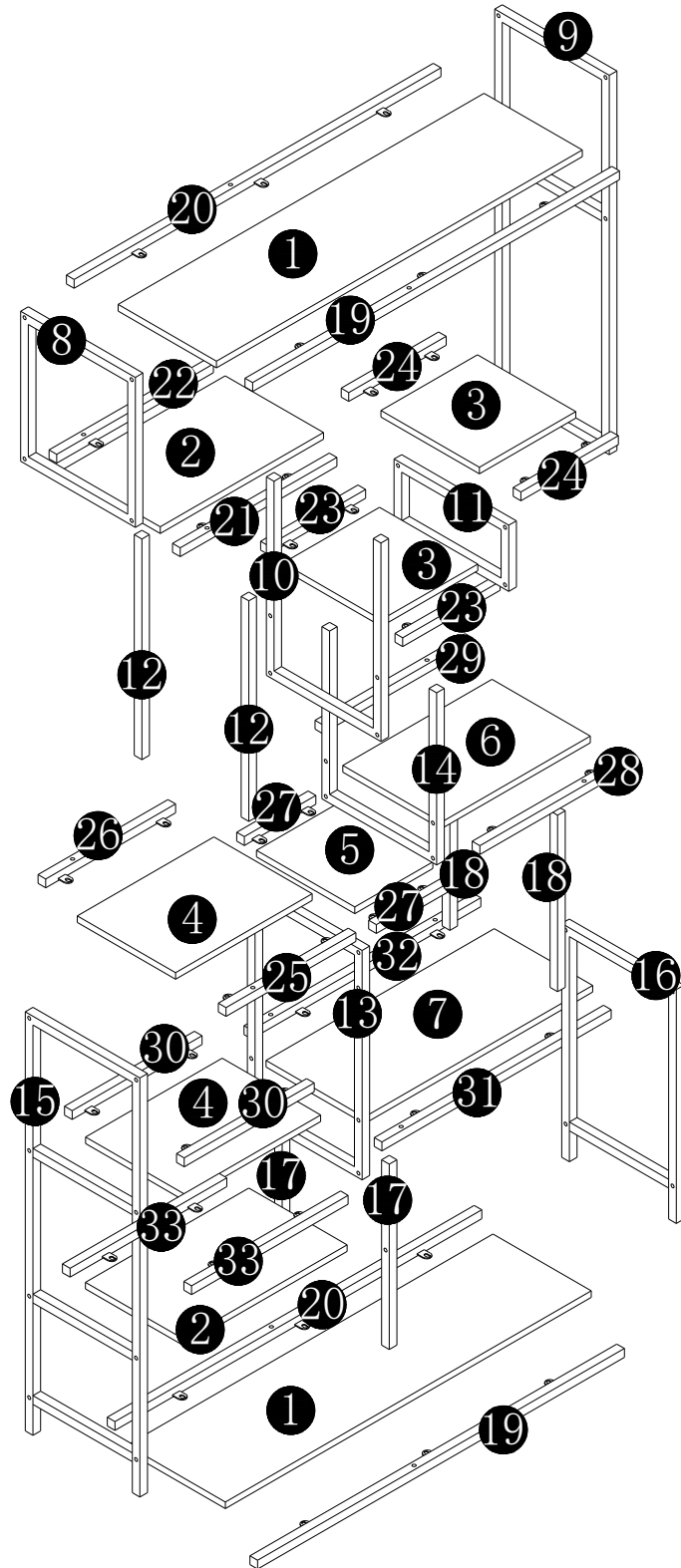


✓



X

(Install tip-over restraint provided)
Use of tip-over restraints may only reduce but not eliminate,
the risk of tip-over.



⚠ Caution

Make sure all parts are included. Most board parts are labeled or stamped on the raw edge. Contact us for free replacement if having damaged or missing parts.

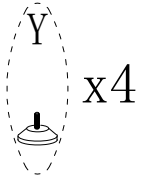
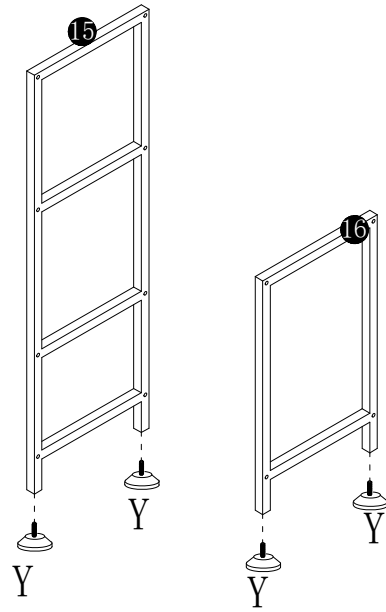
Parts & Hardware List

 1 2pcs	 2 2pcs	 3 2pcs	 4 2pcs	 5 1pc		
 6 1pc	 7 1pc	 8 1pc	 9 1pc	 10 1pc		
 11 1pc	 12 2pcs	 13 1pc	 14 1pc	 15 1pc	 16 1pc	
 17 2pcs	 18 2pcs	 19 2pcs		 20 2pcs		
 21 1pcs	 22 1pcs	 23 2pcs	 24 2pcs	 25 1pcs	 26 1pcs	 27 2pcs
 28 1pcs	 29 1pcs	 30 2pcs	 31 1pcs	 32 1pcs	 33 2pcs	

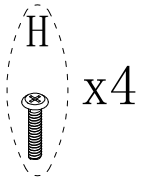
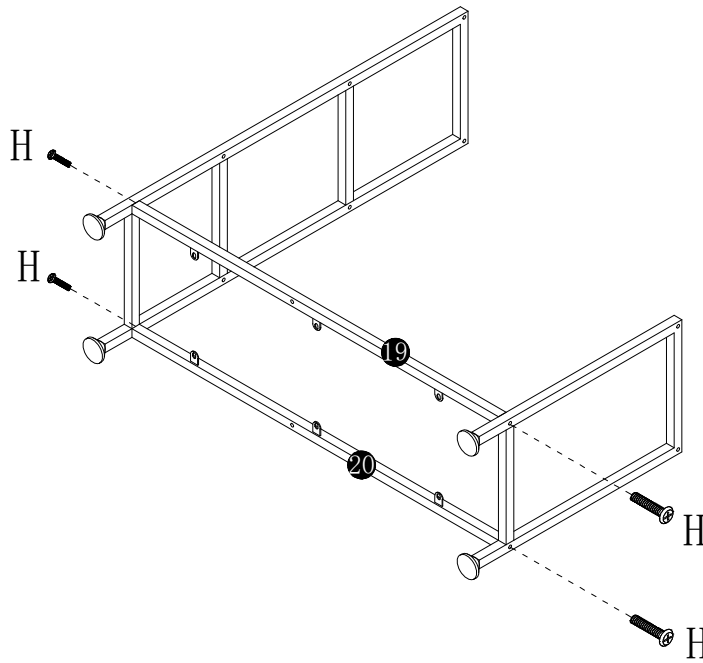
Parts & Hardware List

 H 60pcs	 N 48pcs	 Y 4pcs	 Z 2pcs	
----------------	----------------	---------------	---------------	--

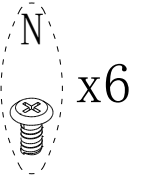
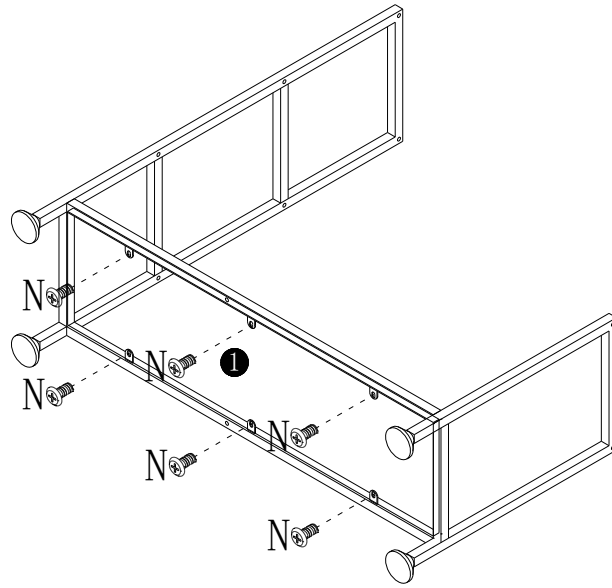
1



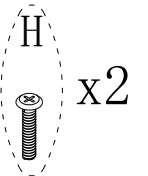
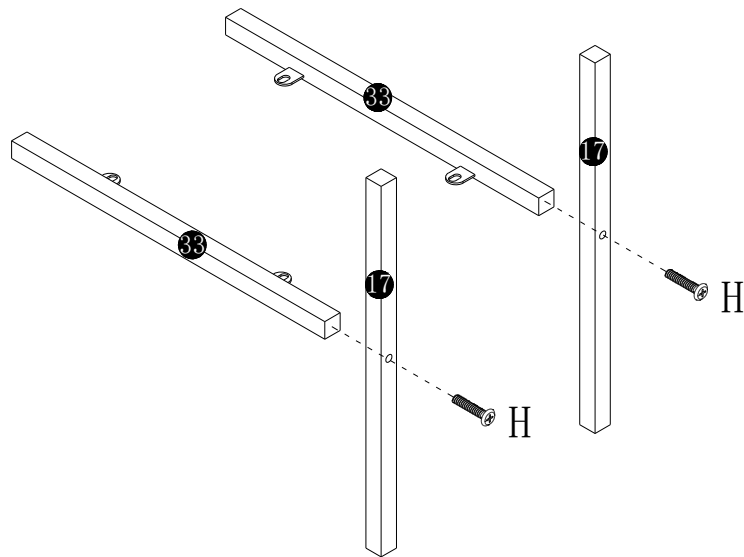
2



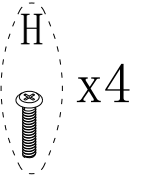
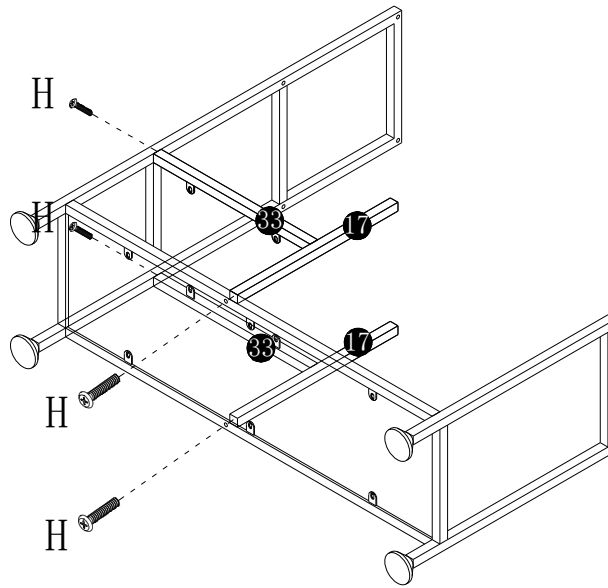
3



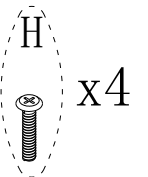
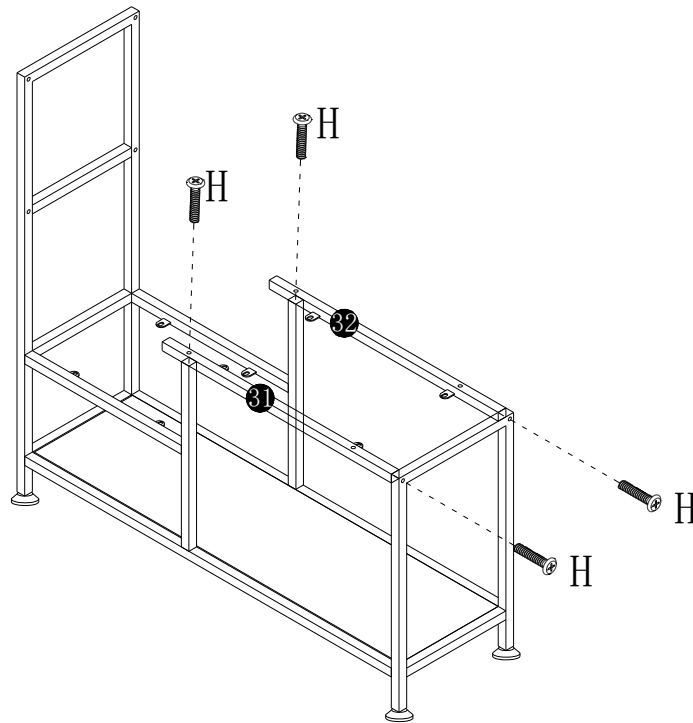
4



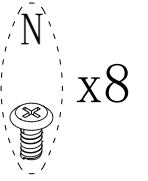
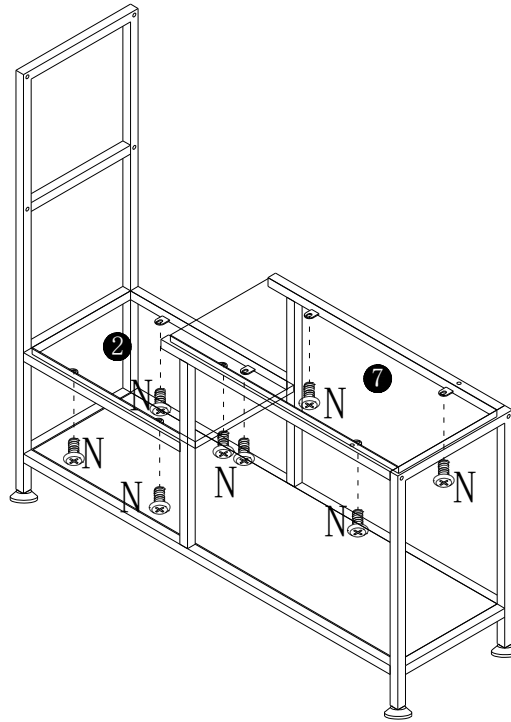
5



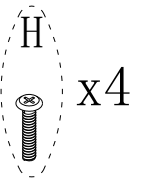
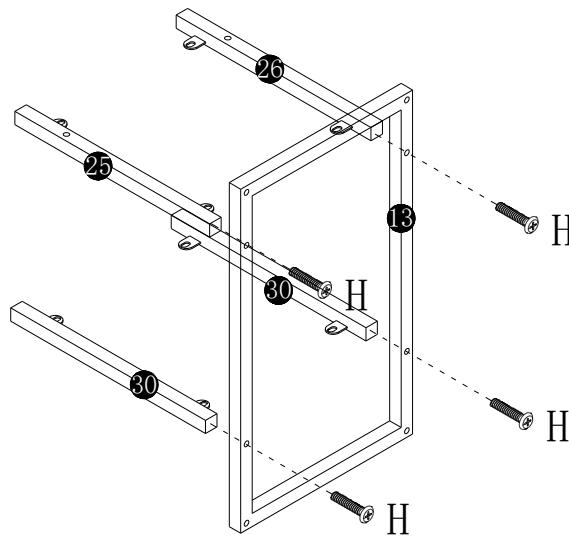
6



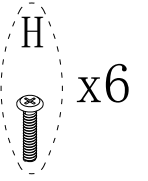
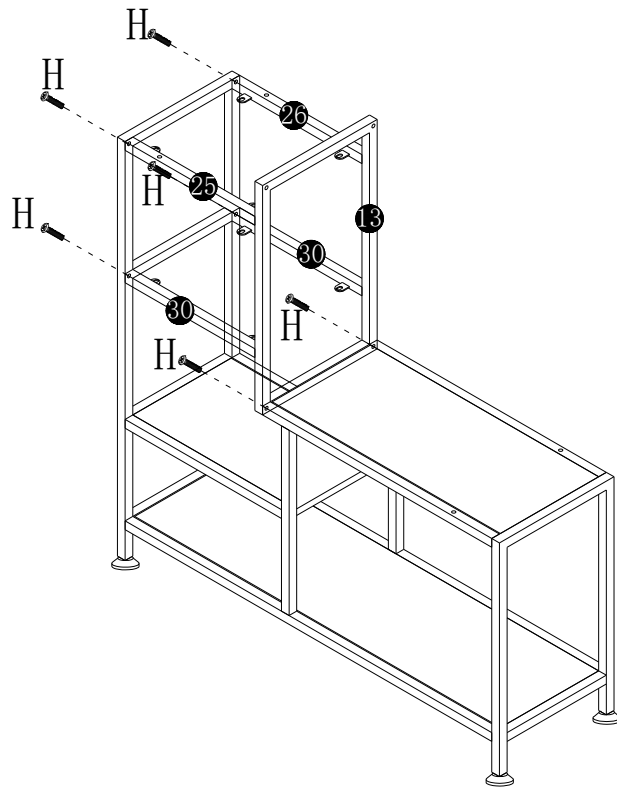
7



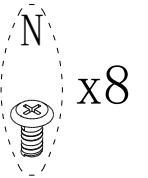
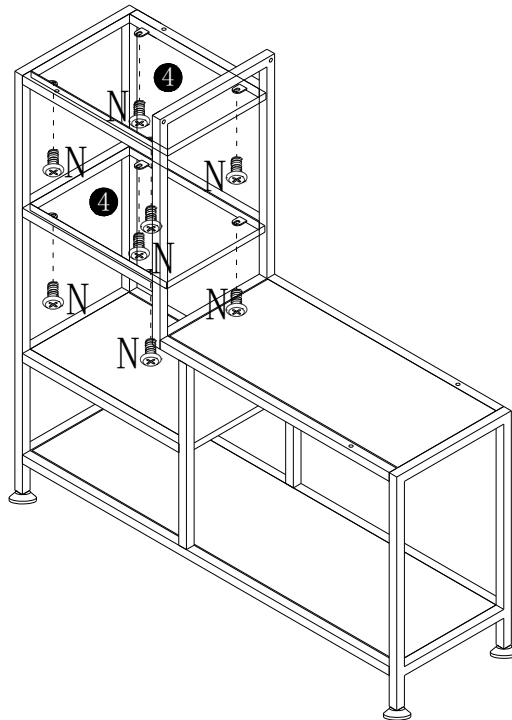
8



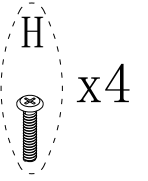
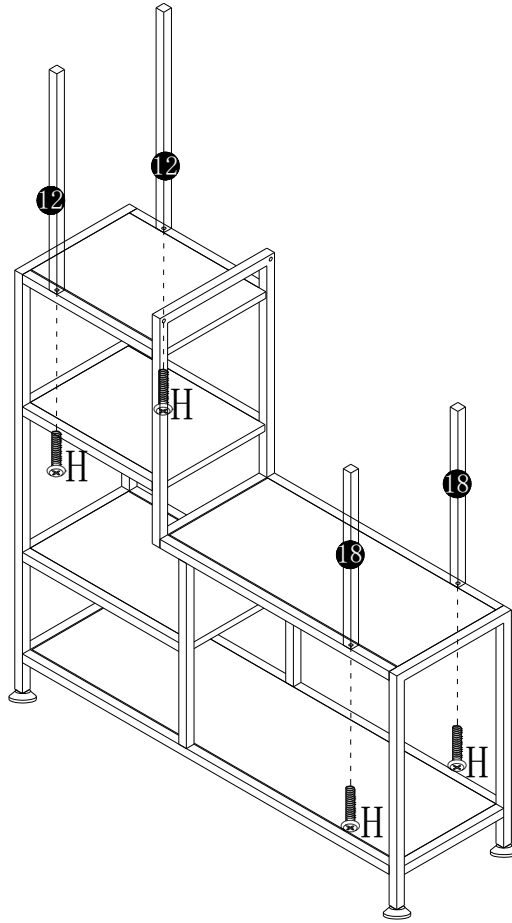
9



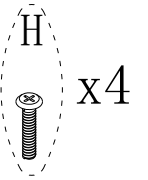
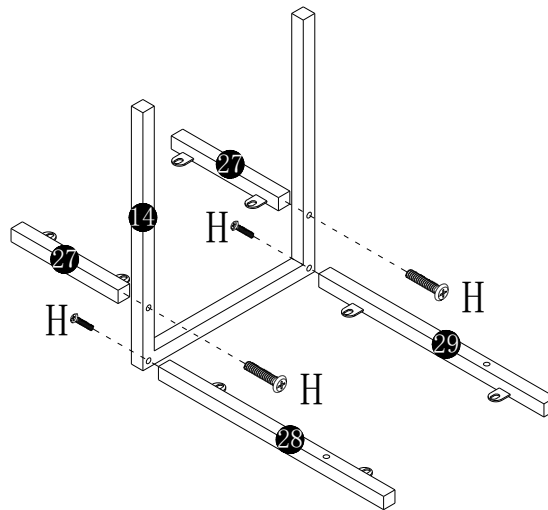
10



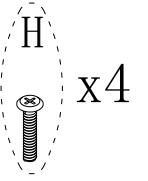
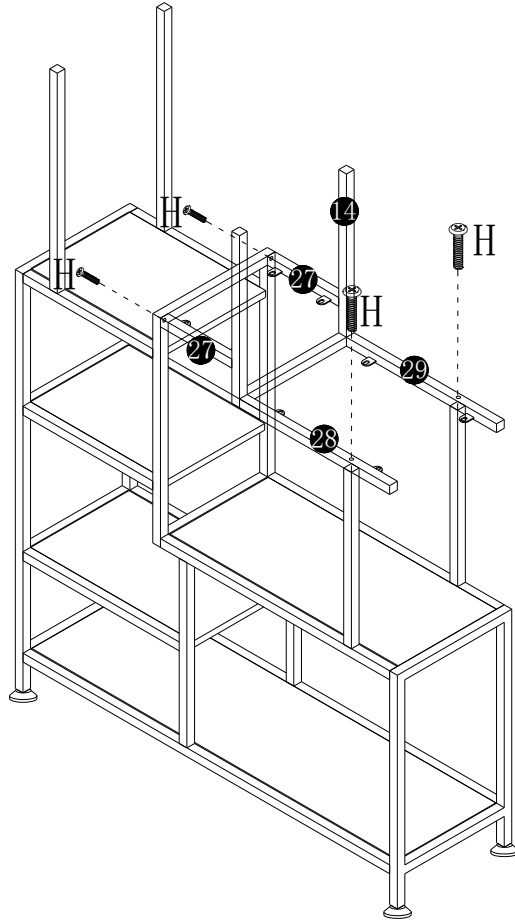
11



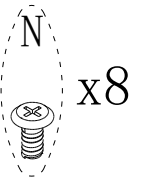
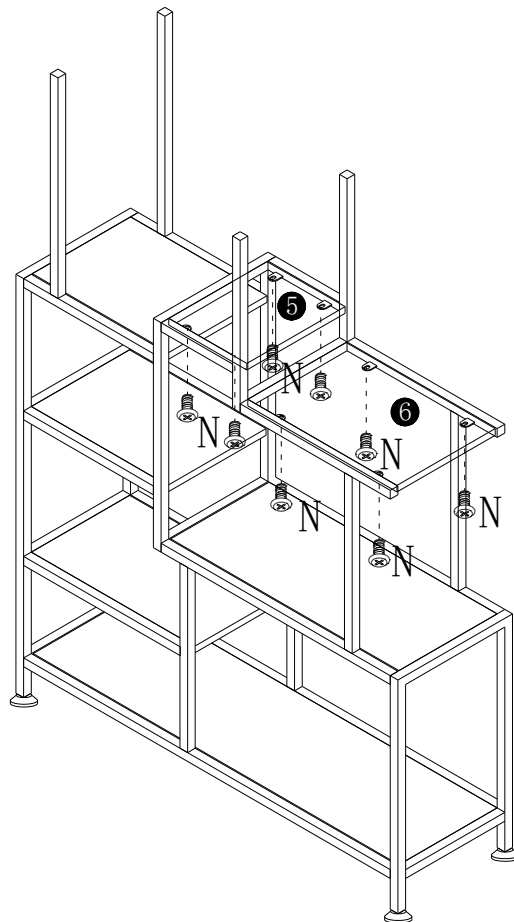
12



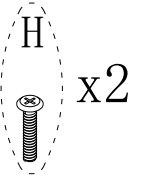
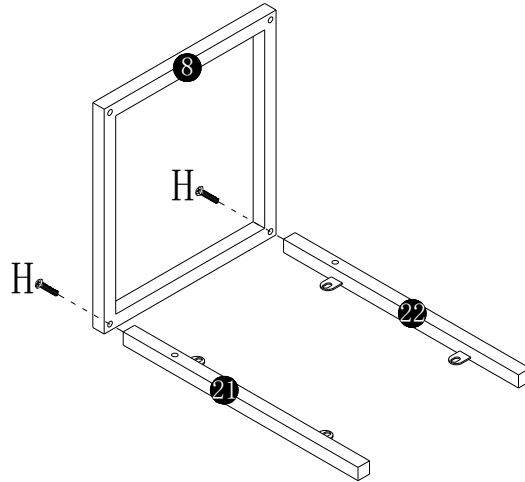
13



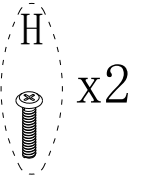
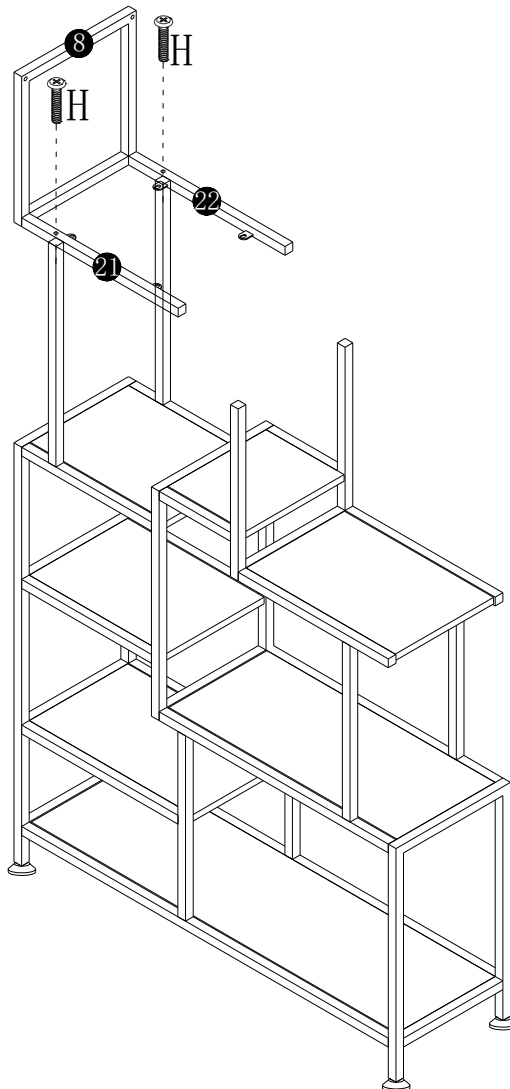
14



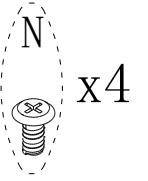
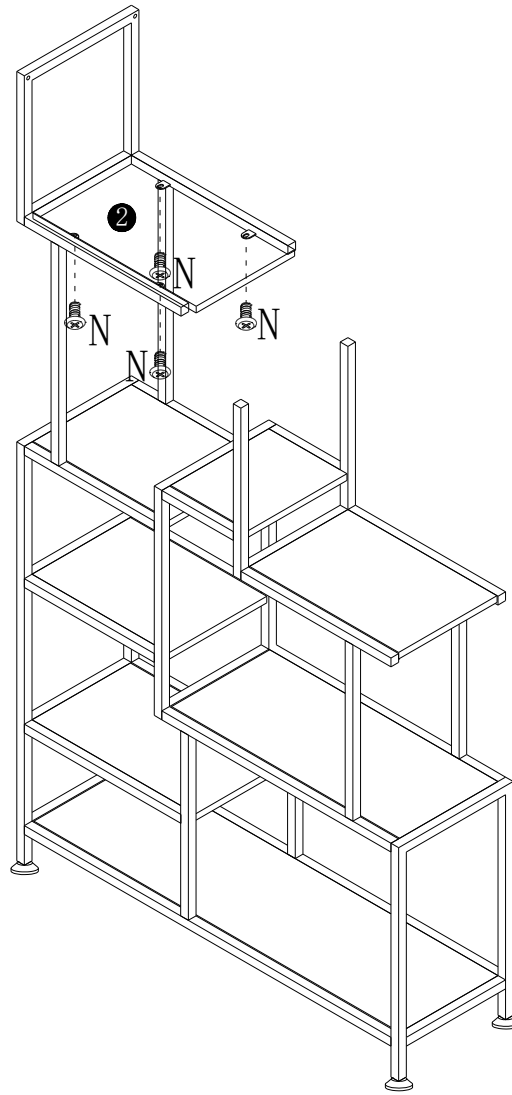
15



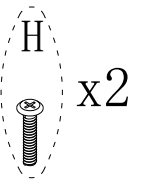
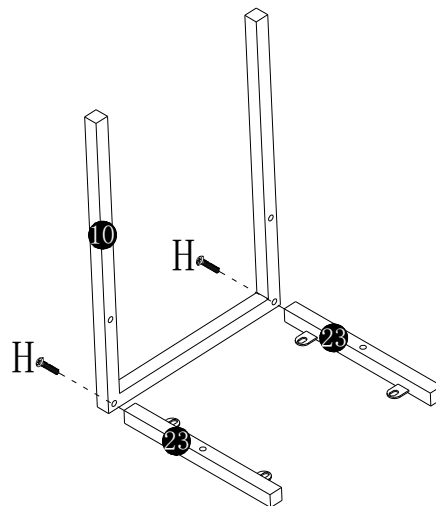
16



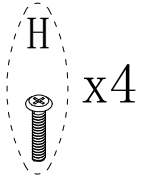
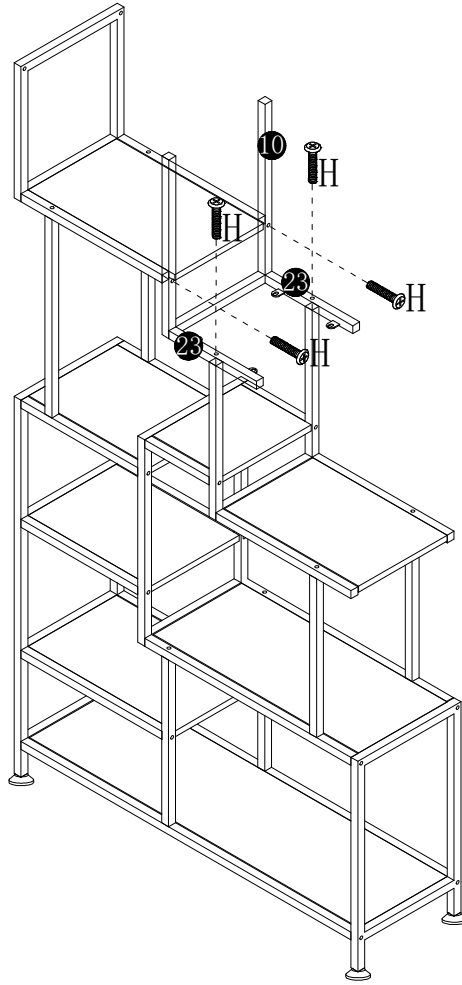
17



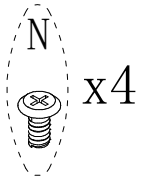
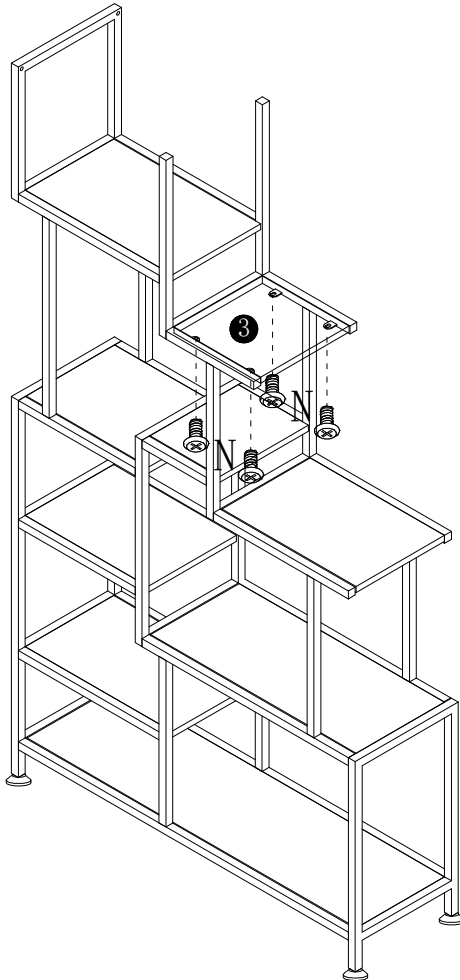
18



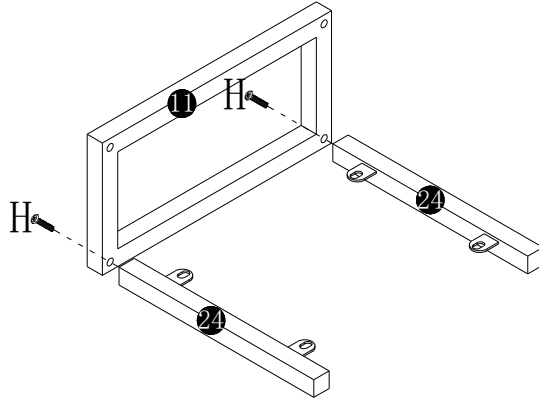
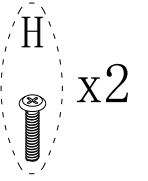
19



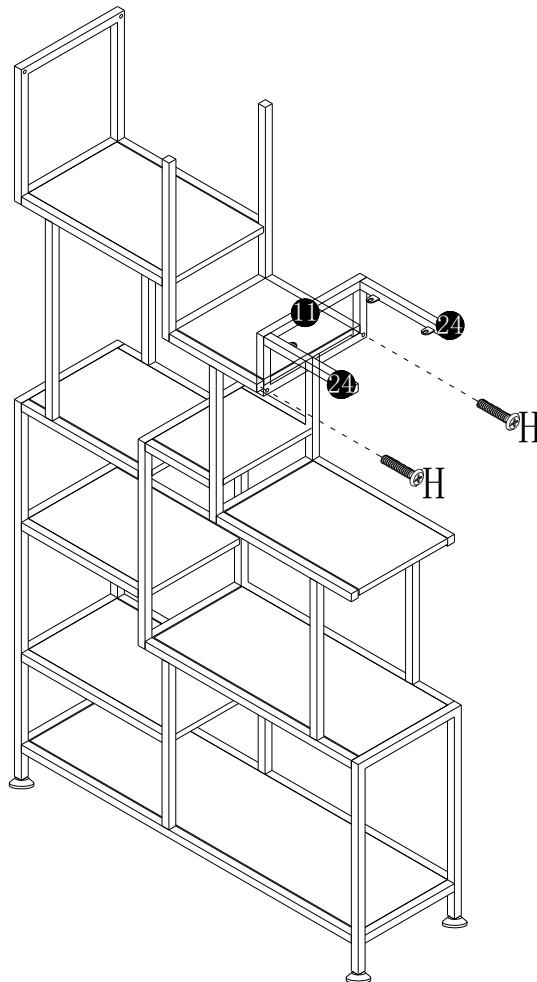
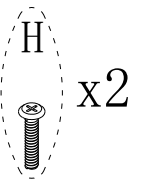
20



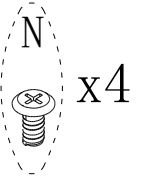
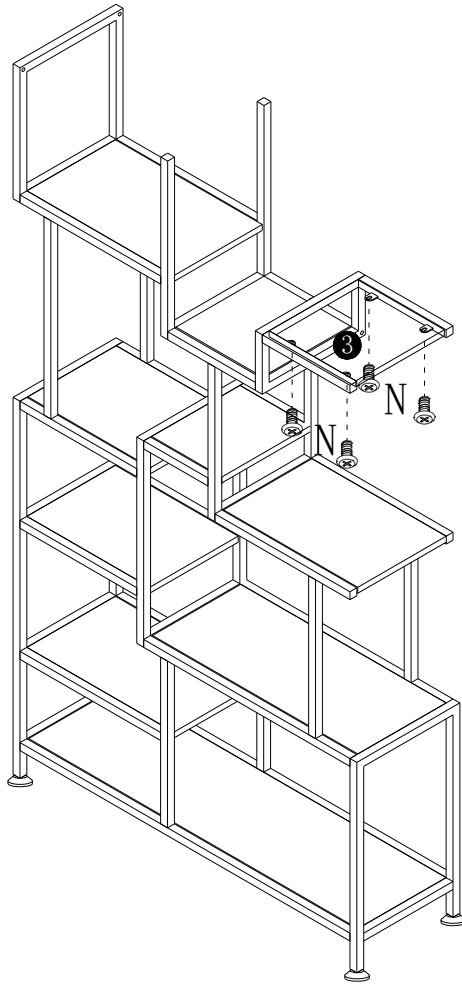
21



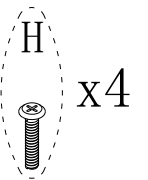
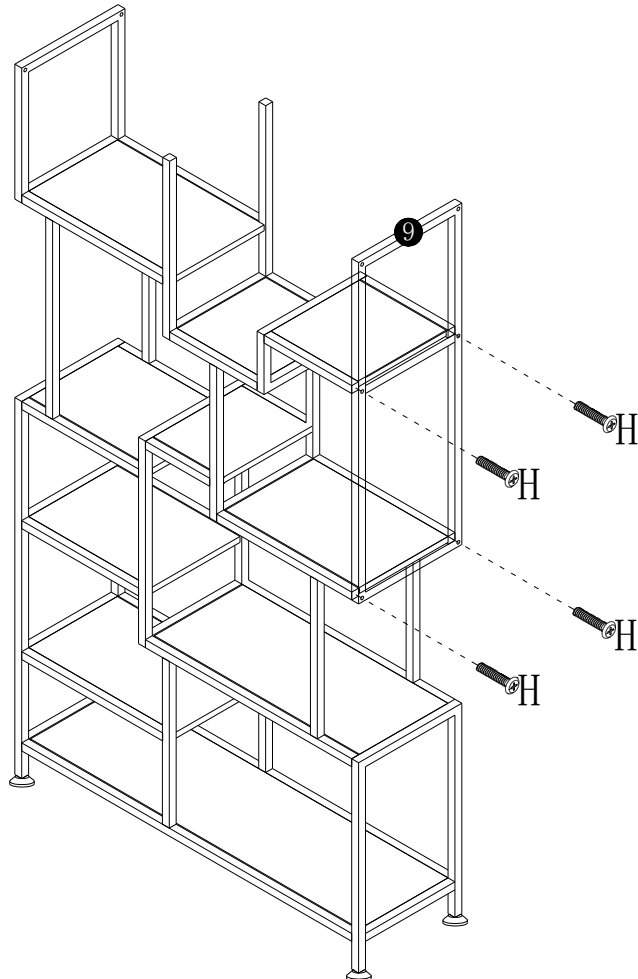
22



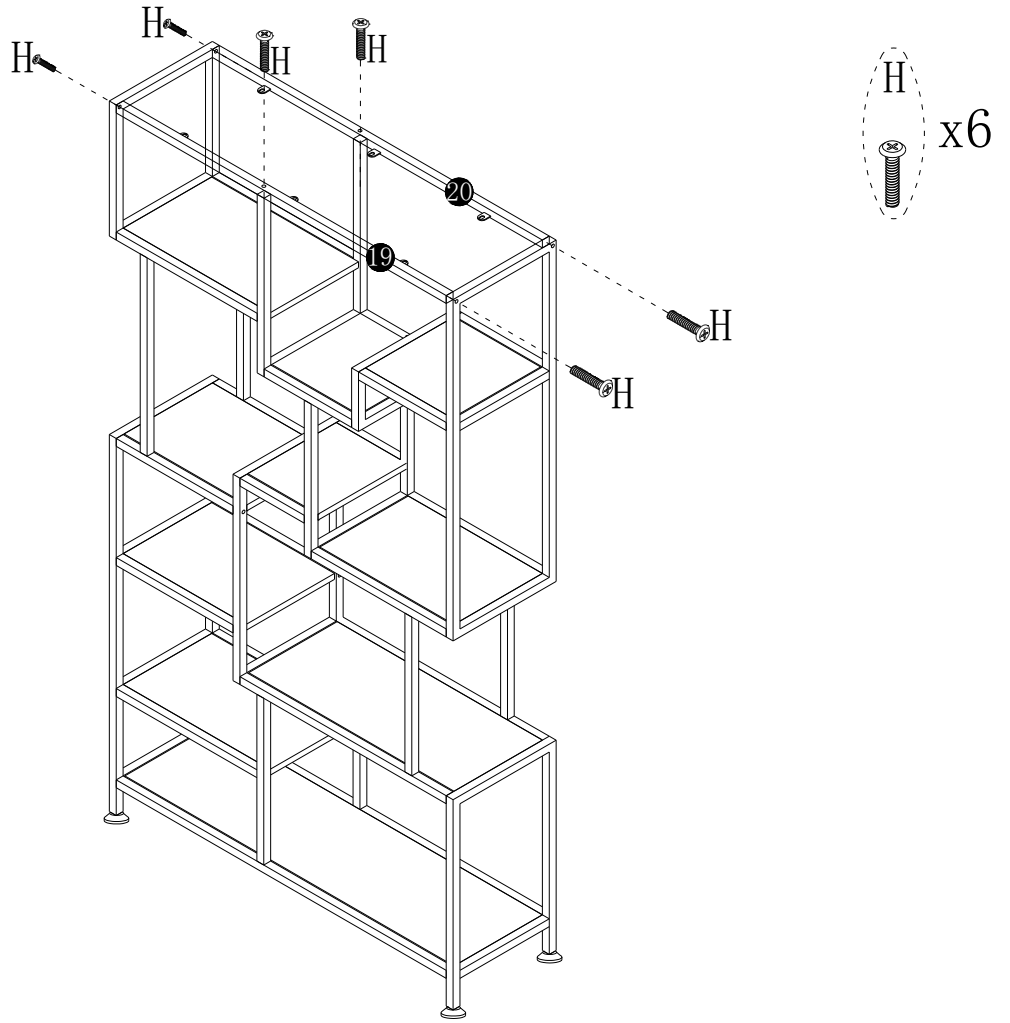
23



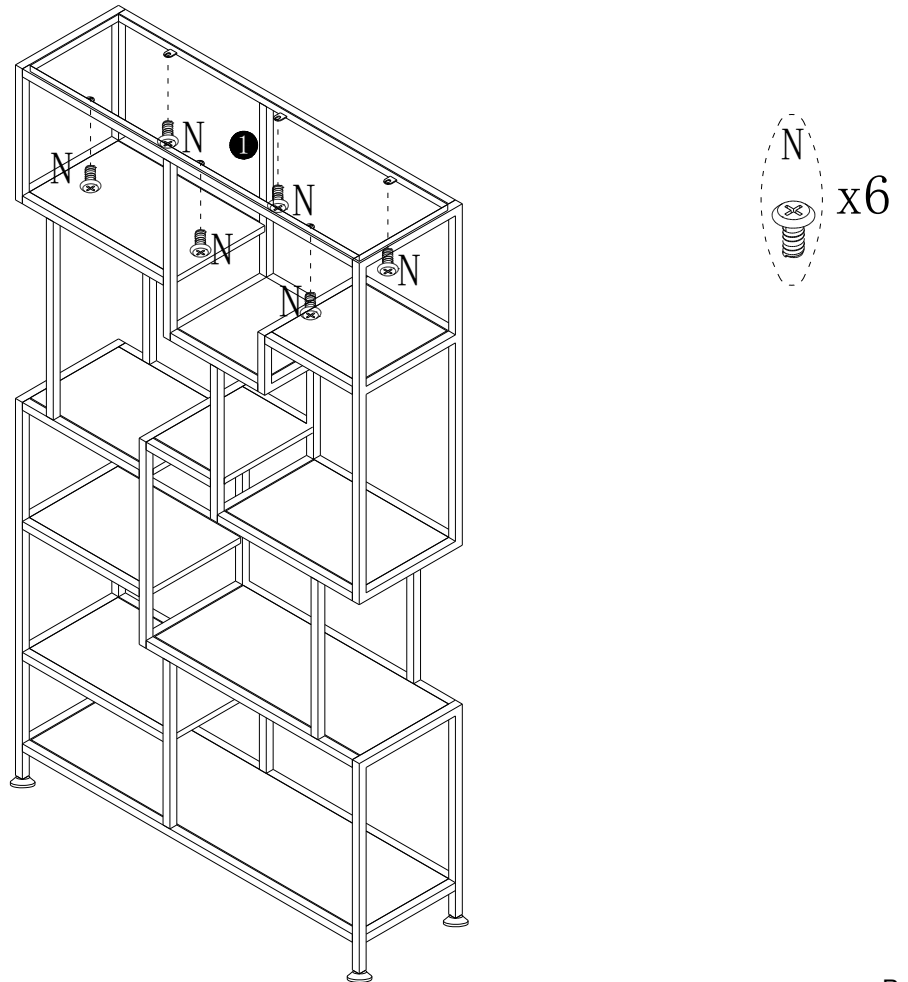
24



25

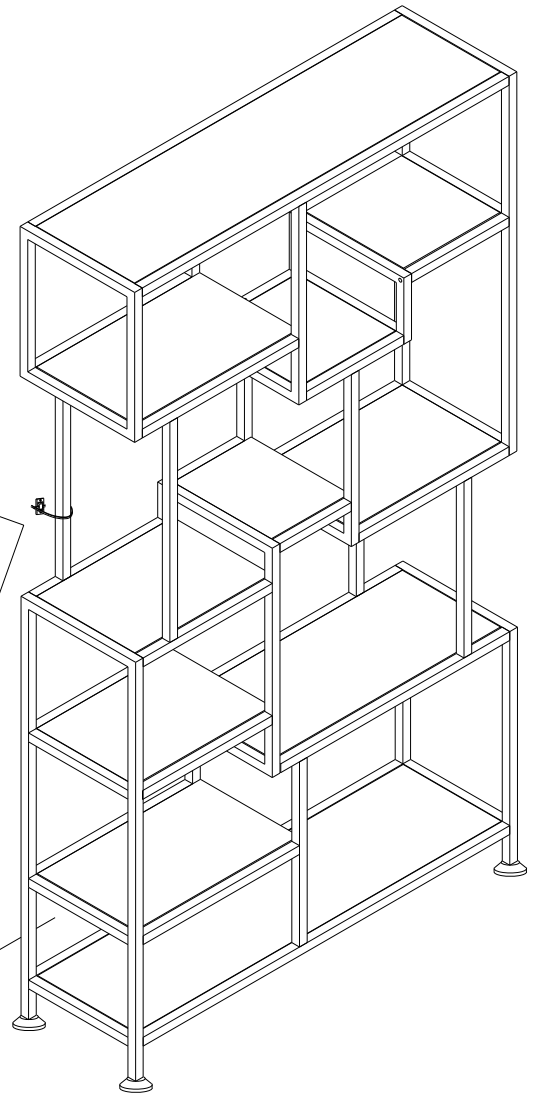
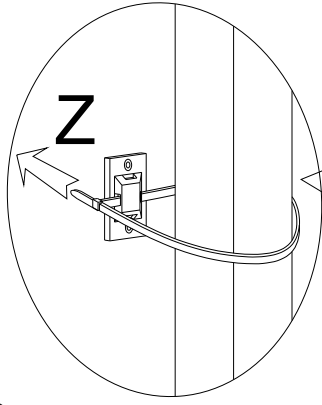
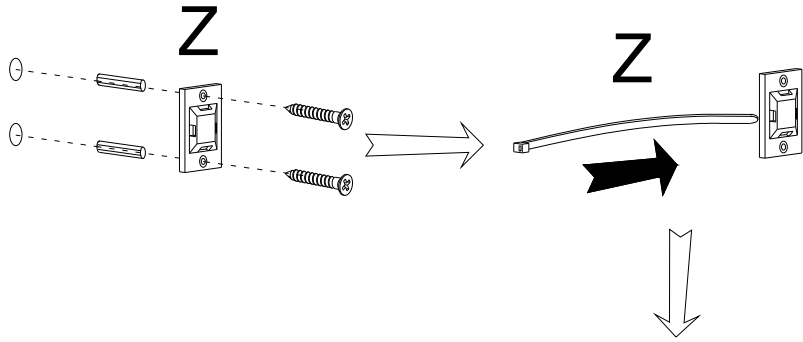


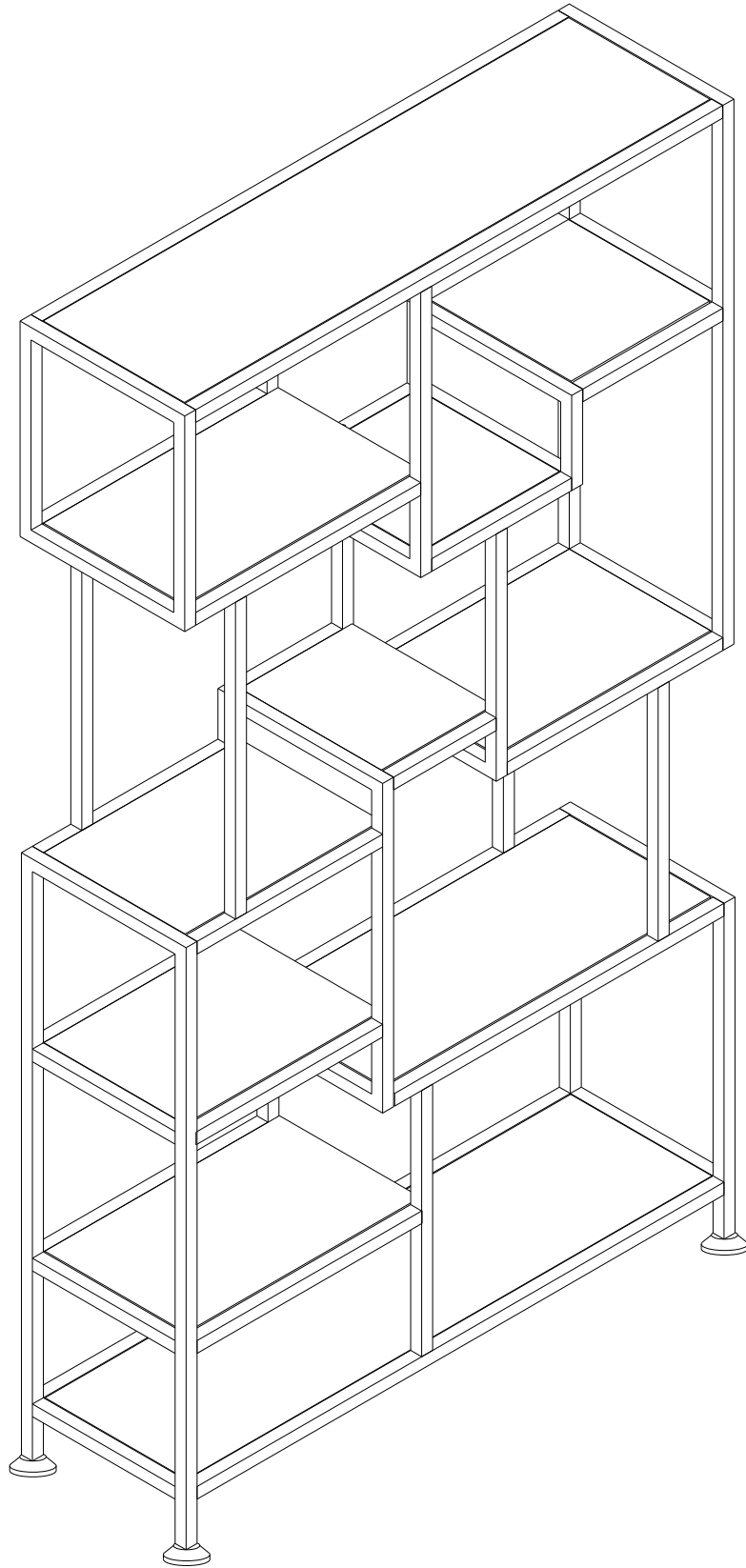
26



27

Z
x2





No heartburn, when we handle the return

Our way



support@tribesigns.com



Replacement/Refund



You

Their way



Re-package item



Schedule pick-up



Track package



Replacement



You

Contact our customer service team



support@tribesigns.com
www.tribesigns.com



1-424-220-6888