

English

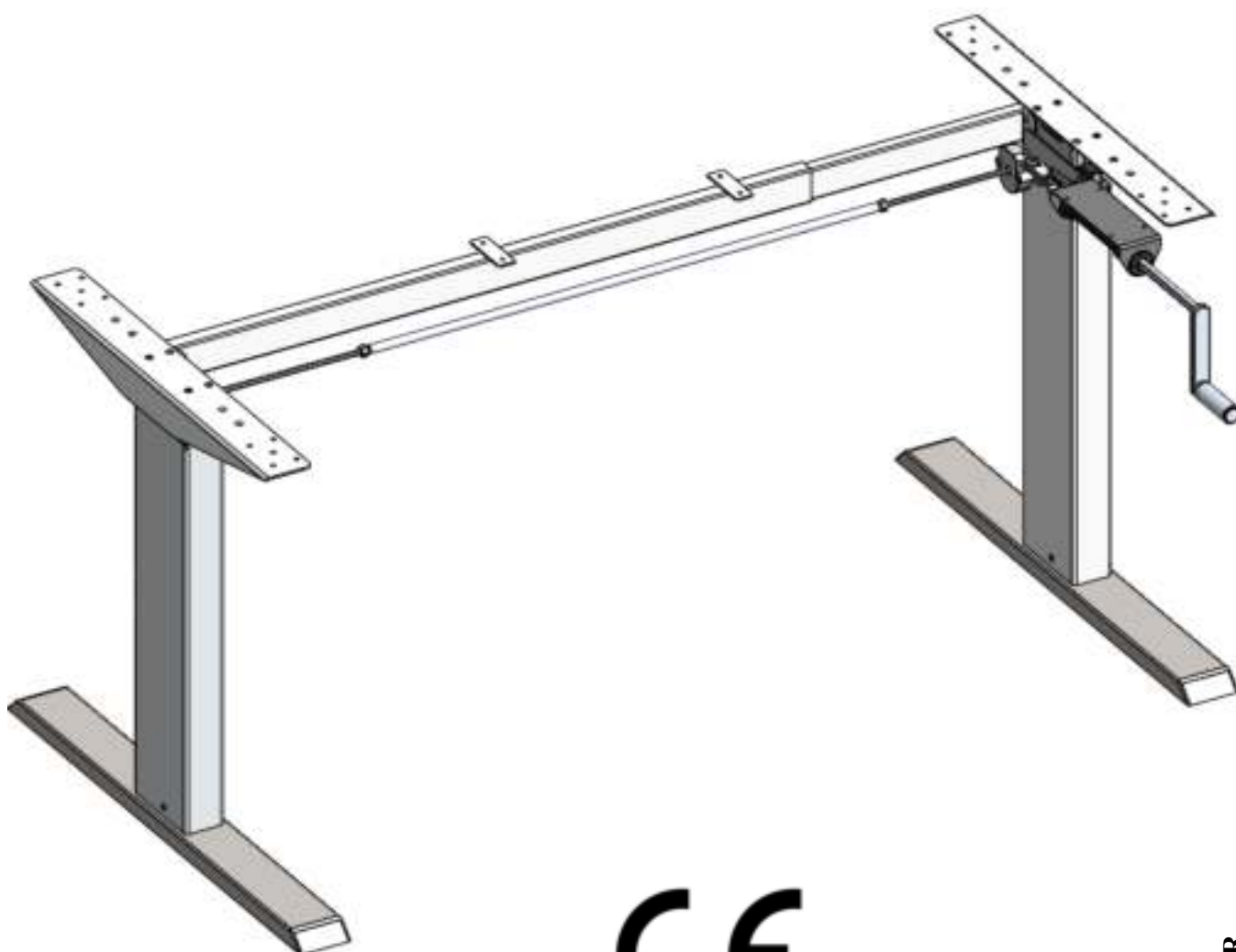
Deutsch

Nederlands

Français

# ***ALUFORCE PRO 140 CL Diecast HC***

Frame for a manually-adjustable workstation



**CE**

**Assembly Manual**

Read this manual thoroughly and store in a safe place!

P19302-2EN-DE-NL-FR

# Content

|          |  |           |
|----------|--|-----------|
| <b>1</b> | <b>GENERAL</b> .....                               | <b>3</b>  |
| 1.1      | Local value of the assembly/operating manual ..... | 3         |
| 1.2      | Intended use .....                                 | 3         |
| 1.3      | Improper use.....                                  | 3         |
| 1.4      | Content box.....                                   | 4         |
| <b>2</b> | <b>SAFETY INFORMATION</b> .....                    | <b>5</b>  |
| 2.1      | Symbols/warnings.....                              | 5         |
| 2.2      | Symbols used on the workstation frame .....        | 5         |
| 2.3      | Organizational measures .....                      | 5         |
| 2.4      | Informal safety measures .....                     | 5         |
| 2.5      | Note for those assembling the workstation .....    | 5         |
| 2.6      | Transport and assembly.....                        | 5         |
| 2.7      | Use of the workstation frame.....                  | 6         |
| 2.8      | Specific dangers .....                             | 6         |
| 2.9      | In an emergency.....                               | 6         |
| 2.10     | Maintenance and upkeep .....                       | 6         |
| 2.11     | Cleaning.....                                      | 6         |
| 2.12     | Persistent risks.....                              | 6         |
| <b>3</b> | <b>ASSEMBLY</b> .....                              | <b>7</b>  |
| 3.1      | Checking the items supplied .....                  | 7         |
| 3.2      | Packaging .....                                    | 7         |
| 3.3      | Tightening torques for screws used.....            | 7         |
| 3.4      | Assembly of the workstation.....                   | 7         |
| 3.4.1    | Pre-assembly of the Crossbar .....                 | 7         |
| 3.4.2    | Mounting the Crossbar .....                        | 8         |
| 3.4.3    | Mounting the Feet .....                            | 10        |
| 3.4.4    | Mounting the Hexagon Shaft .....                   | 12        |
| 3.4.5    | Mounting the Top Supports.....                     | 14        |
| 3.4.6    | Mounting the Hand Crank .....                      | 15        |
| 3.4.7    | Adjustment of the frame width.....                 | 17        |
| 3.4.8    | Frame test without tabletop .....                  | 18        |
| 3.4.9    | Assembly of the tabletop .....                     | 19        |
| <b>4</b> | <b>TECHNICAL SPECIFICATIONS</b> .....              | <b>20</b> |
| <b>5</b> | <b>OPERATION AND INDICATORS</b> .....              | <b>22</b> |
| 5.1      | Indicators .....                                   | 22        |
| <b>6</b> | <b>CUSTOMER SERVICE</b> .....                      | <b>23</b> |
| <b>7</b> | <b>MANUFACTURER</b> .....                          | <b>23</b> |
| <b>8</b> | <b>RECYCLING</b> .....                             | <b>23</b> |
| 8.1      | Taking the workstation apart .....                 | 23        |
| 8.2      | Recycling .....                                    | 23        |

# 1 General

## 1.1 Local value of the assembly/operating manual

The guiding principle for safe use and trouble-free operation of this workstation frame is knowledge of basic safety information and regulations. This assembly/operating manual contains the most important information needed for assembling and operating the workstation frame safely. This assembly/operating manual, in particular the safety information contained herein, must be observed by any person building the frame and working on the finished surface. More importantly, the rules and regulations applying to accident prevention in the locality in which the workstation frame is to be used must be observed at all times.

## 1.2 Intended use

The workstation frame must be used only as a manually height-adjustable workstation for sitting/standing use in offices or other enclosed areas. The frame must be used for this purpose only. Please observe the provisions of Section 2, Safety Information. Children may be unaware of the dangers presented by the workstation frame if unsupervised. Any other use than the above shall be deemed improper. The manufacturer can in no way be held liable for damage arising from improper use.

Intended use shall also include:

- Observation of all information from the assembly/operating manual and
- Prohibition of any sort of addition to/conversion of the workstation.

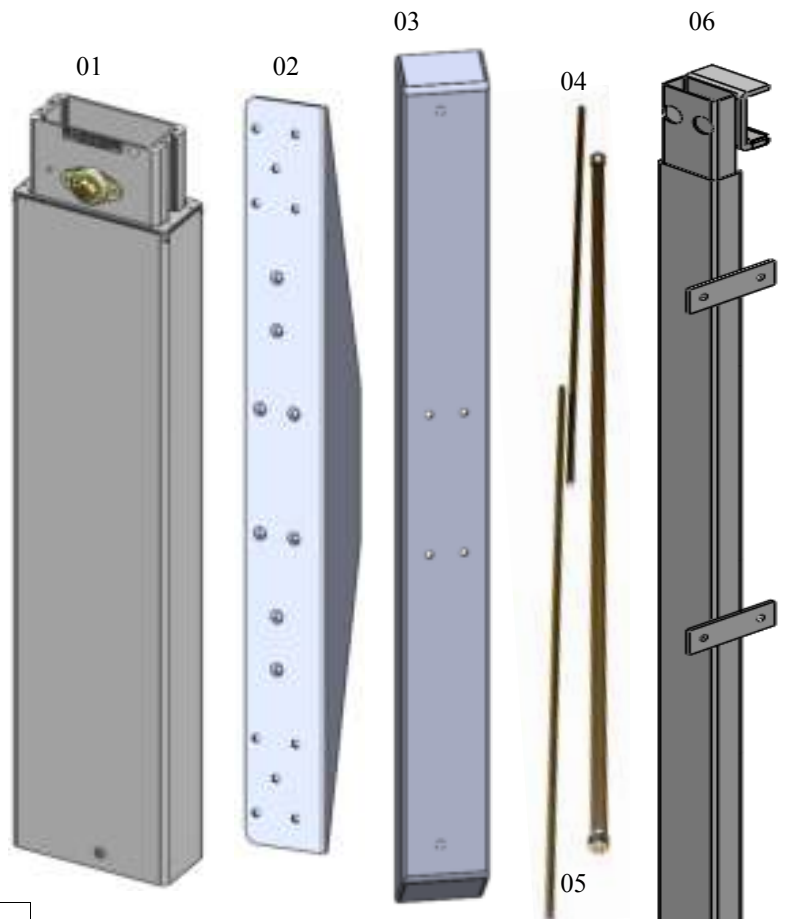
## 1.3 Improper use

- Never use the workstation frame to lift people or loads.
- Do not exceed the maximum load of the workstation frame (see Section 4, Technical Specifications).

**WARNING**      **Any changes or modifications not expressly approved by the manufacturer could void the user's authority to operate the equipment.**

## 1.4 Content box

| #  | Part name             | Qty |
|----|-----------------------|-----|
| 01 | Leg                   | 2   |
| 02 | Top support           | 2   |
| 03 | Foot                  | 2   |
| 04 | Hexagon shaft         | 2   |
| 05 | Axle Drive            | 1   |
| 06 | Crossbar              | 1   |
| 07 | L-Bracket             | 1   |
| 08 | Foot adjusters        | 4   |
| 09 | Tools                 | 1   |
| 10 | Mounting hardware kit | 1   |
| 11 | Hand crank assembly   | 1   |
| 12 | Gearbox               | 1   |



|      |   |     |                  |
|------|---|-----|------------------|
| 10.1 |  | 2x  | Set Screw M6x6   |
| 10.2 |  | 4x  | Set Screw M6x20  |
| 10.3 |  | 5x  | Flange Nut M6    |
| 10.4 |  | 8x  | Hex Bolt M6x25   |
| 10.5 |  | 9x  | Washer M6        |
| 10.6 |  | 1x  | Hex Bolt M6x16   |
| 10.7 |  | 9x  | CSK M5x25        |
| 10.8 |  | 28x | Chipboard 4.5x16 |



## 2 Safety Information

### 2.1 Symbols/warnings

The assembly/operating manual uses the following terms and signs to indicate dangers:



This symbol indicates an immediate threatening situation for any person's life or health. Failure to adhere to such information may have serious consequences for health, or could even result in life-threatening injury or death.



This symbol indicates important information. Failure to adhere to such information could lead to damage to the workstation.

### 2.2 Symbols used on the workstation frame



Do not place objects or parts of the body under the workstation frame or between the cross members. This could cause serious injury.



Do not exceed the maximum permitted load on the workstation frame. Overloading could lead to breakage and serious injury as a consequence.

### 2.3 Organizational measures

- The workstation frame can best be assembled by two people. Turning the frame, once the work surface has been fitted, is a task in particular which requires two people!

### 2.4 Informal safety measures

- Keep the assembly/operating manual in the place where the workstation frame is used at all times.
- Make sure that all safety information on the table (see Section 2.2, Symbols used on the workstation frame, page 5) is legible, replacing the same if necessary.

### 2.5 Note for those assembling the workstation

- The workstation must be assembled/worked on by persons over the age of 16.
- The persons referred to above must have read and understood the assembly/operating manual.

### 2.6 Transport and assembly

- The workstation frame must be moved by two persons only, and in such cases must be retracted.
- Do not drag or pull the workstation frame over the floor.
- Assemble the workstation frame with the supplied tools only. They are the only tools which ensure that the screws can be tightened to the correct torque.

## **2.7 Use of the workstation frame**

- Do not allow children to use the workstation frame unsupervised. Children may be unaware of the dangers presented by the workstation frame. They would be in serious danger of injuring themselves, possibly even with fatal consequences. Further adjustment must then be impossible as a safeguard against use by children.
- The workstation frame must only be used in appropriate areas (see Section 4 Technical Specifications).
- Do not use the workstation frame on an uneven surface. In such conditions it will not be steady.
- Never exceed the maximum load on the workstation frame (see Section 4 Technical Specifications).

## **2.8 Specific dangers**

- When adjusting the height of the frame there is danger of injury. Make sure that there is no one else in the immediate surroundings of the frame.
- When assembling the workstation frame, make sure there is ample space to avoid collisions (i.e. inclination of roof, fixed objects, filing cabinets, waste-paper bins etc.) in all imaginable directions.
- Make sure there is ample space to avoid collisions if there are objects on the work surface such as computers or computer peripherals.
- Make sure there is clearance of at least 25 mm from all other furniture, all around the work-

## **2.9 In an emergency**

- Stop using the workstation frame at once if you notice anything unusual (strange sounds etc.).
- Have the workstation frame repaired by specialists. Refrain from using the workstation frame until it has been successfully repaired.

## **2.10 Maintenance and upkeep**

- The workstation frame and its components are low-maintenance items and need no special regular maintenance.
- Do not perform any repairs on the work surface or other components yourself.
- Do not alter the construction of the work surface or its frame.
- Any faulty components removed must be replaced with new, original components from the manufacturer. Use only original replacement parts made by the manufacturer. Have any such work carried out by a specialist, making reference to this Assembly/operating manual.

## **2.11 Cleaning**

- Dust the workstation frame once a week with a dry cloth.
- Clean the workstation frame with a damp cloth and a weak solution of cleaner once a fortnight.

## **2.12 Persistent risks**

This workstation frame has been built to the state of the art and to recognized safety regulations. Nonetheless, its use may constitute a risk to the health and safety of users or third parties, damage to the workstation frame or to other items. The workstation frame must be used only:

- for the purpose for which it was intended.
- if it is completely safe so to do.

### 3 Assembly



Before attempting assembly, read the safety information in Section 2.

#### 3.1 Checking the items supplied

- Carefully open the cardboard packaging.
- In doing so, do not use any long knife blades. They may damage the components inside.
- Check the parts supplied against the list in Section 1.4 Items supplied.
- Check the contents for visible transit damage, paying particular attention to the electrical wiring. In the event of any damage or incorrect components, contact customer services (see Section 6).
- Do not attempt to assemble the workstation frame if there is any damage or if there are any incorrect components.

#### 3.2 Packaging

- Remove the packaging. Treat as household waste/paper.
- Observe national legislation.

#### 3.3 Tightening torques for screws used

- Assemble the workstation frame with the tools supplied only.

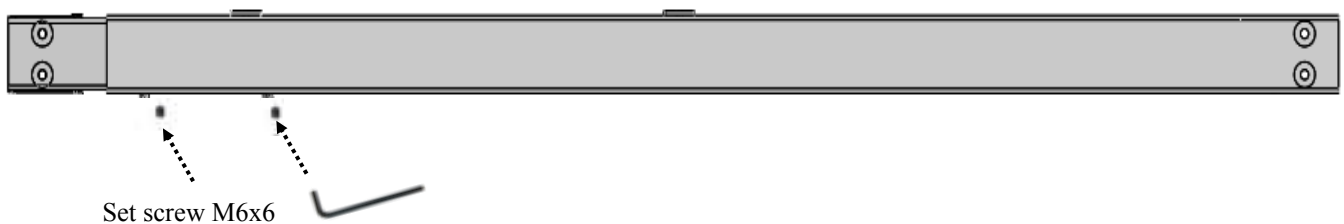
#### 3.4 Assembly of the workstation

##### 3.4.1 Pre-assembly of the Crossbar

Assemble the following components:

| #    | Part name      | Qty |
|------|----------------|-----|
| 06   | Crossbar       | 1   |
| 09   | Allen key M3   | 1   |
| 10.1 | Set Screw M6x6 | 2   |

| Indicative:  |                    |
|--------------|--------------------|
| Frame set-up | Wide/size tabletop |
| 1,1 m        | 120 cm             |
| 1,3 m        | 140 cm             |
| 1,5 m        | 160 cm             |
| 1,7 m        | 180 cm             |

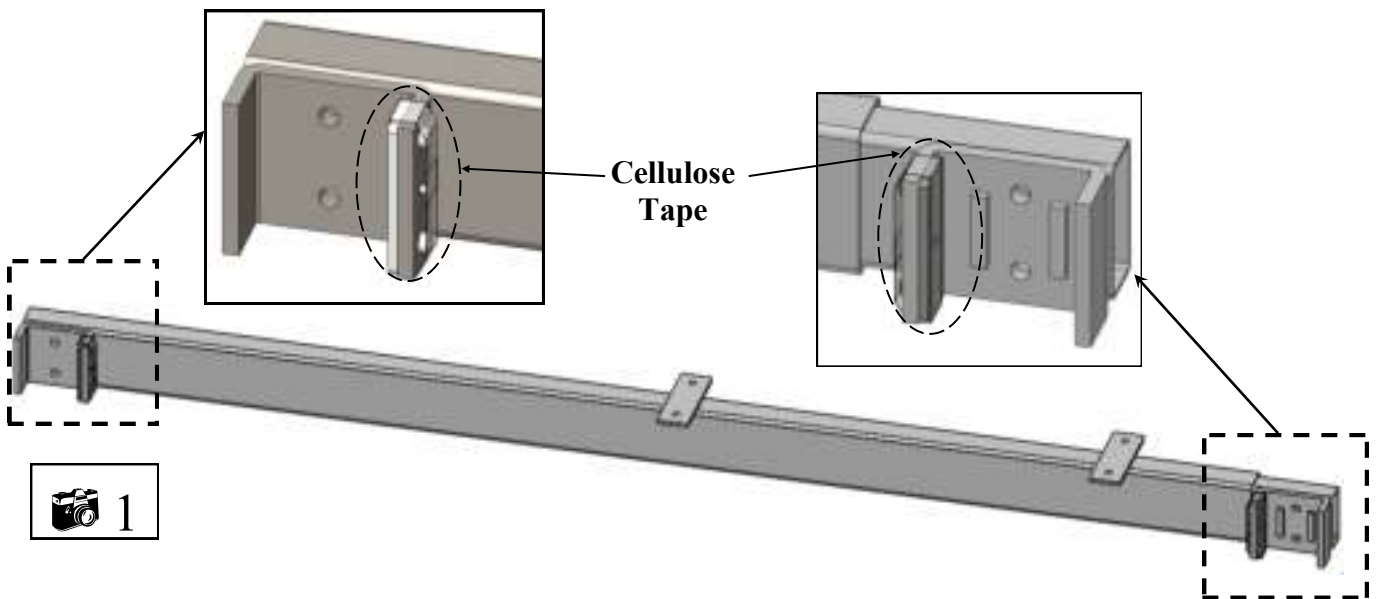


- Assemble the 2 set screws in the tapped holes.
- ☞ Do not yet tighten the socket screws!
- Tighten the socket screws only after assembling the components in step 3.4.7 Adjustment of the frame width, page 17.

### 3.4.2 Mounting the Crossbar

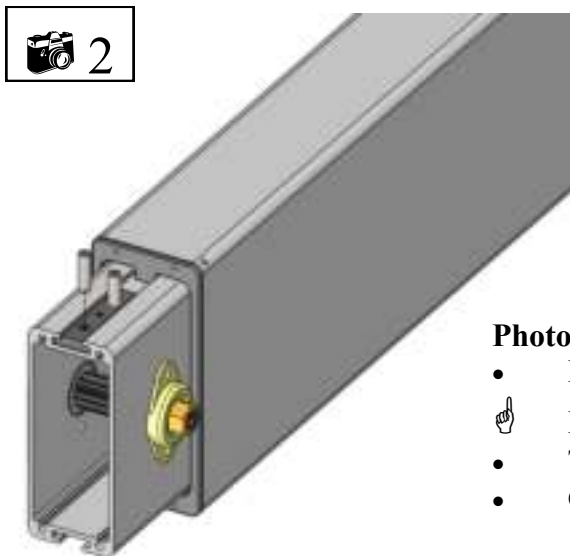
Assemble the following components:

| #    | Part name              | Qty |
|------|------------------------|-----|
| 01   | Leg                    | 2   |
| 06   | Pre-assembled Crossbar | 1   |
| 09   | Pipe Key M10           | 1   |
| 09   | Allen key M3           | 1   |
| 10.2 | Set Screw M6x20        | 4   |
| 10.3 | Flange Nut M6          | 4   |



#### Photo 1

- Remove the transparent cellulose tape on the crossbar bracket before mount to the leg unit.

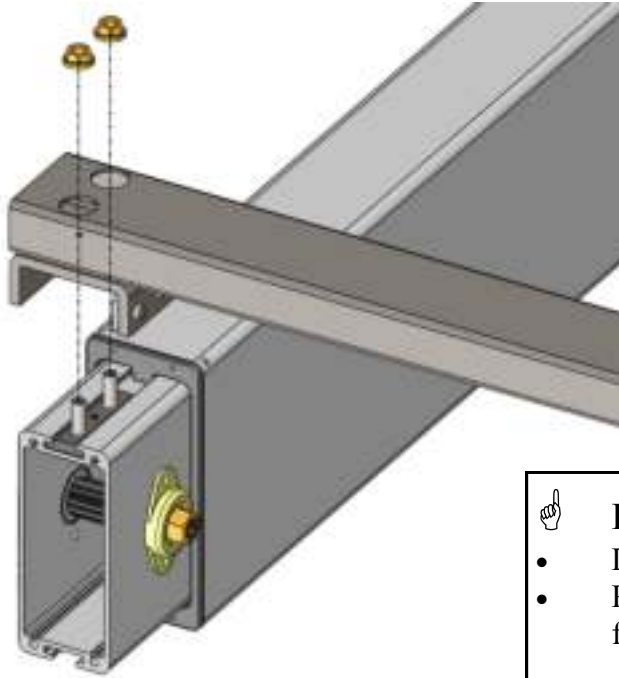



#### Photo 2

- Place both legs flat on the floor, parallel to each other.
- ☞ Be aware that both slide nuts point upwards.
- Twist in 2 set screws into the slide nut of each leg.
- Gently tighten the set screws with the Allen key M3.



 3



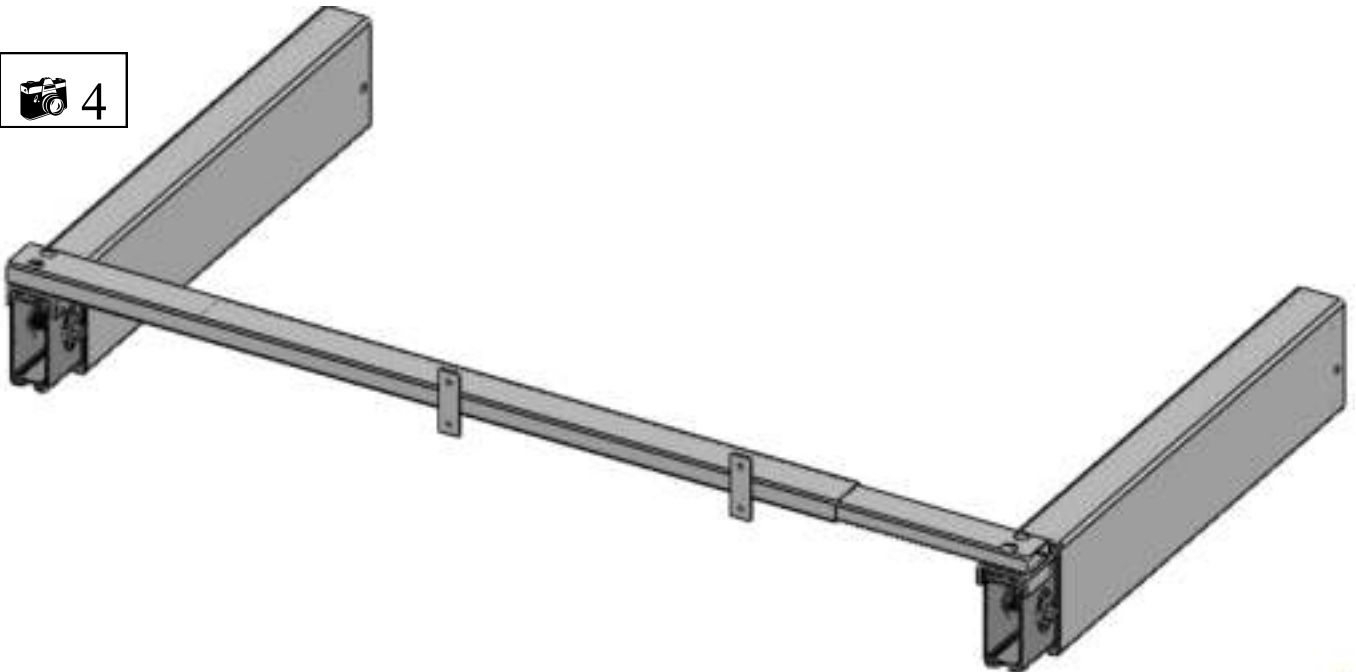
 **Important !!!**

- Do not fully tighten the flange nut.
- Prevent the plate in crossbar bracket from falling off!

**Photo 3**

- Place the pre-assembled crossbar over the set screws.
- Place the 4 flange nuts on the set screws.
- Hand tighten the 4 flange nuts with the Pipe Key M10.

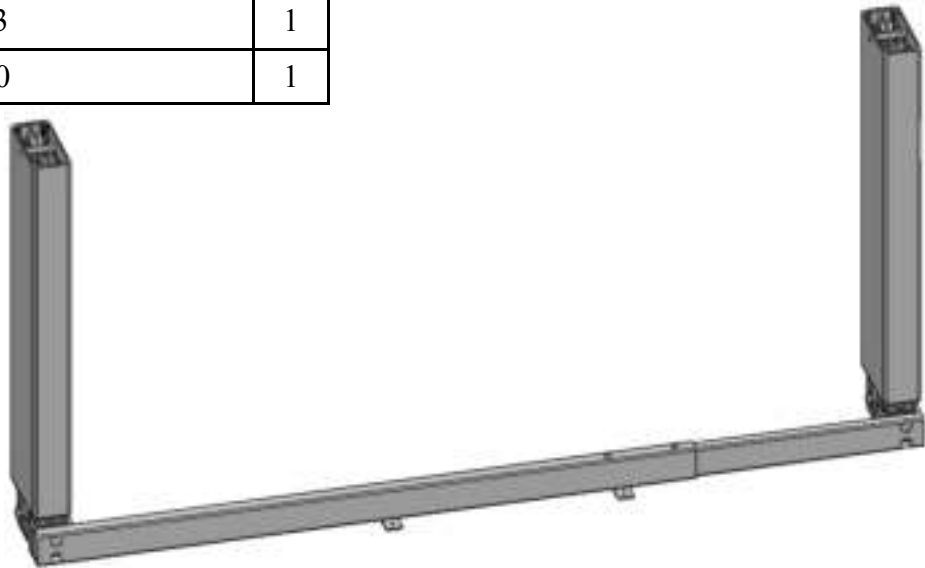
 4



### 3.4.3 Mounting the Feet

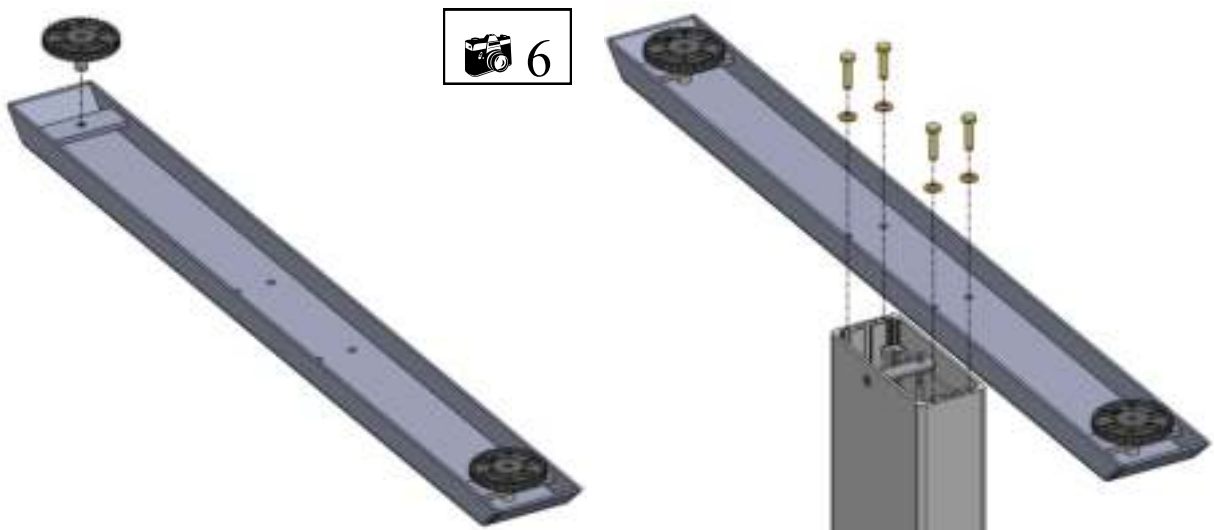
Assemble the following components:

| #    | Part name                  | Qty |
|------|----------------------------|-----|
| 03   | Foot                       | 2   |
| 08   | Foot adjusters             | 4   |
| 09   | Spanner M10 / Pipe Key M10 | 1   |
| 10.4 | Hex Bolt M6x25             | 8   |
| 10.5 | Washer M6                  | 8   |
| 09   | Allen Key M3               | 1   |
| 09   | Pipe Key M10               | 1   |



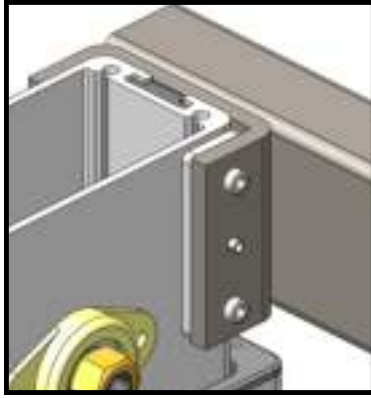
#### Photo 5

- Turn the pre-assembled legs and crossbars up-side-down (with 2 persons). The crossbars are now closest to the floor.
- ☞ Secure the pre-assembled legs against falling over.

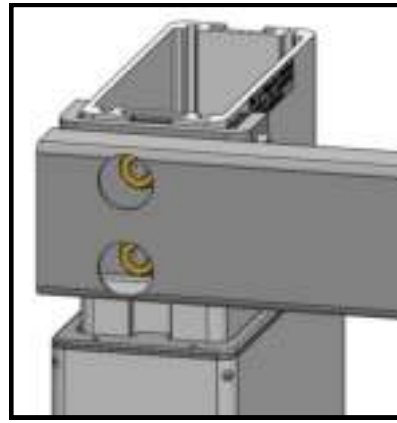


#### Photo 6

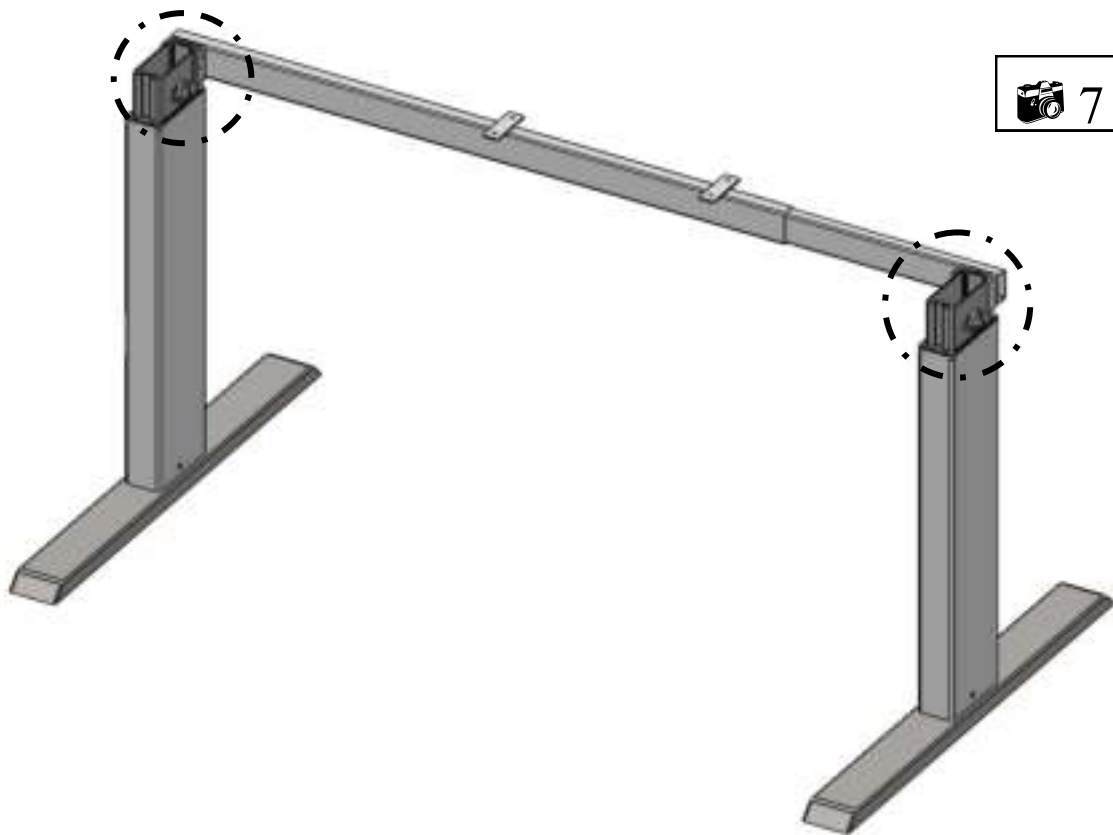
- Place 2 foot adjusters on the bottom of each foot.
- Position the foot, like photo 6, in relation to the crossbar.
- Connect each foot to a leg with 4 bolts and 4 washers.
- Tighten the 8 bolts with the Allen Key M10/ Pipe Key M10.



**Tighten the set screws.**



**Tighten the flange nuts**



**Photo 7**

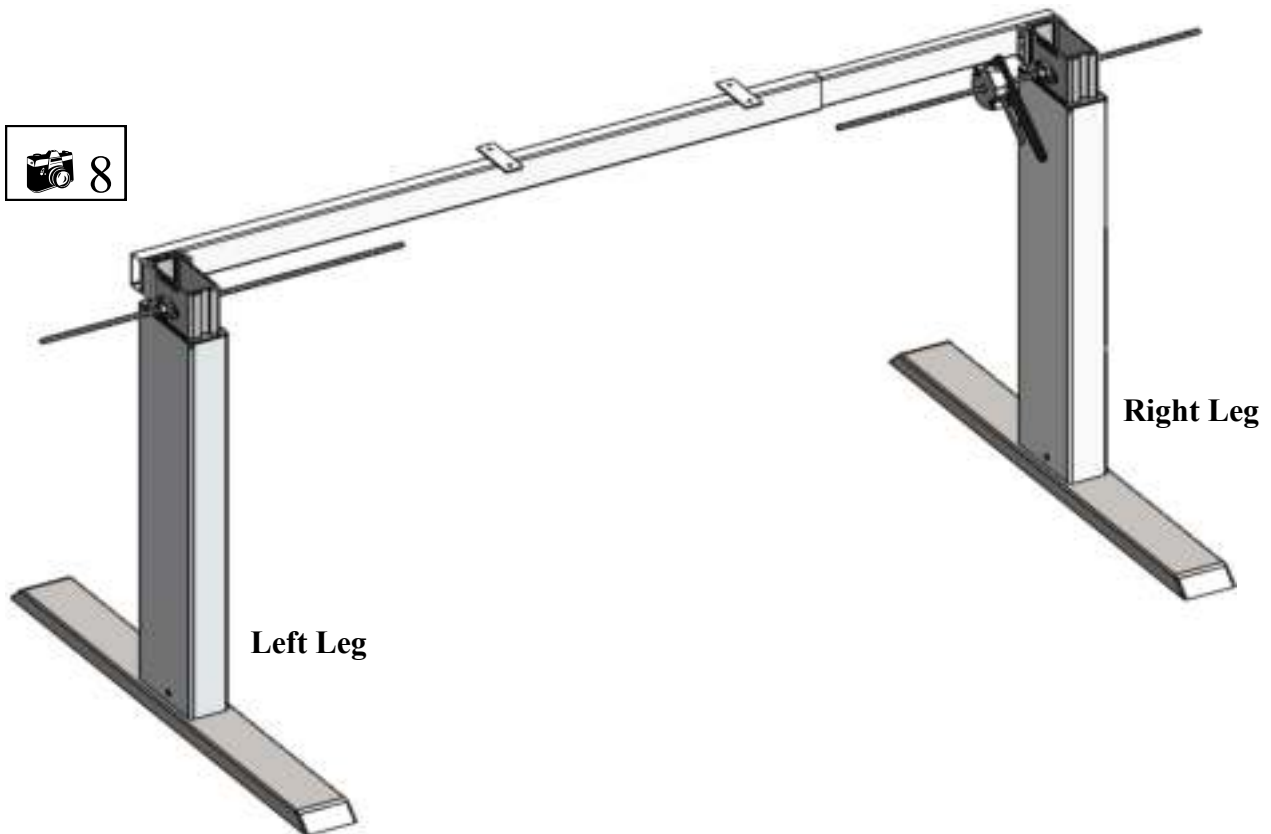
- Turn the frame back on its foot (with 2 persons).
- Now only :-
  - **FIRMLY** tighten the 4 set screws on the crossbar bracket with Allen Key M3.
  - **FIRMLY** tighten the 4 flange nuts on the crossbar with Pipe key M10.

### 3.4.4 Mounting the Hexagon Shaft

Assemble the following components:

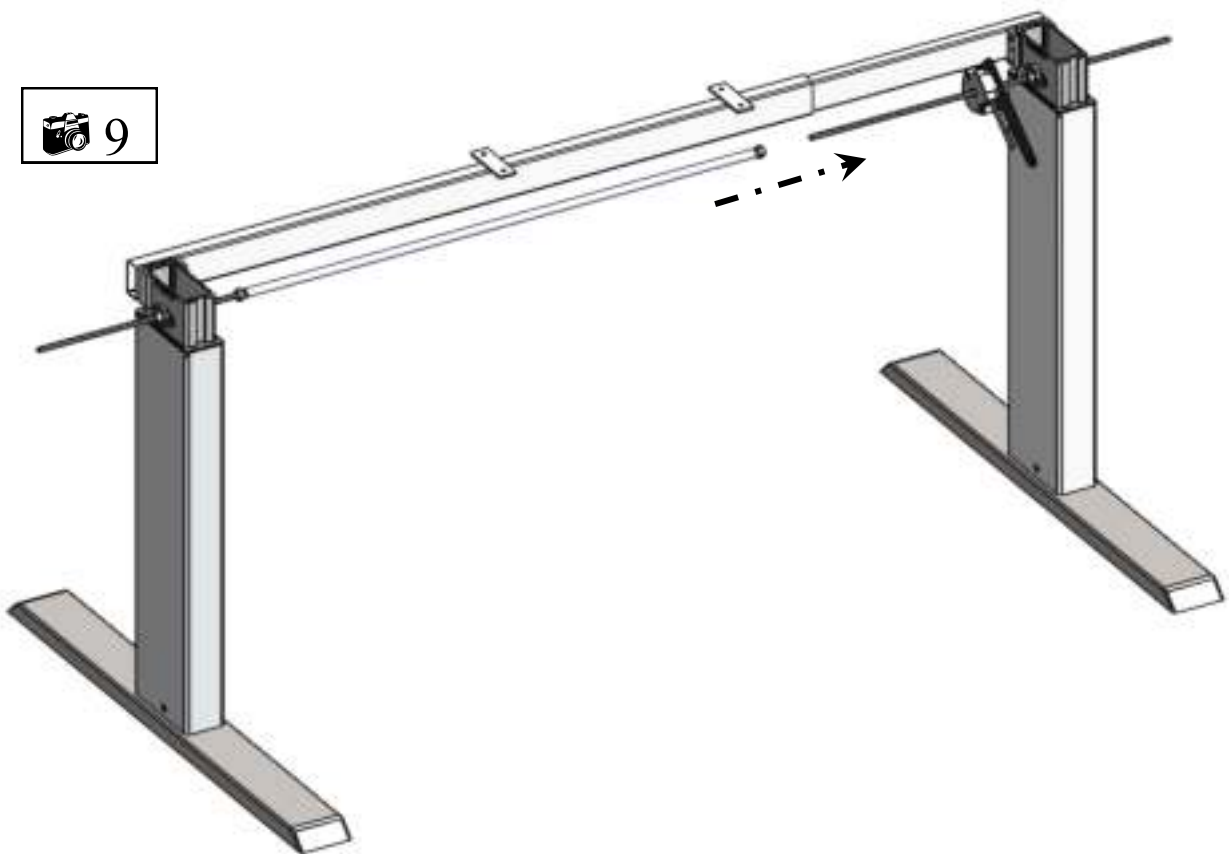
| #  | Part name     | Qty |
|----|---------------|-----|
| 04 | Hexagon shaft | 2   |
| 05 | Axle Drive    | 1   |
| 09 | Spanner M10   | 1   |
| 12 | Gearbox       | 1   |

- ☞ Be aware that both legs are completely in the lowest position.
- ☞ Be aware that all components are originally packed.



#### Photo 8

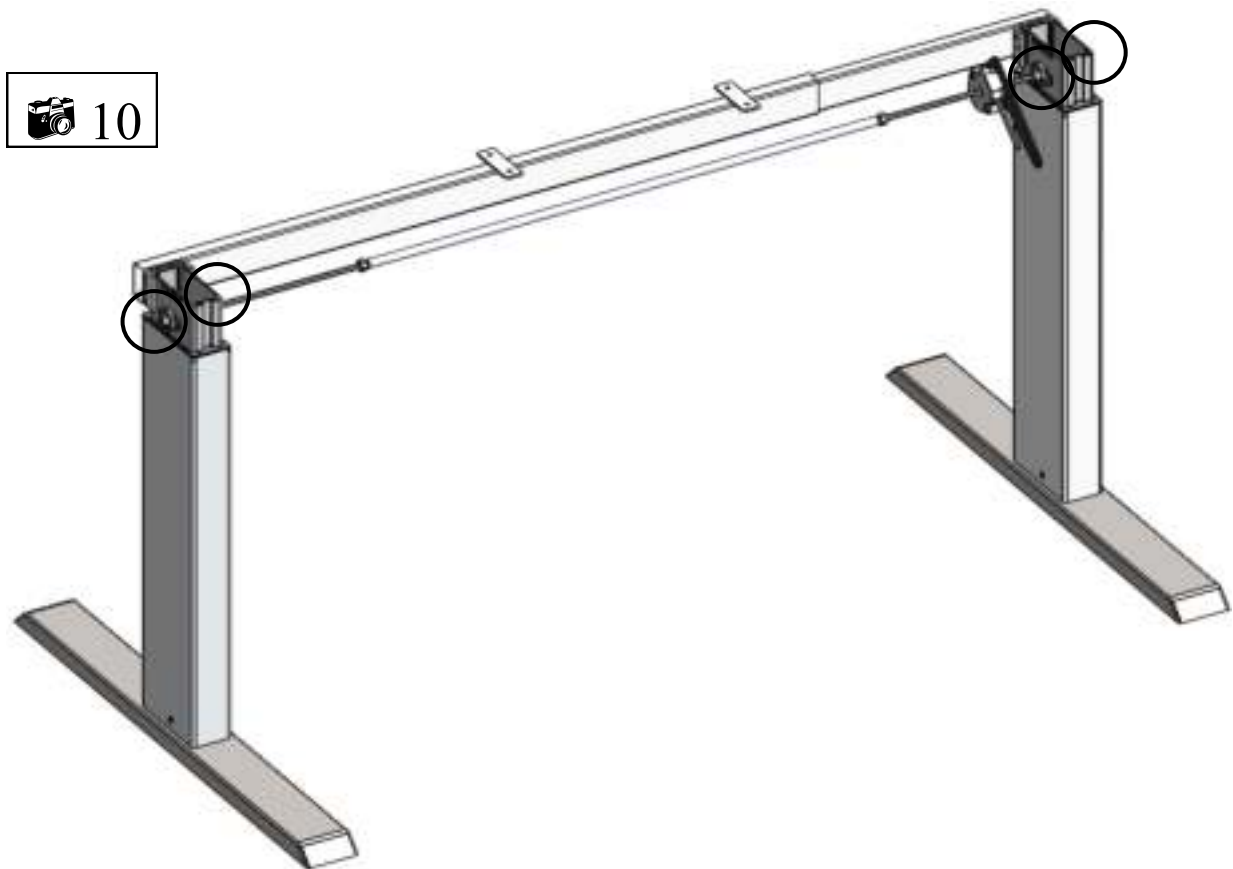
- Slide the 1st hexagon shaft through the hexagon holes in the left legs until it sticks  $\pm 15$  cm inside the frame.
- Slide the 2nd hexagon shaft through the hexagon holes in the right legs until it sticks  $\pm 15$  cm inside the frame.
- Slide the gearbox over the 2nd hexagon shaft.



 9

**Photo 9**

- Slide the axle drive over both hexagon shafts.



 10

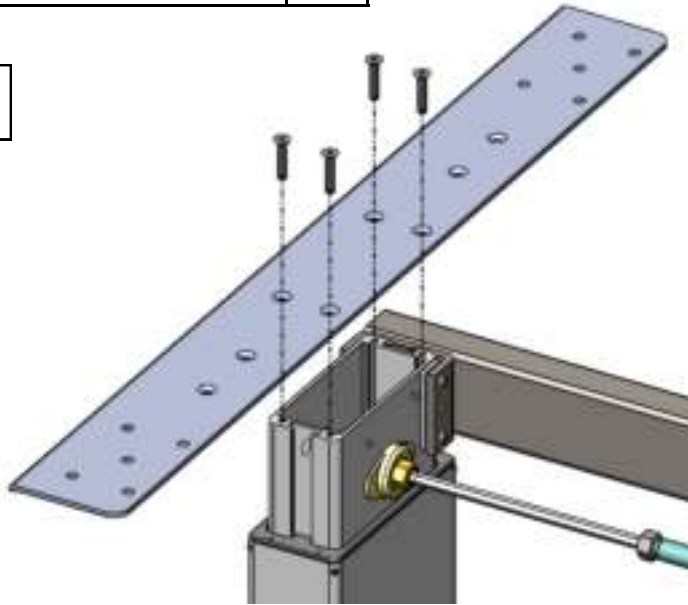
**Photo 10**

- Slide both hexagon shafts inward, until they are flush with the outside surface of the leg.
- Tighten the nuts on the leg.

### 3.4.5 Mounting the Top Support

Assemble the following components:

| #    | Part name    | Qty |
|------|--------------|-----|
| 02   | Top support  | 2   |
| 09   | Allen Key M3 | 1   |
| 10.7 | CSK M5x25    | 8   |



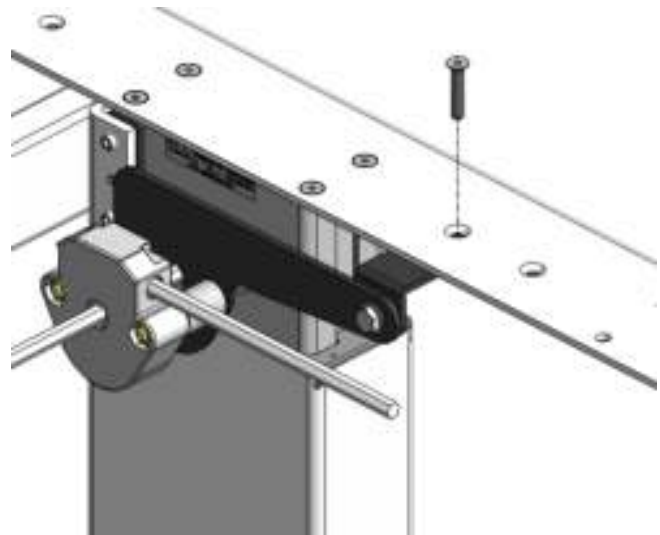
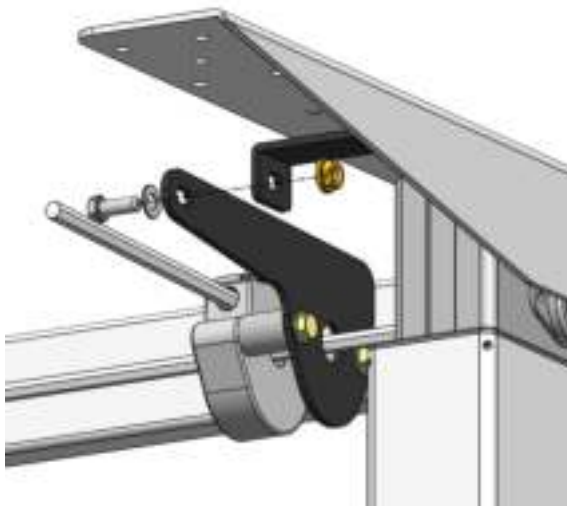
#### Photo 11 & 12

- Position the top support, like photo 11, in relation to the crossbars
- Connect each top support to a leg with 4 CSK screws
- Tighten the 8 screws with the Allen Key M3.

### 3.4.6 Mounting the Hand Crank

Assemble the following components:

| #    | Part name           | Qty |
|------|---------------------|-----|
| 07   | L-Bracket           | 1   |
| 10.7 | CSK M5x25           | 1   |
| 09   | Allen Key M3 & M2.5 | 1   |
| 09   | Spanner M10         | 1   |
| 10.6 | Bolt M6x16          | 1   |
| 10.5 | Washer M6           | 1   |
| 10.3 | Flange nut M6       | 1   |
| 11   | Hand Crank Assembly | 1   |

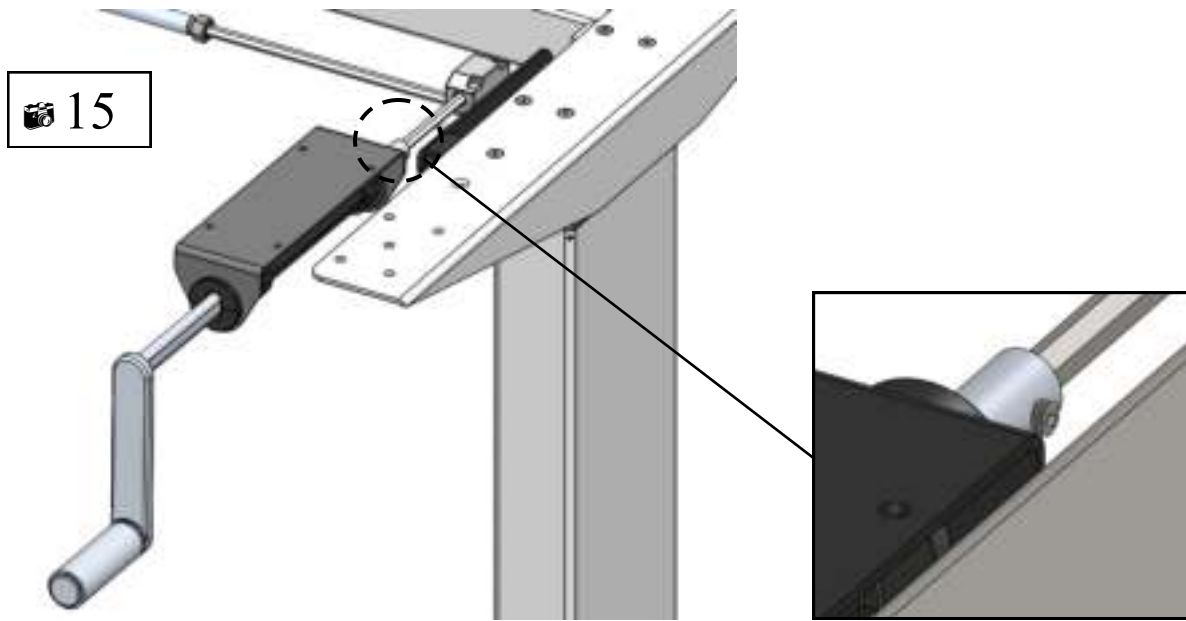


#### Photo 13

- Slide the hex bolt M6x16mm with a washer through the specific hole in the gearbox.
- Slide the L-bracket over the already placed bolt (between the gearbox and the top support).
- Screw the flange nut, as showed on the photo, over the bolt.

#### Photo 14

- Adjust the gearbox towards the top support until L-Bracket's hole align with hole on top support.
- Screw the L-Bracket with CSK screw M5x25mm.



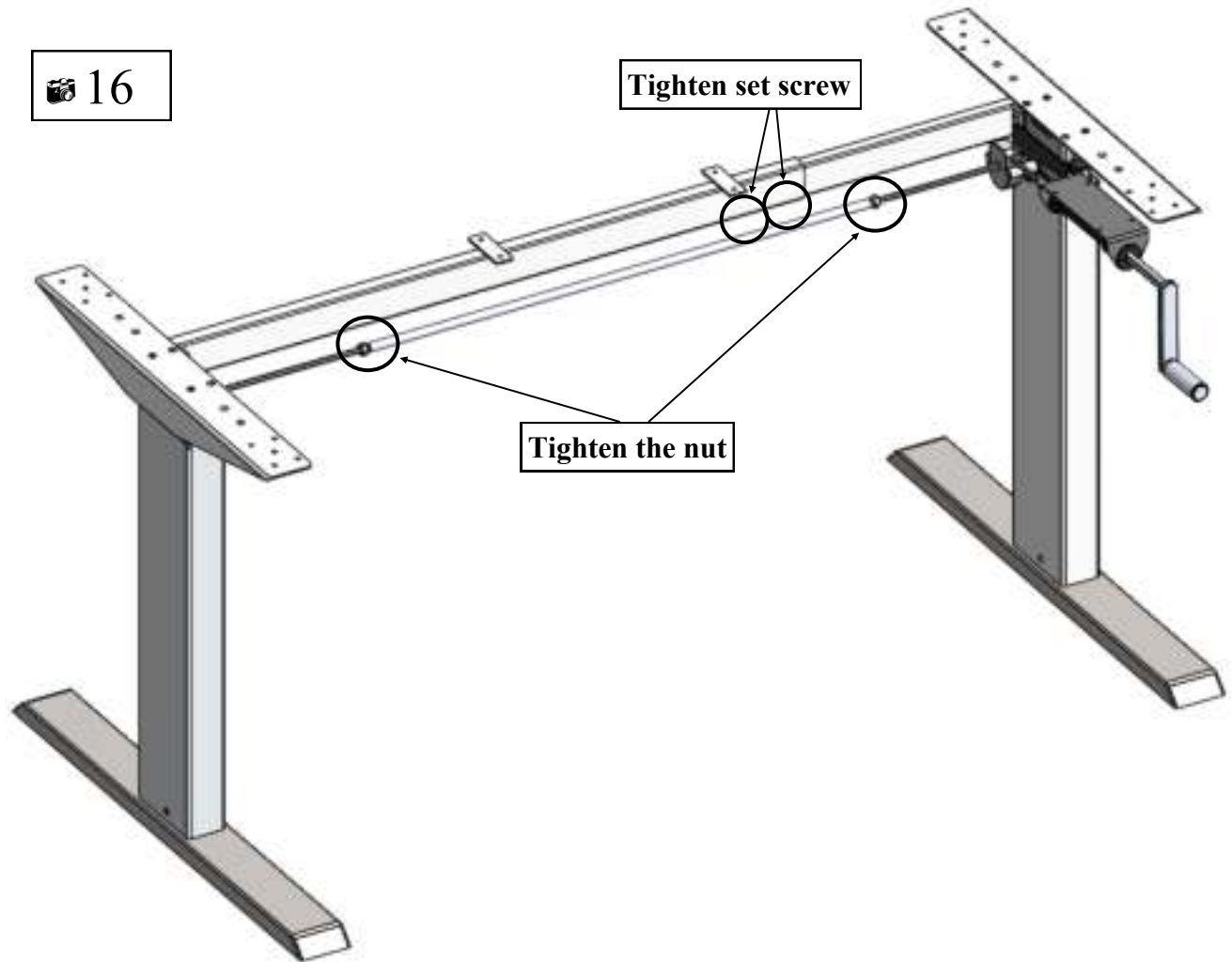
**Photo 15**

- Slide the hand crank assembly over the shaft and tighten the set screw with Allen Key M2.5.

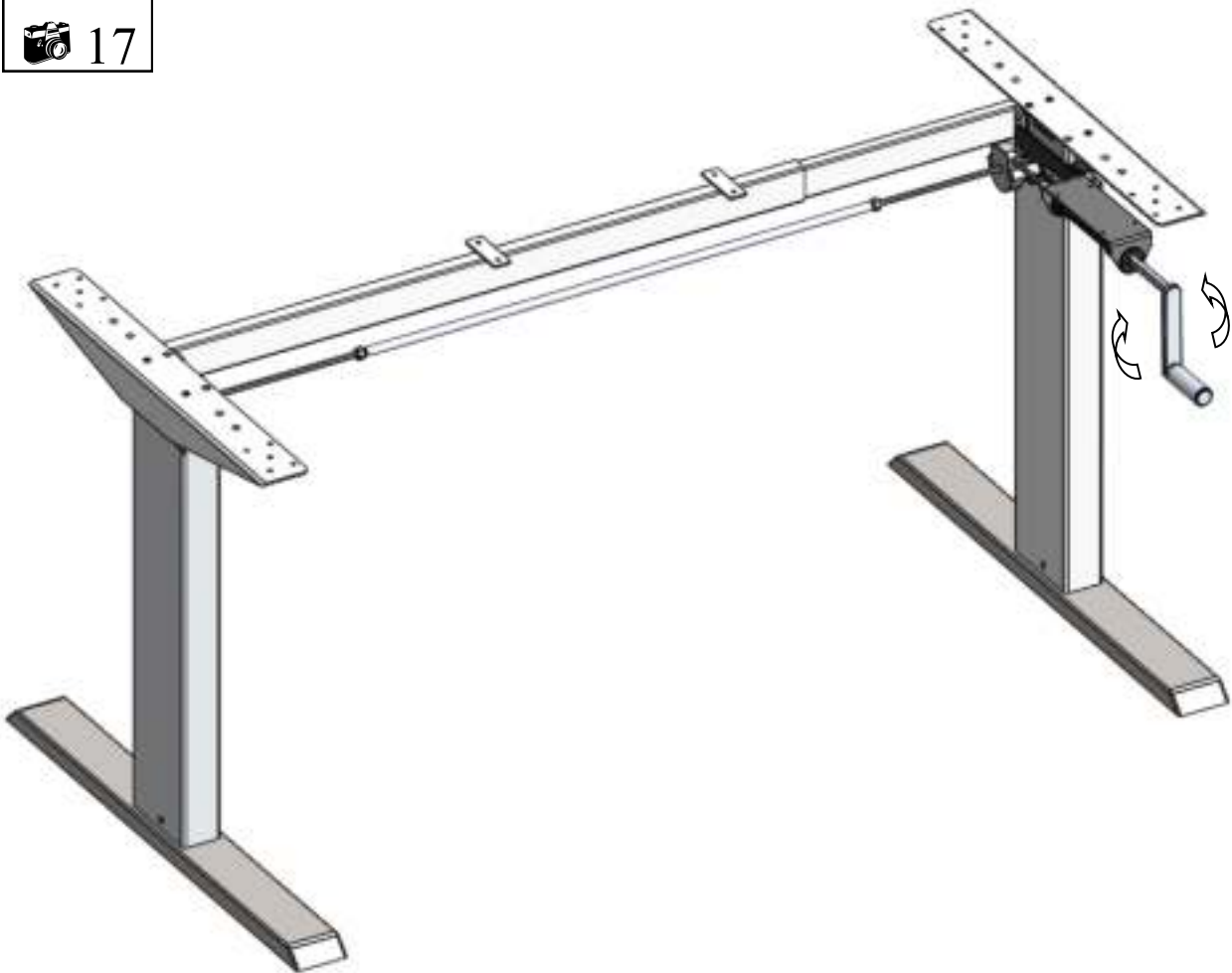


### 3.4.7 Adjustment of the frame width

- Pull the frame outward to the required wide (see chapter 3.4.1 Pre-assembly of the Crossbar)
- Tighten the set screws in the bottom crossbar and pinching nuts on the axle drive with the Spanner M10 only now.



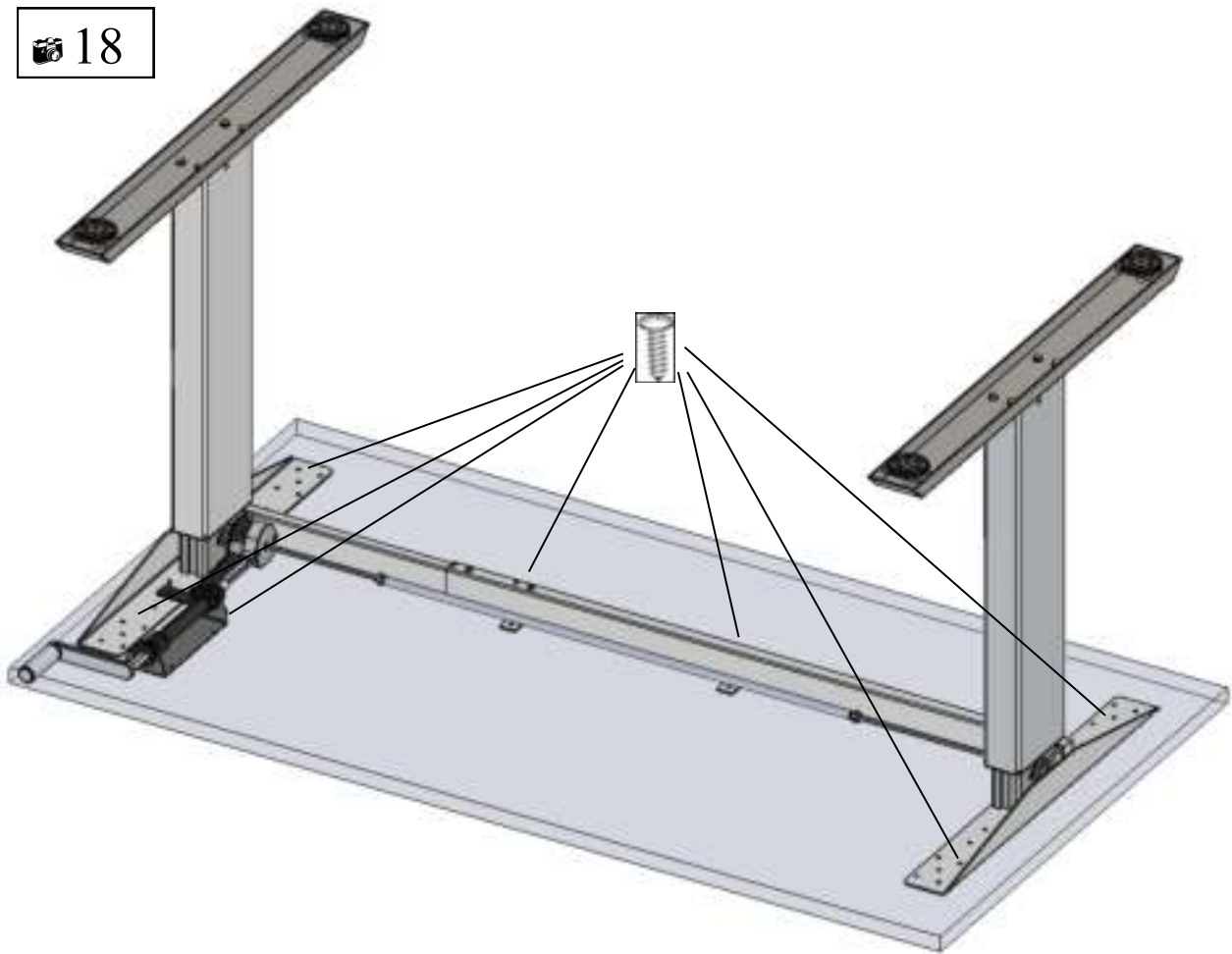
### 3.4.8 Frame test without table top



**Make sure that the workstation frame can move correctly and freely at all times. Should this no longer be the case, report it to customer services (see Section 6).**

**3.4.9 Assembly of the table top**  
*See separate manual of the table top.*

 18



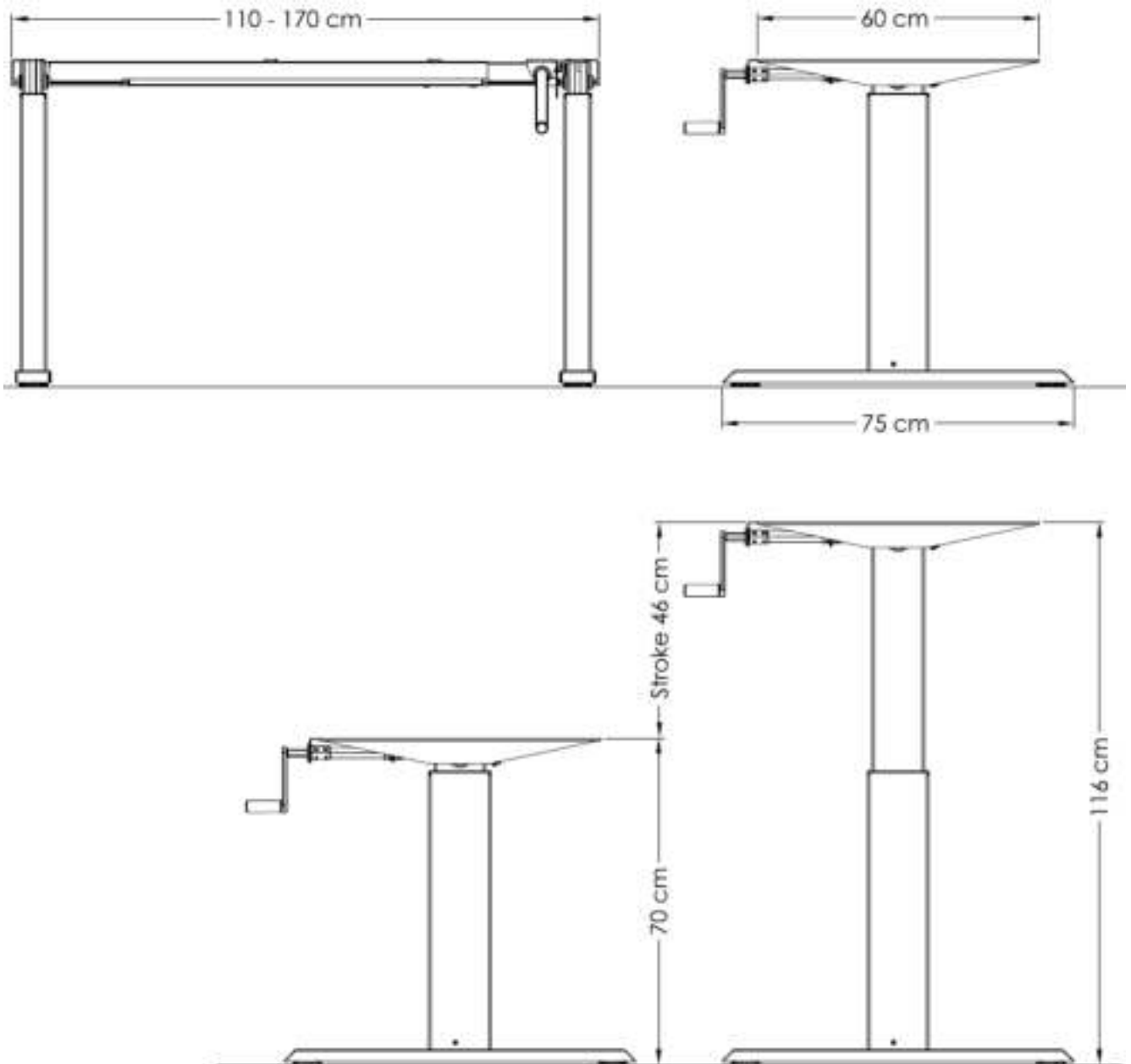
## 4 Technical Specifications

### Frame for a Manually-Adjustable Workstation

|                                   |                              |
|-----------------------------------|------------------------------|
| Assembly Manual version           | P19302-2EN-DE-NL-FR          |
| Year of construction              | 2020                         |
| Production country                | Malaysia                     |
| System                            | 1-step, external drive       |
| Material                          | Aluminium, steel and plastic |
| Stroke (max.)                     | 46 cm                        |
| Frame load (max.)                 | 60 kg                        |
| Frame weight                      | ± 21 kg                      |
| Environmental temperature Use     | 15 - 30°C                    |
| Environmental temperature Storing | 10 - 50°C                    |
| Humidity Use                      | <85%                         |
| Humidity Storing                  | <50%                         |
| Maximum Storing time              | -                            |
| Indoor use only!!!                |                              |


## 4 Technical Specifications

(\* General Tolerance =  $\pm 1$  cm)




|                        |           |    |
|------------------------|-----------|----|
| Minimum frame height   | 70        | cm |
| Maximum frame height   | 116       | cm |
| Maximum stroke         | 46        | cm |
| Frame Width            | 110 - 170 | cm |
| Frame Depth            | 75        | cm |
| Minimum Tabletop Depth | 60        | cm |
| Maximum load           | 60        | kg |

## 5 Operation and Indicators

|   |   |
|---|---|
|  | <p><b>Observe the provisions of Section 2 Safety Information on page 5, in particular:</b></p> <p><b>Do not leave children unsupervised with the workstation frame. Children may be unaware of the dangers presented by the workstation frame. They would be in serious danger of injuring themselves, possibly even with fatal consequences. Do not exceed the maximum time lag of the workstation frame.</b></p> <p><b>Make sure there is ample space to avoid collisions if there are objects on the work surface such as computers or computer peripherals.</b></p> |
|---|---|

### 5.1 Indicators

|   |  |
|---|--|
|  | <p><b>Leave the immediate surroundings of the workstation frame at once if it starts to move spontaneously. Under no circumstances attempt to operate the workstation frame. Have the workstation frame repaired by specialists. Refrain from using the workstation frame until it has been successfully repaired.</b></p> <p><b>Stop using the workstation frame at once if you notice anything unusual (strange sounds, smoke, etc.). Have the workstation frame repaired by specialists. Refrain from using the workstation frame until it has been successfully repaired.</b></p> <p><b>Stop using the workstation frame at once if its safety features (e.g. key switch, end switch) fail to work as they should.</b></p> |
|---|--|

## 6 Customer Service

Make sure you have the frame information at hand when contacting your dealer

|                  |
|------------------|
| <i>Retailer:</i> |
|------------------|

## 7 Manufacturer

|   |
|---|
| <p><b>Actiforce International B.V.</b></p> <p>Het Steenland 20<br/>3751 LA Bunschoten-Spakenburg<br/>The Netherlands</p> <p>+31 (0)33 4600120<br/><a href="http://www.actiforce.com">www.actiforce.com</a><br/><a href="mailto:info.holland@actiforce.com">info.holland@actiforce.com</a></p> |
|---|

## 8 Recycling

### 8.1 Taking the workstation apart

- In case of de-assembling please follow the manual backwards or contact customer service.

### 8.2 Recycling

- Please split all parts to their type of material. Keep notice of National restrictions!





English

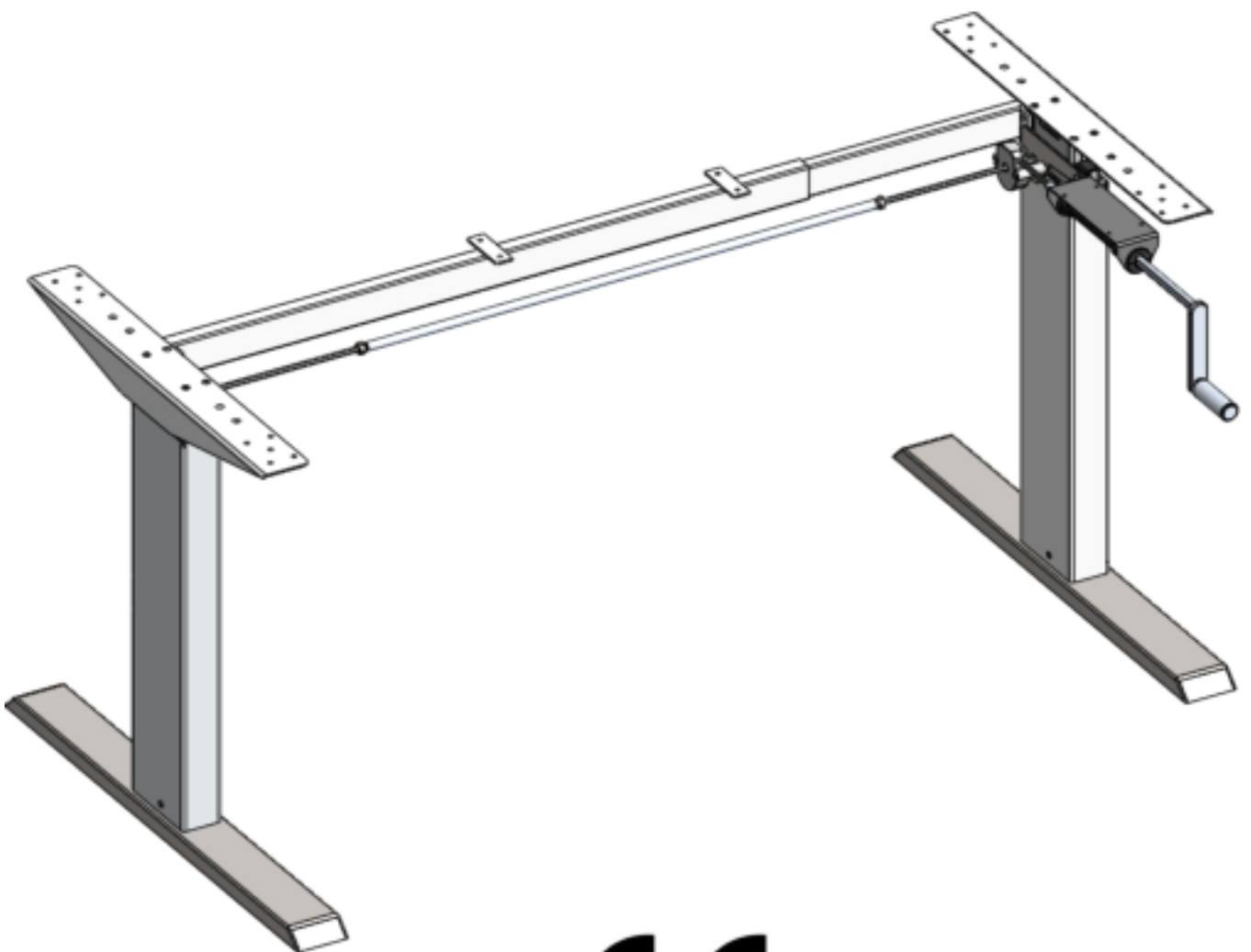
Deutsch

Nederlands

Français

# ***ALUFORCE PRO 140 CL Diecast HC***

Manuell verstellbares Tischgestell



**CE**

**Betriebs- und Montageanleitung**

Bitte sorgfältig lesen und sicher aufbewahren.

PI9302-2EN-DE-NL-FR

## Inhaltsverzeichnis

|          |  |           |
|----------|--|-----------|
| <b>1</b> | <b>ALLGEMEIN</b> .....                             | <b>3</b>  |
| 1.1      | Bedeutung der Betriebs- und Montageanleitung ..... | 3         |
| 1.2      | Sachgemäße Verwendung .....                        | 3         |
| 1.3      | Sachwidrige Verwendung .....                       | 3         |
| 1.4      | Lieferumfang .....                                 | 4         |
| <b>2</b> | <b>SICHERHEITSHINWEISE</b> .....                   | <b>5</b>  |
| 2.1      | Symbol- und Hinweiserklärungen .....               | 5         |
| 2.2      | Verwendete Symbole am Tischgestell .....           | 5         |
| 2.3      | Organisatorische Maßnahmen .....                   | 5         |
| 2.4      | Empfohlene Sicherheitsmaßnahmen .....              | 5         |
| 2.5      | Hinweise zur Montage .....                         | 5         |
| 2.6      | Transport und Montage .....                        | 5         |
| 2.7      | Benutzung des Tischgestells .....                  | 6         |
| 2.8      | Besondere Gefahrenstellen .....                    | 6         |
| 2.9      | Hinweise für den Notfall .....                     | 6         |
| 2.10     | Wartung und Instandhaltung .....                   | 6         |
| 2.11     | Reinigung .....                                    | 6         |
| 2.12     | Restrisiken .....                                  | 6         |
| <b>3</b> | <b>MONTAGE</b> .....                               | <b>7</b>  |
| 3.1      | Überprüfung des Lieferumfangs .....                | 7         |
| 3.2      | Verpackung .....                                   | 7         |
| 3.3      | Hinweis zum Verschrauben der Beschläge .....       | 7         |
| 3.4      | Montage des Tischgestells .....                    | 7         |
| 3.4.1    | Vormontage der Traversen .....                     | 7         |
| 3.4.2    | Montage der Traverse .....                         | 8         |
| 3.4.3    | Montage der Kufen .....                            | 10        |
| 3.4.4    | Montage der Antriebswelle .....                    | 12        |
| 3.4.5    | Montage der Plattenträger .....                    | 14        |
| 3.4.6    | Montage der Handkurbel .....                       | 15        |
| 3.4.7    | Einstellen der Gestellbreite .....                 | 17        |
| 3.4.8    | Test und Inbetriebnahme des Tischgestells .....    | 18        |
| 3.4.9    | Montage der Tischplatte .....                      | 19        |
| <b>4</b> | <b>TECHNISCHE DATEN</b> .....                      | <b>20</b> |
| <b>5</b> | <b>BETRIEBSHINWEISE</b> .....                      | <b>22</b> |
| 5.1      | Fehlfunktionen .....                               | 22        |
| <b>6</b> | <b>KUNDENDIENST</b> .....                          | <b>23</b> |
| <b>7</b> | <b>HERSTELLER</b> .....                            | <b>23</b> |
| <b>8</b> | <b>ENTSORGUNG</b> .....                            | <b>23</b> |
| 8.1      | Demontage des Tischgestells .....                  | 23        |
| 8.2      | Entsorgung .....                                   | 23        |

# 1 Allgemein

## 1.1 Bedeutung der Betriebs- und Montageanleitung

Grundvoraussetzung für den sicherheitsgerechten Umgang und den störungsfreien Betrieb dieses Tischgestells ist die Kenntnis der grundlegenden Sicherheitshinweise und der Sicherheitsvorschriften. Diese Betriebs- und Montageanleitung enthält die wichtigsten Hinweise, um das Tischgestell sicherheitsgerecht zu montieren und zu bedienen. Diese Betriebs- und Montageanleitung, insbesondere die Sicherheitshinweise, sind von allen Personen zu beachten, die das Gestell aufbauen und an dem fertigen Tisch arbeiten. Darüber hinaus sind die für den Einsatzort geltenden Regeln und Vorschriften zur Unfallverhütung zu beachten.

## 1.2 Sachgemäße Verwendung

Das Tischgestell dient ausschließlich der Verwendung als manuell höhenverstellbarer Sitz-/ Steharbeitsplatz in Büros oder anderen geschlossenen Räumen. Das Gestell ist somit auch nur für diesen Verwendungszweck bestimmt. Beachten Sie hierzu unbedingt das Kapitel 2 „Sicherheitshinweise“. Kinder können die vom Tischgestell ausgehenden Gefahren nicht einschätzen, wenn sie sich unbeaufsichtigt in der Nähe des Tisches aufhalten. Eine andere oder darüber hinausgehende Benutzung gilt als nicht bestimmungsgemäß. Für hieraus entstehende Schäden haftet der Hersteller nicht.

Zur sachgemäßen Verwendung gehört auch

- das Beachten aller Hinweise aus der Betriebs- und Montageanleitung und
- das Verbot von jeglichen An- und Umbauten am Tisch.

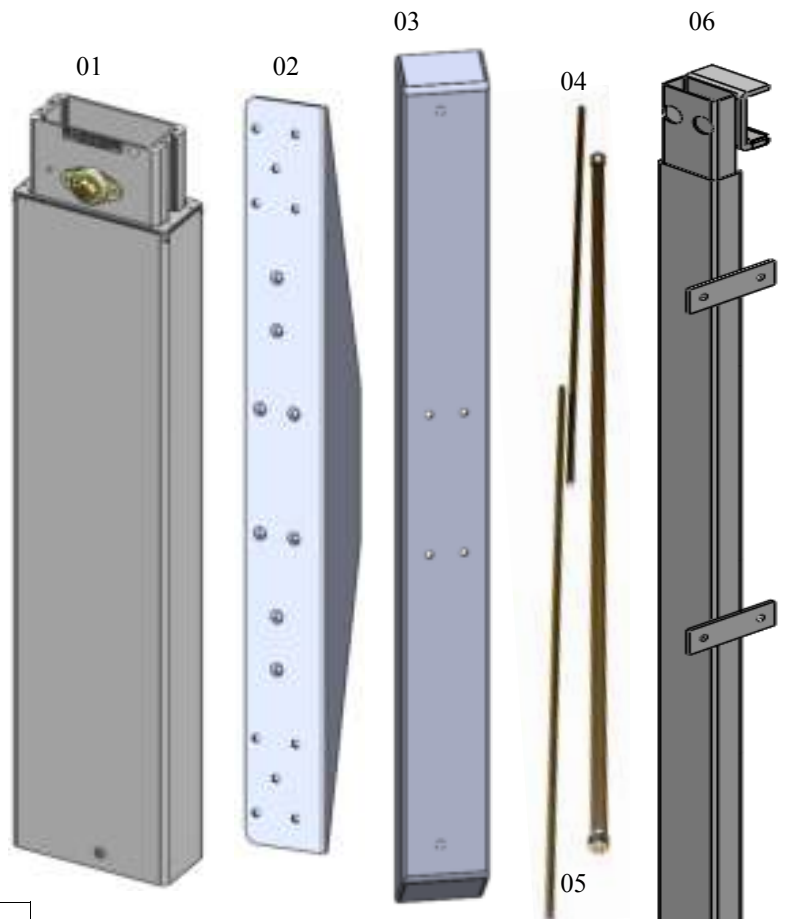
## 1.3 Sachwidrige Verwendung

- Verwenden Sie das Tischgestell niemals zum Heben von Personen oder Lasten!
- Belasten Sie das Tischgestell nur bis zur maximalen Last (siehe Kapitel 4 „Technische Daten“).

**ACHTUNG: Jede nicht ausdrücklich vom Hersteller geprüfte und genehmigte technische oder bauliche Veränderung bewirkt ein Erlöschen der Garantie.**

## 1.4 Lieferumfang

| #  | Bezeichnung         | Menge |
|----|---------------------|-------|
| 01 | Bein                | 2     |
| 02 | Plattenträger       | 2     |
| 03 | Kufe                | 2     |
| 04 | Sechskantstab       | 2     |
| 05 | Verbindungsstück    | 1     |
| 06 | Traverse            | 1     |
| 07 | L-Winkel            | 1     |
| 08 | Niveaugleiter       | 4     |
| 09 | Werkzeuge           | 1     |
| 10 | Beschlägebeutel     | 1     |
| 11 | Handkurbelbaugruppe | 1     |
| 12 | Getriebe            | 1     |



|      |  |     |                         |
|------|--|-----|-------------------------|
| 10.1 |  | 2x  | Gewindestift M6x6       |
| 10.2 |  | 4x  | Gewindestift M6x20      |
| 10.3 |  | 5x  | Flanschmutter M6        |
| 10.4 |  | 8x  | Sechskantschraube M6x25 |
| 10.5 |  | 9x  | Unterlegscheibe M6      |
| 10.6 |  | 1x  | Sechskantschraube M6x16 |
| 10.7 |  | 9x  | Senkkopfschraube M5x25  |
| 10.8 |  | 28x | Holzschraube 4.5x16     |



## 2 Sicherheitshinweise

### 2.1 Symbol- und Hinweiserklärungen

In der Betriebs- und Montageanleitung werden folgende Hinweise und Symbole für Gefährdungen verwendet:



Dieses Symbol weist auf eine unmittelbar drohende Gefahr für das Leben und die Gesundheit von Personen hin. Das Nichtbeachten dieser Hinweise kann schwere Gesundheitsschäden sowie lebensgefährliche Verletzungen bis hin zum Tod zur Folge haben.



Dieses Symbol deutet auf einen wichtigen Hinweis hin. Das Nichtbeachten kann zu Schäden am Gestell führen.

### 2.2



Bringen Sie keine Gegenstände oder Körperteile unter das Tischgestell bzw. zwischen die Traversen. Eine Nichtbeachtung kann zu schweren Verletzungen führen.



Verwendete  
Symbole am  
Tischgestell

Belasten Sie das Tischgestell nur mit der maximal vorgesehenen Last. Eine Überbelastung kann zum Bruch und zu schweren Verletzungen führen.

### 2.3 Organisatorische Maßnahmen

- Montieren Sie das Tischgestell am besten mit zwei Personen. Speziell das Umdrehen des Gestells mit montierter Tischplatte muss mit zwei Personen erfolgen

### 2.4 Empfohlene Sicherheitsmaßnahmen

- Bewahren Sie die Betriebs- und Montageanleitung ständig in der Nähe des Einsatzortes des Tischgestells auf.
- Halten Sie alle Sicherheits- und Gefahrenhinweise am Tisch (siehe Kapitel 2.2 „Verwendete Symbole am Tischgestell“, Seite 5) in lesbarem Zustand und erneuern Sie diese gegebenenfalls.

### 2.5 Hinweise zur Montage

- Die Montage des Tischgestells oder Arbeiten am Tischgestell dürfen nur durch Personen ab 16 Jahren erfolgen.
- Die Monteure müssen die Betriebs- und Montageanleitung gelesen und verstanden haben.

### 2.6 Transport und Montage

- Bewegen Sie das Tischgestell nur mit zwei Personen und in niedrigster Tischhöhe.
- Kippen oder ziehen Sie das Tischgestell nicht mit den Kufen über den Boden.
- Montieren Sie das Tischgestell nur mit dem beigegefügt Werkzeug. Nur so ist sichergestellt, dass die Schrauben einwandfrei angezogen werden.

## **2.7 Benutzung des Tischgestells**

- Lassen Sie Kinder nicht unbeaufsichtigt an das Tischgestell. Kinder können die Gefahren des Tischgestells nicht einschätzen. Es besteht die Gefahr von schweren Verletzungen mit Todesfolge. Zum Schutz von Kindern darf keine weitere Verstellung möglich sein.
- Benutzen Sie das Tischgestell nur in der dafür vorgesehenen Umgebung (siehe Kapitel 4 „Technische Daten“).
- Benutzen Sie das Tischgestell nicht auf einem unebenen Untergrund. Es besteht die Gefahr des Umkippens.
- Belasten Sie das Tischgestell nicht über das zulässige Gewicht, beachten Sie die maximal zulässige Flächenlast (siehe Kapitel 4 „Technische Daten“).

## **2.8 Besondere Gefahrenstellen**

- Beim Verstellen der Gestellhöhe besteht Verletzungsgefahr. Achten Sie bei der Verstellung des Tischgestells darauf, dass sich keine Personen in der Nähe des Tischgestells aufhalten.
- Achten Sie bei der Aufstellung des Tischgestells auf vollständige Kollisionsfreiheit (z. B. Dachschräge, bauliche Gegebenheiten, Rollcontainer, Papierkorb usw.) in allen möglichen Verstellpositionen.
- Achten Sie auch auf Kollisionsfreiheit, wenn sich Gegenstände – z. B. EDV-Geräte – auf dem Tisch befinden.
- Halten Sie einen seitlichen Sicherheitsabstand vom mindestens 25 mm zu jedem anderen Möbelstück ein.

## **2.9 Hinweise für den Notfall**

- Nehmen Sie das Tischgestell sofort außer Betrieb, wenn ungewöhnliche Vorkommnisse (Geräusche, Qualm, Rauch usw.) am Tischgestell entstehen sollten.
- Lassen Sie das Tischgestell durch einen Fachbetrieb reparieren. Nehmen Sie das Tischgestell erst wieder nach erfolgter Reparatur in Betrieb.

## **2.10 Wartung und Instandhaltung**

- Das Tischgestell und seine Bauteile sind wartungsarm und erfordern keine besondere regelmäßige Wartung.
- Führen Sie keine Reparaturen am Tisch oder den Komponenten selbst durch.
- Nehmen Sie keine baulichen Veränderungen am Tisch vor.
- Tauschen Sie defekte Komponenten des Tischgestells nur gegen neue Originalteile des Herstellers aus. Verwenden Sie bitte ausschließlich Originalersatzteile des Herstellers. Lassen Sie alle damit zusammenhängenden Arbeiten von einem Fachmann unter Beachtung der Anweisungen in dieser Betriebs- und Montageanleitung durchführen.

## **2.11 Reinigung**

- Stauben Sie das Tischgestell mit einem trockenen Lappen einmal pro Woche ab.
- Reinigen Sie das Tischgestell mit einem feuchten Tuch und mildem Reinigungsmittel alle 2 Wochen.

## **2.12 Restrisiken**

Das Tischgestell ist nach dem Stand der Technik und den anerkannten sicherheitstechnischen Regeln gebaut. Dennoch können bei Verwendung Gefahren für Leib und Leben des Benutzers oder Dritter bzw. Beeinträchtigungen am Tischgestell oder an anderen Sachwerten entstehen. Das Tischgestell ist nur zu benutzen:

- für die sachgemäße Verwendung
- in sicherheitstechnisch einwandfreiem Zustand.

### 3 Montage



**Bitte beachten Sie vor der Montage die Sicherheitshinweise in Abschnitt**

#### 3.1 Überprüfung des Lieferumfangs

- Öffnen Sie den Karton vorsichtig.
- Verwenden Sie hierzu keine langen Messerklingen. Dabei können Teile im Inneren beschädigt werden.
- Überprüfen Sie, ob alle in der Liste in Abschnitt 1.4 angegebenen Teile vorhanden sind.
- Überprüfen Sie, ob transportbedingte Beschädigungen sichtbar sind. Wenden Sie sich bei beschädigten oder falschen Komponenten an den Kundendienst (siehe Abschnitt 6).
- Versuchen Sie nicht, das gelieferte Tischgestell zu montieren, wenn Sie Beschädigungen oder einen fehlerhaften Lieferumfang feststellen.

#### 3.2 Verpackung

- Entfernen Sie die Verpackung und entsorgen Sie diese als Haus-/Papiermüll.
- Beachten Sie die nationalen Rechtsvorschriften.

#### 3.3 Hinweis zum Verschrauben der Beschläge

- Montieren Sie das Tischgestell ausschließlich unter Verwendung der mitgelieferten Werkzeuge.

#### 3.4 Montage des Tischgestells

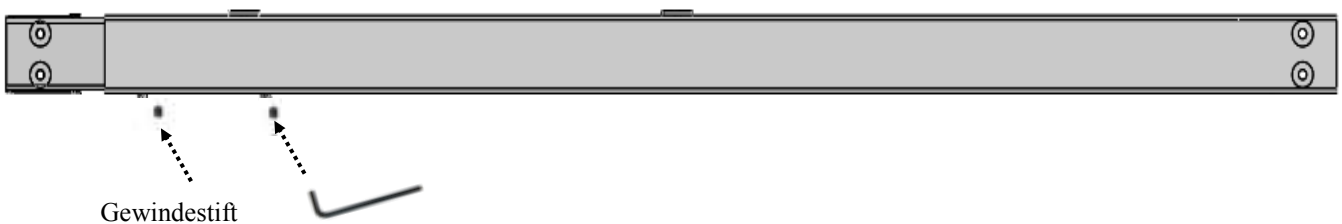
##### 3.4.1 Vormontage der Traversen

Montieren Sie folgende Komponenten:

| #    | Bezeichnung       | Menge |
|------|-------------------|-------|
| 06   | Traverse          | 1     |
| 09   | Inbusschlüssel M3 | 1     |
| 10.1 | Gewindestift M6x6 | 2     |

Empfohlene Maße:  
Gestellbreite Tischplatte

|       |        |
|-------|--------|
| 1,1 m | 120 cm |
| 1,3 m | 140 cm |
| 1,5 m | 160 cm |
| 1,7 m | 180 cm |

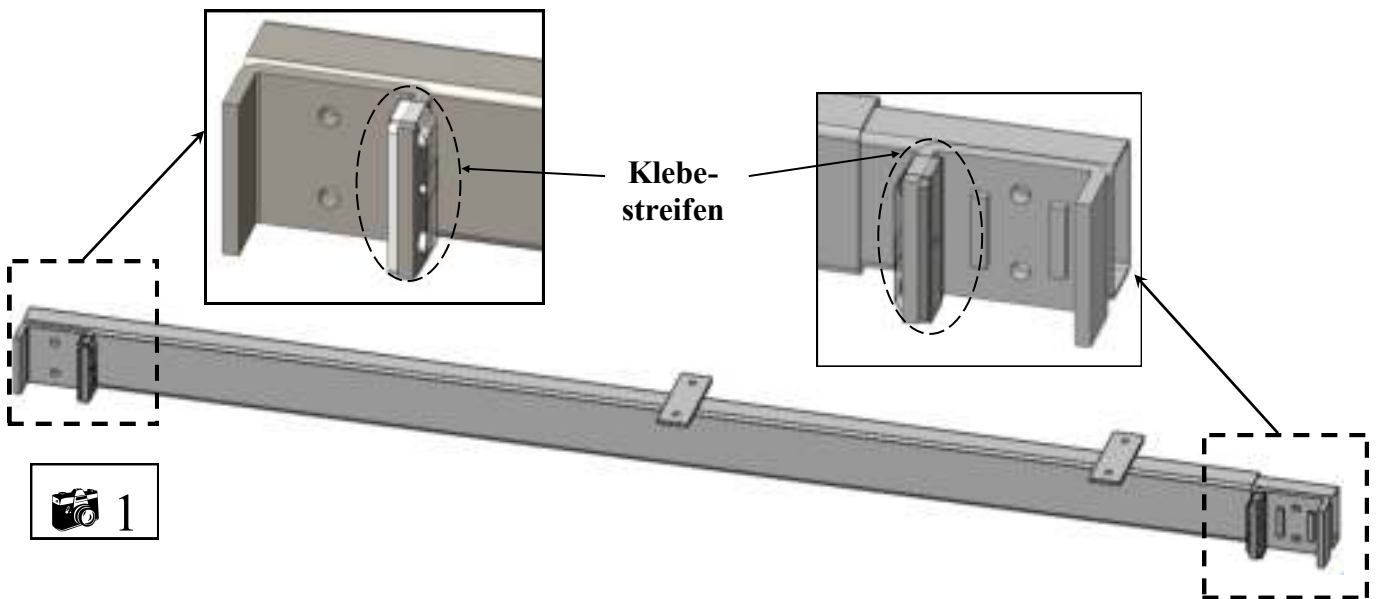


- Schrauben Sie die 2 Gewindestifte in die Gewindebohrungen.  
☞ Ziehen Sie die Gewindestifte noch nicht an!
- Ziehen Sie sie erst an, nachdem Sie die Bauteile in Schritt 3.4.7 „Einstellen der Gestellbreite“ auf Seite 17 montiert haben.

### 3.4.2 Montage der Traverse

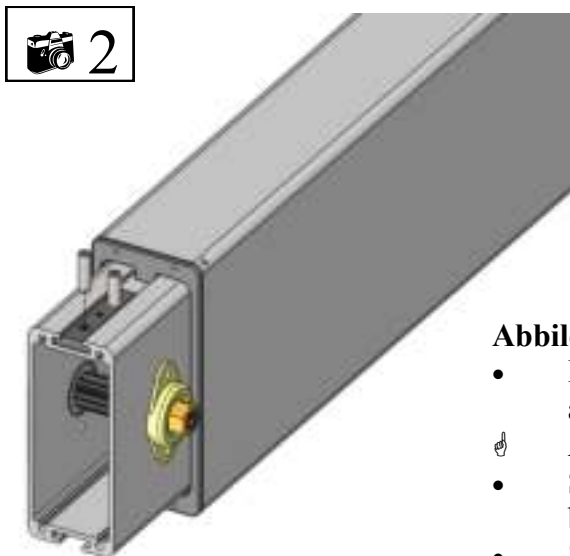
Montieren Sie folgende Komponenten:

| #    | Bezeichnung           | Menge |
|------|-----------------------|-------|
| 01   | Bein                  | 2     |
| 06   | Vormontierte Traverse | 1     |
| 09   | Rohrschlüssel M10     | 1     |
| 09   | Inbusschlüssel M3     | 1     |
| 10.2 | Gewindestift M6x20    | 4     |
| 10.3 | Flanschmutter M6      | 4     |



**Abbildung 1**

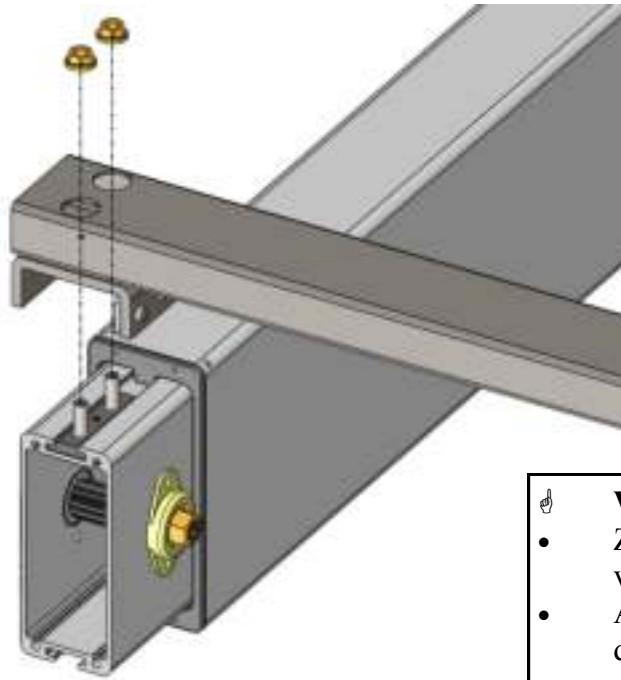
- Ziehen Sie den durchsichtige Schutzfolie der Klebestreifen von der Klammer der Traverse ab, bevor Sie sie an das Bein montieren.



**Abbildung 2**

- Legen Sie ein Bein flach auf den Fußboden und das andere Bein parallel daneben.
- ☞ Achten Sie darauf, dass die Nutsteine nach oben zeigen.
- Schrauben Sie die 2 Gewindestifte in die Nutsteine der beiden Beine.
- Ziehen Sie die Gewindestifte mit Hilfe des Inbusschlüssels M3 fest an.



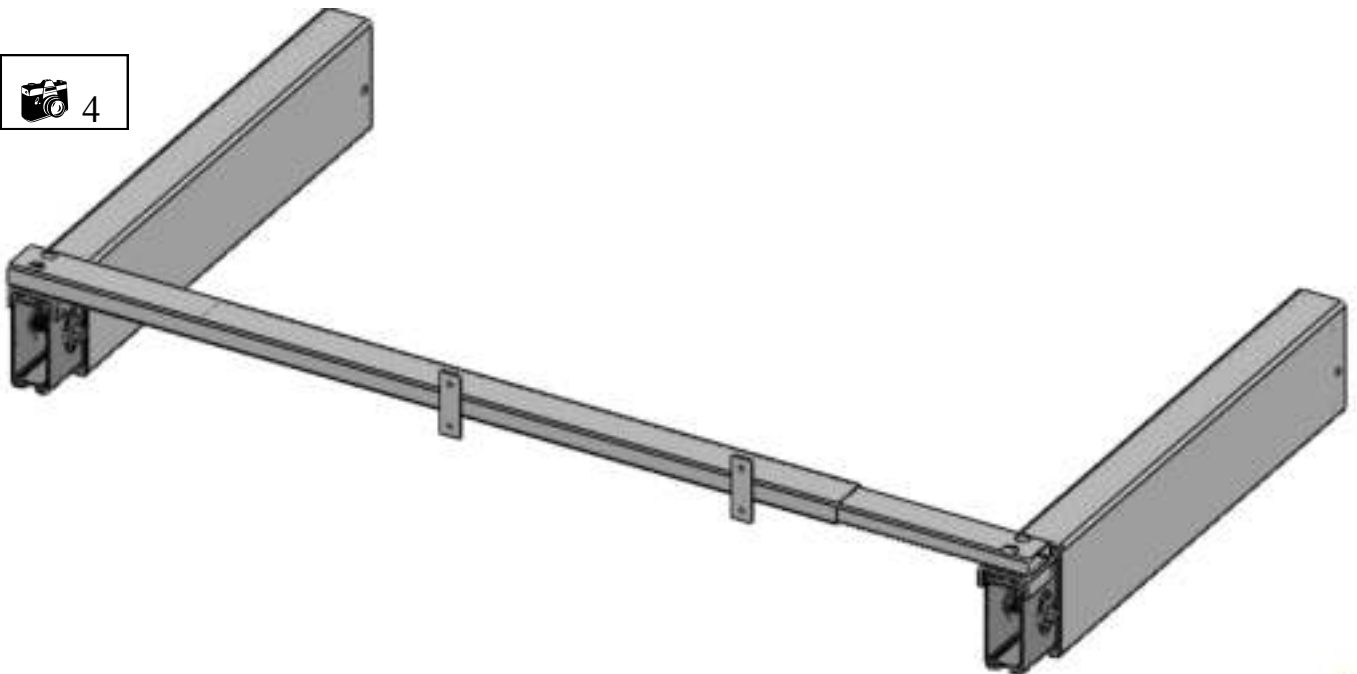


☞ **Wichtig!!!**

- Ziehen Sie die Flanschmutter nicht vollständig an.
- Achten Sie darauf, dass die Platte in der Klammer der Traverse nicht

**Abbildung 3**

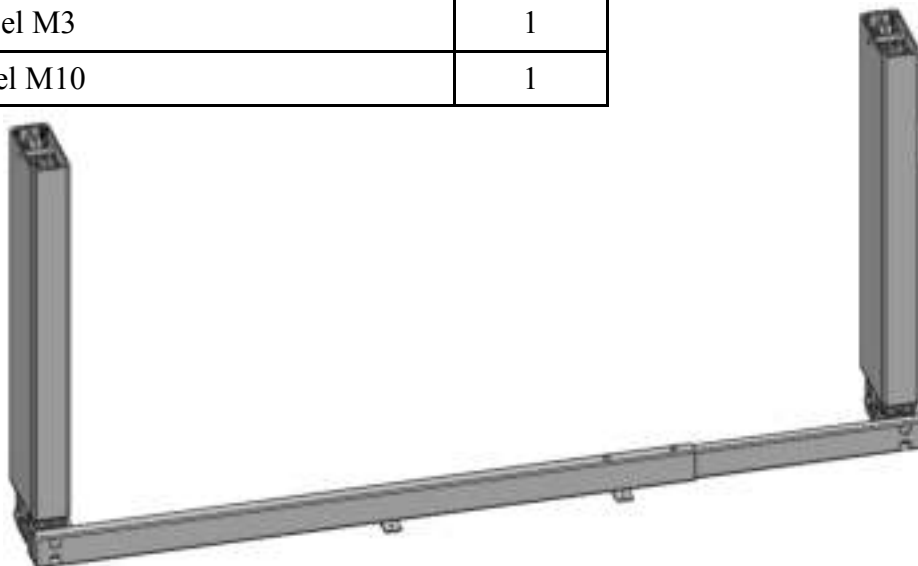
- Stecken Sie die vormontierte Traverse auf die Gewindestifte.
- Setzen Sie die 4 Flanschmuttern auf die Gewindestifte.
- Ziehen Sie die 4 Flanschmuttern mit dem Rohrschlüssel M10 handfest an.



### 3.4.3 Montage der Kufen

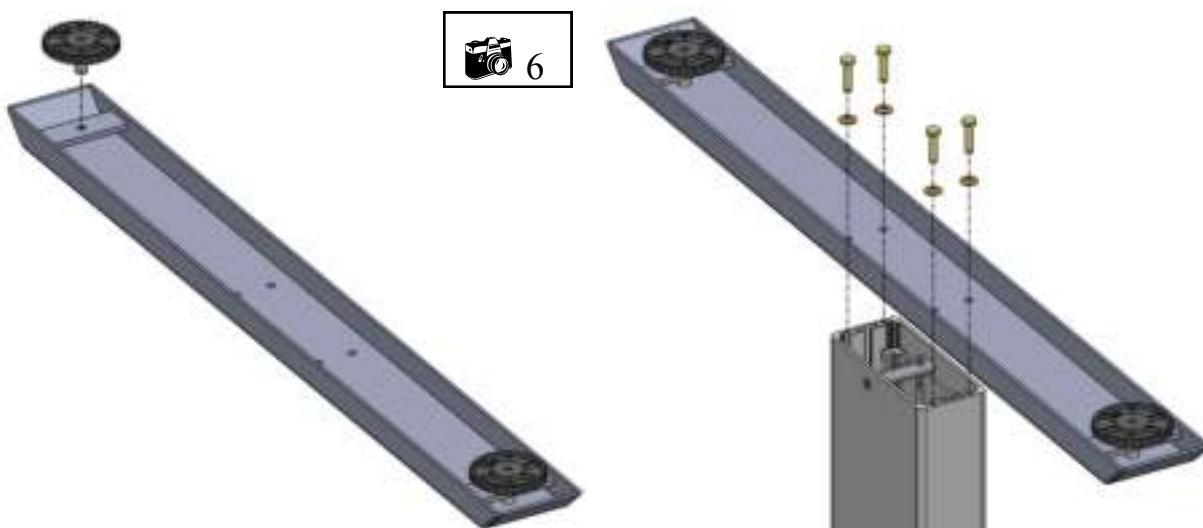
Montieren Sie folgende Komponenten:

| #    | Bezeichnung                              | Menge |
|------|--|-------|
| 03   | Kufe                                     | 2     |
| 08   | Niveaugleiter                            | 4     |
| 09   | Montageschlüssel M10 / Rohrschlüssel M10 | 1     |
| 10.4 | Sechskantschraube M6x25                  | 8     |
| 10.5 | Unterlegscheibe M6                       | 8     |
| 09   | Inbusschlüssel M3                        | 1     |
| 09   | Rohrschlüssel M10                        | 1     |



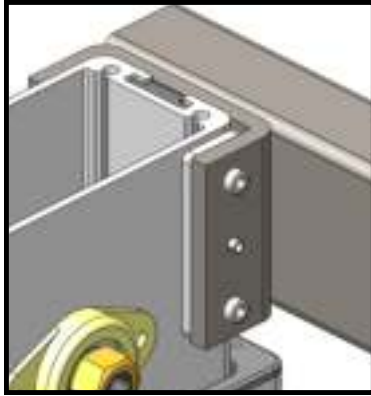
**Abbildung 5**

- Drehen Sie jetzt die Beine mit der Traverse um (mit 2 Personen). Die obere Traverse ist jetzt dicht über dem Fußboden.
- ☞ Stellen Sie sicher, dass die vormontierten Beine nicht umfallen können.

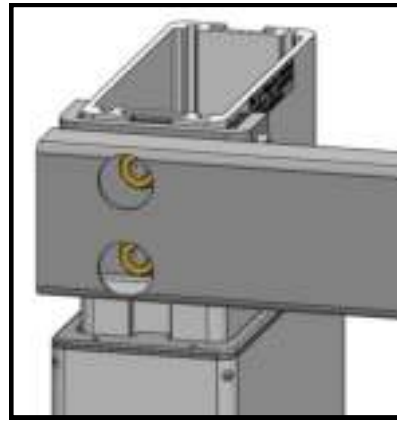


**Abbildung 6**

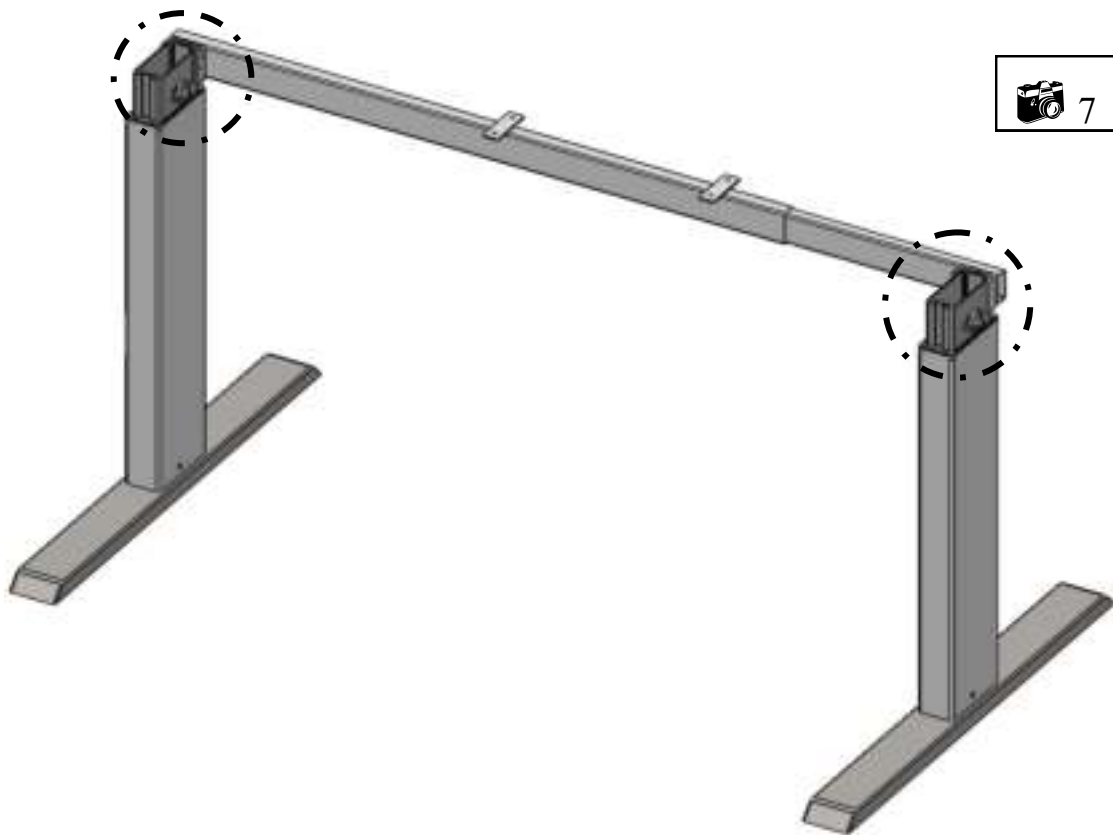
- Setzen Sie jeweils zwei Niveaugleiter unten in jede Kufe.
- Positionieren Sie die Kufen wie auf Abbildung 6 zu sehen in Relation zu der Traverse.
- Montieren Sie die Kufen mithilfe von je vier Schrauben und Unterlegscheiben an dem jeweiligen Bein.
- Ziehen Sie die 8 Schrauben mit dem Montageschlüssel M10 / Rohrschlüssel M10 fest.



Ziehen Sie die  
Gewindestifte fest



Ziehen Sie die  
Flanschmuttern fest.



#### **Abbildung 7**

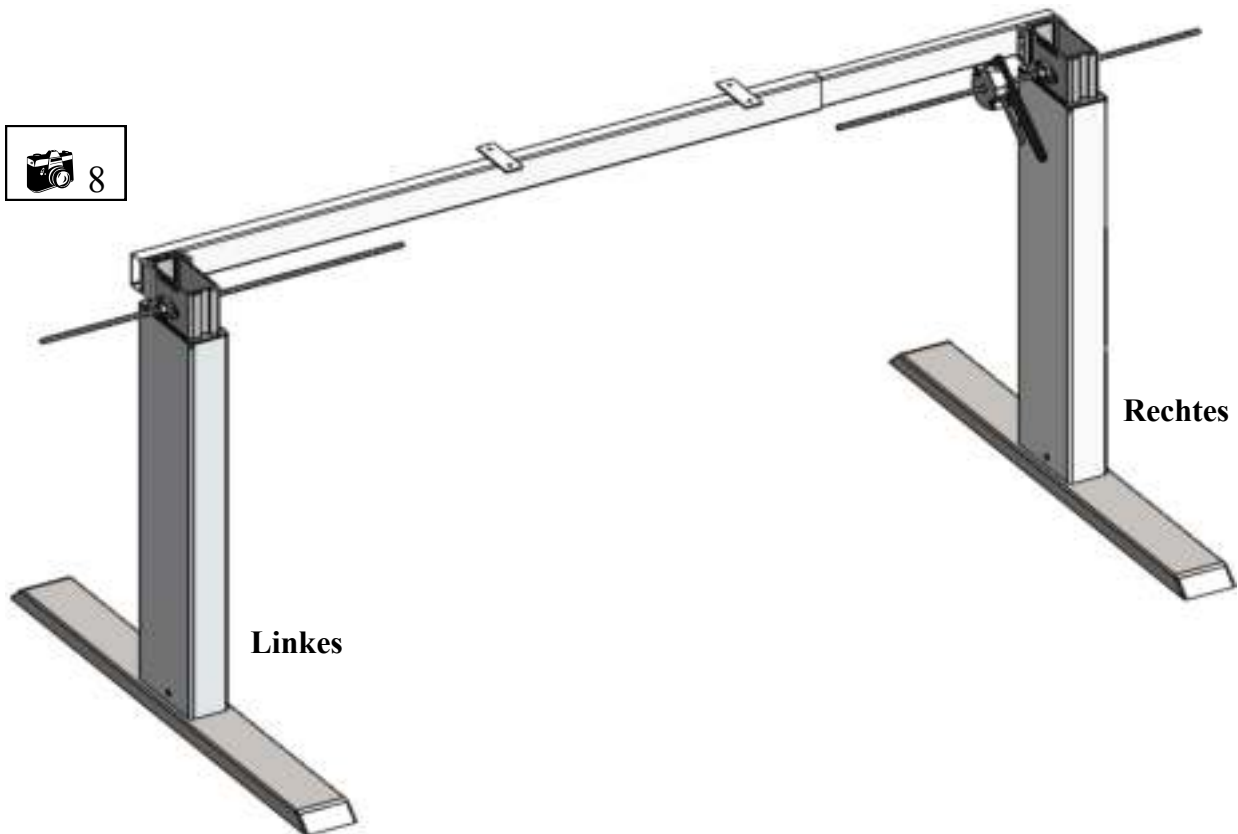
- Stellen Sie das Gestell jetzt auf die Kufen (mit 2 Personen).
- Jetzt nur noch:-
  - die 4 Gewindestifte an der Klammer der Traverse mit Hilfe des Inbusschlüssels M3 **FEST** anziehen.
  - die 4 Flanschmuttern an der Traverse mit Hilfe des Rohrschlüssels M10 **FEST** anziehen.

### 3.4.4 Montage der Antriebswelle

Montieren Sie folgende Komponenten:

| #  | Bezeichnung          | Menge |
|----|----------------------|-------|
| 04 | Sechskantstab        | 2     |
| 05 | Verbindungsstück     | 1     |
| 09 | Montageschlüssel M10 | 1     |
| 12 | Getriebe             | 1     |

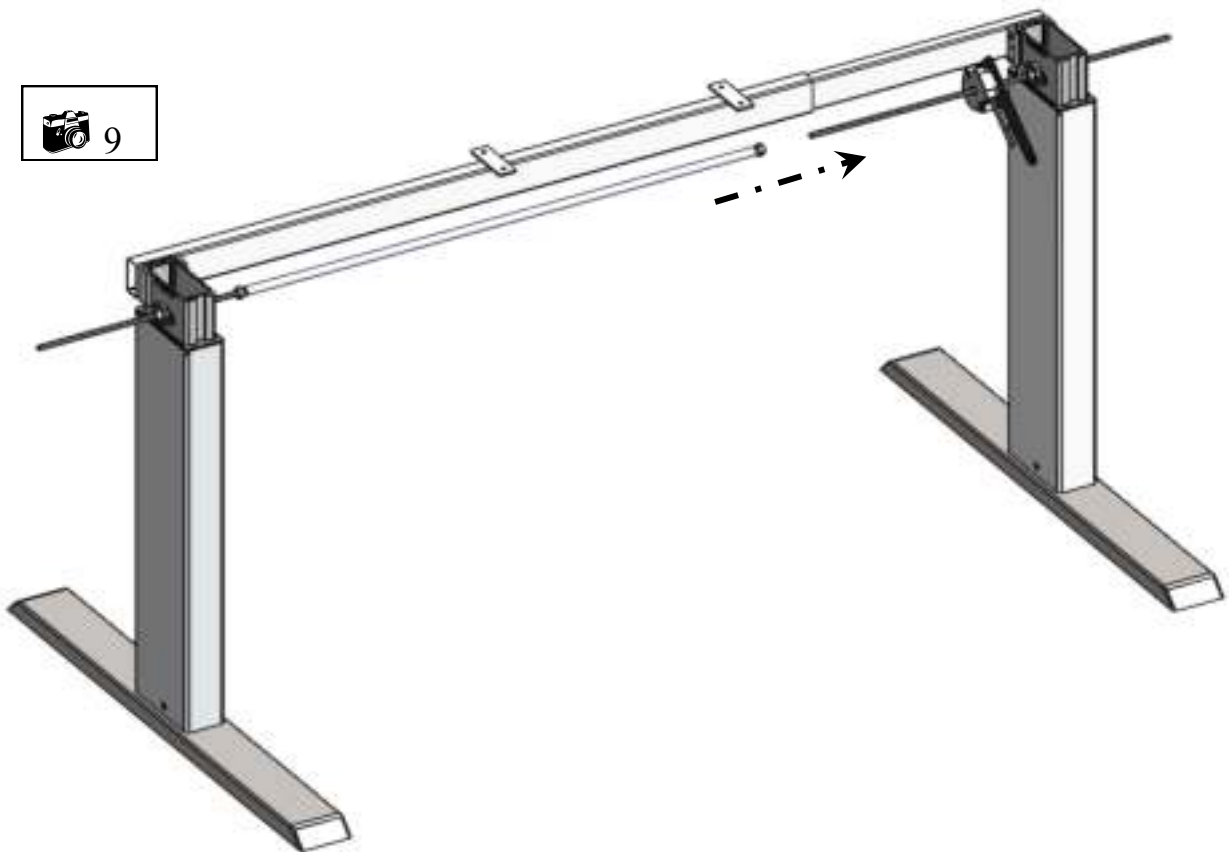
- ☞ Achten Sie darauf, dass die Beine in der untersten Position sind (Nullstellung).
- ☞ Kontrollieren Sie, ob sich alle Bauteile in der Originalverpackung befinden.



**Abbildung 8**

- Schieben Sie den ersten Sechskantstab von außen durch die sechskantförmigen Öffnungen in das linke Bein ca. 15 cm in das Gestell.
- Schieben Sie den zweiten Sechskantstab von außen durch die sechskantförmigen Öffnungen in das rechte Bein ca. 15 cm in das Gestell.
- Schieben Sie das Getriebe über den zweiten Sechskantstab.

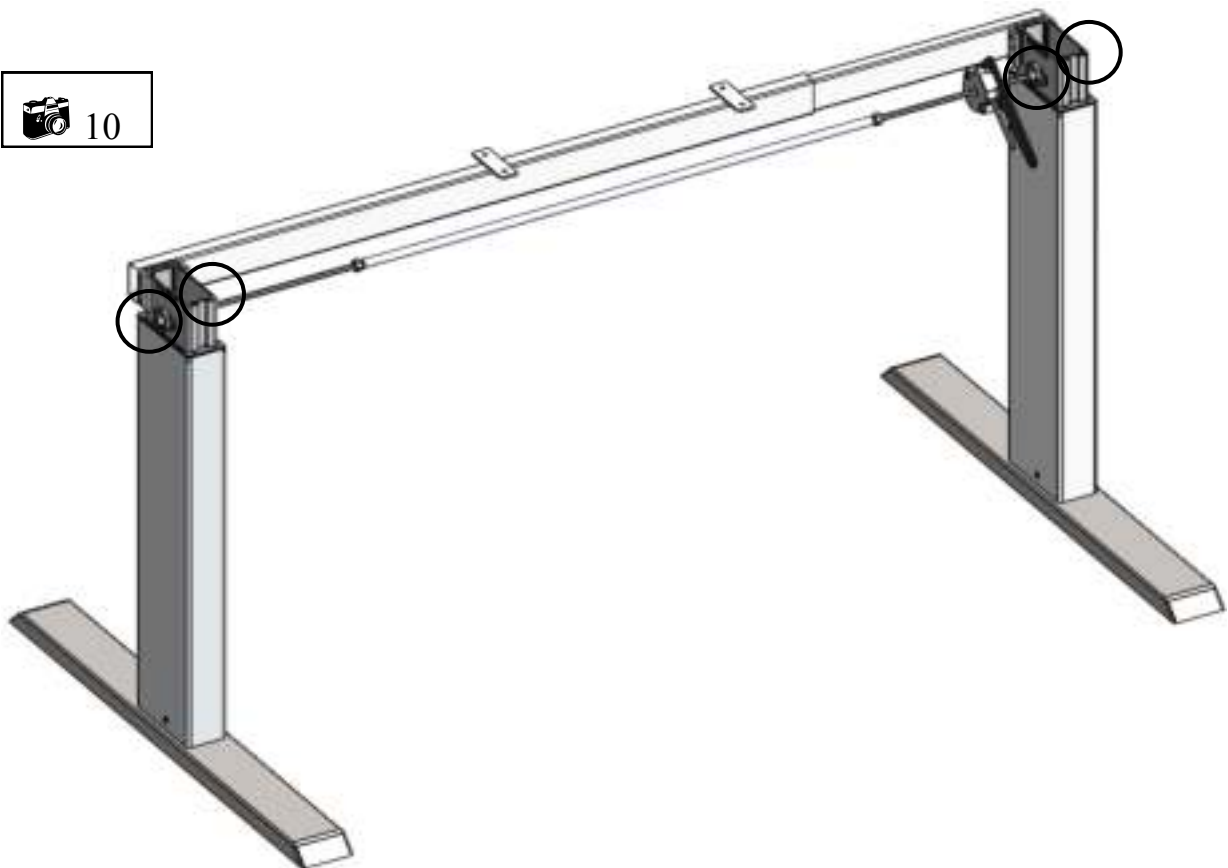
 9



**Abbildung 9**

- Schieben Sie das Verbindungsstück über beide Sechskantstäbe.

 10



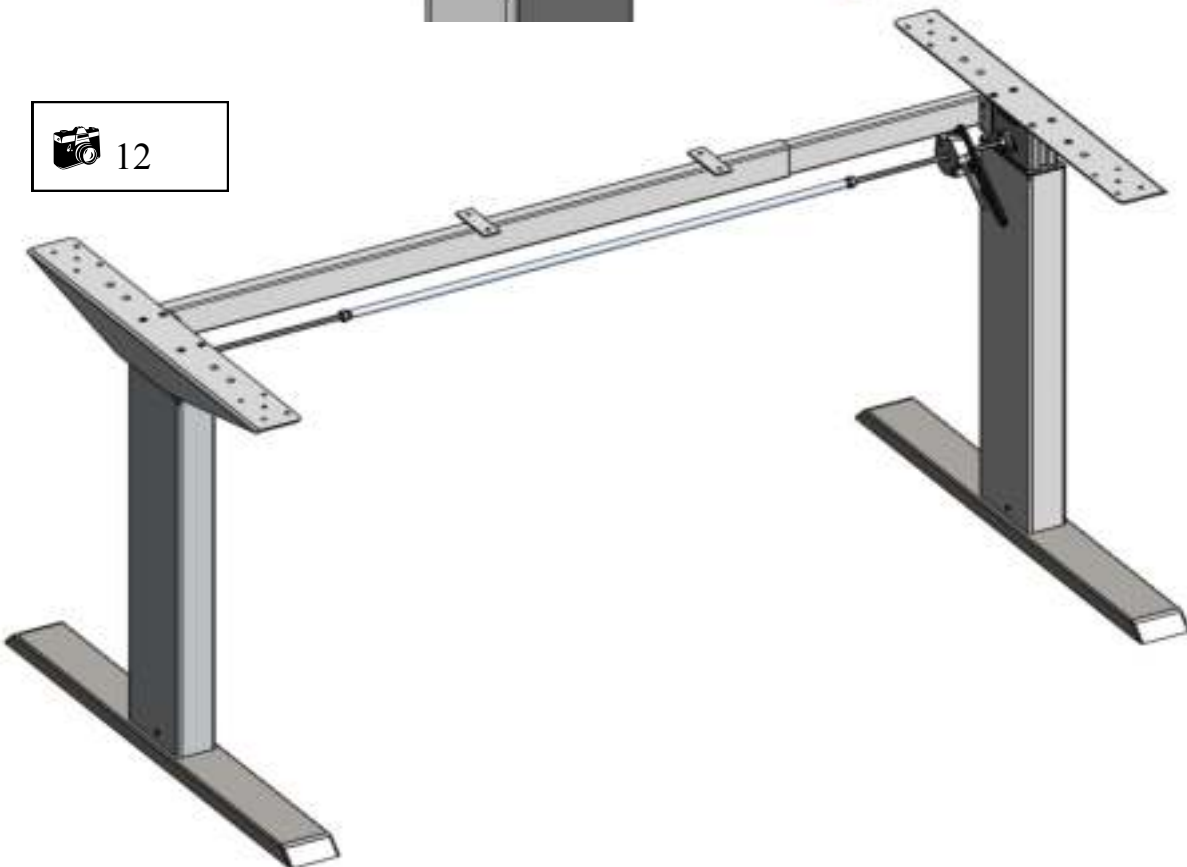
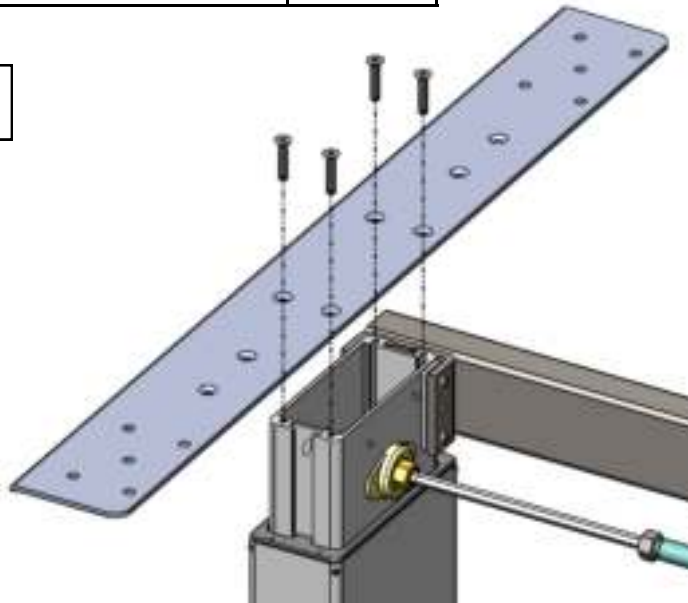
**Abbildung 10**

- Schieben Sie die beiden Sechskantstäbe soweit in das Gestell hinein, bis sie beide bündig mit der Außenseite der beiden Beine abschließen.
- Ziehen Sie die Muttern am Bein fest.

### 3.4.5 Montage der Plattenträger

Montieren Sie folgende Komponenten:

| #    | Bezeichnung            | Menge |
|------|------------------------|-------|
| 02   | Plattenträger          | 2     |
| 09   | Inbusschlüssel M3      | 1     |
| 10.7 | Senkkopfschraube M5x25 | 8     |



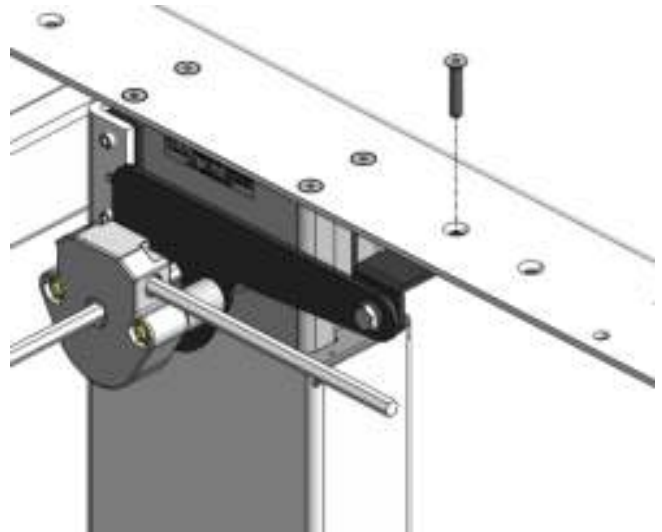
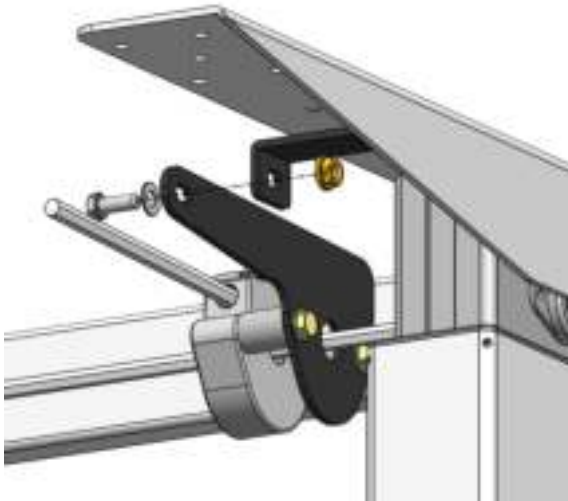
#### Abbildung 11 & 12

- Positionieren Sie den Plattenträger wie auf Abbildung 11 zu sehen in Relation zu der Traverse.
- Montieren Sie die Plattenträger mithilfe von je vier Senkkopfschrauben an jeweils einem Bein.
- Ziehen Sie die 8 Schrauben mit Hilfe des Inbusschlüssels M3 an.

### 3.4.6 Montage der Handkurbel

Montieren Sie folgende Komponenten:

| #    | Bezeichnung              | Menge |
|------|--------------------------|-------|
| 07   | L-Winkel                 | 1     |
| 10.7 | Senkkopfschraube M5x25   | 1     |
| 09   | Inbusschlüssel M3 & M2.5 | 1     |
| 09   | Montageschlüssel M10     | 1     |
| 10.6 | Schraube M6x16           | 1     |
| 10.5 | Unterlegscheibe M6       | 1     |
| 10.3 | Flanschmutter M6         | 1     |
| 11   | Handkurbelbaugruppe      | 1     |

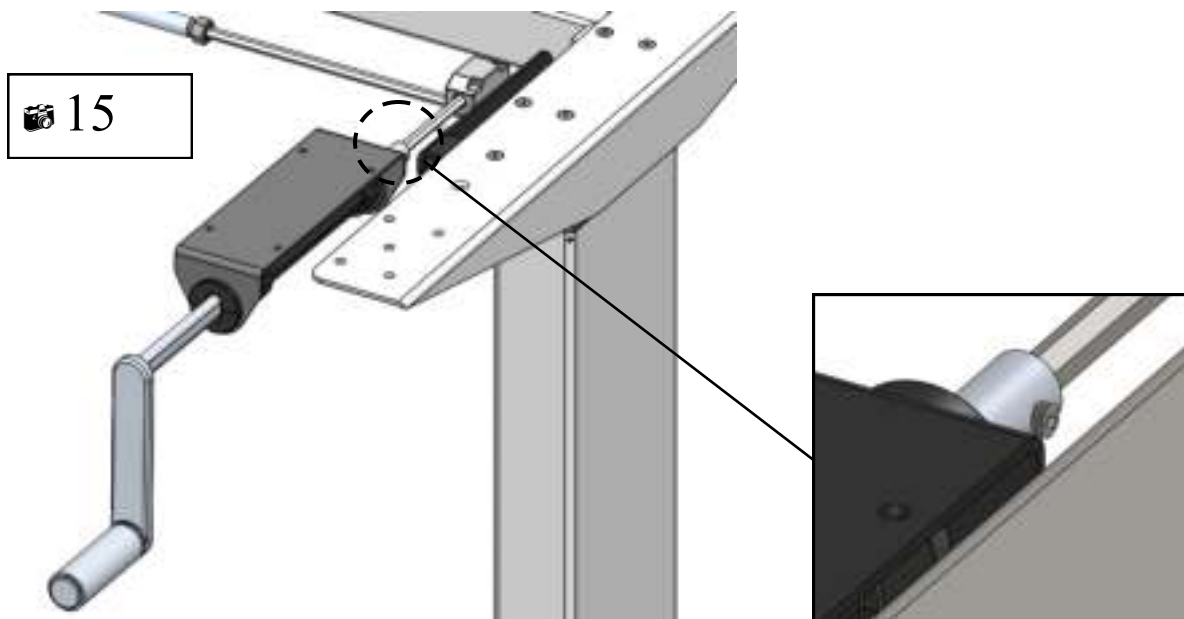


#### Abbildung 13

- Stecken Sie eine Sechskantschraube M6x16 mit einer Unterlegscheibe durch die entsprechende Öffnung im Getriebe.
- Schieben Sie den L-Winkel über die bereits gesetzte Schraube (zwischen das Getriebe und den Plattenträger).
- Schrauben Sie die Flanschmutter wie abgebildet auf die Schraube.

#### Abbildung 14

- Richten Sie das Getriebe so auf den Plattenträger aus, dass die Öffnung des L-Winkels mit der Öffnung im Plattenträger übereinstimmt.
- Schrauben Sie den L-Winkel mit der Senkkopfschraube M5x25 an.



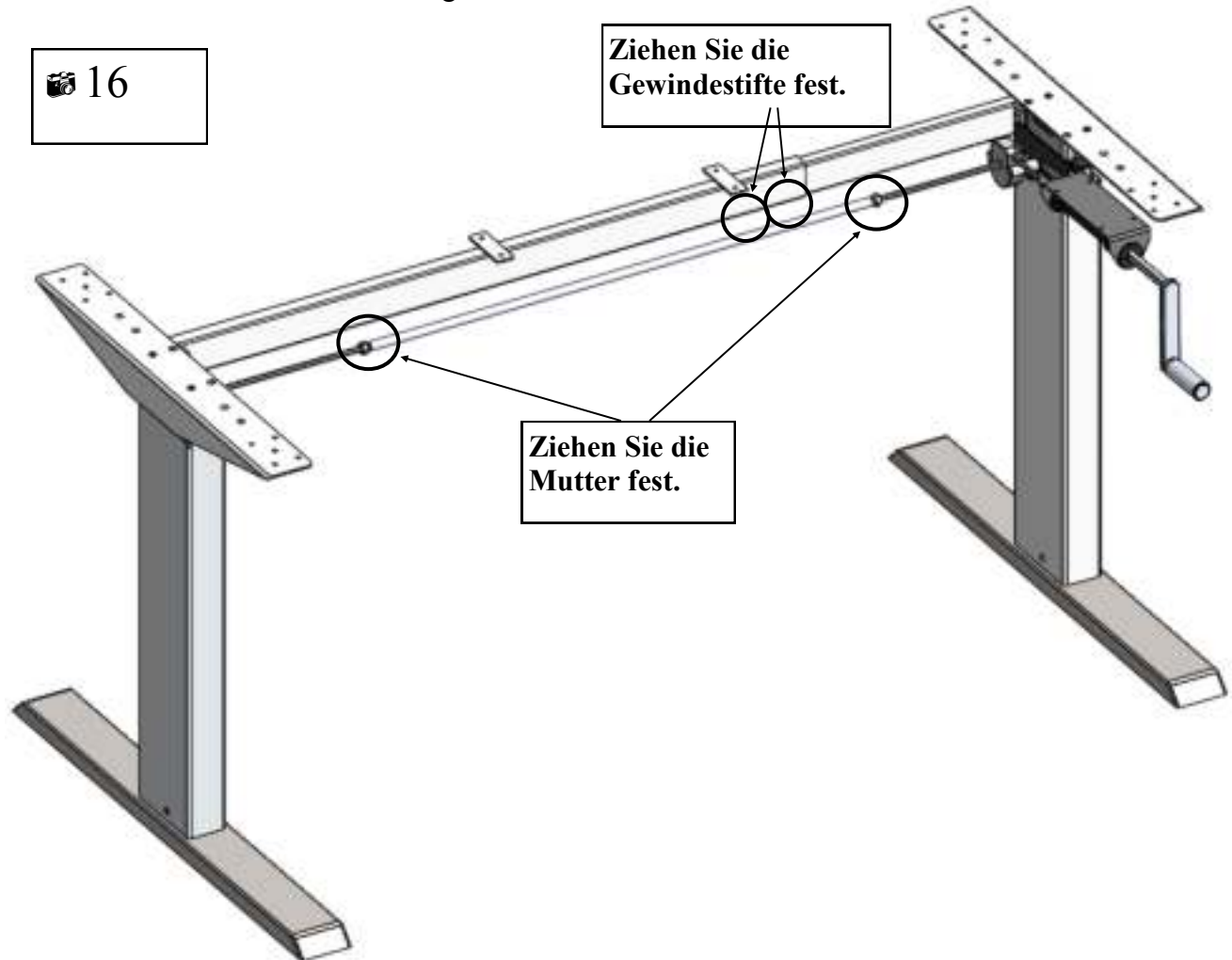
**Abbildung 15**

- Schieben Sie die Handkurbelbaugruppe über den Stab und ziehen Sie den Gewindestift mit dem Inbus schlüssel M2.5 an.

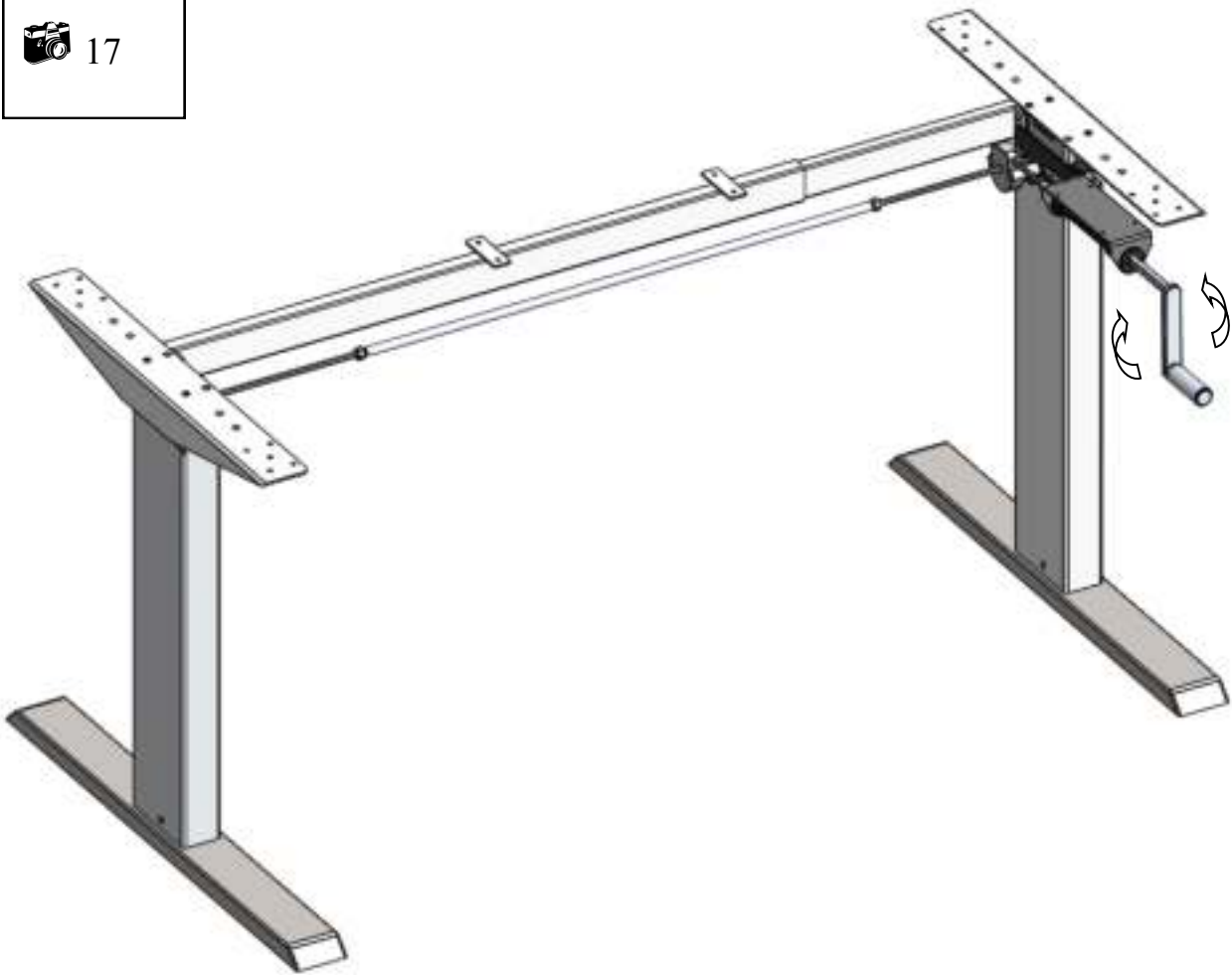


### 3.4.7 Einstellen der Gestellbreite

- Ziehen Sie das Gestell auf die erforderliche Breite aus (siehe Kapitel 3.4.1 „Vormontage der Traversen“).
- Ziehen Sie erst jetzt die Gewindestifte in der unteren Traverse sowie die Gegenmutter an der Antriebswelle mit dem Montageschlüssel M10 an.




### 3.4.8 Test und Inbetriebnahme des Tischgestells

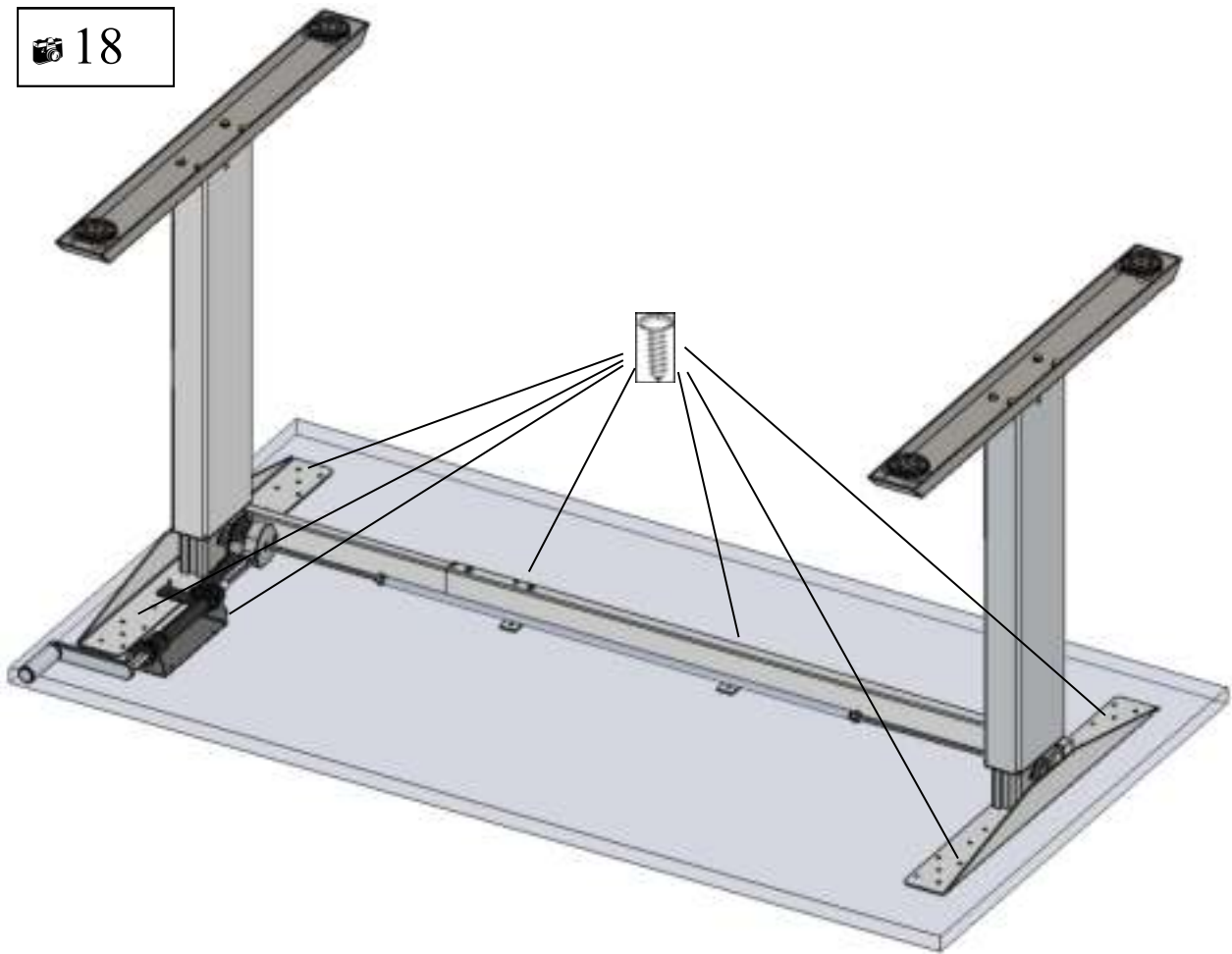


**Achten Sie darauf, dass alle Bewegungen des Tischgestells sanft und ruckfrei erfolgen. Sollte dies nicht der Fall sein, informieren Sie den Kundendienst (siehe Kapitel 6).**

### 3.4.9 Montage der Tischplatte

Schauen Sie in die separate Montageanleitung der Tischplatte.

 18



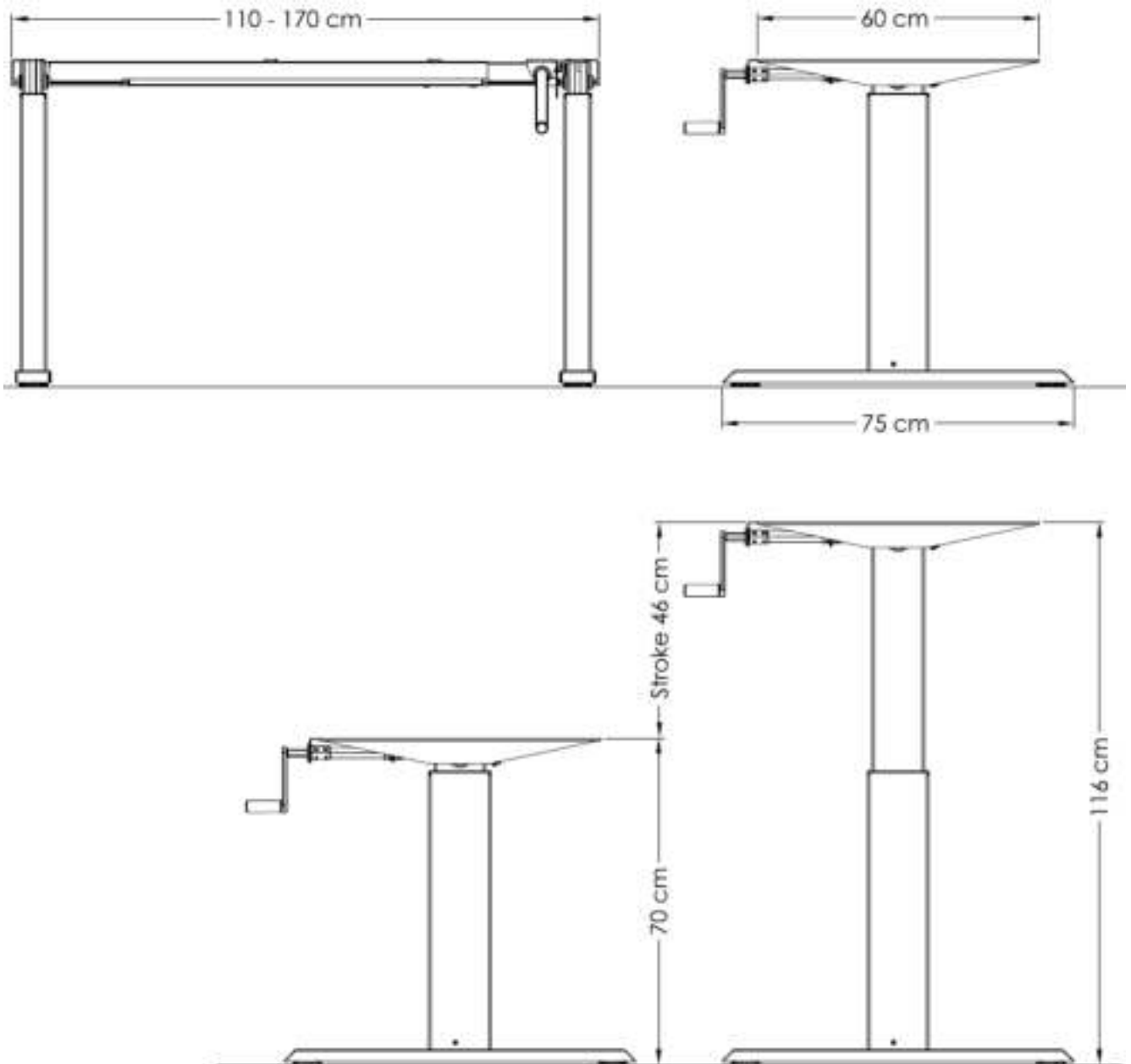
## 4 Technische Daten

### Manuell verstellbares Tischgestell

|  |                                 |
|--|---------------------------------|
| Version der Betriebs- und Montageanleitung                     | P19302-2EN-DE-NL-FR             |
| Baujahr  | 2020                            |
| Ursprungsland  | Malaysia                        |
| System   | 1-stufig, externer Antrieb      |
| Material   | Aluminium, Stahl und Kunststoff |
| Hub (max.)   | 46 cm                           |
| Gestellbelastung (max.)  | 60 kg                           |
| Gestellgewicht   | ± 21 kg                         |
| Umgebungstemperatur Betrieb                                    | 15 - 30 °C                      |
| Umgebungstemperatur Lagerung                                   | 10 - 50 °C                      |
| Luftfeuchtigkeit Betrieb                                       | <85 %                           |
| Luftfeuchtigkeit Lagerung                                      | <50 %                           |
| Maximale Lagerzeit   | -                               |
| Nicht im Freien verwenden – nur für Gebrauch in Innenräumen!!! |                                 |


## 4 Technische Daten

(\* Allg. Toleranz =  $\pm 1$  cm)




|                            |            |
|----------------------------|------------|
| Minimale Gestellhöhe       | 70 cm      |
| Maximale Gestellhöhe       | 116 cm     |
| Maximaler Hub              | 46 cm      |
| Gestellbreite              | 110–170 cm |
| Gestelltiefe               | 75 cm      |
| Minimale Tischplattentiefe | 60 cm      |
| Maximale Gestellbelastung  | 60 kg      |

## 5 Betriebshinweise

|   |  |
|---|--|
|  | <p><b>Beachten Sie die Bestimmungen im Abschnitt 2 „Sicherheitshinweise“ auf Seite 5, insbesondere:</b></p> <p><b>Lassen Sie Kinder nicht unbeaufsichtigt an das Tischgestell. Kinder können die Gefahren des Tischgestells nicht einschätzen. Es besteht die Gefahr von schweren Verletzungen mit Todesfolge. Überschreiten Sie nicht die maximale zeitliche Verzögerung des Gestells.</b></p> <p><b>Achten Sie auch auf Kollisionsfreiheit, wenn sich Gegenstände – z. B. EDV-Geräte – auf dem Tisch befinden.</b></p> |
|---|--|

### 5.1 Fehlfunktionen

|   |   |
|---|---|
|  | <p><b>Entfernen Sie sich umgehend aus der unmittelbaren Umgebung des Gestells, wenn dieses sich ohne Bedienung bewegen sollte. Versuchen Sie auf keinen Fall, das Tischgestell zu verwenden. Lassen Sie das Tischgestell durch einen Fachbetrieb reparieren.</b></p> <p><b>Nehmen Sie das Tischgestell erst wieder nach erfolgter Reparatur in Betrieb. Nehmen Sie das Tischgestell sofort außer Betrieb, wenn ungewöhnliche Vorkommnisse (Geräusche, Qualm, Rauch usw.) am Tischgestell entstehen sollten. Lassen Sie das Tischgestell durch einen Fachbetrieb reparieren. Nehmen Sie das Tischgestell erst wieder nach erfolgter Reparatur in Betrieb.</b></p> <p><b>Stellen Sie die Verwendung des Tischgestells umgehend ein, wenn die Sicherheitsvorrichtungen (z. B. Schlüsselschalter, Endschalter) nicht mehr ordnungsgemäß arbeiten.</b></p> |
|---|---|

## 6 Kundendienst

Geben Sie bei der Kontaktaufnahme mit Ihrem Händler stets den Tischgestelltyp an.

|                 |
|-----------------|
| <i>Händler:</i> |
|-----------------|

## 7 Hersteller

|   |
|---|
| <b>Actiforce International B.V.</b><br><br>Het Steenland 20<br>3751 LA Bunschoten-Spakenburg<br>The Netherlands<br><br>+31 (0)33 4600120<br>www.actiforce.com<br>info.holland@actiforce.com |
|---|

## 8 Entsorgung

### 8.1 Demontage des Tischgestells

- Führen Sie für eine Demontage die Schritte in der Anleitung in umgekehrter Reihenfolge durch oder wenden Sie sich an den Kundendienst.

### 8.2 Recycling

- Demontieren Sie das Tischgestell nach Werkstoffen getrennt und entsorgen Sie diese umweltgerecht. Beachten Sie nationale Vorschriften!





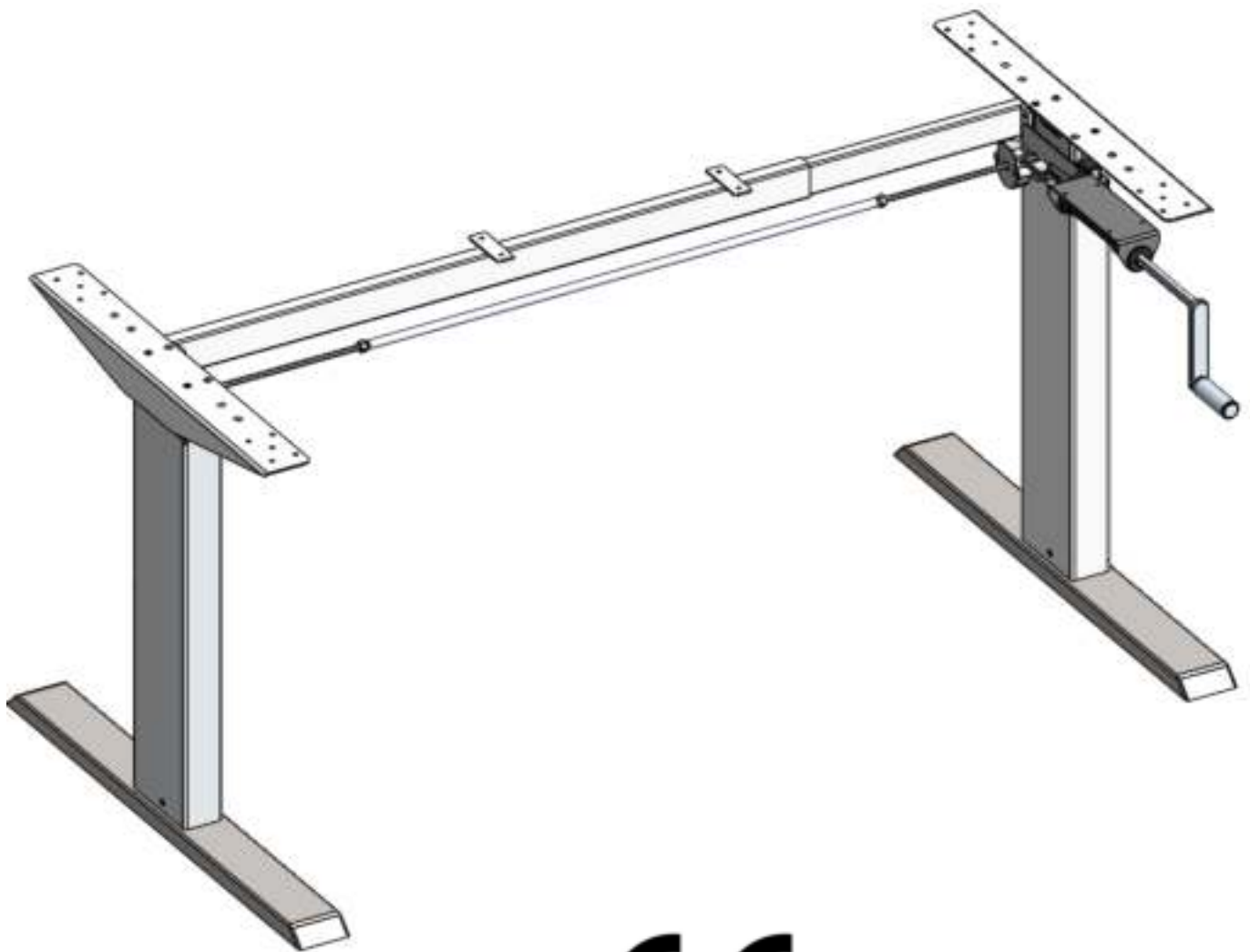
English

Deutsch

**Nederlands**

Français

# ***ALUFORCE PRO 140 CL Diecast HC***



**CE**

## **MONTAGEHANDLEIDING**

Lees deze handleiding aandachtig door en bewaar deze goed.

P19302-2EN-DE-NL-FR

# Inhoudsopgave

|          |   |              |
|----------|---|--------------|
| <b>1</b> | <b>ALGEMEEN</b> .....                                     | <b>3</b>     |
| 1.1      | Het belang van de montage- en bedieningshandleiding ..... | 3            |
| 1.2      | Beoogd gebruik .....                                      | 3            |
| 1.3      | Onjuist gebruik .....                                     | 3            |
| 1.4      | Inhoud verpakking.....                                    | 4            |
| <b>2</b> | <b>VEILIGHEIDSINSTRUCTIES</b> .....                       | <b>5</b>     |
| 2.1      | Verklaring symbolen en instructies .....                  | 5            |
| 2.2      | Gebruikte symbolen op het frame .....                     | 5            |
| 2.3      | Organisatorische maatregelen .....                        | 5            |
| 2.4      | Informele veiligheidsmaatregelen .....                    | 5            |
| 2.5      | Vereisten aan de monteurs .....                           | 5            |
| 2.6      | Transport en montage .....                                | 5            |
| 2.7      | Gebruik van het frame .....                               | 6            |
| 2.8      | Specifieke gevaren .....                                  | 6            |
| 2.9      | Instructies voor noodgevallen .....                       | 6            |
| 2.10     | Onderhoud en instandhouding .....                         | 6            |
| 2.11     | Reiniging .....   | 6            |
| 2.12     | Overige risico's .....                                    | 6            |
| <b>3</b> | <b>MONTAGE</b> .....                                      | <b>7</b>     |
| 3.1      | Controleren op volledigheid van levering .....            | 7            |
| 3.2      | Verpakking en verwijdering.....                           | 7            |
| 3.3      | Draaimomenten van de gebruikte schroeven .....            | 7            |
| 3.4      | Montage van het frame .....                               | 7            |
| 3.4.1    | Voormontage van de crossbar .....                         | 7            |
| 3.4.2    | Montage van de crossbar .....                             | 8-9          |
| 3.4.3    | Montage van de voeten .....                               | 10-11        |
| 3.4.4    | Montage van de aandrijf-as .....                          | 12-13        |
| 3.4.5    | Montage van de bladdragers.....                           | 14           |
| 3.4.6    | Montage van de handslinger.....                           | 15-16        |
| 3.4.7    | Instellen van de frame-breedte .....                      | 17           |
| 3.4.8    | Frame-test zonder werkblad .....                          | 18           |
| 3.4.9    | Montage van het werkblad .....                            | 19           |
| <b>4</b> | <b>TECHNISCHE SPECIFICATIES</b> .....                     | <b>20-21</b> |
| <b>5</b> | <b>BEDIENING EN GEBRUIKSAANWIJZINGEN</b> .....            | <b>22</b>    |
| 5.1      | Gebruiksaanwijzingen .....                                | 22           |
| <b>6</b> | <b>KLANTENSERVICE</b> .....                               | <b>23</b>    |
| <b>7</b> | <b>FABRIKANT</b> .....                                    | <b>23</b>    |
| <b>8</b> | <b>RECYCLING</b> .....                                    | <b>23</b>    |
| 8.1      | Demontage van het frame .....                             | 23           |
| 8.2      | Recycling .....   | 23           |

## 1. Algemeen

### 1.1 Het belang van de montage- en bedieningshandleiding

Kennis van de fundamentele veiligheidsinstructies en -voorschriften is de basisvoorwaarde voor een veilige omgang met en een storingsvrije werking van dit frame. Deze montage- en bedieningshandleiding bevat de belangrijkste informatie die nodig is voor een veilige montage en bediening van het frame. Deze montage- en bedieningshandleiding, met name de hierin opgenomen veiligheidsinstructies, moet in acht genomen worden door iedereen die het frame opbouwt en werkzaamheden verricht aan de gemonteerde werkplek. Bovendien moeten de regels en voorschriften, met betrekking tot het voorkomen van ongevallen op de locatie waar het frame moet worden gebruikt, te allen tijde worden nageleefd.

### 1.2 Beoogd gebruik

Het frame mag uitsluitend worden gebruikt als een handmatig in hoogte verstelbare zit/sta werkplek op kantoor of in andere afgesloten ruimtes. Het frame is dus slechts voor dit gebruiksdoel bestemd. Neem de bepalingen van hoofdstuk 2, Veiligheidsinstructies, in acht. Kinderen die niet onder toezicht staan, zijn zich mogelijk niet bewust van de gevaren die uitgaan van het frame. Voor hieruit voortvloeiende schades kan de fabrikant op geen enkele wijze aansprakelijk worden gehouden.

Onder beoogd gebruik valt tevens:

- inachtneming van alle informatie uit de montage- en bedieningshandleiding en
- het verbod op iedere aanbouw aan en verbouw van het frame.

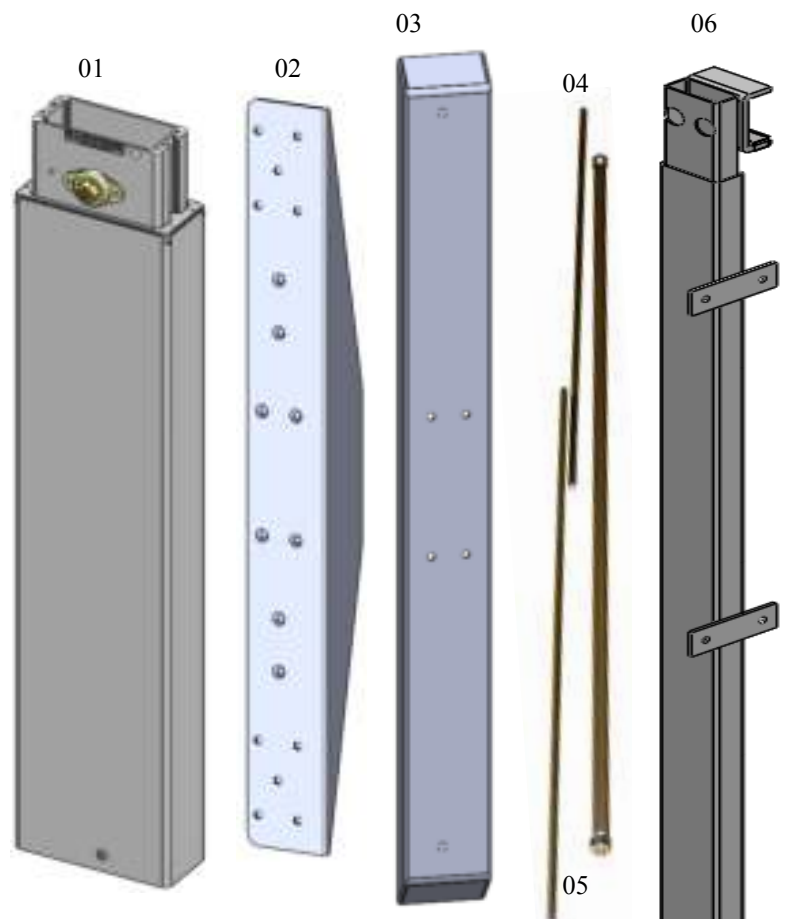
### 1.3 Onjuist gebruik

- **Gebruik het frame nooit om personen of lasten te heffen!!!**
- Zorg dat de maximale belasting van het frame niet overschreden wordt (zie hoofdstuk 4, Technische Specificaties).

**WAARSCHUWING: bij eventuele wijzigingen of aanpassingen die niet uitdrukkelijk door de fabrikant zijn goedgekeurd, vervalt de garantie en is de gebruiker niet meer gemachtigd om het frame te gebruiken.**

## 1.4 Inhoud verpakking

| #  | Onderdeel                 | Aantal |
|----|---------------------------|--------|
| 01 | Been                      | 2      |
| 02 | Bladdrager                | 2      |
| 03 | Voet                      | 2      |
| 04 | Aandrijfjas               | 2      |
| 05 | Koppelbuis                | 1      |
| 06 | Crossbar                  | 1      |
| 07 | L-Beugel                  | 1      |
| 08 | Stelvoeten                | 4      |
| 09 | Gereedschap               | 1      |
| 10 | Montage-<br>onderdelenset | 1      |
| 11 | Hand slinger              | 1      |
| 12 | Gearbox                   | 1      |





|      |  |     |                      |
|------|--|-----|----------------------|
| 10.1 |  | 2x  | Stelschroef M6x6     |
| 10.2 |  | 4x  | Stelschroef M6x20    |
| 10.3 |  | 6x  | Kraagmoer M6         |
| 10.4 |  | 8x  | Zeskantschroef M6x25 |
| 10.5 |  | 9x  | Ring M6              |
| 10.6 |  | 1x  | Zeskantschroef M6x16 |
| 10.7 |  | 9x  | CSK schroef M5x25    |
| 10.8 |  | 26x | Schroef 4.5x16       |





## 2 Veiligheidsinstructies

### 2.1 Verklaring symbolen en instructies

In deze handleiding worden de volgende aanduidingen en symbolen voor gevaren gebruikt:

|   |  |
|---|--|
|  | Dit symbool betekent een rechtstreeks dreigend gevaar voor leven en gezondheid van personen. Het niet in acht nemen van deze instructies kan ernstige schade aan de gezondheid toebrengen en zelfs levensgevaarlijk lichamelijk letsel of de dood tot gevolg hebben. |
|  | Dit symbool verwijst naar een belangrijke instructie. Het niet in acht nemen ervan kan tot schade aan de tafel leiden.   |

### 2.2 Gebruikte symbolen op het frame

|   |   |
|---|---|
|  | Leg geen voorwerpen of lichaamsdelen onder het frame of tussen de onderdelen van de crossbar. Het niet in acht nemen ervan kan ernstig lichamelijk letsel of de dood tot gevolg hebben. |
|  | Belast het frame met niet meer dan met de maximaal toegestane belasting. Overbelasting kan leiden tot een defect aan het frame en ernstig lichamelijk letsel.                           |

### 2.3 Organisatorische maatregelen

Monteer het frame bij voorkeur met twee personen. Vooral het draaien van het frame met het gemonteerde werkblad moet door twee personen geschieden!

### 2.4 Informele veiligheidsmaatregelen

- Bewaar de montage- en bedieningshandleiding altijd op de plaats waar het frame wordt gebruikt.
- Zorg ervoor dat alle veiligheids- en risico-instructies op het frame (zie hoofdstuk 2.2, Gebruikte symbolen op het frame) leesbaar blijven en vervang deze eventueel.

### 2.5 Vereisten aan de monteurs

- Alleen personen ouder dan 16 jaar mogen het frame opbouwen en eraan werken.
- De hierboven genoemde personen moeten de montage- en bedieningshandleiding hebben gelezen en begrepen.

### 2.6 Transport en montage

- Verplaats het frame alleen als er geen spanning meer op staat (stekker uit het stopcontact).
- Verplaats het frame uitsluitend met twee personen en met het frame in de laagste framehoogte.
- Sleep of duw het frame niet met de voeten over de vloer.
- Monteer het frame uitsluitend met het meegeleverde gereedschap. Alleen dan is gegarandeerd dat de schroeven goed worden aangedraaid.

## 2.7 Gebruik van het frame

- Gebruik het frame alleen in een bedrijfsmatige omgeving.
- Laat kinderen niet zonder toezicht het frame gebruiken. Kinderen zijn niet in staat om de gevaren van het frame in te schatten. Ze lopen hierdoor risico op ernstig letsel, mogelijk met fatale gevolgen.
- Gebruik het frame uitsluitend in een hiervoor geschikte omgeving (zie hoofdstuk 4, Technische Specificaties).
- Gebruik het frame niet op een oneffen ondergrond. Het frame staat dan niet stevig en er bestaat gevaar voor kantelen.
- Houd de inschakelduur van het frame van 10% in acht. Houd na iedere hoogtevinstelling (max. 1 minuut) een pauze van minstens 9 minuten aan.
- Belast het frame niet met meer dan met het maximaal toegestane gewicht, let op de maximaal toelaatbare framebelasting (zie hoofdstuk 4, Technische Specificaties).

## 2.8 Specifieke gevaren

- Zorg ervoor dat zich niemand anders in de directe omgeving van het frame bevindt bij het afstellen van de hoogte van het frame. Er bestaat dan gevaar voor letsel.
- Zorg bij het monteren van het frame voor voldoende ruimte om botsingen in alle mogelijke richtingen te voorkomen (bijv. schuin dak, vaste voorwerpen, archiefkasten, prullenbakken etc.).
- Zorg voor voldoende ruimte om botsingen te voorkomen indien zich voorwerpen, zoals computers of randapparatuur, op het werkblad bevinden.
- Zorg voor een vrije ruimte van tenminste 25mm tot alle andere meubels rondom het frame.

## 2.9 Instructies voor noodgevallen

- Verwijder u zich onmiddellijk uit de nabije omgeving van het frame, wanneer deze zich plotseling in beweging zet. Neem het frame niet in gebruik. Laat het frame door een gespecialiseerd bedrijf repareren. Neem het frame pas weer in gebruik nadat het gerepareerd is.
- Stel het frame onmiddellijk buiten bedrijf wanneer er zich iets ongebruikelijks bij het frame voordoet (vreemde geluiden, rook etc.). Laat het frame door een gespecialiseerd bedrijf repareren. Neem het frame pas weer in gebruik nadat het gerepareerd is.
- Stel het frame onmiddellijk buiten bedrijf wanneer de veiligheidsvoorzieningen niet correct werken (bijv. handbediening).

## 2.10 Onderhoud en instandhouding

- Gelieve er op te letten dat het frame zich altijd in een goede staat bevindt. Laat het frame bijvoorbeeld regelmatig door gespecialiseerd personeel controleren.
- Voer zelf geen reparaties aan het frame of de componenten uit.
- Wijzig niets aan de constructie van het frame.
- Houd de maximale inschakelduur van het frame aan (zie hoofdstuk 2.9, Gebruik van het frame).
- Vervang defecte onderdelen van het frame uitsluitend door nieuwe originele onderdelen van de fabrikant. Gebruik alleen originele vervangingsonderdelen vervaardigd door de fabrikant. Laat het vervangen van defecte onderdelen over aan een gespecialiseerd bedrijf. Deze montage- en bedieningshandleiding moet hierbij in acht genomen worden.

## 2.11 Reiniging

- Verwijder eenmaal per week het stof van het frame met een droge doek.
- Maak het frame om de twee weken schoon met een vochtige doek en een niet agressief schoonmaakmiddel.

## 2.12 Overige risico's

Dit frame is gebouwd volgens de laatste stand van de techniek en de erkende veiligheidstechnische normen. Desondanks kunnen er bij gebruik ervan gevaar voor gezondheid en veiligheid van de gebruiker of derden, respectievelijk schade aan het frame of andere voorwerpen van waarde ontstaan. Het frame mag uitsluitend worden gebruikt:

- overeenkomstig het beoogde doel.
- in veiligheidstechnische perfecte toestand.

### 3 MONTAGE



Lees voorafgaand aan de montage de Veiligheidsinstructies in hoofdstuk 2.

#### 3.1 Controleren op volledigheid van levering

- Maak de kartonnen verpakking voorzichtig open
- Gebruik hiervoor geen lange messen. Deze kunnen de onderdelen in de verpakking beschadigen.
- Controleer de onderdelen op volledigheid zoals beschreven in hoofdstuk 1.5, Inhoud verpakking.
- Controleer de onderdelen op zichtbare transportschade. Neem bij eventuele schade of onjuiste onderdelen contact op met de afdeling Klantenservice (zie hoofdstuk 7).
- Probeer het frame niet te monteren bij schade of onjuiste onderdelen.

#### 3.2 Verpakking en verwijdering

- Verwijder de verpakking. Voer deze af als huishoudelijk afval/oud papier.
- Neem de desbetreffende landelijke wetgeving in acht.

#### 3.3 Draaimomenten van de gebruikte schroeven

- Monteer het frame uitsluitend met het meegeleverde gereedschap.

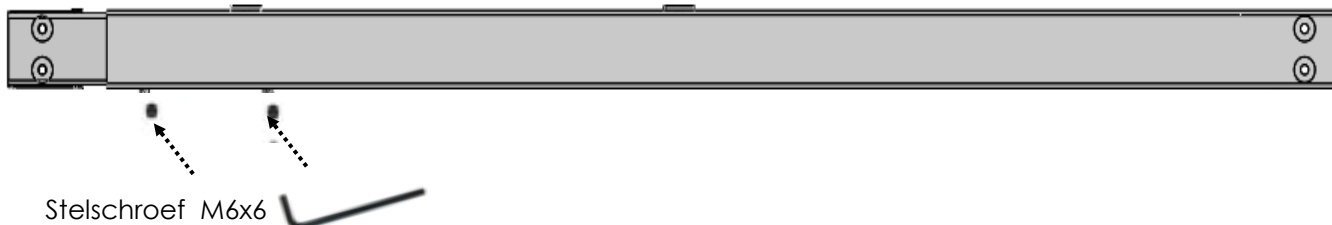
#### 3.4 Montage van het frame

##### 3.4.1 Voormontage van de crossbar

Monteer de volgende onderdelen:

| #    | Onderdeel        | Aantal |
|------|------------------|--------|
| 06   | Crossbar         | 1      |
| 09   | Inbussleutel     | 1      |
| 10.1 | Stelschroef M6x6 | 2      |

| Aanbevolen bladmaat |          |
|---------------------|----------|
| frame-breedte       | werkblad |
| 1,1 m               | 120 cm   |
| 1,3 m               | 140 cm   |
| 1,5 m               | 160 cm   |
| 1,7 m               | 180 cm   |



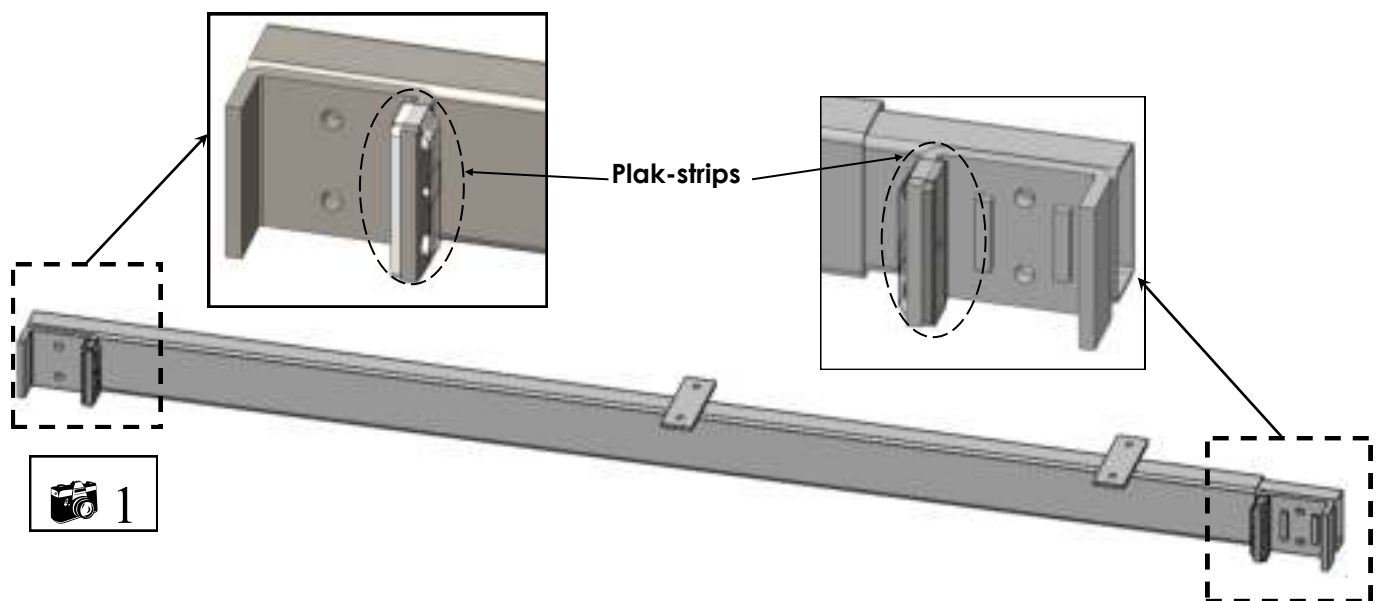
Draai de 2 stelschroeven in de schroefgaten.

- Draai de stelschroeven nog niet helemaal vast!
- Draai de stelschroeven past vast na het instellen van de frame-breedte in hoofdstuk 3.4.7.

### 3.4.2 Montage van de crossbar

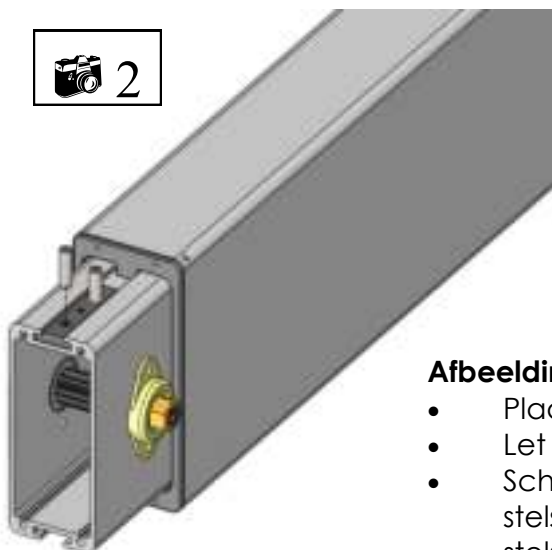
Monteer de volgende onderdelen:

| #    | Onderdeel                | Aantal |
|------|--------------------------|--------|
| 01   | Been                     | 2      |
| 06   | Voorgemonteerde crossbar | 1      |
| 09   | M10 Sleutel              | 1      |
| 09   | Inbussleutel M3          | 1      |
| 10.2 | Stelschroef M6x20        | 4      |
| 10.3 | Kraagmoer M6             | 4      |



**Afbeelding 1**

- Gelieve het beschermfolie van de plakstrips te verwijderen.

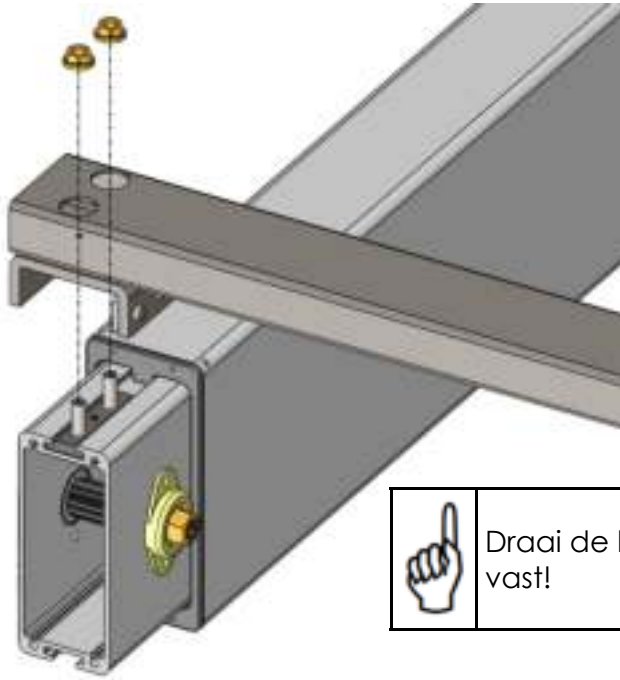


**Afbeelding 2**

- Plaats beide benen vlak op de vloer, parallel ann elkaar.
- Let er op dat de slide nuts naar boven wijzen.
- Schroef de 2 stelschroeven in de bovenste slide nuts en 2 stelschroeven in de onderste slide nuts. Draai de stelschroeven met de inbussleutel slechts lichtjes aan.



 3

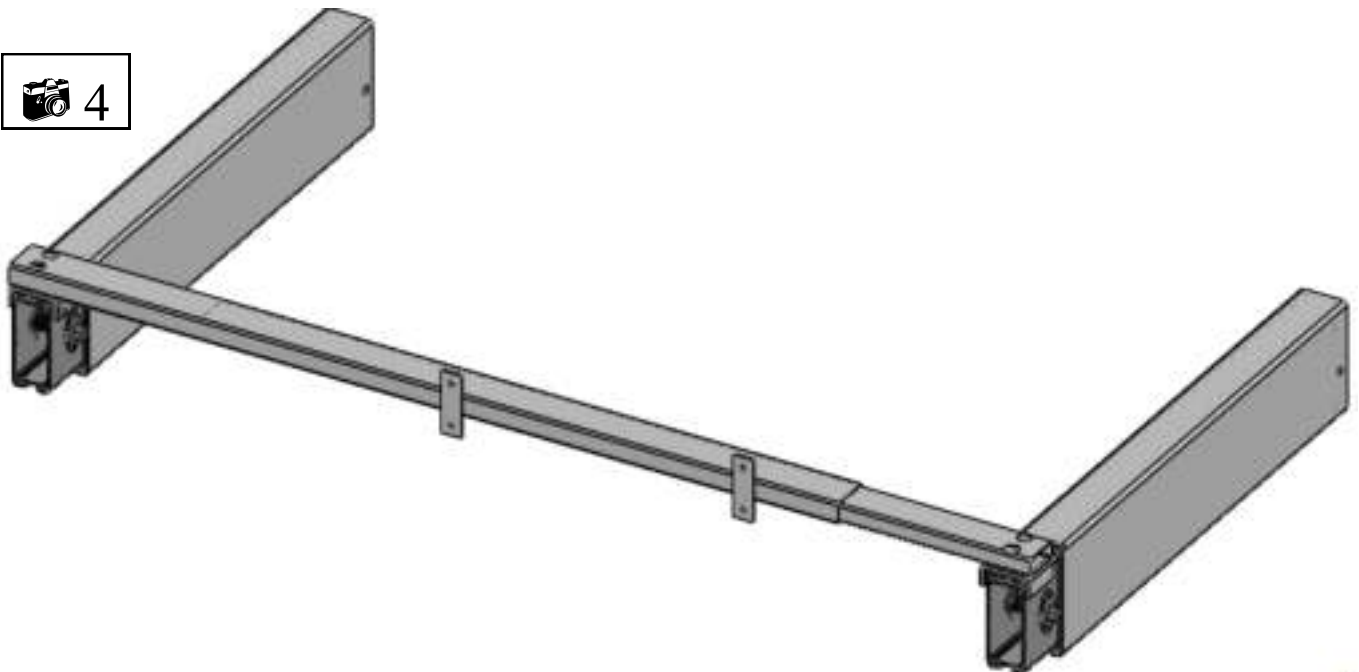


Draai de kraagmoeren nog niet helemaal vast!

### Afbeelding 3

- Plaats de crossbar op de 2 ingedraaide stelschroeven.
- Schroef nu de kraagmoeren op de stelschroeven.
- Draai de kraagmoeren slechts lichtjes aan.

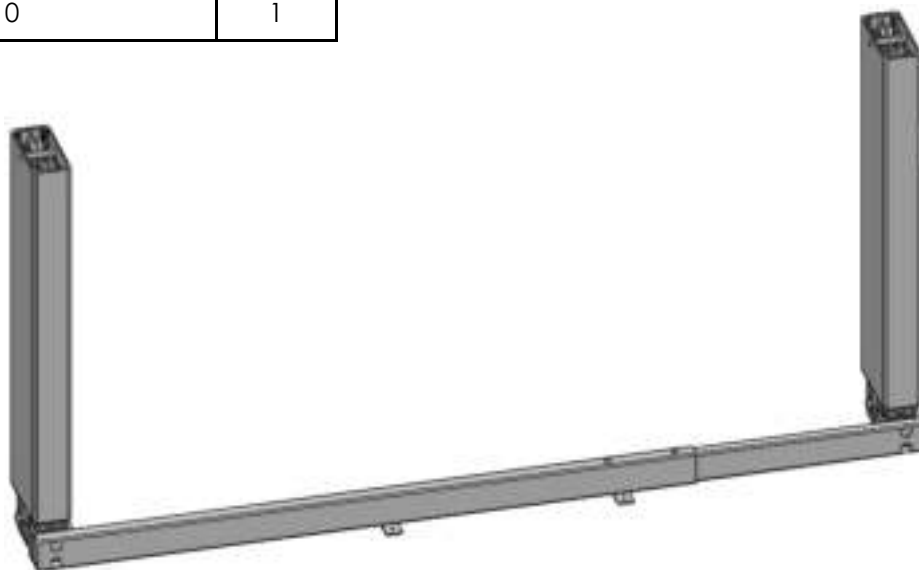
 4



### 3.4.3 Montage van de voeten

Monteer de volgende onderdelen:

| #    | Onderdeel            | Aantal |
|------|----------------------|--------|
| 03   | Voet                 | 2      |
| 08   | Stelvoet             | 4      |
| 09   | Montagesleutel M10   | 1      |
| 10.4 | Zeskantschroef M6x25 | 8      |
| 10.5 | Sluiring M6          | 8      |
| 09   | Inbussleutel M3      | 1      |
| 09   | Montagesleutel M10   | 1      |

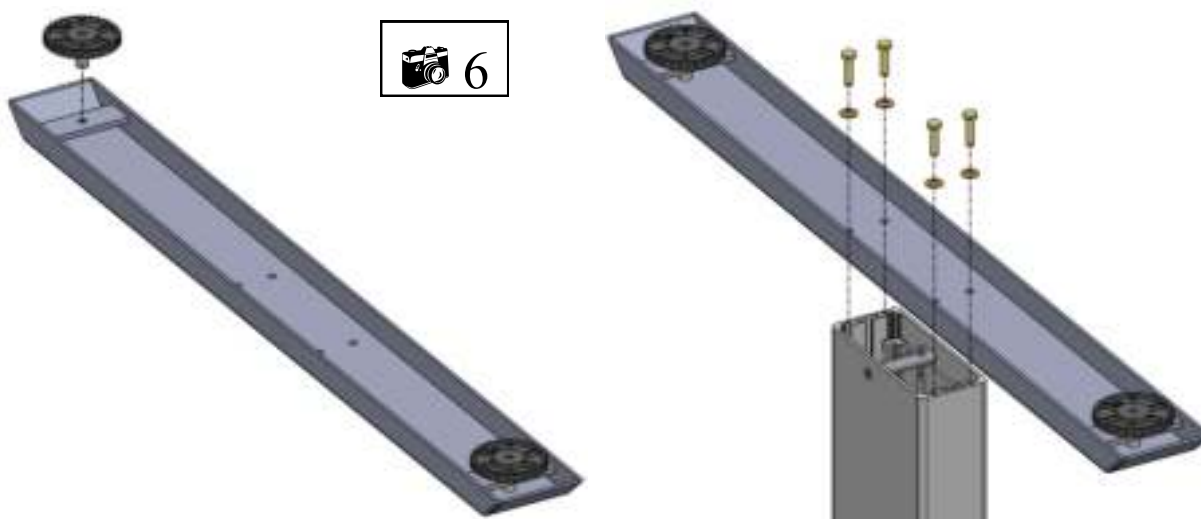


#### Afbeelding 5

- Draai het voormonteerde frame om (met 2 personen) zodat de benen naar boven zijn gericht.

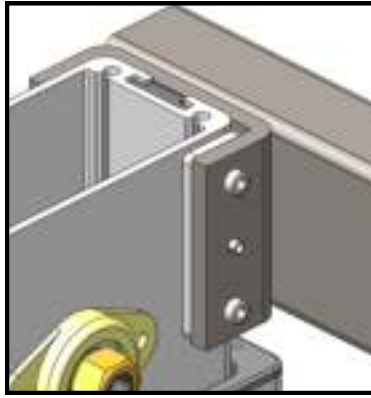


Zorg ervoor dat het frame niet om kan vallen!

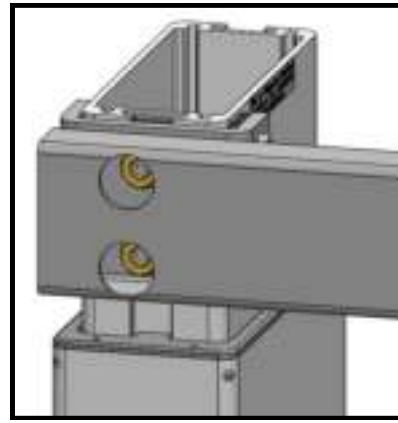


#### Afbeelding 6

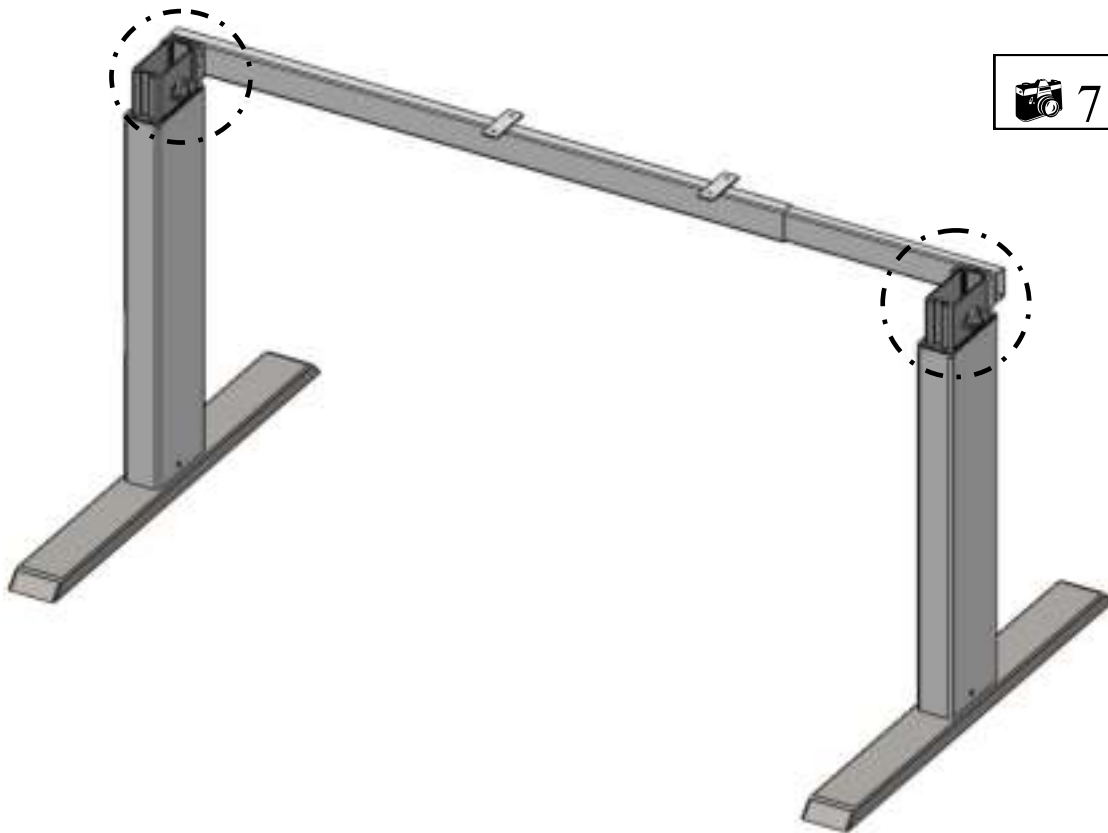
- Positioneer de voeten zoals afgebeeld in afbeelding 6.
- Bevestig de voeten aan de benen met de 8 zeskantschroeven en ringen.
- Draai de 8 schroeven nu vast met de M10 Sleutel en de M10 Montagesleutel.
- Draai 2 stelvoeten in elke voet.



Stelschroeven aandraaien



Kraagmoeren aandraaien



### Afbeelding 7

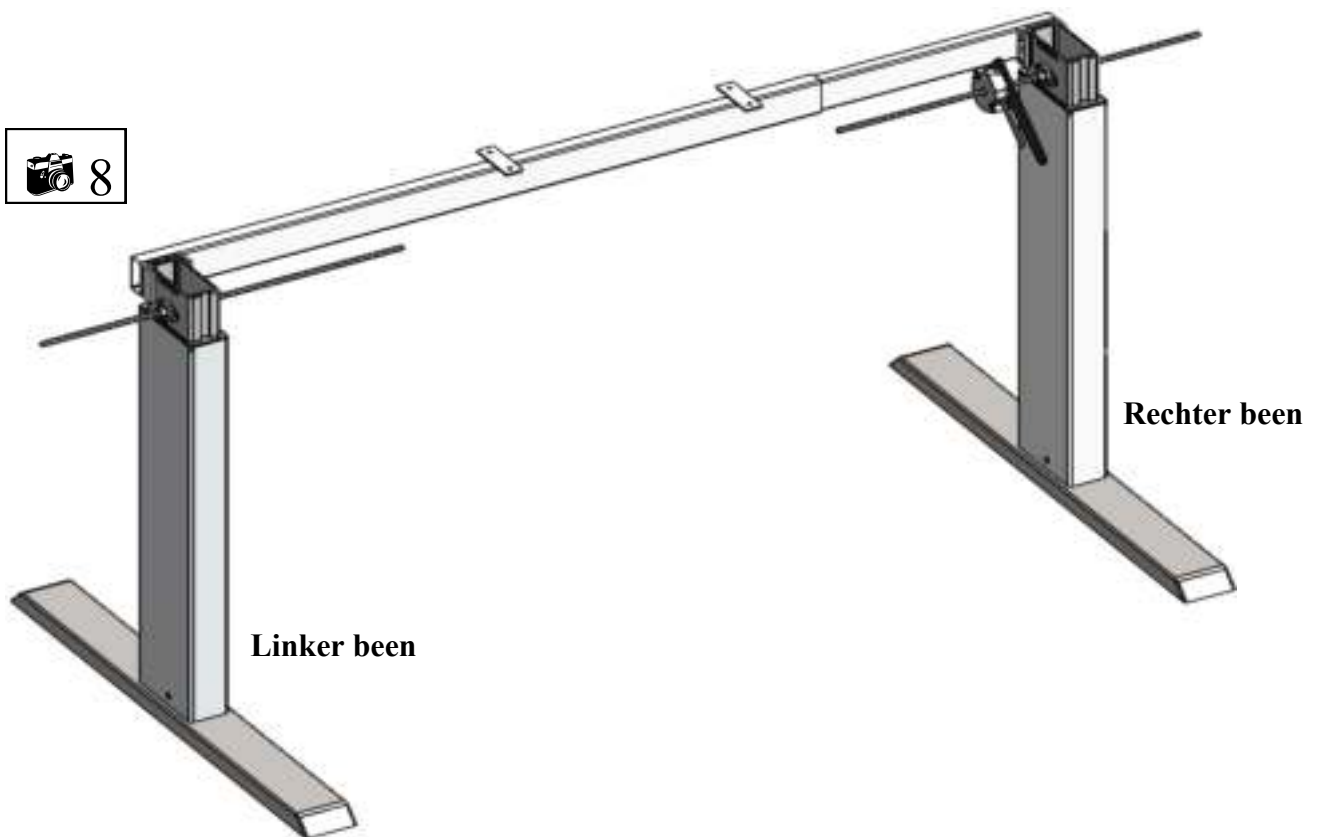
- Draai het frame en zet het frame neer op de voeten (met 2 personen).
- Nu dienen nog
  - de stelschroeven aan de beugel van de crossbar met behulp van de Inbusleutel M3 **vastgedraaid** te worden.
  - de kraagmoeren met behulp van de M10 Sleutel en de M10 Montagesleutel **vastgedraaid** te worden.

### 3.4.4 Montage van de aandrifas

Monteer de volgende onderdelen:

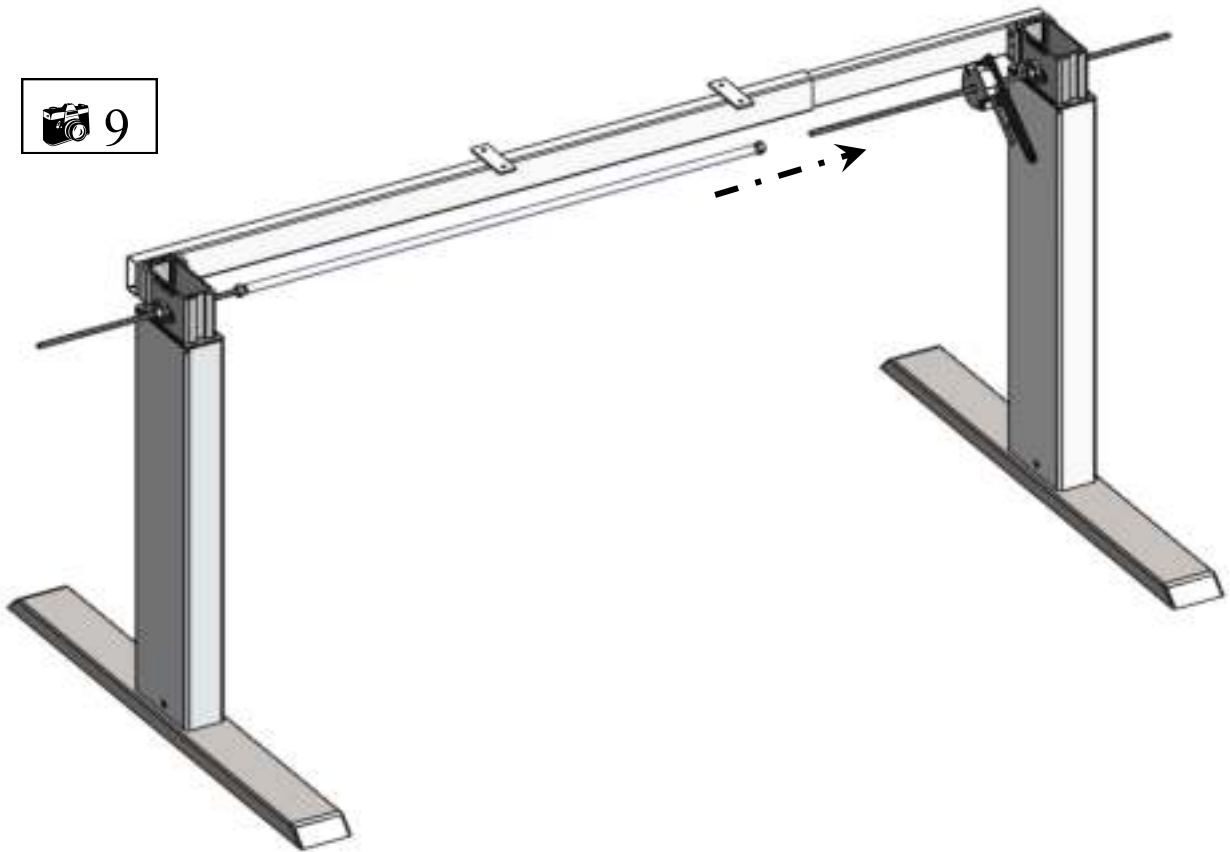
| #  | Onderdeel          | Aantal |
|----|--------------------|--------|
| 04 | Aandrijfvas        | 2      |
| 05 | Koppelbuis         | 1      |
| 09 | Montagesleutel M10 | 1      |
| 12 | Gearbox            | 1      |

- ☞ Zorg ervoor dat de benen in de laagste stand staan.
- ☞ Controleer of alle onderdelen in de originele verpakking zitten.



#### Afbeelding 8

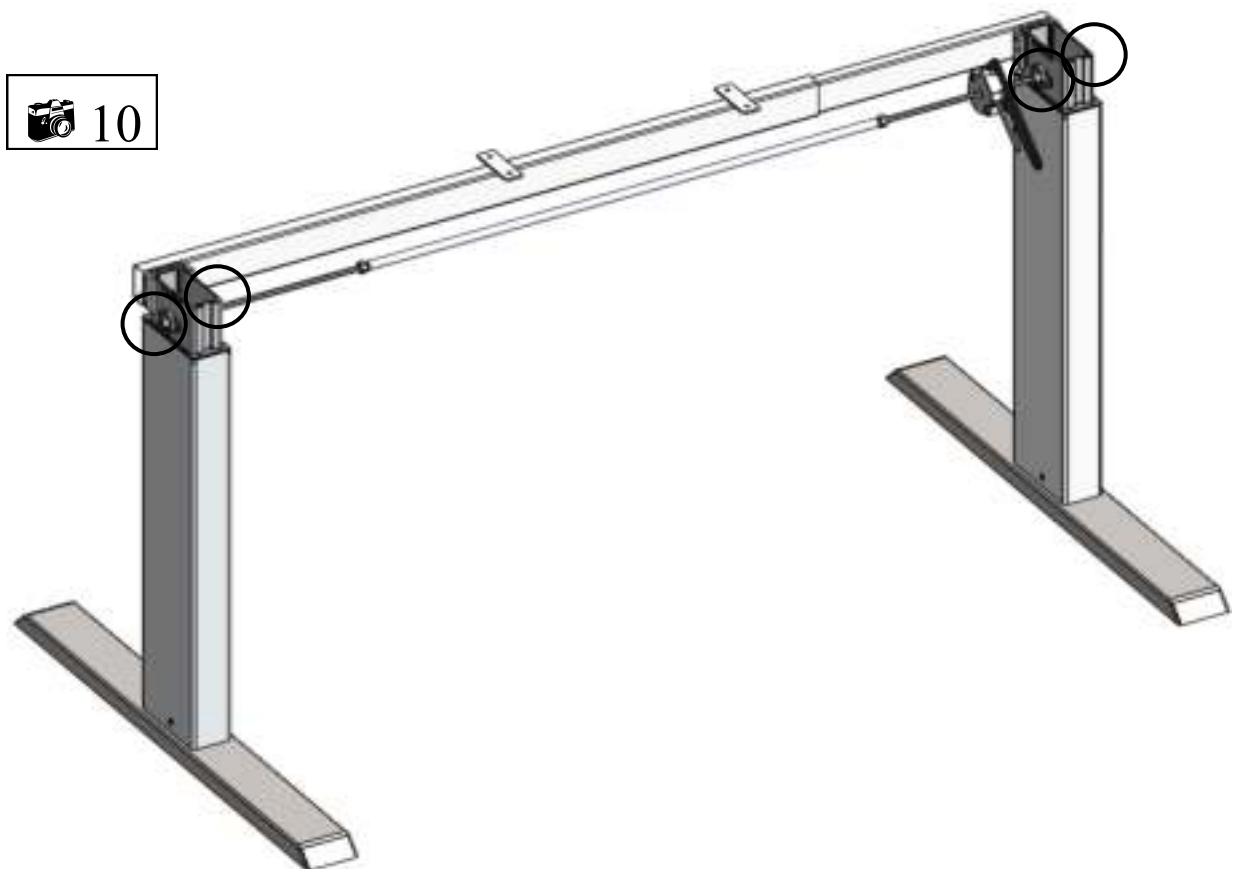
- Schuif de aandrijfassen (zeskant) van buiten naar binnen door de zeskantvormige openingen in de benen. Schuif de beide assen ca. 15 cm in het frame.
- Schuif de gearbox over de zeskantas.



 9

**Afbeelding 9**

- Schuif beide aandrijfassen in de koppelbuis.



 10

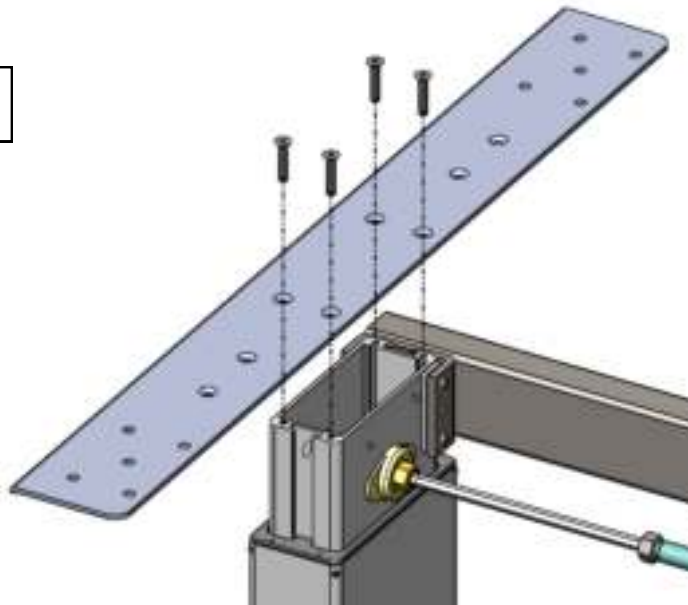
**Afbeelding 10**

- Schuif de beide aandrijfassen zover in het frame, tot dat zij gelijk zijn aan de buitenkant van het been.
- Draaide kraagmoeren aan.

### 3.4.5 Montage van de bladdragers

Monteer de volgende onderdelen:

| #    | Onderdeel         | Aantal |
|------|-------------------|--------|
| 02   | Bladdrager        | 2      |
| 09   | Inbussleutel M3   | 1      |
| 10.8 | CSK schroef M5x25 | 8      |



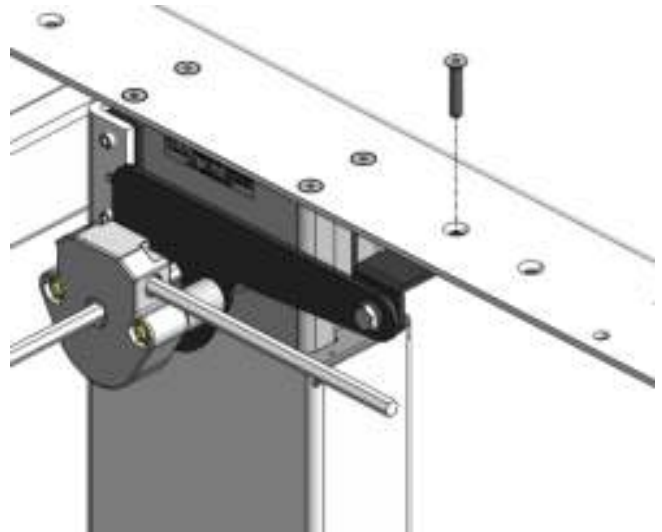
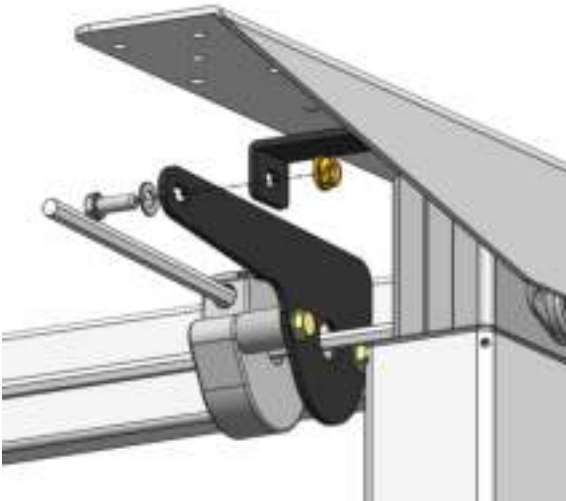
#### Afbeelding 11 & 12

- Plaats de bladdragers op de benen.
- Bevestig de bladdragers met behulp van de CSK schroeven en de M3 inbussleutel.
- Draai de 8 schroeven vast.

### 3.4.6 Montage van de handslinger

Monteer de volgende onderdelen:

| #    | Onderdeel             | Aantal |
|------|-----------------------|--------|
| 07   | L-Beugel              | 1      |
| 10.7 | CSK schroef M5x25     | 1      |
| 09   | Inbusleutel M3 & M2.5 | 1      |
| 09   | Montagesleutel M10    | 1      |
| 10.6 | Zeskantschroef M6x16  | 1      |
| 10.5 | Ring M6               | 1      |
| 10.3 | Kraagmoer M6          | 1      |
| 11   | Handslinger           | 1      |

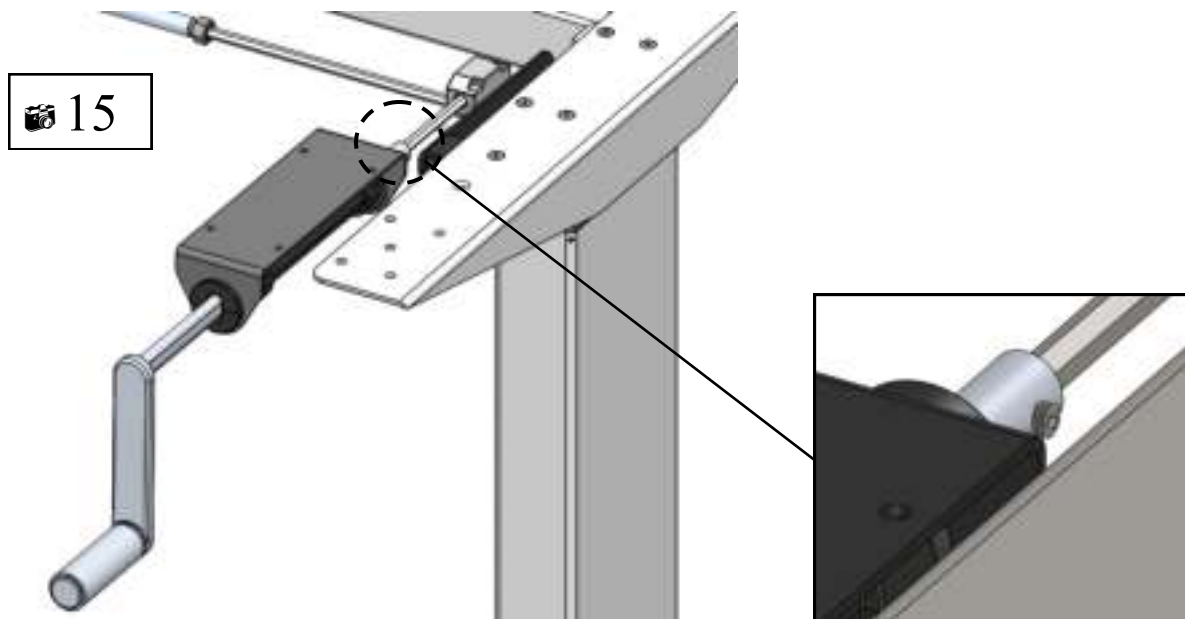


#### Afbeelding 13

- Schuif de M6 ring over de zeskantschroef. Steek de schroef door de opening van de gearbox.
- Schuif de L-beugel over de schroef. (Tussen de gearbox en de bladdrager).
- Fixeer de afstandhouder met behulp van een kraagmoer.

#### Afbeelding 14

- Verschuif vervolgens de gearbox richting het been tot het schroefdraad van de L-beugel gelijk zit met het gat in de bladdrager.
- Verbind de L-beugel met de bladdrager met behulp van de CSK-schroef M5x25.



**Photo 15**

- Slide the hand crank assembly over the shaft and tighten the set screw with Allen Key M2.5.

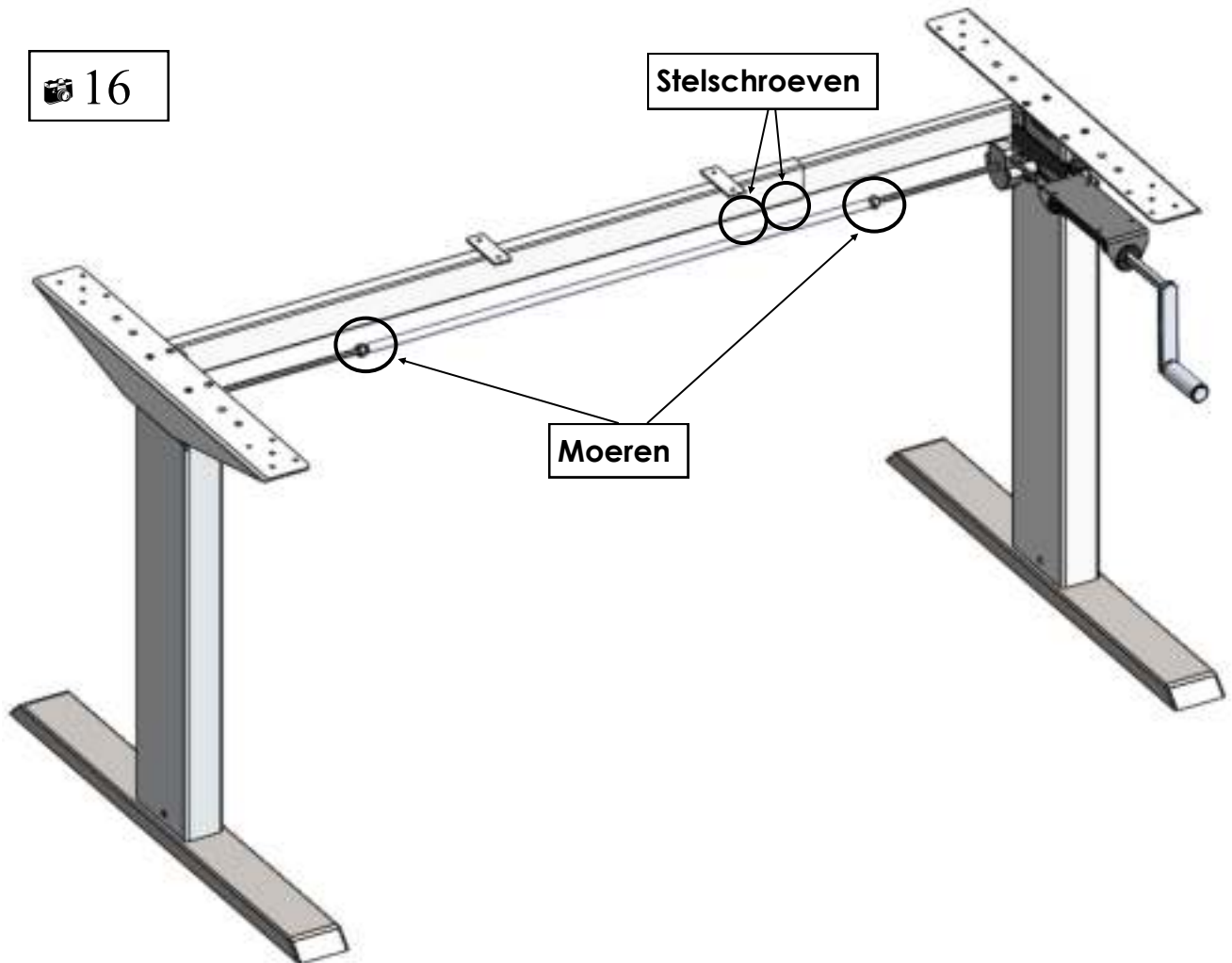
**Afbeelding 15**

- Schuif de handslinger over de aandrijfas en draai de stelschroef aan met de in bussleutel M2.5.

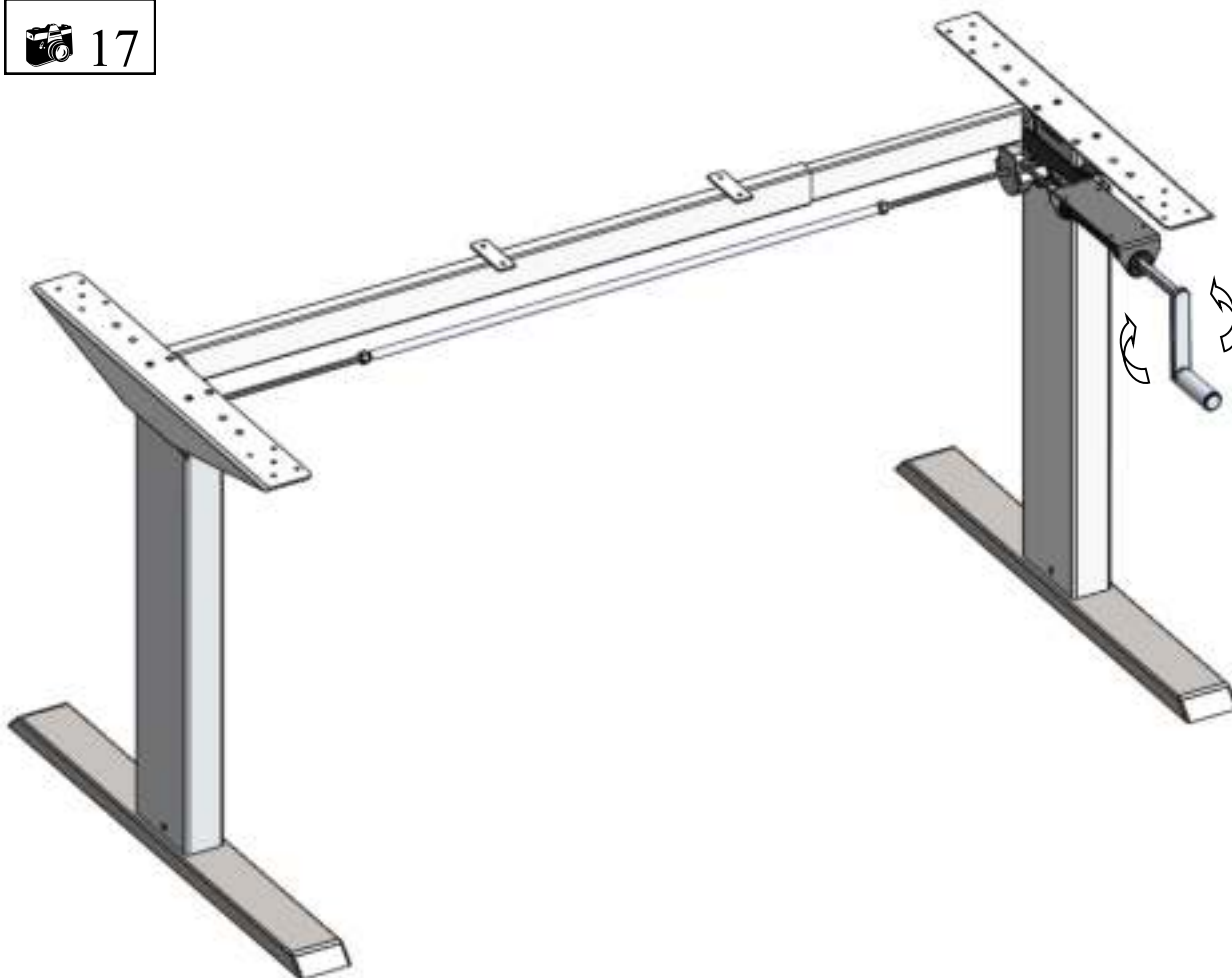


### 3.4.7 Instellen van de frame-breedte

Schuif het frame uit tot de gewenste breedte. Mocht u de stelschroeven of de moeren in een eerder stadium al vastgedraaid hebben, dan moet u deze nu nog eenmaal losdraaien.



### 3.4.8 Frame zonder werkblad

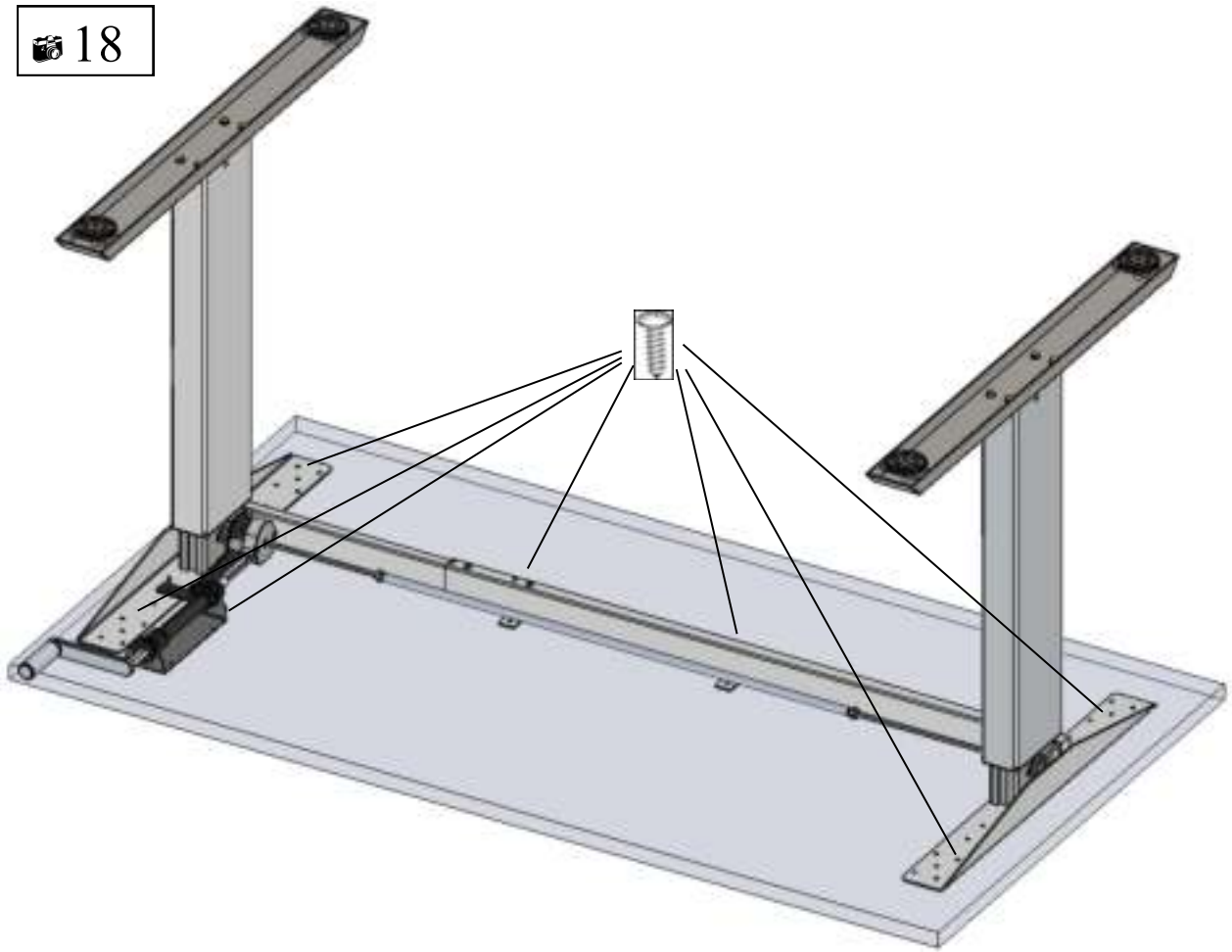


Zorg ervoor dat het frame te allen tijde correct en vrij kan bewegen. Indien dit niet het geval is, neem contact op met de klantenservice van uw dealer. (see Section 6).

### 3.4.6 Montage van de werkblad

Zie de handleiding van het werkblad.

 18



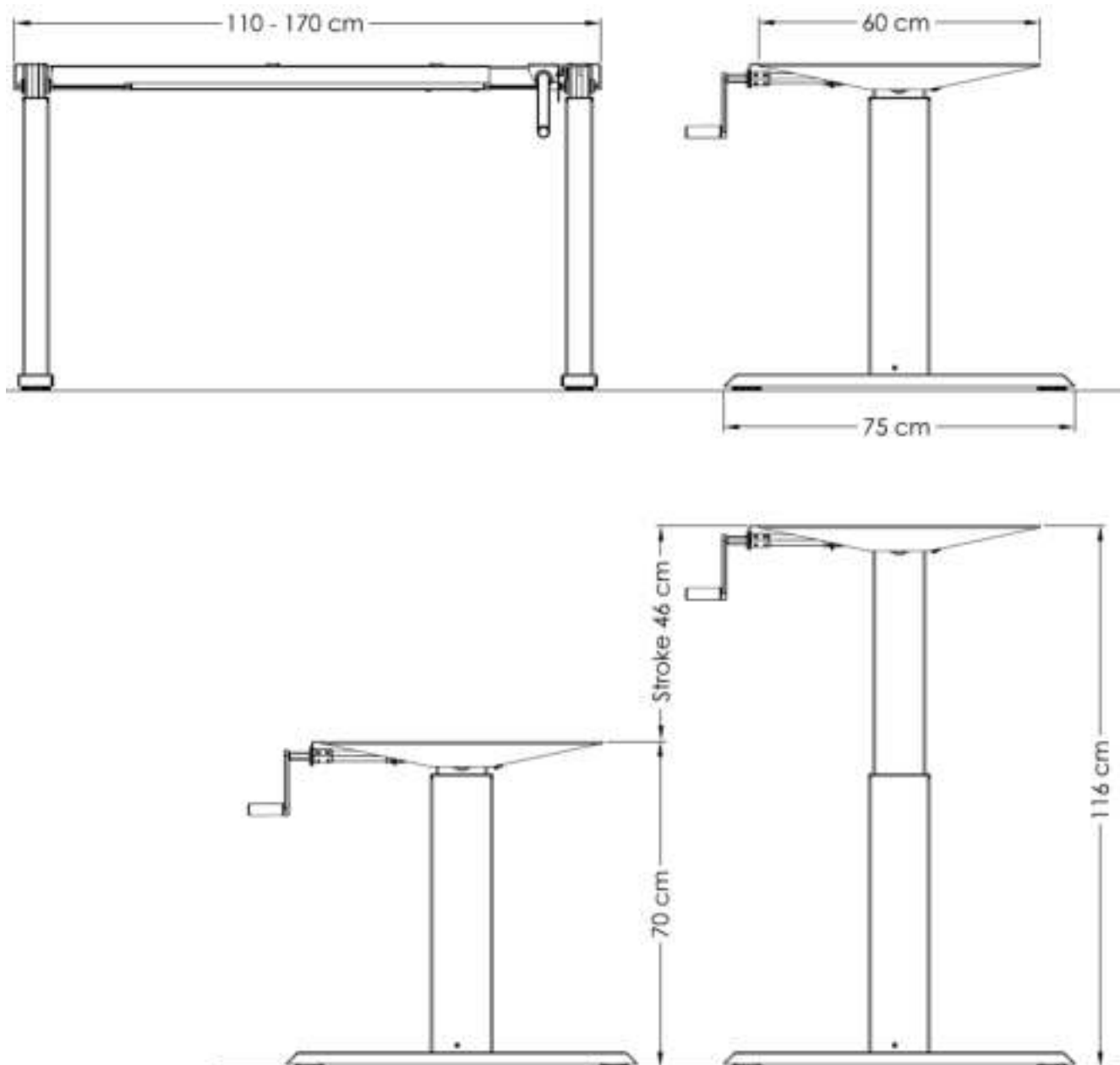
## 4 TECHNISCHE SPECIFICATIES

Frame voor een handmatig in hoogte verstelbare zit/sta tafel

|                                   |                               |
|-----------------------------------|-------------------------------|
| Handleiding, versie               | P19302-2EN-DE-NL-FR           |
| Datum                             | 2020                          |
| Land van productie                | Maleisië                      |
| Systeem                           | 1-traps, handmatig            |
| Materiaal                         | Aluminium, staal en kunststof |
| Slag (max.)                       | 46 cm                         |
| Framebelasting (max.)             | 60 kg                         |
| Framegewicht                      | ± 21 kg                       |
| Snelheid                          | ± 23 mm/s                     |
| Omgevingstemperatuur bij gebruik  | 15 - 30°C                     |
| Omgevingstemperatuur bij opslag   | 10 - 50°C                     |
| Luchtvochtigheid bij gebruik      | <85%                          |
| Luchtvochtigheid bij opslag       | <50%                          |
| Maximale opslagtijd               | -                             |
| Enkel voor gebruik binnenshuis!!! |                               |


## 4 TECHNISCHE SPECIFICATIES

(\* Gemiddelde tolerantie =  $\pm 1$  cm)




|                         |              |
|-------------------------|--------------|
| Minimale framehoogte    | 70 cm        |
| Maximale framehoogte    | 116 cm       |
| Maximale slag           | 46 cm        |
| Framebreedte            | 110 - 170 cm |
| Framediepte             | 75 cm        |
| Minimale werkbladdiepte | 60 cm        |
| Maximale framebelasting | 60 kg        |

## 5 BEDIENING EN GEBRUIKSAANWIJZINGEN

|   |  |
|---|--|
|  | <p>Neem de Veiligheidsinstructies in hoofdstuk 2 op pagina 5 in acht, met name:</p> <p>Laat kinderen niet zonder toezicht het frame gebruiken. Kinderen zijn niet in staat de gevaren van het frame in te schatten. Ze lopen hierdoor groot risico op ernstig letsel, mogelijk zelfs met fatale gevolgen. Zorg er in ieder geval voor dat het frame niet verder versteld kan worden indien het toch door kinderen wordt gebruikt.</p> <p>Zorg voor voldoende ruimte om botsingen te voorkomen indien zich voorwerpen, zoals computers of randapparatuur, op het werkblad bevinden.</p> |
|---|--|

### 5.1 Gebruiksaanwijzingen

|   |  |
|---|--|
|  | <p>Gebruik het frame niet meer wanneer er zich iets ongebruikelijks bij het frame voordoet (vreemde geluiden, rook etc.).</p> <p>Laat het frame door een gespecialiseerd bedrijf repareren. Neem het frame pas weer in gebruik nadat het op deskundige wijze gerepareerd is.</p> <p>Gebruik het frame niet meer wanneer er zich veiligheidsrisico's voordoen</p> |
|---|--|

## 6 Klantenservice

Houd de gegevens van het frame bij de hand wanneer u contact opneemt met uw dealer:

|                |
|----------------|
| <i>Dealer:</i> |
|----------------|

## 7 Fabrikant

|   |
|---|
| <b>Actiforce International B.V.</b><br><br>Het Steenland 20<br>3751 LA Bunschoten-Spakenburg<br>The Netherlands<br><br>+31 (0)33 4600120<br>www.actiforce.com<br>info.holland@actiforce.com |
|---|

## 8 Recycling

### 8.1 Demontage van het frame

- Houd bij demontage de omgekeerde volgorde van de handleiding aan of neem contact op met de Klantenservice.

### 8.2 Recycling

- Scheid de onderdelen naar materiaalsoort. Houd de nationale wetgeving in acht!





English

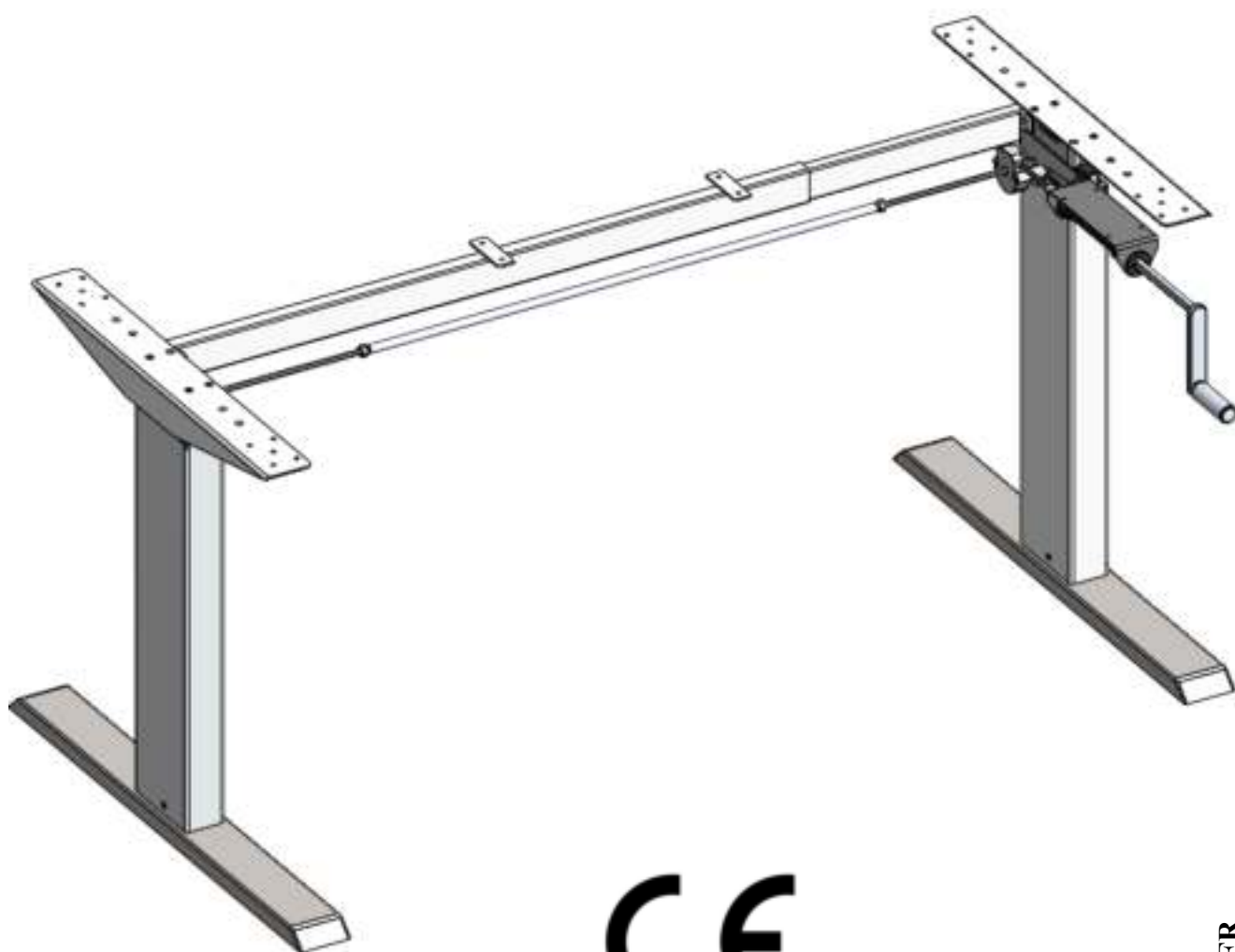
Deutsch

Nederlands

Français

# ***ALUFORCE PRO 140 CL Diecast HC***

Bâti pour un poste de bureau réglable manuellement



**CE**

## Notice de montage

Veuillez lire attentivement cette notice et la conserver en lieu sûr.

P19302-2EN-DE-NL-FR

# Sommaire

|   |              |
|---|--------------|
| <b>1 GÉNÉRALITÉS 3</b>  |              |
| 1.1 Valeur locale de la notice de montage/d'utilisation .....       | 3            |
| 1.2 Utilisation conforme.....                                       | 3            |
| 1.3 Utilisation non conforme .....                                  | 3            |
| 1.4 Contenu de l'emballage .....                                    | 4            |
| <b>2 CONSIGNES DE SÉCURITÉ .....</b>                                | <b>5</b>     |
| 2.1 Pictogrammes/avertissements .....                               | 5            |
| 2.2 Pictogrammes utilisés sur le bâti de bureau.....                | 5            |
| 2.3 Mesures organisationnelles.....                                 | 5            |
| 2.4 Mesures de sécurité recommandées.....                           | 5            |
| 2.5 Remarques à l'intention des personnes chargées du montage ..... | 5            |
| 2.6 Transport et montage .....                                      | 5            |
| 2.7 Utilisation du bâti de bureau.....                              | 6            |
| 2.8 Risques spécifiques.....  | 6            |
| 2.9 Procédure à suivre en cas d'urgence .....                       | 6            |
| 2.10 Maintenance et entretien .....                                 | 6            |
| 2.11 Nettoyage .....  | 6            |
| 2.12 Risques persistants .....                                      | 6            |
| <b>3 MONTAGE .....</b>  | <b>7</b>     |
| 3.1 Contrôle de l'étendue de la livraison .....                     | 7            |
| 3.2 Emballage .....   | 7            |
| 3.3 Couples de serrage pour les vis utilisées.....                  | 7            |
| 3.4 Montage du bâti de bureau .....                                 | 7            |
| 3.4.1 Prémontage de la traverse.....                                | 7            |
| 3.4.2 Montage de la traverse .....                                  | 8-9          |
| 3.4.3 Montage des patins.....                                       | 10-11        |
| 3.4.4 Montage de la tige hexagonale .....                           | 12-13        |
| 3.4.5 Montage des supports de plateau.....                          | 14           |
| 3.4.6 Montage de la manivelle .....                                 | 15-16        |
| 3.4.7 Réglage de la largeur du bâti.....                            | 17           |
| 3.4.8 Test du bâti sans plan de travail .....                       | 18           |
| 3.4.9 Montage du plan de travail .....                              | 19           |
| <b>4 CARACTÉRISTIQUES TECHNIQUES.....</b>                           | <b>20-21</b> |
| <b>5 FONCTIONNEMENT ET INDICATEURS .....</b>                        | <b>22</b>    |
| 5.1 Indicateurs .....   | 22           |
| <b>6 SERVICE APRÈS-VENTE.....</b>                                   | <b>23</b>    |
| <b>7 FABRICANT .....</b>  | <b>23</b>    |
| <b>8 RECYCLAGE .....</b>  | <b>23</b>    |
| 8.1 Démontage du bâti de bureau .....                               | 23           |
| 8.2 Recyclage.....  | 23           |

## 1 Généralités

### 1.1 Valeur locale de la notice de montage/d'utilisation

Pour une utilisation sûre et un bon fonctionnement de ce bâti de bureau, il convient de connaître et de respecter les consignes de sécurité élémentaires et les réglementations en la matière. Cette notice de montage/d'utilisation inclut des informations importantes nécessaires au montage et au fonctionnement du bâti de bureau en toute sécurité. Cette notice de montage/d'utilisation, notamment les consignes de sécurité qu'elle contient, doit être respectée par quiconque monte ce bâti et travaille sur le bâti entièrement monté. Plus important encore, il est indispensable d'observer constamment les lois et réglementations relatives à la prévention d'accidents, qui sont en vigueur là où ce bâti de bureau doit être utilisé.

### 1.2 Utilisation conforme

Le bâti de bureau doit être employé exclusivement en tant que poste de travail debout/assis réglable manuellement en hauteur, dans des bureaux ou dans d'autres locaux fermés. Le bâti est conçu uniquement dans ce but. Veuillez observer les dispositions du Chapitre 2, Consignes de Sécurité. Les enfants laissés sans surveillance près du bâti de bureau peuvent ne pas être conscients des dangers que celui-ci représente. Tout usage autre que celui mentionné ci-dessus sera réputé non conforme. Le fabricant décline toute responsabilité quant aux dommages résultant d'un usage non conforme.

Une utilisation conforme sous-entend également :

- Le respect de l'ensemble des informations figurant dans la notice de montage/d'utilisation et
- L'interdiction de tout ajout et transformation apporté au bâti de bureau.

•

### 1.3 Utilisation non conforme

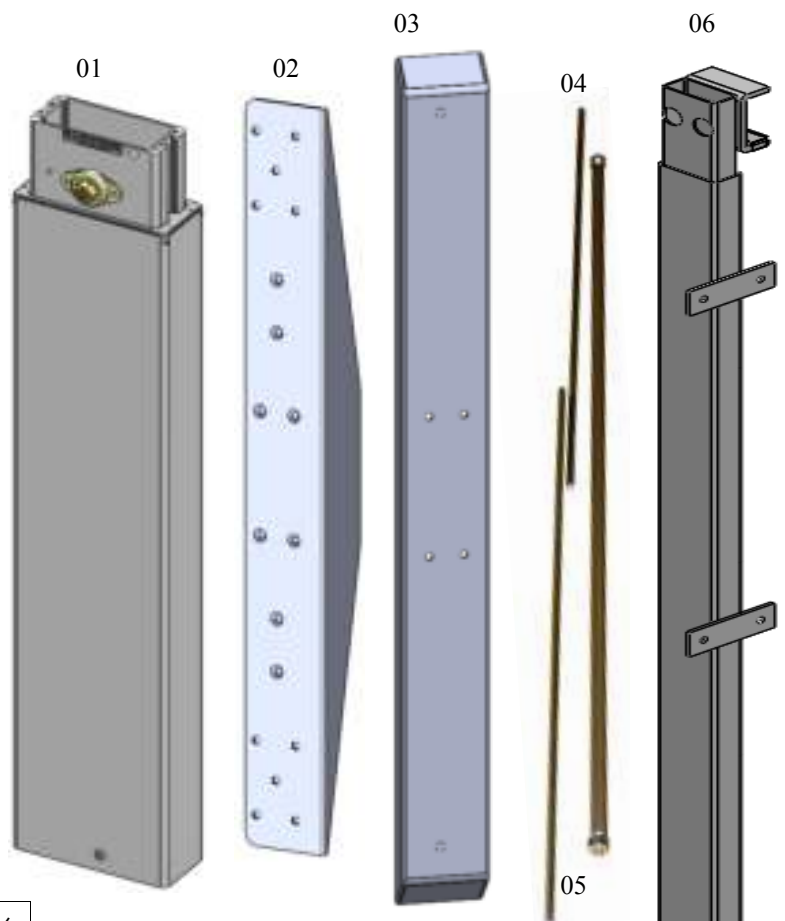
- N'utilisez jamais le bâti de bureau pour soulever des personnes ou des charges.
- Ne dépassez pas la charge maximale que peut supporter le bâti de bureau (voir Chapitre 4, Caractéristiques techniques).

## AVERTISSEMENT

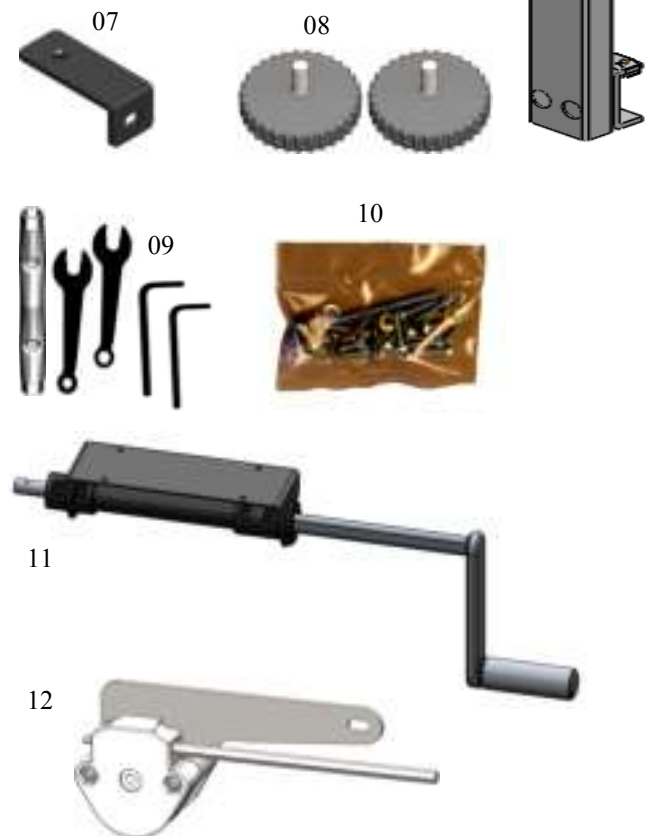
**Tout changement ou modification non approuvé explicitement par le fabricant peut entraîner la révocation du droit de l'utilisateur d'utiliser l'appareil.**

## 1.4 Contenu de l'emballage

| #  | Désignation              | Qté |
|----|--------------------------|-----|
| 01 | Pied                     | 2   |
| 02 | Support de plateau       | 2   |
| 03 | Patin                    | 2   |
| 04 | Tige hexagonale          | 2   |
| 05 | Entraînement d'axe       | 1   |
| 06 | Traverse                 | 1   |
| 07 | Support en L             | 1   |
| 08 | Patins de niveau         | 4   |
| 09 | Outils                   | 1   |
| 10 | Kit de pièces de montage | 1   |
| 11 | Ensemble de manivelle    | 1   |
| 12 | Engrenage                | 1   |



|      |  |     |                           |
|------|--|-----|---------------------------|
| 10.1 |  | 2x  | Vis sans tête M6x6        |
| 10.2 |  | 4x  | Vis sans tête M6x20       |
| 10.3 |  | 5x  | Écrou à embase M6         |
| 10.4 |  | 8x  | Boulon hexagonal M6x25    |
| 10.5 |  | 9x  | Rondelle M6               |
| 10.6 |  | 1x  | Boulon hexagonal M6x16    |
| 10.7 |  | 9x  | Vis CKS M5x25             |
| 10.8 |  | 28x | Vis pour aggloméré 4.5x16 |



## 2 Consignes de sécurité

### 2.1 Pictogrammes/avertissements

La notice de montage/d'utilisation contient les termes et pictogrammes suivants pour signaler les différents dangers :



Ce pictogramme signale une menace directe pour la vie ou l'intégrité physique des personnes. Le non-respect de ce pictogramme risque d'entraîner de graves conséquences pour l'intégrité physique, voire mettre la vie en danger



Ce pictogramme signale des informations importantes. Le non-respect de ces informations risque d'endommager le bâti de bureau.

### 2.2 Pictogrammes utilisés sur le bâti de bureau



Ne placez aucun objet ou partie du corps sous le bâti de bureau ni entre les traverses. Cela risquerait de provoquer de graves blessures.



Ne dépassez pas la charge maximale que peut supporter ce bâti de bureau. Toute surcharge risque d'entraîner une rupture et, partant, de graves blessures.

### 2.3 Mesures organisationnelles

- Le bâti de bureau doit être monté de préférence par deux personnes. Le renversement du bâti de bureau, une fois que le plan de travail a été monté, doit impérativement être réalisé par deux personnes !

### 2.4 Mesures de sécurité recommandées

- Conservez en permanence la notice de montage/d'utilisation à proximité de l'endroit où le bâti de bureau est utilisé.
- Assurez-vous que toutes les consignes de sécurité sur le plan de travail (voir Chapitre 2.2 Pictogrammes utilisés sur le bâti de bureau, page 5) soient lisibles ; remplacez-les le cas échéant.

### 2.5 Remarques à l'intention des personnes chargées du montage

- Seules des personnes de plus de 16 ans sont autorisées à assembler/utiliser le poste de travail.
- Les personnes dont il est fait référence ci-dessus doivent avoir lu et compris la notice de montage/d'utilisation.

### 2.6 Transport et montage

Le bâti de bureau doit impérativement être déplacé par deux personnes, en position repliée.

Ne traînez pas et ne poussez pas le bâti de bureau sur le sol.

Montez le bâti de bureau uniquement à l'aide des outils fournis. Eux seuls sont garants d'un serrage des vis au couple correct.

## 2.7 Utilisation du bâti de bureau

- Ne permettez pas à des enfants d'utiliser le bâti de bureau sans surveillance. Les enfants peuvent ne pas être conscients des dangers que ce bâti de bureau implique. Ils pourraient être exposés à un très grand risque de blessures, voire à des conséquences fatales. Veillez en tout cas à ce que tout autre réglage soit impossible si le bâti de bureau est malgré tout utilisé par des enfants.
- Le bâti de bureau doit être employé uniquement dans des endroits appropriés (voir Chapitre 4, Caractéristiques techniques).
- Ne l'utilisez pas sur une surface irrégulière, car il manquerait de stabilité.
- Ne dépassez jamais la charge maximale que peut supporter le bâti de bureau (voir Chapitre 4 Caractéristiques techniques).

## 2.8 Risques spécifiques

- Il existe un risque de blessure lors du réglage de la hauteur du bâti. Veillez à ce que personne ne se trouve à proximité immédiate du bâti.
- Lors du montage du bâti de bureau, veillez à ce qu'il y ait un espace suffisant pour éviter tout choc (p.ex. pente de toit, objets fixes, armoires à archives, corbeilles à papier, etc.) dans toutes les directions possibles.
- Veillez à ce qu'il y ait un espace suffisant pour éviter les chocs en cas de présence d'objets (ordinateurs ou périphériques) sur le plan de travail.
- Veillez à respecter un espacement d'au moins 25 mm par rapport à tout autre meuble, autour du bâti de bureau.

## 2.9 Procédure à suivre en cas d'urgence

- Cessez immédiatement d'utiliser le bâti de bureau dès que vous notez quelque chose d'inhabituel (bruits étranges, etc.).
- Faites-le réparer par des spécialistes. Évitez de l'utiliser jusqu'à ce qu'il ait été correctement réparé.

## 2.10 Maintenance et entretien

- Le bâti de bureau et ses composants sont des pièces qui nécessitent peu d'entretien et qui ne requièrent aucune maintenance spéciale régulière.
- Ne réparez pas vous-même le plan de travail ou d'autres composants.
- Ne procédez à aucune modification structurelle du plan de travail ou de son bâti.
- Tout composant défectueux retiré doit être remplacé par des composants neufs et d'origine provenant du fabricant. Utilisez exclusivement des pièces de rechange d'origine du fabricant. Faites réaliser ce travail par un spécialiste, qui se référera à cette notice de montage/d'utilisation.

## 2.2 Nettoyage

- Dépoussiérez le bâti de bureau avec un chiffon sec une fois par semaine.
- Nettoyez le bâti de bureau avec un chiffon humide et un détergent doux tous les quinze jours.

## 2.12 Risques persistants

Ce bâti de bureau a été conçu selon l'état de la technique et les réglementations de sécurité reconnues. Toutefois, son utilisation peut entraîner un risque pour l'intégrité physique et la sécurité des utilisateurs ou de tiers, et endommager ce bâti ou d'autres composants. Utilisez le bâti de bureau exclusivement :

- pour le but pour lequel il a été conçu.
- dans des conditions de sécurité absolues.

### 3 Montage



**Avant de commencer le montage, lisez les consignes de sécurité au Chapitre 2.**

#### 3.1 Contrôle de l'étendue de la livraison

- Ouvrez délicatement l'emballage en carton.
- Pour ce faire, n'utilisez pas de couteaux à longue lame. Ils pourraient endommager les composants contenus dans l'emballage.
- Contrôlez les composants fournis par rapport à la liste au Chapitre 1.4 Étendue de la livraison
- Contrôlez le contenu quant à des dommages visibles dus au transport, en prêtant particulièrement attention aux câbles électriques. En cas de dommages quels qu'ils soient ou de composants erronés, contactez le service après-vente (voir Chapitre 6).
- N'essayez pas de monter le bâti de bureau en cas de dommages ou de composants erronés quels qu'ils soient.

#### 3.2 Emballage

- Retirez l'emballage. Traitez-le comme déchets ménagers/papier
- Observez la législation nationale

#### 3.3 Couples de serrage pour les vis utilisées

- Montez le bâti de bureau uniquement à l'aide des outils fournis.

#### 3.4 Montage du bâti de bureau

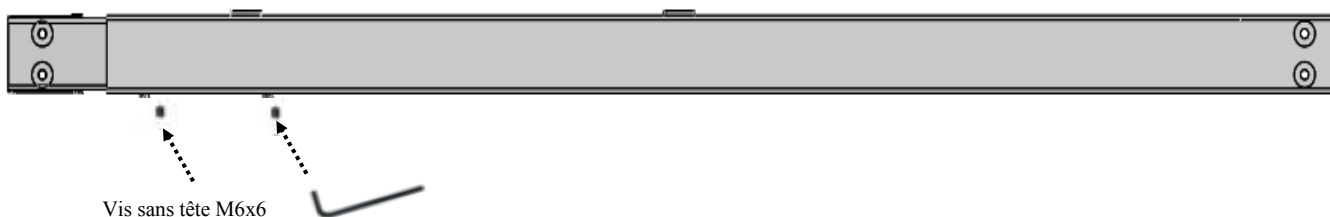
##### 3.4.1 Prémontage de la traverse

Assemblez les composants suivants :

| #    | Désignation        | Qté |
|------|--------------------|-----|
| 06   | Traverse           | 1   |
| 09   | Clé hexagonale M3  | 1   |
| 10.1 | Vis sans tête M6x6 | 2   |

Cotes recommandées :  
Largeur du bâti / Dimensions du plan de travail

|       |        |
|-------|--------|
| 1,1 m | 120 cm |
| 1,3 m | 140 cm |
| 1,5 m | 160 cm |
| 1,7 m | 180 cm |



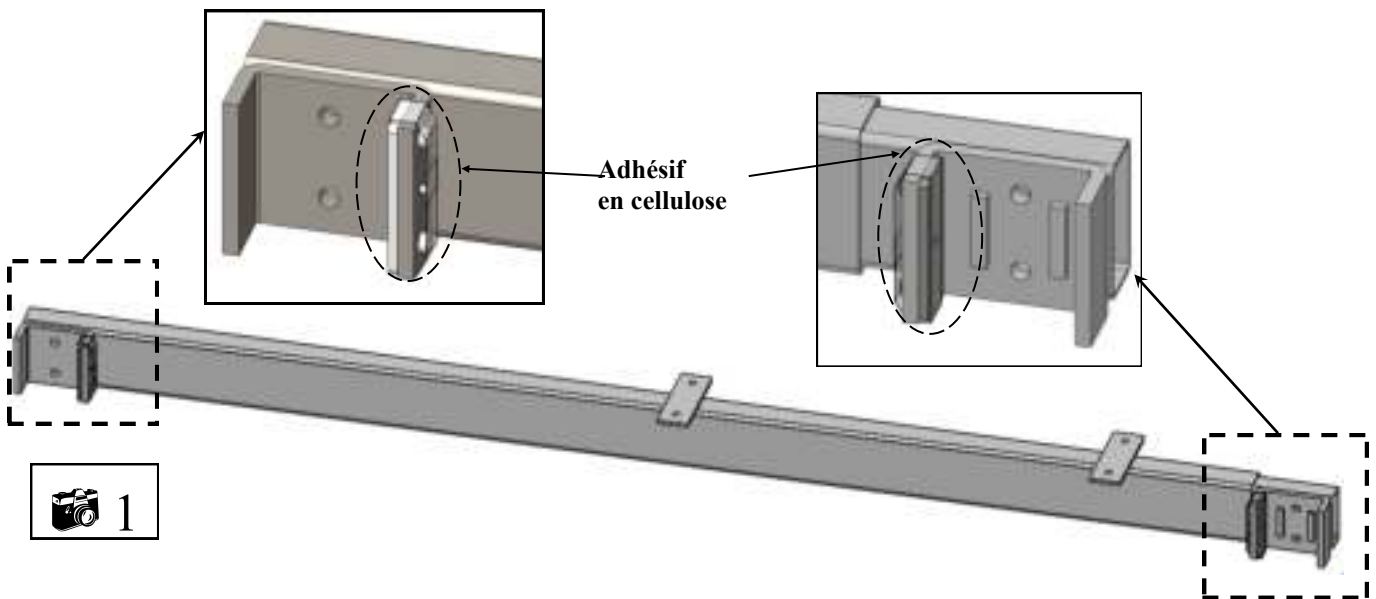
Vis sans tête M6x6

- Vissez les 2 vis sans tête dans les trous filetés.
- Ne serrez pas encore les vis à tête creuse !
- Serrez les vis à tête creuse uniquement après montage des composants à l'étape 3.4.7 'Réglage de la largeur du bâti', page 17.

### 3.4.2 Montage de la traverse

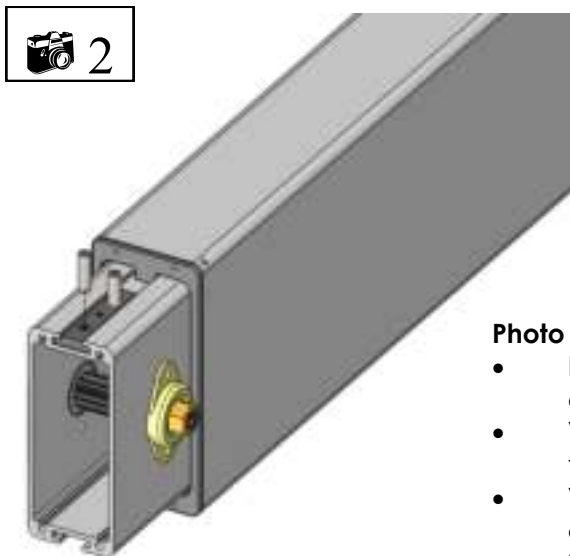
Assemblez les composants suivants :

| #    | Désignation         | Qté |
|------|---------------------|-----|
| 01   | Pied                | 2   |
| 06   | Traverse prémontée  | 1   |
| 09   | Clé à douilles M10  | 1   |
| 09   | Clé hexagonale M3   | 1   |
| 10.2 | Vis sans tête M6x20 | 4   |
| 10.3 | Écrou à embase M6   | 4   |



#### Photo 1

- Retirez l'adhésif transparent en cellulose sur le support de la traverse avant de monter l'unité de pied.

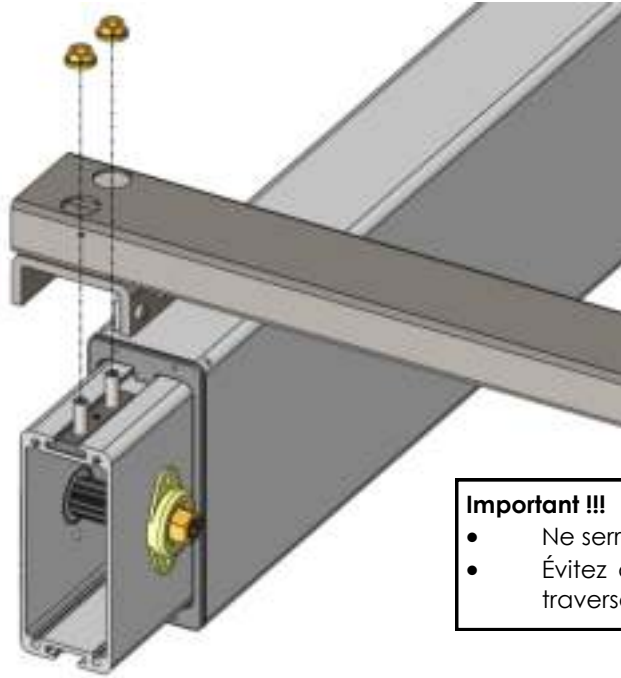


#### Photo 2

- Placez les deux pieds à plat sur le sol, parallèlement l'un à l'autre.
- Veillez à ce que les deux écrous coulissants soient orientés vers le haut.
- Vissez deux vis sans tête dans l'écrou coulissant sur chaque pied.
- Serrez légèrement les vis sans tête à l'aide de la clé hexagonale M3.



 3



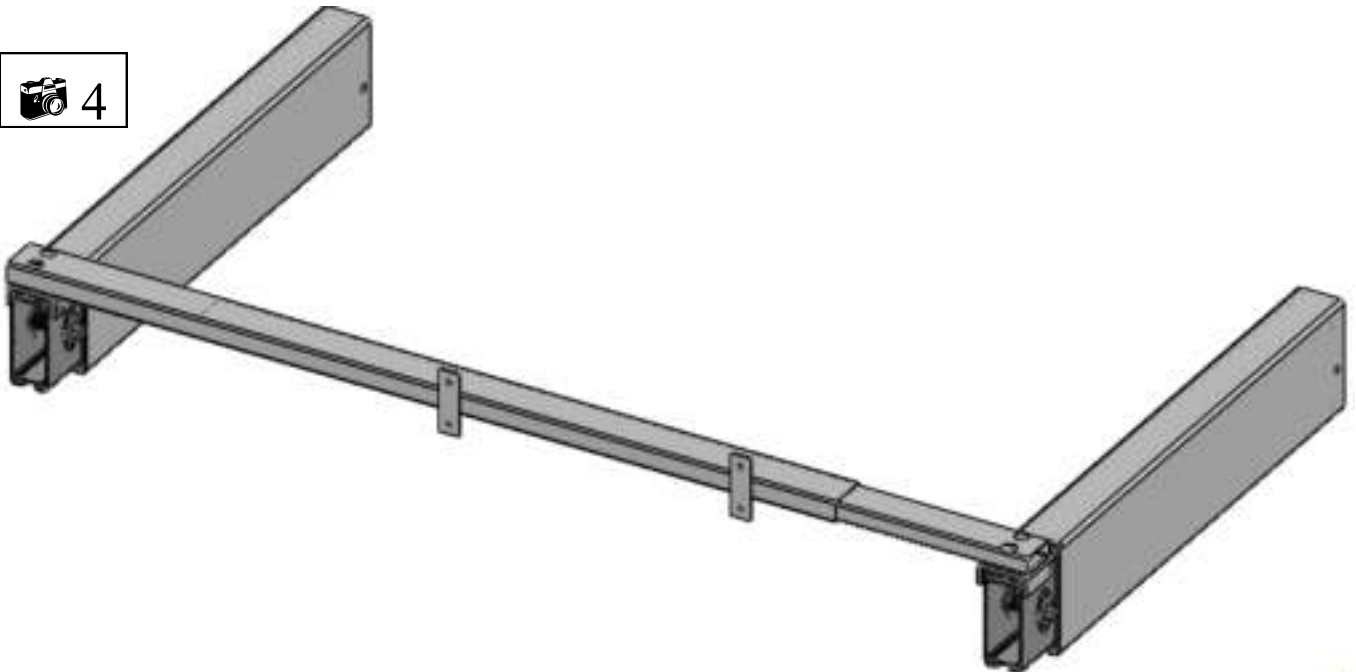
**Important !!!**

- Ne serrez pas entièrement l'écrou à embase.
- Évitez que la plaque dans le support de la traverse ne se détache !!

**Photo 3**

- Insérez la traverse prémontée sur les vis sans tête.
- Placer les 4 écrous à embase sur les vis sans tête.
- Serrez manuellement les 4 écrous à embase à l'aide de la clé à douilles 10.

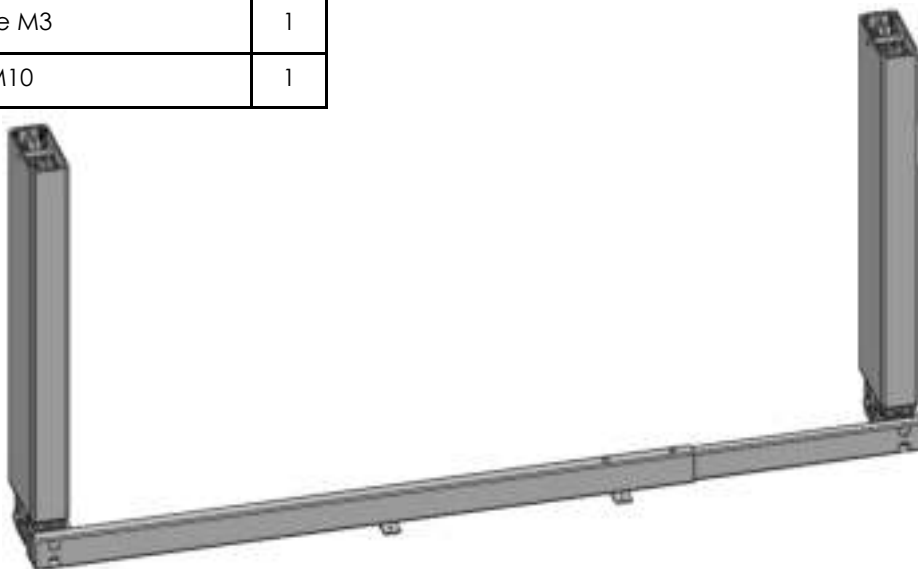
 4



### 3.4.3 Montage des patins

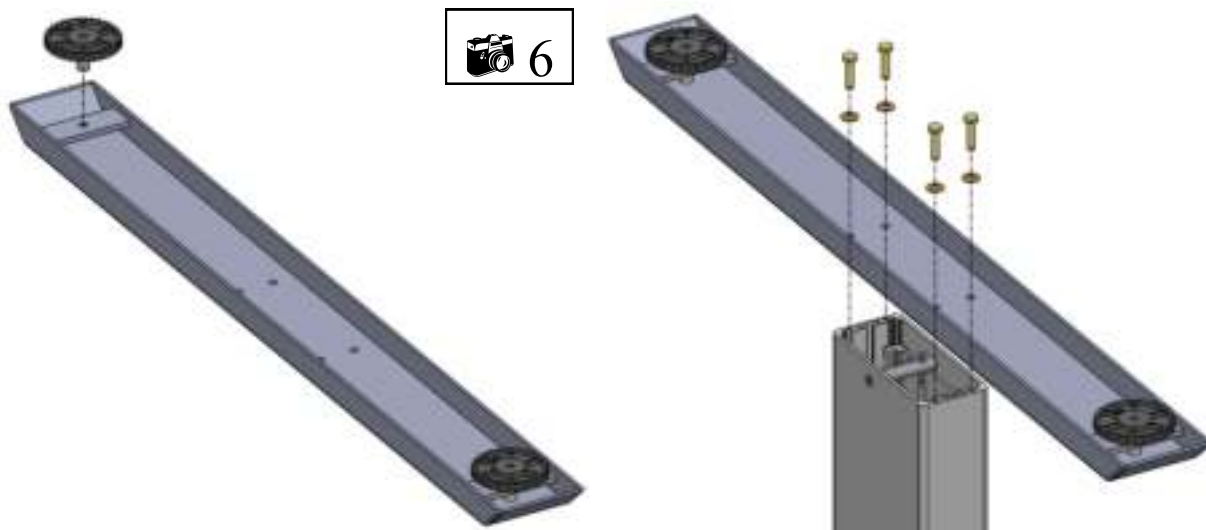
Assemblez les composants suivants :

| #    | Désignation                        | Qté |
|------|------------------------------------|-----|
| 03   | Patin                              | 2   |
| 08   | Patins de niveau                   | 4   |
| 09   | Clé plate M10 / clé à douilles M10 | 1   |
| 10.4 | Boulon hexagonal M6x25             | 8   |
| 10.5 | Rondelle M6                        | 8   |
| 09   | Clé hexagonale M3                  | 1   |
| 09   | Clé à douilles M10                 | 1   |



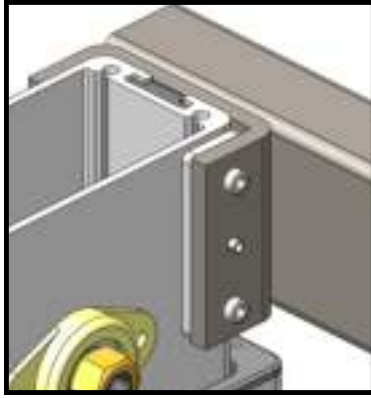
**Photo 5**

- Renversez les pieds et les traverses prémontés (2 personnes)
- Les traverses se trouvent maintenant tout près du sol.
- Sécurisez les pieds prémontés pour éviter qu'ils ne tombent.

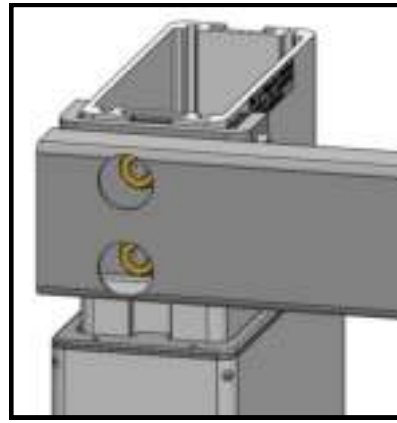


**Photo 6**

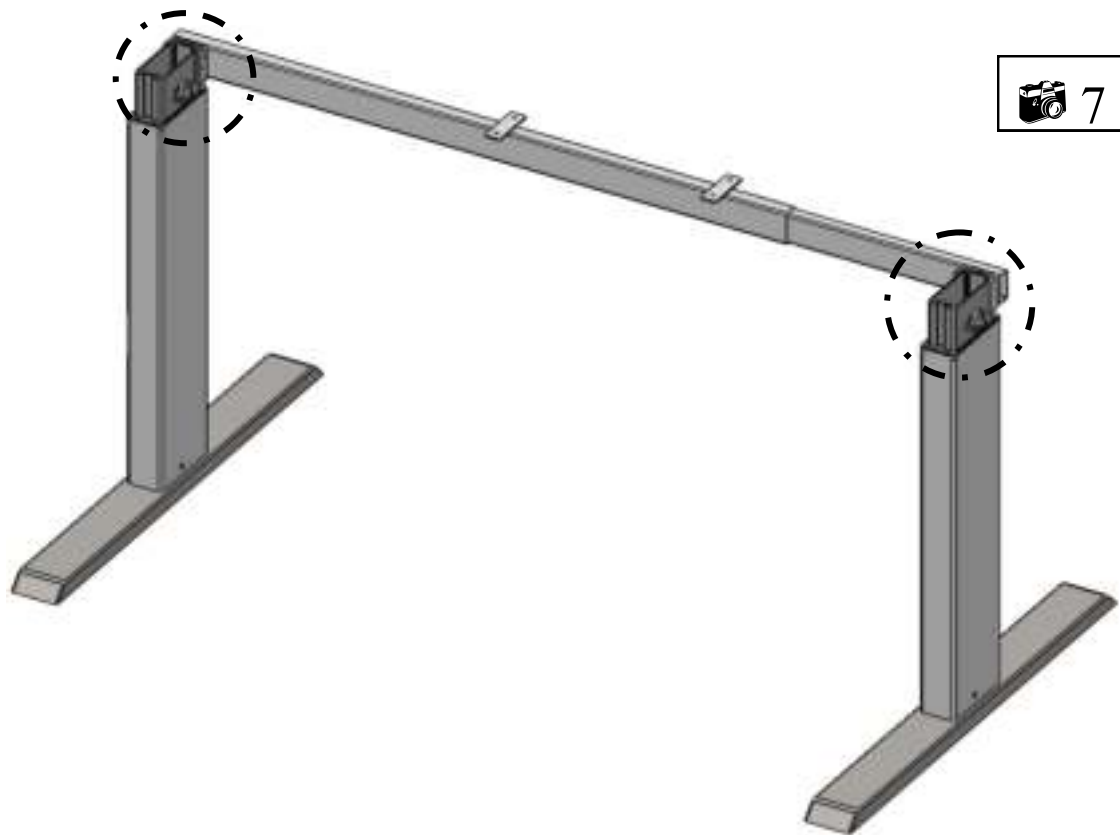
- Vissez 2 patins de niveau sur la partie inférieure de chaque patin.
- Positionnez le patin, comme sur la photo 6, par rapport à la traverse.
- Fixez chaque patin à un pied à l'aide de 4 boulons et de 4 rondelles.
- Serrez les 8 boulons à l'aide de la clé plate M10 / clé à douilles M10.



Serrage des vis sans tête.



Serrez les écrous à em-



**Photo 7**

- Replacez le bâti sur ses patins (2 personnes)
- Uniquement maintenant :-
  - Serrez **FERMEMENT** les 4 vis sans tête sur le support de la traverse à l'aide d'une clé hexagonale M3.
  - Serrez **FERMEMENT** les 4 écrous à embase à l'aide de la clé à douilles M10.

### 3.4.4 Montage de la tige hexagonale

Assemblez les composants suivants :

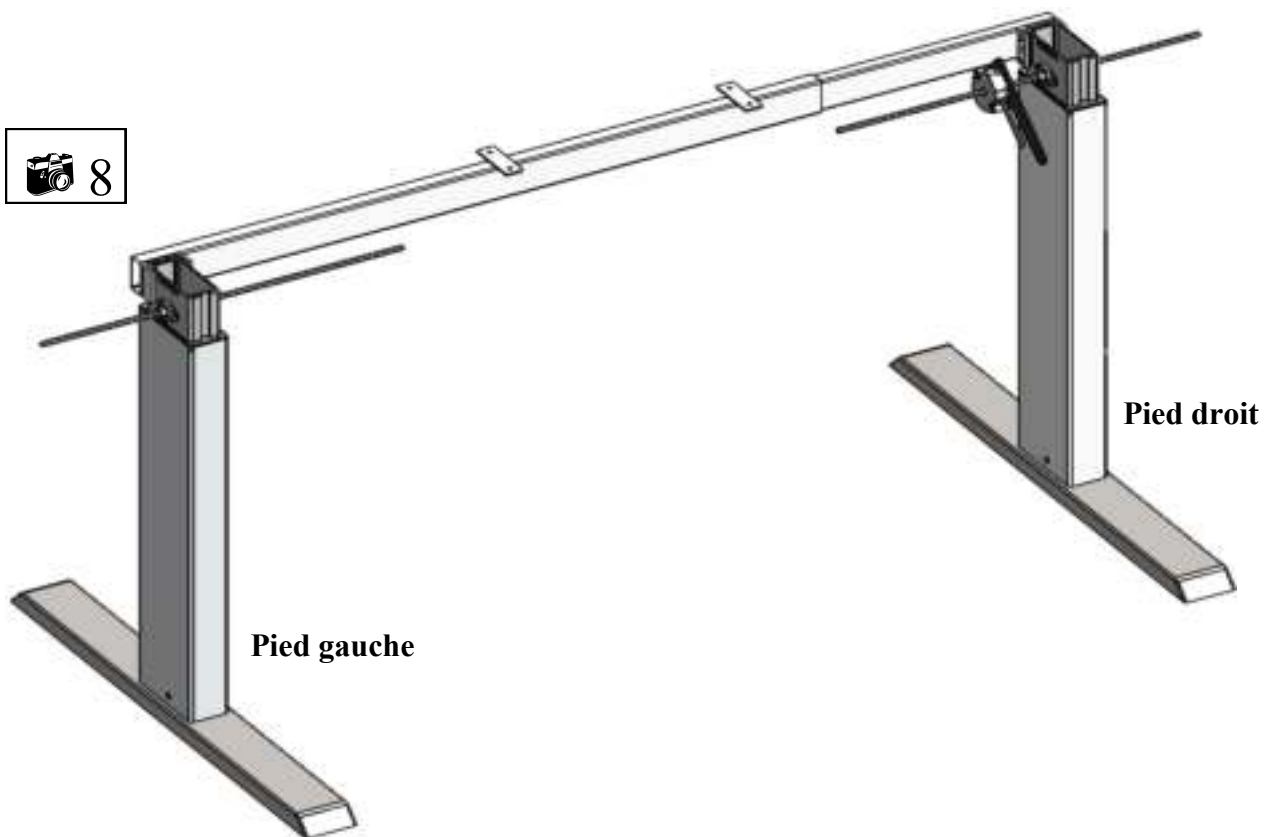
| #  | Désignation        | Qté |
|----|--------------------|-----|
| 04 | Tige hexagonale    | 2   |
| 05 | Entraînement d'axe | 1   |
| 09 | Clé plate M10      | 1   |
| 12 | Engrenage          | 1   |



Veillez à ce que les deux pieds soient entièrement dans leur position la plus basse.

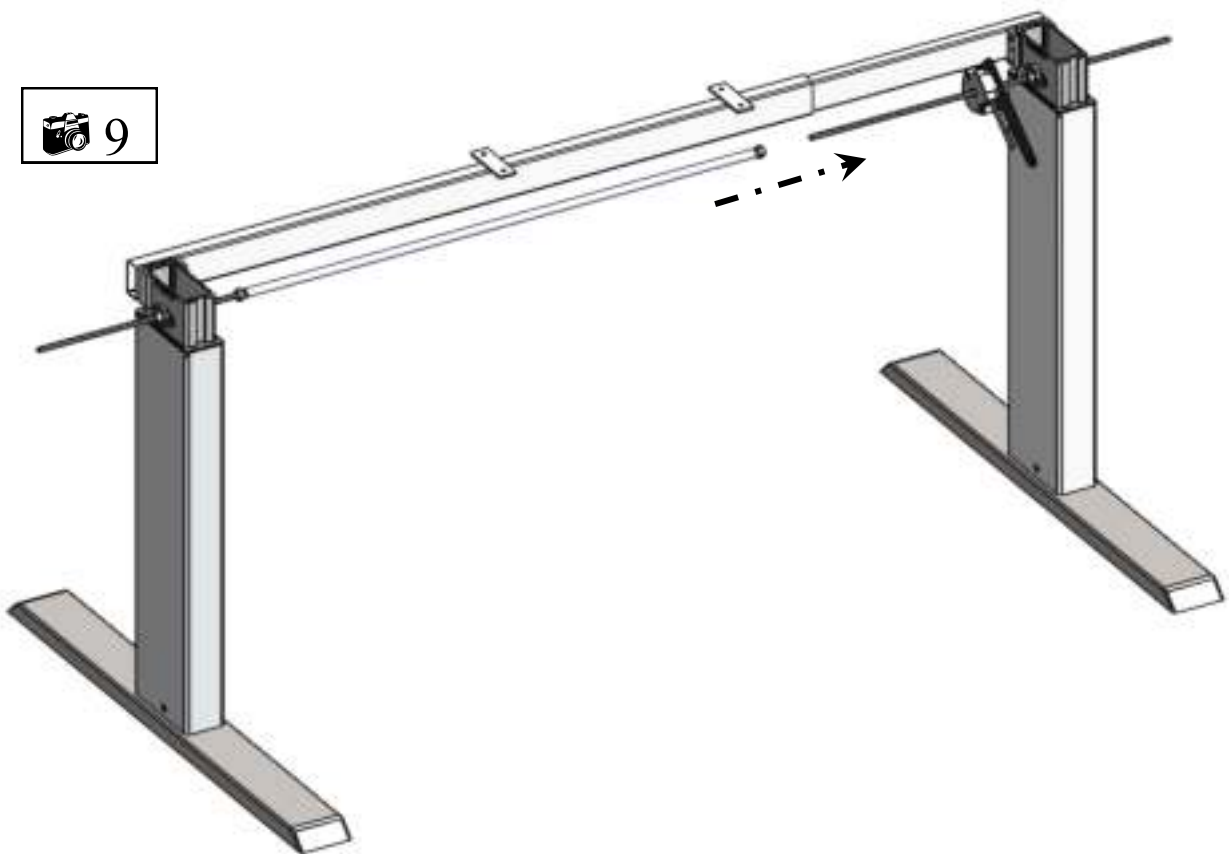


Contrôlez si tous les composants se trouvent dans leur emballage d'origine.



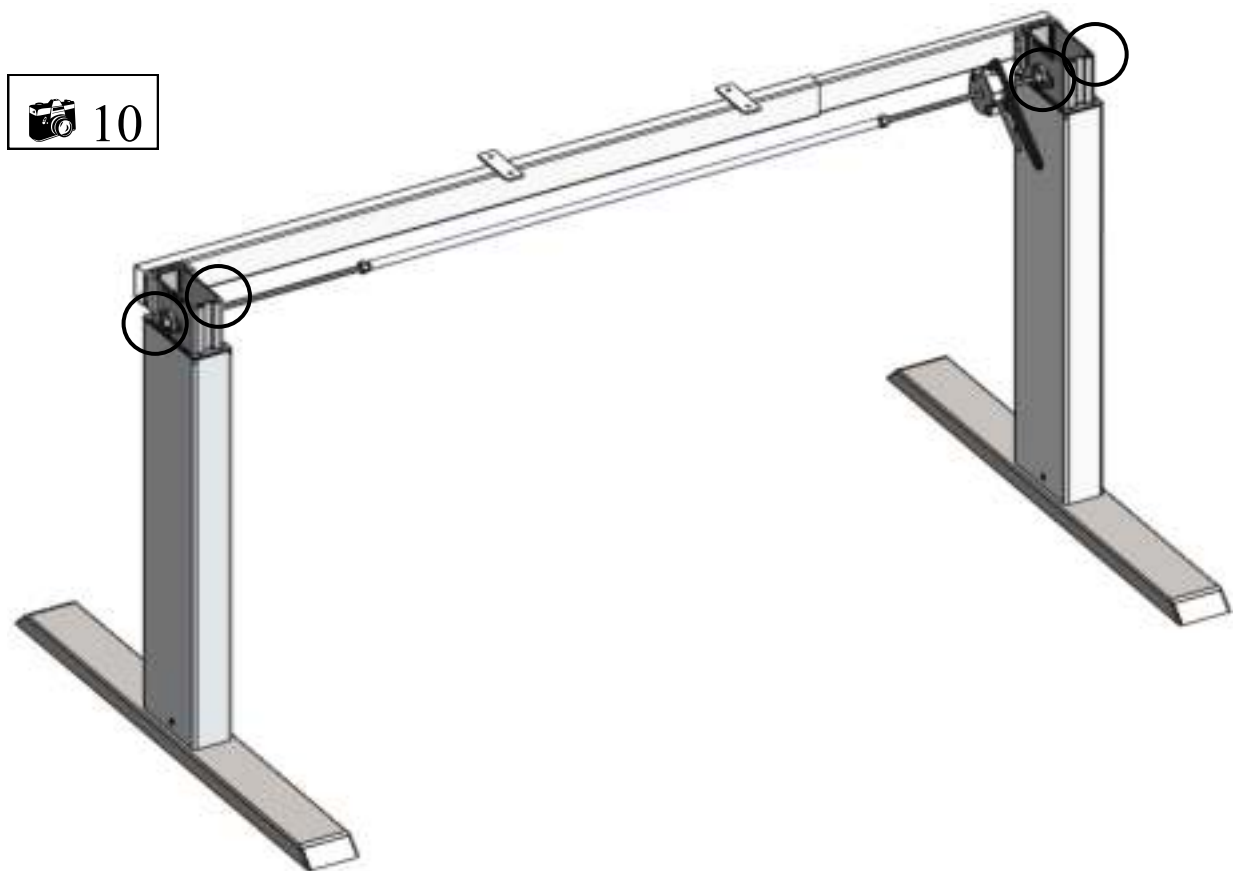
#### Photo 8

- Insérez la 1<sup>ère</sup> tige hexagonale au travers des trous hexagonaux, dans les pieds de gauche jusqu'à ce qu'elle se situe  $\pm 15$  cm à l'intérieur du bâti.
- Insérez la 2<sup>e</sup> tige hexagonale au travers des trous hexagonaux, dans les pieds droits jusqu'à ce qu'elle se situe  $\pm 15$  cm à l'intérieur du bâti.
- Insérez l'engrenage sur la 2<sup>e</sup> tige hexagonale.



**Photo 9**

- Insérez l'entraînement d'axe sur les deux tiges hexagonales.



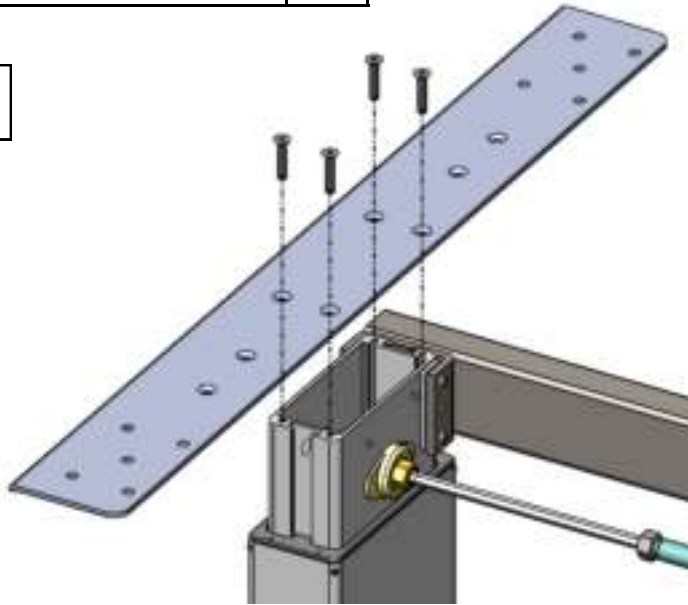
**Photo 10**

- Introduisez les deux tiges hexagonales jusqu'à ce qu'elles soient à fleur avec la face extérieure du pied.
- Serrez les écrous sur le pied.

### 3.4.5 Montage du support de plateau

Assemblez les composants suivants :

| #    | Désignation        | Qté |
|------|--------------------|-----|
| 02   | Support de plateau | 2   |
| 09   | Clé hexagonale M3  | 1   |
| 10.7 | Vis CKS M5x25      | 8   |



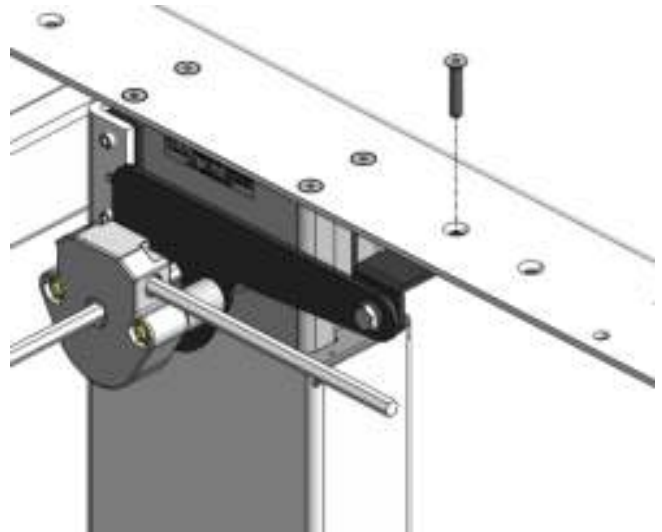
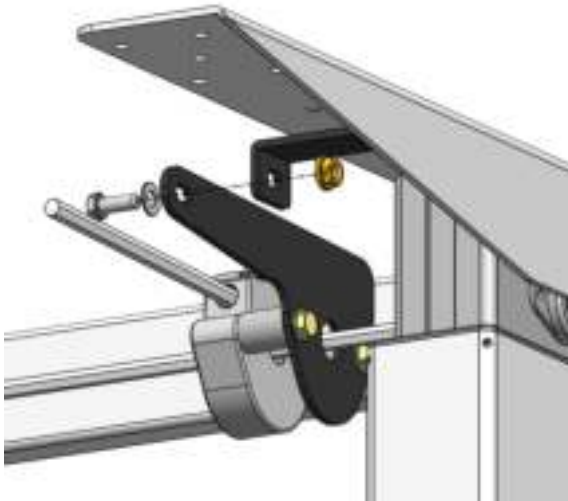
#### Photos 11 & 12

- Positionnez les supports de plateau, comme sur la photo 11, par rapport aux traverses
- Fixez chaque support de plateau à un pied à l'aide de 4 vis CSK
- Serrez les 8 vis à l'aide de la clé hexagonale M3.

### 3.4.6 Montage de la manivelle

Assemble the following components:

| #    | Désignation              | Qté |
|------|--------------------------|-----|
| 07   | Support en L             | 1   |
| 10.7 | Vis CKS M5x25            | 1   |
| 09   | Clé hexagonale M3 & M2.5 | 1   |
| 09   | Clé plate M10            | 1   |
| 10.6 | Boulon M6x16             | 1   |
| 10.5 | Rondelle M6              | 1   |
| 10.3 | Écrou à embase M6        | 1   |
| 11   | Ensemble de manivelle    | 1   |

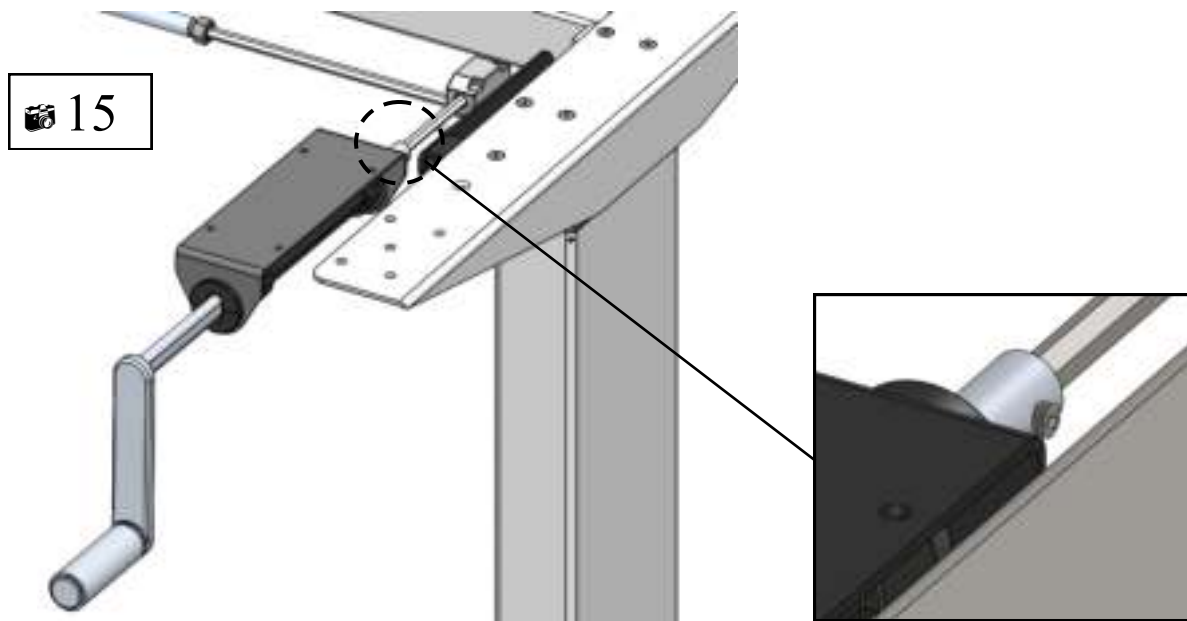


#### Photo 13

- Insérez le boulon hexagonal M6x16mm avec une rondelle M6 au travers du trou spécifique présent dans l'engrenage.
- Insérez le support en L sur boulon déjà mis en place (entre l'engrenage et le support de plateau).
- Vissez l'écrou à embase, comme illustré sur la photo, sur le boulon.

#### Photo 14

- Ajustez l'engrenage vers le support de plateau jusqu'à ce que le trou du support en L soit aligné avec le trou présent sur le support de plateau.
- Vissez le support en L à l'aide de vis CSK M5x25mm.



 15

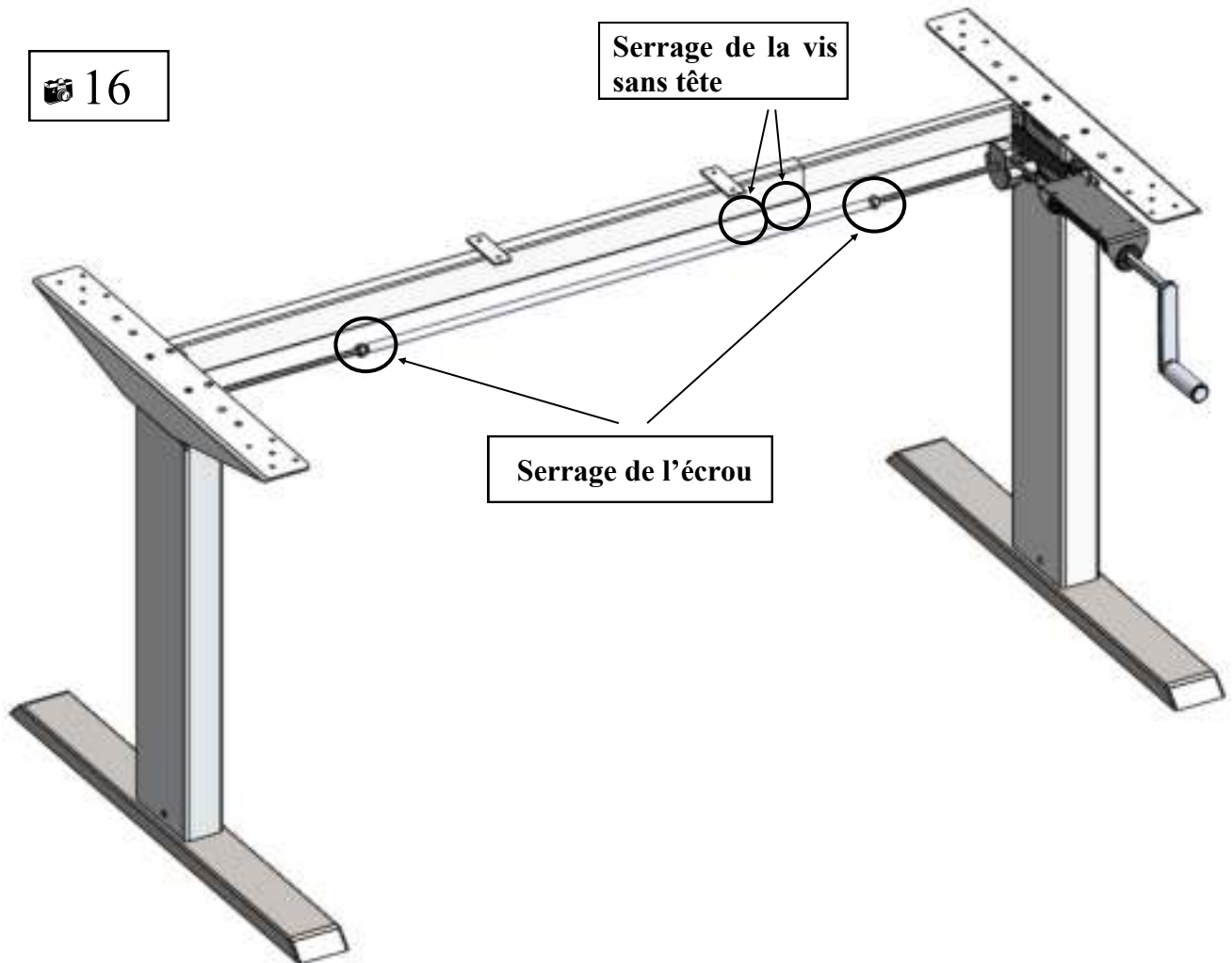
**Photo 15**

- Insérez l'ensemble de manivelle sur l'arbre et serrez la vis sans tête à l'aide de la clé hexagonale M2.5.



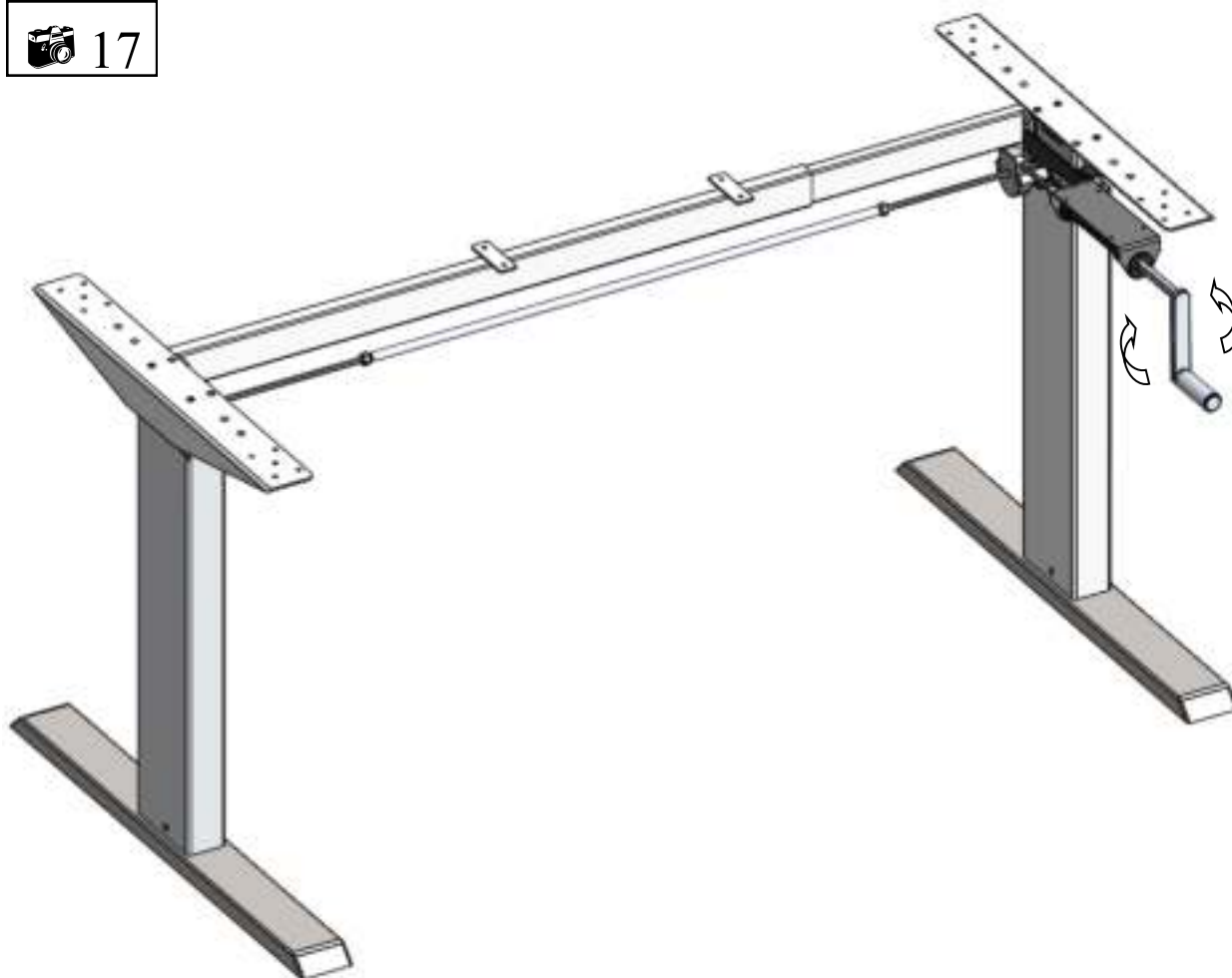
### 3.4.7 Réglage de la largeur du bâti

- Déployez le bâti en fonction de la largeur souhaitée (voir Chapitre 3.4.1 Prémontage de la Traverse)
- Maintenant uniquement, serrez les vis sans tête dans la traverse inférieure et les écrous à pincer sur l'entraînement d'axe à l'aide de la clé plate M 10.



### 3.4.8 Test du bâti sans plan de travail

 17

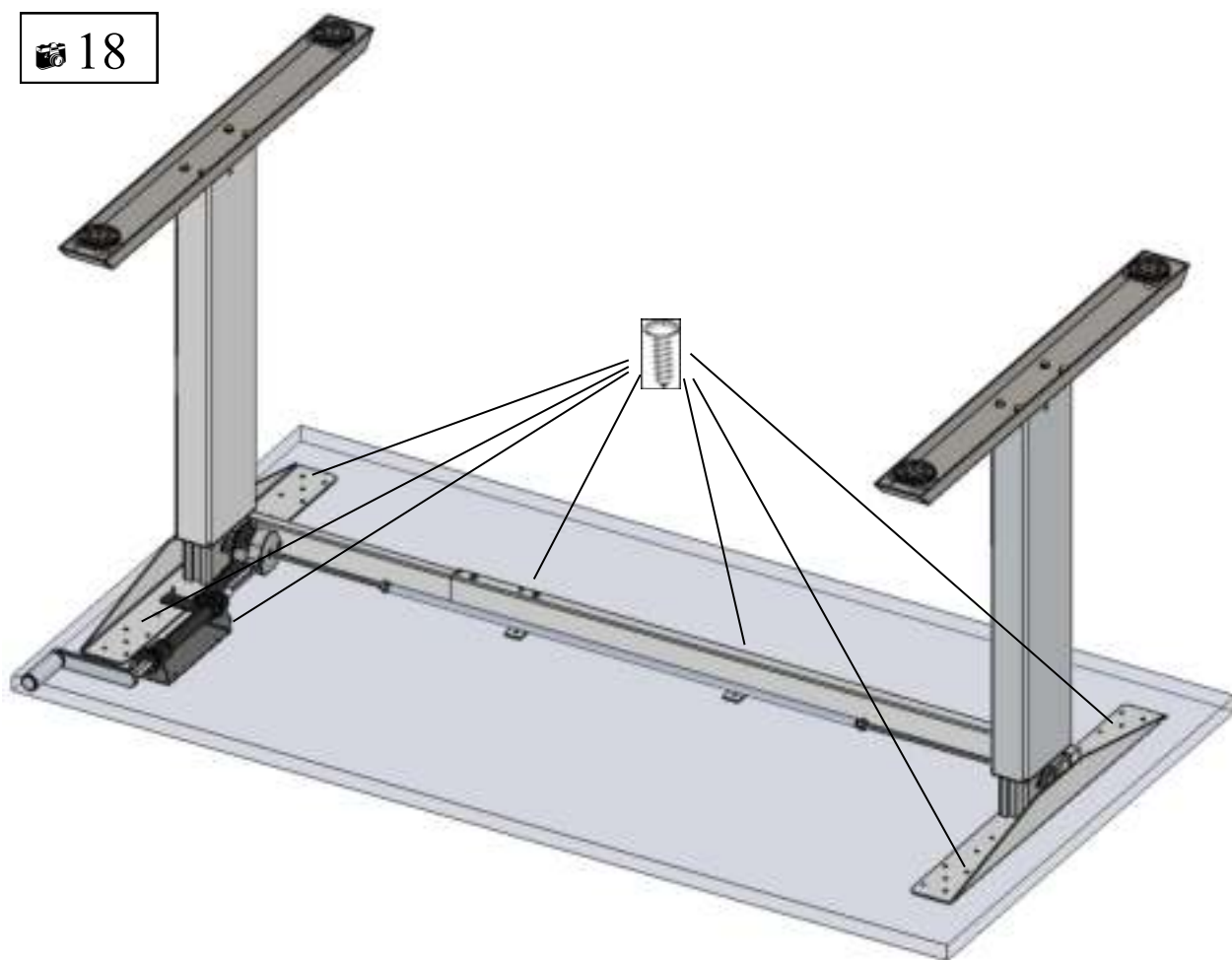


**Veillez à ce que le bâti de bureau puisse toujours se déplacer correctement et sans aucune gêne. Si tel n'est plus le cas, signalez-le au service après-vente (voir Section 6).**

### 3.4.9 Montage du plan de travail

*Voir notice distincte concernant le plan de travail.*

 18



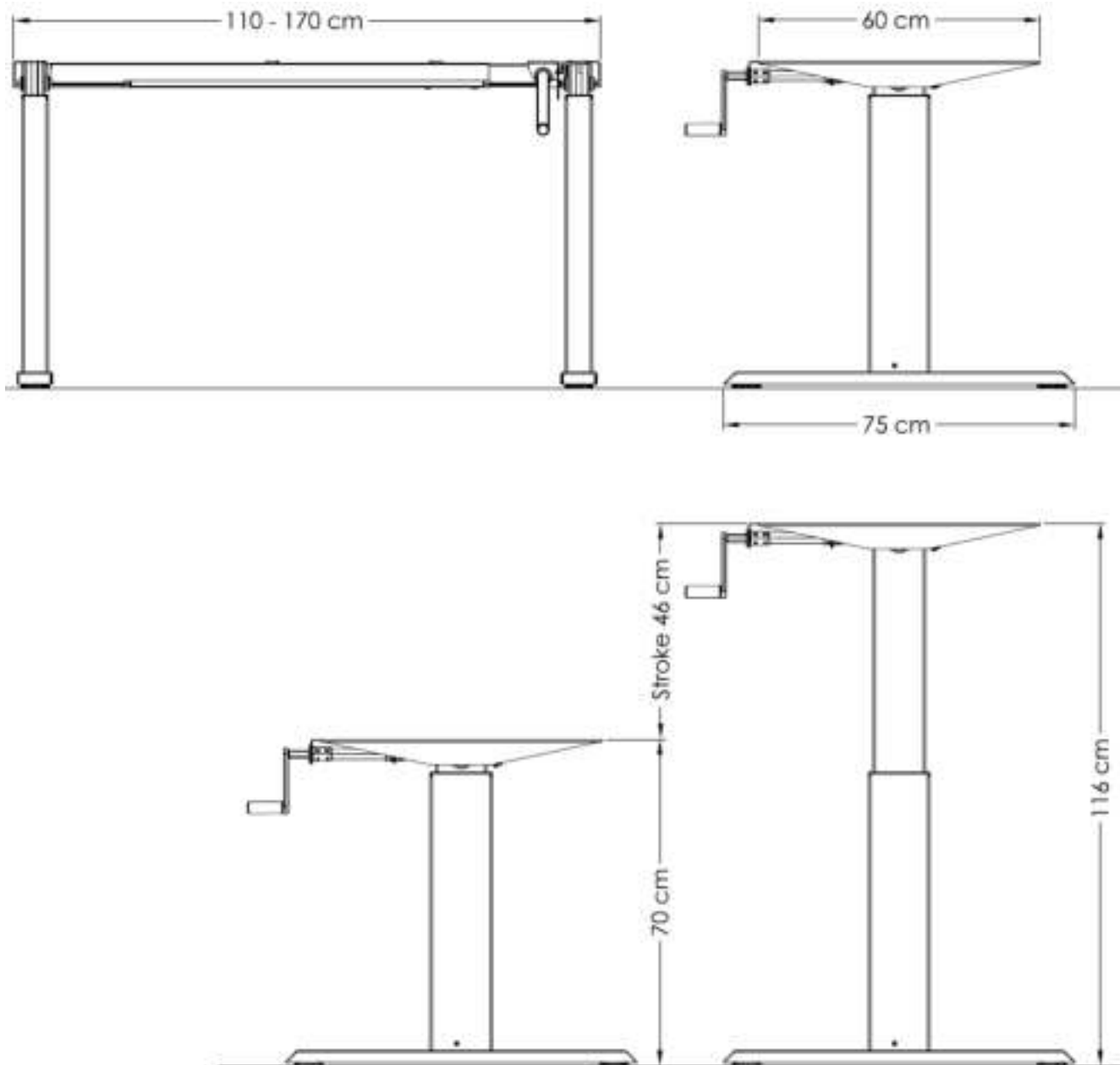
#### 4 Caractéristiques techniques

Bâti pour un poste de bureau réglable manuellement

|  |                                 |
|--|---------------------------------|
| Version de la notice de montage          | P19302-2EN-DE-NL-FR             |
| Année de construction                    | 2020                            |
| Pays de production                       | Malaisie                        |
| Système                                  | À 1 phase, entraînement externe |
| Matière                                  | Aluminium, acier et plastique   |
| Course (max.)                            | 46 cm                           |
| Charge du bâti (max.)                    | 60 kg                           |
| Poids du bâti                            | ± 21 kg                         |
| Température ambiante d'utilisation       | 15 - 30°C                       |
| Température ambiante de stockage         | 10 - 50°C                       |
| Humidité de l'air en utilisation         | <85 %                           |
| Humidité de l'air en stockage            | <50 %                           |
| Durée de stockage max.                   | -                               |
| Utilisation à l'intérieur uniquement !!! |                                 |


#### 4 Caractéristiques techniques

(\* Tolérance générale =  $\pm 1$  cm)




|  |            |
|--|------------|
| Hauteur de bâti minimale               | 70 cm      |
| Hauteur de bâti maximale               | 116 cm     |
| Course maximale                        | 46 cm      |
| Largeur de bâti                        | 110-170 cm |
| Profondeur de bâti                     | 75 cm      |
| Profondeur minimale du plan de travail | 60 cm      |
| Charge maximale                        | 60 kg      |

## 5 Fonctionnement et Indicateurs

|   |   |
|---|---|
|  | <p><b>Observez les dispositions du Chapitre 2 Consignes de sécurité en page 5, en particulier :</b></p> <p><b>Ne permettez pas à des enfants d'utiliser le bâti de bureau sans surveillance. Les enfants peuvent ne pas être conscients des dangers que ce bâti de bureau implique. Ils pourraient être exposés à un très grand risque de blessures, voire à des conséquences fatales.</b></p> <p><b>Ne dépassez pas la temporisation maximale du bâti de bureau.</b></p> <p><b>Veillez à ce qu'il y ait un espace suffisant pour éviter les chocs en cas de présence d'objets (ordinateurs ou périphériques) sur le plateau de bureau.</b></p> |
|---|---|

### 5.1 Indicateurs

|   |  |
|---|--|
|  | <p><b>Éloignez-vous des environs immédiats du bâti de bureau dès qu'il se met spontanément en mouvement. N'essayez absolument jamais d'actionner le bâti de bureau. Faites-le réparer par des spécialistes. Évitez de l'utiliser jusqu'à ce qu'il ait été correctement réparé.</b></p> <p><b>Cessez immédiatement d'utiliser le bâti de bureau dès que vous notez quelque chose d'inhabituel (bruits étranges, fumée, etc.).</b></p> <p><b>Faites-le réparer par des spécialistes. Évitez de l'utiliser jusqu'à ce qu'il ait été correctement réparé.</b></p> <p><b>Mettez immédiatement le bâti de bureau hors service dès la moindre défaillance des dispositifs de sécurité (p. ex. interrupteur à clé, interrupteur de fin de course).</b></p> |
|---|--|

## 6 Service après-vente

Lorsque vous contactez votre revendeur, veillez à disposer des informations nécessaires à portée de main.

*Revendeur :*

## 7 Fabricant

**Actiforce International B.V.**

Het Steenland 20  
3751 LA Bunschoten-Spakenburg  
The Netherlands

+31 (0)33 4600120  
[www.actiforce.com](http://www.actiforce.com)  
[info.holland@actiforce.com](mailto:info.holland@actiforce.com)

## 8 Recyclage

### 8.1 Démontage du poste de travail

- Pour le démontage, suivez les consignes dans l'ordre inverse ou contactez le service après-vente.

### 8.2 Recyclage

- Veuillez trier tous les composants en fonction du type de matière. Respectez les restrictions nationales !

