

# Retro Fridge RF130

## Instruction Manual

English / Nederlands / Deutsch / Français

**moa**  
color your life

[www.moacolors.com](http://www.moacolors.com)

## BEFORE USE

Before use, please read this manual carefully.

### **Only connect the appliance to an earthed wall socket.**

This appliance is for household use only. When using electrical appliances, basic safety precautions should always be followed to avoid fires, electric shocks, burns, or other injuries and damage. Read these operating and safety instructions carefully.

## IMPORTANT SAFEGUARDS (1/6)

1. Risk-off child entrapment. Before you throw away your old appliance:
  - Take off the doors.
  - Leave the shelves in place so that children may not easily climb inside.
  - Cut the connection cable (as close to the appliance as you can.)
  - If this appliance you are replacing featured a spring lock (latch) on the door or lid, be sure to make that spring lock unusable before you discard the old appliance. This will prevent it from becoming a death trap for a child.
2. Make sure your outlet voltage and circuit frequency correspond to the voltage stated on the appliance rating label. If this is not the case, contact the after-sales support line and do not use the refrigerator.
3. Do not use any other appliance at the same time on the same electrical circuit as it may overload the circuit and blow the fuse or circuit breaker.
4. To protect against fire and electric shock, do not immerse the cord, plug, power base, or the Retro Under Counter Fridge body itself in water or other liquid. Do not expose the electrical connections to water.
5. The cord should be run in such a way that there will be no risk of anyone pulling it inadvertently or tripping over it.

## IMPORTANT SAFEGUARDS (2/6)

6. Do not kink, bend, squash, strain, or damage the power cord and protect it from sharp edges and heat.
7. Grip the plug when disconnecting, do not pull the cord.
8. Do not let the cord hang over the edge of a table or benchtop. Do not let it touch hot surfaces.
9. Do not pick up or operate the appliance if the power supply cord or plug is damaged, or after it malfunctions or has been dropped or damaged in any way.
10. In case of damage, contact the after-sales support line for advice.
11. A damaged cord or plug must be replaced by the manufacturer or a qualified person to avoid a hazard.
12. Make sure all electrical connections are clean and dry before switching on.
13. Do not use this appliance in conjunction with an extension cord.
14. Unplug the appliance from the power outlet when not in use and before cleaning, servicing, maintenance, or moving the appliance.
15. This appliance is not intended to be operated by means of an external timer or separate remote control system.
16. This appliance is intended for domestic use only.
17. This product is not intended for commercial use. Do not use it outdoors.
18. Only use this refrigerator as described in this manual. Any other use is not recommended and may cause fire, electric shock, or injury.
19. Improper installation and the use of accessories not recommended by the appliance manufacturer may result in fire, electric shock, or personal injury and will invalidate your warranty.

## IMPORTANT SAFEGUARDS (3/6)

20. We assume no responsibility for any eventual damages caused by improper or faulty use.

21. This appliance is not intended for use by persons (including children) with a reduced physical, sensor, or mental capabilities, or lack of experience and knowledge unless they have been given supervision or instruction concerning the use of the appliances by a person responsible for their safety.

22. Children should be supervised to ensure they do not play with the appliance.

23. Close supervision is necessary when any appliance is used by or near children.

24. Do not use chemical, steel wool, or abrasive cleaners to clean the outside of the unit, as these will scratch the metal surface.

25. Do not operate the unit near liquids (kitchen sink, water basins, taps, etc).

26. Ensure that all the parts are correctly assembled before operating.

27. Maintain the appliance following the instructions to ensure that it functions properly.

28. If there is a product malfunction, or if it has been damaged in any way, call the after-sales support for assistance.

29. Immediately unplug the appliance if fire or smoke is emitted.

30. Place the product on a straight, rigid, and stable surface, away from sources of direct sunlight or excessive heat.

31. Do not place the product near heat sources such as radiators, heat registers, stoves, or other appliances that produce heat.

32. Do not place the product near other items that may damage it, such as naked flame sources (lit candles) or objects containing water (a vase or fishbowl).

33. Take care that no objects fall and no liquids are spilled into any openings.

## IMPORTANT SAFEGUARDS (4/6)

34. Prevent overheating: Place the product in a sufficiently aerated place. Ensure that air can circulate freely around the back of the refrigerator. To ensure best performance, leave a distance of about 100mm to all sides of the fridge.

35. This appliance features a short power cord to reduce the risk of being entangled, and to reduce the risk of tripping. An extension cord or longer detachable cord is not recommended for use with this product.

36. There are no user-serviceable parts inside. Do not attempt to service this product. Please call our after sales support for instructions.

**Danger!** Risk of fire or explosion. Flammable refrigerant used. To be repaired only by trained service personnel. Do not puncture refrigerant tubing.

**Caution!** Risk of fire or explosion. Flammable refrigerant used. Consult repair manual/owner's guide before attempting to service this product. All safety precautions must be followed.

**Caution!** Risk of fire or explosion. Dispose of property in accordance with federal or local regulations. Flammable refrigerant used.

**Caution!** Risk of fire or explosion due to puncture of refrigerant tubing; follow handling instructions carefully. Flammable refrigerant used.

37. The refrigerant isobutane (R600a) is contained within the refrigerant circuit of the appliance, a gas with a high level of environmental compatibility, which is nevertheless flammable. During transportation and installation of the appliance, ensure that none of the components of the refrigerant circuit become damaged.

**WARNING:** Do not damage the refrigerant circuit! Never use an appliance with a damaged refrigerant circuit! If the refrigerant circuit becomes damaged, avoid proximity to open fires and all types of heat and ignition sources. Thoroughly ventilate the room in which the appliance is located.

## IMPORTANT SAFEGUARDS (5/6)

38. It is hazardous for anyone other than an authorized service person to service this appliance.

39. The room for installing the appliance must be at least 1 m<sup>3</sup> per 8g of refrigerant. The amount and type of refrigerant in the appliance can be found in the Technical Specifications.

40. Do not use other electrical appliances (such as ice cream makers) inside of refrigerating appliances, unless they are approved for this purpose by the manufacture.

41. Do not store explosive substances such as aerosol cans with a flammable propellant in this appliance.

42. During transportation and installation of the appliance, be certain that none of the components of the refrigerant circuit are damaged.

43. Avoid open flames and sources of ignition.

44. Thoroughly vent late the room in which the appliance is situated.

45. It is dangerous to alter the specifications or modify this product in any way.

46. Any damage to the cord may cause a short circuit, fire, and/or electric shock.

47. This appliance is heavy. Care should be taken when moving it. To avoid back or other injuries, consider a two-person lift or mechanical aid when installing it. Failure to do so can result in back or other injuries.

48. Avoid prolonged exposure of the appliance to direct sunlight.

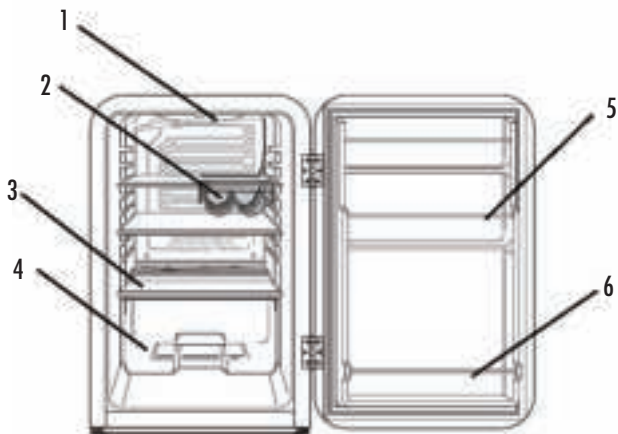
49. This appliance is intended to be used in a household only.

50. Any electrical components (plug, power cord, compressor and etc.) must be replaced by a certified service agent or qualified service personnel.

## IMPORTANT SAFEGUARDS (6/6)

51. DO NOT USE AN EXTENSION CORD. Use an exclusive wall outlet. Do not connect your refrigerator to extension cords or in an outlet used by any other appliance.
52. Make sure that the power plug is not squashed or damaged by the back of the appliance. A squashed or damaged power plug may overheat and cause a fire.
53. Before first use, it is advisable to wait at least eight hours before connecting the appliance to allow the oil to flow back in the compressor.
54. Adequate air circulation should be around the appliance, lacking this leads to overheating. To achieve sufficient ventilation follow the instructions relevant to installation.
55. The appliance must not be located close to radiators or cookers.
56. Make sure that the mains plug is accessible after the installation of the appliance.
57. Do not put hot food in the appliance.
58. Store pre-packed food in accordance with the food manufactures instructions.
59. WARNING! Do not use mechanical devices or other means to accelerate the defrosting process. Never use a sharp or metal instrument to remove frost or clean the appliance. Use a plastic scraper, if necessary.
60. Appliance storage recommendations should be strictly adhered to. Refer to relevant instructions.
61. If the refrigerator is unplugged, turned off, or has lost power, you must wait for 3 to 5 minutes before restarting the unit. If you attempt to restart before this time delay, the refrigerator will not start.

## PARTS & PLACEMENT



- 1. LED light
- 3. Glass shelf
- 4. Salad Box

- 2. Wine Rack
- 5. Door/Bottle Shelf
- 6. Door/Bottle Shelf



## SETTING UP APPLIANCE

### Unpacking:

- This product has been packaged to protect it against transportation damage. Remove all packaging materials from around and inside the appliance, but do not remove any foam insulation surrounding the pipes at the back. Keep the original packaging carton and materials in a safe place; it will help prevent any damage if the product needs to be transported in the future, and you can use it to store the appliance when it is not in use. If the carton is to be disposed of, please recycle all packaging materials where possible.

- Plastic wrapping can be a suffocation hazard for babies and young children, so ensure all packaging materials are out of their reach and disposed of safely.

- Parts: Check to ensure you have all the parts pictured on the previous page spread.

- Unwind the power cord to its full length and inspect it for damage. Do not use the appliance if the appliance or its cord has been damaged or is not working properly. In case of damage, contact our after-sales support line for advice on examination, repair, or return of the damaged product.

- Make sure the refrigerator is disconnected from the power supply before cleaning the interior surfaces and all internal accessories with lukewarm water, a soft cloth, and a neutral/mild soap/detergent. This will remove any dust from transit and storage and help remove the typical smell of a brand new product. Then dry thoroughly. Important: do not use harsh or abrasive detergents or powders as these will damage the finish.

## DOOR HANDLE INSTALLATION

The door handle comes unattached due to packaging restrictions. It is easily attached by following the instructions below.

### 1. Handle accessories



#1 Screw  
Qty. 2



#2 Screw  
Qty. 2

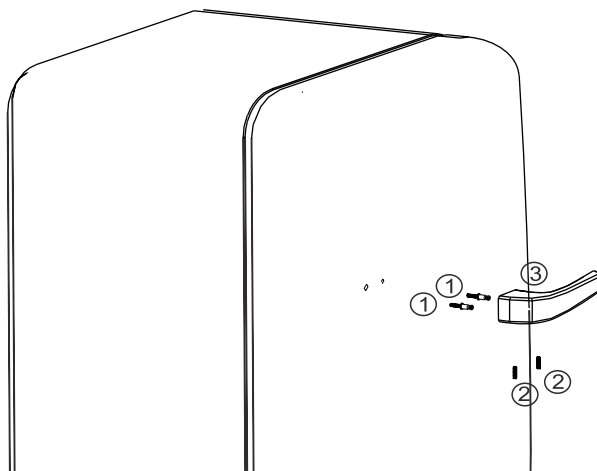


#3 Door handle  
Qty. 1

### 2. To install the handle, follow the instructions below:

Remove the original screws from door.

- Fix the two screws (1) on the door.
- Put the metal handle (3) into the two fixed screws, match the two holes on the handle.
- Install screw (2) at the bottom of handle and fasten it tightly.



#### Installing the refrigerator:

- Before installing your new fridge, read all safety instructions in this manual, then follow the instructions below:
- Place the fridge on a sturdy, level floor for quieter operation. Ensure that the floor is strong enough to support the fridge when it is fully loaded.
- If the refrigerator is to be placed on a carpet, support it with a wooden board underneath. Be aware that placing the refrigerator on the carpet may mean that heat from the compressor may cause the carpet to fade.
- This appliance is designed to be freestanding only and should not be recessed or built-in.
- Do not tilt the fridge more than 45° from upright when moving it.
- Avoid areas where the appliance would be exposed to direct sunlight, sources of heat (stove, heater, radiator, etc.), extreme cold ambient temperatures, or excessive moisture and high humidity. Installing it in the coolest area of the room will save energy consumption and running costs.
- Handle with care! Do not apply force to any part such as the condenser or door. The metal rails on the bottom underneath of this refrigerator may have sharp edges, so always unpack and handle with care. Do not drag the unit: place it carefully in position to avoid scratching the floor.

#### Space requirements:

- Place the unit so there is enough space for the door to open.
- Ensure that air can circulate freely around the back of the cabinet, which is necessary to cool the compressor and condenser. Allow at least 100mm clear space at the back and 50mm at the sides of the unit.

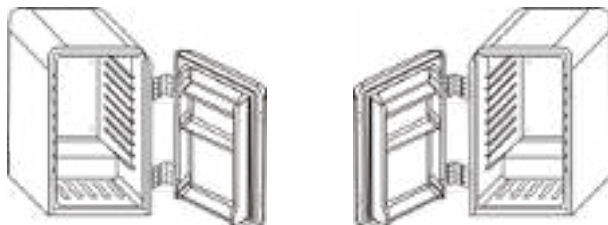
#### Leveling:

- The appliance must be installed level in order to work properly. If the unit is not level, the doors and magnetic seal alignments will not be covered properly.
- To level the unit, adjust one or both leveling feet at the base of the unit.

## REVERSIBLE DOOR

The door can be opened from left to right and vice versa. Should you wish to change the opening direction, please follow these instructions.

Note: All parts removed should be kept safely. You will require these for the reinstallation of the door.



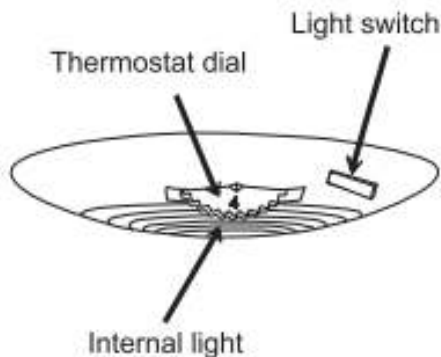
Support the door from the bottom

Remove the six screws that affix the hinges and two spacers to the cabinet frame

- Place the door flat on a padded surface to prevent scratching  
Remove the six hinge screws that affix the hinges to the Retro door  
Remove the blanking plugs from the opposite side and use to plug the holes exposed by the removal of the hinge  
Screw the hinges onto the opposite side of the door  
Pick the door up and carefully align with the cabinet holes  
Screw the remaining six screws into both hinges and the two spacers into the cabinet to secure the door.

## MECHANICAL CONTROLLER

The mechanical thermostat temperature control and the LIGHT on/off switch is located at below places:



Temperature settings:

The settings 0(OFF) - 7(MAX) regulate the interior temperature of the refrigerator.

Setting 0(OFF) = not operating (Please press the knob and turn to get the "0" position)

Setting 1(MIN) = lowest setting (warmest internal temperature) Setting 7(MAX) = highest setting (coldest internal temperature)

NOTE: The refrigerator temperature will vary depending on the number of cans/ bottles stored and on the frequency with which the door is opened. The internal temperature varies in different parts of the refrigerator. The back of the refrigerators is the coldest. Please keep the cans/bottles away from the rear wall to avoid freezing the bottles and to allow the circulation of cold air.

NOTE: Thermostat 0(OFF) position indicates the refrigerator is turned off although power is still being supplied. By turning the thermostat dial to the left, the refrigerator will turn on automatically. When the refrigerator is not to be used for a long period of time, disconnect the plug and leave the door partially open.

## FOODSTORAGE

- The refrigerator compartment is suitable for the short-term storage of fresh food. The temperature inside varies depending on the amount of food stored, the ambient temperature, and the frequency of door opening. Adjust the thermostat accordingly.
- In order to maintain good cooling efficiency and save energy, we recommend you do not open the door for too long or too often. Do not overload the fridge, and keep enough space around items for cold airflow. Do not block ventilation openings.
- The walls of the fridge are equipped with a series of runners so that the shelves can be positioned to suit individual storage requirements.
- In order to keep fruit and vegetables fresh in the salad drawer, make sure they are properly packaged and the cover sits firmly on top of the salad drawer (applicable model).
- Two wine bottles can be stored conveniently in the shelf-hanging wine rack. If you do not require this wine rack, or to remove it for cleaning, pull the shelf that holds the rack completely out of the fridge, then slide the wine rack off the side of the shelf (applicable model).

## ENERGY SAVING TIPS

- Place the fridge in the coolest area of the room, away from heat-producing appliances and out of direct sunlight.
- Let heated food and beverages cool to room temperature before placing them into the fridge.
- Do not overload the fridge as it forces the compressor to run longer.
- Wrap foods properly and wipe containers dry before placing them in the fridge. This cuts down on frost build-up inside the fridge.
- Do not line any fridge storage bin with aluminum foil, wax paper, or paper towels. Liners interfere with cold air circulation, reducing cooling efficiency.
- Position food so that air can circulate freely around it.
- Do not leave the fridge door open for longer than required.
- Make sure no food touches the back of the compartment.
- Don't set the thermostat on exceeding cold temperatures.

## MAINTENANCE & CLEANING

Disconnect the appliance from the power supply before cleaning.

### Internal Cleaning

- Do not pour water over the appliance.
- The cavity should be cleaned periodically using a solution of bicarbonate of soda and lukewarm water (5ml to 0.5 litre of water)
- Clean the accessories separately with soap and water. Do not put them in the dishwasher.
- Do not use abrasive products, detergents, or soaps.
- After washing, rinse with clean water and dry carefully.
- When you have finished cleaning reconnect the plug with dry hands.

### External Cleaning

- Wash the outer cabinet with warm soapy water. Do NOT use abrasive products.
- There are sharp edges on the underside of the product so care should be taken when cleaning.
- Once or twice a year dust the rear of the appliance and the compressor at the back of the appliance, with a brush or vacuum cleaner, as an accumulation of dust will affect the performance of the appliance and cause increased energy consumption.

### Warning:

- Never clean the unit with an abrasive, acid, oil, or solvent-based cleaning agent, or with abrasive pads or scourers. Never use flammable fluids or sprays for cleaning as the fumes from these substances can create a fire hazard or explosion.
- Never clean the appliance with a steam cleaner. Moisture could accumulate in the electrical components, the danger of electric shock! Hot vapors can lead to the damage of plastic parts.
- The appliance must be completely dry before it is placed back into service.
- Ethereal oils and organic solvents can attack plastic parts, e.g. lemon juice or the juice from orange peel, or cleansers that contain acetic acid. Do not allow such substances to come into contact with the appliance parts.

## TROUBLESHOOTING

Problem: The fridge doesn't work.

Solution:

- Check that the appliance is switched on.
- Check that there has not been a power cut.
- Check that the plug is not faulty.
- Check that the fuse has not blown.
- Check that the voltage is correct for the appliance.
- Are there any faults with the socket? For this purpose, try the plug of your appliance by connecting it to a socket which you are sure is working.

Problem: The temperature inside the appliance is not cold enough.

Solution:

- Check that there is not too much food in the appliance.
- Check that the thermostat is set to a suitable temperature.
- Check that the appliance is not placed in direct sunlight, or too near to a heating source.
- Check that the ambient temperature is within the operation limits of the appliance.
- Are the doors of the appliance opened frequently? Once the door is opened, the humidity found in the air in the room enters the appliance, especially if the humidity levels in the room are very high. The more frequently the door is opened in humid conditions the more chance of the build up of moisture.
- The door is not closed completely.
- The door gasket does not seal properly.
- The cooler does not have the correct clearances at the sides/back.

Problem: The temperature within the appliance is too cold.

Solution:

- Increase the working temperature by adjusting the thermostat to a lower setting. The highest setting should only be used as a rapid cool setting and should only be set 2 hours before a large amount of food is placed in the fridge. If this is not done the temperature in the fridge compartment could fall below 0°C as the compressor will run continuously.



Problem: Moisture forms on the inside or outside walls of the fridge.

Solution:

- Hot and humid weather increases the internal rate of frost build—up. This is normal.
- Open the door less often and make sure it is always properly closed.

Problem: The outer surfaces of the appliance are wet.

Solution:

- Condensation will form on the outside of the cooler if it operates in moist areas, simply wipe it dry.

Problem: Smell/odour.

Solution:

- Check all the food and drink that is in the fridge is in date and correctly packaged. If it isn't then it should be removed immediately or repackaged. Check for spillages on each shelf, rack and drawer. You may need to remove the drawers to check that no spillages have settled underneath them. Spillages that have not been cleaned and have been left can cause smells and unwanted odours.

Problem: The doors do not close properly.

Solution:

- Ensure there are no obstructions preventing door closure.
- Check the door compartments and shelves are correctly in place.
- Check the door seal is not warped or torn.
- Check the appliance is level.

Problem: Unusual noises.

Solution:

- Check that the appliance is on a flat, level surface and is stable.
- Check the spacing's around the appliance and ensure it is not touching other items.
- Bubbling and gurgling sound: • This noise is emitted as the coolant fluid flows through the pipes within the system. This is normal.
- Water flowing sound: • This is the normal sound of water flowing into the drain trough during the defrosting process.
- If the appliance is operating noisily (compressor noise): This is normal. This noise indicates that the compressor is operating normally. As the compressor is being energized, it might run a bit more noisily for a short period of time.
- Contraction and expansion of the inside walls may cause popping and cracking noises.

Problem: The fridge door will not open.

Solution:

- If the door has just been opened, leave it for a few minutes to allow the air pressure to equalise before trying again.

Problem: The compressor runs continuously.

Solution:

- The temperature is set too cold: select a lower(warmer) setting.
- The door is open, or something is obstructing proper door closure.
- The door gaskets are worn, dirty or damaged.
- Large quantities of food have been added to the fridge.
- The room temperature is hotter than usual.

Problem: The external fridge surface is warm.

Solution:

- The exterior walls can be warmer than room temperature. This is normal while the compressor works to transfer heat from inside the fridge cabinet.

## GOING AWAY?

- Short vacation: Leave the fridge operating during vacations of less than a month.
- Long vacation: If you are not going to use the fridge for longer periods, remove all food and unplug the power cord. Clean and dry the interior thoroughly. To prevent odor and mold growth, leave the door open slightly, blocking it open, if necessary. (Restrict children's access to the room with the open fridge to avoid creating a child entrapment risk.)

## MOVING THE FRIDGE

- Unplug the fridge and remove all food from the inside. Securely tape down the drawer and shelves and tape the door shut. Turn the leveling feet up to the base to avoid damage.
- CAUTION: Never pick up the refrigerator by the door.
- Protect the outside of the unit with a blanket or similar soft material and make sure the fridge stays secure in the upright position during transportation.

## DISPOSAL

Do not dispose of the device in normal domestic waste.  
Dispose of the device over a registered waste disposal firm or through your communal waste disposal facility.  
Observe the currently valid regulations. In case of doubt, consult your waste disposal facility.

## WARRANTY

Dear Valued Customer,

Thank you very much for purchasing a MOA product.

We wish you to inform you that this product is covered by a warranty which complies with all legal provisions concerning existing warranty and consumer rights in the country where the product was purchased.

Should you find any defect or malfunction of your MOA product, please contact the appropriate Customer Care Center.

Sincerely yours,  
The MOA Team

## VOOR HET GEBRUIK

Lees deze handleiding voor gebruik met aandacht.

### **Sluit het apparaat alleen aan op een geaard stopcontact.**

Dit apparaat is alleen voor huishoudelijk gebruik. Bij gebruik van elektrische apparaten, moeten algemene veiligheidsmaatregelen altijd opgevolgd worden om brand, elektrische schokken, brandwonden en andere verwondingen en vormen van schade te voorkomen. Lees deze gebruiksaanwijzing en veiligheidsmaatregelen zorgvuldig.

## BELANGRIJKE VEILIGHEIDSVOORSCHRIFTEN (1/6)

1. Pas op: kinderen kunnen vast komen te zitten. Voordat u uw oude apparaat weggooit:
  - Verwijder de deuren.
  - Laat de planken zitten, zodat kinderen niet in het apparaat kunnen klimmen.
  - Snijd de stroomkabel af (zo dicht mogelijk aan de kant van het apparaat).
  - Heeft het apparaat dat u vervangt een veerslot op de deur of deksel, maak deze dan onbruikbaar voordat u het apparaat weggooit. Zo kan het apparaat geen dodelijke val vormen voor kinderen.
2. Zorg dat uw stopcontact en stroomspanning overeenkomen met de voltage op het label van het apparaat. Verschilt de voltage, neem dan contact op met de klantenservice en gebruik de koelkast niet.
3. Gebruik geen andere apparaten tegelijkertijd op dezelfde stroomgroep. Dit kan de groep overbelasten en de zekering of veiligheidsschakelaar doen springen.
4. Om vuur en elektrische schokken te voorkomen, mag de kabel, stekker, voeding of de behuizing van de Retro Koelkast voor onder het keukenblad niet worden ondergedompeld in water of een andere vloeistof. Stel de elektrische verbindingen niet bloot aan water.
5. Plaats de stroomkabel zo, dat niemand er per ongeluk aan kan trekken of over kan struikelen.

## **BELANGRIJKE VEILIGHEIDSVOORSCHRIFTEN (2/6)**

6. Buig, knik, plet, belast of beschadig de stroomkabel niet en bescherm deze tegen scherpe randen en hitte.
7. Trek niet aan de stroomkabel, pak de stekker vast tijdens het ontkoppelen.
8. Laat de kabel niet over de rand van een tafel of aanrecht hangen. Laat de kabel geen hete oppervlaktes raken.
9. Pak of bedien het apparaat niet als de stroomkabel of stekker is beschadigd, na een storing of als het op enige manier is gevallen of beschadigd is geraakt.
10. Neem bij schade contact op met de klantenservice voor advies.
11. Een beschadigde kabel of stekker mag alleen worden vervangen door de producent of een gekwalificeerd persoon om gevaar te voorkomen.
12. Zorg dat alle elektrische verbindingen schoon en droog zijn voordat u deze aanzet.
13. Gebruik dit apparaat niet in combinatie met een verlengsnoer.
14. Haal de stekker uit het stopcontact als het apparaat niet in gebruik is en voordat u deze reinigt, onderhoudt of verplaatst.
15. Dit apparaat is niet bedoeld voor bediening met een externe timer of systeem met afstandsbediening.
16. Dit apparaat is alleen geschikt voor huishoudelijk gebruik.
17. Dit product is niet geschikt voor commercieel gebruik. Gebruik het niet buiten.
18. Gebruik deze koelkast alleen zoals beschreven in deze handleiding. Afwijkend gebruik wordt niet aanbevolen en kan leiden tot brand, elektrische schokken of letsel.
19. Onjuiste installatie of gebruik van accessoires die niet worden aanbevolen door de producent van het apparaat, kan leiden tot brand, elektrische schokken of persoonlijk letsel en maakt uw garantie ongeldig.

## **BELANGRIJKE VEILIGHEIDSVOORSCHRIFTEN (3/6)**

20. Wij zijn niet verantwoordelijk voor enige schade veroorzaakt door onjuist of gebrekkig gebruik.

21. Dit apparaat is niet geschikt voor gebruik door personen (waaronder kinderen) met beperkte fysieke, sensorische of mentale capaciteiten, of met gebrek aan ervaring en kennis, tenzij ze onder toezicht staan of instructies hebben gekregen met betrekking tot het veilig gebruik van het apparaat door een persoon met verantwoordelijkheid voor hun veiligheid.

22. Houd toezicht op kinderen opdat zij niet met dit apparaat spelen.

23. Scherp toezicht is vereist wanneer het apparaat wordt gebruikt door of in de buurt van kinderen.

24. Gebruik geen chemische, staalwollen of schurende reinigingsmiddelen om de buitenkant te reinigen. Dit veroorzaakt krassen op het metalen oppervlak.

25. Gebruik dit apparaat niet in de buurt van vloeistoffen (gootsteen, wastafel, kranen, enz.).

26. Controleer of alle onderdelen correct zijn geplaatst voordat u het apparaat in gebruik neemt.

27. Volg de instructies voor onderhoud om te zorgen dat het apparaat correct blijft functioneren.

28. Neem bij een productstoring of na een beschadiging contact op met de klantenservice voor assistentie.

29. Haal onmiddellijk de stekker uit het stopcontact als het apparaat vuur of rook afgeeft.

30. Plaats het product op een vlak, stevig en stabiel oppervlak, weg van direct zonlicht of overmatige hitte.

31. Plaats het apparaat uit de buurt van warmtebronnen zoals radiatoren, verwarmingsroosters, ovens of andere apparatuur die hitte creëren.

32. Plaats het apparaat niet bij andere producten die het kunnen beschadigen, zoals bronnen van open vuur (kaarsen) of objecten met water (een vaas of vissenkomp).

33. Zorg dat er geen objecten of vloeistoffen in de openingen van het apparaat kunnen vallen.

## BELANGRIJKE VEILIGHEIDSVOORSCHRIFTEN (4/6)

34. Voorkom oververhitting: plaats het product op een voldoende geventileerde plaats. Zorg dat de lucht aan de achterkant van de koelkast vrijelijk kan circuleren. Voor de beste prestaties dient u ongeveer 100mm vrij te houden aan alle kanten van de koelkast.

35. Dit apparaat heeft een korte stroomkabel om risico op verstrikking tegen te gaan en het risico op kantelen te verkleinen. We raden u af om een verlengsnoer of langere losse kabel te combineren met dit product.

36. Dit product bevat geen onderdelen die door de gebruiker kunnen worden onderhouden. Probeer dit product niet zelf te onderhouden. Neem contact op met onze klantenservice voor instructies.

**Gevaar! Risico op vuur of explosie.** Dit product maakt gebruik van brandbare koelmiddelen. Dit product mag alleen worden gerepareerd door getraind onderhoudspersoneel. Houd de slangen voor de koelmiddelen intact.

**Pas op! Risico op vuur of explosie.** Dit product maakt gebruik van brandbare koelmiddelen. Raadpleeg de handleiding voordat u dit product zelf probeert te onderhouden. Volg alle veiligheidswaarschuwingen op.

**Pas op! Risico op vuur of explosie.** Gooi dit product weg in overeenstemming met nationale of lokale regelgeving. Dit product maakt gebruik van brandbare koelmiddelen.

**Pas op! Risico op vuur of explosie** wanneer de slang met koelmiddel beschadigd raakt. Volg de instructies in de handleiding goed op. Dit product maakt gebruik van brandbare koelmiddelen.

37. Het koelcircuit van dit apparaat bevat het koelmiddel isobutaan (R600a). Dit gas is zeer milieuvriendelijk, maar desondanks ontvlambaar. Zorg dat de onderdelen van het koelcircuit niet beschadigd raken tijdens transport en installatie van het apparaat.

**WAARSCHUWING:** Beschadig het koelcircuit niet! Een apparaat met beschadigd koelcircuit mag niet worden gebruikt! Na beschadiging van het koelcircuit dient u het apparaat uit de buurt te houden van alle bronnen van open vlammen, hitte en ontsteking. Ventileer de ruimte waar het apparaat staat grondig.

## **BELANGRIJKE VEILIGHEIDSVOORSCHRIFTEN (5/6)**

38. Het is gevaarlijk voor niet-gekwalificeerde personen om dit apparaat te onderhouden.

39. De kamer waarin het apparaat staat moet ten minste 1 m\* per 8g koelmiddel zijn. De hoeveelheid en het type koelmiddel in het apparaat vindt u onder de Technische Specificaties.

40. Gebruik geen andere elektrische apparaten (zoals ijsmachines) in het koelapparaat, tenzij het apparaat hiervoor geschikt is volgens de producent.

41. Bewaar geen explosieve substanties in dit apparaat, zoals spuitbussen met een ontvlambaar drijfgas.

42. Zorg dat de onderdelen van het koelcircuit niet beschadigd raken tijdens transport en installatie van het apparaat.

43. Vermijd open vlammen en ontstekingsbronnen.

44. Ventileer de ruimte waar het apparaat staat grondig.

45. Het is gevaarlijk om op welke wijze dan ook de specificaties van dit product aan te passen.

46. Schade aan de stroomkabel kan leiden tot kortsluiting, brand en/of een elektrische schok.

47. Dit apparaat is zwaar. Wees voorzichtig wanneer u deze verplaatst. Om rugproblemen of ander letsel te voorkomen, raden we u aan om het met twee personen te tillen of om mechanisch gereedschap te gebruiken bij de installatie. Het niet opvolgen van deze instructies kan leiden tot rugproblemen of ander letsel.

48. Vermijd langdurige blootstelling van het apparaat aan direct zonlicht.

49. Dit apparaat is alleen geschikt voor huishoudelijk gebruik.

50. Elektrische onderdelen (stekker, stroomkabel, compressor enz.) mogen alleen worden vervangen door een gecertificeerde monteur of gekwalificeerd onderhoudspersoneel.



## **BELANGRIJKE VEILIGHEIDSVOORSCHRIFTEN (6/6)**

51. **GEBRUIK GEEN VERLENGSNOER.** Gebruik alleen een wandcontactdoos. Combineer uw koelkast niet met verlengsnoeren of een stekkerdoos dat ook door andere apparaten wordt gebruikt.

52. Zorg dat de stekker niet wordt geplet of beschadigd door de achterkant van het apparaat. Een geplette of beschadigde stekker kan oververhitten en leiden tot brand.

53. Voor het eerste gebruik raden we u aan om ten minste acht uur te wachten voordat u het apparaat met het stopcontact verbindt, zodat de olie terug de compressor in kan vloeien.

54. Dit apparaat heeft voldoende luchtcirculatie nodig om oververhitting te voorkomen. Volg de instructies voor installatie op voor voldoende ventilatie.

55. Het apparaat mag niet worden geplaatst in de buurt van radiatoren of kookplaten.

56. Zorg dat u bij de stekker kunt na installatie van het apparaat.

57. Zet geen heet eten in het apparaat.

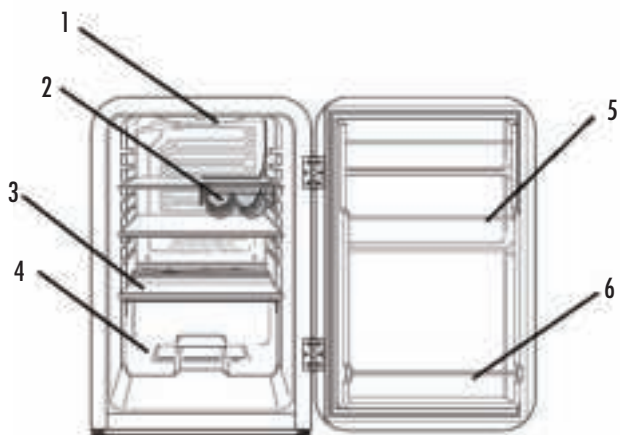
58. Bewaar voorverpakt eten in overeenstemming met de instructies van de voedselproducenten.

59. **WAARSCHUWING!** Gebruik geen mechanische apparaten of andere hulpmiddelen om het ontdooiproces te versnellen. Gebruik nooit scherpe of metalen middelen om ijs te verwijderen of het apparaat te reinigen. Gebruik indien nodig een plastic schraper.

60. Volg de aanbevelingen op voor het opbergen van dit apparaat. Raadpleeg hiervoor de betreffende instructies.

61. Nadat de koelkast uit heeft gestaan (via stekker uit het stopcontact, stroomstoring of de UIT-knop) dient u 3 tot 5 minuten te wachten voordat u het apparaat opnieuw aanzet. De koelkast zal niet opstarten als u deze eerder probeert aan te zetten.

## ONDERDELEN & LOCATIE



- 1. Ledlamp
- 3. Glazen plank
- 4. Saladebak

- 2. Wijnrek
- 5. Deur/Fleshouder
- 6. Deur/Fleshouder

## HET APPARAAT INSTALLEREN

Uitpakken:

- Dit product is ingepakt ter bescherming tijdens het transport. Verwijder al het verpakkingsmateriaal rond en in het apparaat, maar laat de schuimisolatie om de leidingen aan de achterkant intact. Bewaar de originele kartonnen verpakking en materiaal op een veilige plek. Dit kan helpen schade aan het product te voorkomen bij toekomstig transport. U kunt hierin ook het apparaat bewaren wanneer u deze niet gebruikt. Word het karton weggegooid, zorg dan alstublieft dat het verpakkingsmateriaal zoveel mogelijk wordt gerecycled.

- Plastic verpakking vormt een stikgevaar voor baby's en jonge kinderen. Houd alle verpakkingsmateriaal uit hun bereik en gooi deze veilig weg.

- Onderdelen: controleer of u alle onderdelen hebt. Deze staan weergegeven in de afbeelding op de vorige pagina.

- Rol de stroomkabel volledig uit en controleer deze op schade. Gebruik het apparaat niet als het apparaat of de kabel is beschadigd of niet correct werkt. Neem bij schade contact op met de klantenservice voor advies over de inspectie, reparatie of retourzending van het beschadigde product.

- Zorg dat de stekker van de koelkast uit het stopcontact is voordat u de binnenkant en alle interne accessoires reinigt met lauw water, een zachte doek en een neutrale/milde zeep/schoonmaakmiddel. Hiermee verwijdert u de stofopbouw van het vervoer en de opslag en verwijdert u de typische geur van een gloednieuw product. Droog het apparaat goed af. Belangrijk: gebruik geen zware of schurende schoonmaakmiddelen of poeders. Deze kunnen de afwerking beschadigen.

## DE DEURKLINK MONTEREN

De deurklink wordt los geleverd door beperkingen van de verpakking. U plaatst de klink gemakkelijk via de onderstaande instructies.

### 1. Onderdelen deurklink



#1 Schroef

Aantal: 2 st.



#2 Schroef

2 st.

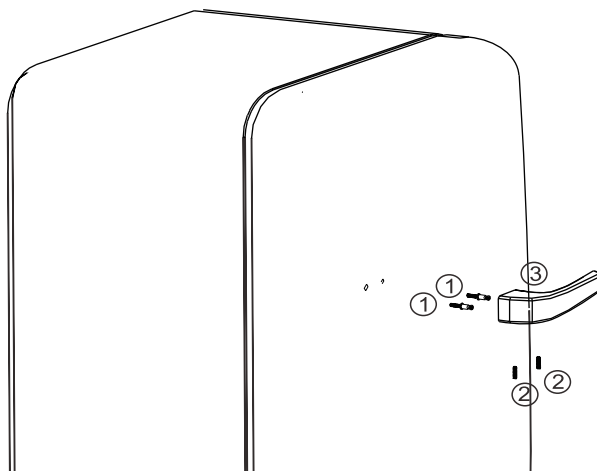


#3 Deurklink

1 st.

2. Volg de onderstaande instructies voor het plaatsen van de klink. Haal de oorspronkelijke schroeven uit de deur.

- Plaats de twee schroeven (1) in de deur.
- Plaats de twee gaten in de metalen klink (3) in de twee geplaatste schroeven.
- Plaats schroef (2) aan de onderkant van de klink en schroef deze goed vast.



#### De koelkast plaatsen:

- Lees alle veiligheidsvoorschriften in deze handleiding goed door voordat u uw nieuwe koelkast plaatst. Volg daarna de volgende instructies:
- Plaats de koelkast op een stevige en vlakke vloer voor een stillere werking. Zorg dat de vloer stevig genoeg is om de koelkast te dragen als deze vol zit.
- Plaats u de koelkast op een tapijt, ondersteun deze dan met een houten plank eronder. Let op: wanneer de koelkast op een tapijt staat kan de hitte van de compressor uw tapijt doen vervagen.
- Dit apparaat is alleen geschikt voor vrijstaand gebruik en dient niet te worden ingebouwd.
- Kantel de koelkast niet meer dan 45° wanneer u deze verplaatst.
- Vermijd plekken waar het apparaat blootstaat aan direct zonlicht, hittebronnen (fornuis, verwarming, radiator, enz.), extreem koude omgevingstemperaturen of overmatige vochtvorming en hoge vochtigheidsgraad. Door het apparaat in het koudste deel van de kamer te plaatsen, bespaart u op energieverbruik en gebruikskosten.
- Wees voorzichtig! Zet geen kracht op een onderdeel als de condensor of deur. De metalen rails aan de onderkant van deze koelkast kan scherp zijn, dus wees voorzichtig bij het uitpakken en verplaatsen. Sleep het apparaat niet: plaats het voorzichtig op de juiste plek om de vloer niet te beschadigen.

#### Benodigde ruimte:

- Plaats het apparaat met voldoende ruimte om de deur te openen.
- Zorg dat lucht vrijelijk om de achterkant van de koelkast kan circuleren. Dit is nodig om de compressor en condensor te koelen. Zorg voor ten minste 100mm vrije ruimte aan de achterkant en 50mm aan de zijken van de koelkast.

#### Waterpas:

- Het apparaat moet waterpas worden geplaatst voor de beste werking. Staat het apparaat niet waterpas, dan vallen de deur en magnetische sluitingen niet op één lijn.
- Om het apparaat waterpas te zetten, kunt u de voeten onderaan het apparaat verstellen.

## OMKEERBARE DEUR

De deur kan van links naar rechts worden geopend en omgekeerd. Wilt u de openingsrichting veranderen, volg dan deze instructies. Opmerking: bewaar alle losse onderdelen op een veilige plek. Deze heeft u nodig om de deur te herplaatsen.

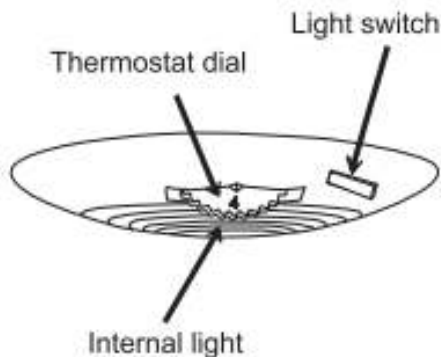


Ondersteun de deur aan de onderkant.  
Verwijder de zes schroeven van de scharnieren en de twee tussenringen van de behuizing.

-Plaats de deur op een zachte ondergrond om krassen te voorkomen. Verwijder de zes scharnierschroeven. Verwijder de afdichtpluggen van de andere kant en gebruik deze in de gaten van de schroeven die u zojuist heeft verwijderd. Schroef de scharnieren vast aan de andere kant van de deur. Plaats de deur voorzichtig in lijn met de gaten in de behuizing. Schroef de laatste zes schroeven in de scharnieren en plaats de twee tussenringen in de behuizing om de deur weer vast te zetten.

## MECHANISCHE BEDIENING

De mechanische thermostaat voor temperatuurbediening en de aan/uitknop voor het licht bevinden zich hier:



Temperatuurstellingen:

De instellingen 0 (UIT) - 7 (MAX) bedienen de temperatuur in de koelkast.

Instelling 0 (UIT) = niet in werking (Druk de knop in en draai deze naar de '0'-positie)

Instelling 1 (MIN) = laagste instelling (warmste interne temperatuur)

Instelling 7 (MAX) = hoogste instelling (koudste interne temperatuur)

Opmerking: De temperatuur in de koelkast is mede afhankelijk van de hoeveelheid blikjes/flessen en hoe vaak de deur wordt geopend. De interne temperatuur verschilt per locatie in de koelkast. De achterkant van een koelkast is het koudst. Houd blikjes/flessen weg van de achterwand. Deze kunnen bevriezen. Ook blokkeert dit de circulatie van de koude lucht.

Opmerking: Thermostaat 0 (UIT) geeft aan dat de koelkast uit staat, wanneer deze wel van stroom wordt voorzien. U zet de koelkast aan door de knop van de thermostaat naar links te draaien. Wanneer u de koelkast voor een langere periode niet gebruikt, haal dan de stekker uit het contact en laat de deur op een kier staan.

## BEWAREN VAN ETEN

- Het koelgedeelte is geschikt voor het kort bewaren van vers eten. De temperatuur in de koelkast is mede afhankelijk van de hoeveelheid bewaard eten, de omgevingstemperatuur en hoe vaak de deur wordt geopend. Let hierop bij het instellen van de thermostaat.
- Voor efficiënte koeling en om energie te besparen, raden we u aan de deur niet te lang open te houden en niet te vaak te openen. Vul de koelkast niet te vol. Bewaar genoeg ruimte rond de producten voor de koude luchtstroom. Blokkeer geen openingen van de ventilatie.
- De wanden van de koelkast zijn voorzien van een aantal randen, zodat u de legplanken in kunt delen voor uw specifieke opslagbehoeften.
- Om fruit en groenten vers te houden in de groentebak, zorgt u dat deze goed zijn verpakt en dat de deksel (indien aanwezig) goed op de bak zit.
- In het wijnrek kunt u gemakkelijk twee wijnflessen bewaren. Dit rek kunt u aan een legplank hangen. Heeft u geen wijnrek nodig of wilt u schoonmaken, dan haalt u de plank waar het rekje aan hangt volledig uit de koelkast. Schuif het wijnrek via de zijkant van de legplank (indien aanwezig).

## TIPS OM ENERGIE TE BESPAREN

- Plaats het apparaat in het koudste deel van de kamer te plaatsen en weg van apparatuur die hitte produceert.
- Laat warm eten en drinken afkoelen tot kamertemperatuur voordat u het in de koelkast zet.
- Vul de koelkast niet te vol; hierdoor moet de compressor langer werken.
- Verpak voedsel goed en droog de bakjes af voordat u deze in de koelkast zet. Dit vermindert de ijsopbouw in de koelkast.
- Verpak bewaarbakjes niet met aluminium, waspapier of papieren handdoekjes. Deze beïnvloeden de circulatie van koude lucht en verminderen de koelefficiëntie.
- Plaats de producten zodat de lucht vrijelijk kan circuleren.
- Laat de deur niet langer open dan nodig.
- Zorg dat producten de achterwand niet aanraken.
- Stel de thermostaat niet in op te lage temperaturen.



## ONDERHOUD & REINIGING

Koppel het apparaat los van de netspanning voordat u het reinigt!

### Interne reiniging

- Giet geen water over het apparaat.
- Reinig het gaatje periodiek met een oplossing van zuiveringszout en lauw water (5ml tot 0,5 liter water).
- Reinig de accessoires los, met zeep en water. De accessoires zijn niet geschikt voor de vaatwasser.
- Gebruik geen schurende producten, schoonmaakmiddelen of zepen.
- Spoel na het wassen goed af met schoon water. Droog goed af.
- Droog uw handen goed af na het schoonmaken voordat u de stekker weer in het stopcontact steekt.

### Externe reiniging

- Reinig de behuizing met zeep en warm water. Gebruik geen schurende producten.
- De onderkant van het product heeft scherpe randen, dus wees voorzichtig tijdens het schoonmaken.
- Stof een of twee keer per jaar de achterkant van het apparaat en de compressor af. Gebruik hiervoor een bezem of stofzuiger. De opbouw van stof heeft een negatieve invloed op de prestatie van het apparaat en kan leiden tot hoger energieverbruik.

### WAARSCHUWING:

- Reinig het apparaat nooit met een schurend middel of een middel op basis van zuur, olie of oplosmiddel. Gebruik ook geen schurende sponzen. Gebruik nooit ontvlambare vloeistof of spuitbussen voor het reinigen. De dampen vormen een risico op brand of explosie.
- Reinig het apparaat nooit met een stoomreiniger. Hierdoor kan vocht ontstaan in de elektrische onderdelen, met een risico op elektrische schokken! Warme dampen kunnen de plastic onderdelen beschadigen.
- Het apparaat moet helemaal droog zijn voordat u deze weer in gebruik neemt.
- Etherische oliën en organische oplosmiddelen kunnen plastic onderdelen beschadigen. Denk aan citroensap of het sap van een sinaasappelschil, of schoonmaakmiddelen met azijnzuur. Zorg dat het apparaat niet in contact komt met deze substanties.

## PROBLEEMOPLOSSING

Probleem: De koelkast werkt niet.

Oplossing:

- Zorg dat het apparaat aan staat.
- Controleer of u stroom heeft.
- Controleer of de stekker werkt.
- Controleer of de zekering niet is gesprongen.
- Controleer of de voltage geschikt is voor het apparaat.
- Werkt het stopcontact? Om dit te controleren, kunt u het apparaat aansluiten op een ander stopcontact, waarvan u zeker weet dat het werkt.

Probleem: De temperatuur in de koelkast is niet koud genoeg.

Oplossing:

- Zorg dat er niet te veel producten in de koelkast staan.
- Controleer of de thermostaat op de juiste temperatuur staat ingesteld.
- Controleer of het apparaat uit zonlicht staat of in de buurt staat van een warmtebron.
- Controleer of de omgevingstemperatuur binnen het gebruiksbereik van het apparaat ligt.
- Gaat de deur van de koelkast vaak open? Elke keer dat de deur opengaat, komt er vochtigheid van de kamer het apparaat binnen. Vooral als de kamer een zeer hoge vochtigheidsgraad heeft. Hoe vaker de deur wordt geopend in vochtige omstandigheden, hoe groter de kans dat er vocht opbouwt in de koelkast.
- De deur zit niet goed dicht.
- De isolatierand sluit niet goed.
- De koeler heeft niet genoeg vrije ruimte aan de zij/achterkant.

Probleem: De temperatuur in de koelkast is te koud.

Oplossing:

- Verhoog de temperatuur door de thermostaat op een lagere stand te zetten. De hoogste instelling werkt als een snelle koelinstelling. Deze is vooral geschikt 2 uur voordat u een grote hoeveelheid eten in de koelkast plaatst. In andere situaties kan hierdoor de temperatuur in de koelkast onder de 0°C uitkomen, omdat de compressor continu werkt.

Probleem: Er ontstaat vocht aan de binnen- en buitenkant van de wanden.

Oplossing:

- Warm en vochtig weer verhoogt de interne opbouw van ijs. Dit is normaal.
- Open de deur minder vaak en zorg dat deze altijd goed wordt gesloten.

Probleem: De buitenkant van het apparaat is nat.

Oplossing:

- Condensatie vormt als de koelkast in een vochtige omgeving staat. Dit kunt u gewoon afdrogen.

Probleem: Geur/stank.

Oplossing:

- Controleer de inhoud van de koelkast op houdbaarheidsdata en correcte verpakking. Gooi eten weg dat over datum is en herverpak niet goed verpakte producten. Controleer iedere plank, rek en bak op gemorste waren. U zult misschien wat planken uit de koelkast moeten halen om te controleren of het morsen niet onder de plank is gekomen. Wanneer deze vlekken niet worden schoongemaakt, kunnen ze na verloop van tijd een ongewenste geur verspreiden.

Probleem: De deur kan niet goed dicht.

Oplossing:

- Controleer of niets de deur blokkeert.
- Controleer of de lades en planken van de deur goed op hun plek zitten.
- Controleer of de isolatie niet is vervormd of gescheurd.
- Controleer of het apparaat waterpas staat.

Probleem: Vreemde geluiden.

Oplossing:

- Controleer of het apparaat op een vlak, waterpas oppervlak staat en stabiel is.
- Controleer de vrije ruimte rond het apparaat en zorg dat het geen andere producten aanraakt.
- Bubbelen en gorgelen geluid: Dit geluid hoort u als de koelvloeistof door de leidingen stroomt. Dit is normaal.
- Geluid van stromend water: Dit is het normale geluid van water dat door de afvoer stroomt tijdens het ontdooiingsproces.
- Het apparaat maakt lawaai: Dit is normaal. Dit geluid betekent dat de compressor naar behoren werkt. Als de compressor wordt opgeladen, kan deze eventjes iets luider worden.
- Krimp en uitzetting van de binnenwand kan leiden tot plof- en kraakgeluiden.

Probleem: De deur gaat niet open.

Oplossing:

- Heeft u de deur net geopend, wacht dan even tot de luchtdruk weer gelijk is.

Probleem: De compressor blijft werken.

Oplossing:

- De temperatuur staat te koud ingesteld: selecteer een lagere (warmere) instelling.
- De deur staat open of iets zorgt dat deze niet goed kan sluiten.
- De isolatierand is versleten, vies of beschadigd.
- Een grote hoeveelheid eten is in de koelkast geplaatst.
- De kamertemperatuur is hoger dan normaal.

Probleem: De buitenkant van de koelkast is warm.

Oplossing:

- De buitenwanden kunnen warmer zijn dan kamertemperatuur. Dit is normaal: de compressor verplaatst de warmte in de koelkast naar de behuizing.

## GAAT U WEG?

- Korte vakantie: Laat de koelkast draaien voor vakanties korter dan een maand.
- Lange vakantie: Gaat u voor langere periodes weg, haal dan alle producten uit de koelkast en haal de stekker uit het stopcontact. Reinig en droog de binnenkant grondig. Laat de deur op een kier om ontwikkeling van geuren en schimmels te voorkomen. Blokkeer de deur indien nodig. (Zorg dat kinderen de ruimte met een open koelkast niet kunnen betreden. Een kind kan hierin vast komen te zitten.)

## DE KOELKAST VERPLAATSEN

- Haal de stekker uit het stopcontact en haal alle producten uit de koelkast. Zet de lades en legplanken goed vast en sluit de deur af met tape. Trek de verstelbare voeten in om schade te voorkomen.
- Pas op: Pak de koelkast nooit vast bij de deur.
- Bescherm de buitenkant met een deken of vergelijkbaar zacht materiaal. Zorg dat de koelkast rechtop blijft staan tijdens het verplaatsen.

## VERWIJDEREN

Gooi het apparaat niet bij het huishoudelijk afval.  
Breng het apparaat naar een geregistreerd afvalverwerkingsbedrijf of naar de plaatselijke milieustraat.  
Houd u zich aan de huidige geldige regelgeving. Neem in geval van twijfel contact op met het dichtstbijzijnde afvalverwerkingsbedrijf.

## GARANTIE

Gewaardeerde klant,

Hartelijk dank voor uw aankoop van een MOA-product.

Wij wensen u hierbij mee te delen dat dit product wordt gedekt door een garantie die voldoet aan alle wettelijke bepalingen inzake de heersende garantie- en consumentenrechten in het land waar het product werd gekocht.

Mocht u een defect of storing vaststellen aan uw MOA-product, neemt u dan a.u.b. contact op met het passende Customer Care Center (klantenservice), waar u het product heeft gekocht.

Hartelijke groet,  
Het MOA Team

## VOR INBETRIEBNAHME

Bitte lesen Sie diese Bedienungsanleitung vor Gebrauch sorgfältig durch.

**Schließen Sie das Gerät nur an eine geerdete Steckdose an.**

Dieses Gerät ist nur für den Hausgebrauch bestimmt. Bei der Verwendung von elektrischen Geräten sollten immer grundlegende Sicherheitsregeln beachtet werden, um Brände, Stromschläge, Verbrennungen oder andere Verletzungen und Schäden zu vermeiden. Lesen Sie diese Betriebs- und Sicherheitsanweisungen sorgfältig durch.

## WICHTIGE SICHERHEITSVORKEHRUNGEN (1/6)

1. Gefahr des Einklemmens von Kindern. Bevor Sie Ihr Altgerät wegwerfen:

- Nehmen Sie die Türen ab.
- Lassen Sie die Einlegeböden an ihrem Platz, damit Kinder nicht leicht hineinklettern können. - Schneiden Sie das Anschlusskabel ab (so nah wie möglich am Gerät).
- Wenn das Gerät, das Sie ersetzen, ein Federschloss (Riegel) an der Tür oder dem Deckel hatte, stellen Sie sicher, dass dieses Federschloss unbrauchbar ist, bevor Sie das alte Gerät entsorgen. So verhindern Sie, dass es zu einer Todesfalle für ein Kind wird.

2. Vergewissern Sie sich, dass Ihre Steckdosenspannung und Stromkreisfrequenz mit der auf dem Typenschild des Geräts angegebenen Spannung übereinstimmen. Ist dies nicht der Fall, wenden Sie sich an den Kundendienst und verwenden Sie den Kühlschrank nicht.

3. Verwenden Sie kein anderes Gerät gleichzeitig am selben Stromkreis, da es den Stromkreis überlasten und die Sicherung oder den Schutzschalter auslösen kann.

4. Tauchen Sie zum Schutz vor Feuer und Stromschlag das Kabel, den Stecker, den Netzsockel oder das Gehäuse des Retro-Unterbaukühlschranks selbst nicht in Wasser oder andere Flüssigkeiten ein. Setzen Sie die elektrischen Anschlüsse nicht dem Wasser aus.

5. Das Kabel sollte so verlegt werden, dass keine Gefahr besteht, dass jemand versehentlich daran zieht oder darüber stolpert.

## WICHTIGE SICHERHEITSVORKEHRUNGEN (2/6)

6. Knicken, biegen, quetschen, zerren oder beschädigen Sie das Netzkabel nicht und schützen Sie es vor scharfen Kanten und Hitze.
7. Fassen Sie beim Trennen den Stecker an, ziehen Sie nicht am Kabel.
8. Lassen Sie das Kabel nicht über die Kante eines Tisches oder einer Tischplatte hängen. Lassen Sie es nicht mit heißen Oberflächen in Berührung kommen.
9. Nehmen Sie das Gerät nicht in die Hand und betreiben Sie es nicht, wenn das Netzkabel oder der Netzstecker beschädigt ist oder nachdem es eine Fehlfunktion hatte oder heruntergefallen oder in irgendeiner Weise beschädigt worden ist.
10. Wenden Sie sich im Schadensfall an den Kundendienst und lassen Sie sich beraten.
11. Ein beschädigtes Kabel oder ein beschädigter Stecker muss durch den Hersteller oder eine qualifizierte Person ersetzt werden, um eine Gefährdung zu vermeiden.
12. Vergewissern Sie sich vor dem Einschalten, dass alle elektrischen Anschlüsse sauber und trocken sind.
13. Verwenden Sie dieses Gerät nicht in Verbindung mit einem Verlängerungskabel.
14. Ziehen Sie den Netzstecker aus der Steckdose, wenn Sie das Gerät nicht benutzen und bevor Sie es reinigen, warten, instand halten oder bewegen.
15. Dieses Gerät ist nicht für den Betrieb mit einer externen Zeitschaltuhr oder einem separaten Fernbedienungssystem vorgesehen.
16. Dieses Gerät ist nur für den Hausgebrauch bestimmt.
17. Dieses Produkt ist nicht für den gewerblichen Einsatz bestimmt. Verwenden Sie es nicht im Freien.
18. Verwenden Sie diesen Kühlschrank nur wie in diesem Handbuch beschrieben. Jede andere Verwendung wird nicht empfohlen und kann zu Feuer, Stromschlag oder Verletzungen führen.
19. Eine unsachgemäße Installation und die Verwendung von Zubehör, das nicht vom Gerätehersteller empfohlen wird, kann zu Bränden, elektrischen Schlägen oder Verletzungen führen und macht Ihre Garantie ungültig.

## WICHTIGE SICHERHEITSVORKEHRUNGEN (3/6)

20. Für eventuelle Schäden, die durch unsachgemäßen oder fehlerhaften Gebrauch entstehen, übernehmen wir keine Haftung.

21. Dieses Gerät ist nicht dafür bestimmt, durch Personen (einschließlich Kinder) mit eingeschränkten physischen, sensorischen oder geistigen Fähigkeiten oder mangels Erfahrung und mangels Wissen benutzt zu werden, es sei denn, sie werden durch eine für ihre Sicherheit zuständige Person beaufsichtigt oder erhielten von ihr Anweisungen, wie das Gerät zu benutzen ist.

22. Kinder sollten beaufsichtigt werden, um sicherzustellen, dass sie nicht mit dem Gerät spielen.

23. Wenn ein Gerät von Kindern oder in der Nähe von Kindern verwendet wird, ist eine strenge Überwachung erforderlich.

24. Verwenden Sie zur Reinigung der Außenseite des Geräts keine Chemikalien, Stahlwolle oder Scheuermittel, da diese die Metalloberfläche verkratzen.

25. Betreiben Sie das Gerät nicht in der Nähe von Flüssigkeiten (Küchenspüle, Wasserbecken, Wasserhähne usw.).

26. Stellen Sie vor der Inbetriebnahme sicher, dass alle Teile korrekt montiert sind.

27. Warten Sie das Gerät gemäß den Anweisungen, um die ordnungsgemäße Funktion sicherzustellen.

28. Wenn eine Fehlfunktion des Produkts vorliegt oder es in irgendeiner Weise beschädigt wurde, wenden Sie sich an den Kundendienst, um Hilfe zu erhalten.

29. Ziehen Sie sofort den Netzstecker, wenn Feuer oder Rauch austritt.

30. Stellen Sie das Produkt auf eine gerade, starre und stabile Fläche, entfernt von Quellen direkter Sonneneinstrahlung oder übermäßiger Hitze.

31. Stellen Sie das Produkt nicht in der Nähe von Wärmequellen wie Heizkörpern, Heizregistern, Öfen oder anderen Geräten auf, die Wärme erzeugen.

32. Stellen Sie das Produkt nicht in der Nähe anderer Gegenstände auf, die es beschädigen könnten, wie z. B. offene Flammenquellen (brennende Kerzen) oder Gegenstände, die Wasser enthalten (eine Vase oder ein Fischglas).



## WICHTIGE SICHERHEITSVORKEHRUNGEN (4/6)

33. Achten Sie darauf, dass keine Gegenstände herunterfallen und keine Flüssigkeiten in Öffnungen verschüttet werden.

34. Vermeiden Sie Überhitzung: Stellen Sie das Produkt an einem ausreichend belüfteten Ort auf. Stellen Sie sicher, dass die Luft an der Rückseite des Kühlschranks frei zirkulieren kann. Um die beste Leistung zu gewährleisten, lassen Sie zu allen Seiten des Kühlschranks einen Abstand von etwa 100 mm.

35. Dieses Gerät verfügt über ein kurzes Netzkabel, um die Gefahr des Verhedderns zu verringern und die Stolpergefahr zu reduzieren. Ein Verlängerungskabel oder ein längeres abnehmbares Kabel wird für die Verwendung mit diesem Produkt nicht empfohlen.

36. Im Inneren befinden sich keine vom Benutzer zu wartenden Teile. Versuchen Sie nicht, dieses Produkt zu warten. Bitte rufen Sie unseren Kundendienst an, um Anweisungen zu erhalten.

Gefahr! Brand- oder Explosionsgefahr. Entflammables Kältemittel verwendet. Reparatur nur von geschultem Servicepersonal durchführen lassen. Kältemittelleitungen nicht durchstechen.

Vorsicht! Brand- oder Explosionsgefahr. Entflammables Kältemittel verwendet. Lesen Sie das Reparaturhandbuch/die Bedienungsanleitung, bevor Sie versuchen, dieses Produkt zu warten. Alle Sicherheitsvorkehrungen müssen befolgt werden.

Vorsicht! Es besteht Brand- oder Explosionsgefahr. Entsorgen Sie das Eigentum in Übereinstimmung mit den bundesstaatlichen oder örtlichen Vorschriften. Entflammables Kältemittel verwendet.

Vorsicht! Brand- und Explosionsgefahr durch Durchstoßen der Kältemittelleitungen; Handlungsanweisungen sorgfältig beachten. Entflammables Kältemittel verwendet.

37. Im Kältemittelkreislauf des Geräts befindet sich das Kältemittel Isobutan (R600a), ein Gas mit hoher Umweltverträglichkeit, das jedoch brennbar ist. Achten Sie beim Transport und bei der Installation des Geräts darauf, dass keine der Komponenten des Kältemittelkreislaufs beschädigt werden.

**WARNUNG:** Beschädigen Sie nicht den Kältemittelkreislauf! Benutzen Sie niemals ein Gerät mit einem beschädigten Kältemittelkreislauf! Vermeiden Sie bei Beschädigung des Kältemittelkreislaufs die Nähe von offenem Feuer und allen Arten von Wärme- und Zündquellen. Belüften Sie den Raum, in dem sich das Gerät befindet, gründlich.

## WICHTIGE SICHERHEITSVORKEHRUNGEN (5/6)

38. Es ist gefährlich, wenn dieses Gerät von einer anderen Person als einem autorisierten Kundendienst gewartet wird.
39. Der Raum für die Installation des Geräts muss mindestens 1 m\* pro 8 g Kältemittel betragen. Die Menge und Art des Kältemittels im Gerät finden Sie in den technischen Daten.
40. Verwenden Sie keine anderen elektrischen Geräte (wie z. B. Eismaschinen) innerhalb von Kühlgeräten, es sei denn, sie sind vom Hersteller für diesen Zweck zugelassen.
41. Bewahren Sie keine explosiven Stoffe wie Spraydosen mit brennbarem Treibmittel in diesem Gerät auf.
42. Achten Sie beim Transport und bei der Installation des Geräts darauf, dass keine der Komponenten des Kältemittelkreislaufs beschädigt werden.
43. Vermeiden Sie offene Flammen und Zündquellen.
44. Lüften Sie den Raum, in dem sich das Gerät befindet, gründlich zu Ende.
45. Es ist gefährlich, die Spezifikationen zu ändern oder dieses Produkt in irgendeiner Weise zu modifizieren.
46. Jede Beschädigung des Kabels kann einen Kurzschluss, einen Brand und/oder einen elektrischen Schlag verursachen.
47. Dieses Gerät ist schwer. Seien Sie vorsichtig, wenn Sie es bewegen. Um Rücken- oder andere Verletzungen zu vermeiden, sollten Sie bei der Installation eine Hebevorrichtung für zwei Personen oder eine mechanische Hilfe verwenden. Andernfalls kann es zu Rücken- oder anderen Verletzungen kommen.
48. Vermeiden Sie es, das Gerät über einen längeren Zeitraum direkter Sonneneinstrahlung auszusetzen.
49. Dieses Gerät ist nur für den Gebrauch in einem Haushalt bestimmt.
50. Alle elektrischen Komponenten (Stecker, Netzkabel, Kompressor usw.) muss durch einen zertifizierten Servicepartner oder qualifiziertes Servicepersonal ersetzt werden.

## WICHTIGE SICHERHEITSVORKEHRUNGEN (6/6)

51. VERWENDEN SIE KEIN VERLÄNGERUNGSKABEL. Verwenden Sie ausschließlich eine Wandsteckdose. Schließen Sie Ihren Kühlschrank nicht an Verlängerungskabel oder an eine Steckdose an, die von einem anderen Gerät verwendet wird.

52. Stellen Sie sicher, dass der Netzstecker nicht durch die Rückseite des Geräts gequetscht oder beschädigt wird. Ein gequetschter oder beschädigter Netzstecker kann überhitzen und einen Brand verursachen.

53. Vor der ersten Inbetriebnahme ist es ratsam, mindestens acht Stunden zu warten, bevor das Gerät angeschlossen wird, damit das Öl im Kompressor zurückfließen kann.

54. Um das Gerät sollte eine ausreichende Luftzirkulation vorhanden sein, da dies sonst zu Überhitzung führt. Um eine ausreichende Belüftung zu erreichen, befolgen Sie die für die Installation relevanten Anweisungen.

55. Das Gerät darf nicht in der Nähe von Heizkörpern oder Herden aufgestellt werden.

56. Stellen Sie sicher, dass der Netzstecker nach der Installation des Geräts zugänglich ist.

57. Geben Sie keine heißen Speisen in das Gerät.

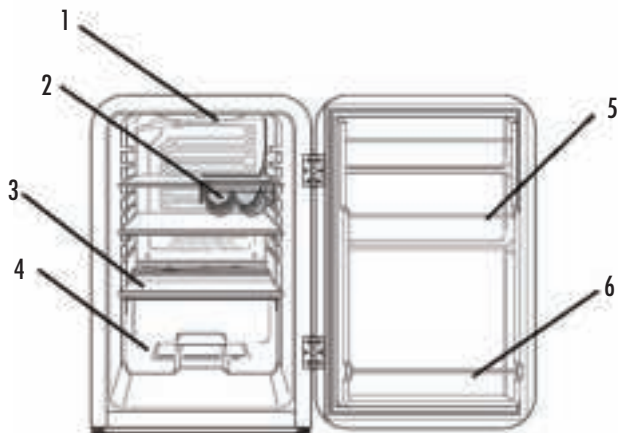
58. Lagern Sie verpackte Lebensmittel gemäß den Anweisungen des Lebensmittelherstellers.

59. WARNUNG! Verwenden Sie keine mechanischen Geräte oder andere Mittel, um den Abtauvorgang zu beschleunigen. Verwenden Sie niemals ein scharfes oder metallisches Instrument, um Frost zu entfernen oder das Gerät zu reinigen. Verwenden Sie ggf. einen Kunststoffschaber.

60. Die Empfehlungen zur Lagerung des Geräts sollten unbedingt beachtet werden. Beachten Sie die entsprechenden Anweisungen.

61. Wenn der Kühlschrank ausgesteckt, ausgeschaltet oder der Strom ausgefallen ist, müssen Sie 3 bis 5 Minuten warten, bevor Sie das Gerät neu starten können. Wenn Sie versuchen, vor dieser Zeitverzögerung neu zu starten, wird der Kühlschrank nicht anlaufen.

## TEILE & PLATZIERUNG



1. LED-Licht
3. Glasablage
5. Tür/Flaschenregal

2. weinregal
4. Salatbox
6. Tür/Flaschenregal

## AUFSTELLEN DES GERÄTS

Auspacken:

- Dieses Produkt wurde verpackt, um es vor Transportschäden zu schützen. Entfernen Sie alle Verpackungsmaterialien um und im Gerät, aber entfernen Sie nicht die Schaumstoffisolierung, die die Rohre auf der Rückseite umgibt. Bewahren Sie den Originalkarton und das Verpackungsmaterial an einem sicheren Ort auf; er hilft, Schäden zu vermeiden, wenn das Produkt in Zukunft transportiert werden muss, und Sie können ihn zur Aufbewahrung des Geräts verwenden, wenn es nicht in Gebrauch ist. Wenn der Karton entsorgt werden soll, recyceln Sie bitte alle Verpackungsmaterialien, sofern möglich.
- Plastikverpackungen können eine Erstickungsgefahr für Babys und Kleinkinder darstellen. Stellen Sie daher sicher, dass alle Verpackungsmaterialien außerhalb ihrer Reichweite liegen und sicher entsorgt werden.
- Teile: Vergewissern Sie sich, dass Sie alle Teile haben, die auf der vorherigen Seite abgebildet sind.
- Wickeln Sie das Netzkabel auf seine volle Länge ab und untersuchen Sie es auf Beschädigungen. Verwenden Sie das Gerät nicht, wenn das Gerät oder das Netzkabel beschädigt ist oder nicht richtig funktioniert. Wenden Sie sich im Schadensfall an unseren Kundendienst, um Ratschläge zur Überprüfung, Reparatur oder Rücksendung des beschädigten Produkts zu erhalten.
- Stellen Sie sicher, dass der Kühlschrank von der Stromversorgung getrennt ist, bevor Sie die Innenflächen und alle internen Zubehörteile mit lauwarmem Wasser, einem weichen Tuch und einer neutralen/ milden Seife/Reinigungsmittel reinigen. Dadurch wird jeglicher Staub von Transport und Lagerung entfernt und der typische Geruch eines fabrikneuen Produkts beseitigt. Trocknen Sie anschließend gründlich ab. Wichtig: Verwenden Sie keine scharfen oder scheuernden Reinigungsmittel oder Puder, da diese die Oberfläche beschädigen.

## TÜRGRIFF INSTALLATION

Der Türgriff wird aufgrund von Verpackungsbeschränkungen unmontiert geliefert. Er lässt sich ganz einfach anbringen, indem Sie die folgenden Anweisungen befolgen.

### 1. Zubehör für Griffe



#1 Schraube  
Anz. 2



#2 Schraube  
Anz. 2



#3 Türgriff  
Anz. 1

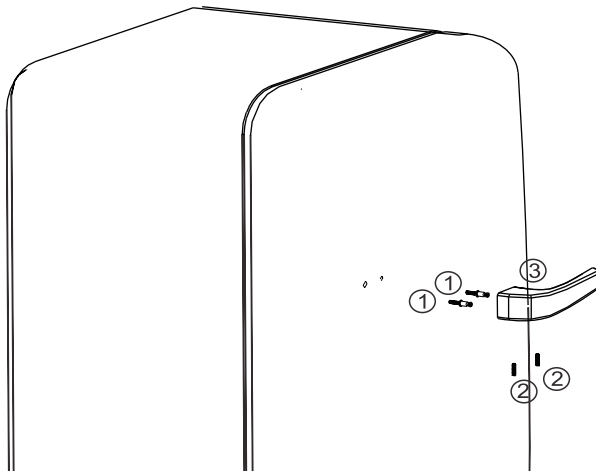
### 2. Befolgen Sie zur Montage des Griffs die nachstehenden Anweisungen:

Entfernen Sie die Originalschrauben von der Tür.

- Befestigen Sie die beiden Schrauben (1) an der Tür.

- Stecken Sie den Metallgriff (3) in die beiden feststehenden Schrauben, passen Sie die beiden Löcher des Griffs an.

- Setzen Sie die Schraube (2) an der Unterseite des Griffs ein und ziehen Sie sie fest.



Den Kühlschrank installieren:

- Lesen Sie vor der Installation Ihres neuen Kühlschranks alle Sicherheitshinweise in diesem Handbuch und befolgen Sie dann die folgenden Anweisungen:

- Stellen Sie den Kühlschrank für einen leiseren Betrieb auf einen stabilen, ebenen Boden. Stellen Sie sicher, dass der Boden stabil genug ist, um den Kühlschrank bei voller Beladung zu tragen.

- Wenn der Kühlschrank auf einen Teppich gestellt werden soll, unterlegen Sie ihn mit einem Holzbrett. Beachten Sie, dass das Aufstellen des Kühlschranks auf dem Teppich dazu führen kann, dass der Teppich durch die Wärme des Kompressors ausbleicht.

- Dieses Gerät ist nur für den freistehenden Betrieb vorgesehen und sollte nicht versenkt oder eingebaut.

- Kippen Sie den Kühlschrank nicht mehr als 45° aus der Senkrechten, wenn Sie ihn bewegen.

- Vermeiden Sie Bereiche, in denen das Gerät direkter Sonneneinstrahlung, Wärmequellen (Ofen, Heizung, Heizkörper usw.), extrem kalten Umgebungstemperaturen oder übermäßiger Feuchtigkeit und hoher Luftfeuchtigkeit ausgesetzt wäre. Durch die Aufstellung im kühlestem Bereich des Raumes werden Energieverbrauch und Betriebskosten gespart.

- Gehen Sie vorsichtig vor! Wenden Sie keine Gewalt auf Teile wie den Verflüssiger oder die Tür an. Die Metallschienen an der Unterseite dieses Kühlschranks können scharfe Kanten haben, daher immer vorsichtig auspacken und handhaben. Ziehen Sie das Gerät nicht: Legen Sie es vorsichtig in Position, um Kratzer auf dem Boden zu vermeiden.

Platzbedarf:

- Stellen Sie das Gerät so auf, dass genügend Platz zum Öffnen der Tür vorhanden ist.

- Stellen Sie sicher, dass die Luft an der Rückseite des Schrankes frei zirkulieren kann, was zur Kühlung des Kompressor und Verflüssiger. Lassen Sie mindestens 100 mm Freiraum an der Rückseite und 50 mm an den Seiten des Geräts.

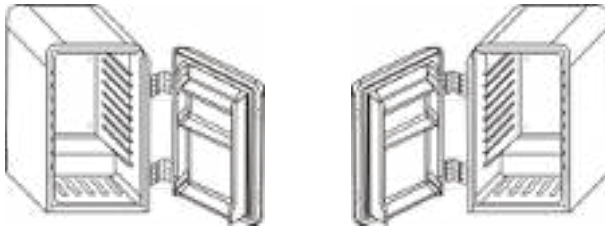
Nivellierung:

- Das Gerät muss waagrecht installiert werden, damit es ordnungsgemäß funktioniert. Wenn das Gerät nicht eben steht, werden die Türen und Magnetdichtungsausrüstungen nicht richtig abgedeckt.  
-Um das Gerät zu nivellieren, stellen Sie einen oder beide Nivellierfüße an der Basis des Geräts ein.

## WENDETÜR

Die Tür kann von links nach rechts und umgekehrt geöffnet werden. Sollten Sie die Öffnungsrichtung ändern wollen, folgen Sie bitte dieser Anleitung.

Hinweis: Alle ausgebauten Teile sollten sicher aufbewahrt werden. Sie benötigen diese für den Wiedereinbau der Tür.



Stützen Sie die Tür von unten ab

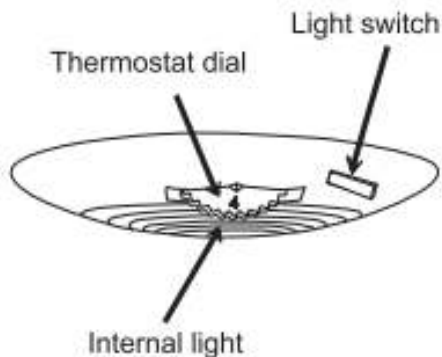
Entfernen Sie die sechs Schrauben, mit denen die Scharniere und zwei Abstandshalter am Schrankrahmen befestigt sind

- Legen Sie die Tür flach auf eine gepolsterte Oberfläche, um Kratzer zu vermeiden  
Entfernen Sie die sechs Scharnierschrauben, mit denen die Scharniere an der Retro-Tür befestigt sind  
Entfernen Sie die Blindstopfen von der gegenüberliegenden Seite und verwenden Sie sie zum Verschließen der Löcher, die durch das Entfernen des Scharniers freigelegt wurden  
Schrauben Sie die Scharniere auf die gegenüberliegende Seite der Tür  
Heben Sie die Tür hoch und richten Sie sie vorsichtig an den Löchern des Schrankes aus  
Schrauben Sie die verbleibenden sechs Schrauben in beide Scharniere und die beiden Abstandshalter in den Schrank, um die Tür zu sichern.



## MECHANISCHE STEUERUNG

Die mechanische Thermostat-Temperaturregelung und der LICHT-Ein/Aus-Schalter befinden sich an den unteren Stellen:



Temperatur-Einstellungen:

Die Einstellungen 0(OFF) - 7(MAX) regeln die Innenraumtemperatur des Kühlschranks.

Einstellung 0(OFF) = nicht in Betrieb (Bitte drücken Sie den Knopf und drehen Sie ihn, um die Position "0" zu erhalten)

Einstellung 1(MIN) = niedrigste Einstellung (wärmste Innentemperatur)

Einstellung 7(MAX) = höchste Einstellung (kälteste Innentemperatur)

**HINWEIS:** Die Kühlschranktemperatur variiert je nach Anzahl der gelagerten Dosen/Flaschen und der Häufigkeit, mit der die Tür geöffnet wird. Die Innentemperatur variiert in verschiedenen Teilen des Kühlschranks. Die Rückseite der Kühlschränke ist am kältesten. Bitte halten Sie die Dosen/Flaschen von der Rückwand fern, um ein Einfrieren der Flaschen zu vermeiden und die Zirkulation der kalten Luft zu ermöglichen.

**HINWEIS:** Die Stellung des Thermostats 0(OFF) zeigt an, dass der Kühlschrank ausgeschaltet ist, obwohl er noch mit Strom versorgt wird. Wenn Sie den Thermostatregler nach links drehen, schaltet sich der Kühlschrank automatisch ein. Wenn der Kühlschrank über einen längeren Zeitraum nicht benutzt werden soll, ziehen Sie den Stecker und lassen Sie die Tür teilweise geöffnet.

## NAHRUNGSMITTELAGERUNG

- Das Kühlfach ist für die kurzfristige Lagerung von frischen Lebensmitteln geeignet. Die Temperatur im Inneren variiert in Abhängigkeit von der Menge der gelagerten Lebensmittel, der Umgebungstemperatur und der Häufigkeit des Türöffnens. Stellen Sie den Thermostat entsprechend ein.
- Um eine gute Kühlleistung zu erhalten und Energie zu sparen, empfehlen wir, die Tür nicht zu lange oder zu oft zu öffnen. Überladen Sie den Kühlschrank nicht, und lassen Sie um die Gegenstände herum genügend Platz für den Kaltluftstrom. Blockieren Sie keine Lüftungsöffnungen.
- Die Wände des Kühlschranks sind mit einer Reihe von Führungsschienen ausgestattet, so dass die Einlegeböden je nach individuellem Lagerbedarf positioniert werden können.
- Um Obst und Gemüse in der Salatschublade frisch zu halten, stellen Sie sicher, dass sie richtig verpackt sind und der Deckel fest auf der Salatschublade sitzt (entsprechendes Modell).
- Zwei Weinflaschen können bequem im Weinregal aufbewahrt werden. Wenn Sie dieses Weinregal nicht benötigen oder zum Reinigen herausnehmen möchten, ziehen Sie die Ablage, die das Regal hält, vollständig aus dem Kühlschrank heraus und schieben Sie dann das Weinregal seitlich aus dem Regal (entsprechendes Modell).

## TIPPS ZUM ENERGIESPAREN

- Stellen Sie den Kühlschrank im kühlestem Bereich des Raumes auf, entfernt von wärmeerzeugenden Geräten und außerhalb der direkten Sonneneinstrahlung.
- Lassen Sie erhitzte Speisen und Getränke auf Raumtemperatur abkühlen, bevor Sie sie in den Kühlschrank stellen.
- Überlasten Sie den Kühlschrank nicht, da dies den Kompressor zwingt, länger zu laufen.
- Wickeln Sie Lebensmittel gut ein und wischen Sie Behälter trocken, bevor Sie sie in den Kühlschrank stellen. Dadurch wird die Reifbildung im Inneren des Kühlschranks verringert.
- Legen Sie keinen Kühlschrankvorratsbehälter mit Alufolie, Wachspapier oder Papiertüchern aus. Auskleidungen behindern die Zirkulation der kalten Luft und verringern die Kühleffizienz.
- Positionieren Sie die Lebensmittel so, dass die Luft frei um sie herum zirkulieren kann.
- Lassen Sie die Kühlschranktür nicht länger als nötig geöffnet.
- Achten Sie darauf, dass kein Lebensmittel die Rückseite des Fachs berührt.
- Stellen Sie den Thermostat nicht auf zu kalte Temperaturen ein.

## WARTUNG & REINIGUNG

Trennen Sie das Gerät vor der Reinigung vom Stromnetz.

### Interne Reinigung

- Gießen Sie kein Wasser über das Gerät.
- Der Hohlraum sollte regelmäßig mit einer Lösung aus Natron und lauwarmem Wasser (5 ml auf 0,5 l Wasser) gereinigt werden.
- Reinigen Sie das Zubehör separat mit Wasser und Seife. Geben Sie sie nicht in die Spülmaschine.
- Verwenden Sie keine Scheuermittel, Reinigungsmittel oder Seifen.
- Nach dem Waschen mit klarem Wasser abspülen und sorgfältig trocknen.
- Wenn Sie mit der Reinigung fertig sind, schließen Sie den Stecker mit trockenen Händen wieder an.

### Externe Reinigung

- Waschen Sie das Außengehäuse mit warmer Seifenlauge. Verwenden Sie KEINE Scheuermittel.
- An der Unterseite des Produkts befinden sich scharfe Kanten, so dass bei der Reinigung Vorsicht geboten ist.
- Stauben Sie ein- bis zweimal pro Jahr die Rückseite des Geräts und den Kompressor an der Rückseite des Geräts mit einem Pinsel oder Staubsauger ab, da eine Staubansammlung die Leistung des Geräts beeinträchtigt und einen erhöhten Energieverbrauch verursacht.

### Warnung:

- Reinigen Sie das Gerät niemals mit scheuernden, säure-, öl- oder lösungsmittelbasierten Reinigungsmitteln oder mit Scheuerschwämmen oder Scheuerlappen. Verwenden Sie niemals brennbare Flüssigkeiten oder Sprays zur Reinigung, da die Dämpfe dieser Substanzen eine Brand- oder Explosionsgefahr darstellen können.
- Reinigen Sie das Gerät niemals mit einem Dampfreiniger. Es könnte sich Feuchtigkeit in den elektrischen Bauteilen ansammeln, es besteht die Gefahr eines Stromschlags! Heiße Dämpfe können zur Beschädigung von Kunststoffteilen führen.
- Das Gerät muss vollständig trocken sein, bevor es wieder in Betrieb genommen wird.
- Ätherische Öle und organische Lösungsmittel können Kunststoffteile angreifen, z. B. Zitronensaft oder der Saft von Orangenschalen oder essigsäurehaltige Reinigungsmittel. Lassen Sie solche Substanzen nicht mit den Geräteteilen in Kontakt kommen.

## FEHLERSUCHE

Problem: Der Kühlschrank funktioniert nicht.

Lösung:

- Prüfen Sie, ob das Gerät eingeschaltet ist.
- Prüfen Sie, ob es einen Stromausfall gegeben hat.
- Prüfen Sie, ob der Stecker nicht defekt ist.
- Prüfen Sie, ob die Sicherung nicht durchgebrannt ist.
- Prüfen Sie, ob die Spannung für das Gerät richtig ist.
- Liegt eine Störung der Steckdose vor? Probieren Sie dazu den Stecker Ihres Geräts aus, indem Sie ihn an eine Steckdose anschließen, von der Sie sicher sind, dass sie funktioniert.

Problem: Die Temperatur im Inneren des Geräts ist nicht kalt genug.

Lösung:

- Prüfen Sie, dass sich nicht zu viele Lebensmittel im Gerät befinden.
- Prüfen Sie, ob der Thermostat auf eine geeignete Temperatur eingestellt ist.
- Stellen Sie sicher, dass das Gerät nicht in direktem Sonnenlicht oder zu nahe an einer Heizquelle steht.
- Prüfen Sie, ob die Umgebungstemperatur innerhalb der Betriebsgrenzen des Geräts liegt.
- Werden die Türen des Geräts häufig geöffnet? Sobald die Tür geöffnet wird, gelangt die in der Raumluft befindliche Feuchtigkeit in das Gerät, insbesondere wenn die Luftfeuchtigkeit im Raum sehr hoch ist. Je häufiger die Tür unter feuchten Bedingungen geöffnet wird, desto größer ist die Wahrscheinlichkeit, dass sich Feuchtigkeit ansammelt.
- Die Tür ist nicht vollständig geschlossen.
- Die Türdichtung dichtet nicht richtig ab.
- Der Kühler hat an den Seiten/Hinterseiten nicht die richtigen Abstände.

Problem: Die Temperatur innerhalb des Geräts ist zu kalt.

Lösung:

- Erhöhen Sie die Arbeitstemperatur, indem Sie den Thermostat auf eine niedrigere Stufe einstellen. Die höchste Einstellung sollte nur als Schnellkühleinstellung verwendet werden und erst 2 Stunden bevor eine größere Menge an Lebensmitteln in den Kühlschrank gelegt wird, eingestellt werden. Andernfalls kann die Temperatur im Kühlfach unter 0 °C sinken, da der Kompressor ständig läuft.

Problem: Es bildet sich Feuchtigkeit an den Innen- oder Außenwänden des Kühlschranks.

Lösung:

- Heißes und feuchtes Wetter erhöht die interne Rate der Frostbildung. Dies ist normal.
- Öffnen Sie die Tür weniger oft und achten Sie darauf, dass sie immer richtig geschlossen ist.

Problem: Die Außenflächen des Geräts sind nass.

Lösung:

- Wenn der Kühler in feuchten Räumen betrieben wird, bildet sich außen Kondenswasser, wischen Sie ihn einfach trocken.

Problem: Geruch

Lösung:

- Prüfen Sie, ob alle im Kühlschrank befindlichen Lebensmittel und Getränke abgelaufen und korrekt verpackt sind. Wenn dies nicht der Fall ist, sollten sie sofort entnommen oder neu verpackt werden. Überprüfen Sie jedes Regal, jede Ablage und jede Schublade auf verschüttete Flüssigkeiten. Möglicherweise müssen Sie die Schubladen herausnehmen, um zu prüfen, ob sich darunter verschüttete Flüssigkeiten abgesetzt haben. Nicht gereinigte und liegengeliebene Verschüttungen können Gerüche und unerwünschte Gerüche verursachen.

Problem: Die Türen schließen nicht richtig.

Lösung:

- Stellen Sie sicher, dass keine Hindernisse vorhanden sind, die das Schließen der Tür verhindern.
- Prüfen Sie, ob die Türfächer und Einlegeböden richtig eingesetzt sind.
- Prüfen Sie, ob die Türdichtung nicht verzogen oder gerissen ist.
- Prüfen Sie, ob das Gerät waagrecht steht.

Problem: Ungewöhnliche Geräusche.

Lösung:

- Prüfen Sie, ob das Gerät auf einer ebenen, waagerechten Fläche steht und stabil ist.
- Überprüfen Sie die Abstände um das Gerät und stellen Sie sicher, dass es keine anderen Gegenstände berührt.
- Blubberndes und gurgelndes Geräusch:- Dieses Geräusch wird erzeugt, wenn die Kühlmittel fließt durch die Leitungen im System. Dies ist normal.
- Geräusch von fließendem Wasser: - Dies ist das normale Geräusch von Wasser die während des Abtauprozesses in die Ablaufrinne fließen.
- Wenn das Gerät geräuschvoll arbeitet (Kompressorgeräusch): Dies ist normal. Dieses Geräusch zeigt an, dass der Kompressor normal arbeitet. Da der Kompressor mit Strom versorgt wird, kann er für kurze Zeit etwas lauter laufen.
- Das Zusammenziehen und Ausdehnen der Innenwände kann knallende und knackende Geräusche verursachen.

Problem: Die Kühlschranktür lässt sich nicht öffnen.

Lösung:

- Wenn die Tür gerade geöffnet wurde, lassen Sie sie einige Minuten lang stehen, damit sich der Luftdruck ausgleichen kann, bevor Sie es erneut versuchen.

Problem: Der Kompressor läuft ununterbrochen.

Lösung:

- Die Temperatur ist zu kalt eingestellt: Wählen Sie eine niedrigere (wärmere) Einstellung.
- Die Tür ist offen, oder etwas behindert das ordnungsgemäße Schließen der Tür.
- Die Türdichtungen sind verschlissen, verschmutzt oder beschädigt.
- Es wurden große Mengen an Lebensmitteln in den Kühlschrank eingefüllt.
- Die Raumtemperatur ist heißer als sonst.

Problem: Die Außenfläche des Kühlschranks ist warm.

Lösung:

- Die Außenwände können wärmer sein als die Raumtemperatur. Dies ist normal, während der Kompressor arbeitet, um Wärme von innen zu übertragen den Kühlschrankschrank.

## GEHEN SIE WEG?

- Kurzer Urlaub: Lassen Sie den Kühlschrank bei Urlauben von weniger als einem Monat in Betrieb.
- Langer Urlaub: Wenn Sie die Frishekante längere Zeit nicht benutzen, entfernen Sie alle Lebensmittel und ziehen Sie den Netzstecker. Reinigen und trocknen Sie den Innenraum gründlich. Um Geruchs- und Schimmelbildung vorzubeugen, lassen Sie die Tür leicht geöffnet und sperren Sie sie ggf. auf. (Beschränken Sie den Zugang von Kindern zu dem Raum mit dem offenen Kühlschrank, um eine Einklemmgefahr für Kinder zu vermeiden).

## VERSCHIEBEN DES KÜHLSCHRANKS

- Ziehen Sie den Stecker des Kühlschranks und entfernen Sie alle Lebensmittel aus dem Inneren. Kleben Sie die Schublade und die Einlegeböden mit Klebeband fest und kleben Sie die Tür zu. Drehen Sie die Nivellierfüße bis zum Boden, um Beschädigungen zu vermeiden.
- VORSICHT: Heben Sie den Kühlschrank niemals an der Tür an.
- Schützen Sie die Außenseite des Geräts mit einer Decke oder einem ähnlichen weichen Material und stellen Sie sicher, dass der Kühlschrank während des Transports sicher in der aufrechten Position

## ENTSORGUNG

Dieses Gerät nicht über den Haushaltsmüll entsorgen.  
Bitte entsorgen Sie dieses Gerät über ein zugelassenes Entsorgungsunternehmen oder Ihre öffentliche Recyclinganlage.  
Bitte beachten Sie die aktuell geltenden Richtlinien und wenden Sie sich im Zweifelsfall an Ihre zuständige Recyclinganlage.

## GARANTIE

Sehr geehrte Kundin, sehr geehrter Kunde,

vielen Dank, dass Sie sich für ein Produkt der Marke MOA entschieden haben.

Wir möchten Sie hiermit darüber informieren, dass die Gewährleistung dieses Produkts sämtliche gesetzlichen Vorschriften zu bestehenden Gewährleistungen sowie Ihre Rechte als Verbraucher in dem Land berücksichtigt, in dem Sie dieses Produkt gekauft haben.

Sollten Sie einen Fehler feststellen oder sollte Ihr MOA-Gerät nicht ordnungsgemäß funktionieren, wenden Sie sich bitte an das betreffende Kundenservice-Zentrum.

Mit freundlichen Grüßen  
Ihr MOA Team

## AVANT UTILISATION

Avant utilisation, veuillez lire attentivement ce manuel.

### **Branchez l'appareil uniquement sur une prise murale mise à la terre.**

Cet appareil est destiné à un usage domestique uniquement. Lors de l'utilisation d'appareils électriques, des précautions de sécurité de base doivent toujours être suivies pour éviter les incendies, les chocs électriques, les brûlures ou autres blessures et dommages. Lisez attentivement ces instructions de fonctionnement et de sécurité.

## PRÉCAUTIONS IMPORTANTES À RENDRE (1/6)

1. Éliminer les risques pour les enfants. Avant de jeter votre ancien appareil :
  - Retirez les portes.
  - Laissez les étagères en place afin que les enfants ne puissent pas facilement y pénétrer. - Coupez le câble de connexion (aussi près que possible de l'appareil.)
  - Si cet appareil que vous remplacez présentait un verrou à ressort (loquet) sur la porte ou le couvercle, assurez-vous de rendre ce verrou à ressort inutilisable avant de jeter l'appareil ancien. Cela l'empêchera de devenir un piège mortel pour un enfant.
2. Assurez-vous que la tension de votre prise et la fréquence de votre circuit correspondent bien à la tension indiquée sur l'étiquette signalétique de l'appareil. Si ce n'est pas le cas, contactez le service après-vente et n'utilisez pas le réfrigérateur.
3. N'utilisez aucun autre appareil en même temps sur le même circuit électrique car cela pourrait provoquer un court-circuit et faire sauter le fusible ou le disjoncteur.
4. Pour vous protéger contre les incendies et les chocs électriques, ne plongez pas le câble, la fiche, la base électrique ou le corps du réfrigérateur Retro Under Counter dans l'eau ou tout autre liquide. N'exposez pas les connexions électriques à l'eau.
5. Le câble doit être placé de manière à éviter que quiconque le tire par inadvertance ou ne trébuche.



## PRÉCAUTIONS IMPORTANTES À RENDRE (2/6)

6. Ne jamais plier, tordre, écraser, tirer ou endommager le câble d'alimentation. Le protéger contre les objets tranchants et les sources de chaleur.
7. Attraper la fiche lors de la déconnexion, ne jamais tirer sur le câble.
8. Ne jamais laisser le câble dépasser du bord d'une table ou d'un plan de travail. Ne jamais le placer sur des surfaces chaudes.
9. Ne pas soulever ni faire fonctionner l'appareil si le câble d'alimentation ou la fiche sont endommagés, ou si l'appareil fonctionne mal ou après qu'il soit tombé ou s'il est endommagé de quelque manière que ce soit.
10. En cas de dommage, contactez le service après-vente pour obtenir des conseils.
11. Un câble ou une fiche endommagés doivent être remplacés par le fabricant ou une personne qualifiée pour éviter tout danger.
12. Veillez à ce que toutes les connexions électriques soient propres et sèches avant la mise en marche.
13. Ne jamais utiliser cet appareil avec une rallonge.
14. Débrancher toujours l'appareil de la prise de courant lorsqu'il n'est pas utilisé ainsi qu'avant le nettoyage, l'entretien, la maintenance ou le déplacement de l'appareil.
15. Cet appareil n'est pas conçu pour être utilisé au moyen d'une minuterie externe ou d'un système de télécommande séparé.
16. Cet appareil est destiné à un usage domestique uniquement.
17. Ce produit n'est pas destiné à un usage commercial. Ne l'utilisez pas à l'extérieur.
18. N'utilisez ce réfrigérateur que comme cela est indiqué dans ce manuel. Toute autre utilisation n'est pas recommandée et peut provoquer un incendie, un choc électrique ou des blessures.
19. Une mauvaise installation et l'utilisation d'accessoires non recommandés par le fabricant de l'appareil peuvent entraîner un incendie, un choc électrique ou des blessures et annuleront votre garantie.

## PRÉCAUTIONS IMPORTANTES À RENDRE (3/6)

20. Nous n'assumons aucune responsabilité pour tout dommage éventuel causé par une utilisation incorrecte ou défectueuse.

21. Cet appareil n'est pas destiné à être utilisé par des personnes (y compris des enfants) ayant des capacités physiques, sensorielles ou mentales réduites, ou un manque d'expérience et de connaissances, à moins qu'elles n'aient reçu une supervision ou des instructions concernant l'utilisation des appareils par une personne responsable pour leur sécurité.

22. Les enfants doivent être surveillés pour s'assurer qu'ils ne jouent pas avec l'appareil.

23. Une surveillance étroite est nécessaire lorsqu'un appareil est utilisé par ou à proximité d'enfants.

24. Ne pas utiliser ni de nettoyants chimiques, ni de laine d'acier ou d'abrasifs pour nettoyer l'extérieur de l'appareil, cela risquerait de rayer la surface métallique.

25. Ne pas utiliser l'appareil à proximité de liquides (évier de cuisine, bassins d'eau, robinets, etc.).

26. S'assurer que toutes les pièces sont correctement assemblées avant l'utilisation.

27. Entretien l'appareil en suivant les instructions pour vous assurer qu'il fonctionne correctement.

28. En cas de dysfonctionnement du produit, ou s'il a été endommagé de quelque manière que ce soit, appeler le service après-vente pour obtenir de l'aide.

29. Débrancher immédiatement l'appareil en cas de feu ou de fumée.

30. Placer le produit sur une surface plane, rigide et stable, loin des sources de lumière directe du soleil ou de chaleur excessive.

31. Ne jamais placer le produit à proximité de sources de chaleur telles que radiateurs, bouches de chaleur, cuisinières ou autres appareils produisant de la chaleur.

32. Ne jamais placer le produit à proximité d'autres objets susceptibles de l'endommager, tels que des sources de flammes nues (bougies allumées) ou des objets contenant de l'eau (un vase ou un bocal à poissons).

## PRÉCAUTIONS IMPORTANTES À RENDRE (4/6)

33. Veiller à ce qu'aucun objet ne tombe et qu'aucun liquide ne soit renversé dans les ouvertures.

34. Éviter la surchauffe : Placer le produit dans un endroit suffisamment aéré. Assurez-vous que l'air peut circuler librement à l'arrière du réfrigérateur. Pour garantir les meilleures performances, laissez une distance d'environ 100 mm de tous les côtés du réfrigérateur.

35. Cet appareil est doté d'un câble d'alimentation court pour réduire le risque de s'emmêler et de trébucher. L'utilisation d'une rallonge ou d'un câble détachable plus long n'est pas recommandée avec cet appareil.

36. À l'intérieur de l'appareil, il n'y a pas de pièce détachée qui soit réparable par l'utilisateur. N'essayez pas de réparer cet appareil. Veuillez appeler notre service après-vente pour obtenir des instructions.

**Danger !** Risque d'incendie ou d'explosion. Réfrigérant inflammable utilisé. Ne peut être réparé que par un personnel de service qualifié. Ne jamais percer le tube du réfrigérateur.

**Mise en garde !** Risque d'incendie ou d'explosion. Réfrigérant inflammable utilisé. Consultez le manuel de réparation / du fabricant avant d'essayer de réparer ce produit. Toutes les précautions de sécurité doivent être suivies.

**Mise en garde !** Risque d'incendie ou d'explosion. Éliminez les biens conformément aux réglementations fédérales ou locales. Réfrigérant inflammable utilisé.

**Mise en garde !** Risque d'incendie ou d'explosion dû à la perforation du tube du réfrigérateur; suivez attentivement les instructions de manipulation. Réfrigérant inflammable utilisé.

37. L'isobutane réfrigérant (R600a) est contenu dans le circuit de réfrigérant de l'appareil, un gaz avec un haut niveau de compatibilité environnementale, qui est néanmoins inflammable. Lors du transport et de l'installation de l'appareil, assurez-vous qu'aucun des composants du circuit frigorifique n'est endommagé.

**AVERTISSEMENT:** ne pas endommager le circuit frigorifique ! N'utilisez jamais un appareil dont le circuit frigorifique est endommagé ! Si le circuit frigorifique est endommagé, éviter la proximité de feux ouverts et de tous types de sources de chaleur et d'inflammation. Aérez bien la pièce dans laquelle se trouve l'appareil.

## PRÉCAUTIONS IMPORTANTES À RENDRE (5/6)

38. Il est dangereux pour quiconque autre qu'un technicien autorisé de réparer cet appareil.

39. L'espace d'installation de l'appareil doit être d'au moins 1 m \* pour 8 g de réfrigérant. La quantité et le type de réfrigérant dans l'appareil sont indiqués dans les spécifications techniques.

40. N'utilisez pas d'autres appareils électriques (tels que des sorbetières) à l'intérieur d'appareils de réfrigération, à moins qu'ils ne soient approuvés à cet effet par le fabricant.

41. Ne stockez pas de substances explosives telles que des bombes aérosols contenant un propulseur inflammable dans cet appareil.

42. Lors du transport et de l'installation de l'appareil, assurez-vous qu'aucun des composants du circuit frigorifique ne soit endommagé.

43. Évitez les flammes nues et les sources d'ignition.

44. Aérez bien la pièce dans laquelle se trouve l'appareil.

45. Il est dangereux de ne pas suivre les consignes données ou de modifier ce produit de quelque manière que ce soit.

46. Tout dommage au câble peut provoquer un court-circuit, un incendie et / ou un choc électrique.

47. Cet appareil est lourd. Des précautions doivent être prises lors de son déplacement. Pour éviter les blessures au dos ou autres, prévoyez d'être à deux personnes pour le lever ou utilisez une aide mécanique lors de son installation. Le non-respect de cette consigne peut entraîner des blessures au dos ou d'autres blessures.

48. Évitez une exposition prolongée de l'appareil aux rayons directs du soleil.

49. Cet appareil est destiné à être utilisé uniquement dans un foyer.

50. Tous les composants électriques (fiche, câble d'alimentation, compresseur, etc.) doivent être remplacés par un agent de service certifié ou un personnel de service qualifié.

## PRÉCAUTIONS IMPORTANTES À RENDRE (6/6)

51. N'UTILISEZ PAS DE CÂBLE D'EXTENSION. Utilisez une prise murale exclusive. Ne connectez pas votre réfrigérateur à des rallonges ou à une prise utilisée par tout autre appareil.

52. Assurez-vous que la fiche d'alimentation ne soit ni écrasée ni endommagée par l'arrière de l'appareil. Une fiche d'alimentation écrasée ou endommagée peut surchauffer et provoquer un incendie.

53. Avant la première utilisation, il est conseillé d'attendre au moins huit heures avant de brancher l'appareil pour permettre à l'huile de refluer dans le compresseur.

54. Une circulation d'air adéquate doit être autour de l'appareil, faute de quoi cela peut entraîner une surchauffe. Pour obtenir une ventilation suffisante, suivez les instructions relatives à l'installation.

55. L'appareil ne doit pas être situé à proximité de radiateurs ou de cuisinières.

56. Assurez-vous que la fiche secteur soit accessible après l'installation de l'appareil.

57. Ne mettez pas d'aliments chauds dans l'appareil.

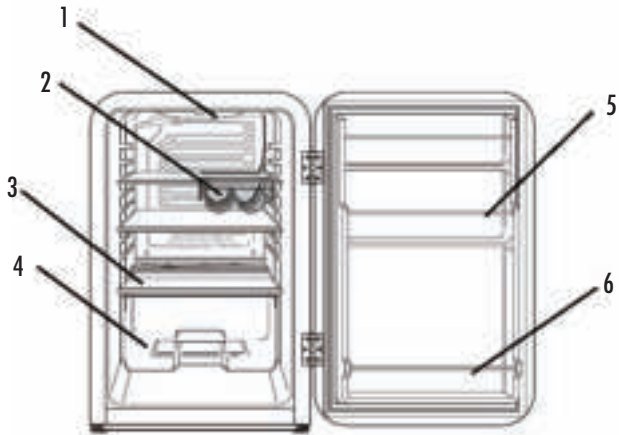
58. Entreposez les aliments préemballés conformément aux instructions du fabricant des aliments.

59. AVERTISSEMENT ! N'utilisez pas de dispositifs mécaniques ou d'autres moyens pour accélérer le processus de dégivrage. N'utilisez jamais un instrument pointu ou métallique pour enlever le givre ou nettoyer l'appareil. Utilisez un grattoir en plastique, si nécessaire.

60. Les recommandations de stockage de l'appareil doivent être strictement respectées. Reportez-vous aux instructions pertinentes.

61. Si le réfrigérateur est débranché, éteint ou a perdu du courant, vous devez attendre 3 à 5 minutes avant de redémarrer l'appareil. Si vous essayez de redémarrer avant ce délai, le réfrigérateur ne démarrera pas.

## PIÈCES & PLACEMENT



1. Lumière LED
3. Étagère en verre
4. Bac à salade

2. Casier à vin
5. Porte / étagère à bouteilles
6. Porte / étagère à bouteilles

## MISE EN PLACE DE L'APPAREIL

Déballage :

- Ce produit a été emballé pour le protéger contre les dommages dus au transport. Retirez tous les matériaux d'emballage autour et à l'intérieur de l'appareil, mais ne retirez aucune mousse isolante entourant les tuyaux à l'arrière. Conservez le carton d'emballage d'origine et les matériaux dans un endroit sûr; cela aidera à éviter tout dommage si le produit doit être transporté à l'avenir, et vous pouvez l'utiliser pour stocker l'appareil lorsqu'il n'est pas utilisé. Si le carton doit être jeté, veuillez recycler tous les matériaux d'emballage dans la mesure du possible.

- L'emballage en plastique peut présenter un risque d'étouffement pour les bébés et les jeunes enfants, assurez-vous donc que tous les matériaux d'emballage soient hors de leur portée et jetés en toute sécurité.

- Pièces: vérifiez que vous disposez de toutes les pièces illustrées sur la page précédente.

- Déroulez le câble d'alimentation sur toute sa longueur et vérifiez qu'il ne soit pas endommagé. N'utilisez pas l'appareil si l'appareil ou son câble ont été endommagés ou ne fonctionnent pas correctement. En cas de dommage, contactez notre service après-vente pour obtenir des conseils, la réparation ou le retour du produit endommagé.

- Assurez-vous que le réfrigérateur soit débranché de l'alimentation électrique avant de nettoyer les surfaces intérieures et tous les accessoires internes avec de l'eau tiède, un chiffon doux et un savon / détergent neutre / doux. Cela enlèvera toute la poussière du transport et du stockage et aidera à éliminer l'odeur typique qu'ont les nouveaux produits. Puis séchez soigneusement. Important : n'utilisez pas de détergents ou de poudres agressifs ou abrasifs car ils endommageraient la finition.

## INSTALLATION DE LA POIGNÉE DE PORTE

La poignée de porte est détachée en raison des restrictions d'emballage. Il est facile de la monter en suivant les instructions ci-dessous.

### 1. Accessoires de la poignée



#1 Vis  
Qté. 2



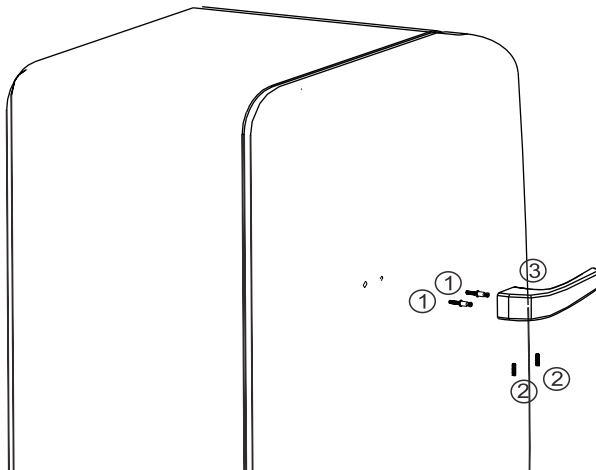
#2 Vis  
Qté. 2



#3 Poignée de la porte  
Qté. 1

### 2. Pour installer la poignée, suivez les instructions ci-dessous :

- Retirez les vis d'origine de la porte.
- Fixez les deux vis (1) sur la porte.
- Mettez la poignée métallique (3) dans les deux vis fixées, faites correspondre les deux trous de la poignée.
- Mettez les vis à l'intérieur (2) au bas de la poignée et fixez-les fermement.





#### Installation du réfrigérateur :

- Avant d'installer votre nouveau réfrigérateur, lisez toutes les consignes de sécurité de ce manuel, puis suivez les instructions ci-dessous :

- Placez le réfrigérateur sur un sol solide et plat pour un fonctionnement plus silencieux. Assurez-vous que le sol soit suffisamment solide pour supporter le réfrigérateur lorsqu'il est complètement chargé.

- Si le réfrigérateur doit être placé sur un tapis, soutenez-le avec une planche de bois en dessous. Sachez que le fait de placer le réfrigérateur sur le tapis peut signifier que la chaleur du compresseur peut provoquer la décoloration du tapis.

- Cet appareil est conçu pour être autonome uniquement et ne doit pas être encastré.

- N'inclinez pas le réfrigérateur à plus de 45 ° par rapport à la verticale lorsque vous le déplacez.

- Évitez les endroits où l'appareil serait exposé à la lumière directe du soleil, à des sources de chaleur (cuisinière, radiateur, radiateur, etc.), à des températures ambiantes extrêmement froides ou à une humidité excessive et à une forte humidité. L'installer dans la zone la plus fraîche de la pièce permettra d'économiser de l'énergie et des coûts de fonctionnement.

- Manipuler avec soin ! N'exercez aucune force sur une pièce telle que le condenseur ou la porte. Les rails métalliques en bas sous ce réfrigérateur peuvent avoir des bords tranchants, donc toujours débarrer et manipuler avec soin. Ne faites pas glisser l'appareil : placez-le soigneusement en place pour éviter de rayer le sol.

#### Espace requis :

- Placez l'appareil de manière à ce qu'il y ait suffisamment d'espace pour que la porte s'ouvre.

- Assurez-vous que l'air puisse circuler librement à l'arrière de l'armoire, ce qui est nécessaire pour refroidir le compresseur et le condenseur. Laissez un espace libre d'au moins 100 mm à l'arrière et de 50 mm sur les côtés de l'unité.

#### Mise à niveau :

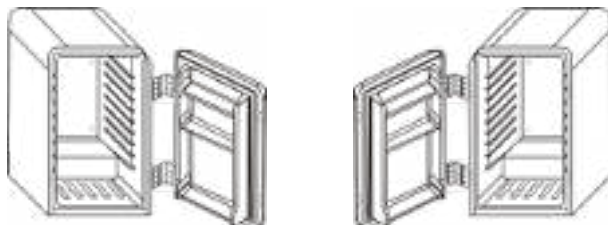
- L'appareil doit être installé de niveau pour fonctionner correctement.

Si l'unité n'est pas de niveau, les portes et l'alignement des joints magnétiques ne seront pas correctement couverts.

Pour mettre l'appareil à niveau, ajustez un ou les deux pieds de nivellement à la base de l'appareil.

## PORTE RÉVERSIBLE

La porte peut être ouverte de gauche à droite et vice versa. Si vous souhaitez modifier le sens d'ouverture, veuillez suivre ces instructions. Remarque : toutes les pièces retirées doivent être conservées en toute sécurité. Vous en aurez besoin pour la réinstallation de la porte.



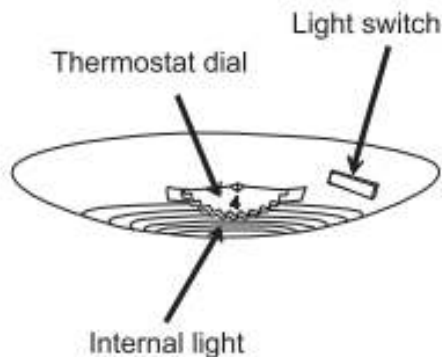
Soutenez la porte par le bas

Retirez les six vis qui fixent les charnières et les deux entretoises au cadre de l'armoire

Placez la porte à plat sur une surface rembourrée pour éviter les rayures. Retirez les six vis qui fixent les charnières sur la porte. Retirez les bouchons d'obturation du côté opposé et utilisez-les pour boucher les trous exposés par le retrait de la charnière. Vissez les charnières sur le côté opposé de la porte. Soulevez la porte et alignez-la soigneusement avec les trous de l'armoire. Vissez les six vis restantes dans les deux charnières et les deux entretoises dans l'armoire pour sécuriser la porte.

## CONTROLEUR MÉCANIQUE

Le contrôle mécanique de la température du thermostat et l'interrupteur LUMIÈRE marche / arrêt sont situés aux endroits ci-dessous :



Réglages de température :

Les réglages 0 (OFF) - 7 (MAX) régulent la température intérieure du réfrigérateur.

Réglage 0 (OFF) = ne fonctionne pas (veuillez appuyer sur le bouton et tourner pour obtenir la position «0»)

Réglage 1 (MIN) = réglage le plus bas (température interne la plus chaude) Réglage 7 (MAX) = réglage le plus élevé (température interne la plus froide)

REMARQUE : La température du réfrigérateur varie en fonction du nombre de canettes / bouteilles stockées et de la fréquence à laquelle la porte est ouverte. La température interne varie dans différentes parties du réfrigérateur. L'arrière des réfrigérateurs est le plus froid. Veuillez garder les canettes / bouteilles éloignées de la paroi arrière pour éviter de geler les bouteilles et pour permettre la circulation de l'air froid.

REMARQUE : La position 0 (OFF) du thermostat indique que le réfrigérateur est éteint bien que l'alimentation soit toujours fournie. En tournant le cadran du thermostat vers la gauche, le réfrigérateur s'allumera automatiquement. Si le réfrigérateur n'est pas utilisé pendant une longue période, débranchez la fiche et laissez la porte partiellement ouverte.

## STOCKAGE DES ALIMENTS

- Le compartiment réfrigérateur convient au stockage à court terme d'aliments frais. La température à l'intérieur varie en fonction de la quantité d'aliments stockés, de la température ambiante et de la fréquence d'ouverture de la porte. Ajustez le thermostat en conséquence.
- Afin de maintenir une bonne efficacité de refroidissement et d'économiser de l'énergie, nous vous recommandons de ne pas ouvrir la porte trop longtemps ou trop souvent. Ne surchargez pas le réfrigérateur et gardez suffisamment d'espace autour des articles pour permettre une circulation de l'air froid. Ne bloquez pas les ouvertures de ventilation.
- Les parois du réfrigérateur sont équipées d'une série de glissières afin que les étagères puissent être positionnées en fonction des besoins de stockage individuels.
- Afin de conserver les fruits et légumes frais dans le bac à salade, assurez-vous qu'ils sont correctement emballés et que le couvercle repose fermement sur le dessus du bac à salade (modèle applicable).
- Deux bouteilles de vin peuvent être rangées de manière pratique dans le casier à vin suspendu. Si vous n'avez pas besoin de ce casier à vin, ou si vous voulez le retirer pour le nettoyage, sortez complètement l'étagère qui maintient le casier hors du réfrigérateur, puis faites glisser le casier à vin sur le côté de l'étagère (modèle applicable).

## CONSEILS POUR UNE ÉCONOMIE D'ÉNERGIE

- Placez le réfrigérateur dans la zone la plus fraîche de la pièce, loin des appareils produisant de la chaleur et à l'abri de la lumière directe du soleil.
- Laissez refroidir les aliments et les boissons chauffés à température ambiante avant de les placer dans le réfrigérateur.
- Ne surchargez pas le réfrigérateur car cela oblige le compresseur à fonctionner plus longtemps.
- Emballez correctement les aliments et essuyez les contenants avant de les placer au réfrigérateur. Cela réduit l'accumulation de givre à l'intérieur du réfrigérateur.
- Ne recouvrez aucun bac de rangement du réfrigérateur de papier d'aluminium, de papier ciré ou d'essuie-tout. Les doublures interfèrent avec la circulation de l'air froid, ce qui réduit l'efficacité du refroidissement.
- Placez les aliments de manière à ce que l'air puisse circuler librement autour d'eux.
- Ne laissez pas la porte du réfrigérateur ouverte plus longtemps que nécessaire.
- Assurez-vous qu'aucun aliment ne touche l'arrière du compartiment. Ne réglez pas le thermostat sur des températures trop froides.

## ENTRETIEN ET NETTOYAGE

Débranchez l'appareil de l'alimentation électrique avant de le nettoyer.

### Nettoyage interne

- Ne versez pas d'eau sur l'appareil.
- La cavité doit être nettoyée régulièrement à l'aide d'une solution de bicarbonate de soude et d'eau tiède (5ml à 0,5 litre d'eau)
- Nettoyez les accessoires séparément avec du savon et de l'eau. Ne les mettez pas au lave-vaisselle.
- N'utilisez pas de produits abrasifs, de détergents ou de savons.
- Après le lavage, rincer à l'eau claire et sécher soigneusement.
- Une fois le nettoyage terminé, branchez la fiche à nouveau avec les mains sèches.

### Nettoyage extérieur

- Lavez l'armoire extérieure avec de l'eau savonneuse tiède. N'utilisez PAS de produits abrasifs.
- Les bords sur la face inférieure de l'appareil sont tranchants, il faut donc faire attention lors du nettoyage.
- Épousseter une à deux fois par an l'arrière de l'appareil et le compresseur à l'arrière de l'appareil, avec une brosse ou un aspirateur, car une accumulation de poussière affecte les performances de l'appareil et entraîne une augmentation de la consommation d'énergie.

### Avertissement :

- Ne nettoyez jamais l'appareil avec un agent nettoyant abrasif, acide, huileux ou à base de solvant, ou avec des tampons abrasifs ou des tampons à récurer. N'utilisez jamais de liquides ou de sprays inflammables pour le nettoyage car les vapeurs de ces substances peuvent créer un risque d'incendie ou d'explosion.
- Ne nettoyez jamais l'appareil avec un nettoyeur vapeur. De l'humidité pourrait s'accumuler dans les composants électriques, risque d'électrocution ! Les vapeurs chaudes peuvent endommager les pièces en plastique.
- L'appareil doit être complètement sec avant d'être remis en service.
- Les huiles éthérées et les solvants organiques peuvent attaquer les pièces en plastique, par exemple le jus de citron ou le jus d'écorce d'orange, ou les nettoyants contenant de l'acide acétique. Ne laissez pas de telles substances entrer en contact avec les pièces de l'appareil.

## DÉPANNAGE

Problème : le réfrigérateur ne fonctionne pas.

Solution :

- Vérifiez que l'appareil soit allumé.
- Vérifiez qu'il n'y a pas eu de coupure de courant.
- Vérifiez que la fiche n'est pas défectueuse.
- Vérifiez que le fusible n'a pas sauté.
- Vérifiez que la tension soit correcte pour l'appareil.
- Y a-t-il un dysfonctionnement de la prise ? Pour cela, essayez la fiche de votre appareil en la branchant sur une prise dont vous êtes sûr qu'elle fonctionne.

Problème : La température à l'intérieur de l'appareil n'est pas assez froide

Solution :

- Vérifiez qu'il n'y a pas trop d'aliments dans l'appareil.
- Vérifiez que le thermostat soit réglé à une température appropriée.
- Vérifiez que l'appareil ne soit pas exposé à la lumière directe du soleil ou trop près d'une source de chaleur.
- Vérifiez que la température ambiante se situe dans les limites de fonctionnement de l'appareil.
- Les portes de l'appareil sont-elles ouvertes fréquemment ? Une fois la porte ouverte, l'humidité présente dans l'air de la pièce pénètre dans l'appareil, surtout si le taux d'humidité dans la pièce est très élevé. Plus la porte est ouverte souvent dans des conditions humides, plus il y a de risque d'accumulation d'humidité.
- La porte n'est pas complètement fermée.
- Le joint de la porte ne se scelle pas correctement.
- La glacière n'a pas les dégagements nécessaires sur les côtés / à l'arrière.

Problème : la température à l'intérieur de l'appareil est trop froide.

Solution:

- Augmentez la température de fonctionnement en réglant le thermostat sur un réglage plus bas. Le réglage le plus élevé ne doit être utilisé que comme réglage de refroidissement rapide et ne doit être réglé que 2 heures avant qu'une grande quantité d'aliments soit placée dans le réfrigérateur. Si cela n'est pas respecté, la température dans le compartiment du réfrigérateur pourrait descendre en dessous de 0 ° C car le compresseur fonctionnera en continu.

Problème : De l'humidité se forme sur les parois intérieures ou extérieures du réfrigérateur.

Solution :

- Le temps chaud et humide augmente le taux interne de formation de givre. C'est normal.
- Ouvrez la porte moins souvent et assurez-vous qu'elle soit toujours correctement fermée.

Problème : les surfaces extérieures de l'appareil sont humides.

Solution :

- La condensation proviendra de l'extérieur de la glacière si elle fonctionne dans des zones humides, essuyez-la tout simplement.

Problème : mauvaise odeur

Solution :

- Vérifiez que tous les aliments et boissons qui se trouvent dans le réfrigérateur ne soient pas périmés et qu'ils soient correctement emballés. Si ce n'est pas le cas, vous devez les retirer immédiatement. Vérifiez chaque étagère, grille et tiroir pour détecter les éventuels déversements. Vous devrez peut-être retirer les tiroirs pour vérifier qu'aucun déversement ne s'est déposé en dessous. Les déversements qui n'ont pas été nettoyés et qui ont été laissés peuvent provoquer des odeurs indésirables.

Problème : Les portes ne se ferment pas correctement.

Solution :

- Assurez-vous qu'il n'y ait pas d'obstacles empêchant la fermeture de la porte.
- Vérifiez que les compartiments de porte et les étagères soient correctement placés.
- Vérifiez que le joint de la porte ne soit ni déformé ni déchiré.
- Vérifiez que l'appareil soit de niveau.

Problème : Bruits inhabituels.

Solution :

- Vérifiez que l'appareil se trouve sur une surface plane, de niveau et stable.
- Vérifiez l'espace autour de l'appareil et assurez-vous qu'il ne touche pas d'autres éléments.
- Bruit de bulles et gargouillis: • Ce bruit est émis lorsque le liquide de refroidissement s'écoule dans les tuyaux à l'intérieur du système. C'est normal.
- Bruit de l'eau qui coule: • Il s'agit du bruit normal de l'eau qui s'écoule dans le bac de vidange pendant le processus de dégivrage.
- Si l'appareil fonctionne bruyamment (bruit du compresseur) : Ceci est normal. Ce bruit indique que le compresseur fonctionne normalement. Lorsque le compresseur est mis sous tension, il peut fonctionner un peu plus bruyamment pendant une courte période.
- La contraction et l'expansion des parois intérieures peuvent provoquer des bruits de claquement et de craquements.

Problème : La porte du réfrigérateur ne s'ouvre pas.

Solution :

- Si la porte vient d'être ouverte, laissez-la pendant quelques minutes pour permettre à la pression d'air de s'égaliser avant de réessayer.

Problème : Le compresseur fonctionne en continu.

Solution :

- La température est réglée trop froide : sélectionnez un réglage plus bas (plus chaud).
- La porte est ouverte ou quelque chose empêche la fermeture correcte de la porte.
- Les joints de la porte sont usés, sales ou endommagés.
- De grandes quantités de nourriture ont été ajoutées au réfrigérateur.
- La température ambiante est plus chaude que d'habitude.

Problème : La surface externe du réfrigérateur est chaude.

Solution :

- Les murs extérieurs peuvent être plus chauds que la température ambiante. Ceci est normal pendant que le compresseur fonctionne pour transférer la chaleur de l'intérieur de l'armoire du réfrigérateur.

## S'ABSENTER ?

- Vacances courtes : laissez le réfrigérateur fonctionner pendant des vacances de moins d'un mois.
- Longues vacances : si vous ne comptez pas utiliser le réfrigérateur pendant de longues périodes, retirez tous les aliments et débranchez le câble d'alimentation. Nettoyez et séchez soigneusement l'intérieur. Pour éviter la formation d'odeurs et de moisissures, laissez la porte légèrement ouverte, en la bloquant si nécessaire. (Bloquez l'accès de la pièce aux enfants si le réfrigérateur reste ouvert, pour éviter de créer un risque pour les enfants.)

## DÉPLACER LE RÉFRIGÉRATEUR

- Débranchez le réfrigérateur et retirez tous les aliments de l'intérieur. Fixez solidement le tiroir et les étagères et scotchez la porte. Tournez les pieds de nivellement vers la base pour éviter tout dommage.
- ATTENTION : ne soulevez jamais le réfrigérateur par la porte.
- Protégez l'extérieur de l'appareil avec une couverture ou un matériau souple similaire et assurez-vous que le réfrigérateur reste bien en position verticale pendant le transport



## DISPOSITION

Ne jetez pas l'appareil avec les ordures ménagères normales. Jetez l'appareil dans une entreprise d'élimination des déchets agréée ou dans votre installation d'élimination des déchets commune. Respectez la réglementation en vigueur. En cas de doute, consultez votre installation d'élimination des déchets.

## GARANTIE

Très cher client,

Merci beaucoup d'avoir acheté un produit MOA.

Nous souhaitons vous informer que ce produit est couvert par une garantie conforme à toutes les dispositions légales concernant la garantie et les droits des consommateurs existants dans le pays où le produit a été acheté.

Si vous constatez un défaut ou un dysfonctionnement de votre produit MOA, veuillez contacter le centre de service clientèle approprié.

Cordialement,  
L'équipe MOA