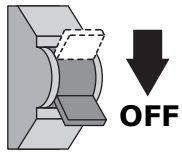


1

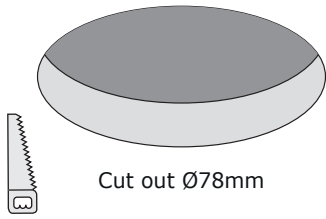


# Installation Manual

Milano (square) and Bolzano (round)

# UPHIX®

2

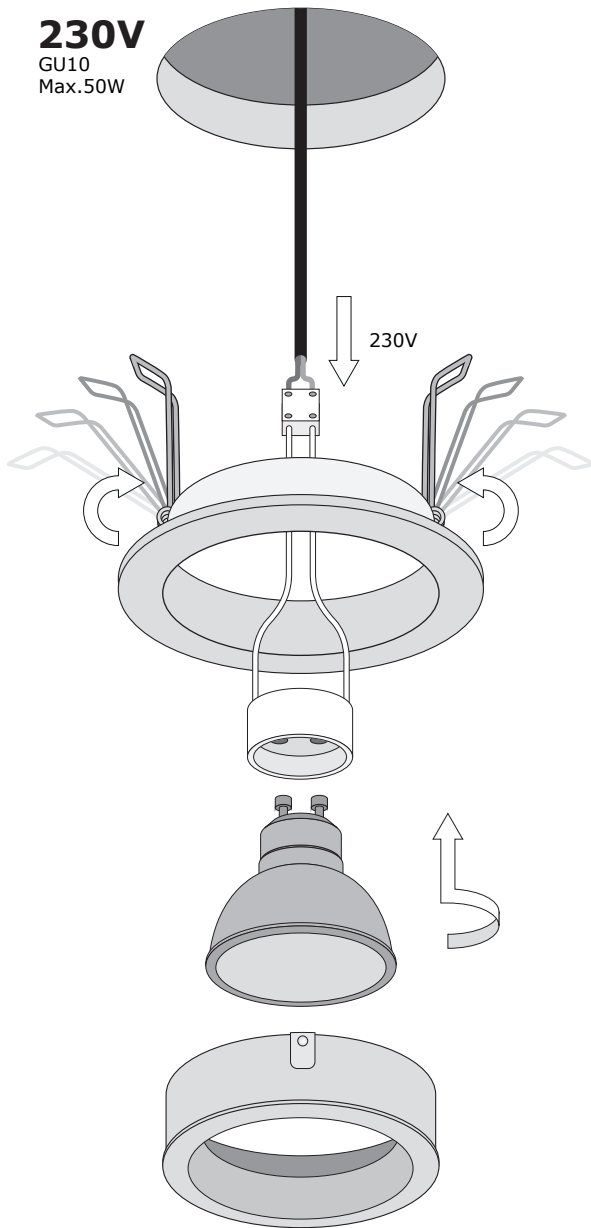


|                 |           |
|-----------------|-----------|
| 50114302 Milano | aluminium |
| 50114322 Milano | white     |
| 50114342 Milano | gold      |
| 50114362 Milano | black     |
| 50114364 Milano | black     |

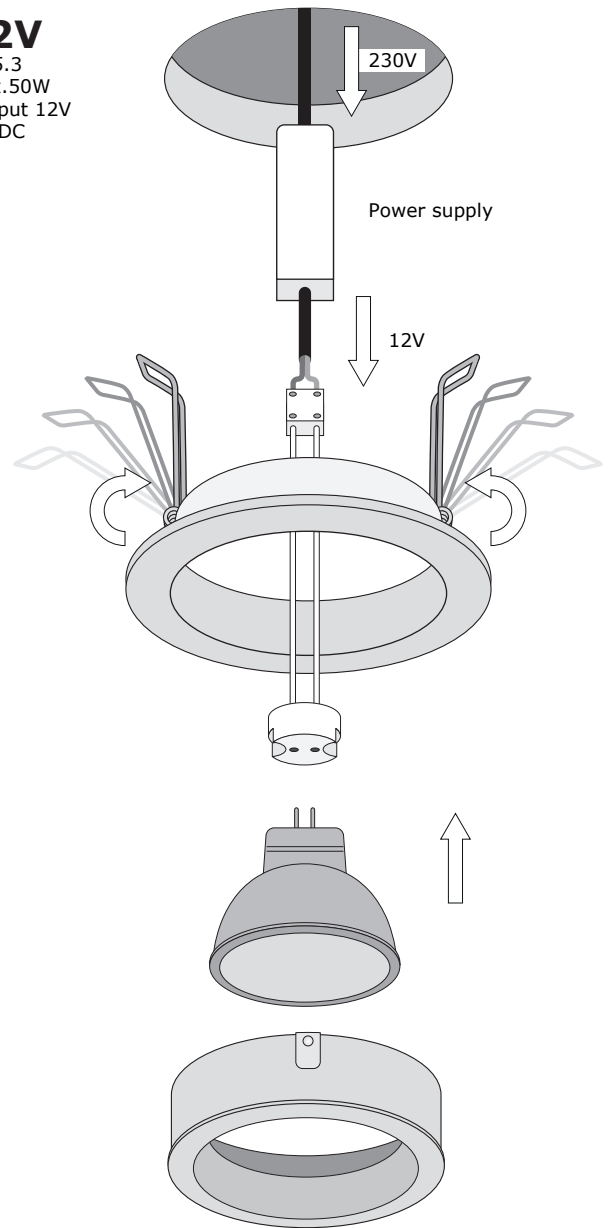
|                  |           |
|------------------|-----------|
| 50114403 Bolzano | aluminium |
| 50114423 Bolzano | white     |
| 50114463 Bolzano | black     |

3

**230V**  
GU10  
Max.50W



**12V**  
GU5.3  
Max.50W  
Output 12V  
AC/DC



4

