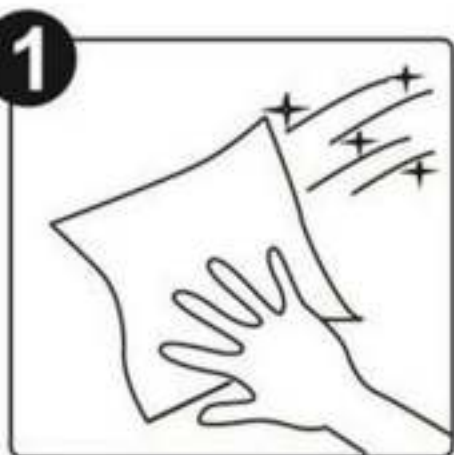
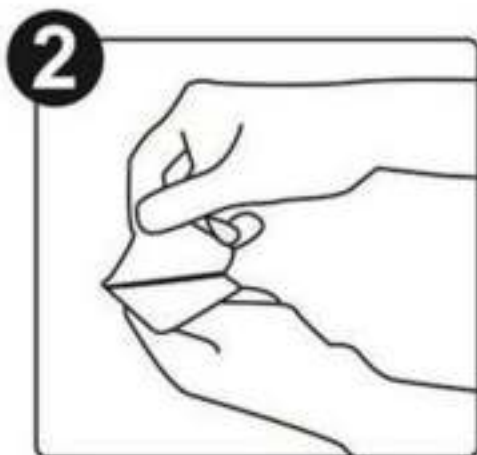


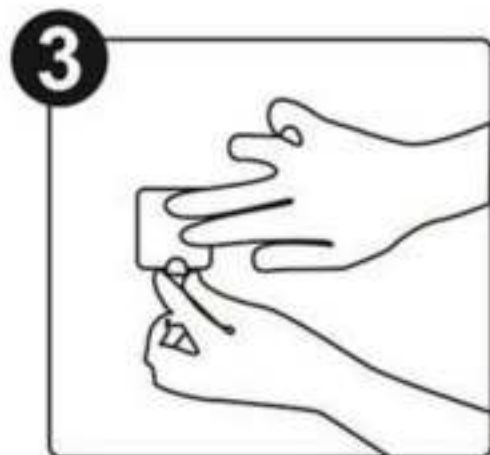
INSTALLATION STEPS



1 Clean the wall and keep the wall dry.



2 Tear down the protective film.

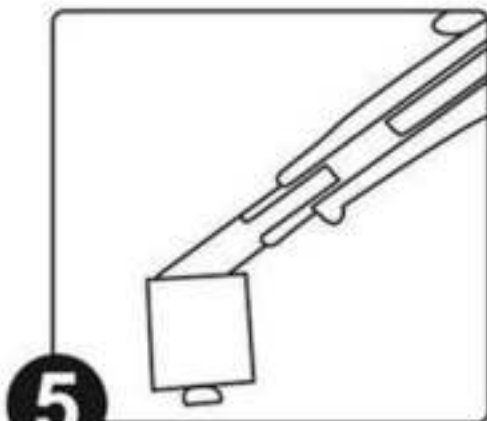


3 Press the wall for 10 seconds and use it at 24 hours.

DISASSEMBLY STEP



4 Heat the viscose with a blower.



5 Use an art knife to cut back the back of the viscose.



6 The adhesive can be removed by alcohol.