

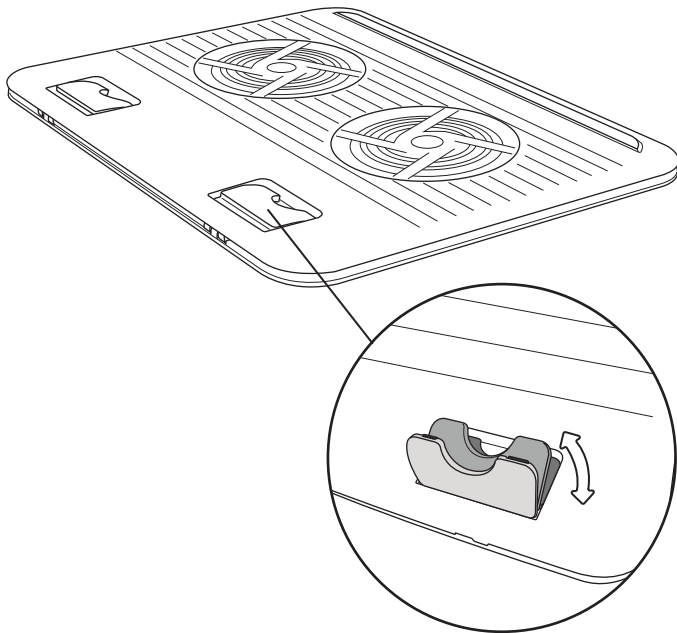


## Quick Installation Guide

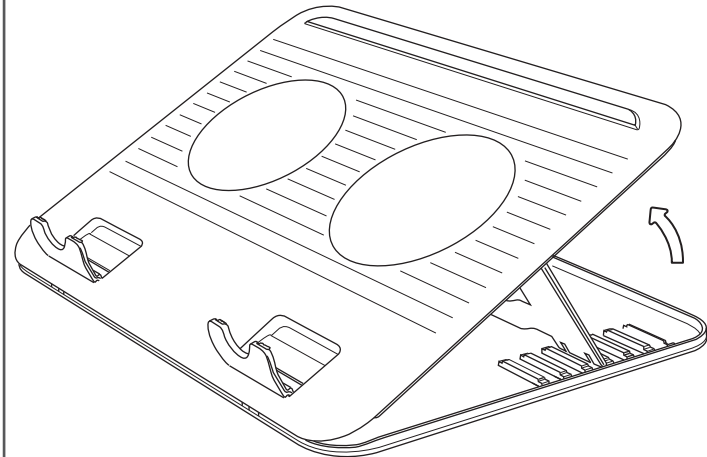
Cooling stand

17866

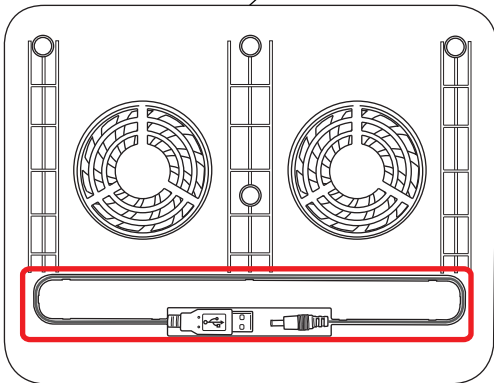
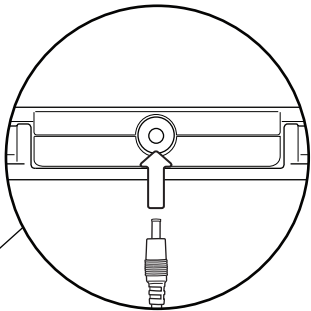
1



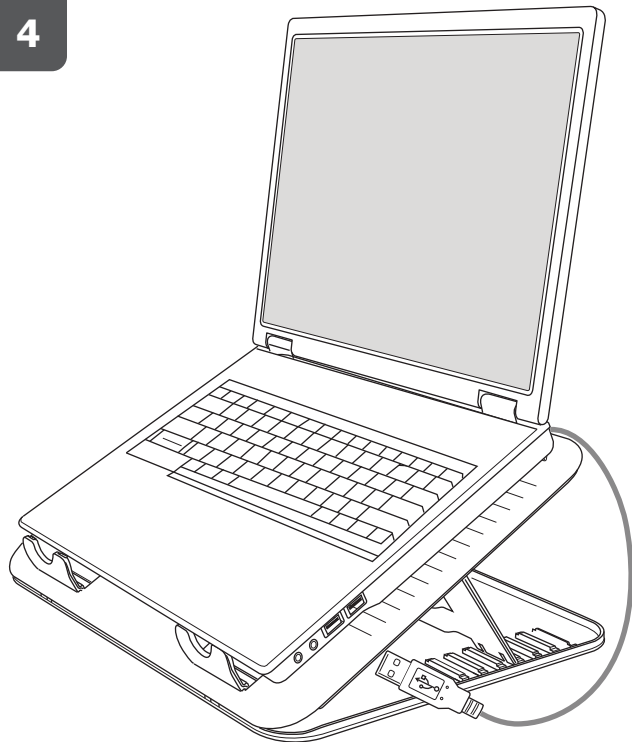
2



3



4



?

**FAQ** → [trust.com/17866/faq](https://trust.com/17866/faq)