

Portable Oral Irrigator



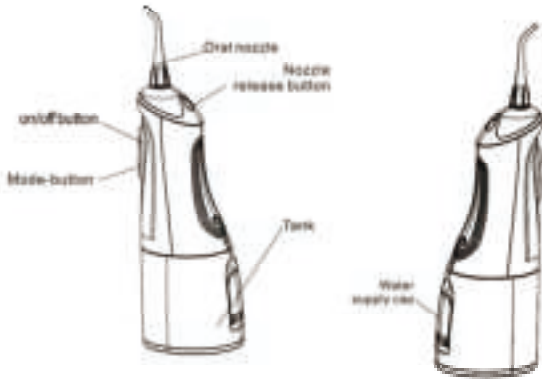
Instructions

Users must read the instructions carefully before using this product.

Contents

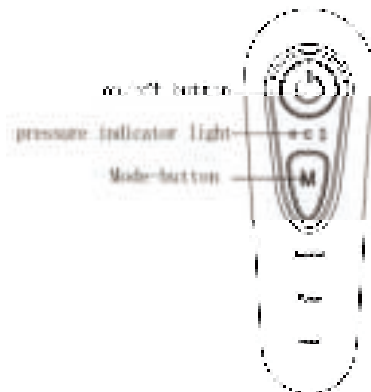
1.Product Description.....	3
2.Specifications.....	4
3. How to use	5
1) Working modes selection.....	5
2) How to inserting and removing nozzle.....	5
3) How to Filling Water Tank	6
4) How to charge the battery.....	7
4. After use.....	8
5. Important safeguards.....	9
6. Warning.....	9
7. Care and Cleaning.....	11
8. Trouble shooting guide.....	12
9. Guarantee and Service.....	13

1. Product Description



Note: There may be some liquid remaining inside the main appliance before use .This is the remaining distilled water that was used for the performance water flow test ,there are no health concerns.

2.Specifications



Item No.	FL-V29			
Product name	Cordless Oral Irrigator			
Power consumption	7W			
Capacity of water tank	320ml			
Waterproof	IPX7			
Battery	1700mAh			
Net weight	267g			
Modes	Normal	Pulse	Point	
PSI	Soft	30	30-60	30
	Medium	70	50-80	70
	Strong	115	70-115	115

3.How to use

1) Working modes selection

1.1 Long press the "M" key to automatically switch the working mode.

1.2. Press the "M" button to select the pressure strength . In each working mode, you can press the "M" key shortly to select the water pressure of "soft", "medium" and " strong"

Modes		Normal	Pulse	Point
PSI	Soft	30	30-60	30
	Medium	70	50-80	70
	Strong	115	70-115	115

Normal: Used to clean the mouth normally

Pulse: Used for gum cleaning and massage

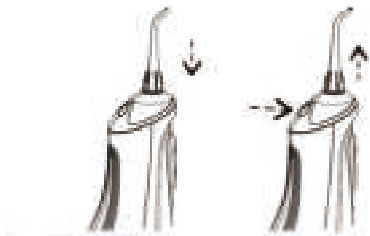
Point :For precise clean between teeth

2) How to inserting and removing nozzle

2.1. Install the nozzle into the nozzle insertion hole.

2.2. Insert the nozzle firmly.

2.3. To remove the nozzle, press the nozzle release button and then pull out the nozzle.

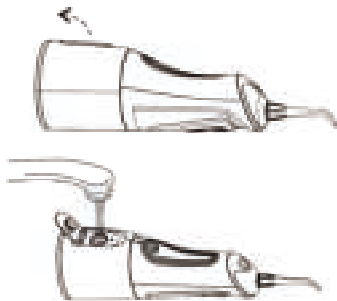


3) How to Filling Water Tank

3.1.Open the water tank cover first

3.2.Fill the water tank with water.

Note: Before filling the water tank and using it, unplug the charger power cord from the device.

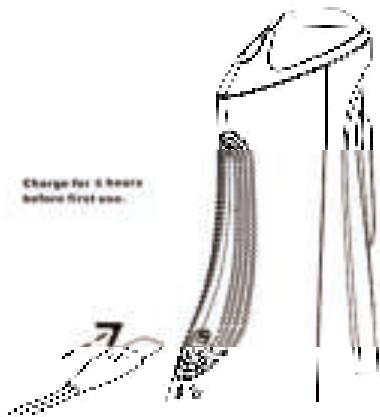


4) How to charge the battery

4.1. Charge the product before using it for the first time. It takes 6 hours to fully charge in.

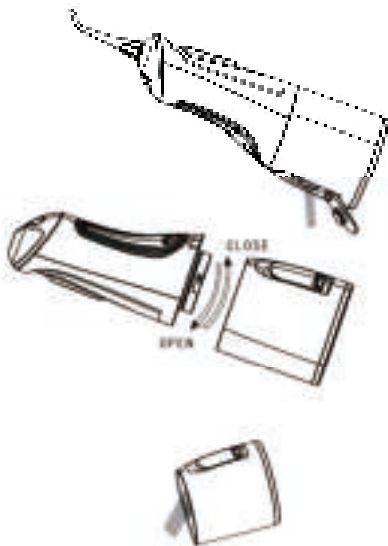
4.2. When charging, the "Point" light flashes blue slowly; When full charged ,the "Point" light will keeps blue.

Note: This product does not include the adapter. You can choose a DC 5V charger or a USB direct charger(such as a mobile phone or a computer adapter)



4. After using

In order to avoid the bacteria that may breed if not used for a long time, please clean the water tank thoroughly after use, pour out the remaining liquid in the water tank, and then turn on the device to work for 2-5 seconds to drain the water inside the water flosser.



5.Important safe guards

Read this manual carefully before you use the appliance and keep it for future reference.

DANGER:

To reduce the risk of electrical shock:

- Keep the power outlet and charger away from water.
- Do not handle charger with wet hands.
- Do not immerse into water or other liquids.
- Check the charger cord ,make sure it is not damaged before and during use .
- Do not use while bathing.

Do not place or store product over or near water contained vessels like bathtub, washbasin, etc.

Make sure that the charger is complete dry before connecting to the main power supply.

6.Warning

If you have had oral or dental surgery in the previous 2 months, consult your dentist before using this appliance.

- Do not plug this device into a voltage system that is different from the voltage system specified on the device or charger.
- Keep wires away from hot surfaces.

- Do not use if you find the cord or charger is damaged ,broken wet in liquid or not work .
- This product do not suitable for persons lack of physical ability, perception, mental ability and persons lack of experience or knowledge like children.
- Do not pour water that use for clean teeth into tongue, ear, nose or other sensitive body parts. The water pressure may cause serious injury .
- Do not fill the tank with any water warmer than 40°C (104°F).
- keep away from children for playing
- Fill in with water or other dentist recommended liquid solution only (i.e. mouthwash or prescribed solutions). Some antibacterial solutions could do damage to the product.
- Persons who have had dental inflammation or gum pain may not be suitable ,please consult dentist before using
- Do not press the nozzle too firmly against your teeth or gums. It may hurt your gums.

7. Care and Cleaning

Never immerse the unit into water. Wipe the exterior when necessary with a soft cloth and mild non-abrasive cleanser. Tank may be washed with soapy water or in top rack of dishwasher.

- Before cleaning, unplug from the electrical outlet.
- Before exposing the appliance into freezing temperatures, remove the tank and run out of water.

7.1. Nozzle

- Remove it while pressing the nozzle release button. Wash with water and wipe with a dry cloth.
- We suggest replace the nozzle each 6 months ,otherwise, the diameter of the nozzle could be enlarged ,causing malfunction .

7.2. Water suction tube

- Wash with water and wipe with a dry cloth.
- Do not bend the water suction tube , otherwise , it could stop sucking and other malfunction during operation .

7.3. Water tank

- Wash with water and wipe with a cloth.
- Wash the dirt off from inside using a brush or similar, and wipe off with a cloth.

- Dry the tank when not using for a long period.

7.4. Charging adaptor

- Wipe the metal part of the power plug with a dry cloth each 6 months.

8. Trouble shooting guide

Q1: Leakage between the nozzle and the nozzle socket port.

A1: if nozzle is not fully engaged , Remove the nozzle and re-install

Q2: Water tank leaks

A2:1. Liquid was left in the tank.

2. Water supply cap is open or not closed correctly.

Q3:Inadequate pressure/No fluid flow.

A3: 1 .Unit is upside down. Nozzle must be higher than the tank for correct water flow.

2.Not enough liquid in the tank. Please fill full of water.

Q4: The appliance does not charge.

A4: 1. Main power socket is not alive. Turn ON the main power socket.

2. The appliance is Working during charging, Close the machine and charging again.

Q5: The appliance is not working.

A5: 1. Battery not charged. Be sure the power socket is functioning;

2. Water supply cap is open or not closed correctly.

9. Warranty and After-sale service

The warranty of the device is 12 months from the date of purchase. The battery, package and any damage caused by improper use are not covered by the warranty.

* Please keep your receipt as proof of date of sale.

* Contact the nearest distributor for assistance.