

METERS

# METERS GAMING



LEVEL UP!  
USER MANUAL

# METERS

## THANK YOU

Thank you for purchasing your set of Meters Headphones and welcome to the family! We really think you've made the right choice and know that these headphones will give you years of great tone and service.

It is a machine though and needs to be looked after, please read through this user manual which will help you get the most out of your new headphones and keep them running as long as some of our happiest and very famous customers.

## REGISTER ONLINE

Please register this product online so we can make sure we give you years of customer support through our friendly in-house service centre.

Here is where you need to visit to register your product:

**<https://metersmusic.com/pages/register>**

## **METERS LEVEL UP!**

**Designed & Engineered in the UK Meters NEW flagship Gaming Headset is designed for gamers who desire the highest quality soundscapes and an advantage over their rivals. Designed to be used via USB for all PC's, Laptops and PS4 (no driver required) for zero latency. Our fully immersive custom designed Virtual 7.1 surround sound can be installed by an easy driver download via the Meters website.**

**As with all Meters Products our patented VU (volume unit) meter registers the output of the audio from source, giving a real time indication of audio levels for bystanders and streamers it's a great point of reference. The meter itself is RGB adjustable and can be set to your favorite colour.**

**A detachable high-performance microphone (ELECTRET CONDENSER) enables crisp and clear communication when in game play. Custom designed 50mm drivers produce full deep sounds capable of reproducing both the highest and lowest frequencies to bring games to life with detail and dynamics that others may lack.**

**Comfortable, durable and lightweight for hours of effortless game playing weighing in at just 320g with a 2.2m braided cable.**

**Plug in and LEVEL UP! With METERS GAMING Headsets!**

**[WWW.METERSMUSIC.COM](http://WWW.METERSMUSIC.COM)**

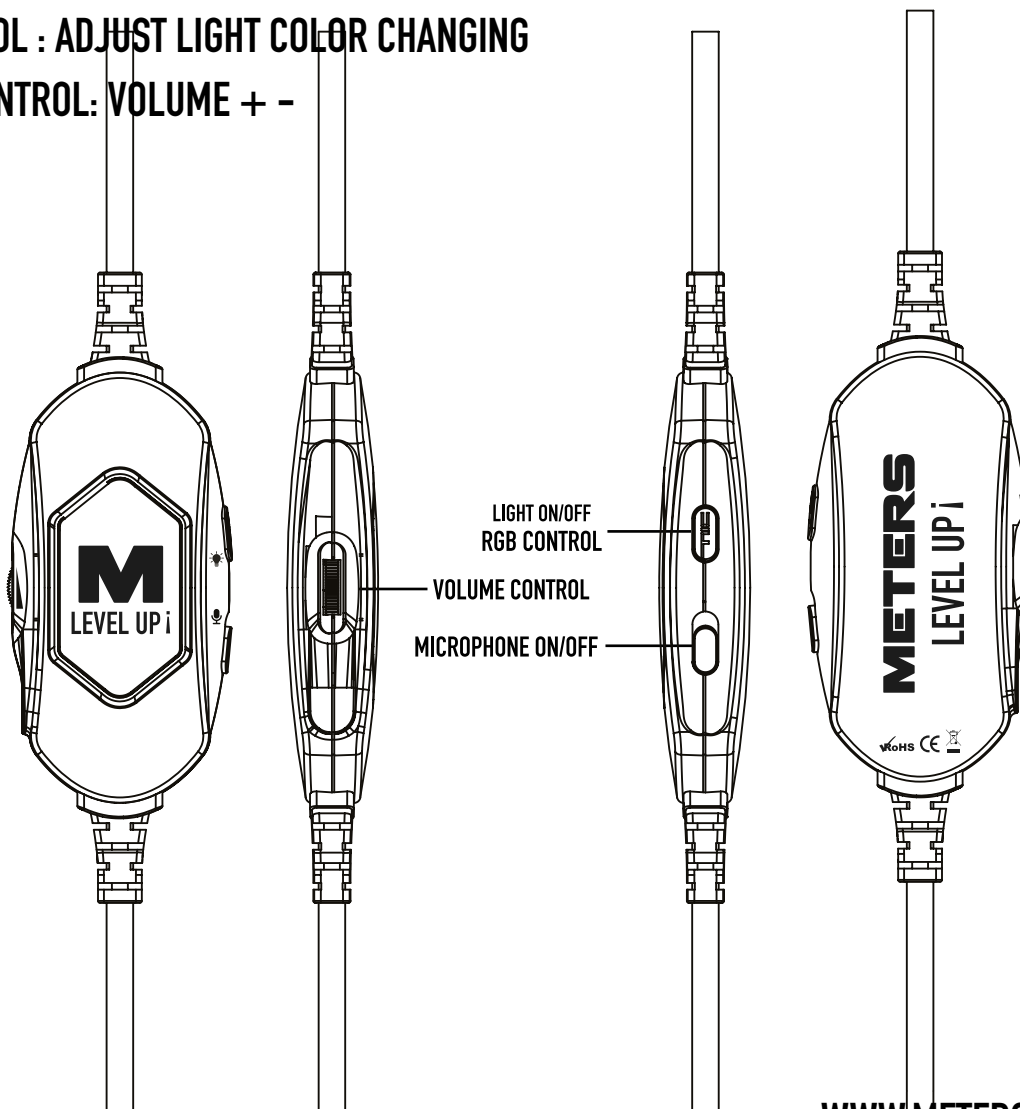
# METERS LEVEL UP! - USER GUIDE

## REMOTE FUNCTIONS:

**MICROPHONE SWITCH: ON/OFF**

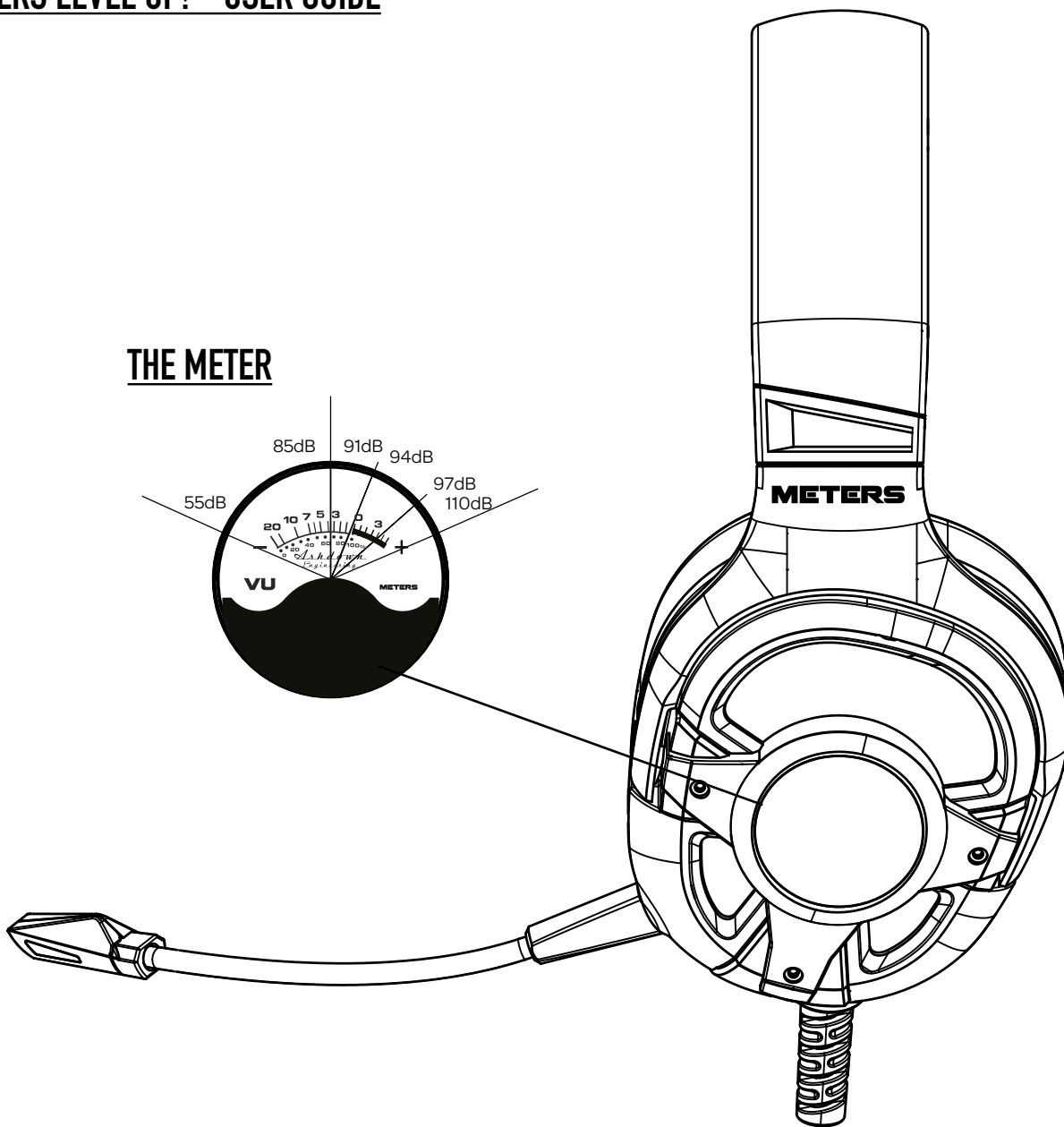
**RGB CONTROL : ADJUST LIGHT COLOR CHANGING**

**VOLUME CONTROL: VOLUME + -**



# METERS LEVEL UP! - USER GUIDE

## THE METER



## METERS LEVEL UP! - USER GUIDE

### MICROPHONE SPECIFICATION:

MODEL : ELECTRET CONDENSER MICROPHONE

SENSITIVITY:  $-42\pm 3\text{DB}$

SIZE:  $\Phi 4.0*1.3$

S/N RATIO: 58DB

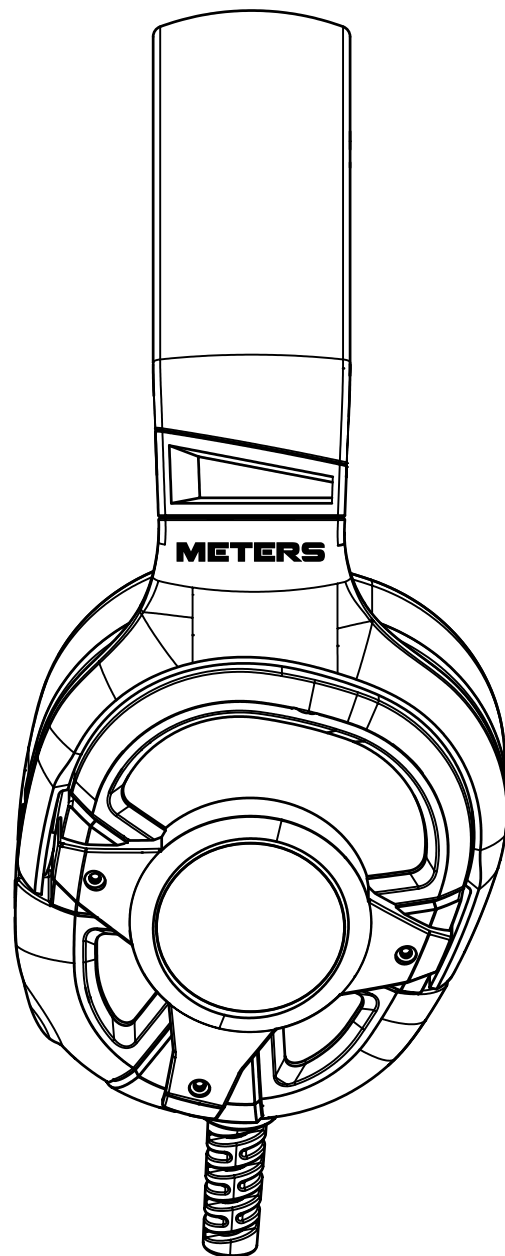
DIRECTIVITY: OMNI DIRECTIONAL

IMPEDANCE:  $\leq 2.2\text{K}\Omega$

OPERATING VOLTAGE: 1~6V



REMOVABLE



[WWW.METERSMUSIC.COM](http://WWW.METERSMUSIC.COM)

## METERS LEVEL UP! - USER GUIDE

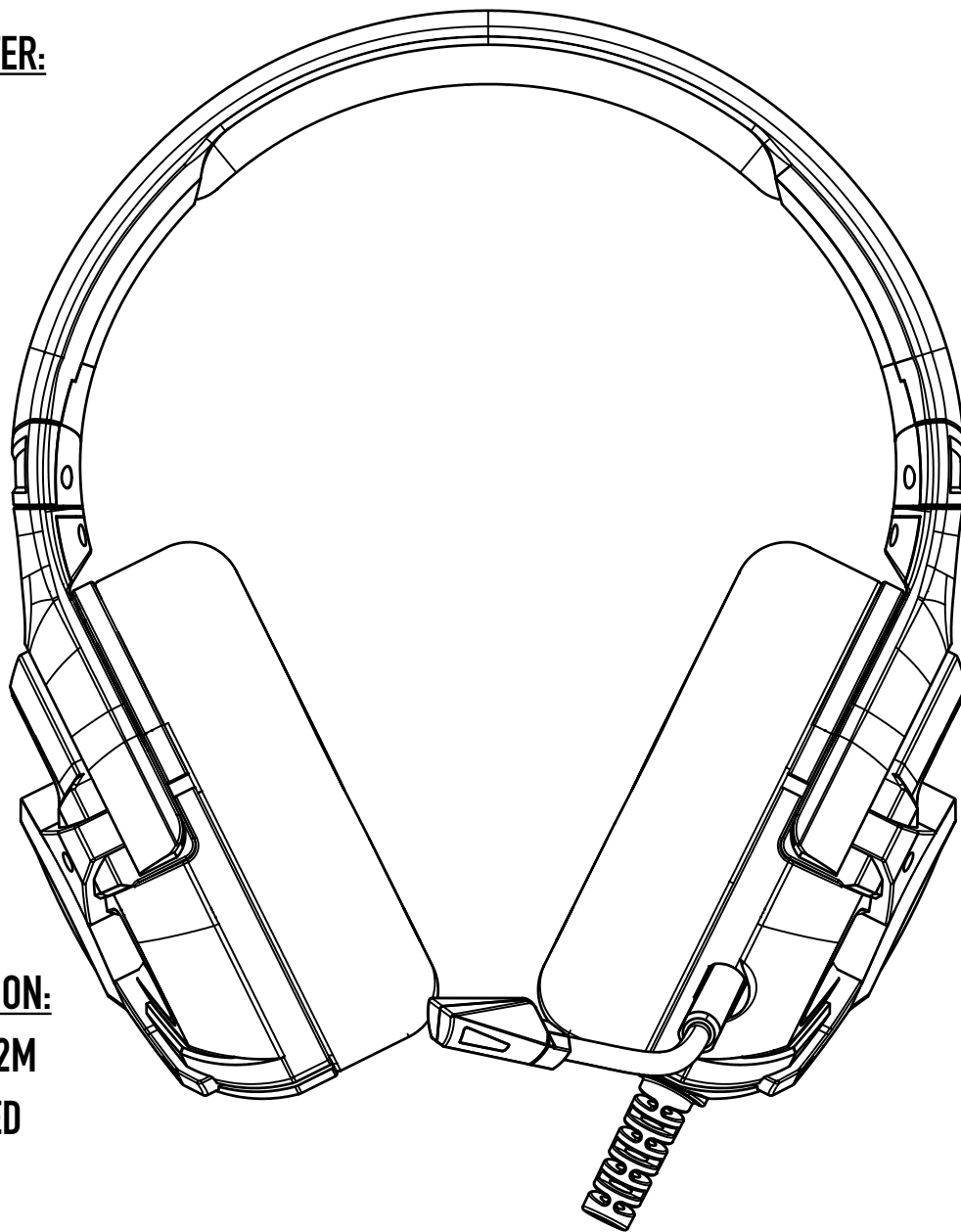
### HEADSET PARAMETER:

LENGTH : 205MM

WIDTH : 95MM

HEIGHT : 210MM

NW : 320G



### CABLE SPECIFICATION:

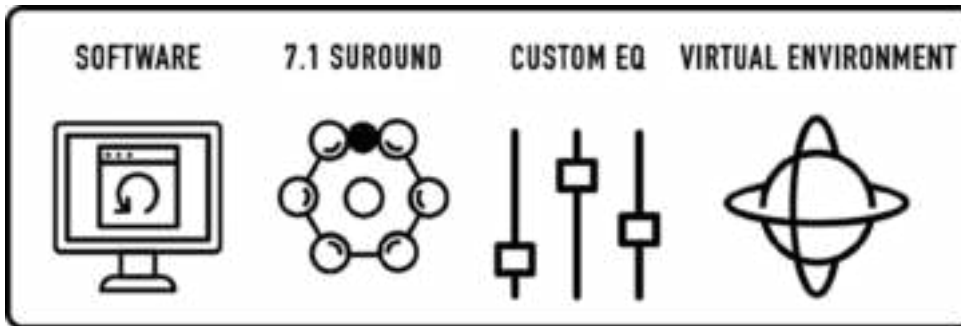
CABLE LENGTH: 2.2M

MATERIAL: BRAIDED

[WWW.METERSMUSIC.COM](http://WWW.METERSMUSIC.COM)

# LEVEL-UP! 7.1

## VIRTUAL ENVIRONMENT



Download and install the 7.1 driver to benefit from the incredible surround sound features included in our virtual environment.

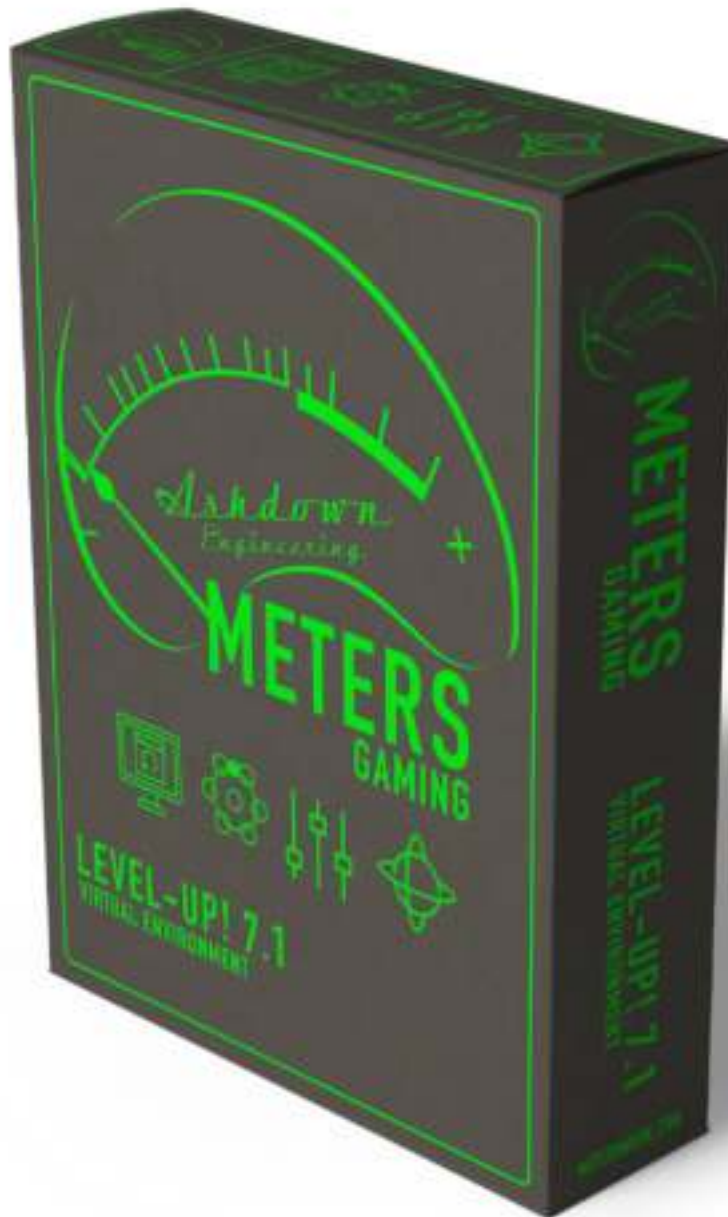
Click on the link below available for Windows machines. Simply install and plug and play.

[HERE -](#)

<https://irp-cdn.multiscreensite.com/27e42087/files/uploaded/Meters%20Gaming%20Headset%20-%20Level%20Up%21-5.18.zip>



# METERS LEVEL UP! - USER GUIDE



# METERS LEVEL UP! – USER GUIDE

## ENGLISH:

TECHNICAL SPECIFICATIONS<sup>\*</sup> :  
CHIP SET: CM108B  
SOUND CHANNEL: VIRTUAL 7.1  
OPERATING VOLTAGE: 5V  
TRANSMISSION: USB2.0  
OPERATING TEMPERATURE: -150 TO +700  
SPEAKER SIZE: 50MM  
SENSITIVITY: 108±3DB  
RATED POWER: 20MW  
IMPEDANCE: 32Ω±15%  
MAX POWER: 30MW  
FREQUENCY: 20~20KHZ

\*Subject to change without notice

## DEUTSCHE:

TECHNISCHE DATEN\*  
CHIPSATZ: CM108B  
TONKANAL: VIRTUELL 7.1  
BETRIEBSSPANNUNG: 5 V  
ÜBERTRAGUNG: USB 2.0  
BETRIEBSTEMPERATUR: -15 °C BIS +70 °C  
LAUTSPRECHERGRÖSSE: 50 mm  
EMPFINDLICHKEIT: 108 ±3 DB  
NENNLEISTUNG: 20 mW  
IMPEDANZ: 32 ±15 %  
HÖCHSTLEISTUNG: 30 mW  
FREQUENZBEREICH: 20 Hz – 20 kHz

\*Änderungen vorbehalten

## FRANÇAIS:

SPÉCIFICIFICATIONS TECHNIQUES\*  
JEU DE PUCES : CM108B  
CANAL AUDIO : 7.1 VIRTUEL  
TENSION DE SERVICE : 5 V  
TRANSMISSION : USB 2.0  
TEMPÉRATURE DE SERVICE : -15°C À +70°C  
TAILLE DE HAUT-PARLEUR : 50 MM  
SENSIBILITÉ : 108 ±3 DB  
PUISSANCE NOMINALE : 20 MW  
IMPÉDANCE : 32 ±15 %  
PUISSANCE MAX. : 30 MW  
FRÉQUENCE : 20 Hz ~20 kHz

\*Sujet à changement sans préavis

## РУССКИЙ:

ТЕХНИЧЕСКИЕ ХАРАКТЕРИСТИКИ\*  
НАБОР МИКРОСХЕМ: CM108B  
ЗВУКОВОЙ КАНАЛ: ВИРТУАЛЬНЫЙ 7.1  
РАБОЧЕЕ НАПРЯЖЕНИЕ: 5 В  
ИНТЕРФЕЙС ПЕРЕДАЧИ ДАННЫХ: USB 2.0  
ТЕМПЕРАТУРА ЭКСПЛУАТАЦИИ: от -15°C ДО +70°C  
РАЗМЕР ДИНАМИКА: 50 ММ  
ЧУВСТВИТЕЛЬНОСТЬ: 108±3 ДБ  
НОМИНАЛЬНАЯ МОЩНОСТЬ: 20 МВт  
СОПРОТИВЛЕНИЕ: 32±15 %  
МАКСИМАЛЬНАЯ МОЩНОСТЬ: 30 МВт  
ЧАСТОТА: 20 Гц~20 кГц

\*Могут быть изменены без уведомления

## METERS LEVEL UP! – USER GUIDE

### ITALIANO:

SPECIFICHE TECNICHE\*

SET CHIP: CM108B

CANALE SONORO: VIRTUALE 7.1

TENSIONE DI ESERCIZIO: 5 V

TRASMISSIONE: USB 2.0

TEMPERATURA DI ESERCIZIO: DA -15°C A +70°C

DIMENSIONE ALTOPARLANTE: 50 MM

SENSIBILITÀ: 108±3 DB

POTENZA NOMINALE: 20 MW

IMPEDENZA: 32±15%

POTENZA MAX: 30 MW

FREQUENZA: 20 Hz~20 kHz

\*Soggetto a modifiche senza preavviso

### 中文:

技术规范\*

芯片组: CM108B

声道: VIRTUAL 7.1

工作电压: 5 V

传输: USB 2.0

工作温度: -15° C 至 +70° C

扬声器尺寸: 50 MM

灵敏度: 108±3 DB

额定功率: 20 MW

阻抗: 32±15%

最大功率: 30 MW

频率: 20 Hz~20 kHz

\*如有更改, 恕不另行通知。

### ESPAÑOL:

ESPECIFICACIONES TÉCNICAS\*

CHIPSET: CM108B

CANAL DE SONIDO: VIRTUAL 7.1

TENSIÓN OPERATIVA: 5 V

TRANSMISIÓN: USB 2.0

TEMPERATURA OPERATIVA: DE -15°C A +70°C

TAMAÑO DE ALTAVOZ: 50 MM

SENSIBILIDAD: 108 ±3 DB

POTENCIA NOMINAL: 20 MW

IMPEDANCIA: 32 ±15 %

POTENCIA MÁXIMA: 30 MW

FRECUENCIA: 20 Hz~20 kHz

\*Sujeto a cambio sin previo aviso

### 日本語:

技術仕様\*

チップセット: CM108B

サウンドチャンネル: バーチャル 7.1

動作電圧: 5 V

転送: USB 2.0

動作温度: -15°C~+70°C

スピーカーサイズ: 50 MM

感度: 108±3 DB

定格電力: 20 MW

インピーダンス: 32±15%

最大出力: 30 MW

周波数: 20 HZ~20 KHZ

\*予告なく変更される場合があります



[WWW.METERSMUSIC.COM](http://WWW.METERSMUSIC.COM)