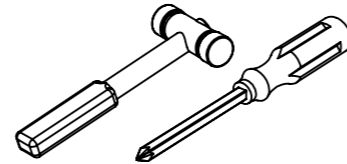
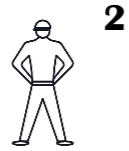







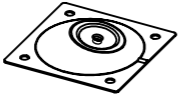



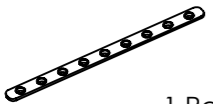

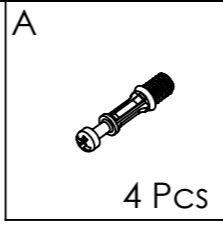
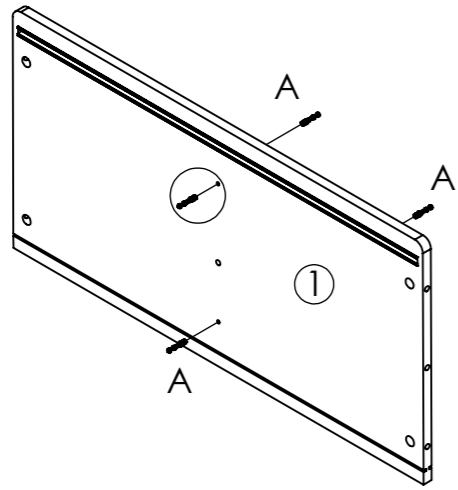


30 min

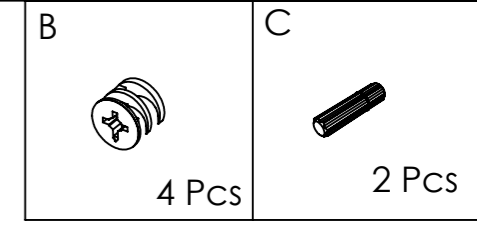
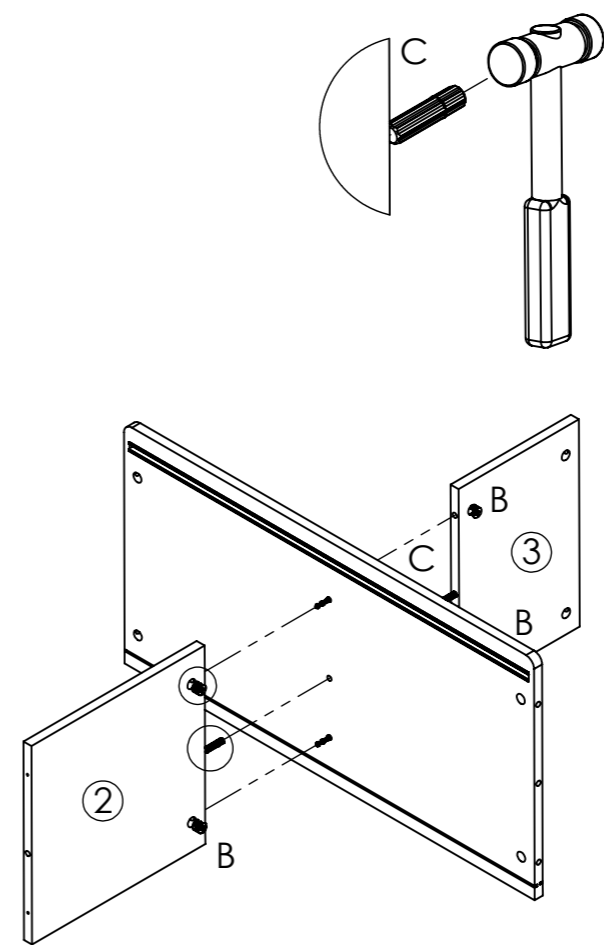


A  14 Pcs	B  14 Pcs	C  10 Pcs	D  16 Pcs	E  Ø 4 x 15 MM 16 Pcs
F  8 Pcs	G  Ø 8 x 50 MM 6 Pcs	H  4 Pcs	I  8 Pcs	J  Ø 5 x 19 MM 8 Pcs
K  10 Pcs	L  1 Pcs	M  Ø 5 x 16 MM 1 Pcs		

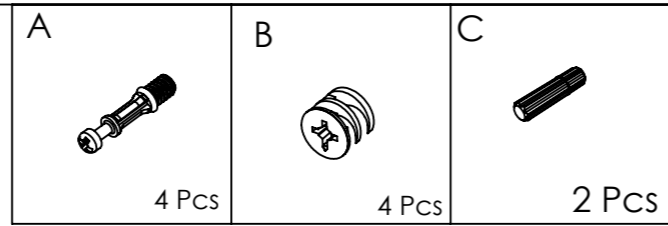
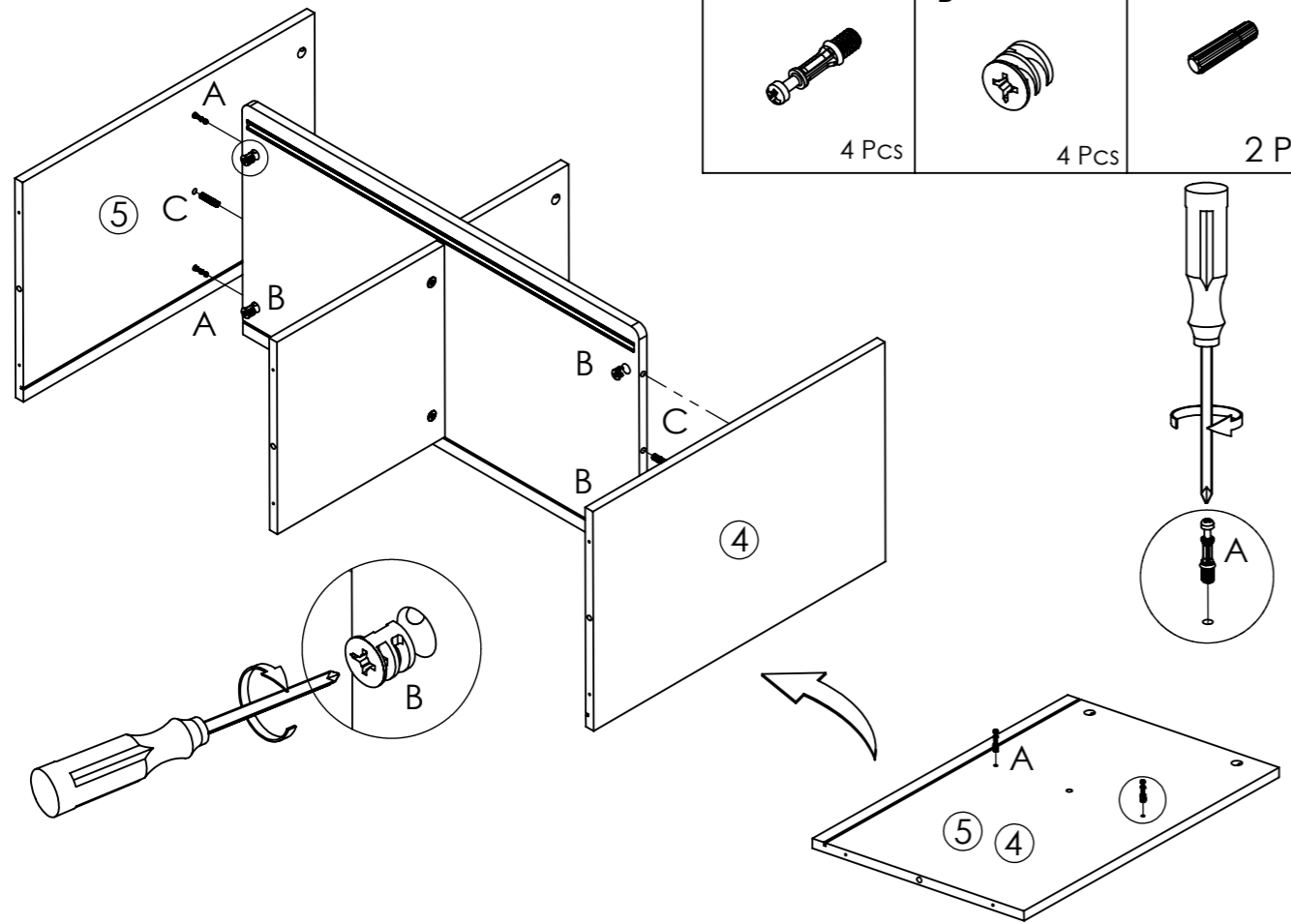
①



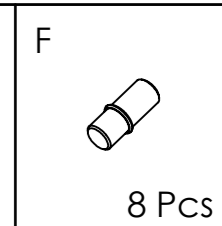
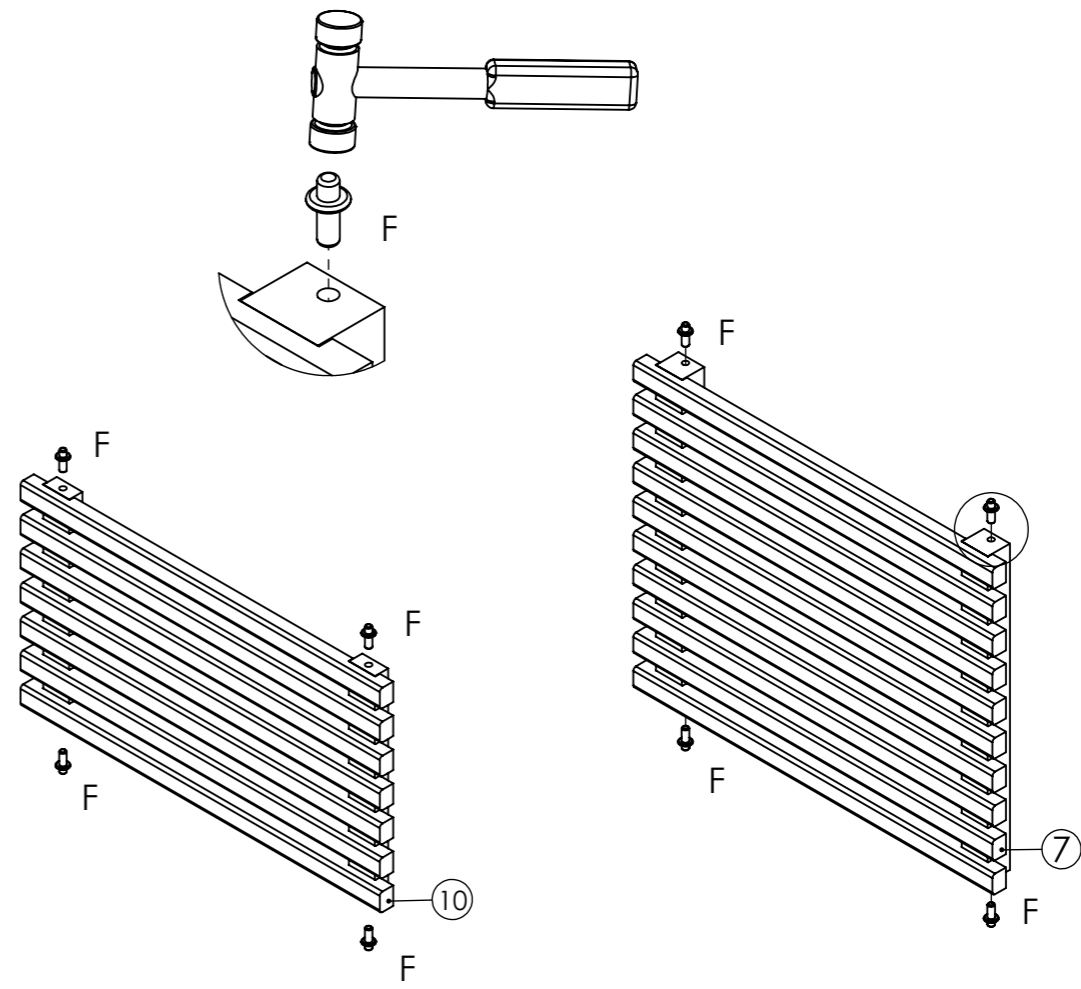
②

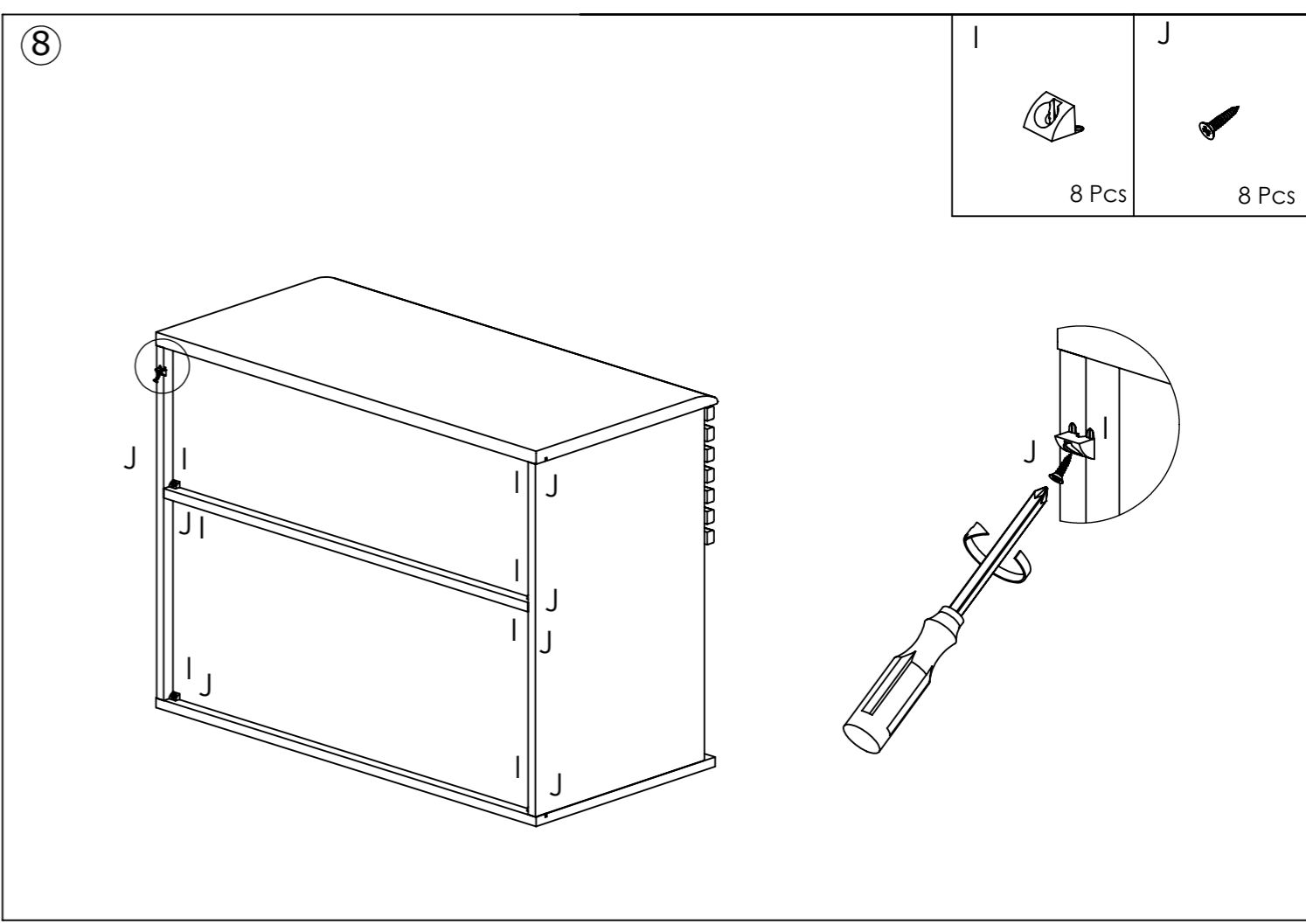
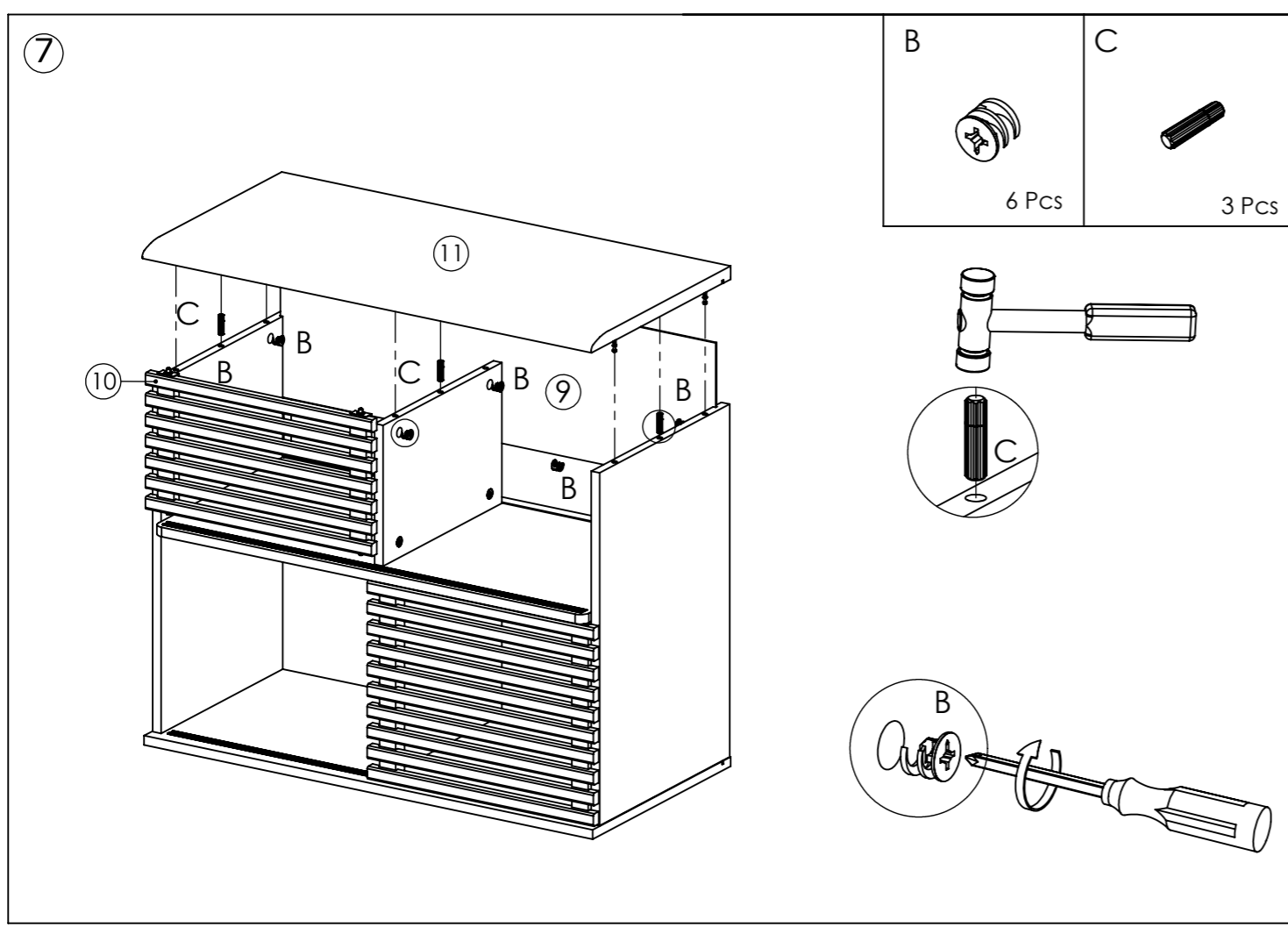
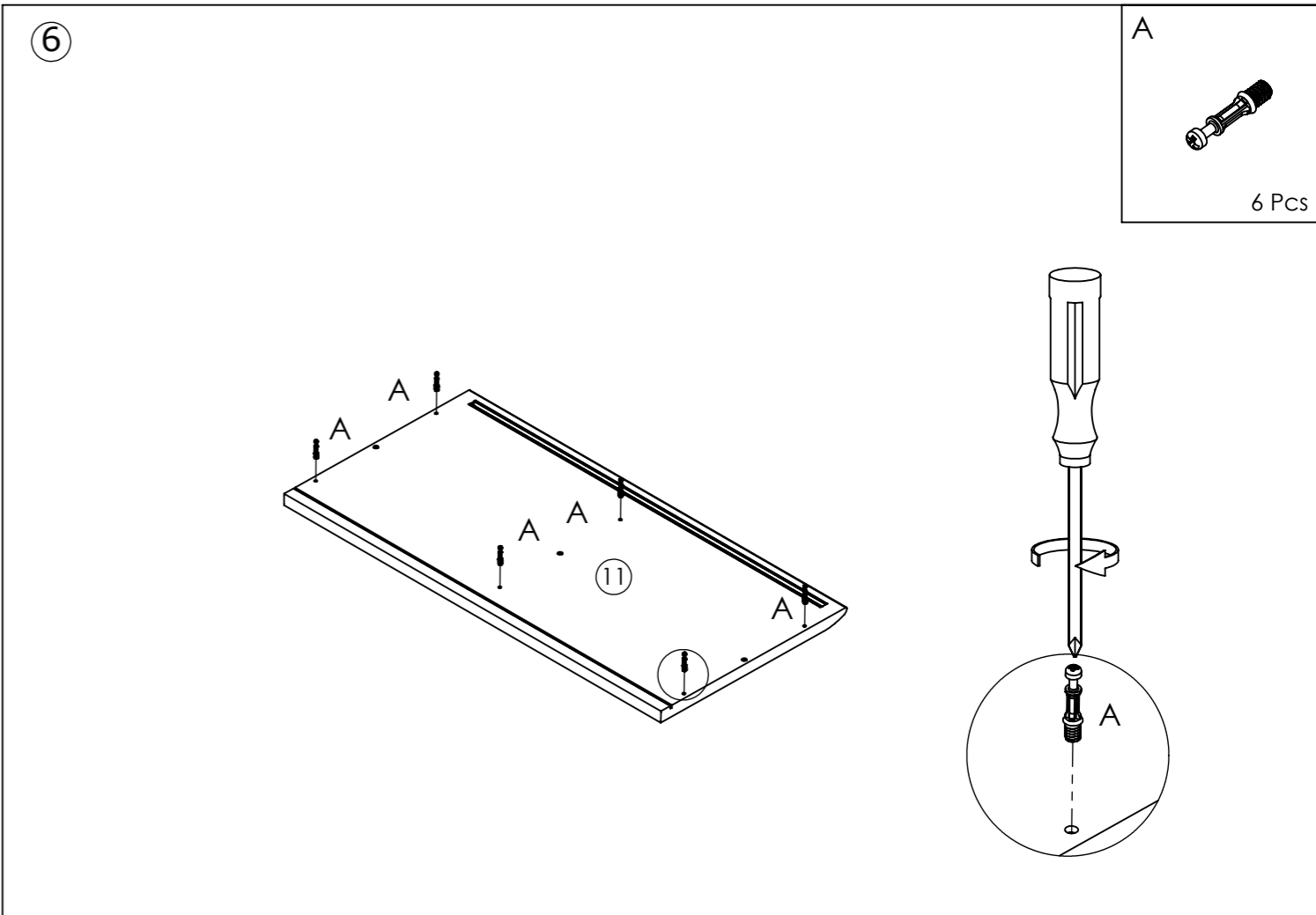
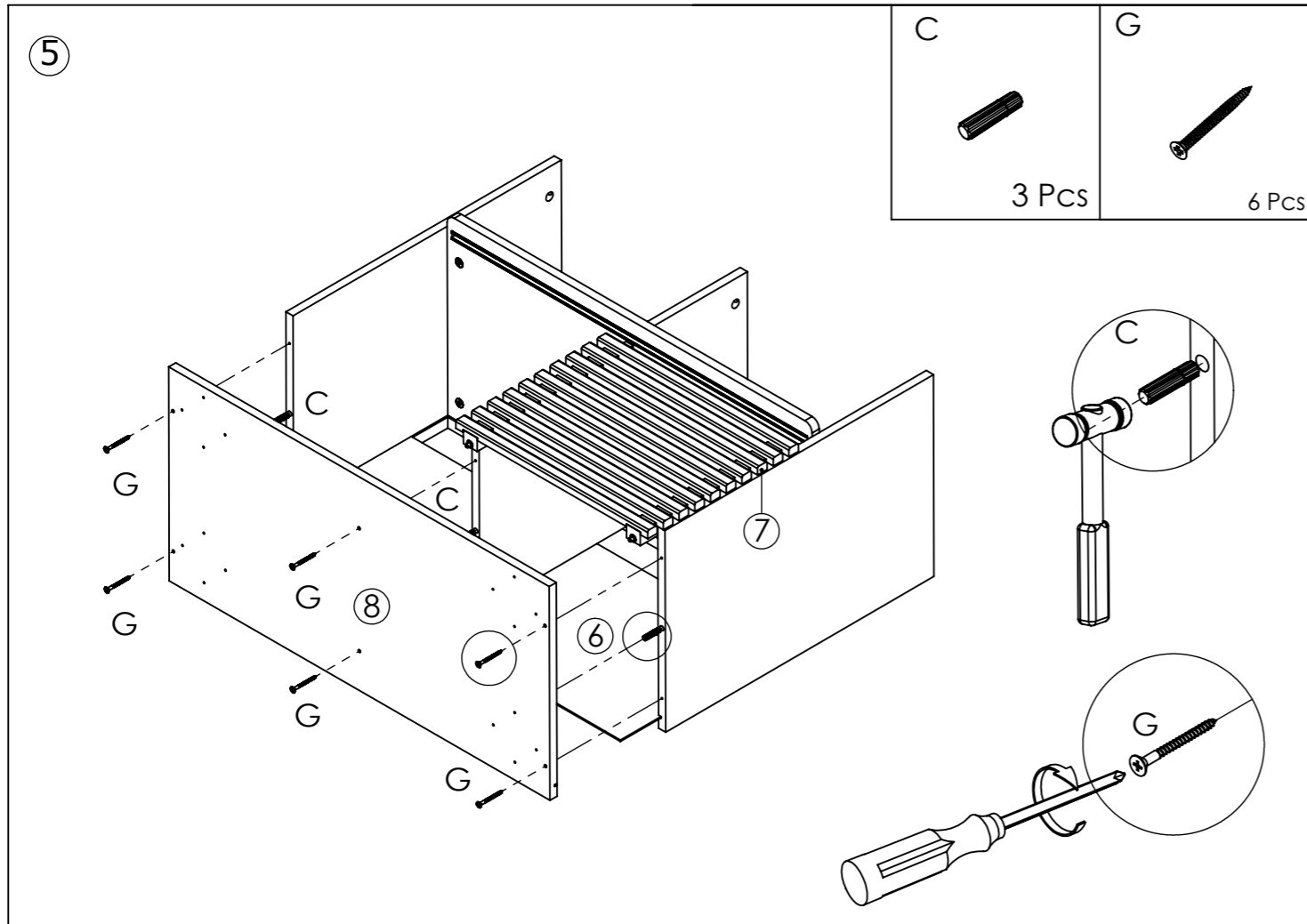


③

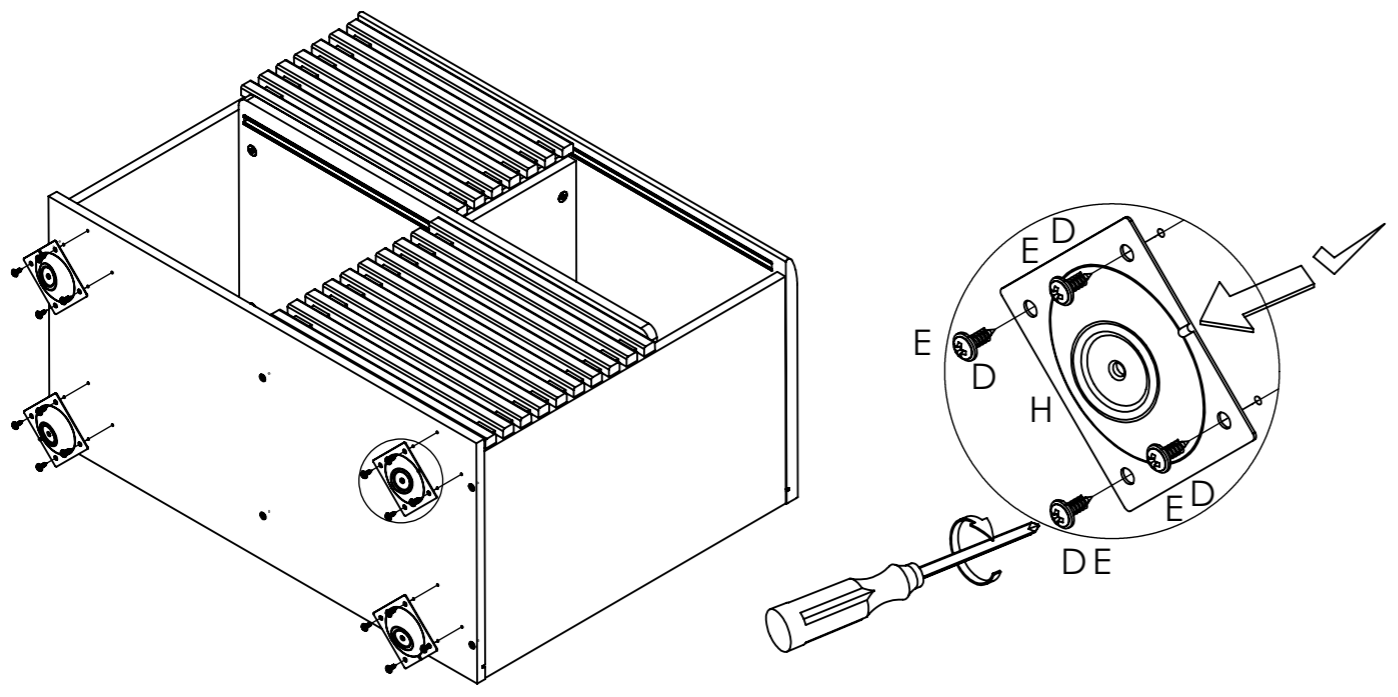
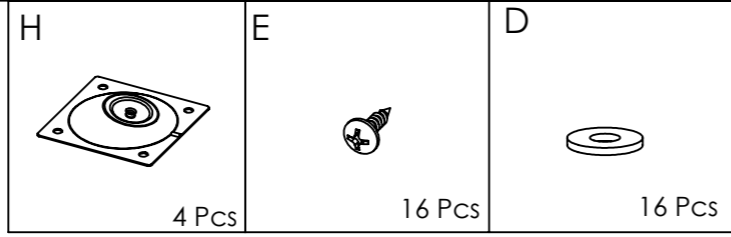


④

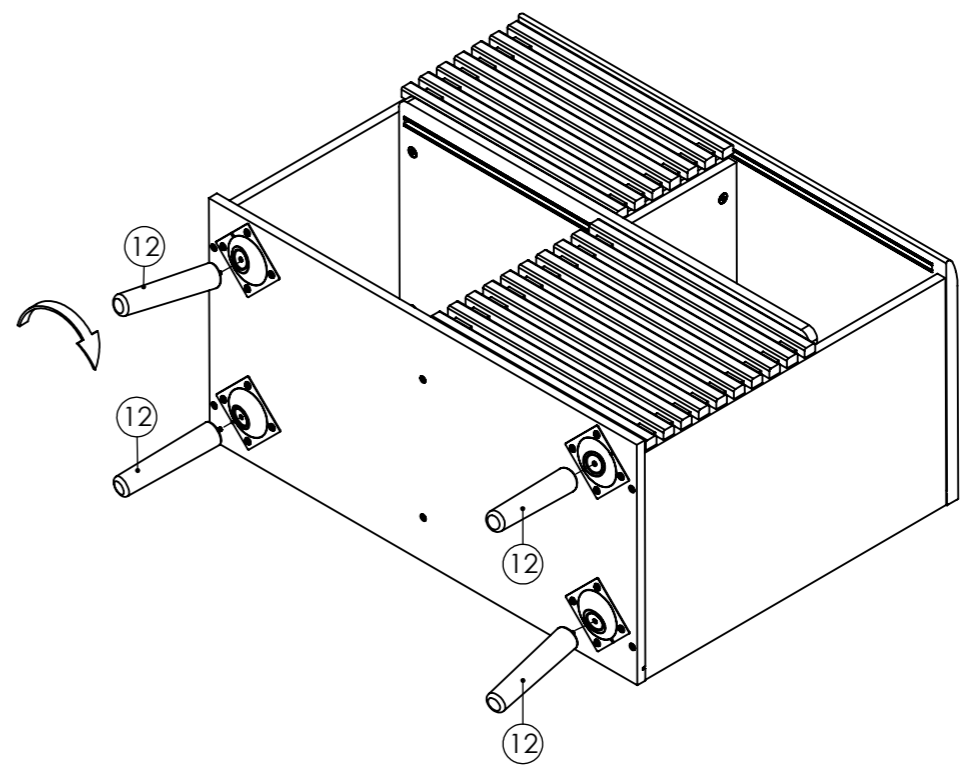




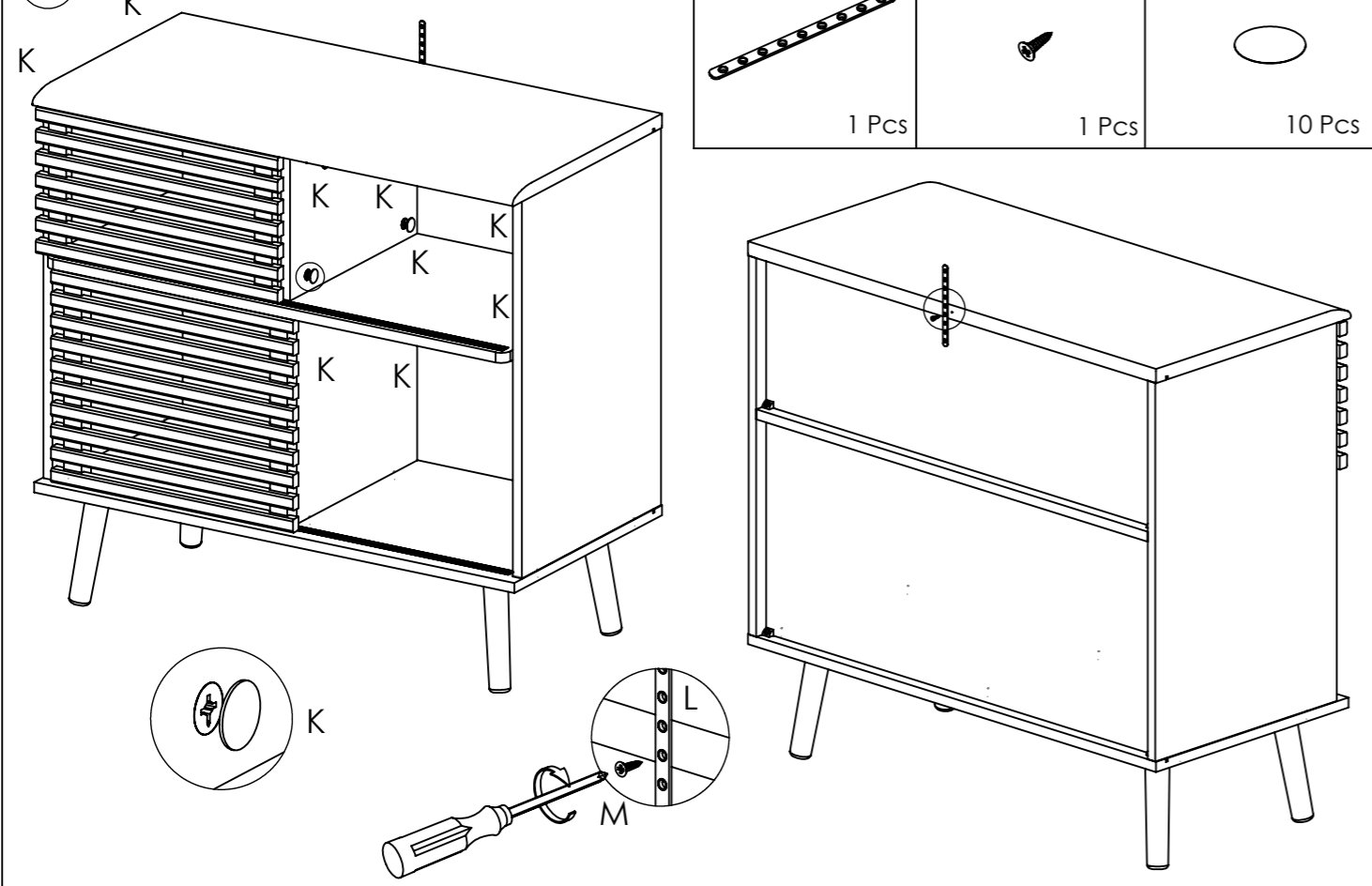
9



10



11



12

