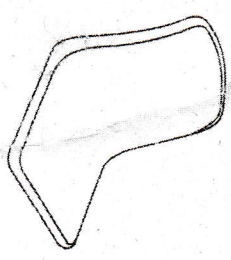
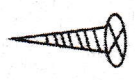
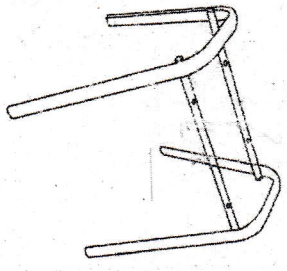
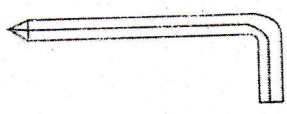


ASSEMBLE INSTRUCTION

Ax1 	Dx4 
Bx1 	Ex1 
Cx4 