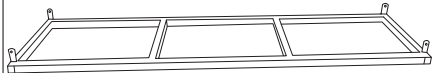


ASSEMBLY INSTRUCTION

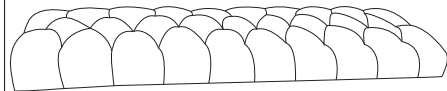
ZB-80985-150

AX2



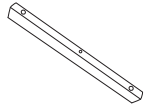
145cm

BX1



150cm

CX4



DX8



EX8

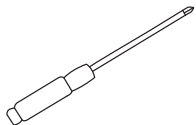


FX1



MX6

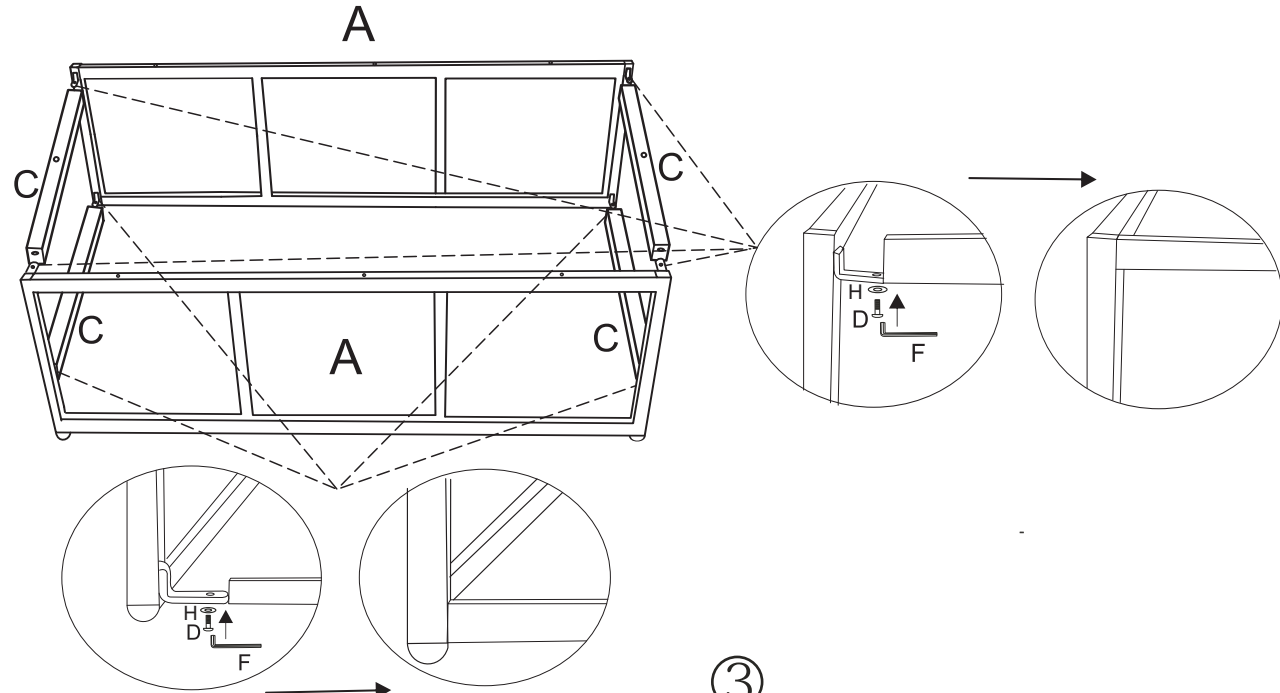
GX1



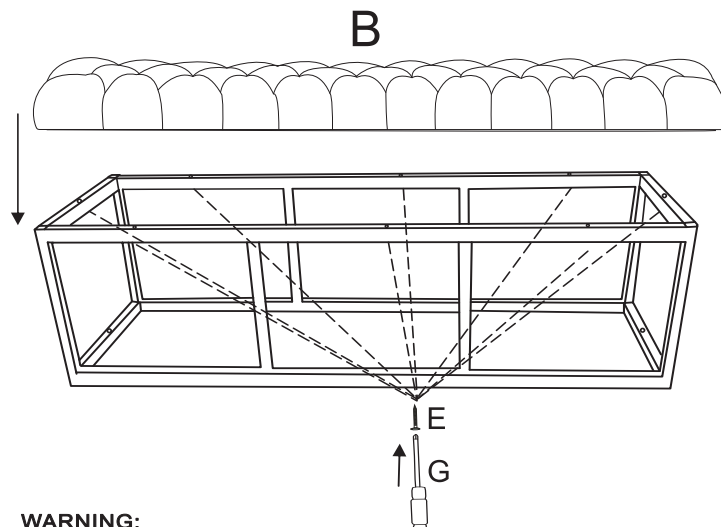
HX8



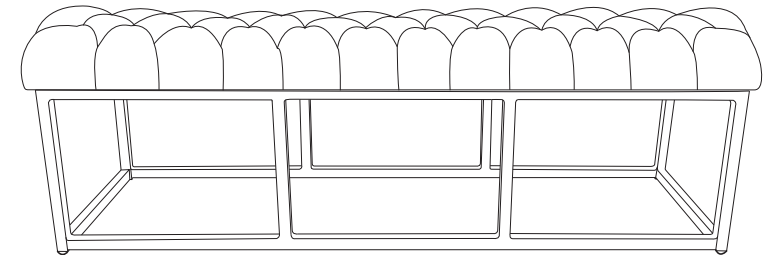
①



②



③



WARNING:

DO NOT STAND ON THE PRODUCT, DO NOT USE THIS PRODUCT AS A STEP LADDER.

DO NOT USE THIS PRODUCT UNLESS ALL BOLTS, SCREWS AND KNOBS ARE FIRMLY SECURED.

PLEASE DO NOT USE KNIFE TO OPEN ANY PARTS OF THE BOX OR PRODUCT.