

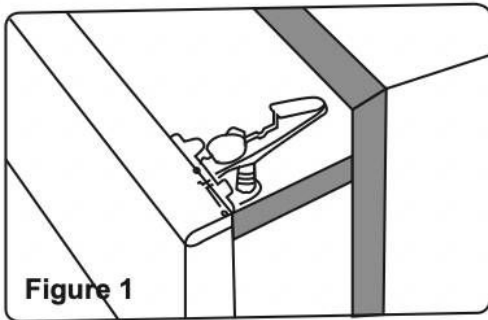
BABY SAFETY LOCK

Instructions

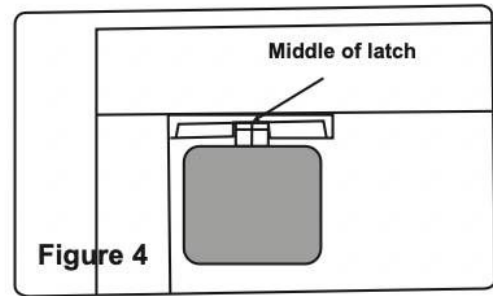
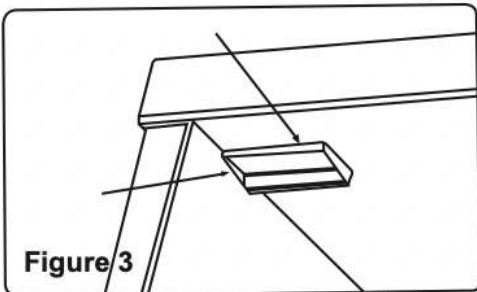
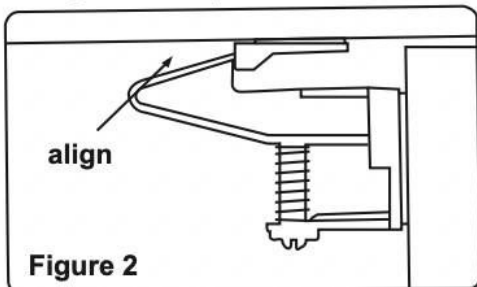
1. Determine the location for the safety lock. Position the lock on the inside of the cabinet, drawer, or door so that the tip of the safety lock will slightly clear the edge. (See Figure 1)

Clean and dry the area, remove 3M adhesive backing, and hold for at least 45 seconds.

Please note it may take up to 24 hours for adhesive to fully adhere.



2. IF NEEDED use the Catch Kit provided. This will be necessary ONLY if there is no lip on the cabinet, drawer, or door or if the lip is not long enough for the lock to catch. Align the Catch Kit within the inside portion of the cabinet door frame. Before sticking, make sure there is enough room (See Figure 2,3,4)



3. To open, simply pull cabinet, drawer, or door, while simultaneously pushing down the spring of the lock. When installed correctly, the tip of the lock will catch the lip or the Catch Kit, keeping it secure. (See Figure 5)

