



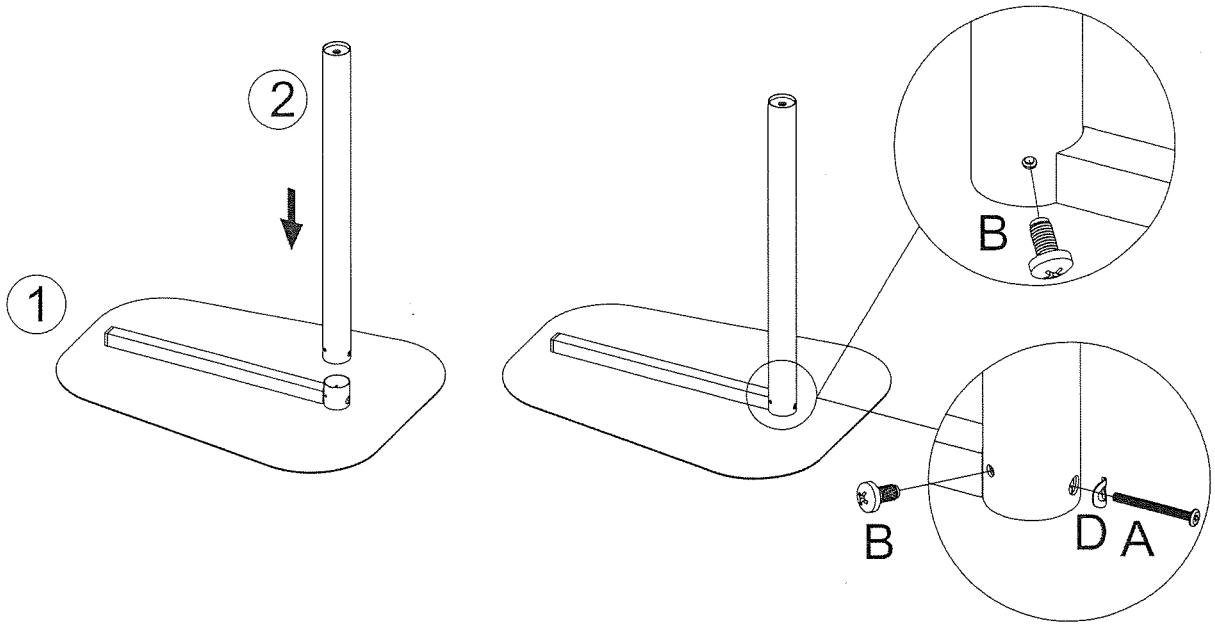




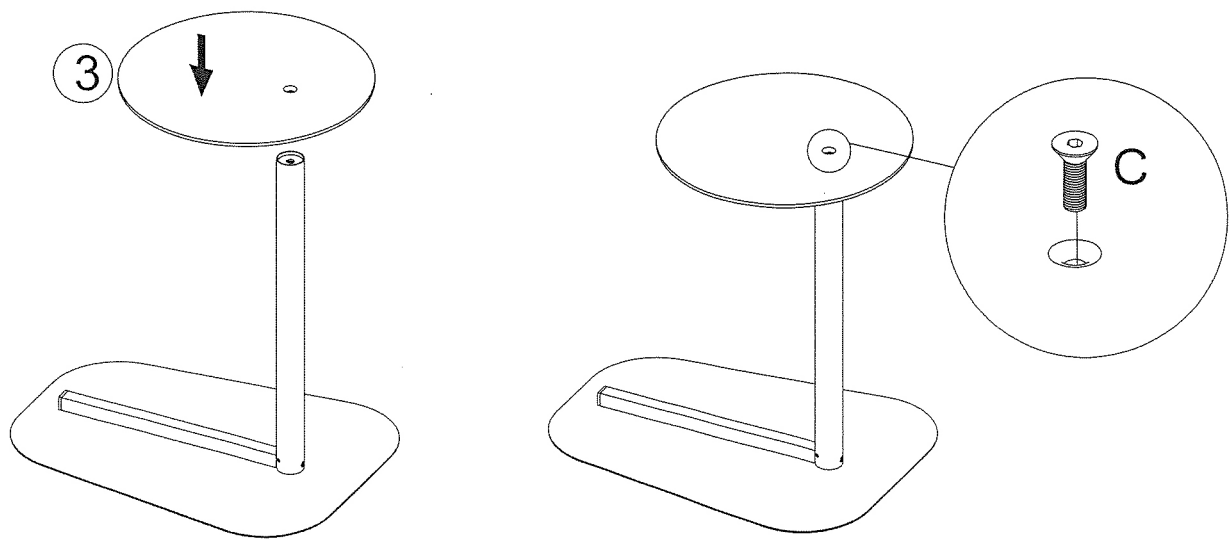
1

A × 1	B × 2	D × 1	F × 1
			
M6×60 mm	M4×8 mm		



2

C × 1	G × 1
	
M8×25 mm	



3

E x 4

