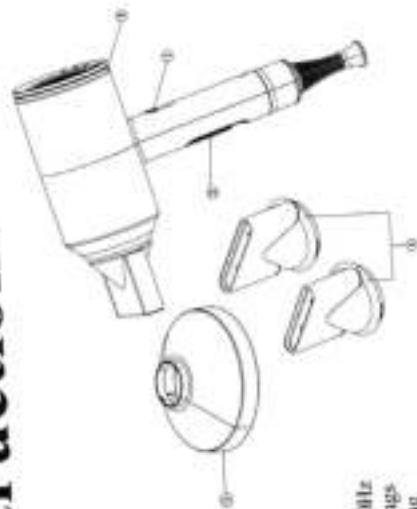


# Instructions



## Components

1. Cool shut button
2. Speed & temperature control knob
3. Air inlet cover
4. Concentrator nozzles
5. Diffuser

## Technical Specifications

- Professional AC motor
- Single Voltage - 110V/60Hz and 220V/50Hz
- 3 Heat settings, 2 speed & One cool settings
- >8 ft rotating swivel cord w th safety plug
- Intended for household, hotel & professional use

## Warnings

- Not recommended for young children and close supervision is needed.
- Inexperienced or people with physical, sensory or mentally challenged should be monitored.
- If you use the appliance in a bathroom, pull the plug out of the socket and keep it away from water.
- Do not use the device while it's susceptible to the water
- **In case the dryer slips into the water while turned on, do not try to reach it into water; simply unplug it first**
- For enhanced safety, it is recommended to install a differential circuit breaker with a nominal operating differential current that does not exceed 30mA (10mA is ideal) in the electric circuit of the bathroom.

## General safety instructions

- Before using this product, please read carefully this instruction manual and save it future use
- Before connecting the appliance, check the voltage indicated on the appliance corresponds to the local mains voltage
- Always unplug the appliance in the event of:
  - When not in use
  - When you attach accessories
  - Before cleaning it
  - In case of any troubles or malfunctions
- In order to protect children from risks of electrical shocks, never leave the appliance unattended when it is plugged in
- Check both the product and the cable regularly; do not use the product if you find any damages
- Keep power cord away from hot surface to prevent melting
- Use original accessories only
- When hair dryer is in use, its air inlets and outlets must never be closed
- Never use the appliance with wet or moist hands
- In case the appliance becomes moist or wet, please unplug it immediately from the socket
- Use the device only for its intended purpose in order to avoid possible fires and damages to the product; never use and place the product under blankets, towels or cushions
- In order to avoid the product from possible overheating, it is advisable to unwind the cable completely and not to keep the product switched on while it is not in use
- **Attention:** the nozzle becomes hot during operations. Avoid direct contact of your body parts with the hot surface while the unit is on