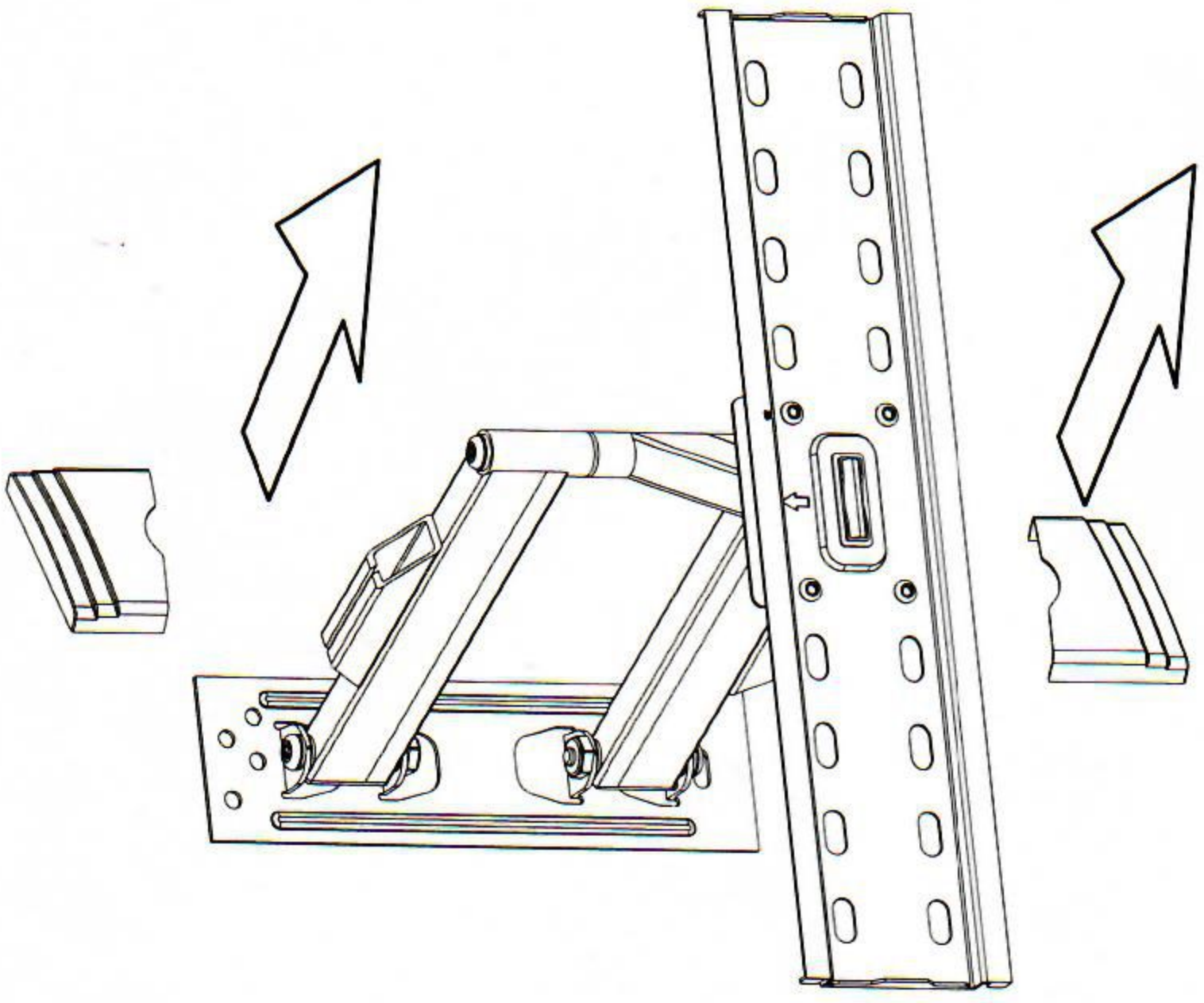
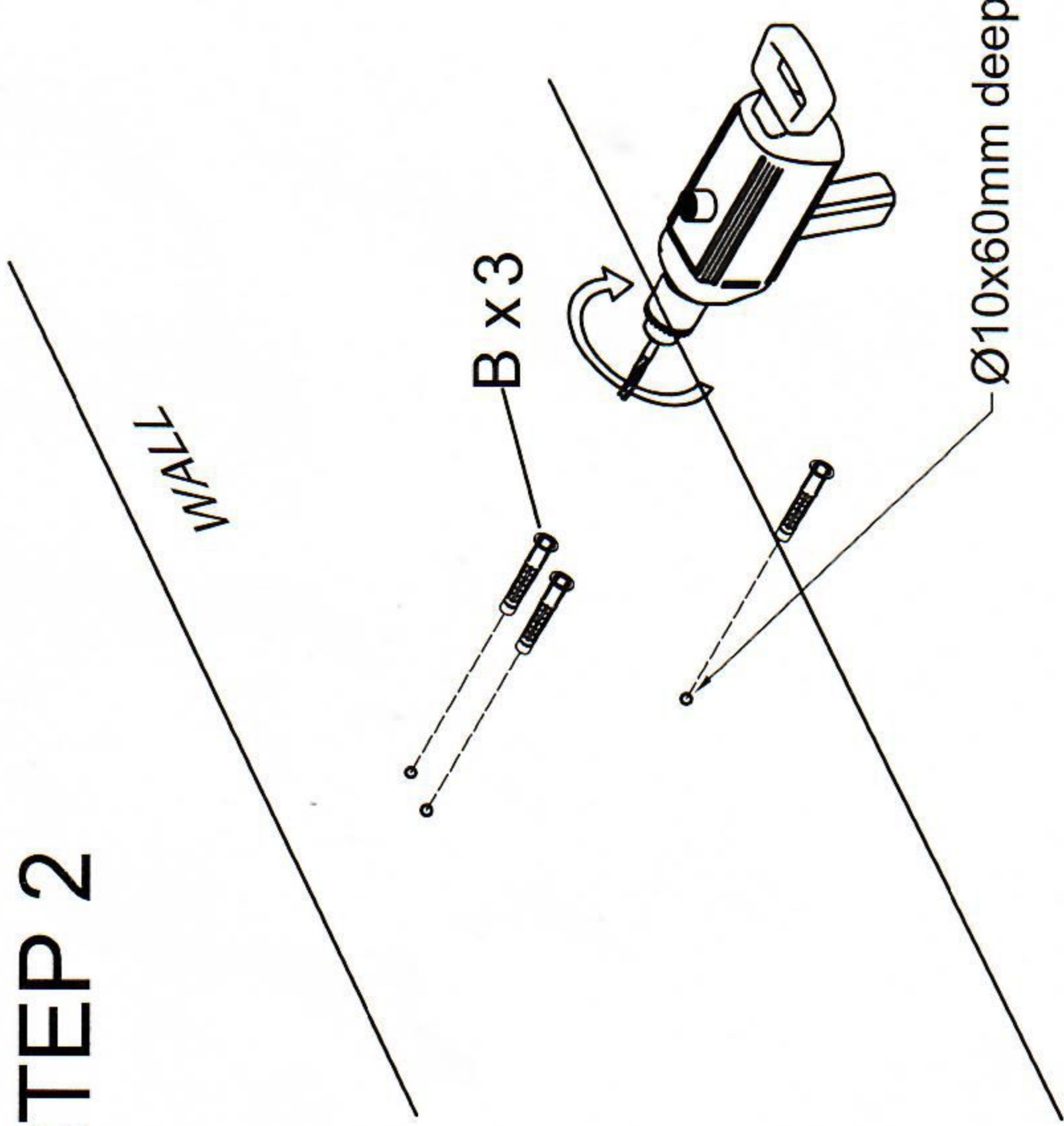


STEP 1



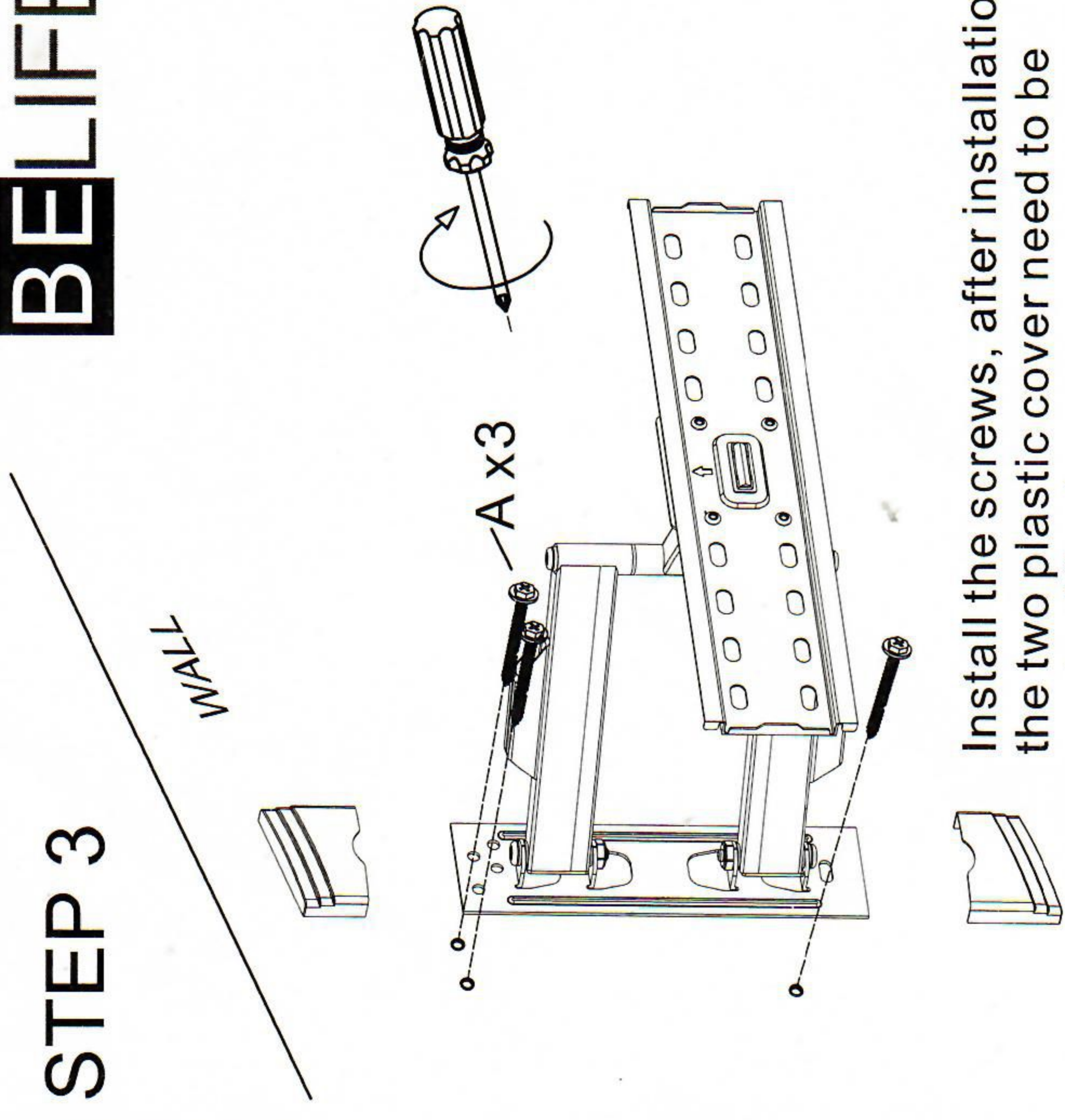
Remove the plastic cover before mounting the bracket.

STEP 2



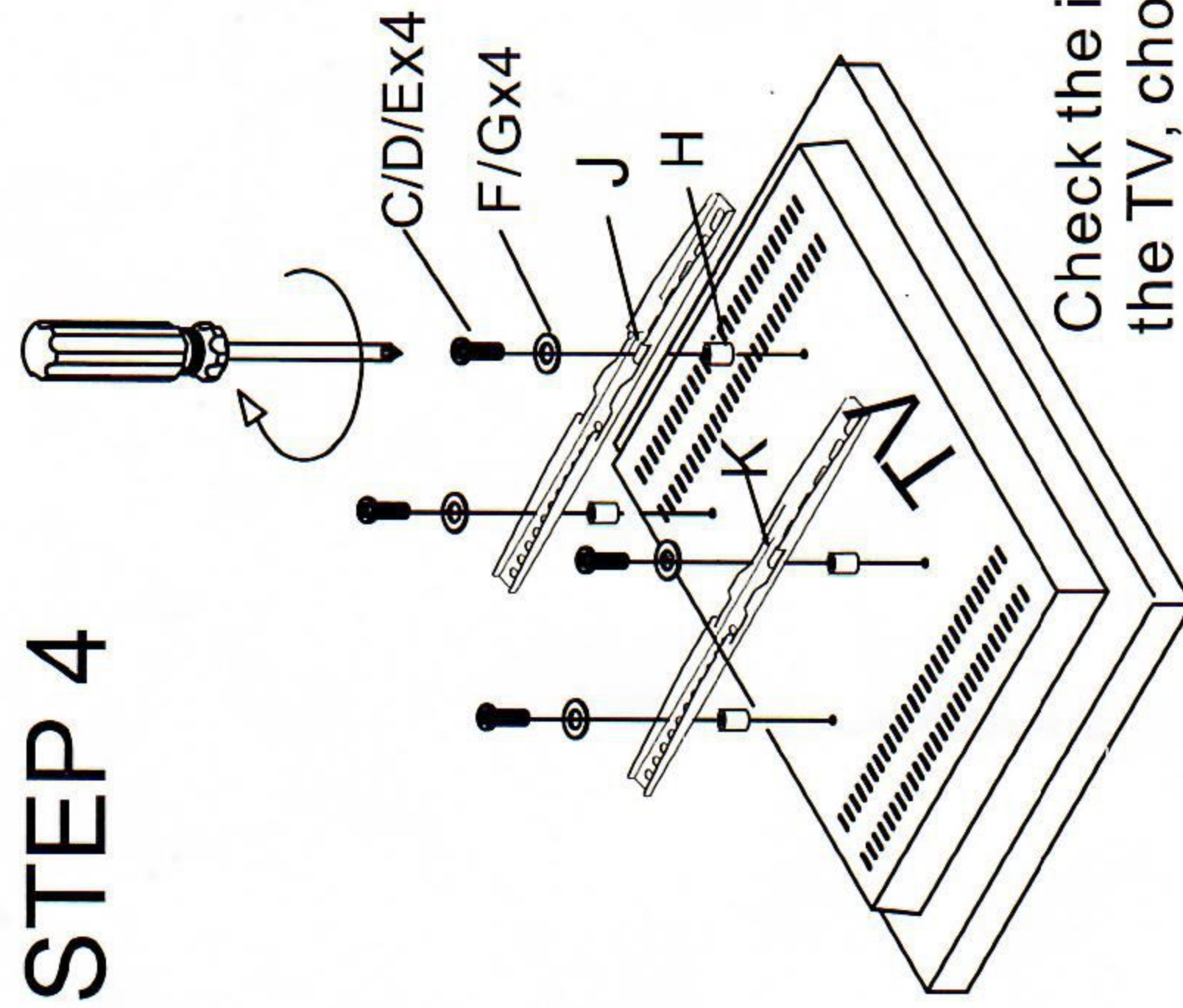
According to the hole position to drill the hole, use 10mm drill bit to drill a 60mm hole. Then put the expansion tube into the hole.

STEP 3



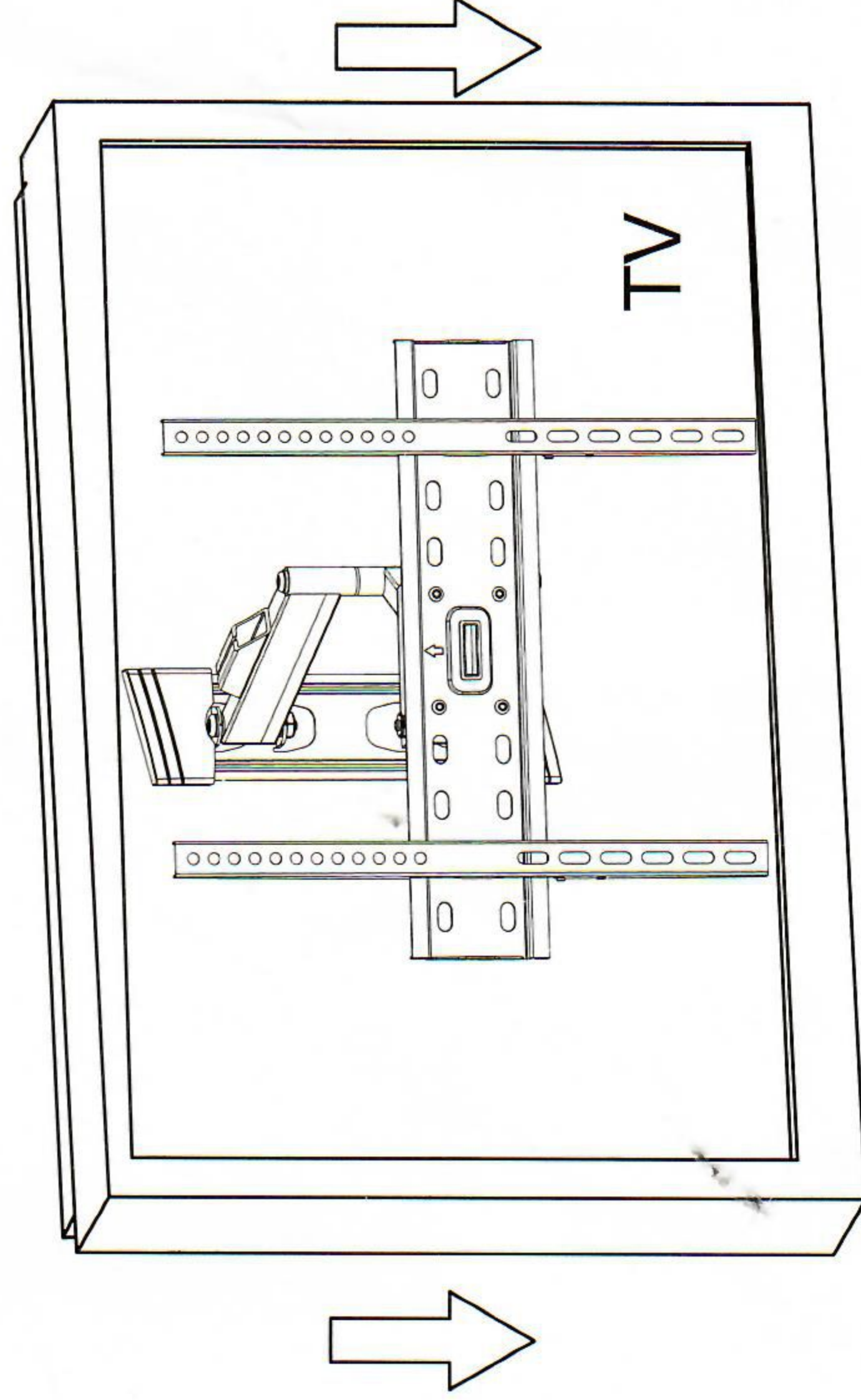
Install the screws, after installation, the two plastic cover need to be pushed firmly.











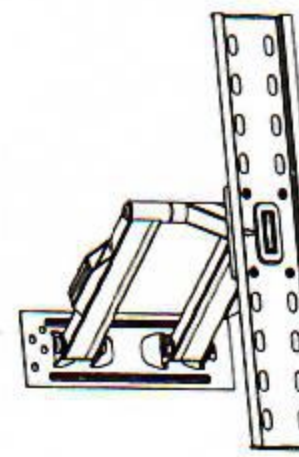
STEP 4



Check the installation hole of the TV, choose corresponding screws and washers to install the arm to back of tv.

STEP 5



A		M8x50	3
B		10x60	3
C		M8x25	4
D		M6x22	4
E		M4x20	4
F		D8	4
G		D6	4
H			4
I			1
J			2
K			1

