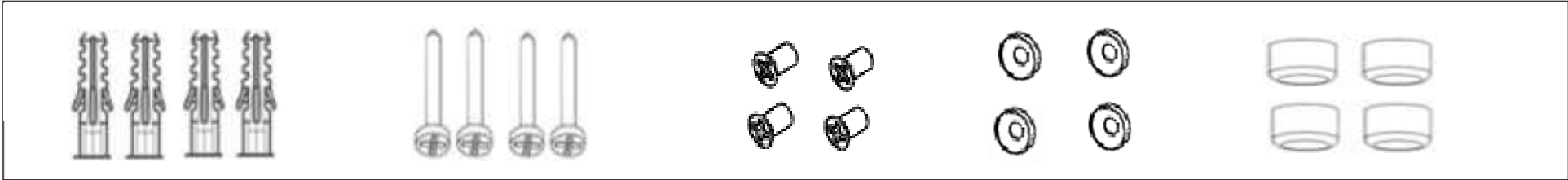




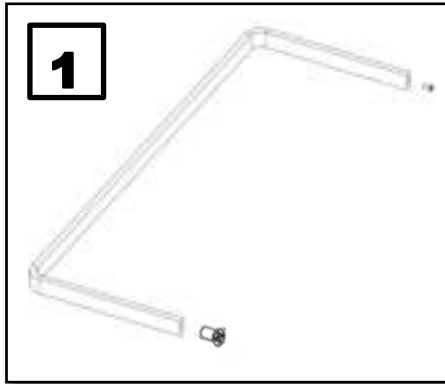
INSTALLATION INSTRUCTION



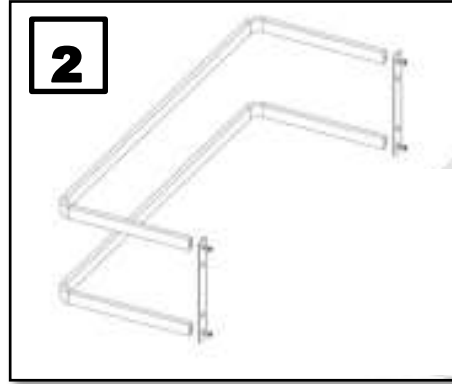
Accessories List



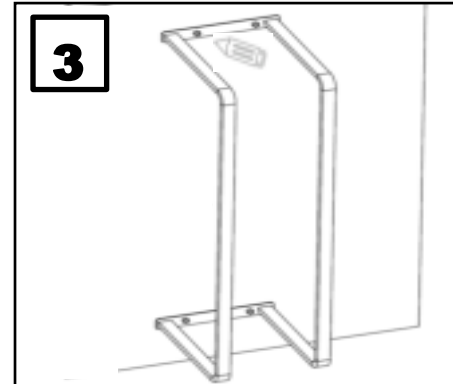
Installation Procedure



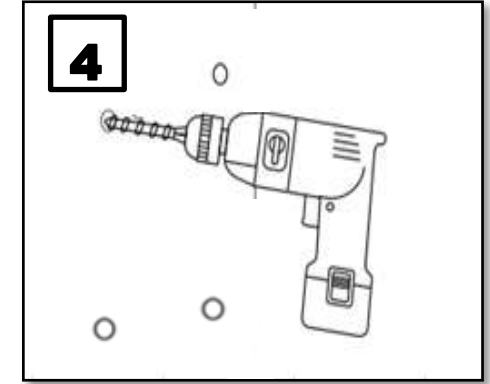
1. Unscrew from the bar



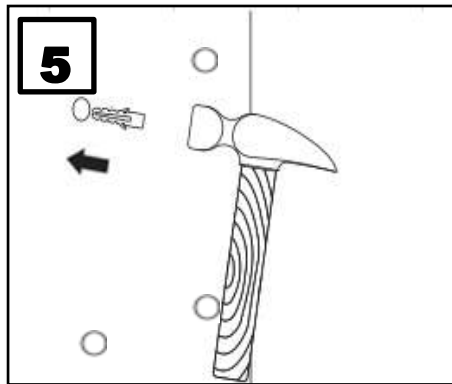
2. Assemble all parts together



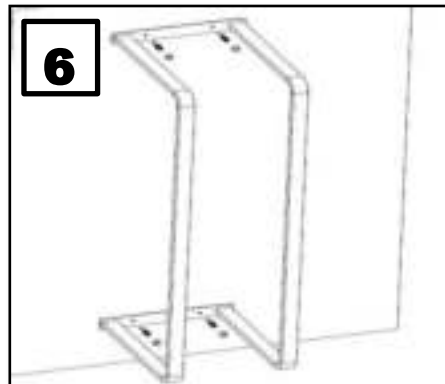
3. Mark mounting holes



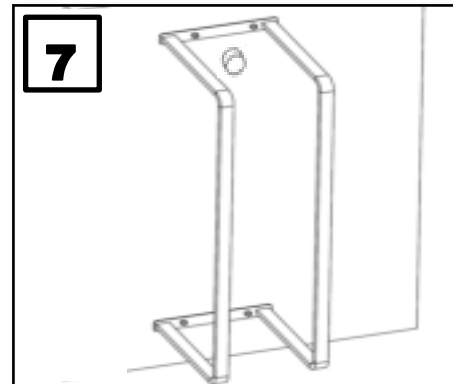
4. Drill screw holes (Φ6mm)



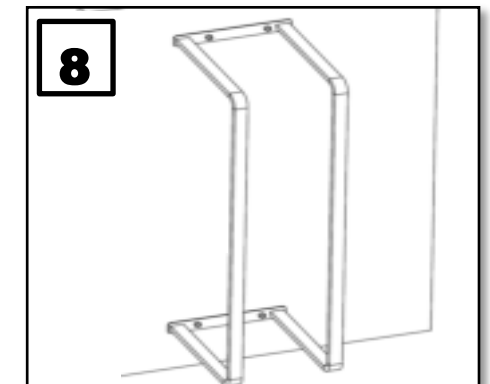
5. Insert anchors into holes



6. Screw shelf tightly



7. Install caps to hide screws



8: Installation Completed