



EN ■ Double Induction Cooktop UltraFlat

Translation of the original manual

READ CAREFULLY AND STORE FOR FUTURE USE.

- This appliance may be used by children 8 years of age and older and by persons with physical or mental impairments or by inexperienced persons, if they are properly supervised or have been informed about how to use the product in a safe manner and understand the potential dangers.
- Children must not play with the appliance.
- Cleaning and maintenance performed by the user must not be performed by children unless they are older than 8 years of age and under supervision.
- Children younger than 8 years of age must be kept away from the appliance and its power cord.
- In the event that the power cord is damaged, have it repaired at a professional service centre to prevent causing a dangerous situation. It is forbidden to use the appliance if it has a damaged power cord.
- Do not place metal objects such as knives, forks, spoons and lids on the hotplate of the appliance because they may heat up.



ATTENTION:

Hot surface. The temperature of accessible surfaces may be higher if the appliance is in operation.



WARNING

If this surface is cracked, turn off the appliance to prevent possible injury by electrical shock.



ATTENTION:

This appliance is not intended to be operated using an external timer switch or remote control.

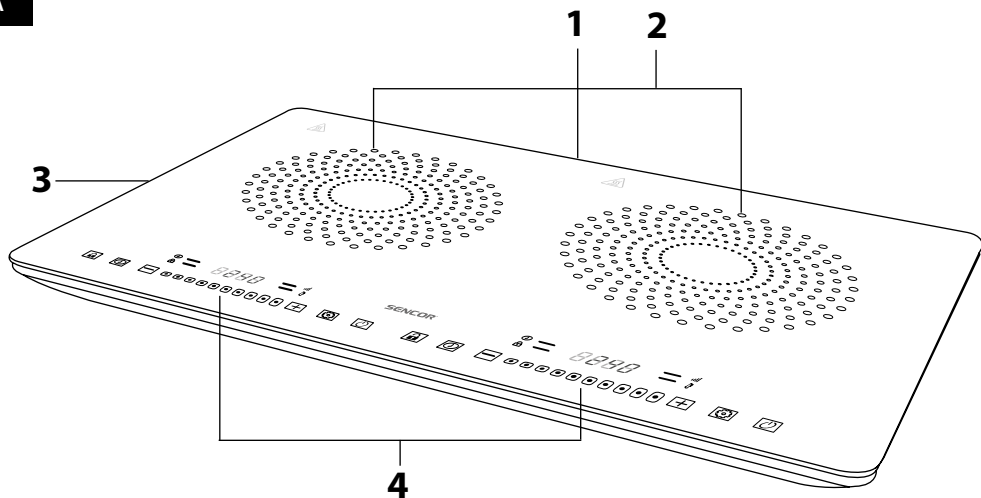
- This appliance is designed for household use only. Likewise, this appliance is intended for personal non-commercial use in locations such as:
 - staff kitchens in stores, offices and other workplaces;
 - recreational facilities, cottages and weekend houses;
 - hotel or motel rooms and other living areas;
 - Bed & Breakfast establishments.
- Do not use the appliance outdoors or in an industrial environment.
- Never use the appliance for any other purposes than those for which it is intended.
- Before connecting the appliance to a power socket, check that the nominal voltage on its rating label matches the voltage in the power socket to which you wish to connect it. Connect the appliance only to a properly grounded socket. Do not use an extension cord. Fully unwind the power cord before use.
- Only use the appliance on a horizontal, dry, clean, stable and heat resistant surface. Do not use the appliance on metal surfaces such as drainboards on a kitchen sinks.
- Do not place the appliance on the edge of a table or on an electric or gas stove or in their vicinity.
- Do not use the appliance on a surface that is sensitive to heat or that is covered by a table cloth, paper or other flammable material, in the vicinity of curtains and other flammable materials or materials sensitive to heat.
- During operation there needs to be sufficient area for air circulation above the appliance and around it. A safety clearance of at least 50 cm must be maintained, in the direction of the main radiant heat, from the surface of flammable materials located above the hotplate, and at least 10 cm in all other directions around the appliance.
- While in operation, the appliance must be located on a kitchen countertop with no cupboards or overhanging shelves above it.
- Do not place any items on to the appliance.
- Do not place credit cards, watches or radios in the vicinity of the appliance, so that they are not damaged by the magnetic field generated by the operation of the induction cooktop.
- Do not cover the appliance or block its vents.
- Do not use the appliance without a pot or pan placed on the hotplate. Regularly check the condition of the food while the hotplate is running.
- Only use pots and pans suitable for induction cooking.
- Always make sure that the pot or pan is correctly placed on the hotplate.
- The handle of the cookware must be in a safe position so as to prevent brushing against it and overturning the cookware.
- Liquids or meals may not be heated in closed containers, such as for example in cans, because an explosion could result.
- Be very careful when cooking with oil or shortening. Shortening or oil heated to a high temperature may ignite.
- When handling hot cookware, which contains hot food or liquids, be especially careful so as not to burn or scald yourself.
- When handling hot cookware, use kitchen gloves.
- The appliance must not be left without supervision when in operation or when connected to a power socket.
- Keep in mind that the hotplate will emit residual heat for a certain time after it is used. Be especially careful not to touch the hot surface of the appliance.
- Always after finishing using the appliance, turn it off using the On/Off button and disconnect the power cord of the appliance from the power socket. Always do this also when leaving the appliance without supervision, when not using it for an extended period of time and prior to cleaning, maintenance or prior to moving or storing it.
- Disconnect the appliance from the power socket by gently pulling the plug of the power cord, and not the power cord itself. Otherwise, this could damage the power cord or the socket.
- Allow the appliance to fully cool down before moving, cleaning, maintenance or storing it. Never move the appliance during operation or when there is a pot or pan on it or unless it has cooled down completely.
- To prevent the risk of injury by electrical shock, do not submerge the appliance, power cord or power plug in water or any another liquid.
- Do not place heavy items on the power cord. Make sure the power cord does not hang over the edge of a table, that it is not touching a hot surface or sharp objects.
- Regularly clean the appliance after each use according to the instructions in chapter Cleaning and maintenance. Do not perform any maintenance on the appliance except for cleaning as described in this user's manual.
- Do not use the appliance when it is not functioning correctly or after it has fallen on the floor, been submerged in water or is damaged in any other way. Hand it over to an authorised service centre for inspection or repair.
- In order to prevent a hazardous situation arising, do not repair the appliance yourself or modify it in any way. Have all repairs performed at an authorised service centre. By tampering with the appliance, you risk voiding your legal rights arising from unsatisfactory performance or quality warranty.



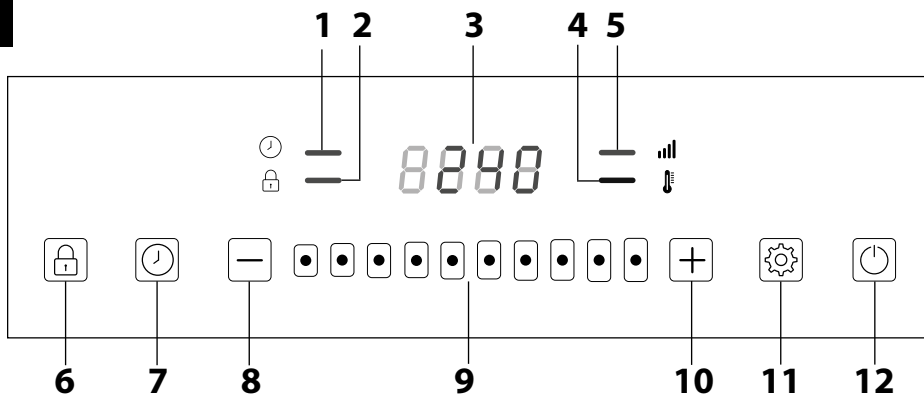
WARNING:

People using a cardiac pacemaker should only use this appliance after consulting their attending physician.

A



B



EN Double Induction Cooktop UltraFlat

User's manual

- Prior to using this appliance, please read the user's manual thoroughly, even in cases, when one has already familiarised themselves with previous use of similar types of appliances. Only use the appliance in the manner described in this user's manual. Keep this user's manual in a safe place where it can be easily retrieved for future use.
- We recommend saving the original cardboard box, packaging material, purchase receipt and responsibility statement of the vendor or warranty card for at least the duration of the legal liability for unsatisfactory performance or quality. In the event of transportation, we recommend that you pack the appliance in the original box from the manufacturer.

DESCRIPTION OF THE APPLIANCE

- A1** Air inlet (along the sides of the appliance)
A2 Hotplate
A3 Fan and air outlet (on the underside of the appliance)
A4 Control panel with display

DESCRIPTION OF THE CONTROL PANEL

- B1** Timer indicator light
B2 Child lock indicator light
B3 Display – shows the hotplate power level, set temperature, automatic shut-off time or error message codes. If the cooktop is in the stand-by mode, the display will show "OFF".
B4 Temperature indicator light
B5 Power level indicator light
B6 Child lock button
B7 Timer button
B8 Minus (-) button
B9 Slider for quick setting of power level / temperature
B10 Plus (+) button
B11 Function selection button
B12 On/Off button

Before first use

- Before first use, take the appliance and its accessories out of the packaging material and remove all promotional labels and stickers. Check that neither the appliance nor any of its parts is damaged.
- Wipe the surface of the appliance with a clean, lightly dampened cloth. Then wipe it dry.

Induction and selecting suitable cookware

- Underneath the hotplate there is an induction coil that, when turned on, creates a variable electromagnetic field. The induction current generated by this field starts heating the bottom of the pot or pan that is placed on the hotplate. To ensure proper operation, it is important that the cookware is ferromagnetic. This property can be verified using a small magnet placed against the bottom of the pot or pan. If there is an attraction between the magnet and the bottom of the pot or pan then the cookware is ferromagnetic and hence suitable for use on an induction hotplate. This includes, for example, cast iron, steel, enamelled and stainless steel cookware with a ferromagnetic bottom.
- We recommend that the base of the cookware is flat and straight. The minimum diameter of the base is 12 cm, the maximum diameter may be up to 2 cm past the edge of the hotplate. The induction hotplate automatically adapts to the size of the used pot or pan.
- If, on the other hand, there is no attraction between the magnet and the bottom of the pot or pan then the cookware is not suitable for use on an induction hotplate. As a rule, this includes cookware made from copper, pure stainless steel, aluminium, glass, wood, ceramics, stone, etc.



Note:

When unsuitable cookware is used or if the hotplate detects that there is no cookware on it, then it will turn off automatically. This is a normal safety feature that prevents damaging the appliance.

RADIO WAVE INTERFERENCE

- The use of the induction cooktop may cause interference to your radio, television or similar receivers.
- If this occurs, we recommend to:
 - redirect the radio or television antenna;
 - move the cooktop farther away from the radio, television or receiver;
 - insert the power plug into a different power socket with an independent circuit.

Operating the appliance

- Place the appliance on a kitchen countertop or on a table within reach of a power socket. At the same time, make sure that all safety instructions are followed.
- Make sure that there are no foreign objects located on the hotplate **A2** and that its surface is clean.
- Fully unwind the power cord and connect it to a power socket.



Note:

Since the appliance heats up during operation, the power cord must be located in such a way that it is not touching the surface of the appliance.



Note:

Plug the appliance into a separate power socket with an independent circuit breaker. Necessary circuit breaker – 16A.

Turning on the cooktop

- To turn on the cooktop, press button **B12**. The display **B3** will show "ON".
- Place a pot or pan on the hotplate **A2**.
- Press the function selection button **B11**. The appliance automatically detects the pot or pan. If the used cookware is suitable, the appliance will start automatically at the preset power level. The display **B3** will show the preset power value and the fan **A3** will start.
- If the used cookware is not suitable, the appliance will not start. The error message **E0** will appear on the display **B3** and the appliance will beep. After a while the appliance will automatically switch to the stand-by mode.
- If you take the cookware off the hotplate **A2**, the display **B3** will show the error message **E0** and the appliance will beep. After a while the appliance will automatically switch to the stand-by mode. The display **B3** will show "H" or "OFF".

Turning off the cooktop

- When not using the cooktop, press button **B12** to turn the cooktop off. The display **B3** will show "H" or "OFF". The cooktop will switch to the stand-by mode. If the temperature of hotplate **A2** is higher than 80 °C, then display **B3** will show "H" after being turned off. As soon as the temperature of the hotplate **A2** falls below 80 °C, the "H" will disappear from the display **B3**.
- Disconnect the power plug from the power socket.



Note:

The fan **A3** will run for a certain time after the cooktop is turned off so that it cools down faster. Do not pull the power plug out of the power socket until the fan **A3** turns off completely.



Note:

When first turned on, there may be light smoke emitted. This is an entirely normal event, which will disappear after a few minutes.

Setting the power level

- When the cooktop is turned on for the first time, it will start at the preset power level.
- Press the function selection button **B11** until the power level indicator light **B5** is lit.
- To set the power level, use buttons - / + or the slider **B9**. The power level can be set in the range 100 - 2,000 W (left hotplate) or 100 - 1,400 W (right hotplate).



Note:

Prior to setting the power level, always ensure that the power level indicator light **B5** is lit. If it is not, first press the function selection button **B11**.

Setting the temperature

When the cooktop is turned on for the first time, the preset temperature is set to "120 °C".

Press the function selection button **B11** until the temperature indicator light **B4** is lit. To set the temperature, use buttons - / + or the slider **B9**. You can set the temperature in the range from 60 to 240 °C.

Setting the power level and automatic shut-off

- Press the function selection button **B11** until the power level indicator light **B5** is lit. Then press the timer button **B7**. The display **B3** will show "0:00". Using the buttons - / +, set the time after which the cooktop will automatically turn off, in the interval from 1 minute to 3 hours. The automatic shut-off is set in one-minute increments.
- The set automatic shut-off time will start flashing on the display **B3** for approximately 5 seconds and then the appliance will automatically switch to the power level setting. The default power will appear on the display **B3**. To set the power level, use buttons - / + or the slider **B9**.
- The set time will start counting down on the display **B3**.
- During the set time, the set power level can be set using buttons - / +, or the slider **B12**.
- When the set time elapses, the cooktop will beep and automatically switch to the stand-by mode. The display **B3** will show "H" or "OFF".

Setting the temperature and automatic shut-off

- Press the function selection button **B11** until the temperature indicator light **B4** is lit. Then press the timer button **B7**. The display **B3** will show "0:00". Using the buttons - / +, set the time after which the cooktop will automatically turn off, in the interval from 1 minute to 3 hours. The automatic shut-off is set in one-minute increments.
- The set automatic shut-off time will start flashing on the display **B3** for approximately 5 seconds and then the appliance will automatically switch to the temperature setting. "120 °C" will appear on the display **B3**.
- To set the temperature, use buttons - / + or the slider **B9**.
- The set time will start counting down on the display **B3**. The countdown time and the set temperature will be intermittently shown on the display **B3**.
- During the set time, the set temperature can be set using buttons - / +, or the slider **B12**.
- When the set time elapses, the cooktop will beep and automatically switch to the stand-by mode. The display **B3** will show "H" or "OFF".

Child safety lock

- The appliance is equipped with a child lock function that enables the control panel to be locked to prevent unwanted changes to the settings.
- To activate the child lock function, hold down button **B6** for a while. Indicator light **B2** will be lit and the control buttons will be disabled.
- To deactivate the child lock function, hold down button **B6** for a while. The indicator light **B2** will turn off.

Overheating protection

- The appliance is equipped with overheating protection. In the event that there is a risk of it overheating (you placed an empty pot or pan on the hotplate), the appliance will beep and turn off automatically.



Note:

For safety reasons, the cooktop will turn off automatically after two hours of operation if you do not press any button or adjust the settings.

CLEANING AND MAINTENANCE

- Clean the appliance after every use. Makes sure that dried on food or other residues do not accumulate on it. Before cleaning it, always turn off the appliance using the On/Off button **B12**, disconnect the power cord from the power socket and allow the appliance to cool down completely.
- To clean the hotplate **A2** and the surface around it, use a soft, lightly dampened textile. Then wipe the hotplate **A2** dry. In the event of greater soiling, use a small amount of neutral kitchen detergent. Remove any remaining detergent using a clean, lightly dampened cloth. Then thoroughly wipe the cleaned surface until dry.
- Do not use steel wool, solvents, cleaning products with an abrasive effect, etc. to clean the appliance. Otherwise the surface coat of the appliance may be damaged.



Warning:

To prevent the risk of injury by electrical shock, do not submerge the appliance, power cord or power plug in water or any another liquid.

Storage

- When not using the appliance for an extended period of time, disconnect the power plug from the power socket, allow the appliance to cool down and clean it according to the instructions provided above. Before storing it, check that the appliance is clean and dry. Store the appliance in a dry, clean and well-ventilated location not exposed to extreme temperatures and out of children's reach.

Error messages

Error code	Cause	Solution
E0	There is no pot or pan on the hotplate A2 , or you placed unsuitable cookware on it.	Use suitable cookware – more in section "Induction and selecting suitable cookware" .
E1 or E2	Heat sensor error.	Stop using the appliance, disconnect the power plug from the power socket and contact an authorised service centre.
E3 or E4	The voltage in the power socket to which the cooktop is connected is too high or too low.	Insert the power plug into a power socket with a voltage of 220 – 240 V~.
E5	Overheating	Allow the cooktop to cool down. Then put it into operation again.
E6	The heat fuse was activated, the cooktop turned off due to overheating.	Allow the cooktop to cool down. Check that the air inlet A1 and the fan and the air outlet A3 are free and unobstructed. If the problem persists, stop using the appliance, disconnect the power plug from the power socket and contact an authorised service centre.



Note:

If the problem persists, stop using the appliance, disconnect the power plug from the power socket and contact an authorised service centre.

TECHNICAL SPECIFICATIONS

Rated voltage range.....	220 – 240 V~
Rated frequency.....	50 / 60 Hz
Rated power input.....	3,400 W
Hotplate power level setting.....	max. 2,000 W (left hotplate) max. 1,400 W (right hotplate)
Hotplate temperature settings.....	60 – 240 °C
Operating time settings.....	1 – 180 minutes.



Safety class for electrical shock protection: Class II – Electrical shock protection is provided by double or heavy-duty insulation.

We reserve the right to change the text and technical specifications

INSTRUCTIONS AND INFORMATION REGARDING THE DISPOSAL OF USED PACKAGING MATERIALS

Dispose of used packaging material at a site designated for waste in your municipality.

DISPOSAL OF USED ELECTRICAL AND ELECTRONIC EQUIPMENT



This symbol on products or original documents means that used electric or electronic products must not be added to ordinary municipal waste. For proper disposal, renewal and recycling, hand these products over to determined collection points. Alternatively, in some European Union states or other European countries you may return your products to the local retailer when buying an equivalent new product.



Correct disposal of this product helps save valuable natural resources and prevents potential negative effects on the environment and human health, which could result from improper waste disposal. Ask your local authorities or collection facility for more details.

In accordance with national regulations penalties may be imposed for the incorrect disposal of this type of waste.

For business entities in European Union states

If you want to dispose of electric or electronic devices, ask your retailer or supplier for the necessary information.

Disposal in other countries outside the European Union.

This symbol is valid in the European Union. If you wish to dispose of this product, request the necessary information about the correct disposal method from the local council or from your retailer.



This product meets all the basic requirements of EU directives related to it.