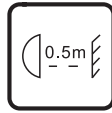
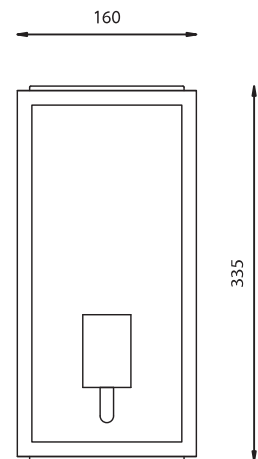
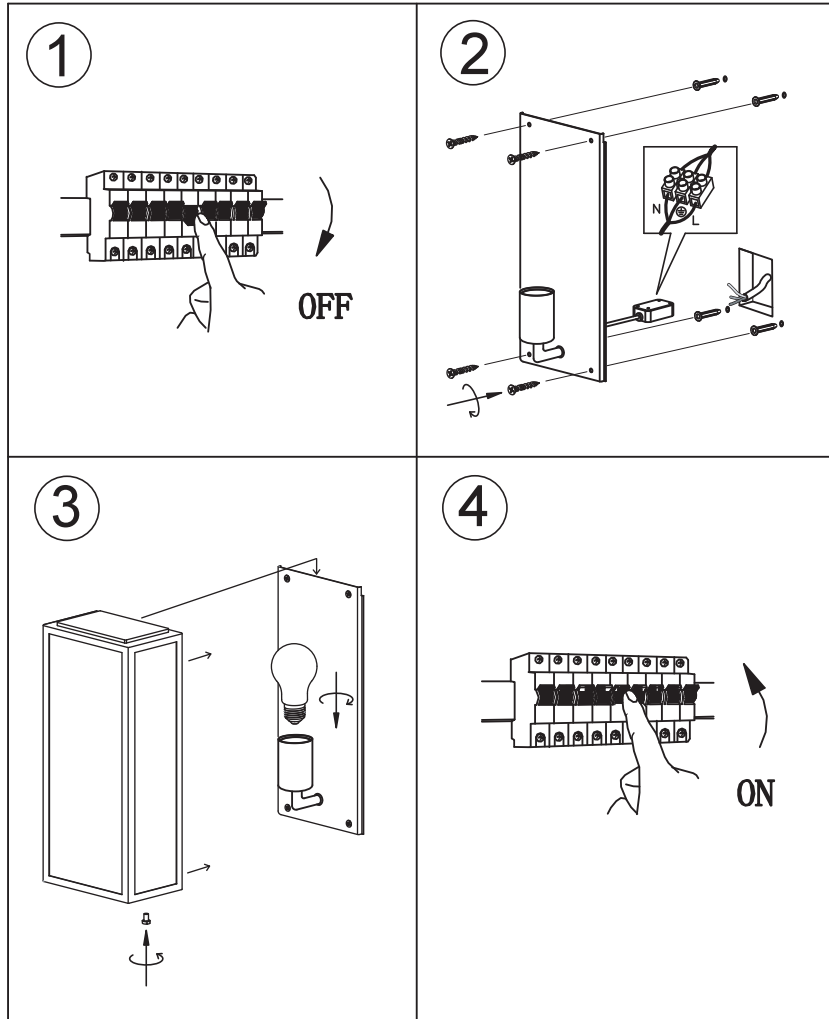


# INSTRUCTION MANUAL



Rotterdam WL 1 Black  
91423



QAZQA