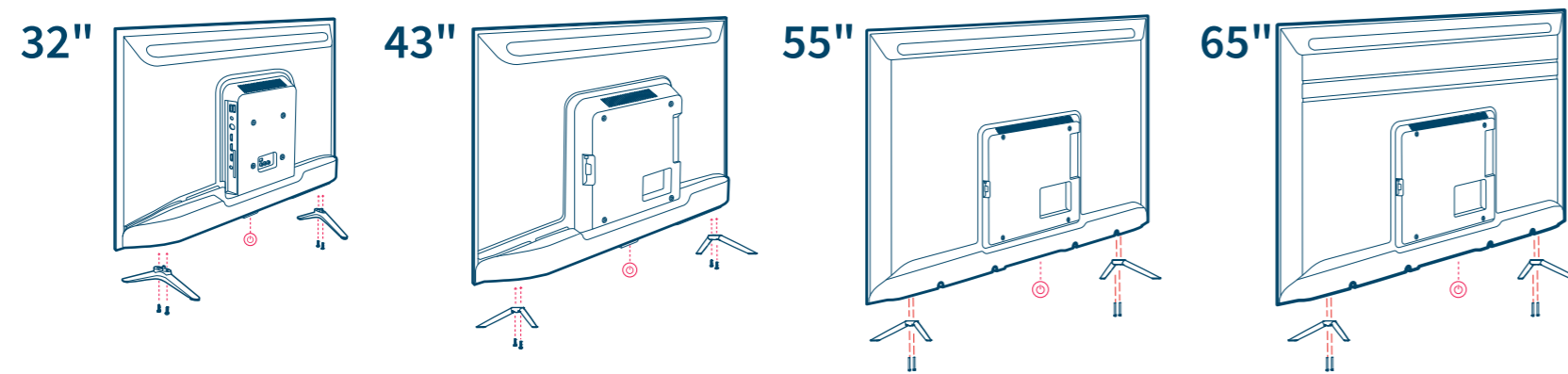




## TV Safety Notice and Installation Guide

### • Installation



#### 01 Installation (Table Top)

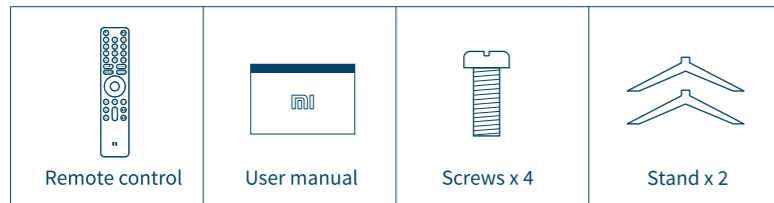
Insert Left/Right Stand Base to TV as shown in the picture and fasten them using screws.

Note: Wall Mount Bracket is not a part of standard accessory.

#### 02 Turn On the TV

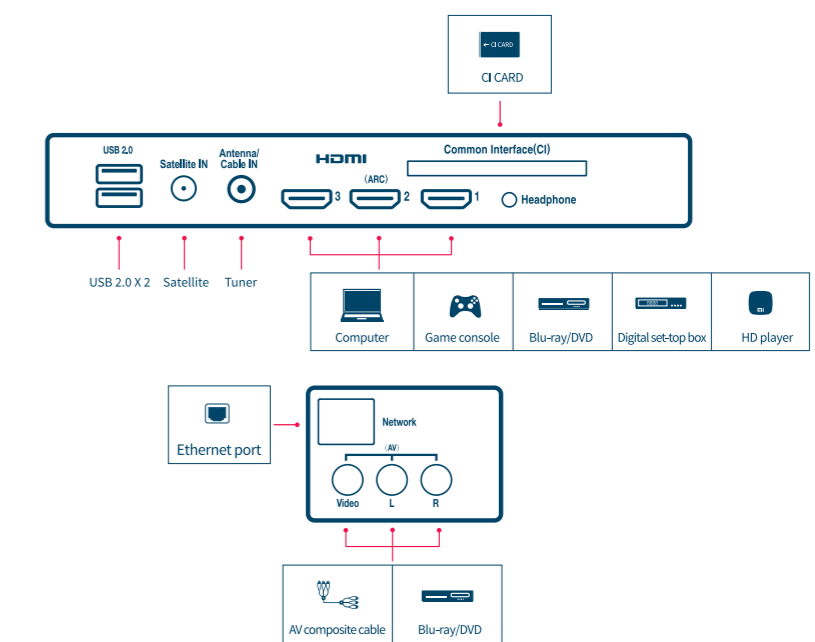
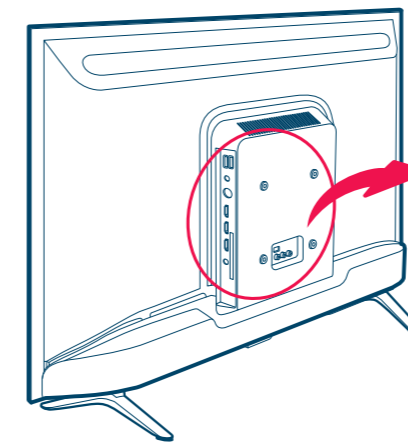
Connect TV's power cord to ac power outlet carefully. Push the power button located at bottom of TV (or press power button on remote.) to turn it On. Follow screen instructions of quick start guide to setup TV.

### • Accessories

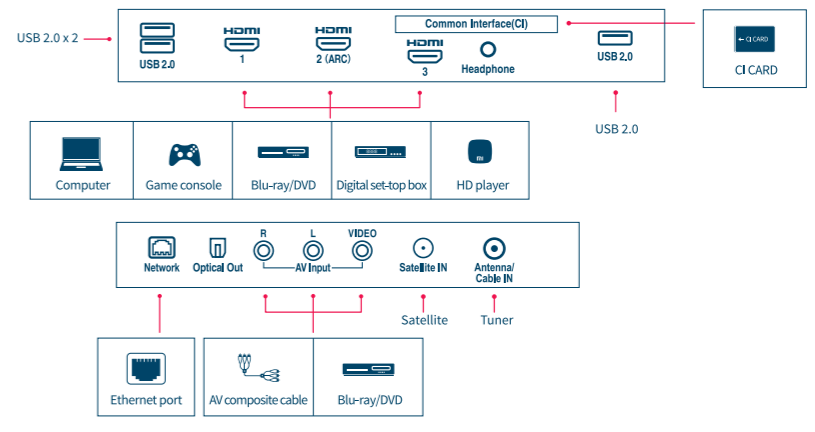
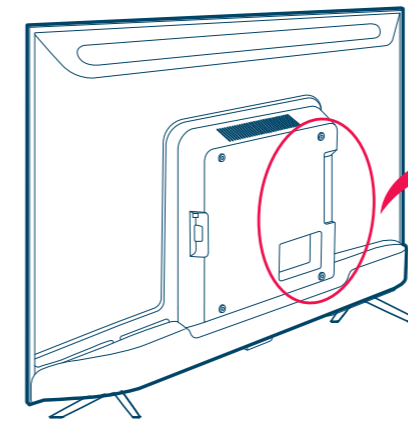


Note:  
1) Accessory items may vary depending upon model.  
2) Specifications may change without prior notice.  
3) Stand pictures are for reference only.

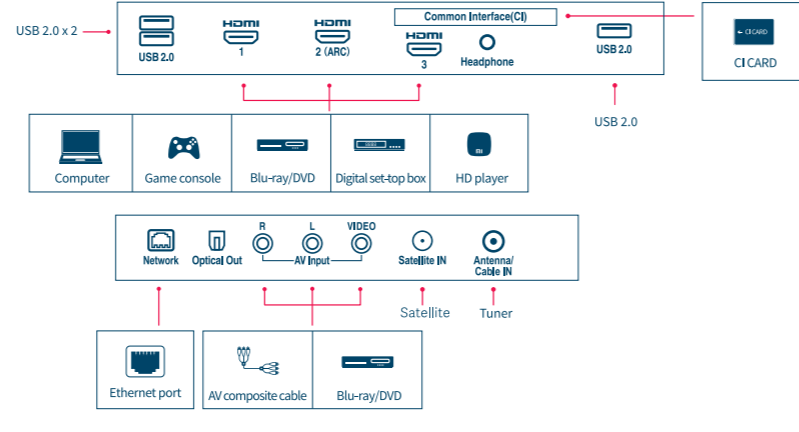
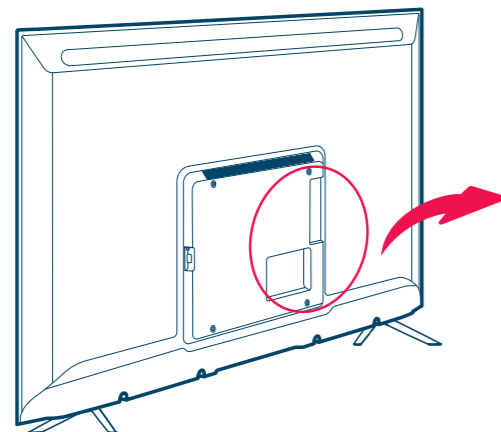
### • TV interface (32")



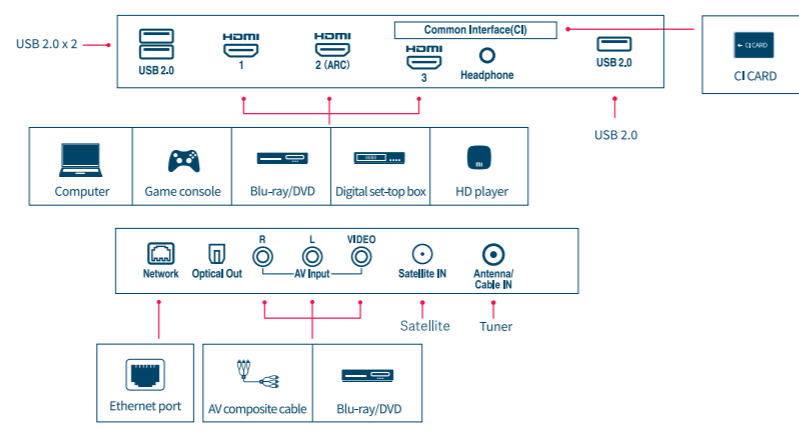
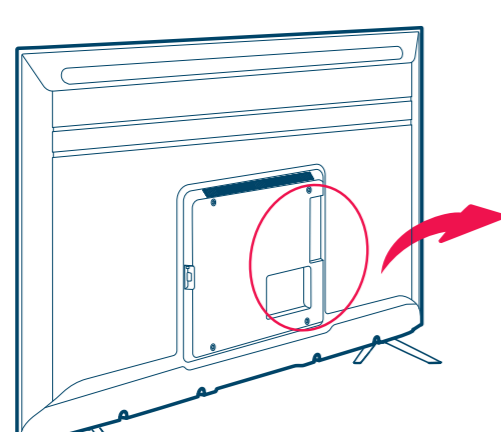
### • TV interface (43")



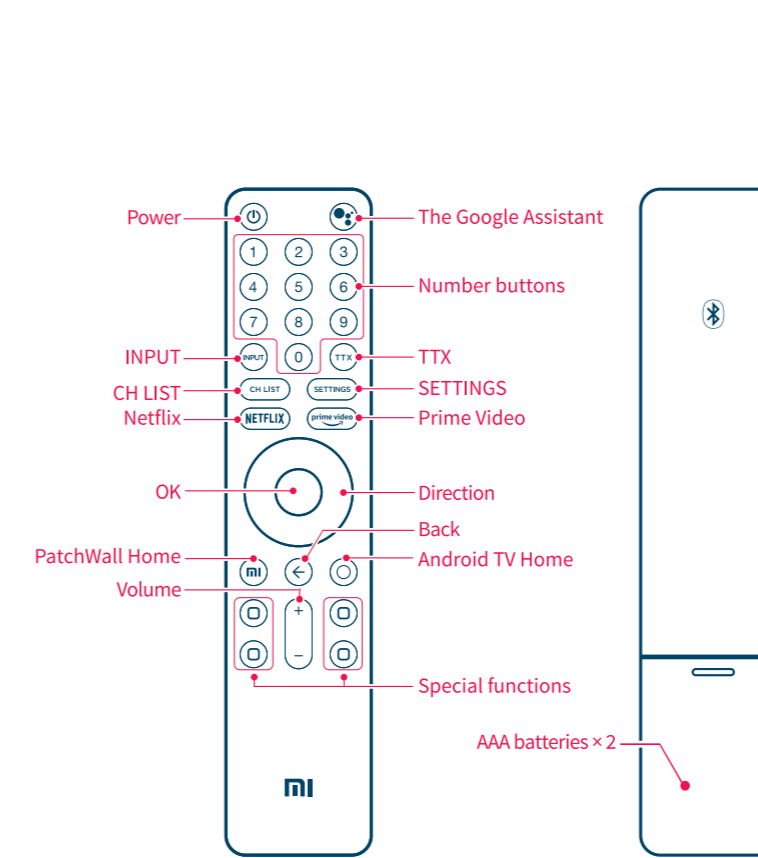
### TV interface (55")



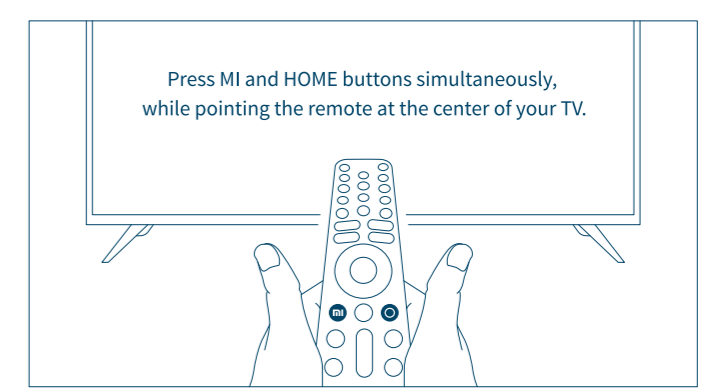
### • TV interface (65")



### • Using the remote control



**Power:** Turn On and Off the TV.  
**The Google Assistant:** Press the Assistant button on your remote to use your Google Assistant\*.  
**Number buttons:** Gives direct access to channels.  
**INPUT:** Press to select available video sources.  
**TTX:** Select or exit Teletext mode.  
**CH LIST:** Press to show channel list.  
**SETTINGS:** Displays the main on-screen menu.  
**Netflix:** Gives direct access to Netflix application.  
**Prime Video:** Gives direct access to Prime Video application.  
**Direction:** Navigate up/down or left/right through content. During playback use left/right buttons to rewind/fast-forward.  
**OK:** Press to confirm current selection during navigation. You can pause/play the current video during playback, except Live Channels(Set-Top Box or RF).  
**PatchWall Home:** Short press to quickly return to the PatchWall Home screen.  
**Back:** Go back to the previous level.  
**Android TV Home:** Short press to quickly return to the Android TV Home screen.  
**Special functions:** Use these buttons according to the directions on the TV screen.



\*The Google Assistant is not available in certain languages and countries.

### • Specs

	32"	43"	55"	65"
<b>Model</b>	Android TV Model: L32M5-SASP Voltage: 100-240V~ 50/60Hz Power Consumption: 45W	Android TV Model: L43M5-SASP Voltage: 100-240V~ 50/60Hz Power Consumption: 85W	Android TV Model: L55M5-SASP Voltage: 100-240V~ 50/60Hz Power Consumption: 150W	Android TV Model: L65M5-SASP Voltage: 100-240V~ 50/60Hz Power Consumption: 200W
<b>Basic Specs</b>	Screen size: 80cm Screen resolution: 1366x768 (HD) Refresh rate: 60Hz	Screen size: 108cm Screen resolution: 3840x2160 (4K) Refresh rate: 60Hz	Screen size: 138.8cm Screen resolution: 3840x2160 (4K) Refresh rate: 60Hz	Screen size: 163.9cm Screen resolution: 3840x2160 (4K) Refresh rate: 60Hz
<b>Hardware Specs</b>	CPU: Quad-core CA55 RAM: 1.5GB DDR Flash Storage: 8GB eMMC Graphics processor: Mali-470MP	CPU: Quad-core CA55 RAM: 2GB DDR Flash Storage: 8GB eMMC Graphics processor: Mali-470MP	CPU: Quad-core CA55 RAM: 2GB DDR Flash Storage: 8GB eMMC Graphics processor: Mali-470MP	CPU: Quad-core CA55 RAM: 2GB DDR Flash Storage: 16GB eMMC Graphics processor: Mali-470MP
<b>Ports</b>	Input interface: AV x 1; Antenna x 1; Satellite x 1; HDMI x 3 (1 port with ARC support) Output interface: Headphone x 1 Data interface: USB2.0 x 2; Ethernet port x 1; CI x 1	Input interface: AV x 1; Antenna x 1; Satellite x 1; HDMI x 3 (1 port with ARC support) Output interface: Headphone x 1; Optical x 1 Data interface: USB2.0 x 3; Ethernet port x 1; CI x 1	Input interface: AV x 1; Antenna x 1; Satellite x 1 HDMI x 3 (1 port with ARC support) Output interface: Headphone x 1; Optical x 1 Data interface: USB2.0 x 3; Ethernet port x 1; CI x 1	Input interface: AV x 1; Antenna x 1; Satellite x 1 HDMI x 3 (1 port with ARC support) Output interface: Headphone x 1; Optical x 1 Data interface: USB2.0 x 3; Ethernet port x 1; CI x 1
<b>Wireless Connectivity</b>	Wi-Fi: 2.4GHz/5GHz (802.11 a/b/g/n/ac) Bluetooth: BT4.2/5.0	Wi-Fi: 2.4GHz/5GHz (802.11 a/b/g/n/ac) Bluetooth: BT4.2/5.0	Wi-Fi: 2.4GHz/5GHz (802.11 a/b/g/n/ac) Bluetooth: BT4.2/5.0	Wi-Fi: 2.4GHz/5GHz (802.11 a/b/g/n/ac) Bluetooth: BT4.2/5.0
<b>Audio and Video Encoding</b>	Audio formats: FLAC; AAC; OGG; Dolby Audio; DTS-HD Video formats: MPEG 1/2/4; H.263; H.264; H.265; VP8; VP9	Audio formats: FLAC; AAC; OGG; Dolby Audio; DTS-HD Video formats: MPEG 1/2/4; H.263; H.264; H.265; VP8; VP9	Audio formats: FLAC; AAC; OGG; Dolby Audio; DTS-HD Video formats: MPEG 1/2/4; H.263; H.264; H.265; VP8; VP9	Audio formats: FLAC; AAC; OGG; Dolby Audio; DTS-HD Video formats: MPEG 1/2/4; H.263; H.264; H.265; VP8; VP9

### • Important precautions

**Installation**

- The TV should be installed near an AC power outlet that can be easily plugged and unplugged.
- Place the TV on a smooth, flat surface to avoid the TV falling and causing injury, or damaging the TV.
- The TV is damaged due to strong impact.
- Any liquid or solid object falls into the case through an outlet, turn off the TV and immediately unplug the AC power cord.
- The diameter and length of the screws will vary depending on the wall mount model. Failure to use the correct screws may cause the TV to fall or lead to internal damage.
- Keep a space for ventilation around the TV.

**Moving**

- Disconnect all cables before moving the TV.
- Liquid TV need care more avoid to move safely. Avoid applying pressure to the LED panel when moving the TV. Avoid shaking the TV or exposing to excessive vibrations.
- When moving the TV to a new location to carry out your repairs, package the TV using the original box and packaging materials.

**Ventilation**

- Do not cover the ventilation holes or insert any objects into the case.
- Keep a space for ventilation around the TV.
- Do not place the TV on a shelf, carpet, bed, or close.
- Do not cover the TV with fabric (such as curtains) or other materials (such as newspapers).

**Wall mounting**

In order to ensure proper ventilation and prevent the buildup of dust or dirt:

- Do not mount the TV flat, upside-down, or backwards, or side mount the TV.
- Do not place the TV on a shelf, carpet, bed, or close.
- Do not cover the TV with fabric (such as curtains) or other materials (such as newspapers).

**AC power cord**

Use the AC power cord and socket according to the instructions below to avoid fire, electric shock, damage, or personal injury.

- Insert the plug completely into the AC outlet.
- Use the TV with 10° to 45° (20-90°F) (200-300V) AC power source.
- When connecting cables, the AC power cord should be unplugged for safety reasons. Do not connect too many devices on the same AC power outlet.
- Do not use an available AC power source.

**Damage to MI TV screen**

Do not touch the screen of the TV, otherwise the screen may be broken due to the impact and cause serious injury. In case of damage to the surface of the TV, do not touch the TV before the AC power cord has been unplugged.

**Operating conditions**

Operating temperature: 5°C-40°C. Storage temperature: -15°C-40°C. Relative humidity: 10%-80%.

**Precautions**

- Do not use the TV in an inappropriate lighting conditions. Watching TV in insufficient light or for long periods can damage your eyesight.
- Do not use the TV in a room with high humidity. This is normal.
- Do not support the disassembled OTS-CD bottom coming in from HDMI IN.

**Using and cleaning the screen/case of the MI TV**

Before cleaning the LED TV, ensure that the AC power cord is disconnected from the AC power outlet. In order to avoid deterioration of the casing materials or corroding the screen coating, please observe the following precautions:

- Wipe with a soft cloth to remove any dust on the surface of the screen/case. If there is still dust, wipe with a soft cloth that has been moistened with a mild detergent.
- Do not spray water or detergent directly onto the TV. It may drip to the base of the screen or external parts, causing malfunction.
- Do not use any harsh, alkaline or acid cleaners, scouring powder, or volatile liquids, such as alcohol, acetone, benzene, or insecticide. The use of the above-mentioned or prolonged contact with rubber or vinyl products may cause damage to the screen surface and casing materials. It is recommended that you regularly clean the screen to ensure proper ventilation.
- When adjusting the angle of the TV, slowly move the TV to prevent it moving or slipping from the base.

**Children**

- Do not let children close the TV.
- Place small objects out of the reach of children in order to avoid swallowing.

**Optional items**

- Keep optional accessories or any devices that emit electromagnetic radiation away from the TV in order to avoid signal disturbance or noise.

**In case of the following problems ...**

- The AC power cord is damaged.
- The AC power outlet is not suitable.
- The TV is damaged due to strong impact.
- Any liquid or solid object falls into the case through an outlet, turn off the TV and immediately unplug the AC power cord.

**Usage restrictions**

Do not install the TV in the following places, environments, or conditions, otherwise the TV may malfunction and cause fire, electric shock, damage, or personal injury.

- Place:** Outdoors (in direct sunlight), by the sea, in a ship or other vessel, inside a car, in a medical institution, at an unstable location, near to water, or in a place exposed to rain, moisture, or mist. The TV is not to be used in a damp or salty place, or in a room with steam or fumes (near a stove or humidifier to avoid fire, electric shock, or deformation. Do not boil water, heat, food, medicine, or use ironing cable near the TV).
- Conditions:** Do not use the TV where your hands are wet, when the case is open, or with accessories that are not authorized by the manufacturer. In the case of lightning strike, disconnect the TV from the AC power cord and AC outlet. Do not install the TV in an open-air location. Failure to follow these conditions may result in personal injury or damage, or cause damage to the TV.
- Damage to MI TV screen:** Do not touch the screen of the TV, otherwise the screen may be broken due to the impact and cause serious injury. In case of damage to the surface of the TV, do not touch the TV before the AC power cord has been unplugged.
- Operating conditions:** Operating temperature: 5°C-40°C. Storage temperature: -15°C-40°C. Relative humidity: 10%-80%.

**RoHS compliance - European Union**

MI products and the European Union, meet the requirements of Directive 2011/65/EU and its subsequent amendments (Directive (EU) 2015/863) on the restriction of the use of certain hazardous substances in electrical and electronic equipment.

**Simplified EU Declaration of Conformity**

MI hereby declares that the product complies with the requirements of the EU Directive 2014/53/EU (RED), this device can be operated in at least one Member State without infringing applicable requirements on the use of radio spectrum.

**RF Frequency and Power**

This device offers the following frequency bands in EU areas only and maximum radio-frequency power (W):

AT	BE	BG	HR	CY	CZ	DK	EE	FR	DE	EL	ES	SE	UK
IT	LV	LT	LU	MT	NL	PL	PT	RO	SK	SF	SI	SK	UK

**RFCE**

In accordance with Article 3.2 in Directive 2014/53/EU (RED), this device can be operated in at least one Member State without infringing applicable requirements on the use of radio spectrum.

**How to dispose this product**

Carry to the nearest service center of MI authorized agents. Instructions of handling the product during and after its use and disposal and safety with respect to handling the product.

**Do's:**

- Always look for information on the catalogue or your product for end-of-life equipment handling.
- Ensure that only Authorized Repair agents repair and handle your electronic products.
- Always call Authorized E-waste Recyclers to dispose products that have reached end-of-life.
- Always drop your used electronic products, batteries or any accessories when they reach the end of their life to your nearest Authorized E-waste Collection Center / Collection Point.
- Whenever possible or as instructed, separate the packaging material according to responsible waste disposal options and sorting for recycling.

**Don'ts:**

- Do not dismantle your electronic products on your own.
- Do not throw electronic items (having "Do Not Throw" symbol) into the trash.
- Do not give e-waste to informal and unorganized sectors (like Local Scrap Dealer / Rag Pickers).

**MI Service**

MI Service is available in the following countries: China, India, Indonesia, Italy, Japan, Korea, Mexico, Singapore, South Africa, Taiwan, Thailand, Turkey, USA, Vietnam, and others. For more information, please visit [www.mi.com/service](http://www.mi.com/service).

**HDMI**

HDMI is a registered trademark of HDMI Licensing, LLC. MI is an authorized HDMI licensee. MI is not responsible for any damage to your equipment caused by the use of HDMI cables that are not certified by HDMI Licensing, LLC.

**CE**

MI hereby declares that this product complies with the requirements of the EU Directive 2014/53/EU (RED) and the EU Directive 2011/65/EU (RoHS).