
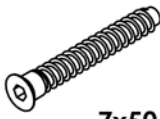
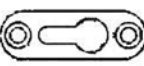





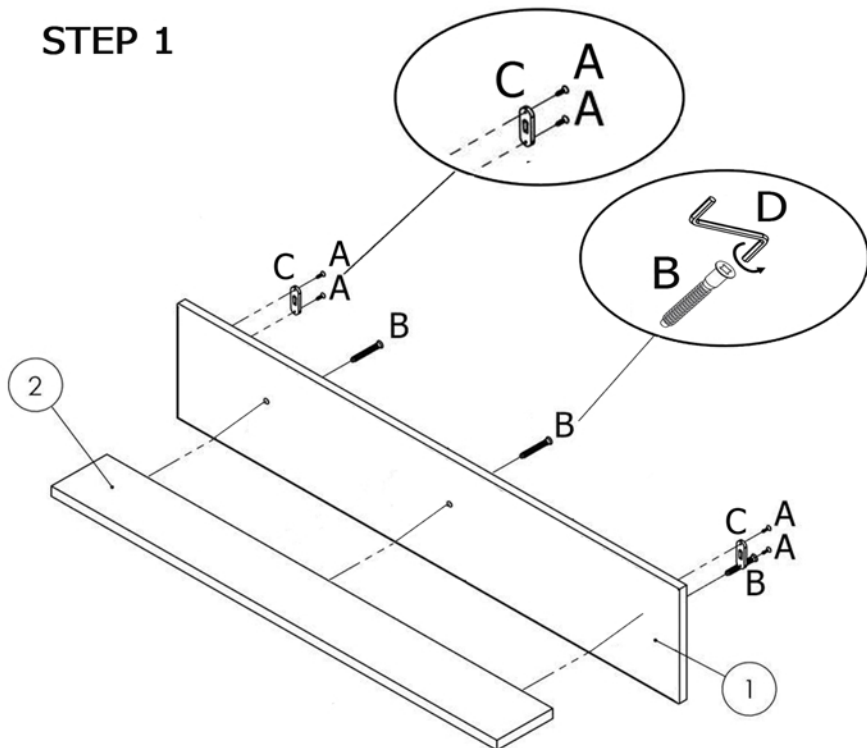
SHELF CLOE

Art code: 118 22 012

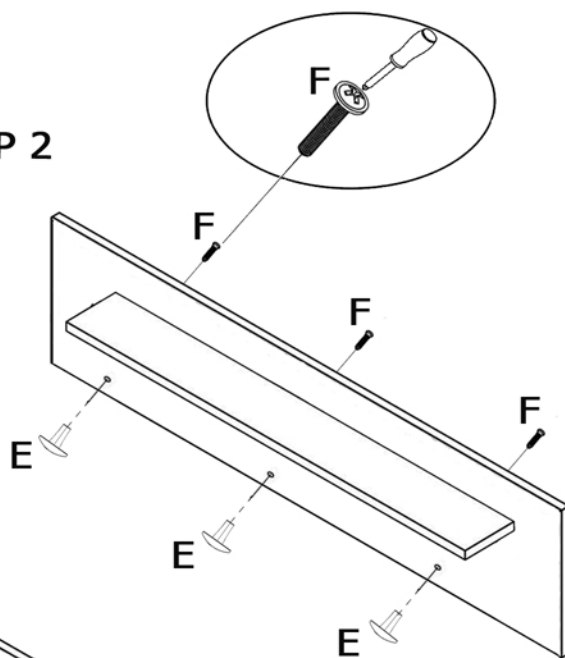
22/04/2021

 3.5x13 A x 4	 7x50 B x 3	 C x 2	 D x 1	 E x 3	 4x22 F x 3
---	--	--	--	--	--

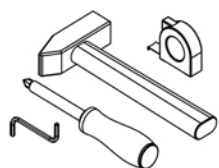
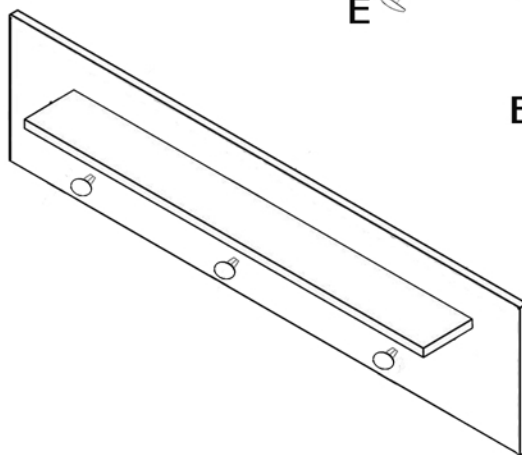
STEP 1



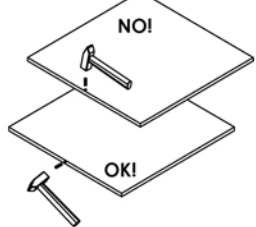
STEP 2



STEP 3



30 min.



"BOPITA"
LION INTERNATIONAL B.V.
ENERGIWEG 1
6662 NS ELST GLD
NEDERLAND
www.bopita.com

