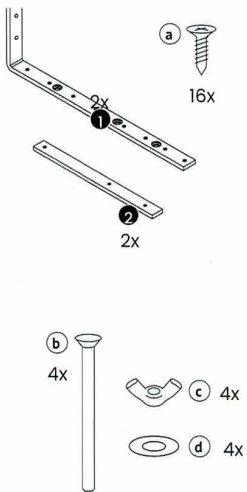
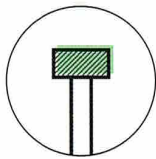
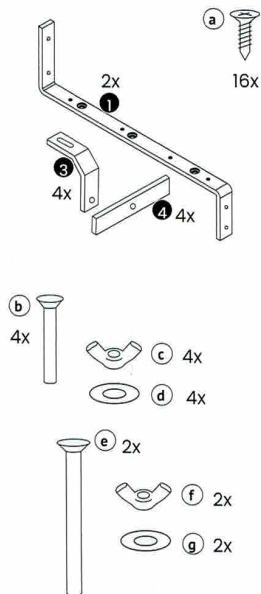
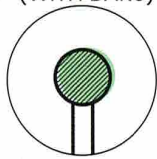


BALKONBAR

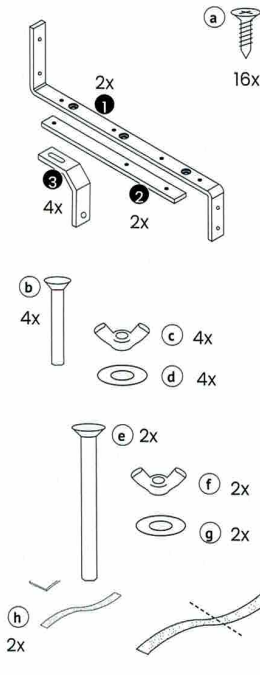
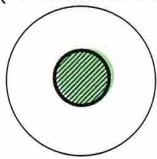
RECTANGULAR



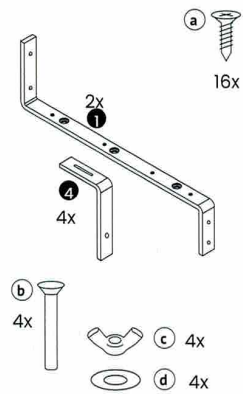
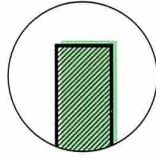
ROUND (WITH BARS)



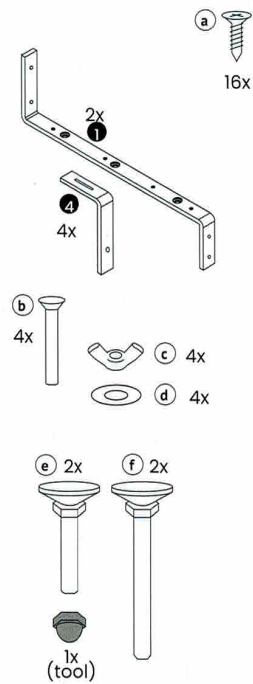
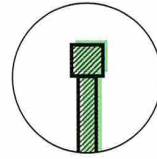
ROUND (WITHOUT BARS)



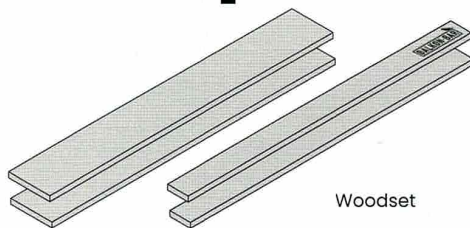
WALL



GLASS



4

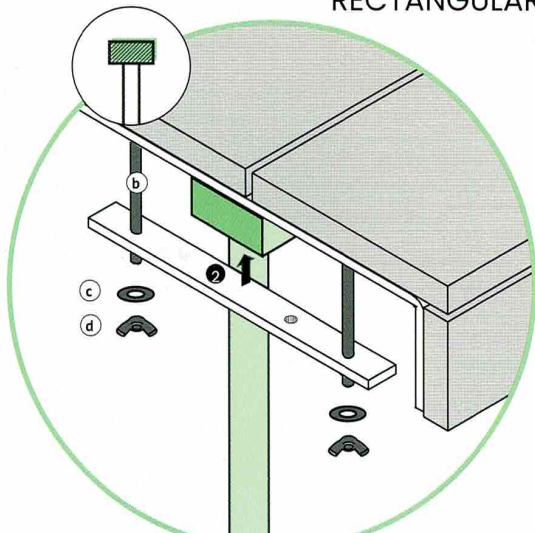


Woodset

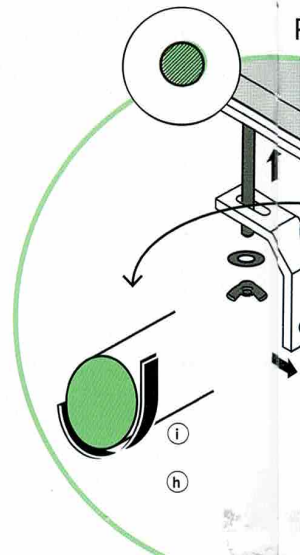
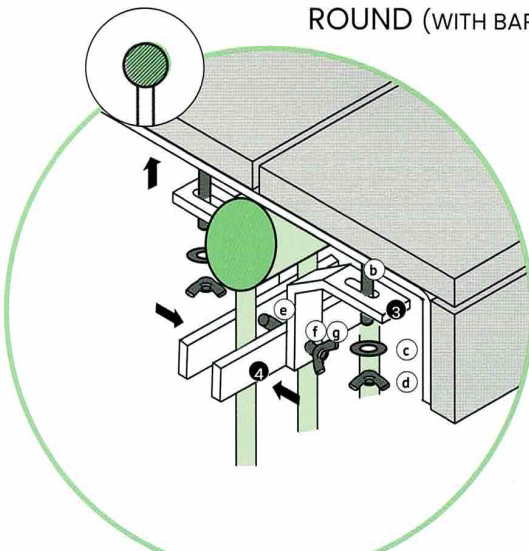


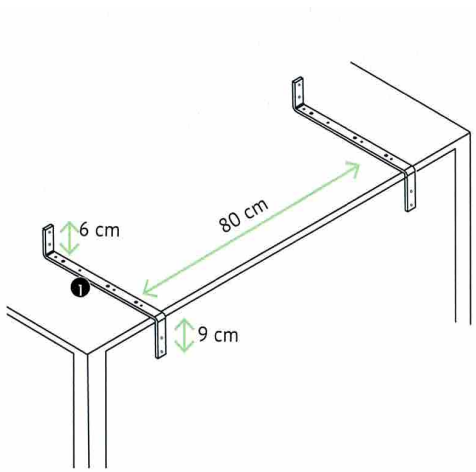
TOOLS NEEDED

RECTANGULAR



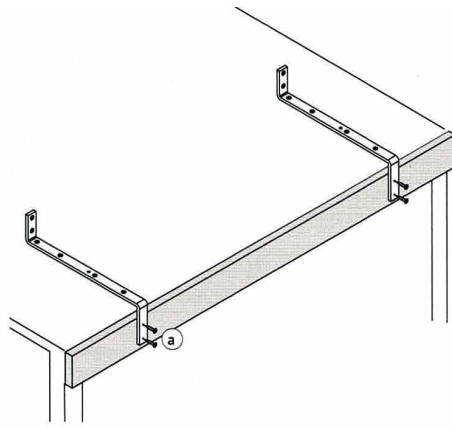
ROUND (WITH BARS)





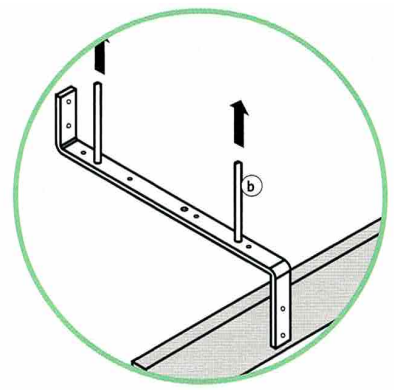
Use a table to position the brackets

1



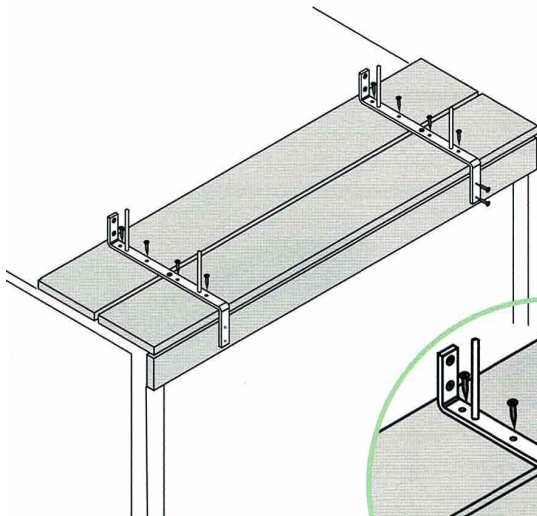
Mount the small plank (without the logo)

2



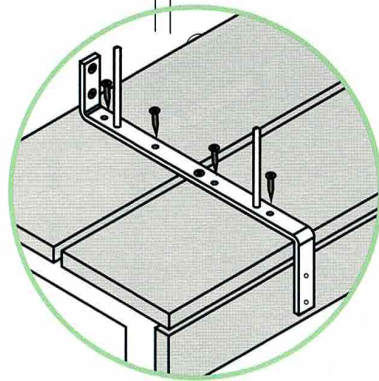
Lift the bracket and place the screws

3



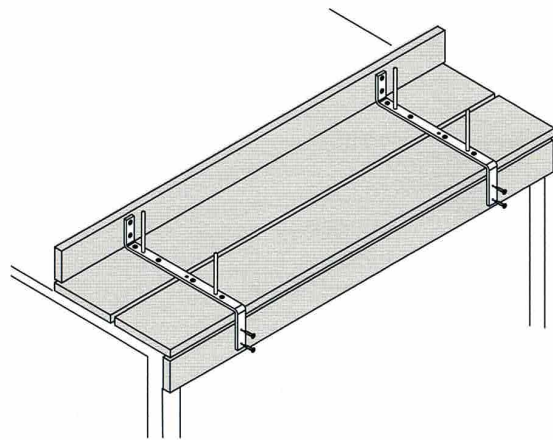
Mount the two broad planks

3



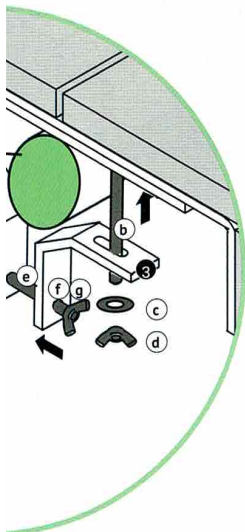
Mount the small plank (with the logo)

4

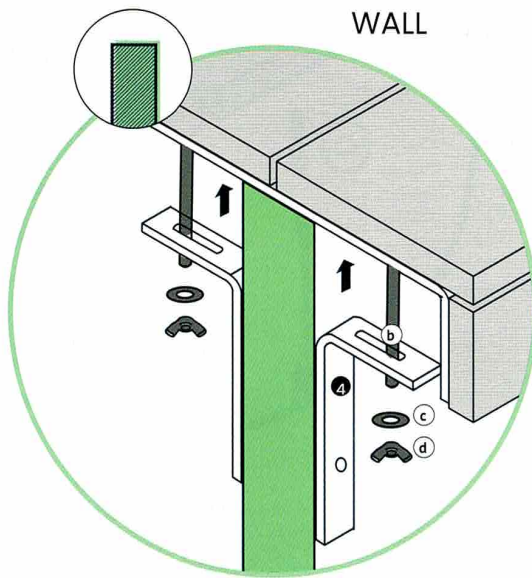


5

ROUND (WITHOUT BARS)



WALL



GLASS

