



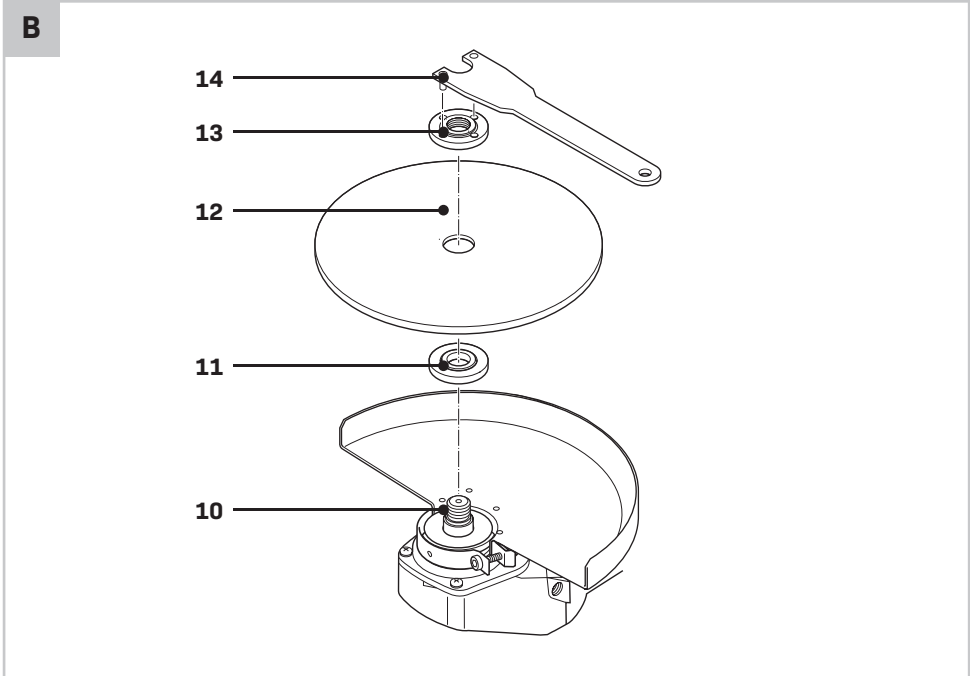
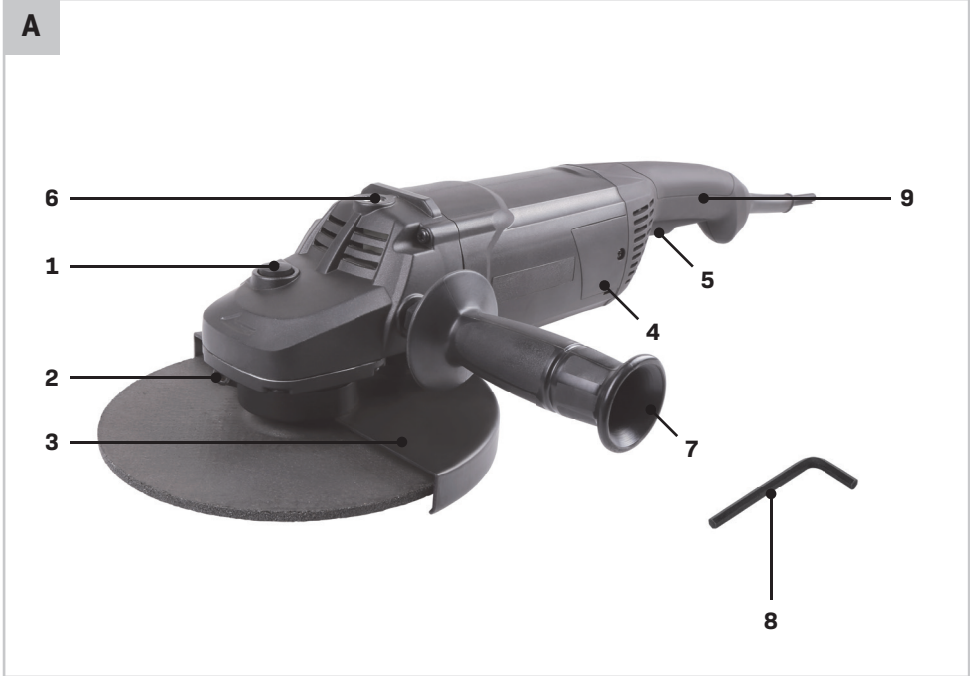
VONROC®

BUILD YOUR FUTURE

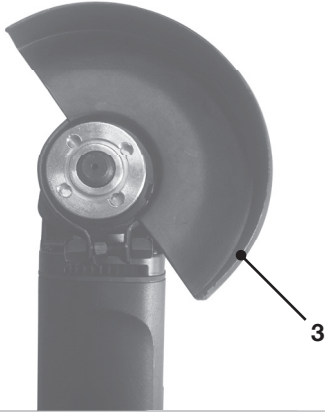
ANGLE GRINDER AG506AC



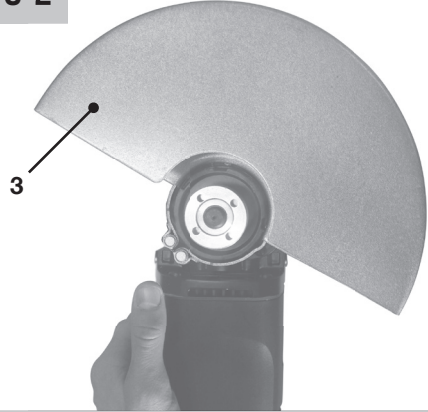
| | | |
|-----------|---|----|
| EN | Original Instructions | 05 |
| DE | Übersetzung Der Originalbetriebsanleitung | 12 |
| NL | Vertaling van de oorspronkelijke gebruiksaanwijzing | 20 |
| FR | Traduction de la notice originale | 28 |
| ES | Traducción del manual original | 36 |
| IT | Traduzione delle istruzioni originali | 43 |
| SV | Översättning av bruksanvisning i original | 51 |
| DA | Oversættelse af den originale brugsanvisning | 57 |
| PL | Tłumaczenie instrukcji oryginalnej | 64 |
| RO | Traducere a instrucțiunilor originale | 72 |
| PT | Tradução do manual original | 80 |
| HU | Eredeti használati utasítás fordítása | 88 |
| CS | Překlad původního návodu k používání | 95 |



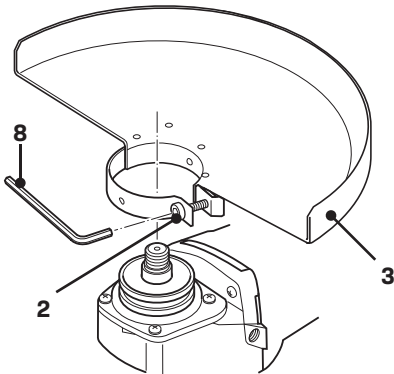
C-1



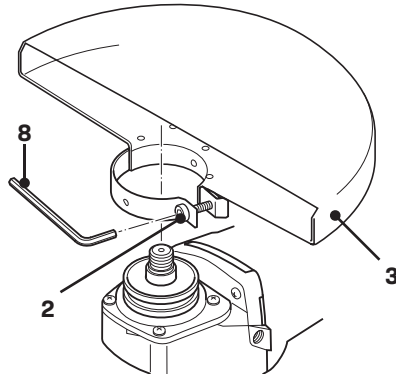
C-2



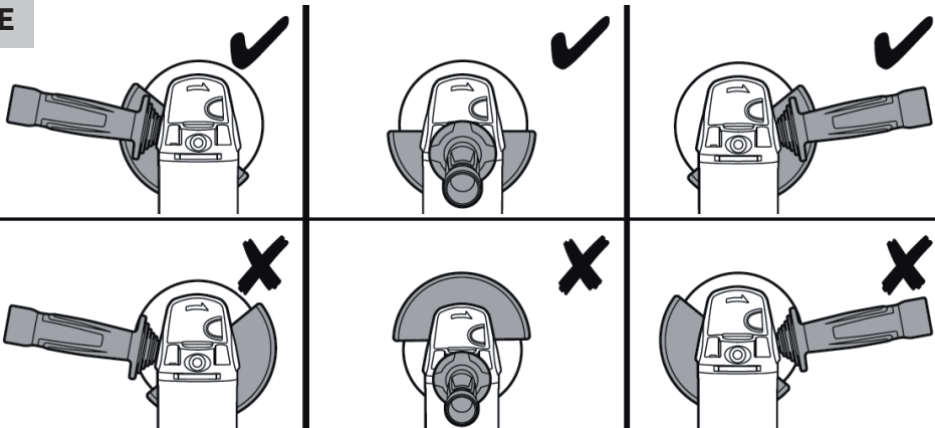
D-1

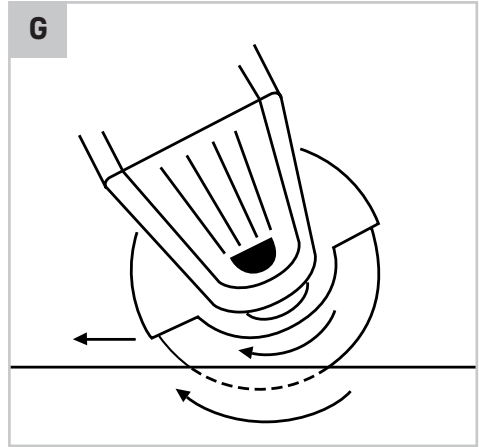
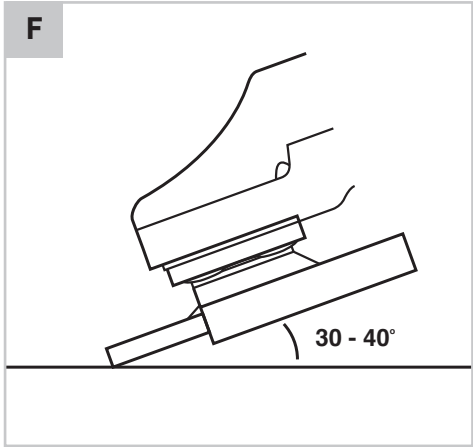


D-2



E





1. SAFETY INSTRUCTIONS

Read the enclosed safety warnings, the additional safety warnings and the instructions. Failure to follow the safety warnings and the instructions may result in electric shock, fire and/or serious injury. Save the safety warnings and the instructions for future reference.

The following symbols are used in the user manual or on the product:



Read the user manual.



Denotes risk of personal injury, loss of life or damage to the tool in case of non-observance of the instructions in this manual.



Risk of flying objects. Keep bystanders away from the work area.



Risk of electric shock.



Immediately remove the mains plug from the mains if the mains cable becomes damaged and during cleaning and maintenance.



Wear safety goggles.



Wear hearing protection.



Wear safety gloves.



Do not press the spindle lock button while the motor is running.



Risk of fire.



Class II machine - Double insulation - You don't need any earthed plug.



Do not dispose of the product in unsuitable containers.



The product is in accordance with the applicable safety standards in the European directives.

GENERAL POWER TOOL SAFETY WARNINGS



WARNING! Read all safety warnings and all instructions. Failure to follow the warnings and instructions may result in electric shock, fire and/or serious injury.

Save all warnings and instructions for future reference.

The term "power tool" in the warnings refers to your mains-operated (corded) power tool or battery-operated (cordless) power tool.

1) Work area safety

- a) **Keep the work area clean and well lit.** Cluttered or dark areas invite accidents.
- b) **Do not operate power tools in explosive atmospheres, such as in the presence of flammable liquids, gases or dust.** Power tools create sparks which may ignite the dust or fumes.
- c) **Keep children and bystanders away while operating a power tool.** Distractions can cause you to lose control.

2) Electrical safety

- a) **Power tool plugs must match the outlet. Never modify the plug in any way. Do not use any adapter plugs with earthed (grounded) power tools.** Unmodified plugs and matching outlets will reduce risk of electric shock.
- b) **Avoid body contact with earthed or grounded surfaces, such as pipes, radiators, ranges and refrigerators.** There is an increased risk of electric shock if your body is earthed or grounded.
- c) **Do not expose power tools to rain or wet conditions.** Water entering a power tool will increase the risk of electric shock.
- d) **Do not abuse the cord. Never use the cord for carrying, pulling or unplugging the power tool. Keep cord away from heat, oil, sharp edges or moving parts.** Damaged or entangled cords increase the risk of electric shock.
- e) **When operating a power tool outdoors, use an extension cord suitable for outdoor use.** Use of a cord suitable for outdoor use reduces the risk of electric shock.
- f) **If operating a power tool in a damp location is unavoidable, use a residual current device (RCD) protected supply.** Use of an RCD reduces the risk of electric shock.

3) Personal safety

- a) **Stay alert, watch what you are doing and use common sense when operating a power tool. Do not use a power tool while you are tired or under the influence of drugs, alcohol or medication.** A moment of inattention while operating power tools may result in serious personal injury.
 - b) **Use personal protective equipment. Always wear eye protection.** Protective equipment such as dust mask, non-skid safety shoes, hard hat, or hearing protection used for appropriate conditions will reduce personal injuries.
 - c) **Prevent unintentional starting. Ensure the switch is in the off-position before connecting to power source and/or battery pack, picking up or carrying the tool.** Carrying power tools with your finger on the switch or energising power tools that have the switch on invites accidents.
 - d) **Remove any adjusting key or wrench before turning the power tool on.** A wrench or a key left attached to a rotating part of the power tool may result in personal injury.
 - e) **Do not overreach. Keep proper footing and balance at all times.** This enables better control of the power tool in unexpected situations.
 - f) **Dress properly. Do not wear loose clothing or jewellery. Keep your hair, clothing and gloves away from moving parts.** Loose clothes, jewellery or long hair can be caught in moving parts.
 - g) **If devices are provided for the connection of dust extraction and collection facilities, ensure these are connected and properly used.** Use of dust collection can reduce dust related hazards.
 - h) **Do not let familiarity gained from frequent use of tools allow you to become complacent and ignore tool safety principles.** A careless action can cause severe injury within a fraction of a second.
- 4) Power tool use and care**
- a) **Do not force the power tool. Use the correct power tool for your application.** The correct power tool will do the job better and safer at the rate for which it was designed.
 - b) **Do not use the power tool if the switch does not turn it on and off.** Any power tool that cannot be controlled with the switch is dangerous and must be repaired.
- c) **Disconnect the plug from the power source and/or the battery pack from the power tool before making any adjustments, changing accessories, or storing power tools.** Such preventive safety measures reduce the risk of starting the power tool accidentally.
 - d) **Store idle power tools out of the reach of children and do not allow persons unfamiliar with the power tool or these instructions to operate the power tool.** Power tools are dangerous in the hands of untrained users.
 - e) **Maintain power tools. Check for misalignment or binding of moving parts, breakage of parts and any other condition that may affect the power tool's operation. If damaged, have the power tool repaired before use.** Many accidents are caused by poorly maintained power tools.
 - f) **Keep cutting tools sharp and clean.** Properly maintained cutting tools with sharp cutting edges are less likely to bind and are easier to control.
 - g) **Use the power tool, accessories and tool bits etc. in accordance with these instructions, taking into account the working conditions and the work to be performed.** Use of the power tool for operations different from those intended could result in a hazardous situation.
 - h) **Keep handles and grasping surfaces dry, clean and free from oil and grease.** Slippery handles and grasping surfaces do not allow for safe handling and control of the tool in unexpected situations.
- 5) Service**
- a) **Have your power tool serviced by a qualified repair person using only identical replacement parts.** This will ensure that the safety of the power tool is maintained.

SAFETY WARNINGS COMMON FOR GRINDING OR ABRASIVE CUTTING-OFF OPERATIONS

- a) **This power tool is intended to function as a grinder tool. Read all safety warnings, instructions, illustrations and specifications provided with this power tool.** Failure to follow all instructions listed below may result in electric shock, fire and/or serious injury.
- b) **Operations such as sanding, wire brushing, polishing are not recommended to be performed with this power tool.** Operations for which the power tool was not designed may create a hazard and cause personal injury.

- c) **Do not use accessories which are not specifically designed and recommended by the tool manufacturer.** Just because the accessory can be attached to your power tool, it does not assure safe operation.
- d) **The rated speed of the accessory must be at least equal to the maximum speed marked on the power tool.** Accessories running faster than their rated speed can break and fly apart.
- e) **The outside diameter and the thickness of your accessory must be within the capacity rating of your power tool.** Incorrectly sized accessories cannot be adequately guarded or controlled.
- f) **Threaded mounting of accessories must match the grinder spindle thread. For accessories mounted by flanges, the arbour hole of the accessory must fit the locating diameter of the flange.** Accessories that do not match the mounting hardware of the power tool will run out of balance, vibrate excessively and may cause loss of control.
- g) **Do not use a damaged accessory. Before each use inspect the accessory such as abrasive wheels for chips and cracks, backing pad for cracks, tear or excess wear, wire brush for loose or cracked wires. If power tool or accessory is dropped, inspect for damage or install an undamaged accessory. After inspecting and installing an accessory, position yourself and bystanders away from the plane of the rotating accessory and run the power tool at maximum no-load speed for one minute.** Damaged accessories will normally break apart during this test time.
- h) **Wear personal protective equipment. Depending on application, use face shield, safety goggles or safety glasses. As appropriate, wear dust mask, hearing protectors, gloves and workshop apron capable of stopping small abrasive or workpiece fragments.** The eye protection must be capable of stopping flying debris generated by various operations. The dust mask or respirator must be capable of filtrating particles generated by your operation. Prolonged exposure to high intensity noise may cause hearing loss.
- i) **Keep bystanders a safe distance away from work area. Anyone entering the work area must wear personal protective equipment.** Fragments of workpiece or of a broken accessory may fly away and cause injury beyond immediate area of operation.
- j) **Hold the power tool by insulated gripping surfaces only, when performing an operation where the cutting accessory may contact hidden wiring or its own cord.** Cutting accessory contacting a “live” wire may make exposed metal parts of the power tool “live” and could give the operator an electric shock.
- k) **Position the cord clear of the spinning accessory.** If you lose control, the cord may be cut or snagged and your hand or arm may be pulled into the spinning accessory.
- l) **Never lay the power tool down until the accessory has come to a complete stop.** The spinning accessory may grab the surface and pull the power tool out of your control.
- m) **Do not run the power tool while carrying it at your side.** Accidental contact with the spinning accessory could snag your clothing, pulling the accessory into your body.
- n) **Regularly clean the power tool's air vents.** The motor's fan will draw the dust inside the housing and excessive accumulation of powdered metal may cause electrical hazards.
- o) **Do not operate the power tool near flammable materials.** Sparks could ignite these materials.
- p) **Do not use accessories that require liquid coolants.** Using water or other liquid coolants may result in electrocution or shock.

Kickback and Related Warnings

Kickback is a sudden reaction to a pinched or snagged rotating wheel, backing pad, brush or any other accessory. Pinching or snagging causes rapid stalling of the rotating accessory which in turn causes the uncontrolled power tool to be forced in the direction opposite of the accessory's rotation at the point of the binding. For example, if an abrasive wheel is snagged or pinched by the workpiece, the edge of the wheel that is entering into the pinch point can dig into the surface of the material causing the wheel to climb out or kick out. The wheel may either jump toward or away from the operator, depending on direction of the wheel's movement at the point of pinching. Abrasive wheels may also break under these conditions. Kickback is the result of power tool misuse and/or incorrect operating procedures or conditions and can be avoided by taking proper precautions as given below.

- a) **Maintain a firm grip on the power tool and position your body and arm to allow you to resist**

kickback forces. Always use auxiliary handle, if provided, for maximum control over kickback or torque reaction during start-up. The operator can control torque reactions or kickback forces, if proper precautions are taken.

- b) **Never place your hand near the rotating accessory.** Accessory may kickback over your hand.
- c) **Do not position your body in the area where power tool will move if kickback occurs.** Kickback will propel the tool in direction opposite to the wheel's movement at the point of snagging.
- d) **Use special care when working corners, sharp edges etc. Avoid bouncing and snagging the accessory.** Corners, sharp edges or bouncing have a tendency to snag the rotating accessory and cause loss of control or kickback.
- e) **Do not attach a saw chain woodcarving blade or toothed saw blade.** Such blades create frequent kickback and loss of control.

SAFETY WARNINGS SPECIFIC FOR GRINDING AND ABRASIVE CUTTING-OFF OPERATIONS

- a) **Use only wheel types that are recommended for your power tool and the specific guard designed for the selected wheel.** Wheels for which the power tool was not designed cannot be adequately guarded and are unsafe.
- b) **The grinding surface of centre depressed wheels must be mounted below the plane of the guard lip.** An improperly mounted wheel that projects through the plane of the guard lip cannot be adequately protected.
- c) **The guard must be securely attached to the power tool and positioned for maximum safety, so the least amount of wheel is exposed towards the operator.** The guard helps to protect the operator from broken wheel fragments, accidental contact with wheel and sparks that could ignite clothing.
- d) **Wheels must be used only for recommended applications. For example: do not grind with the side of cut-off wheel.** Abrasive cut-off wheels are intended for peripheral grinding, side forces applied to these wheels may cause them to shatter.
- e) **Always use undamaged wheel flanges that are of correct size and shape for your selected wheel.** Proper wheel flanges support the wheel thus reducing the possibility of wheel breakage. Flanges for cut-off wheels may be different from grinding wheel flanges.

- f) **Do not use worn down wheels from larger power tools.** Wheel intended for larger power tool is not suitable for the higher speed of a smaller tool and may burst.

ADDITIONAL SAFETY WARNINGS SPECIFIC FOR ABRASIVE CUTTING-OFF OPERATIONS



Cut-off operations are only suitable with a special protection guard (not included) Fig. C2 - D2.

- a) **Do not "jam" the cut-off wheel or apply excessive pressure. Do not attempt to make an excessive depth of cut.** Overstressing the wheel increases the loading and susceptibility to twisting or binding of the wheel in the cut and the possibility of kickback or wheel breakage.
- b) **Do not position your body in line with and behind the rotating wheel.** When the wheel, at the point of operation, is moving away from your body, the possible kickback may propel the spinning wheel and the power tool directly at you.
- c) **When wheel is binding or when interrupting a cut for any reason, switch off the power tool and hold the power tool motionless until the wheel comes to a complete stop. Never attempt to remove the cut-off wheel from the cut while the wheel is in motion otherwise kickback may occur.** Investigate and take corrective action to eliminate the cause of wheel binding.
- d) **Do not restart the cutting operation in the workpiece. Let the wheel reach full speed and carefully re-enter the cut.** The wheel may bind, walk up or kickback if the power tool is restarted in the workpiece.
- e) **Support panels or any oversized workpiece to minimize the risk of wheel pinching and kickback. Large workpieces tend to sag under their own weight.** Supports must be placed under the workpiece near the line of cut and near the edge of the workpiece on both sides of the wheel.
- f) **Use extra caution when making a "pocket cut" into existing walls or other blind areas.** The protruding wheel may cut gas or water pipes, electrical wiring or objects that can cause kickback.

Electrical safety



Always check that the voltage of the power supply corresponds to the voltage on the rating plate.

- Do not use the machine if the mains cable or the mains plug is damaged.
- Only use extension cables that are suitable for the power rating of the machine with a minimum thickness of 1.5 mm². If you use an extension cable reel, always fully unroll the cable.
- If the supply cord of this power tool is damaged, it must be replaced by a specially prepared supply cord available through the service organization.

2. MACHINE INFORMATION

Intended use

Your angle grinder has been designed for grinding masonry and steel materials without the use of water. For cutting, a special protection guard must be used (not included). Fig. D2.



Not suitable for construction site usage.

TECHNICAL SPECIFICATIONS

| Model No. | AG506AC |
|--|--|
| Mains voltage | 220-240V~ |
| Mains frequency | 50/60Hz |
| Power input | 2600W |
| No-load speed | 6500 /min |
| Grinding disc | |
| Diameter: | 230 mm |
| Bore: | 22.2 mm |
| Spindle thread | M14 |
| Weight | 6.7 kg |
| Sound pressure level L _{PA} | 96.1 dB(A), K=3dB(A) |
| Acoustic power level L _{WA} | 107.1 dB(A), K=3dB(A) |
| Vibration "Surface grinding" a _{h,AG} | 7.86 m/s ² , K=1.5 m/s ² |



Wear hearing protection.

Vibration level

The vibration emission level stated in this instruction manual has been measured in accordance with a standardized test given in EN 60745-1 and EN 60745-2-3; it may be used to compare one tool with another and as a preliminary assessment of exposure to vibration when using the tool for the applications mentioned.

- the vibration emission during actual use of the power tool can differ from the declared total value depending on the ways in which the tool is used;
- need to identify safety measures to protect the operator that are based on an estimation of exposure in the actual conditions of use (taking account of all parts of the operating cycle such as the times when the tool is switched off and when it is running idle in addition to the trigger time).

Protect yourself against the effects of vibration by maintaining the tool and its accessories, keeping your hands warm, and organizing your work patterns.

DESCRIPTION

The numbers in the text refer to the diagrams on page 2-4.

1. Spindle lock button
2. Allen screw
3. Protection guard
4. Carbon brush cover
5. On/Off switch
6. Side handle connection point
7. Side handle
8. Allen key
9. Rear handle
10. Spindle
11. Mounting flange
12. Wheel disc (not included)
13. Clamping nut
14. Spanner

3. ASSEMBLY



Before assembly, always switch off the machine and remove the mains plug from the mains.

Assembling the protection guard (Fig. C and D)

1. Place the machine on a table with the spindle (10) facing upwards.
2. Place the protection guard (3) over the machine head as shown in Figure C making sure the ridges on the protection guard fall into the notches of the machine head.
3. Turn the protection guard counter clockwise as shown in Figure D.
4. Fix the the allen screw (2) on the guard (3) with the allen key (8).
5. You can adjust the position of the protection guard by releasing the allen screw (2), adjust the guard to the desired position and fixing the allen screw again.



Never attempt to remove the guard.

Mounting and removing the wheel disc (Fig. B)

Do not use the machine without the guard.



Only use sharp and undamaged wheel discs.

Mounting

1. Place the machine on a table with the protection guard (3) facing upwards.
2. Mount the flange (11) onto the spindle (10).
3. Place the wheel disc (13) onto the spindle (10).
4. Keep the spindle lock button (1) pressed and firmly tighten the clamping nut (13) onto the spindle (10) by using the spanner (14).

Removing

1. Place the machine on a table with the protection guard (3) facing upwards.
2. Keep the spindle lock button (1) pressed and loosen the clamping nut (13) using the spanner (14).
3. Remove the wheel disc (12) from the spindle (10).
4. Keep the spindle lock button (1) pressed and firmly tighten the clamping nut (13) using the spanner (14).

Mounting the side handle (Fig. A and E)

- The side handle (7) can be screwed into one of the three side handle connection points (6).

4. OPERATION

Make sure that the work piece is properly supported or fixed.

Switching on and off (Fig. A)

- To switch the machine on, push the switch forward and press the on/off switch (5).
- To switch the machine off, release the On/off switch (5).
- Hold the machine away from the work piece when turning it on and off because the wheel disc could damage the work piece.
- Clamp the work piece firmly or use another method to ensure that it cannot move while working.
- Check the discs regularly. Worn wheel discs have a negative effect on the machine's efficiency. Change to a new wheel disc in good time.

Deburring (Fig. F)

An angle of inclination of 30° to 40° will give the best results when deburring. Move the machine back and forth using light pressure. This will prevent the work piece from discolouring or becoming too hot and will avoid making groves.



Never use abrasive cutting discs for deburring work!

Cutting (Fig. G)

For cutting, a special protection guard must be used (not included).

Maintain firm contact with the work piece to prevent vibration and do not tilt or apply pressure and when cutting. Use moderate pressure when working, appropriate to the material that is being worked on. Do not slow down wheel discs by applying sideways counter pressure. The direction in which you want to cut is important. The machine must always work against the direction of the cut; so never move the machine in the other direction! There is the risk that the machine will catch in the cut causing kickback and that you will lose control.

Hints for optimum use

- Clamp the work piece. Use a clamping device for small work pieces.
- Hold the machine with both hands.
- Switch on the machine.
- Wait until the machine has reached full speed.
- Place the wheel disc on the work piece.
- Slowly move the machine along the work piece, firmly pressing the wheel disc against the work piece.
- Do not apply too much pressure on the machine. Let the machine do the work.
- Switch off the machine and wait for the machine to come to a complete standstill before putting the machine down.

5. MAINTENANCE

Before cleaning and maintenance, always switch off the machine and remove the mains plug from the mains.

Clean the machine casings regularly with a soft cloth, preferably after each use. Make sure that the ventilation openings are free of dust and dirt. Remove very persistent dirt using a soft cloth moistened with soapsuds. Do not use any solvents such as gasoline, alcohol, ammonia, etc. Chemicals such as these will damage the synthetic components.

ENVIRONMENT

Faulty and/or discarded electrical or electronic apparatus have to be collected at the appropriate recycling locations.

Only for EC countries

Do not dispose of power tools into domestic waste. According to the European Guideline 2012/19/EU for Waste Electrical and Electronic Equipment and its implementation into national right, power tools that are no longer usable must be collected separately and disposed of in an environmentally friendly way.

WARRANTY

VONROC products are developed to the highest quality standards and are guaranteed free of defects in both materials and workmanship for the period lawfully stipulated starting from the date of

original purchase. Should the product develop any failure during this period due to defective material and/or workmanship then contact VONROC directly. The following circumstances are excluded from this guarantee:

- Repairs and or alterations have been made or attempted to the machine by unauthorized service centers;
- Normal wear and tear;
- The tool has been abused, misused or improperly maintained;
- Non-original spare parts have been used.

This constitutes the sole warranty made by company either expressed or implied. There are no other warranties expressed or implied which extend beyond the face hereof, herein, including the implied warranties of merchantability and fitness for a particular purpose. In no event shall VONROC be liable for any incidental or consequential damages. The dealers remedies shall be limited to repair or replacement of nonconforming units or parts.

The product and the user manual are subject to change. Specifications can be changed without further notice.

1. SICHERHEITSANWEISUNGEN

Lesen Sie die beiliegenden Sicherheitsanweisungen, die zusätzlichen Sicherheitsanweisungen sowie diese Bedienungsanleitung sorgfältig durch. Bei Nichtbeachten der Sicherheitsanweisungen und der Bedienungsanleitung kann es zu einem Stromschlag, einem Brand und/oder schweren Verletzungen kommen. Bewahren Sie die Sicherheitsanweisungen und die Bedienungsanleitung zur künftigen Bezugnahme sicher auf.

Folgende Symbole werden im Benutzerhandbuch oder auf dem Produkt verwendet:



Lesen Sie das Benutzerhandbuch.



Bedeutet, dass bei Nichtbeachtung der Anweisungen in dieser Anleitung Verletzungen, Tod oder Beschädigung des Werkzeugs die Folge sein können.



Gefahr von herumfliegenden Gegenständen. Halten Sie Unbeteiligte vom Arbeitsbereich fern.



Stromschlagrisiko.



Ziehen Sie sofort den Netzstecker aus der Steckdose, falls das Netzkabel beschädigt wird sowie bei der Reinigung und Wartung.



Tragen Sie eine Schutzbrille.



Tragen Sie einen Gehörschutz.



Tragen Sie Schutzhandschuhe.



Drücken Sie nicht auf den Spindelarretierungs-knopf, während der Motor läuft.



Brandgefahr.



Werkzeug/Gerat der Schutzklasse II - Schutzisoliert - kein Schutzkontaktanschluss erforderlich.



Entsorgen Sie das Produkt nicht in hierfür nicht vorgesehenen Abfallbehältern.



Das Produkt entspricht den geltenden Sicherheitsstandards in den europäischen Richtlinien.

ALLGEMEINE SICHERHEITSHINWEISE



WARNUNG! Lesen Sie alle Sicherheitshinweise, Anweisungen, Gebildungen und technischen Daten, mit denen dieses Elektrowerkzeug versehen ist. Versäumnisse bei der Einhaltung der nachfolgenden Anweisungen können elektrischen Schlag, Brand und/oder schwere Verletzungen verursachen.

Bewahren Sie alle Sicherheitshinweise und Anweisungen für die Zukunft auf.

Der in den Sicherheitshinweisen verwendete Begriff „Elektrowerkzeug“ bezieht sich auf netzbetriebene Elektrowerkzeuge (mit Netzleitung) oder auf akkubetriebene Elektrowerkzeuge (ohne Netzleitung).

1) Arbeitsplatzsicherheit

- Halten Sie Ihren Arbeitsbereich sauber und gut beleuchtet.** Unordnung oder unbeleuchtete Arbeitsbereiche können zu Unfällen führen.
- Arbeiten Sie mit dem Elektrowerkzeug nicht in explosionsgefährdeter Umgebung, in der sich brennbare Flüssigkeiten, Gase oder Stäube befinden.** Elektrowerkzeuge erzeugen Funken, die den Staub oder die Dämpfe entzünden können.
- Halten Sie Kinder und andere Personen während der Benutzung des Elektrowerkzeugs fern.** Bei Ablenkung können Sie die Kontrolle über das Elektrowerkzeug verlieren.

2) Elektrische Sicherheit

- Der Anschlussstecker des Elektrowerkzeugs muss in die Steckdose passen. Der Stecker darf in keiner Weise verändert werden. Verwenden Sie keine Adapterstecker gemeinsam mit schutzgeerdeten Elektrowerkzeugen.** Unveränderte Stecker und passende Steckdosen verringern das Risiko eines elektrischen Schlages.
- Vermeiden Sie Körperkontakt mit geerdeten Oberflächen wie von Rohren, Heizungen, Herden und Kühlschränken.** Es besteht ein erhöhtes Risiko durch elektrischen Schlag, wenn Ihr Körper geerdet ist.
- Halten Sie Elektrowerkzeuge von Regen oder Nässe fern.** Das Eindringen von Wasser in ein Elektrowerkzeug erhöht das Risiko eines elektrischen Schlages.

- d) **Zweckentfremden Sie die Anschlussleitung nicht, um das Elektrowerkzeug zu tragen, aufzuhängen oder um den Stecker aus der Steckdose zu ziehen. Halten Sie die Anschlussleitung fern von Hitze, Öl, scharfen Kanten oder sich bewegenden Teilen.** Beschädigte oder verwickelte Anschlussleitungen erhöhen das Risiko eines elektrischen Schlages.
- e) **Wenn Sie mit einem Elektrowerkzeug im Freien arbeiten, verwenden Sie nur Verlängerungsleitungen, die auch für den Außenbereich geeignet sind.** Die Anwendung einer für den Außenbereich geeigneten Verlängerungsleitung verringert das Risiko eines elektrischen Schlages.
- f) **Wenn der Betrieb des Elektrowerkzeugs in feuchter Umgebung nicht vermeidbar ist, verwenden Sie einen Fehlerstromschutzschalter.** Der Einsatz eines Fehlerstromschutzschalters vermindert das Risiko eines elektrischen Schlages.
- 3) Sicherheit von Personen**
- a) **Seien Sie aufmerksam, achten Sie darauf, was Sie tun, und gehen Sie mit Vernunft an die Arbeit mit einem Elektrowerkzeug. Benutzen Sie kein Elektrowerkzeug, wenn Sie müde sind oder unter dem Einfluss von Drogen, Alkohol oder Medikamenten stehen.** Ein Moment der Unachtsamkeit beim Gebrauch des Elektrowerkzeugs kann zu ernsthaften Verletzungen führen.
- b) **Tragen Sie persönliche Schutzausrüstung und immer eine Schutzbrille.** Das Tragen persönlicher Schutzausrüstung, wie Staubmaske, rutschfeste Sicherheitsschuhe, Schutzhelm oder Gehörschutz, je nach Art und Einsatz des Elektrowerkzeugs, verringert das Risiko von Verletzungen.
- c) **Vermeiden Sie eine unbeabsichtigte Inbetriebnahme. Vergewissern Sie sich, dass das Elektrowerkzeug ausgeschaltet ist, bevor Sie es an die Stromversorgung und/oder den Akku anschließen, es aufnehmen oder tragen.** Wenn Sie beim Tragen des Elektrowerkzeugs den Finger am Schalter haben oder das Elektrowerkzeug eingeschaltet an die Stromversorgung anschließen, kann dies zu Unfällen führen.
- d) **Entfernen Sie Einstellwerkzeuge oder Schraubenschlüssel, bevor Sie das Elektrowerkzeug einschalten.** Ein Werkzeug oder Schlüssel, der sich in einem drehenden Teil des Elektrowerkzeugs befindet, kann zu Verletzungen führen.
- e) **Vermeiden Sie eine abnormale Körperhaltung. Sorgen Sie für einen sicheren Stand und halten Sie jederzeit das Gleichgewicht.** Dadurch können Sie das Elektrowerkzeug in unerwarteten Situationen besser kontrollieren.
- f) **Tragen Sie geeignete Kleidung. Tragen Sie keine weite Kleidung oder Schmuck. Halten Sie Haare und Kleidung fern von sich bewegenden Teilen.** Lockere Kleidung, Schmuck oder lange Haare können von sich bewegenden Teilen erfasst werden.
- g) **Wenn Staubabsaug- und -auffangeinrichtungen montiert werden können, sind diese anzuschließen und richtig zu verwenden.** Verwendung einer Staubabsaugung kann Gefährdungen durch Staub verringern.
- h) **Wiegen Sie sich nicht in falscher Sicherheit und setzen Sie sich nicht über die Sicherheitsregeln für Elektrowerkzeuge hinweg, auch wenn Sie nach vielfachem Gebrauch mit dem Elektrowerkzeug vertraut sind.** Achtloses Handeln kann binnen Sekundenbruchteilen zu schweren Verletzungen führen.
- 4) Verwendung und Behandlung des Elektrowerkzeugs**
- a) **Überlasten Sie das Elektrowerkzeug nicht. Verwenden Sie für Ihre Arbeit das dafür bestimmte Elektrowerkzeug.** Mit dem passenden Elektrowerkzeug arbeiten Sie besser und sicherer im angegebenen Leistungsbereich.
- b) **Benutzen Sie kein Elektrowerkzeug, dessen Schalter defekt ist.** Ein Elektrowerkzeug, das sich nicht mehr ein- oder ausschalten lässt, ist gefährlich und muss repariert werden.
- c) **Ziehen Sie den Stecker aus der Steckdose und/oder entfernen Sie einen abnehmbaren Akku, bevor Sie Geräteeinstellungen vornehmen, Einsatzwerkzeugteile wechseln oder das Elektrowerkzeug weglegen.** Diese Vorsichtsmaßnahme verhindert den unbeabsichtigten Start des Elektrowerkzeugs.
- d) **Bewahren Sie unbenutzte Elektrowerkzeuge außerhalb der Reichweite von Kindern auf. Lassen Sie keine Personen das Elektrowerkzeug benutzen, die mit diesem nicht vertraut sind oder diese Anweisungen nicht gelesen haben.** Elektrowerkzeuge sind gefährlich, wenn sie von unerfahrenen Personen benutzt werden.
- e) **Pflegen Sie Elektrowerkzeuge und Einsatzwerkzeug mit Sorgfalt. Kontrollieren Sie, ob bewegliche Teile einwandfrei funktionieren und nicht klemmen, ob Teile gebrochen oder so beschä-**

- dig sind, dass die Funktion des Elektrowerkzeugs beeinträchtigt ist. Lassen Sie beschädigte Teile vor dem Einsatz des Elektrowerkzeuges reparieren. Viele Unfälle haben ihre Ursache in schlecht gewarteten Elektrowerkzeugen.
- f) **Halten Sie Schneidwerkzeuge scharf und sauber.** Sorgfältig gepflegte Schneidwerkzeuge mit scharfen Schneidkanten verkleben sich weniger und sind leichter zu führen.
 - g) **Verwenden Sie Elektrowerkzeug, Zubehör, Einsatzwerkzeuge usw. entsprechend diesen Anweisungen. Berücksichtigen Sie dabei die Arbeitsbedingungen und die auszuführende Tätigkeit.** Der Gebrauch von Elektrowerkzeugen für andere als die vorgesehenen Anwendungen kann zu gefährlichen Situationen führen.
 - h) **Halten Sie Griffe und Griffflächen trocken, sauber und frei von Öl und Fett.** Rutschige Griffe und Griffflächen erlauben keine sichere Bedienung und Kontrolle des Elektrowerkzeugs in unvorhergesehenen Situationen.
- 5) **Service**
- a) **Lassen Sie Ihr Elektrowerkzeug nur von qualifiziertem Fachpersonal und nur mit Original-Ersatzteilen reparieren.** Damit wird sichergestellt, dass die Sicherheit des Elektrowerkzeugs erhalten bleibt.

GEMEINSAME SICHERHEITSHINWEISE FÜR DAS SCHLEIFEN UND ABRASIVE TRENNEN

- a) **Dieses Elektrowerkzeug ist als Schleifwerkzeug vorgesehen. Lesen Sie alle Sicherheitshinweise, Anweisungen, Abbildungen und technischen Daten, die mit diesem Elektrowerkzeug geliefert werden.** Das Nichtbeachten einer der im Folgenden aufgeführten Sicherheitsanweisungen kann zu Stromschlag, Feuer und/oder schweren Verletzungen führen.
- b) **Die Durchführung von Arbeiten wie Schmirgeln, Drahtbürsten oder Polieren mit diesem Elektrowerkzeug wird nicht empfohlen.** Arbeiten, für die das Elektrowerkzeug nicht konzipiert ist, können unter Umständen zu Gefahrensituationen und Verletzungen führen.
- c) **Verwenden Sie kein Zubehör, das nicht speziell vom Hersteller entwickelt und empfohlen wurde.** Auch wenn ein Zubehörteil auf das Elektrowerkzeug passt, gewährleistet dies keinen sicheren Betrieb.
- d) **Die Nenndrehzahl des Zubehörteils muss mindestens der auf dem Elektrowerkzeug angegebenen Maximaldrehzahl entsprechen.** Zubehörteile, die mit mehr als Ihrer Nenndrehzahl laufen, können brechen und zerspringen.
- e) **Der Außendurchmesser und die Dicke Ihres Zubehörteils müssen innerhalb der Nennwerte Ihres Elektrowerkzeugs liegen.** Nicht passende Zubehörteile können nicht ordnungsgemäß gesichert oder kontrolliert werden.
- f) **Einsatzwerkzeuge mit Gewindeinsatz müssen genau auf das Gewinde der Schleifspindel passen. Bei Einsatzwerkzeugen, die mittels Flansch montiert werden, muss der Lochdurchmesser des Einsatzwerkzeuges zum Aufnahmedurchmesser des Flansches passen.** Einsatzwerkzeuge, die nicht genau am Elektrowerkzeug befestigt werden, drehen sich ungleichmäßig, vibrieren sehr stark und können zum Verlust der Kontrolle führen.
- g) **Verwenden Sie keine beschädigten Zubehörteile. Prüfen Sie vor jeder Verwendung das Zubehör wie Schleifscheiben auf Absplitterungen und Risse, die Stützteller auf Risse, Sprünge oder übermäßigen Verschleiß und die Drahtbürsten auf lose oder rissige Drähte. Wenn das Elektrowerkzeug oder Zubehör fallen gelassen wird, ist es auf Schäden zu prüfen oder ein unbeschädigtes Zubehörteil zu installieren. Halten Sie sich und Unbeteiligte nach der Überprüfung und Montage eines Zubehörteils von der Rotationsebene des Zubehörs fern und lassen Sie das Elektrowerkzeug eine Minute lang bei maximaler Leerlaufdrehzahl laufen.** Während dieses Prüfzeitraums brechen beschädigte Zubehörteile in der Regel auseinander.
- h) **Tragen Sie persönliche Schutzausrüstung. Verwenden Sie je nach Anwendung einen Gesichtsschutz, eine Schutzbrille oder eine Sicherheitsbrille. Tragen Sie nach Bedarf eine Staubmaske, Gehörschutz, Handschuhe und eine Werkstattschürze zum Schutz vor kleinen Abrieb- oder Werkstückteilen.** Der Augenschutz muss die bei verschiedenen Arbeiten entstehenden fliegenden Trümmerteile abhalten können. Die Staubmaske oder das Atemschutzgerät muss bei der Arbeit entstehende Partikel filtern können. Lang anhaltende Lärmbelastung kann zu Hörverlust führen.
- i) **Halten Sie Unbeteiligte in sicherem Abstand zum Arbeitsbereich. Personen, die den Arbeitsbereich betreten, müssen persönliche**

Schutzkleidung tragen. Werkstückteile oder Teile von beschädigtem Zubehör können sich unter Umständen lösen und auch außerhalb des unmittelbaren Betriebsbereichs zu Verletzungen führen.

- j) **Halten Sie das Elektrowerkzeug ausschließlich an den isolierten Griffflächen, wenn Sie Arbeiten durchführen, bei denen das Schneidwerkzeug in Kontakt mit verborgenen Elektroleitungen oder dem eigenen Netzkabel kommen kann.** Bei Kontakt des Schneidwerkzeugs mit einem stromführenden Kabel wird der Strom an die Metallteile des Elektrowerkzeugs und dadurch an den Bediener weitergeleitet, und der Bediener erleidet einen Stromschlag.
- k) **Halten Sie das Kabel von drehenden Zubehörteilen fern.** Wenn Sie die Kontrolle über das Gerät verlieren, kann das Netzkabel zerschnitten werden oder sich verheddern, und Ihre Hand oder Ihr Arm können in drehende Zubehörteile gezogen werden.
- l) **Legen Sie das Elektrowerkzeug niemals ab, bevor das Zubehör vollständig zum Stillstand gekommen ist.** Die drehenden Zubehörteile können auf der Oberfläche festhängen und das Elektrowerkzeug aus Ihrer Hand reißen.
- m) **Verwenden Sie das Gerät nicht, während Sie es an Ihrer Seite tragen.** Durch unbeabsichtigten Kontakt mit drehenden Zubehörteilen könnten Ihre Kleidung eingeklemmt und das Zubehör zu Ihrem Körper hin gezogen werden.
- n) **Reinigen Sie die Lüftungsschlitze des Elektrowerkzeugs regelmäßig.** Der Lüfter des Motors zieht Staub ins Gehäuse hinein, und die übermäßige Ansammlung von Metallstaub kann zu elektrischen Gefahren führen.
- o) **Arbeiten Sie mit dem Werkzeug nicht in der Nähe von entzündlichen Stoffen.** Diese Stoffe könnten sich durch Funkenbildung entzünden.
- p) **Verwenden Sie kein Zubehör, bei dem flüssige Kühlmittel erforderlich sind.** Die Verwendung von Wasser oder anderen flüssigen Kühlmitteln kann zu Stromschlägen führen.

Warnungen in Verbindung mit Rückschlag

Ein Rückschlag ist eine plötzliche Reaktion darauf, wenn eine drehende Scheibe, ein Stützteller, eine Bürste oder ein anderes Zubehörteil eingeklemmt wird oder sich verheddert. Das Einklemmen oder Verheddern führt zu einem plötzlichen Anhalten des drehenden Zubehörs, was wiederum dazu führt, dass das Elektrowerkzeug sich unkontrolliert entge-

gen der Drehrichtung zum Zeitpunkt des Festklemmens bewegt. Wenn beispielsweise eine Schleifscheibe im Werkstück eingeklemmt wird oder sich verheddert, kann sich die Kante der Scheibe, die in die eingeklemmte Stelle eindringt, in die Oberfläche des Materials graben, wodurch die Schleifscheibe aus dem Schnitt „herausklettert“. Die Scheibe kann dann entweder auf den Bediener zu oder von diesem weg schnellen, je nach Drehrichtung der Scheibe zum Zeitpunkt des Festklemmens. Auch ein Brechen der Schleifscheibe ist unter diesen Umständen möglich. Ein Rückschlag ist das Ergebnis einer unsachgemäßen Bedienung des Elektrowerkzeugs und/oder von nicht ordnungsgemäßen Bedienungsabläufen oder -bedingungen und lässt sich durch Ergreifen der richtigen Vorsichtsmaßnahmen wie im Folgenden angegeben vermeiden.

- a) **Halten Sie das Elektrowerkzeug gut fest und halten Sie Ihren Körper und Arm so, dass Sie Rückschlagkräften widerstehen können. Verwenden Sie immer einen Zusatzhandgriff, falls vorhanden, um bei einem Rückschlag oder bei einem Gegendrehmoment während des Startens maximale Kontrolle über das Elektrowerkzeug zu behalten.** Mit den richtigen Vorsichtsmaßnahmen kann der Bediener auch bei einem Rückschlag oder bei einem Gegendrehmoment während des Startens die Kontrolle über das Gerät behalten.
- b) **Halten Sie unbedingt Ihre Hände von den drehenden Zubehörteilen fern.** Gefahr eines Rückschlags über Ihre Hand.
- c) **Halten Sie Ihren Körper aus dem Bereich fern, in den sich das Elektrowerkzeug bei einem Rückschlag bewegt.** Bei einem Rückschlag wird das Elektrowerkzeug in die entgegengesetzte Richtung zur Scheibenbewegung zum Schleifzeitpunkt getrieben.
- d) **Gehen Sie bei der Bearbeitung von Ecken, scharfen Kanten usw. mit besonderer Vorsicht vor. Vermeiden Sie Sprünge und das Einklemmen des Zubehörs.** Bei Ecken, scharfen Kanten oder Sprüngen kann das drehende Zubehör leicht festklemmen, was zu einem Verlust der Kontrolle oder einem Rückschlag führen kann.
- e) **Verwenden Sie keine Holzklings für Sägeketten oder Sägeblätter.** Solche Klings führen zu häufigen Rückschlägen und Verlusten der Kontrolle über das Elektrowerkzeug.

BESONDERE SICHERHEITSHINWEISE FÜR DAS SCHLEIFEN UND ABRASIVE TRENNEN

- a) **Verwenden Sie nur die für Ihr Elektrowerkzeug empfohlenen Schleifscheiben sowie die für die ausgewählten Schleifscheiben speziell konzipierten Schutzvorrichtungen.** Scheiben, für die das Elektrowerkzeug nicht vorgesehen ist, können nicht ordnungsgemäß gesichert werden und sind daher unsicher.
 - b) **Gekrüpfte Schleifscheiben müssen so montiert werden, dass ihre Schleiffläche nicht über der Ebene des Schutzhaubenrandes hervorsteht.** Eine unsachgemäß montierte Schleifscheibe, die über die Ebene des Schutzhaubenrandes hinausragt, kann nicht ausreichend abgesichert werden.
 - c) **Die Schutzvorrichtung muss sicher am Elektrowerkzeug befestigt und für maximale Sicherheit so positioniert werden, dass nur der geringste Teil der Scheibe dem Bediener zugänglich ist.** Die Schutzvorrichtung dient zum Schutz des Bedieners vor abgebrochenen Scheibenstücken, vor unbeabsichtigtem Kontakt mit der Scheibe und vor Funken, die zu einem Entzünden der Kleidung führen könnten.
 - d) **Die Schleifscheiben dürfen nur für die empfohlenen Anwendungszwecke verwendet werden. Beispiel: Führen Sie keine Schleifarbeiten mit der Seite einer Trennscheibe durch.** Abrasive Trennscheiben sind für das Umfangsschleifen vorgesehen und können durch aufgebrachte Seitenkräfte brechen.
 - e) **Verwenden Sie immer unbeschädigte Scheibenflansche in der richtigen Größe und Form für die gewählte Scheibe. Scheibenflansche in der richtigen Größe stützen die Scheibe und verringern so die Bruchgefahr.** Flansche für Trennscheiben können sich von Flanschen für Schleifscheiben unterscheiden.
 - f) **Verwenden Sie keine abgenutzten Scheiben aus größeren Elektrowerkzeugen.** Für größere Elektrowerkzeuge konstruierte Scheiben sind nicht für die höheren Drehzahlen eines kleineren Werkzeugs geeignet und können zerspringen.
- a) **Blockieren Sie die Trennscheibe nicht und üben Sie keinen übermäßigen Druck aus. Versuchen sie nicht, eine übermäßige Schnitttiefe zu erreichen.** Eine Überlastung der Scheiben führt zu einer höheren Last und einer höheren Anfälligkeit für das Verdrehen und Festsetzen der Scheibe im Schnitt sowie zur Gefahr eines Rückschlags oder Bruchgefahr.
 - b) **Bringen Sie Ihren Körper nicht hinter oder neben die drehende Scheibe.** Wenn die Scheibe sich während des Arbeitens von Ihrem Körper entfernt, kann ein möglicher Rückschlag die drehende Scheibe und das Elektrowerkzeug direkt in Ihre Richtung treiben.
 - c) **Wenn die Scheibe fest sitzt oder das Trennen aus einem beliebigen Grund unterbrochen werden muss, schalten Sie das Elektrowerkzeug aus und halten Sie es bewegungslos, bis die Scheibe vollständig zum Stillstand gekommen ist. Versuchen Sie niemals, die Trennscheibe aus dem Werkstück zu entfernen, während sie noch in Bewegung ist. Dies könnte zu einem Rückschlag führen.** Untersuchen Sie die Ursache des Festsitzens und treffen Sie entsprechende Gegenmaßnahmen.
 - d) **Nehmen Sie den Schneidvorgang außerhalb des Werkstücks wieder auf. Lassen Sie die Scheibe erst die volle Drehzahl erreichen und schneiden Sie dann vorsichtig weiter.** Die Scheibe kann festsitzen, hinaufsteigen oder einen Rückschlag verursachen, wenn der Schneidvorgang im Werkstück wieder aufgenommen wird.
 - e) **Stützen Sie Platten oder übergroße Werkstücke ab, um die Gefahr eines Festklemmens der Scheibe oder eines Rückschlags zu verringern. Große Werkstücke sacken häufig durch ihr Eigengewicht ein.** Die Stützen müssen auf beiden Seiten der Scheibe in der Nähe der Schnittlinie und in der Nähe der Kante unter dem Werkstück platziert werden.
 - f) **Seien Sie bei kleinformatischen Schnitten in bestehenden Wänden oder anderen Blindflächen besonders vorsichtig.** Die herausragende Scheibe kann Gas- oder Wasserleitungen, elektrische Kabel oder Gegenstände anschneiden, die zu einem Rückschlag führen können.

ZUSÄTZLICHE BESONDERE SICHERHEITSHINWEISE FÜR DAS ABRASIVE TRENNEN



Trennarbeiten dürfen nur mit einer besonderen Schutzvorrichtung durchgeführt werden (nicht inbegriffen), Abb. C2 - D2

Elektrische Sicherheit



Achten Sie stets darauf, dass die Spannung der Stromversorgung mit der Spannung auf dem Typenschild übereinstimmt.

- Verwenden Sie die Maschine nicht, wenn das Netzkabel oder der Netzstecker beschädigt ist.
- Verwenden Sie nur Verlängerungskabel, die für die Leistungsaufnahme der Maschine geeignet sind und eine Mindestaderstärke von 1.5 mm² haben. Falls Sie eine Kabeltrommel verwenden, rollen Sie das Kabel immer vollständig ab.
- Wenn das Netzkabel dieses Elektrowerkzeugs beschädigt ist, muss es durch ein speziell vorbereitetes Netzkabel ersetzt werden, das über den Kundendienst erhältlich ist.

2. ANGABEN ZUM WERKZEUG

Verwendungszweck

Ihr Winkelschleifer wurde zum Schleifen von Mauerwerk und Stahl ohne Verwendung von Wasser konstruiert. Zum Trennen muss eine besondere Schutzvorrichtung verwendet werden (nicht inbegriffen). Abb. D2.



Nicht für den Baustelleneinsatz geeignet.

TECHNISCHE DATEN

| | |
|--|--|
| Modellnummer | AG506AC |
| Netzspannung | 220-240V~ |
| Netzfrequenz | 50/60Hz |
| Leistungsaufnahme | 2600W |
| Leerlaufgeschwindigkeit | 6500 /min |
| Schleifscheibe | |
| Durchmesser: | 230 mm |
| Bohrung: | 22,2 mm |
| Spindelgewinde | M14 |
| Gewicht | 6,7 kg |
| Schalldruck L _{PA} | 96,1 dB(A), K=3dB(A) |
| Schallleistung L _{WA} | 107,1 dB(A), K=3dB(A) |
| Vibrationen „Flachschleifen“ a _{h,AG} | 7,86 m/s ² , K=1,5 m/s ² |



Tragen Sie einen Gehörschutz.

Vibrationsintensität

Die in dieser Bedienungsanleitung angegebene Vibrationsintensität wurde mit einem standardisierten Test gemäß EN 60745-1 und EN 60745-2-3; gemessen. Anhand dieser Größe können Werkzeuge miteinander verglichen werden. Außerdem eignet sich diese Größe für eine erste Beurteilung

der Vibrationsbelastung bei Verwendung des Werkzeugs für die angegebenen Anwendungszwecke.

- Die Schwingungsemission bei der tatsächlichen Verwendung des Elektrowerkzeugs kann je nach Art der Verwendung des Werkzeugs vom angegebenen Gesamtwert abweichen;
- Es ist notwendig, Sicherheitsmaßnahmen zum Schutz des Bedieners zu ermitteln, die auf einer Einschätzung der Exposition unter den tatsächlichen Einsatzbedingungen beruhen (dabei sind alle Teile des Betriebszyklus zu berücksichtigen, z. B. die Zeiten, in denen das Werkzeug ausgeschaltet ist und in denen es im Leerlauf läuft, zusätzlich zur Auslösezeit).

Schützen Sie sich vor den Auswirkungen der Vibration durch Wartung des Werkzeugs und des Zubehörs, halten Sie Ihre Hände warm, und organisieren Sie Ihren Arbeitsablauf.

BESCHREIBUNG

Die Ziffern im nachstehenden Text verweisen auf die Abbildungen auf Seite 2-4.

1. Spindelarretierungsknopf
2. Inbusschraube
3. Schutzvorrichtung
4. Kohlebürstenabdeckung
5. Ein-/Ausschalter
6. Seitengriff-Verbindungspunkt
7. Seitengriff
8. Inbusschlüssel
9. Hinterer Griff
10. Spindel
11. Montageflansch
12. Radschleifscheibe (nicht inbegriffen)
13. Spannmutter
14. Schraubenschlüssel

3. MONTAGE



Schalten Sie die Maschine vor der Montage aus und ziehen Sie den Netzstecker aus der Steckdose.

Montage der Schutzvorrichtung (Abb. C und D)

1. Legen Sie das Gerät mit der Spindel (10) nach oben weisend auf einen Tisch.
2. Positionieren Sie die Schutzvorrichtung (3) wie in Abbildung C dargestellt über den oberen Teil des Geräts. Stellen Sie dabei sicher, dass die

Rillen der Schutzvorrichtung in die Einkerbungen des Geräts passen.

3. Drehen Sie die Schutzvorrichtung wie in Abbildung D dargestellt gegen den Uhrzeigersinn
4. Sichern Sie die Schutzvorrichtung (3), indem Sie die Inbusschraube (2) mit dem Inbusschlüssel (8) anziehen.
5. Sie können die Position der Schutzvorrichtung (3) anpassen durch Lösen des Inbusschraubens (2), Einstellen der Schutzvorrichtung auf die gewünschte Position und Anziehen des Inbusschraubens (2).



Verwenden Sie das Gerät niemals ohne Schutzvorrichtung.

Einbau und Ausbau der Radschleifscheibe (Abb. B)



Verwenden Sie die Maschine nicht ohne Schutzvorrichtung.



Verwenden Sie ausschließlich scharfe und unbeschädigte Radschleifscheiben.

Einbau

1. Legen Sie das Gerät mit der Schutzvorrichtung (3) nach obenweisend auf einen Tisch.
2. Bringen Sie den Flansch (11) auf der Spindel (10) an.
3. Platzieren Sie die Radschleifscheibe (12) auf der Spindel (7).
4. Halten Sie den Spindelarretierungsknopf (1) gedrückt, und ziehen Sie die Spannmutter (13) mit dem Schraubenschlüssel (14) fest auf der Spindel (10) an.

Ausbau

1. Legen Sie das Gerät mit der Schutzvorrichtung (3) nach obenweisend auf einen Tisch.
2. Halten Sie den Spindelarretierungsknopf (1) gedrückt, und lösen Sie die Spannmutter (13) mit dem Schraubenschlüssel (14).
3. Entfernen Sie die Radschleifscheibe (12) von der Spindel (10).
4. Halten Sie den Spindelarretierungsknopf (1) gedrückt und ziehen Sie die Spannmutter (13) mit dem Schraubenschlüssel (14) fest.

Einbau des Seitengriffs (Abb. A und B)

- Der Seitengriff (7) kann in einen der drei Seitengriff-Verbindungsstellen (6) eingeschraubt werden.

4. BETRIEB



Beachten Sie, dass das Werkstück gut gesichert oder befestigt ist.

Ein- und Ausschalten (Abb. A)

- Zum Einschalten des Geräts drücken Sie auf den Ein-/Aus-Schalter (5).
- Lassen Sie zum Ausschalten des Geräts den Ein-/Aus-Schalter (5) los.
- Halten Sie das Gerät beim Ein- und Ausschalten vom Werkstück fern, da die Radschleifscheibe andernfalls das Werkstück beschädigen könnte.
- Spannen Sie das Werkstück ein, oder sichern Sie es bei der Arbeit anderweitig.
- Überprüfen Sie regelmäßig die Scheiben. Abgenutzte Schleifscheiben können die Leistung des Geräts beeinträchtigen. Tauschen Sie die Schleifscheiben rechtzeitig gegen neue aus.

Entgraten (Abb. F)



Beim Entgraten lassen sich mit einem Neigungswinkel von 30° bis 40° die besten Ergebnisse erzielen. Bewegen Sie das Gerät unter leichtem Druck vor und zurück. Dies verhindert ein Verfärben oder Überhitzen des Werkstücks sowie die Bildung von Riefen.



Verwenden Sie zum Entgraten niemals abrasive Schleifscheiben!

Trennen (Abb. G)



Zum Trennen muss eine besondere, geschlossene Schutzvorrichtung (Abb. D2) verwendet werden (nicht inbegriffen).

Halten Sie festen Kontakt zum Werkstück, um Vibrationen zu vermeiden, neigen Sie das Gerät beim Trennen nicht, und üben Sie keinen übermäßigen Druck aus. Üben Sie beim Arbeiten nur mäßigen Druck aus, der dem bearbeiteten Werkstoff angemessen ist. Verlangsamen Sie die Schleifscheiben nicht durch Gegendruck von der Seite. Die Richtung, in der Sie schneiden möchten, ist wichtig. Das Gerät muss immer entgegen der Schnittrichtung arbeiten. Bewegen Sie also niemals das Gerät in die andere Richtung! Es besteht die Gefahr, dass das Gerät beim Trennen festklemmt, was einen Rückschlag verursacht, sodass Sie die Kontrolle über das Gerät verlieren.

Ratschläge für optimale Arbeitsergebnisse

- Spannen Sie das Werkstück ein. Verwenden Sie für kleine Werkstücke eine Spannvorrichtung.
- Halten Sie das Gerät mit beiden Händen fest.
- Schalten Sie das Gerät ein.
- Warten Sie, bis das Gerät seine Höchstdrehzahl erreicht hat.
- Setzen Sie die Schleifscheibe auf das Werkstück.
- Bewegen Sie das Gerät langsam am Werkstück entlang, wobei Sie die Schleifscheibe fest gegen das Werkstück drücken.
- Üben Sie nicht zu viel Druck auf das Gerät aus. Lassen Sie das Gerät die Arbeit verrichten.
- Schalten Sie das Gerät aus, und warten Sie vor dem Ablegen, bis es vollkommen zum Stillstand gekommen ist.

5. WARTUNG



Schalten Sie das Gerät vor der Reinigung und Wartung immer aus, und ziehen Sie den Netzstecker aus der Steckdose.

Reinigen Sie das Werkzeuggehäuse regelmäÙig mit einem weichen Lappen, vorzugsweise nach jeder Verwendung. Stellen Sie sicher, dass die Luf-tungsöffnungen frei von Staub und Schmutz sind. Entfernen Sie anhaftenden Schmutz mit einem weichen Lappen, der leicht mit Seifenwasser befeuch-tet wurde. Verwenden Sie keine Lösungsmittel wie Benzin, Alkohol, Ammoniak usw., da Chemikalien dieser Art die Kunststoffteile beschädigen.

UMWELTSCHUTZ



Schadhafte und/oder zu entsorgende elektrische oder elektronische Werkzeuge und Geräte müssen an den dafür vorgesehe-nen Recycling-Stellen abgegeben werden.

Nur für EG-Länder

Entsorgen Sie Elektrowerkzeuge nicht über den Hausmüll. Entsprechend der EU-Richtlinie 2012/19/ EU über Elektro- und Elektronik-Altgeräte sowie der Umsetzung in nationales Recht müssen Elektrower-zeuge, die nicht mehr im Gebrauch sind, getrennt gesammelt und umweltschonend entsorgt werden.

GARANTIE

VONROC-Produkte werden nach den höchsten Qua-litätsstandards entwickelt und sind für den gesetz-lich festgelegten Zeitraum, ausgehend von dem ur-sprünglichen Kaufdatum, garantiert frei von Fehlern in Material und Ausführung. Sollte das Produkt in diesem Zeitraum aufgrund von Material- und/oder Verarbeitungsmängeln Fehler aufweisen, wenden Sie sich bitte direkt an VONROC Kundendienst.

Folgende Umstände sind von der Garantie ausge-schlossen:

- Reparaturen und oder Änderungen an der Ma-schine, die durch nicht-autorisierte Servicestel-len vorgenommen oder versucht wurden.
- Normale Abnutzung und Verschleiß.
- Das Werkzeug wurde übermäßig beansprucht, missbräuchlich verwendet oder falsch gewartet.
- Es wurden keine Original-Ersatzteile verwendet.

Dies stellt die einzige Gewährleistung des Unterneh-mens dar, sowohl ausdrücklich als auch implizit.

Es gibt keine anderen ausdrücklichen oder still-schweigenden Garantien, die über das hier Genann-te hinausgehen, einschließlich der stillschweigen-ten Garantien der Marktgängigkeit oder Eignung für einen bestimmten Zweck. In keinem Fall ist VONROC haftbar für Neben- oder Folgeschäden. Die Rechts-mittel des Händlers beschränken sich auf Reparatur oder Ersatz fehlerhafter Einheiten oder Teile.

Am Produkt und am Benutzerhandbuch können Änderungen vorgenommen werden. Die technischen Daten können sich ohne Vorankündigung ändern.

1. VEILIGHEIDSVOORSCHRIFTEN

Lees de bijgesloten veiligheidswaarschuwingen, de aanvullende veiligheidswaarschuwingen en de instructies. Het niet opvolgen van de veiligheidswaarschuwingen kan elektrische schokken, brand en/of ernstig letsel tot gevolg hebben. Bewaar de veiligheidswaarschuwingen en instructies als naslagwerk voor later.

De volgende symbolen worden gebruikt in de gebruikershandleiding of op het product:



Lees de gebruikershandleiding.



Duidt op het risico van lichamelijk letsel, overlijden en/of beschadiging van het gereedschap, als de instructies in deze gebruiksaanwijzing niet in acht worden genomen.



Gevaar voor rondvliegende voorwerpen. Houd omstanders uit de buurt van het werkgebied.



Gevaar voor elektrische schokken.



Verwijder onmiddellijk de netstekker uit het stopcontact indien de netkabel beschadigd raakt en tijdens reiniging en onderhoud.



Draag een veiligheidsbril.



Draag gehoorbescherming.



Draag veiligheidshandschoenen.



Druk de asvergrendelingsknop niet in terwijl de motor draait.



Brandgevaar.



Klasse II apparaat - Dubbel geïsoleerd - Een geaarde stekker is niet noodzakelijk.



Werp het product niet weg in ongeschikte containers.



Het product voldoet aan de geldende veiligheidsnormen vermeld in de Europese richtlijnen.

ALGEMENE VEILIGHEIDSVOORSCHRIFTEN



WAARSCHUWING! Lees alle veiligheidswaarschuwingen en alle instructies. Het niet opvolgen van onderstaande instructies kan leiden tot een elektrische schok, brand en/of ernstig persoonlijk letsel.

Bewaar deze instructies.

De term "elektrisch gereedschap" in onderstaande waarschuwingen heeft betrekking op zowel apparatuur met een vaste elektriciteitskabel als op apparatuur met een accu (draadloze apparatuur).

1) Werkgebied

- Zorg voor een opgeruimde en goed verlichte werkomgeving.** Rommelige en donkere werkomgevingen leiden tot ongelukken
- Gebruik elektrisch gereedschap nooit in een omgeving waar explosiegevaar bestaat, zoals in de nabijheid van ontvlambare vloeistoffen, gassen, dampen of andere stoffen.** Elektrische gereedschappen kunnen vonken veroorzaken, die deze stoffen tot ontbranding kunnen brengen.
- Wanneer u elektrisch gereedschap gebruikt, houd dan kinderen en omstanders op afstand.** Wanneer u wordt afgeleid, kunt u de controle over het gereedschap verliezen.

2) Elektrische veiligheid

- Stekkers van elektrische gereedschappen moeten probleemloos passen op het stopcontact. Breng nooit wijzigingen aan in of aan de stekker. Gebruik geen adapters voor geaarde elektrische gereedschappen.** Standaardstekkers en passende stopcontacten verkleinen de kans op een elektrische schok.
- Voorkom lichamelijk contact met geaarde oppervlakken van bijvoorbeeld pijpen, leidingen, radiatoren, fornuizen en koelkasten.** Wanneer uw lichaam geaard is, wordt de kans op een elektrische schok groter.
- Stel elektrische gereedschappen nooit bloot aan regen of vocht.** Wanneer er water binnendringt in een elektrisch gereedschap, wordt de kans op een elektrische schok groter.
- Gebruik het snoer niet om het elektrisch gereedschap te dragen, te verplaatsen of de stekker uit het stopcontact te trekken. Bescherm het snoer tegen olie, warmte, scherpe randen en bewegende delen.**

Beschadigde of vastzittende snoeren vergroten de kans op een elektrische schok.

- e) **Wanneer u elektrische gereedschappen buiten gebruikt, gebruik dan een verlengkabel die geschikt is voor buitengebruik.** Door een kabel te gebruiken die geschikt is voor buitengebruik, wordt de kans op een elektrische schok kleiner.
- f) **Gebruik een aardlekbeveiliging (RCD) als niet te voorkomen is dat een power tool moet worden gebruikt in een vochtige omgeving.** Gebruik van een RCD vermindert het risico van elektrische schokken.
- 3) Persoonlijke veiligheid**
- a) **Blijf altijd alert, kijk goed wat u doet en gebruik uw gezonde verstand wanneer u een elektrisch gereedschap gebruikt. Gebruik geen elektrische gereedschappen wanneer u moe bent, of drugs, alcohol of medicijnen hebt gebruikt.** Eén moment van onachtzaamheid bij het gebruik van elektrische gereedschappen kan ernstige verwondingen tot gevolg hebben.
- b) **Gebruik persoonlijke beschermingsmiddelen. Draag altijd een veiligheidsbril.** Een gepast gebruik van veiligheidsvoorzieningen, zoals een stof masker, speciale werkschoenen met antislipzolen, een veiligheidshelm en gehoorbescherming verkleinen de kans op persoonlijk letsel.
- c) **Voorkom dat het gereedschap per ongeluk wordt gestart. Zorg dat de schakelaar op de UITpositie staat, voordat u de stekker in het stopcontact steekt.** Draag elektrisch gereedschap nooit met uw vinger op de schakelaar en steek ook nooit de stekker van ingeschakelde elektrische gereedschappen in het stopcontact: dit leidt tot ongelukken.
- d) **Verwijder alle instel en andere sleutels uit het elektrisch gereedschap voordat u hem inschakelt.** Instel en andere sleutels aan een ronddraaiend onderdeel van het elektrisch gereedschap kunnen tot verwondingen leiden.
- e) **Zorg dat u nooit uw evenwicht kunt verliezen; houd altijd twee voeten stevig op de vloer.** Hierdoor kunt u het elektrisch gereedschap in onverwachte situaties beter onder controle houden.
- f) **Zorg dat u geschikte kleding draagt. Draag geen loshangende kleding of sieraden. Houd uw haar, kleding en handschoenen uit de buurt van bewegende delen.** Loshangende kleding, sieraden en lang haar kunnen vast komen te zitten in bewegende delen.
- g) **Wanneer er voorzieningen zijn voor de aansluiting van stofafzuiginstallaties, zorg dan dat ze op de juiste wijze worden aangesloten en gebruikt.** Gebruik van deze voorzieningen vermindert de gevaren die door stof worden veroorzaakt.
- h) **Denk niet dat doordat u gereedschap vaak gebruikt, u wel weet hoe het allemaal werkt en dat u de veiligheidsbeginselen voor het gebruik van het gereedschap wel kunt negeren.** Een onbezonnen actie kan in een fractie van een seconde ernstig letsel tot gevolg hebben.
- 4) Gebruik en onderhoud van elektrisch gereedschap**
- a) **Oefen geen overmatige kracht uit op elektrisch gereedschap. Gebruik het juiste gereedschap voor uw specifieke toepassing.** Met het juiste elektrische gereedschap voert u de taak beter en veiliger uit wanneer dit op de snelheid gebeurt waarvoor het apparaat is ontworpen.
- b) **Gebruik nooit elektrisch gereedschap waarvan de AAN/UITschakelaar niet werkt.** Ieder elektrisch gereedschap dat niet kan worden in en uitgeschakeld met de schakelaar is gevaarlijk en moet worden gerepareerd.
- c) **Trek de stekker uit het stopcontact voordat u wijzigingen aanbrengt aan elektrische gereedschappen, accessoires verwisselt of het elektrisch gereedschap opbergt.** Wanneer u zich aan deze preventieve veiligheidsmaatregelen houdt, beperkt u het risico dat het gereedschap per ongeluk wordt gestart.
- d) **Berg elektrisch gereedschap dat niet in gebruik is op buiten bereik van kinderen en laat personen die niet bekend zijn met het gereedschap of deze instructies het apparaat niet gebruiken.** Elektrisch gereedschap is gevaarlijk in de handen van ongeofende gebruikers.
- e) **Zorg voor een goed onderhoud van elektrisch gereedschap. Controleer of bewegende delen op de juiste wijze zijn vastgezet. Controleer ook of er geen onderdelen defect zijn of dat er andere omstandigheden zijn die van invloed kunnen zijn op de werking van het gereedschap. Laat het gereedschap bij beschadigingen repareren vóór gebruik.** Veel ongelukken worden veroorzaakt door slecht onderhoud van het gereedschap.

- f) **Zorg dat snij en zaagwerktuigen scherp en schoon blijven.** Goed onderhouden snij en zaagwerktuigen met scherpe randen zullen minder snel vastlopen en zijn eenvoudiger onder controle te houden.
 - g) **Gebruik alle elektrische gereedschappen, accessoires, bitjes etc., zoals aangegeven in deze instructies en op de wijze waarvoor het gereedschap is ontworpen. Houd daarbij rekening met de werkomstandigheden en de uit te voeren taak.** Gebruik van elektrisch gereedschap voor handelingen die afwijken van de taken waarvoor het apparaat is ontworpen kunnen leiden tot gevaarlijke situaties.
 - h) **Houd handgrepen en greepoppervlakken droog, schoon en vrij van olie en vet.** Gladde handgrepen en greepoppervlakken maken veilig werken en controle over het gereedschap in onverwachte situaties onmogelijk.
- 5) Service**
- a) **Laat uw gereedschap onderhouden door een gekwalificeerde onderhoudstechnicus die alleen gebruikmaakt van identieke vervangingsonderdelen.** Dit zorgt ervoor dat de veiligheid van de powertool intact blijft.

VEILIGHEIDSWAARSCHUWINGEN DIE GELDEN VOOR ZOWEL SLIJPWERKZAAMHEDEN ALS DOORSLIJPWERKZAAMHEDEN

- a) **Deze powertool is bedoeld als een slijpmachine. Raadpleeg alle bijgeleverde veiligheidswaarschuwingen, instructies, illustraties en specificaties.** Als niet alle instructies hieronder worden nageleefd, kan dat een elektrische schok, brand en/of ernstig letsel tot gevolg hebben.
- b) **Deze powertool is niet geschikt voor werkzaamheden als schuren, staalborstelen en polijsten.** Als met deze powertool werkzaamheden worden uitgevoerd waarvoor de machine niet bedoeld is, kan dat leiden tot gevaren en lichamelijk letsel.
- c) **Gebruik geen accessoires die niet specifiek zijn ontworpen en aanbevolen door de fabrikant.** Het feit dat dergelijke accessoires op de powertool passen, wil niet zeggen dat een veilige werking dan gegarandeerd is.
- d) **Het nominale toerental van het accessoire moet ten minste gelijk zijn aan het maximale toerental dat op de powertool staat vermeld.** Accessoires die sneller worden aangedreven dan hun nominale toerental toestaat, kunnen breken en in het rond vliegen.
- e) **De buitendiameter en dikte van uw accessoire moeten binnen de nominale capaciteit van uw powertool vallen.** Accessoires van een onjuiste grootte kunnen niet voldoende worden beschermd of geregeld.
- f) **Inzetgereedschappen met schroefdraadinzetstuk moeten nauwkeurig op de schroefdraad van de uitgaande as passen. De gatdiameter van met een flens gemonteerde inzetgereedschappen moet passen bij de opnamediameter van de flens.** Inzetgereedschappen die niet nauwkeurig op het elektrische gereedschap bevestigd worden, draaien ongelijkmatig, trillen sterk en kunnen tot verlies van de controle leiden.
- g) **Gebruik geen beschadigde accessoires. Controleer vóór elk gebruik accessoires zoals slijpschijven op afbrokkelingen en scheuren, steunschijven op scheuren, inkepingen en overmatige slijtage, staalborstels op losse of gescheurde draden. Als de powertool of het accessoire valt, inspecteer deze dan op schade of monteer een onbeschadigd accessoire. Nadat u het accessoire hebt geïnspecteerd en gemonteerd, moet u uzelf en omstanders uit de lijn van het roterende accessoire plaatsen en de powertool gedurende één minuut onbelast met een maximaal toerental laten draaien.** Beschadigde accessoires zullen normaliter breken tijdens deze testduur.
- h) **Draag persoonlijke beschermingsmiddelen. Gebruik, afhankelijk van de toepassing, een gelaatscherm of veiligheidsbril. Draag al naargelang de omstandigheden een stofmasker, gehoorbescherming, handschoenen en een werkplaatsschort dat alle kleine slijp- en werkstukfragmenten kan tegenhouden.** De oogbescherming moet bescherming kunnen bieden tegen rondvliegende rommel die door diverse werkzaamheden ontstaat. Het stofmasker of ademtoestel moet in staat om deeltjes te filteren die ontstaan door uw werkzaamheden. Langdurige blootstelling aan hard geluid kan uw gehoor beschadigen.
- i) **Houd omstanders op veilige afstand van het werkgebied. Iedereen die het werkgebied betreedt, moet persoonlijk beschermingsmiddelen dragen.** Fragmenten van een werkstuk

of een gebroken accessoire kunnen uit het werkgebied wegvliegen en letsel veroorzaken.

- j) **Houd de power tool alleen vast aan de geïsoleerde handgrepen, omdat het snijhulpstuk in contact kan komen met niet zichtbare bedrading of met het netsnoer van de machine.** Wanneer het snijhulpstuk een onder spanning staande kabel raakt, kunnen de metalen delen van de machine onder spanning komen te staan, waardoor de gebruiker een elektrische schok kan krijgen.
- k) **Houd het netsnoer uit de buurt van het draaiende accessoire.** Als u de controle verliest, wordt het snoer mogelijk doorgesneden of scheurt het, of raakt het verstrikt en kan uw hand of arm in het draaiende accessoire worden getrokken.
- l) **Leg de power tool nooit neer voordat het accessoire volledig tot stilstand is gekomen.** Als u dit nalaat, kan het draaiende accessoire het oppervlak aangrijpen waardoor u de controle verliest over de power tool.
- m) **Laat de power tool niet ingeschakeld terwijl u deze aan uw zijde draagt.** Als u per ongeluk contact maakt met het draaiende accessoire, kan het verstrikt raken in uw kleding, waardoor het accessoire in uw lichaam wordt getrokken.
- n) **Reinig de luchtgaten van de power tool regelmatig.** De ventilator van de motor trekt de stof tot in de behuizing en bovenmatige opeenhoping van metaalpoeder kan elektrische gevaren veroorzaken.
- o) **Gebruik de power tool niet in de buurt van ontvlambare materialen.** Vonken kunnen deze materialen doen ontbranden.
- p) **Gebruik geen accessoires die koelvloeistoffen vereisen.** Gebruik van water of andere koelvloeistoffen kan leiden tot elektrocutie of schokken.

Terugslag en hieraan gerelateerde waarschuwingen

Terugslag is een plotselinge reactie op een vastgelopen of vastgeklemd draaiende schijf, steunschijf, borstel of ander accessoire. Als het accessoire vastloopt of vastgeklemd raakt, komt het accessoire plots tot stilstand, wat op zijn beurt tot gevolg heeft dat de power tool in de richting wordt geforceerd die tegengesteld is aan de rotatie van het accessoire op het contactpunt. Als een slijpschijf bijvoorbeeld in het werkstuk vastloopt of vastgeklemd raakt, kan de rand van de schijf die in het knelpunt vastraakt, zich ingraven in het oppervlak van het materiaal waardoor de schijf naar bui-

ten klimt of springt. De schijf kan dan in de richting van de gebruiker of weg van de gebruiker springen, afhankelijk van de richting van de schijfbeweging op het knelpunt. Slijpschijven kunnen onder deze omstandigheden ook afbreken. Terugslag ontstaat door onjuist gebruik van de power tool en/of onjuiste gebruiksprocedures/ -omstandigheden en kan worden vermeden door de voorzorgsmaatregelen hieronder te nemen.

- a) **Houd de machine stevig vast en plaats uw lichaam zodanig dat u de krachten die ontstaan bij terugslag kunt weerstaan. Gebruik altijd de hulpgreep, indien aanwezig, om maximale controle te houden over terugslag of koppelreactie bij opstarten.** De gebruiker kan koppelreacties of terugslagkrachten onder controle houden met de juiste voorzorgsmaatregelen.
- b) **Plaats uw hand nooit in de buurt van het draaiende accessoire.** Het accessoire kan terugslaan over uw hand.
- c) **Plaats uw lichaam niet in het gebied waarin de power tool zal bewegen als er terugslag optreedt.** Bij terugslag zal de tool draaiend terugspringen in de richting die tegengesteld is aan de beweging van de schijf op het knelpunt.
- d) **Wees uiterst voorzichtig bij het gebruik van de machine bij hoeken, scherpe randen, etc. Voorkom dat de machine stuitert of vastgeklemd raakt.** Hoeken, scherpe randen of een terugspringende machine kunnen tot gevolg hebben dat het draaiende accessoire vastloopt waardoor u de controle verliest of er terugslag optreedt.
- e) **Bevestig geen houtbewerkingsbladen voor zaagkettingen of getande zaagbladen.** Dergelijke bladen veroorzaken vaak terugslag en verlies van controle over de machine.

VEILIGHEIDSWAARSCHUWINGEN DIE SPECIEF GELDEN VOOR SLIJP- EN DOORSLIJPWERKZAAMHEDEN

- a) **Gebruik alleen schijftypes die worden aanbevolen voor uw power tool en de specifieke beschermkap die is ontworpen voor de geselecteerde schijf.** Schijven waarvoor de power tool niet ontworpen is, kunnen niet toereikend worden beschermd en zijn niet veilig.
- b) **Gebogen slijpschijven moeten zodanig gemonteerd worden dat hun slijppoppervlak niet boven de rand van de beschermkap uit steekt.** Een

- onjuist gemonteerde slijpschijf die over de rand van de slijpschijf uitsteekt, kan onvoldoende afgeschermd worden.
- c) **De beschermkap moet stevig worden bevestigd op de powertool en zo worden geplaatst dat de veiligheid maximaal is en de hoeveelheid schijf waaraan de gebruiker blootstaat, minimaal is.** De beschermkap helpt de gebruiker te beschermen tegen gebroken schijffragmenten, ongewild contact met de schijf en vonken die kleding kunnen doen ontbranden.
 - d) **Schijven mogen alleen worden gebruikt voor de aanbevolen toepassing. Bijvoorbeeld: niet slijpen met de zijkant van een doorslijpschijf.** Doorslijpschijven zijn bestemd voor omtrekslijpen; zijkrachten die op deze schijven worden toegepast kunnen tot gevolg hebben dat de schijf in stukken uiteenvalt.
 - e) **Gebruik altijd onbeschadigde schijfflazen van de juiste grootte en vorm voor uw geselecteerde schijf.** Juiste schijfflazen ondersteunen de schijf waardoor het risico dat de schijf breekt wordt verkleind. Flazen voor doorslijpschijven kunnen afwijken van flazen voor slijpschijven.
 - f) **Gebruik geen afgesleten schijven van grotere powertools.** Schijven die zijn bestemd voor grotere powertools zijn niet geschikt voor het hogere toerental van een kleinere tool en kunnen barsten.
- c) **Wanneer de schijf vastloopt of wanneer de snijbewerking om enige reden wordt onderbroken, schakel dan de powertool uit en houd deze bewegingsloos vast totdat de schijf volledig tot stilstand is gekomen. Probeer de doorslijpschijf nooit uit de snede te verwijderen terwijl de schijf in beweging is.** Anders kan terugslag optreden. Onderzoek eerst waarom de schijf is vastgelopen en verhelp de oorzaak.
 - d) **Begin niet opnieuw met doorslijpen terwijl de powertool in het werkstuk zit. Laat de schijf eerst op het maximale toerental komen en ga met de powertool vervolgens opnieuw voorzichtig in de snede.** Als u de powertool start terwijl deze in het werkstuk zit, kan de schijf vastgeklemd raken, naar boven lopen of terugslaan.
 - e) **Ondersteun panelen of grote werkstukken om het risico te verkleinen dat de schijf bekneld raakt en terugslag optreedt. Grote werkstukken hebben de neiging om onder hun eigen gewicht in elkaar te zakken.** Ondersteuning moeten worden geplaatst onder het werkstuk bij de lijn van de snede en bij de rand van het werkstuk aan beide zijden van de schijf.
 - f) **Wees extra voorzichtig als u in bestaande muren of andere blinde gebieden een “binnengat” maakt.** De uitstekende schijf snijdt mogelijk door gas- of waterleidingen, elektrische bedrading of objecten waardoor terugslag kan optreden.

AANVULLENDE VEILIGHEIDSWAARSCHUWINGEN DIE SPECIFIEK ZIJN BESTEMD VOOR DOORSLIJPWERKZAAMHEDEN



Doorslijpwerkzaamheden mogen alleen worden uitgevoerd met een speciale beschermkap (niet inbegrepen) afb. C2 - D2

- a) **Forceer de doorslijpschijf niet in het werkstuk en oefen niet te veel kracht uit. Maak geen te diepe snedes.** Door te veel spanning uit te oefenen op de schijf raakt deze overbelast en wordt het risico groter dat de schijf in de snede vervormd raakt of vastloopt, waardoor terugslag of schijfbreuk kan optreden.
- b) **Plaats uw lichaam niet op één lijn met en achter de draaiende schijf.** Wanneer de schijf zich van uw lichaam af beweegt op het werkpunt, worden door de mogelijke terugslag de draaiende schijf en de powertool in uw richting getorpedeerd.

Elektrische veiligheid



Controleer altijd of de spanning van de stroomtoevoer overeenkomt met de spanning op het typeplaatje.

- Gebruik de machine niet indien het netsnoer of de netstekker zijn beschadigd.
- Gebruik uitsluitend verlengkabels die geschikt zijn voor het vermogen van de machine met een minimale dikte van 1.5 mm². Indien u een verlengkabelhaspel gebruikt, rol dan altijd de kabel volledig uit.
- Als het netsnoer van dit elektrisch gereedschap beschadigd is, moet het worden vervangen door een speciaal gemaakt netsnoer dat kan worden verkregen bij de onderhoudsdienst.

2. TECHNISCHE INFORMATIE

Bedoeld gebruik

Uw haakse slijper is ontworpen voor het slijpen van metselwerk en stalen materialen zonder gebruik van water. Voor doorslijpwerkzaamheden moet een speciale beschermkap worden gebruikt (niet inbegrepen). Afb. D2.



Niet geschikt voor gebruik op een bouwterrein.

TECHNISCHE SPECIFICATIES

| Modelnr. | AG506AC |
|--|--|
| Netspanning | 220-240V~ |
| Netfrequentie | 50/60Hz |
| Ingangsvermogen | 2600W |
| Onbelast toerental | 6500 /min |
| Slijpschijf Diameter: | 230 mm |
| Asgat: | 22,2 mm |
| Asdraad | M14 |
| Gewicht | 6,7 kg |
| Geluidsdruk L_{PA} | 96,1 dB(A), K=3dB(A) |
| Geluidsvermogen L_{WA} | 107,1 dB(A), K=3dB(A) |
| Trilling "oppervlakteslijpen" $a_{h,AG}$ | 7,86 m/s ² , K=1,5 m/s ² |



Draag gehoorbescherming.

Trillingsniveau

Het trillingsemissieniveau, dat in deze gebruiksaanwijzing wordt vermeld, is gemeten in overeenstemming met een gestandaardiseerde test volgens EN 60745-1 en EN 60745-2-3; deze mag worden gebruikt om twee machines met elkaar te vergelijken en als voorlopige beoordeling van de blootstelling aan trilling bij gebruik van de machine voor de vermelde toepassingen.

- de vibratie-emissie tijdens het gebruik van het elektrisch gereedschap kan afwijken van de verklaarde totale waarde, afhankelijk van de manieren waarop het gereedschap wordt gebruikt;
- er moeten veiligheidsmaatregelen worden geïdentificeerd om de gebruiker te beschermen, die zijn gebaseerd op een schatting van de blootstelling bij de werkelijke gebruiksomstandigheden (rekeninghoudend met alle delen van

de gebruikscyclus, zoals de momenten waarop het gereedschap uitgeschakeld is en wanneer het stand-by staat, naast de tijd dat het in werking is).

Bescherm uzelf tegen de gevolgen van trilling door de machine en de accessoires te onderhouden, uw handen warm te houden en uw werkwijze te organiseren.

BESCHRIJVING

De nummers in de tekst verwijzen naar de illustraties op pagina 2-4.

1. Asvergrendelingsknop
2. Inbusbout
3. Beschermkap
4. Koolborstel kap
5. Aan/uit-schakelaar
6. Aansluitpunt zijgreep
7. Zijgreep
8. Inbussleutel
9. Achterste handgreep
10. As
11. Aansluitflens
12. Schijf (niet inbegrepen)
13. Klemmoer
14. Sleutel

3. ASSEMBLAGE



Schakel voor assemblage altijd de machine uit en verwijder de netstekker uit het stopcontact.

De beschermkap monteren (Afb. C en D)

1. Plaats de machine op een tafel met de as (10) naar boven gericht.
2. Plaats de beschermkap (3) over de machinekop zoals getoond in afbeelding C en zorg er hierbij voor dat de richels op de beschermkap in de inkepingen van de machinekop vallen.
3. Draai de beschermkap tegen de wijzers van de klok in zoals getoond in afbeelding D.
4. Draai de inbusbout (2) vast op de beschermkap met de inbussleutel (8).
5. U kunt de positie van de beschermkap afstellen door de inbusbout (2) los te draaien, verstel de beschermkap naar de gewenste positie en draai de inbusbout weer vast.



Gebruik de machine nooit zonder de beschermkap.

Monteren en verwijderen van de slijpschijf (Afb. B)



Gebruik de machine niet zonder de beschermkap.



Gebruik uitsluitend scherpe en onbeschadigde schijven.

Monteren

1. Plaats de machine op een tafel met de beschermkap (3) naar boven gericht.
2. Monteer de flens (11) op de as (10).
3. Plaats de schijf (12) op de as (10).
4. Houd de asvergrendelingsknop (1) ingedrukt en draai de klemmoer (13) stevig vast op de as (10) met behulp van de sleutel (14).

Verwijderen

1. Plaats de machine op een tafel met de beschermkap (3) naar boven gericht.
2. Houd de asvergrendelingsknop (1) ingedrukt en maak de klemmoer (13) los met behulp van de sleutel (14).
3. Verwijder de schijf (12) van de as (10).
4. Houd de asvergrendelingsknop (1) ingedrukt en draai de klemmoer (13) stevig vast met behulp van de sleutel (14).

De zijgreep monteren (Afb. A en E)

- De zijgreep (7) kan in een van de drie aansluitpunten (6) worden geschroefd.

4. BEDIENING



Verzeker uzelf ervan dat het werkstuk goed gefixeerd of ondersteund is.

In- en uitschakelen (Afb. A)

- Om de machine in te schakelen drukt u de aan/uitschakelaar (5) in.
- Om de machine uit te schakelen, laat u de aan/uitschakelaar (5) los.
- Houd de machine weg van het werkstuk als u de machine in- of uitschakelt. Anders wordt het werkstuk mogelijk beschadigd door de schijf.
- Klem het werkstuk stevig vast of gebruik een andere methode om ervoor te zorgen dat het werkstuk kan bewegen kan komen terwijl u aan het werk bent.

- Controleer de schijven regelmatig. Versleten schijven hebben een negatief effect op de efficiëntie van de machine. Vervang een schijf tijdig door een nieuwe.

Afbramen (Afb. F)



Een schuine hoek van 30° tot 40° geeft bij het afbramen het beste resultaat. Beweeg de machine met een lichte druk heen en terug. Dit voorkomt dat het werkstuk ontkleurt of te heet wordt en groeven worden gevormd.



Gebruik nooit doorslijpschijven om werkstukken af te bramen!

Doorslijpen (Afb. G)



Voor doorslijpwerkzaamheden moet een speciale gesloten beschermkap (Afb. D2) worden gebruikt (niet inbegrepen).

Houd stevig contact met het werkstuk om trillingen te voorkomen; kantel de machine niet en oefen geen druk uit terwijl u het werkstuk doorslijpt. Oefen tijdens het werk een gemiddelde druk uit die past bij het materiaal waaraan u werkt. Vertraag schijven niet door een zijwaartse tegendruk uit te oefenen. De richting waarin u wilt doorslijpen is belangrijk. De machine moet altijd tegen de richting van de snede in werken; u mag de machine dus nooit in tegengestelde richting bewegen! Er bestaat anders het risico van terugslag waardoor u de controle over de machine verliest.

Aanwijzingen voor optimaal gebruik

- Klem het werkstuk vast. Gebruik een kleminrichting voor kleine werkstukken.
- Houd de machine met beide handen vast.
- Schakel de machine in.
- Wacht totdat de machine op volle snelheid is.
- Plaats de slijpschijf op het werkstuk.
- Beweeg de machine langs het werkstuk, waarbij de slijpschijf stevig tegen het werkstuk wordt gedrukt.
- Oefen niet te veel druk uit op de machine. Laat de machine het werk doen.
- Schakel de machine uit en wacht totdat de machine volledig tot stilstand is gekomen voordat u de machine neerlegt.

5. ONDERHOUD



Schakel, voordat u met de reiniging en het onderhoud begint, altijd de machine uit en haal de netstekker uit het stopcontact.

Reinig de machinebehuizing regelmatig met een zachte doek, bij voorkeur iedere keer na gebruik. Zorg dat de ventilatiesleuven vrij van stof en vuil zijn. Gebruik bij hardnekkig vuil een zachte doek bevochtigd met zeepwater. Gebruik geen oplosmiddelen als benzine, alcohol, ammonia, etc. Dergelijke stoffen beschadigen de kunststof onderdelen.

MILIEU



Defecte en/of afgedankte elektrische of elektronische gereedschappen dienen ter verwerking te worden aangeboden aan een daarvoor verantwoordelijke instantie.

Uitsluitend voor EG-landen

Werp elektrisch gereedschap niet weg bij het huisvuil. Conform de Europese Richtlijn 2012/19/EU voor Afgedankte Elektrische en Elektronische Apparatuur en de implementatie ervan in nationaal recht moet niet langer te gebruiken elektrisch gereedschap gescheiden worden verzameld en op een milieuvriendelijke wijze worden verwerkt.

GARANTIE

VONROC producten zijn ontworpen volgens de hoogste kwaliteitsstandaarden en gegarandeerd vrij van defecten, zowel materieel als fabrieksfouten, tijdens de wettelijk vastgestelde garantieperiode vanaf de eerste aankoopdatum. Mocht het product tijdens deze periode gebreken vertonen veroorzaakt door defecte materialen en/of fabrieksfouten, neem dan rechtstreeks contact op met VONROC.

De volgende situaties vallen niet onder de garantie:

- Er zijn reparaties of aanpassingen aan de machine uitgevoerd, of er is een poging daartoe ondernomen, door een niet-geautoriseerd servicecentrum.
- Normale slijtage.
- De machine is misbruikt, verkeerd gebruikt of slecht onderhouden.

- Er zijn niet-originele reserveonderdelen gebruikt.

Dit vormt de enige garantie opgesteld door het bedrijf zowel expliciet als impliciet. Er bestaan geen andere garanties expliciet of impliciet welke verder gaan dan deze garantie, inclusief impliciete garanties van verkoopbaarheid en geschiktheid voor bepaalde doeleinden. In geen enkel geval kan VONROC aansprakelijk worden gesteld voor incidentele schade of gevolgschade. Reparaties van dealers zijn gelimiteerd tot de reparatie of vervanging van defecte producten of onderdelen.

Het product en de gebruikershandleiding zijn onderhevig aan wijzigingen. Specificaties kunnen zonder opgaaf van redenen worden gewijzigd.

1. CONSIGNES DE SÉCURITÉ

En plus des avertissements de sécurité suivants, veuillez également lire les avertissements de sécurité additionnels ainsi que les instructions. Le non-respect des avertissements de sécurité et des instructions peut entraîner une décharge électrique, un incendie et/ou des blessures graves. Veuillez conserver les avertissements de sécurité et les instructions pour consultation ultérieure.

Les symboles suivants sont utilisés dans le manuel d'utilisation ou apposés sur le produit:



Lisez le manuel d'utilisation.



Indique un risque de blessure, de décès ou de détérioration de l'outil en cas de non-respect des consignes de ce manuel.



Risque de projection d'objets. Maintenez les passants à l'écart de la zone de travail.



Risque de décharge électrique.



Debranchez immédiatement la fiche de la prise secteur si le câble secteur est endommagé ainsi que durant le nettoyage et la maintenance.



Portez des lunettes de protection.



Portez une protection auditive.



Portez des gants de sécurité.



N'appuyez pas sur le bouton de blocage d'axe lorsque le moteur fonctionne.



Risque d'incendie.



Machine de classe II - Double isolation - Vous n'avez pas besoin de prise avec mise à la terre.



Ne jetez pas le produit dans des conteneurs qui ne sont pas prévus à cet effet.



Le produit est conforme aux normes de sécurité des directives européennes en vigueur.

CONSIGNES GÉNÉRALES DE SÉCURITÉ



AVERTISSEMENT! Veuillez lire l'intégralité des avertissements de sécurité et des instructions. Le non-respect de toutes les instructions indiquées cidessous peut entraîner un risque de choc électrique, d'incendie et/ou de blessures graves.

Conservez ces instructions.

Le terme "appareil électrique" mentionné dans tous les avertissements cidessous se rapporte à un appareil électrique qui se branche au réseau électrique (grâce à un câble d'alimentation) ou à un appareil électrique (sans fil) fonctionnant grâce à une batterie.

1) Espace de travail

- a) **Veillez toujours à garder votre espace de travail propre et bien éclairé.** Les espaces mal rangés et sombres peuvent être la cause d'accidents.
- b) **N'utilisez pas les appareils électriques dans des environnements susceptibles d'explosion, par exemple en présence de liquides inflammables, de gaz ou de particules.** Les appareils électriques provoquent des étincelles qui peuvent enflammer les particules des émanations.
- c) **Veillez à garder éloignés les enfants et les personnes se trouvant dans votre voisinage, lors de l'utilisation d'un appareil électrique.** Les distractions peuvent vous faire perdre le contrôle de l'appareil.

2) Mesures de sécurité électriques

- a) **Les prises des appareils électriques doivent être raccordées à la prise murale correspondante. Ne modifiez jamais la prise de l'appareil, de quelque façon que ce soit. N'utilisez pas d'adaptateurs qui mettent les appareils électriques à la terre (mise à la masse).** Des prises non modifiées et branchées à la prise murale correspondante réduiront les risques de choc électrique.
- b) **Évitez le contact direct avec les surfaces mises à la terre ou mises à la masse comme les canalisations, les radiateurs, les cuisinières et les réfrigérateurs.** En effet, le risque de choc électrique s'accroît si votre corps est mis à la terre ou à la masse.
- c) **N'utilisez pas d'outils électriques dans des environnements pluvieux ou humides.** Si de l'eau s'introduit dans un appareil électrique, le risque de choc électrique augmentera.

- d) **N'utilisez pas le câble de manière abusive. N'utilisez jamais le câble pour transporter, tirer ou débrancher l'appareil électrique. Veillez à garder le câble éloigné des sources de chaleur, des huiles, des rebords coupants ou des pièces actionnées.**
Les câbles endommagés ou entremêlés augmentent le risque de choc électrique.
- e) **Lorsque un appareil est utilisé à l'extérieur, utilisez uniquement un câble prolongateur prévu à cet effet.** L'utilisation d'un câble à usage extérieur réduit le risque de choc électrique.
- f) **Si vous êtes contraint d'utiliser un outil électrique dans un environnement humide, utilisez une alimentation protégée par un dispositif à courant résiduel (RCD).** L'utilisation d'un RCD réduit le risque de décharge électrique.
- 3) Sécurité personnelle**
- a) **Restez vigilant, gardez un œil sur ce que vous faites et utilisez votre sens commun lors de l'utilisation d'un appareil électrique. N'utilisez pas un appareil électrique si vous êtes fatigué ou si vous êtes sous l'influence de drogues, d'alcool ou si vous prenez des médicaments.** Un moment d'inattention lors de l'utilisation des appareils électriques peut entraîner des blessures graves.
- b) **Utilisez un équipement de protection personnelle. Protégez-vous toujours les yeux.** Les équipements de protection, tels qu'un masque à poussière, des chaussures antidérapantes, des protections auditives ou un casque de sécurité, utilisés dans de bonnes conditions, réduiront le risque de blessures.
- c) **Prévenez tout démarrage involontaire. Assurez-vous que l'interrupteur est sur la position "arrêt avant de brancher l'appareil.** En effet, le transport des appareils électriques en gardant vos doigts sur l'interrupteur, ou le branchement de ces appareils en ayant l'interrupteur sur "marche accidents.
- d) **Retirez les clés de réglage ou les clés de vis de réglage avant d'allumer l'appareil électrique.** Une clé de vis de réglage ou une clé, laissée sur une pièce en mouvement de l'appareil électrique, peut entraîner des lésions corporelles.
- e) **Ne pas se précipiter. Gardez toujours vos pieds à plat et gardez votre équilibre.** Ceci permet de mieux contrôler l'appareil électrique dans des situations imprévues.
- f) **Habillez-vous convenablement. Ne portez pas de vêtements lâches ou de bijoux. Gardez vos cheveux, vêtements et gants éloignés des pièces actionnées.** En effet, ces derniers peuvent être pris dans les pièces en action.
- g) **Si les appareils sont fournis pour la connexion des équipements d'évacuation et de récupération de la poussière, assurez-vous que ces derniers soient correctement connectés et utilisés.** L'utilisation de ces appareils peut réduire les risques liés à la poussière.
- h) **Ne pensez pas être familiarisé avec l'outil après l'avoir utilisé à de nombreuses reprises, au point de ne plus rester vigilant et d'oublier les consignes de sécurité.** Toute action imprudente peut engendrer de graves blessures en une fraction de seconde.
- 4) Utilisation et entretien d'un appareil électrique**
- a) **Ne forcez pas l'appareil électrique. Utilisez l'appareil électrique adéquat pour votre application.** Un appareil électrique correctement choisi assurera un meilleur travail et un travail sans danger, au rythme auquel il a été conçu.
- b) **N'utilisez pas l'appareil électrique si l'interrupteur marche/arrêt ne fonctionne pas.** Un appareil électrique qui ne peut pas être commandé par l'interrupteur de contrôle est dangereux et doit être réparé.
- c) **Débranchez la prise du bloc d'alimentation avant d'effectuer des réglages, de changer des accessoires, ou de ranger les appareils électriques.** Ces mesures de sécurité préventives réduiront le risque de démarrage involontaire de l'appareil électrique.
- d) **Rangez les appareils électriques arrêtés hors de la portée des enfants et ne laissez aucune personne, non familiarisée avec l'outil ou ces instructions, utiliser l'appareil électrique.** Les appareils électriques sont dangereux entre les mains d'utilisateurs non formés.
- e) **Entretenez les appareils électriques. Vérifiez tout défaut d'alignement et l'enchaînement des pièces actionnées, la rupture de ces dernières, et les autres conditions qui peuvent affecter le fonctionnement des appareils électriques. En cas de dommages, faites réparer l'appareil électrique avant de le réutiliser.** Nombreux sont les accidents provoqués par des appareils électriques mal entretenus.
- f) **Veillez à garder les outils coupants aiguisés et propres.** Des outils coupants correctement entretenus avec des lames aiguisées sont

moins susceptibles de se bloquer et sont plus faciles à contrôler.

- g) **Utilisez l'appareil électrique, les accessoires et les embouts, etc., conformément à ces instructions et de la manière prévue pour le type spécifique de l'appareil électrique, en prenant en compte les conditions de travail et le travail à effectuer.** L'utilisation de l'appareil électrique dans des applications différentes de celles prévues peut entraîner des situations dangereuses.
 - h) **Gardez les poignées et les surfaces de préhension sèches, propres et exemptes d'huile et de graisse.** Des poignées et des surfaces de préhension glissantes ne permettent pas de manipuler et de contrôler l'outil correctement en cas de situations inattendues.
 - h) **Gardez les poignées et les surfaces de préhension sèches, propres et exemptes d'huile et de graisse.** Des poignées et des surfaces de préhension glissantes ne permettent pas de manipuler et de contrôler l'outil correctement en cas de situations inattendues.
- 5) **Maintenance**
- a) **L'entretien de votre outil électrique doit être confié à un réparateur qualifié qui utilise uniquement des pièces de rechange identiques aux pièces d'origine.** Cela permet d'assurer la sécurité de l'outil électrique.

AVERTISSEMENTS DE SÉCURITÉ COMMUNS AUX OPÉRATIONS DE MEULAGE ET DE DÉCOUPAGE À L'ABRASIF

- a) **Cet outil électrique est destiné aux applications de meulage. Lisez tous les avertissements de sécurité, les instructions, les illustrations et les spécifications fournis avec cet outil électrique.** Le non-respect des instructions suivantes peut entraîner une décharge électrique, un incendie et/ou des blessures graves.
- b) **Il n'est pas recommandé d'utiliser cet outil électrique pour des opérations telles que le ponçage, le brossage à la brosse métallique et le polissage.** L'utilisation de cet outil pour des opérations pour lesquelles il n'a pas été conçu peut créer un danger et entraîner des blessures.
- c) **Utilisez uniquement les accessoires spécifiquement conçus et recommandés par le fabricant de l'outil.** Le simple fait qu'un accessoire puisse

être branché sur votre outil électrique ne garantit pas un fonctionnement sans risque.

- d) **La vitesse nominale de l'accessoire doit être au moins égale à la vitesse maximale indiquée sur l'outil électrique.** Les accessoires dont la vitesse de rotation est supérieure à leur vitesse nominale peuvent se casser et être projetés.
- e) **Le diamètre extérieur et l'épaisseur de l'accessoire doivent correspondre à la capacité nominale de l'outil électrique.** Un accessoire mal dimensionné ne peut pas être maintenu et contrôlé de manière adéquate.
- f) **Le montage fileté d'accessoires doit être adapté au filet de l'arbre de la meuleuse. Pour les accessoires montés avec des flasques, l'alésage central de l'accessoire doit s'adapter correctement au diamètre du flasque.** Les accessoires qui ne correspondent pas aux éléments de montage de l'outil électrique seront en déséquilibre, vibreront de manière excessive et pourront provoquer une perte de contrôle.
- g) **N'utilisez jamais un accessoire endommagé. Avant chaque utilisation, inspectez les accessoires tels que les roues abrasives à la recherche de copeaux et de fissures, les plateaux porte-disque pour vérifier l'absence de fissures, de déchirures ou usure excessive, les brosses métalliques pour détecter des fils desserrés ou fissurés. En cas de chute de l'outil ou de l'accessoire, vérifiez l'absence de dommage ou installez un accessoire en bon état. Après l'inspection et l'installation d'un accessoire, placez-vous, ainsi que les spectateurs, à distance du plan de l'accessoire en rotation, et faites fonctionner l'outil à pleine puissance à vide pendant une minute.** Normalement, les accessoires endommagés se brisent pendant ce test.
- h) **Portez un équipement de protection personnelle. Selon l'application, utilisez un masque facial, des gants de protection ou des lunettes de sécurité. Le cas échéant, portez un masque anti-poussière, des protections auditives, des gants et un tablier d'atelier capable d'arrêter les particules abrasives et les fragments de pièce.** La protection utilisée pour les yeux doit être capable d'arrêter les débris volants générés par diverses opérations. Le masque anti-poussière ou le respirateur doit être capable de filtrer les particules générées par votre opération. L'exposition prolongée à une intensité sonore élevée peut entraîner une perte auditive.

- i) **Tenez les spectateurs à une bonne distance de sécurité de la zone de travail. Quiconque pénètre dans la zone de travail doit porter un équipement de protection personnelle.** Les fragments de pièce ou d'un accessoire brisé peuvent voler et causer des dégâts au-delà de la zone immédiate de l'opération.
- j) **Tenez toujours l'outil électrique par les surfaces de préhension isolées lorsque vous effectuez une opération au cours de laquelle l'accessoire de coupe peut entrer en contact avec des câbles non apparents ou le cordon d'alimentation de l'outil.** Tout contact de l'accessoire de coupe avec un fil "sous tension" peut conduire l'électricité aux pièces métalliques exposées de l'outil et exposer l'utilisateur à une décharge électrique.
- k) **Placez le cordon loin de l'accessoire en rotation.** En cas de perte de contrôle, le cordon peut être coupé ou accroché et votre main ou votre bras risque d'être tiré(e) vers l'accessoire en rotation.
- l) **Ne posez jamais l'outil électrique tant que l'accessoire n'est pas complètement arrêté.** L'accessoire rotatif peut s'accrocher à la surface et provoquer une perte de contrôle de l'outil électrique.
- m) **Ne faites pas fonctionner l'outil électrique pendant que vous le transportez à côté de vous.** En cas de contact accidentel avec l'accessoire rotatif, ce dernier peut arracher vos vêtements et se planter dans votre corps.
- n) **Nettoyez régulièrement les ouvertures d'aération de l'outil électrique.** Le ventilateur du moteur attire la poussière à l'intérieur de l'outil et l'accumulation excessive de poudre de métal peut causer des dangers électriques.
- o) **Ne faites pas fonctionner l'outil électrique à proximité de matières inflammables.** Une étincelle pourrait enflammer ces matériaux.
- p) **N'utilisez aucun accessoire nécessitant un liquide de refroidissement.** L'utilisation d'eau ou d'autres liquides de refroidissement peut entraîner une électrocution ou une décharge électrique.

Rebond et avertissements correspondants

Le rebond est une réaction soudaine due au pincement ou à l'accrochage d'une meule, d'un plateau porte-disque, d'une brosse ou de tout autre accessoire en rotation. Le pincement ou l'accrocha-

ge provoque un blocage rapide de l'accessoire en rotation, ce qui entraîne une perte de contrôle de l'outil qui revient dans la direction opposée à la rotation de l'accessoire au point de grippage. Par exemple, si une meule abrasive est accrochée ou pincée par la pièce à ouvrir, le bord de la meule qui pénètre dans le point de pincement peut creuser la surface du matériau causant la sortie ou l'éjection de la meule. La meule peut sauter en direction de l'opérateur, ou s'en éloigner, selon le sens de rotation de la meule au point de pincement. Les meules abrasives peuvent également se briser dans ces conditions. Le rebond résulte d'une utilisation inadéquate de l'outil et/ou de procédures ou de conditions de fonctionnement incorrectes. Il peut être évité en prenant les précautions suivantes:

- a) **Tenez fermement l'outil électrique et placez votre corps et votre bras de façon à résister aux forces de rebond. Utilisez toujours la poignée auxiliaire, si elle existe, pour un contrôle maximal du rebond ou de la réaction de couple pendant le démarrage.** L'opérateur peut contrôler les réactions de couple ou les forces de rebond si les précautions qui s'imposent sont prises.
- b) **Ne placez jamais votre main à proximité de l'accessoire en rotation.** L'accessoire peut rebondir sur votre main.
- c) **Ne vous placez pas dans la zone où l'outil électrique risque de se déplacer en cas de rebond.** Le rebond propulse l'outil dans le sens opposé au mouvement de la meule au point d'accrochage.
- d) **Soyez particulièrement vigilant lorsque vous travaillez dans les coins, les arêtes vives, etc. Évitez les rebondissements et les accrochages de l'accessoire.** Les coins, les arêtes vives ou les rebondissements ont tendance à accrocher l'accessoire en rotation et à entraîner une perte de contrôle ou un rebond.
- e) **Ne montez pas de chaîne, de lame de sculpture sur bois ou de lame de scie crantée sur l'outil.** Ces lames provoquent des rebonds fréquents et entraînent la perte de contrôle de l'outil.

AVERTISSEMENTS DE SÉCURITÉ SPÉCIFIQUES AUX OPÉRATIONS DE MEULAGE ET DE DÉCOUPAGE À L'ABRASIF

- a) **Utilisez uniquement les types de meule recommandés pour votre outil électrique, ainsi que le carter de protection spécialement conçu pour**

- la meule choisie.** Les meules qui ne sont pas spécifiquement adaptées à l'outil électrique ne peuvent pas être correctement protégées et présentent des risques pour la sécurité.
- b) **A surface de meulage des meules à moyeu déporté doit être montée sous le plan de la lèvres du protecteur.** Une meule montée de manière incorrecte qui dépasse du plan de la lèvres du protecteur ne peut pas être protégée de manière appropriée.
- c) **Le carter de protection doit être solidement fixé à l'outil électrique et positionné pour une sécurité maximale de façon à réduire au minimum la partie de la meule à laquelle l'opérateur est exposé.** Le carter de protection permet de protéger l'opérateur des fragments de meule cassée, d'un contact accidentel avec la meule et des étincelles susceptibles d'enflammer les vêtements.
- d) **Les meules doivent être utilisées uniquement pour les applications recommandées. Par exemple: ne meulez pas avec le côté d'un disque de coupe.** Les meules abrasives sont destinées au meulage périphérique, l'application de forces latérales sur ces meules peut les briser en éclats.
- e) **Utilisez toujours des flasques de meule en bon état, de taille et de forme adaptées à la meule choisie.** Les flasques servent de support à la meule, réduisant ainsi le risque de cassure. Les flasques pour meules à tronçonner peuvent être différents de ceux destinés au meulage.
- f) **N'utilisez pas les meules usagées provenant d'outils plus grands.** Les meules destinées aux outils électriques plus grands ne sont pas adaptées à la vitesse plus élevée d'un outil plus petit et risquent d'éclater.
- meule, au point de fonctionnement, s'éloigne de votre corps, le rebond éventuel peut propulser la meule en rotation ainsi que l'outil électrique directement sur vous.
- c) **Lorsque la meule coince, ou lorsque vous interrompez la coupe pour une raison quelconque, mettez l'outil électrique hors tension et maintenez-le immobile jusqu'à l'arrêt complet de la meule. Ne tentez jamais de retirer le disque de coupe de la pièce lorsque la meule est en mouvement car un rebond peut se produire.** Recherchez les causes du problème et prenez des mesures correctives afin d'empêcher que la meule ne se grippe.
- d) **Ne reprenez pas l'opération de tronçonnage dans la pièce. Laissez la meule atteindre sa vitesse maximale et rentrez à nouveau doucement dans la pièce.** Si l'outil électrique est redémarré dans la pièce, la meule peut se bloquer, déraper ou rebondir.
- e) **Prévoyez des panneaux de support ou une pièce à ouvrir de grande dimension pour minimiser les risques de rebond ou de pincement de la meule.** Les grandes pièces ont tendance à s'affaisser sous leur propre poids. Placez les supports sous la pièce à ouvrir, près de la ligne de coupe et du bord de la pièce à ouvrir, des deux côtés de la meule.
- f) **Redoublez de prudence lors de la réalisation d'une poche dans les murs ou dans une zone aveugle.** La meule saillante peut couper des canalisations de gaz ou d'eau, des câbles électriques ou des objets qui risquent de causer un rebond.

AVERTISSEMENTS DE SÉCURITÉ ADDITIONNELS SPÉCIFIQUES AUX OPÉRATIONS DE DÉCOUPAGE À L'ABRASIF



Les opérations de tronçonnage requièrent un carter de protection special (non inclus), Fig. C2 - D2

- a) **Évitez de bloquer la meule à tronçonner ou d'appliquer une pression excessive. Ne tentez pas de réaliser une coupe trop profonde.** Une pression excessive sur la meule augmente la charge et le risque de torsion ou de coincement de la meule, ainsi que le risque de rebond ou de cassure.
- b) **Ne vous placez pas dans l'alignement de la meule en rotation ni derrière celle-ci.** Lorsque la

Sécurité électrique



Vérifiez si la tension d'alimentation électrique correspond bien à celle de la plaque signalétique.

- N'utilisez pas la machine si le câble secteur ou la fiche secteur est endommagé.
- Utilisez uniquement des rallonges adaptées à la puissance nominale de la machine et d'une section minimum de 1.5 mm². Si vous utilisez une bobine de rallonge, déroulez toujours complètement le câble.
- Si le cordon d'alimentation électrique de cet outil électrique est endommagé, il doit être remplacé par un cordon électrique spécifiquement préparé et fourni par une société de service.

2. INFORMATIONS RELATIVES A LA MACHINE

Utilisation prévue

Votre meuleuse d'angle a été conçue pour le meulage sans eau de la pierre, du béton, ainsi que de l'acier. Pour le tronçonnage, vous devez utiliser un carter de protection spécial (non inclus). Fig. D2.



Non appropriée pour une utilisation sur les chantiers de construction.

SPECIFICATIONS TECHNIQUES

| N° de modèle | AG506AC |
|--|--|
| Tension de secteur | 220-240V~ |
| Fréquence de secteur | 50/60Hz |
| Puissance d'entrée | 2600W |
| Vitesse à vide | 6500 /min |
| Meule | |
| Diamètre: | 230 mm |
| Trou d'axe: | 22,2 mm |
| Filetage d'axe | M14 |
| Poids | 6,7 kg |
| Niveau de pression acoustique L_{PA} | 96,1 dB(A), K=3dB(A) |
| Niveau d'intensité acoustique L_{WA} | 107,1 dB(A), K=3dB(A) |
| Vibration "meulage de finition" $a_{h,AG}$ | 7,86 m/s ² , K=1,5 m/s ² |



Portez une protection auditive.

Niveau de vibrations

Le niveau des vibrations émises, indiqué dans ce manuel, a été mesuré conformément à la procédure décrite par la norme EN 60745-1 et EN 60745-2-3. Il peut être utilisé pour comparer deux outils ou pour réaliser une estimation préalable de l'exposition aux vibrations lors de l'utilisation de l'outil pour les applications mentionnées.

- en fonction de la manière dont l'outil est utilisé, les vibrations réellement émises pendant son utilisation peuvent varier par rapport à la valeur totale déclarée ;
- afin de protéger l'opérateur, il est nécessaire d'identifier des mesures de sécurité basées sur une estimation de l'exposition dans les condi-

ons réelles d'utilisation (en prenant en compte toutes les parties du cycle de fonctionnement, comme les durées pendant lesquelles l'outil est éteint ou qu'il fonctionne à vide, en plus des durées de déclenchement).

Protégez-vous contre les effets des vibrations par un entretien correct de l'outil et de ses accessoires, en vous échauffant les mains et en organisant vos rythmes de travail.

DESCRIPTION

Les numéros dans le texte se rapportent aux schémas des pages 2-4.

1. Bouton de blocage de l'axe
2. Vis à tête creuse
3. Carter de protection
4. Couverture du balai à bloc de charbon
5. Interrupteur marche/arrêt
6. Point de connexion de la poignée latérale
7. Poignée latérale
8. Clé Allen
9. Poignée arrière
10. Axe
11. Flasque de montage
12. Disque à meuler (non inclus)
13. Écrou de serrage
14. Clé

3. MONTAGE



Avant le montage, mettez toujours la machine hors tension et débranchez la fiche de la prise secteur.

Montage du carter de protection (Fig. C et D)

1. Placez la machine sur une table avec l'axe (10) orienté vers le haut.
2. Placez le carter de protection (3) sur la tête de la machine, comme illustré sur la Figure C, en veillant à ce que les cannelures du carter de protection s'insèrent dans les encoches de la tête.
3. Tournez le carter de protection dans le sens inverse des aiguilles d'une montre comme illustré sur la figure D.
4. Tournez le vis à tête creuse (2) pour fixer le carter avec la clé Allen (8).
5. Vous pouvez ajuster la position du carter de protection en dévissant le vis à tête creuse (2).

Mettez le carter de protection dans la position souhaitée et revissez le vis à tête creuse (2).



Ne tentez jamais d'utiliser la machine sans le carter de protection.

Montage et dépose du disque à meuler (Fig. B)



N'utilisez pas la machine sans le carter de protection.



Utilisez uniquement des meules tranchantes et en bon état.

Montage

1. Placez la machine sur une table, le carter de protection (3) orienté vers le haut.
2. Montez le flasque (11) sur l'axe (10).
3. Placez le disque (12) sur l'axe (10).
4. Maintenez le bouton de blocage de l'axe (1) enfoncé et serrez fermement l'écrou de serrage (13) sur l'axe (10) à l'aide de la clé (14).

Dépose

1. Placez la machine sur une table, le carter de protection (3) orienté vers le haut.
2. Maintenez le bouton de blocage de l'axe (1) enfoncé et desserrez l'écrou de serrage (13) à l'aide de la clé (14).
3. Déposez le disque (12) de l'axe (10).
4. Maintenez le bouton de blocage de l'axe (1) enfoncé et serrez fermement l'écrou de serrage (13) à l'aide de la clé (14).

Montage de la poignée laterale (Fig. A et E)

- La poignée latérale (7) peut être vissée à l'un des trois points de connexion prévus à cet effet (6).

4. FONCTIONNEMENT



Assurez vous que la pièce travaillée soit bien fixée ou soutenue.

Mise en marche et arrêt (Fig. A)

- Pour mettre la machine en marche, appuyez sur l'interrupteur marche/arrêt (5).
- Pour arrêter la machine, relâchez l'interrupteur marche/arrêt (5).
- Maintenez la machine à distance de la pièce à ouvrir lors de la mise sous tension ou hors tension car le disque pourrait endommager la pièce.

- Fixez fermement la pièce à ouvrir à l'aide d'un dispositif de serrage ou de toute autre méthode pour qu'elle reste en place pendant le travail.
- Vérifiez les disques régulièrement. Les disques usés réduisent l'efficacité de la machine. Remplacez le disque par un disque neuf lorsque cela est nécessaire.

Ébavurage (Fig. F)



Un angle d'inclinaison de 30° à 40° donnera les meilleurs résultats lors des opérations d'ébavurage. Déplacez la machine par mouvements de va-et-vient en appliquant une légère pression. Cela permet d'éviter que la pièce à ouvrir ne se décolore ou ne chauffe trop, mais aussi de prévenir la formation de rainures.



N'utilisez jamais de disques à tronçonner abrasifs pour les travaux d'ébavurage !

Tronçonnage (Fig. G)



Pour le tronçonnage, vous devez utiliser un carter de protection fermé spécial (Fig. D2) (non inclus).

Maintenez un contact ferme avec la pièce à ouvrir afin d'éviter les vibrations, sans incliner ou appliquer de pression lors du tronçonnage. Appliquez une pression modérée adaptée au matériau sur lequel vous travaillez. Ne ralentissez pas les disques en appliquant une contrepression latéralement. La direction dans laquelle vous voulez couper est importante. La machine doit toujours travailler dans le sens opposé à celui de la coupe; donc, ne déplacez jamais la machine dans l'autre sens ! La machine risque de se coincer au point de coupe en provoquant un rebond qui vous fera perdre le contrôle de l'outil.

Conseils pour une utilisation optimale

- Serrez la pièce à ouvrir. Utilisez un dispositif de serrage pour les petites pièces.
- Maintenez la machine à deux mains.
- Mettez la machine en marche.
- Attendez que la machine atteigne son régime maximum.
- Placez le disque sur la pièce à ouvrir.
- Déplacez lentement la machine le long de la pièce à ouvrir, en appuyant le disque à mauler fermement contre la pièce.

- N'exercez pas de pression excessive sur la machine. Laissez la machine faire le travail.
- Éteignez la machine et attendez son immobilisation totale avant de la reposer.

5. ENTRETIEN



Avant le nettoyage et l'entretien, mettez toujours la machine hors tension et débranchez la fiche de la prise secteur.

Nettoyez le corps de la machine régulièrement au moyen d'un chiffon doux, de préférence après chaque utilisation. Vérifiez que les ouvertures d'aération ne sont pas obstruées ni sales. Utilisez un chiffon doux légèrement humidifié avec de la mousse de savon pour nettoyer les taches persistantes. N'utilisez pas de produits de nettoyage tels que l'essence, l'alcool, l'ammoniac, etc.; ces produits peuvent endommager les parties synthétiques.

ENVIRONNEMENT



Les équipements électroniques ou électriques défectueux ou destinés à être mis au rebut doivent être déposés aux points de recyclage appropriés.

Uniquement pour les pays de l'UE

Ne jetez pas les outils électriques avec les déchets domestiques. Selon la Directive européenne 2012/19/EU relative aux déchets d'équipements électriques et électroniques et sa mise en œuvre dans le droit national, les outils électriques hors d'usage doivent être collectés séparément et mis au rebut de manière écologique.

GARANTIE

Les produits VONROC sont développés aux plus hauts standards de qualité et ils sont garantis contre les défauts de pièces et de main d'œuvre pendant la durée légale stipulée à partir de la date d'achat d'origine du produit. En cas d'une quelconque panne du produit pendant cette durée qui serait due à un défaut matériel et/ou de main d'œuvre, contactez directement VONROC. Les circonstances suivantes ne sont pas prises en charge par la garantie:

- Des réparations ou altérations ont été effectuées ou tentées sur la machine par un centre de réparation non agréé.
- L'usure normale.
- L'outil a été maltraité, mal utilisé ou mal entretenu.
- Des pièces détachées non d'origine ont été utilisées.

Ceci constitue l'unique garantie accordée par la société explicitement ou implicitement. Il n'existe aucune autre garantie, explicite ou implicite, qui peut s'étendre au delà du contenu ici présent, y compris les garanties marchandes ou d'adaptation à des fins particulières. En aucun cas VONROC ne sera tenu responsable de dommages accidentels ou consécutifs. Les solutions proposées par les revendeurs devront se limiter à la réparation ou le remplacement des éléments ou pièces non conformes.

Le produit et le manuel d'utilisation sont sujets à modifications. Les spécifications peuvent changer sans préavis.

1. INSTRUCCIONES DE SEGURIDAD

Lea las advertencias de seguridad, las advertencias de seguridad adicionales y las instrucciones adjuntas. De no respetarse las advertencias de seguridad y las instrucciones, podrían producirse descargas eléctricas, incendios y/o lesiones graves. Conserve las advertencias de seguridad y las instrucciones para su posterior consulta.

Los siguientes símbolos se utilizan en el manual de usuario o en el producto:



Lea el manual de usuario.



Denota riesgo de lesiones personales, pérdida de vida o daños a la herramienta en caso de incumplimiento de las instrucciones del presente manual.



Mantenga a los presentes a una distancia prudential de la zona de trabajo.



Riesgo de descarga eléctrica.



Saque inmediatamente el enchufe de la toma si el cable eléctrico resulta dañado y durante la limpieza y el mantenimiento.



Lleve gafas de seguridad.



Lleve protección auditiva.



Use guantes de seguridad.



No apriete el botón de bloqueo del eje mientras el motor está en funcionamiento.



Riesgo de incendio.



Máquina de clase II - Doble aislamiento - No necesita enchufe con puesta a tierra.



No tire el producto en contenedores no apropiados.



El producto es conforme a las normas de seguridad aplicables según las directivas europeas.

INSTRUCCIONES GENERALES DE SEGURIDAD



PRECAUCIÓN! Lea todas las advertencias de seguridad y todas las instrucciones.

Si no lo hace, el uso indebido puede acarrear cortocircuitos, fuego o lesiones graves.

Conserve estas instrucciones.

El término "herramienta eléctrica", en todas las advertencias enumeradas a continuación se refiere a su herramienta eléctrica (í nalámbrica) que funciona con una batería o a través de la red eléctrica.

1) Área de trabajo

- Trabaje en un lugar limpio y bien iluminado.** Lugares no iluminados o sucios propician accidentes.
- No use herramientas eléctricas donde haya riesgo de fuego o explosión, p.ej: cerca de líquidos o gases inflamables, polvo etc.** Las herramientas eléctricas producen chispas que pueden producir la ignición de partículas de humo.
- Mantenga a los niños y otras personas alejados mientras utiliza la herramienta eléctrica.** Las distracciones pueden hacer que pierda el control de la herramienta.

2) Seguridad eléctrica

- Cerciórese de que las clavijas de la herramienta eléctrica están correctamente enchufadas. Nunca modifique la clavija. No utilice ningún adaptador para la clavija de una herramienta eléctrica con conexión a tierra.** Las clavijas que no se hayan cambiado y los enchufes adecuados reducen el riesgo de cortocircuitos.
- Evite el contacto humano con superficies con conexiones a tierra como tubos metálicos, conductos, tubos de la calefacción, radiadores y refrigeradores.** El riesgo de cortocircuitos es mayor cuando el cuerpo está en contacto con el suelo.
- No use herramientas eléctricas bajo la lluvia o en entornos húmedos.** Si entra agua en una herramienta eléctrica aumenta el riesgo de cortocircuito.
- No utilice el cable para todo. Nunca utilice el cable para mover la máquina, empujarla o sacar la clavija del enchufe. Mantenga el cable alejado del calor, aceite, zonas cortantes o piezas en movimiento.** Los cables dañados o enredados aumentan el riesgo de cortocircuito.
- Use un cable alargador impermeable adecuado para exteriores cuando trabaje con la herra-**

mienta eléctrica al aire libre. El riesgo de cortocircuito es menor si utiliza un cable alargador adecuado para exteriores.

- f) **Si no se puede evitar el uso de la herramienta eléctrica en un lugar húmedo, use suministro protegido mediante dispositivo diferencial residual (DDR).** El uso de un DDR reduce el riesgo de choque eléctrico.
- h) **No permita que la familiaridad adquirida con el uso frecuente de las herramientas le haga confiarse e ignorar los principios de seguridad de las herramientas.** Una acción descuidada puede causar lesiones graves en una fracción de segundo.
- 3) Seguridad personal**
- a) **No se descuide, preste atención a lo que está haciendo y utilice el sentido común mientras trabaja con esta herramienta. No use herramientas eléctricas cuando esté cansado o esté bajo los efectos del alcohol, las drogas o los medicamentos.** Un momento de distracción, mientras utilice la herramienta eléctrica, puede provocar lesiones personales graves.
- b) **Use equipo de protección individual. Use siempre gafas protectoras.** El uso en condiciones apropiadas del equipo de seguridad como por ejemplo: mascarilla antipolvo, zapatos antideslizantes de seguridad, casco o protección para los oídos, disminuye el riesgo de sufrir lesiones personales.
- c) **Evite arranques involuntarios. Asegúrese de que el interruptor está en la posición de apagado antes de conectarlo a la fuente de electricidad.** Transportar herramientas eléctricas con el dedo puesto sobre el interruptor o enchufarlas con el interruptor encendido puede causar accidentes.
- d) **Quite cualquier llave de ajuste antes de encender la herramienta eléctrica.** Una llave olvidada junto a una pieza móvil de la herramienta eléctrica puede provocar lesiones personales graves.
- e) **No se estire demasiado. Mantenga siempre el equilibrio y tenga los pies en el suelo.** Esto permite un mayor control de la herramienta eléctrica en situaciones inesperadas.
- f) **Vístase apropiadamente. No lleve prendas holgadas o joyas. Mantenga su pelo, ropa y guantes alejados de las piezas móviles.** Las prendas holgadas, las joyas y el pelo largo pueden quedar atrapados en las piezas móviles.
- g) **Si se han suministrado dispositivos para la extracción y recogida de polvo asegúrese de que estos estén conectados y se utilicen co-**

rectamente. El uso de estos dispositivos puede reducir los riesgos relacionados con el polvo.

- h) **Mantenga las asas y las superficies de agarre secas, limpias y libres de aceite y grasa.** Las asas y las superficies de agarre resbaladizas no permiten un manejo y control seguros de la herramienta en situaciones inesperadas.
- 4) Utilización y cuidados de la herramienta eléctrica**
- a) **No fuerce la herramienta eléctrica. Utilice la herramienta eléctrica adecuada para el trabajo que vaya a realizar.** Una herramienta eléctrica apropiada realizará un trabajo mejor y más seguro si se utiliza para el objetivo con el que ha sido diseñada.
- b) **No use herramientas que no pueden encenderse o apagarse con el interruptor.** Las herramientas que ya no se puedan encender y apagar son peligrosas y deben repararse.
- c) **Desenchufe la clavija de la toma de electricidad antes de realizar modificaciones, cambiar accesorios o guardar las herramientas eléctricas.** Tales medidas de seguridad preventivas reducen el riesgo de la puesta en marcha accidental.
- d) **Mantenga a los niños alejados de una herramienta eléctrica sin utilizar y no permita a personas que no estén familiarizadas con la máquina o estas instrucciones utilizar la herramienta.** La herramienta eléctrica puede ser peligrosa cuando la utilicen personas sin experiencia.
- e) **Conserve sus herramientas cuidadosamente. Verifique cualquier desalineación o agarrotamiento de piezas móviles, piezas dañadas y cualquier otra causa, que pudiera repercutir en el buen funcionamiento de la herramienta eléctrica. Si la herramienta está estropeada, repárela antes de utilizarla.** Muchos de los accidentes están causados por un mantenimiento insuficiente del equipo eléctrico.
- f) **Mantenga las herramientas de corte limpias y afiladas.** Sierras con esquinas cortantes con un buen mantenimiento se bloquean menos y son más fáciles de controlar.
- g) **Utilice la herramienta eléctrica, accesorios y brocas etc. Siguiendo las instrucciones atendiendo al tipo de herramienta eléctrica y tenga en cuenta las condiciones de trabajo y el tipo de trabajo que se va a realizar.** Puede ser peligroso realizar trabajos con la herramienta diferentes de aquellos para los que está diseñada.

5) Servicio

- a) **Haga reparar su herramienta eléctrica por una persona cualificada, usando solo piezas de reemplazo idénticas.** Esto garantiza que se mantenga la seguridad de la herramienta eléctrica.

ADVERTENCIAS DE SEGURIDAD COMUNES PARA OPERACIONES DE DESBASTE O CORTE MEDIANTE DISCO ABRASIVO

- a) **Esta herramienta eléctrica ha sido concebida para funcionar como amoladora. Lea las advertencias de seguridad, las instrucciones, las ilustraciones y las especificaciones suministradas con la herramienta eléctrica.** Si no sigue las instrucciones detalladas abajo pueden ocasionarse descargas eléctricas, incendios y/o lesiones graves.
- b) **Se recomienda no realizar operaciones tales como lijado, cepillado y pulido con esta herramienta eléctrica.** Las operaciones para las cuales la herramienta eléctrica no fue concebida pueden ser causa de peligro y ocasionar lesiones personales.
- c) **No use accesorios que no hayan sido especialmente diseñados por el fabricante de la herramienta y que no estén recomendados por este.** Puesto que los accesorios pueden acoplarse a la herramienta eléctrica, deben asegurar un funcionamiento seguro.
- d) **La velocidad nominal del accesorio debe ser por lo menos igual a la velocidad máxima indicada en la herramienta eléctrica.** Los accesorios que funcionen más velozmente que la velocidad nominal pueden romperse y volar en pedazos.
- e) **El diámetro externo y el espesor del accesorio deben corresponder a la capacidad de potencia de la herramienta eléctrica.** Los accesorios de dimensiones incorrectas no pueden ser adecuadamente protegidos o controlados.
- f) **El montaje roscado de los accesorios debe coincidir con el eje roscado de la amoladora. Para accesorios montados por medio de bridas, el agujero del árbol del accesorio debe coincidir con el diámetro de colocación de la brida.** Los accesorios que no coincidan con el soporte de montaje de la herramienta quedarán desequilibrados, vibrarán excesivamente y pueden ocasionar la pérdida de control.
- g) **No use accesorios dañados. Antes de cada uso controle los accesorios, por ejemplo,**
- que los discos abrasivos no tengan virutas y cuarteaduras, que la almohadilla de apoyo no tenga fisuras o rasgaduras y no esté excesivamente desgastada, y que los cepillos no tengan alambres sueltos o desintegrados. Si la herramienta o el accesorio se caen, controle si tienen daños o instale un accesorio no dañado. Después de inspeccionar e instalar un accesorio, usted y las personas que estén cerca deben mantenerse alejadas del alcance del accesorio rotativo y se debe hacer funcionar la herramienta eléctrica a máxima velocidad en vacío durante un minuto.** Los accesorios dañados por lo general se separan durante este tiempo de prueba.
- h) **Use dispositivos de protección individual. Según la aplicación, use máscara facial, gafas protectoras u otro tipo de protector ocular. En su caso, use mascarilla contra el polvo, protectores auditivos, guantes y delantal de taller capaz de detener los pequeños fragmentos abrasivos o de piezas de trabajo.** La protección ocular debe ser capaz de detener los residuos volantes generados por las diferentes operaciones. La mascarilla o careta contra el polvo debe ser capaz de filtrar las partículas generadas durante el funcionamiento. La exposición prolongada al ruido intenso puede causar pérdida auditiva.
- i) **Mantenga a las personas ajenas alejadas de la zona de trabajo. Cualquier persona que entre a la zona de trabajo debe usar equipo de protección individual.** Los fragmentos de piezas de trabajo o de un accesorio roto pueden salir volando y ocasionar lesiones más allá de la zona inmediata de funcionamiento.
- j) **Aferre la herramienta por las superficies de agarre aisladas cuando realice alguna operación en la que el accesorio de corte pueda entrar en contacto con cables ocultos o con el propio cable.** Si el accesorio de corte entra en contacto con un cable con tensión, puede exponer las partes metálicas de la herramienta a tensión y ocasionar una descarga eléctrica al operador.
- k) **Coloque el cable de modo que no interfiera con el accesorio rotante.** Si pierde el control, el cable puede cortarse o engancharse y lo puede tirar con la mano o el brazo hacia el accesorio rotante.

- l) **Nunca apoye la herramienta eléctrica hasta que el accesorio se haya detenido completamente.** El accesorio rotante puede coger la superficie y hacerle perder el control del cable de corriente.
 - m) **No haga funcionar la herramienta eléctrica mientras la transporta consigo.** El contacto accidental con el accesorio rotante puede hacer que se enganche la ropa, tirando el accesorio hacia el cuerpo.
 - n) **Limpiar regularmente las salidas de aire de la herramienta eléctrica.** El ventilador del motor atrae el polvo hacia dentro de la carcasa y la acumulación excesiva de polvo metálico puede ocasionar riesgos eléctricos.
 - o) **No haga funcionar la herramienta eléctrica cerca de materiales inflamables.** Las chispas pueden encender estos materiales.
 - p) **No use accesorios que requieran líquidos de refrigeración.** El uso de agua y otros líquidos de refrigeración pueden ocasionar descargas eléctricas o electrocución.
- b) **Nunca coloque las manos cerca del accesorio rotatorio.** El accesorio puede rebotar en sus manos.
 - c) **No coloque el cuerpo en la zona hacia donde se puede mover la herramienta eléctrica si rebota.** El rebote impulsa la herramienta en la dirección opuesta al movimiento del disco en el punto de enganche.
 - d) **Tenga especial cuidado cuando trabaje en las esquinas, aristas, etc. Evite hacer rebotar y atascar el accesorio.** Las esquinas, aristas o contragolpes tienden a atascar el accesorio rotatorio y causan pérdida de control o rebote.
 - e) **No acople hojas de sierra de cadena para cortar madera u hojas de sierra dentada.** Estas hojas producen frecuentes rebotes y pérdida de control.

ADVERTENCIAS DE SEGURIDAD COMUNES PARA OPERACIONES DE DESBASTE O CORTE MEDIANTE DISCO ABRASIVO

Rebotes y advertencias relacionadas

El rebote es una reacción repentina a un apretón o enganchón en el disco rotatorio, plato de soporte, cepillo o cualquier otro accesorio. Los apretones o enganchones causan atascamiento del accesorio rotativo que, a su vez, hace que la herramienta eléctrica fuera de control se fuerce en la dirección contraria a la rotación del accesorio en el punto de agarrotamiento. Por ejemplo, si el disco abrasivo engancha o aprieta la pieza de trabajo, el borde del disco que entra en el punto del apretón puede penetrar en la superficie del material haciendo que el disco se salga o expulsándolo. El disco puede saltar hacia el operador o encima de él, según sea la dirección del movimiento del disco en el punto del apretón. Los discos abrasivos también pueden romperse en estas condiciones. El rebote se produce por mal uso y/o procedimientos de funcionamiento o condiciones incorrectos y puede evitarse tomando las debidas precauciones que se indican abajo.

- a) **Mantenga aferrada firmemente la herramienta y coloque las manos y el cuerpo de modo que resistan a la fuerza de rebote. Use siempre la empuñadura auxiliar, si la hubiera, para ejercitar el máximo control contra rebote o par de reacción durante el arranque.** El operador puede controlar los pares de reacción o fuerzas de rebote si adopta las debidas precauciones.
- a) **Use solamente los tipos de discos recomendados para su herramienta eléctrica y la protección específica diseñada para el disco seleccionado.** Los discos para los que no ha sido diseñada la herramienta eléctrica no pueden protegerse adecuadamente y son inseguros.
- b) **La superficie de desbaste de discos de centro excavado deben montarse debajo del plano del protector de filo.** Un disco montado incorrectamente, que sobresale del plano del protector de filo, no puede proteger en modo adecuado.
- c) **El protector debe estar firmemente fijado a la herramienta eléctrica y posicionado para seguridad máxima, con la menor cantidad del disco expuesto hacia el operador.** El protector ayuda a proteger al operador de los fragmentos del disco cuando se rompe, el contacto accidental con el disco y las chispas que pueden encender la ropa.
- d) **Los discos deben utilizarse solamente para las aplicaciones recomendadas. Por ejemplo: no amole con la parte de corte del disco.** Los discos abrasivos de corte han sido diseñados para amolado periférico, si se aplica una fuerza lateral a estos discos, se pueden astillar.
- e) **Use siempre bridas de disco no dañadas y de la medida y forma correctas para el disco que haya seleccionado.** Las bridas de disco correctas soportan el disco reduciendo la posibilidad de que este se rompa. Las bridas para discos

de corte pueden ser diferentes a las bridas para discos de desbaste.

- f) **No use discos abrasivos gastados de herramientas eléctricas más grandes.** Los discos para herramientas eléctricas más grandes no son adecuados para la velocidad más elevada de una herramienta más pequeña y pueden romperse.

ADVERTENCIAS DE SEGURIDAD ADICIONALES PARA OPERACIONES DE CORTE ABRASIVO



Las operaciones de corte son apropiadas únicamente con un protector de seguridad especial (no incluido) fig. C2 - D2

- a) **No “atasque” el disco de corte o ejercite una presión excesiva. No intente hacer cortes de excesiva profundidad.** Someter a esfuerzo excesivo el disco abrasivo aumenta la carga y la susceptibilidad a la torsión o agarrotamiento del disco durante el corte y la posibilidad de rebote o rotura del disco.
- b) **No coloque el cuerpo en línea con el disco rotativo y detrás de él.** Cuando el disco, en el punto de funcionamiento, se aleja de su cuerpo, el posible rebote puede impulsar el disco rotante y la herramienta eléctrica directamente hacia usted.
- c) **Cuando el disco está agarrotado o interrumpe un corte por algún motivo, apague la herramienta eléctrica y manténgala inmóvil hasta que el disco se detenga completamente. Nunca intente extraer el disco de corte mientras este está en movimiento, pues puede producir un rebote.** Investigue y tome las medidas correctivas necesarias para eliminar la causa de agarrotamiento del disco.
- d) **No reinicie la operación de corte en la pieza. Deje que el disco alcance velocidad plena y vuelva a entrar con cuidado en el corte.** El disco puede agarrotarse, acercarse o rebotar si la herramienta eléctrica se reinicia en la pieza de trabajo.
- e) **Paneles de soporte o cualquier pieza sobredimensionada para minimizar el riesgo de apretones y rebotes del disco. Las piezas de trabajo grandes tienden a hundirse bajo su propio peso.** Deben colocarse soportes debajo de la pieza de trabajo, cerca de la línea de corte y cerca del borde de la pieza a ambos lados del disco.
- f) **Use precauciones extra cuando haga un “corte de bolsillo” en paredes existentes u otras áreas**

invisibles. El disco que sobresale puede cortar tubos de gas o de agua, cableados eléctricos y objetos que pueden causar rebote.

Seguridad eléctrica



Compruebe siempre que la tensión del suministro eléctrico corresponda con la tensión de la placa de características.

- No utilice la máquina si el cable o el enchufe eléctrico han sufrido daños.
- Utilice únicamente cables alargadores que sean adecuados para la potencia nominal de la máquina con un grosor mínimo de 1.5 mm². Si utiliza un cable alargador en rollo, desenrolle totalmente el cable.
- Si el cable de alimentación de esta herramienta eléctrica se daña, debe ser sustituido por un cable de alimentación especialmente preparado, disponible a través de la organización de servicio.

2. INFORMACION DE LA MAQUINA

Uso previsto

Su amoladora angular ha sido diseñada para amolar materiales de mampostería y acero sin usar agua. Para el corte debe usarse un protector de seguridad especial (no incluido) Fig. D2.



No es apta para uso en obras de construcción.

ESPECIFICACIONES TECNICAS

| Modelo n.º | AG506AC |
|--|--|
| Tensión de alimentación de red | 220-240V~ |
| Frecuencia de alimentación de red | 50/60Hz |
| Potencia de entrada | 2600W |
| Velocidad en vacío | 6500 /min |
| Disco abrasivo | |
| Diametro: | 230 mm |
| Calibre: | 22,2 mm |
| Rosca del husillo | M14 |
| Peso | 6,7 kg |
| Nivel de presión sonora L _{PA} | 96,1 dB(A), K=3dB(A) |
| Nivel de presión acústica L _{WA} | 107,1 dB(A), K=3dB(A) |
| Vibración | |
| “Desbaste de superficie” a _{h,AG} | 7,86 m/s ² , K=1,5 m/s ² |



Lleve protección auditiva.

Nivel de vibración

El nivel de emisión de vibraciones indicado en este manual de instrucciones ha sido medido según una prueba estándar proporcionada en EN 60745-1 y EN 60745-2-3 puede utilizarse para comparar una herramienta con otra y como valoración preliminar de la exposición a las vibraciones al utilizar la herramienta con las aplicaciones mencionadas.

- la emisión de vibraciones durante el uso real de la herramienta eléctrica puede diferir del valor total declarado en función de cómo se use la herramienta;
- es necesario identificar medidas de seguridad para proteger al operador basadas en una estimación de la exposición en las condiciones reales de uso (teniendo en cuenta todas las partes del ciclo de funcionamiento, como el tiempo en que la herramienta está apagada y cuando funciona en vacío, además del tiempo de disparo).

Protéjase contra los efectos de la vibración realizando el mantenimiento de la herramienta y sus accesorios, manteniendo sus manos calientes y organizando sus patrones de trabajo.

DESCRIPCIÓN

Los números del texto se refieren a los diagramas de las páginas 2-4.

1. Botón de bloqueo del eje
2. Tornillo Allen
3. Protector de seguridad
4. Tapa de la escobilla de carbón
5. Interruptor de Encendido/Apagado
6. Punto de anclaje de la empuñadura lateral
7. Empuñadura lateral
8. Llave Allen
9. Empuñadura trasera
10. Eje
11. Brida de montaje
12. Disco abrasivo (no incluido)
13. Tuerca de fijación
14. Llave de ajuste

3. MONTAJE



Antes del montaje, apague siempre la máquina y saque el enchufe de la toma.

Montaje del protector de seguridad (Fig. C y D)

1. Coloque la máquina sobre una mesa con el eje (10) mirando hacia arriba.
2. Coloque el protector de seguridad (3) sobre la cabeza de la máquina como se muestra en la Figura C, asegurándose de que el reborde del protector de seguridad incida en la muesca de la cabeza de la máquina.
3. Gire el protector de seguridad en el sentido contrario a las agujas del reloj como se muestra en la Figura D.
4. Fije el tornillo Allen (2) en el protector con la llave Allen (8).
5. Puede ajustar la posición del protector de seguridad aflojando el tornillo Allen (2), ajuste el protector en la posición que desee y apriete nuevamente el tornillo Allen.



Nunca intente usar la máquina sin protector.

Montaje y desmontaje del disco de rueda (Fig. B)



Nunca intente usar la máquina sin el protector.



Utilice únicamente discos de rueda afilados y sin danar.

Montaje

1. Coloque la máquina sobre una mesa con el protector de seguridad (3) mirando hacia arriba.
2. Monte la brida (11) en el husillo (10).
3. Coloque el disco de rueda (12) en el husillo (10).
4. Mantenga pulsado el botón de bloqueo del husillo (1) y apriete firmemente la tuerca de sujeción (13) en el husillo (10) usando la llave (14).

Extracción

1. Coloque la máquina sobre una mesa con el protector de seguridad (3) mirando hacia arriba.
2. Mantenga pulsado el botón de bloqueo del husillo (1) y afloje la tuerca de fijación (13) usando la llave (14).
3. Extraiga el disco de rueda (12) del husillo (10).
4. Mantenga pulsado el botón de bloqueo del husillo (1) y apriete bien la tuerca de sujeción (13) usando la llave (14).

Montaje de la empuñadura lateral (Fig. A y E)

- La empuñadura lateral (7) puede atornillarse en uno de los tres puntos de anclaje para la empuñadura lateral (6).

4. MANEJO

Asegúrese de que la pieza de trabajo esté bien apoyada o fijada.

Encendido y apagado (Fig. A)

- Para encender la máquina pulse el interruptor de Encendido/Apagado (5).
- Para apagar la máquina, suelte el interruptor de Encendido/Apagado (5).
- Mantenga la máquina alejada de la pieza de trabajo cuando la encienda o la apague porque el disco abrasivo puede dañar la pieza de trabajo.
- Fije firmemente la pieza de trabajo o use cualquier otro método para asegurar que no se mueva mientras realiza el trabajo.
- Compruebe los discos regularmente. Los discos abrasivos gastados afectan a la eficiencia de la máquina. Sustituya con un nuevo disco abrasivo a tiempo.

Desbaste (Fig. F)

Con un ángulo de inclinación de 30° a 40° se obtienen los mejores resultados de desbaste. Mueva la máquina hacia delante y hacia atrás ejerciendo una ligera presión. Esto evitará que la pieza de trabajo se descolore o se caliente demasiado y que queden acanaladuras.



Nunca use discos abrasivos de corte para trabajos de desbaste.

Corte (fig. G)

Para el corte debe usarse un protector de seguridad cerrado especial (Fig. D2) (no incluido).

Mantenga firmemente el contacto con la pieza de trabajo para evitar vibraciones y no se incline ni ejercite demasiada presión cuando corte. Ejercite una moderada presión cuando trabaje, apropiada al material sobre el que está trabajando. No baje los discos abrasivos aplicando contrapresión en los costados. La dirección de corte es importante. La máquina siempre debe trabajar contra la dirección de corte, por lo tanto

nunca mueva la máquina hacia otra dirección. Existe el riesgo de que la máquina se atasque en el corte causando rebote y le haga perder el control.

Consejos para un uso óptimo

- Sujete con mordaza la pieza de trabajo. Use un dispositivo de fijación para piezas pequeñas.
- Coja la máquina con ambas manos.
- Encienda la máquina.
- Espere a que la máquina alcance velocidad plena.
- Coloque el disco abrasivo sobre la pieza.
- Mueva lentamente la máquina a lo largo de la pieza de trabajo, empujando firmemente el disco abrasivo contra la pieza de trabajo.
- No ejercite demasiada presión sobre la máquina. Deje que la máquina haga el trabajo.
- Apague la máquina y espere a que se detenga completamente antes de apoyarla.

5. MANTENIMIENTO

Antes de realizar la limpieza y el mantenimiento, apague siempre la máquina y extraiga el enchufe de la red de alimentación.

Limpie regularmente la carcasa de la máquina con un pano suave, preferentemente después de cada uso. Compruebe que los orificios de ventilación estén libres de polvo y suciedad. Elimine el polvo persistente utilizando un pano suave humedecido con agua y jabón. No use disolventes tales como gasolina, alcohol, amoníaco, etc. Tales productos químicos pueden dañar los componentes sintéticos.

MEDIOAMBIENTE

Los aparatos eléctricos o electrónicos defectuosos y/o desechados deben recogerse en lugares de reciclado apropiado.

Solo para países de la Comunidad Europea

No elimine las herramientas eléctricas como residuos domésticos. De acuerdo con la Directiva europea 2012/19/EU sobre residuos de aparatos eléctricos y electrónicos, y su transposición a las legislaciones nacionales, las herramientas eléctricas que ya no se utilizan deben recogerse por separado y eliminarse en modo ecológico.

CONDICIONES DE GARANTÍA

Los productos VONROC han sido desarrollados con los más altos estándares de calidad y VONROC garantiza que están exentos de defectos relacionados con los materiales y la fabricación durante el periodo legalmente estipulado, a contar desde la fecha de compra original. En caso de que el producto presente defectos relacionados con los materiales y/o la fabricación durante este periodo, póngase directamente en contacto VONROC.

La presente garantía se excluye en los siguientes casos:

- Si centros de servicios no autorizados han realizado o han intentado realizar reparaciones y/o alteraciones a la máquina.
- Si se ha producido un desgaste normal.
- Si la herramienta ha sido mal tratada o usada en modo impropio, o se ha realizado incorrectamente su mantenimiento.
- Si se han utilizado piezas de repuesto no originales.

La presente constituye la única garantía implícita y explícita que ofrece la compañía. No existen otras garantías explícitas o implícitas que excedan las citadas aquí, incluidas las garantías implícitas de comerciabilidad e idoneidad para una finalidad en especial. VONROC no será considerada responsable en ningún caso por daños incidentales o consecuentes. Los recursos a disposición de los distribuidores se limitan a la reparación o a la sustitución de las unidades o piezas no conformes.

El producto y el manual de usuario están sujetos a variaciones. Las especificaciones pueden variarse sin previo aviso.

1. ISTRUZIONI DI SICUREZZA

Leggere accuratamente gli avvisi di sicurezza, gli avvisi di sicurezza aggiuntivi e le istruzioni. La mancata osservanza degli avvisi di sicurezza e delle istruzioni potrebbe causare scosse elettriche, incendio e/o gravi lesioni. Mantenere gli avvisi di sicurezza e le istruzioni a portata di mano per future consultazioni.

I seguenti simboli sono utilizzati nel presente manuale utente o sul prodotto:



Leggere il manuale per l'utente.



Denota il rischio di lesioni personali, morte o danni all'utensile in caso di mancata osservanza delle istruzioni contenute nel presente manuale.



Rischio di oggetti volanti. Tenere lontano chiunque si trovi nelle vicinanze dall'area di lavoro.



Rischio di scosse elettriche.



Disconnettere immediatamente la spina di alimentazione dalla rete elettrica qualora il cavo di alimentazione risulti danneggiato e durante ogni operazione di pulitura e manutenzione.



Indossare occhiali di protezione.



Indossare protezioni per l'udito.



Indossare guanti di protezione.



Non premere il pulsante di blocco dell'albero con il motore in funzione.



Rischio di incendi.



Apparecchio di Classe II - Doppio isolamento - Non e necessario il collegamento a terra.



Non smaltire il prodotto in contenitori non idonei.



Il prodotto e conforme alle norme di sicurezza applicabili ai sensi delle direttive europee vigenti.

REGOLE GENERALI DI SICUREZZA



ATTENZIONE! Leggere tutte le avvertenze di sicurezza e tutte le istruzioni. Se non si seguono tutte le istruzioni sotto elencate, si può incorrere in uno shock elettrico, in un incendio e/o in lesioni serie.

Conservare queste istruzioni.

Il termine "arnese elettrico" in tutti gli avvertimenti sotto elencati si riferisce al vostro arnese elettrico che funziona a corrente (con filo) o ad un arnese che funziona a pile (senza filo).

1) Area di lavoro

- a) **Mantenere l'area di lavoro pulita e ben illuminata.** Aree buie e disordinate favoriscono gli incidenti.
- b) **Non usare arnesi elettrici in atmosfere esplosive, come vicino ai liquidi infiammabili, gas o polveri.** Gli arnesi elettrici creano scintille che possono incendiare la polvere dei vapori.
- c) **Tenere lontani bambini e altre persone mentre si accende l'arnese elettrico.** Le distrazioni possono farvi perdere il controllo.

2) Sicurezza elettrica

- a) **Le spine dell'arnese elettrico devono andare bene per la presa di corrente. Non modificare mai la spina in alcun modo. Non usare alcun adattatore con arnesi elettrici a terra (messo a terra).** Spine non modificate che vanno bene per le prese di corrente ridurranno il rischio di shock elettrico.
- b) **Evitare il contatto corporeo con superfici a terra come tubature, radiatori, fornelli e refrigeratori.** C'è un rischio maggiore di shock elettrico se il vostro corpo è a terra.
- c) **Non esporre arnesi elettrici alla pioggia o a condizioni di umidità.** Se dell'acqua penetra nell'arnese elettrico aumenterà il rischio di shock elettrico.
- d) **Non abusare del filo. Non usare mai il filo per trasportare, spingere o staccare dalla presa l'arnese elettrico. Tenere il filo lontano da calore, olio, bordi taglienti o parti mobili.** Fili danneggiati o aggrovigliati aumentano il rischio di shock elettrico.
- e) **Quando si accende un arnese elettrico all'aperto, usare una prolunga adatta a tale uso.** Usare un filo adatto all'uso all'aperto ridurrà il rischio di shock elettrico.

- f) **Se non è possibile evitare l'uso di un elettrotensile in ambiente umido, usare una rete di alimentazione protetta da un interruttore differenziale (salvavita).** L'uso di un salvavita riduce il rischio di scosse elettriche.

3) Sicurezza personale

- a) **Stare vigili e attento quando si accende un arnese elettrico. Non usare un arnese elettrico mentre si è stanco o sotto l'effetto di droghe, alcool o medicinali.** Un momento di disattenzione mentre si accendono arnesi elettrici può causare delle gravi lesioni personali.
- b) **Usare dispositivi di protezione individuale. Indossare sempre una protezione per gli occhi.** Dispositivi di sicurezza come mascherina per la polvere, scarpe di sicurezza antiscivolo, casco, o protezioni per le orecchie usate nelle appropriate condizioni, ridurranno le lesioni personali.
- c) **Prevenire l'avvio accidentale. Assicurarsi che l'interruttore sia spento prima di collegarsi.** Trasportare elettrotensili tenendo il dito sull'interruttore di accensione o dare corrente ad elettrotensili con l'interruttore acceso può dare luogo a incidenti.
- d) **Rimuovere ogni chiave regolatrice o chiave per dadi prima di accendere l'arnese elettrico.** Una chiave per dadi o una chiave lasciata attaccata ad una parte rotante dell'arnese elettrico può provocare lesioni personali.
- e) **Cercare di mantenere l'equilibrio. Mantenere sempre un punto d'appoggio appropriato.** Questo consente un controllo migliore dell'arnese elettrico in situazioni inaspettate.
- f) **Vestirsi adeguatamente. Non indossare vestiti larghi o gioielli. Tenere lontano capelli, vestiti e guanti dalle parti mobili.** Vestiti larghi, gioielli o capelli lunghi possono essere presi nelle parti mobili.
- g) **Se vengono forniti dispositivi per la connessione dell'estrazione della polvere e attrezzature di raccolta, assicurarsi che questi siano collegati e usati correttamente.** L'uso di questi dispositivi può ridurre i rischi correlati alla polvere.
- h) **Non lasciare che la confidenza acquisita dall'uso frequente induca l'utilizzatore ad assumere comportamenti imprudenti e a ignorare i principi di sicurezza per l'utensile.** Una semplice distrazione può provocare gravi lesioni personali in una frazione di secondo.

4) Uso e manutenzione dell'arnese elettrico

- a) **Non forzare l'arnese elettrico. Usare l'arnese elettrico corretto per il vostro impiego.** L'arnese elettrico corretto farà il lavoro meglio e in maniera più sicura alla velocità per la quale è stato progettato.
- b) **Non usare l'arnese elettrico se l'interruttore non si accende o non si spegne.** Ogni arnese elettrico che non può essere controllato con l'interruttore è pericoloso e deve essere riparato.
- c) **Scollegare la spina dalla sorgente di elettricità prima di fare qualsiasi regolazione, cambiare gli accessori, o conservare arnesi elettrici.** Tali misure di sicurezza preventive riducono il rischio di accendere l'arnese elettrico accidentalmente.
- d) **Conservare gli arnesi elettrici inattivi fuori dalla portata dei bambini e non permettere a persone che non hanno confidenza con l'arnese elettrico o con queste istruzioni di usare l'arnese elettrico.** Gli arnesi elettrici sono pericolosi per utenti inesperti.
- e) **Mantenere gli arnesi elettrici. Controllare il non allineamento o l'attacco di parti mobili, la rottura di parti ed ogni altra condizione che può influire sul funzionamento degli arnesi elettrici. Se è danneggiato, far riparare l'arnese elettrico prima dell'uso.** Molti incidenti sono causati da arnesi elettrici mantenuti male.
- f) **Mantenere gli arnesi da taglio affilati e puliti.** È meno probabile che si attacchino degli arnesi da taglio mantenuti correttamente con tagli affilate e questi sono anche più facili da controllare.
- g) **Usare l'arnese elettrico, gli accessori e le parti dell'arnese ecc, secondo queste istruzioni e nel modo pensato per il particolare tipo di arnese elettrico, tenendo conto delle condizioni di lavoro e del lavoro da svolgere.** L'uso dell'arnese elettrico per operazioni diverse da quelle pensate potrebbe causare situazioni pericolose.
- h) **Mantenere le impugnature e le superfici di presa asciutte, pulite e libere da olio e grasso.** Impugnature e superfici di presa scivolose non consentono di maneggiare e controllare in sicurezza l'utensile in situazioni impreviste.
- 5) **Riparazione**
- a) **L'assistenza per l'elettrotensile deve essere prestata da un tecnico qualificato che utilizzi soltanto ricambi originali.** In questo modo viene garantita la sicurezza dell'elettrotensile.

AVVERTENZE DI SICUREZZA SPECIFICHE PER LE OPERAZIONI DI MOLATURA O TAGLIO ABRASIVO

- a) **Questo elettrotensile è inteso per l'uso come mola. Leggere tutte le avvertenze di sicurezza, le istruzioni, le illustrazioni e le specifiche tecniche fornite insieme a questo elettrotensile.** La mancata osservanza delle avvertenze di sicurezza e delle istruzioni potrebbe causare scosse elettriche, incendi e/o lesioni gravi.
- b) **L'esecuzione di operazioni quali levigatura con abrasivi, spazzolatura e lucidatura con questo elettrotensile non è raccomandata.** L'esecuzione di operazioni non previste per l'elettrotensile potrebbe creare dei rischi e provocare lesioni personali.
- c) **Non utilizzare accessori non progettati specificamente e non raccomandati dal costruttore dell'elettrotensile.** Il solo fatto che l'accessorio si attacchi all'elettrotensile non assicura la sicurezza operativa.
- d) **La velocità nominale dell'accessorio deve essere almeno pari alla velocità massima indicata sull'elettrotensile.** Gli accessori che funzionano a una velocità superiore alla propria velocità nominale possono rompersi e staccarsi.
- e) **Il diametro esterno e lo spessore dell'accessorio devono rientrare nella capacità nominale dell'elettrotensile.** Gli accessori di dimensioni non corrette non possono essere adeguatamente protetti o controllati.
- f) **La filettatura degli accessori deve corrispondere al filetto del mandrino della smerigliatrice. Per gli accessori attaccati tramite flangia, il foro dell'albero dell'accessorio deve corrispondere al diametro della flangia.** Gli accessori il cui sistema di attacco non corrisponde alla struttura di montaggio dell'elettrotensile si sbilanciano, vibrano eccessivamente e possono causare la perdita di controllo.
- g) **Non utilizzare un accessorio danneggiato. Prima di ogni utilizzo controllare gli accessori per verificare ad esempio che sui dischi abrasivi non vi siano scheggiature e lesioni, che non siano presenti crepe o segni eccessivi di usura sul platorello, che le spazzole metalliche non abbiano filamenti metallici staccati o spezzati. Se l'elettrotensile o l'accessorio cade, verificare gli eventuali danni o montare un accessorio integro. Dopo aver controllato e montato un accessorio, l'operatore e le alter**

persone eventualmente presenti devono sistemarsi lontano dal piano dell'accessorio rotante e l'elettrotensile deve essere fatto girare a vuoto alla massima velocità per un minuto. Gli accessori danneggiati normalmente si rompono durante questa fase di verifica.

- h) **Indossare dispositivi di protezione individuale. A seconda delle operazioni da eseguire, utilizzare una maschera o occhiali protettivi. Se opportuno, indossare una maschera antipolvere, protezioni acustiche, guanti e un grembiule da lavoro in grado di arrestare frammenti abrasivi o di lavorazione di piccole dimensioni.** Il dispositivo di protezione oculare deve impedire ai detriti volanti prodotti durante l'esecuzione delle varie lavorazioni di raggiungere gli occhi. La maschera antipolvere o il respiratore devono essere in grado di filtrare le particelle generate durante l'esecuzione delle varie lavorazioni. L'esposizione prolungata a rumori di elevate intensità può causare la perdita dell'udito.
- i) **Tenere le persone presenti a distanza di sicurezza dall'area di lavoro. Chiunque accede all'area di lavoro deve indossare dispositivi di protezione individuale adeguati.** Frammenti del pezzo da lavorare o di un accessorio rotto possono volare e causare danni o lesioni anche oltre l'immediata area di lavoro.
- j) **Quando si eseguono operazioni in cui l'accessorio di taglio può entrare in contatto con fili elettrici nascosti o con il cavo di alimentazione dell'elettrotensile, tenerlo esclusivamente dalle impugnature, che sono isolate.** Gli accessori da taglio che vengono a contatto con un cavo sotto tensione trasmettono la corrente elettrica anche alle parti metalliche esposte dell'elettrotensile con il pericolo di provocare la folgorazione dell'operatore.
- k) **Posizionare il cavo di alimentazione lontano dall'accessorio rotante.** In caso di Perdita di controllo, il cavo potrebbe essere tagliato o impigliarsi, trascinando la mano o il braccio dell'operatore verso l'accessorio rotante.
- l) **Non appoggiare mai l'elettrotensile finché l'accessorio non si sia completamente arrestato.** L'accessorio rotante potrebbe fare presa sulla superficie e trascinare l'elettrotensile facendone perdere il controllo.
- m) **Non accendere l'elettrotensile mentre lo si trasporta sul fianco.** Un contatto accidentale con l'accessorio rotante potrebbe farlo impigli-

are agli indumenti dell'operatore trascinandolo verso il suo corpo.

- n) **Pulire regolarmente le prese d'aria dell'elettrotensile.** La ventola di raffreddamento del motore attira la polvere all'interno dell'alloggiamento e l'accumulo eccessivo di metallo polverizzato può causare rischi elettrici.
- o) **Non utilizzare l'elettrotensile in prossimità di materiali infiammabili.** Le scintille potrebbero incendiare tali materiali.
- p) **Non utilizzare accessori che richiedono refrigeranti liquidi.** L'utilizzo di acqua o altri liquidi refrigeranti può provocare elettrocuzione o scosse elettriche.

Contraccolpo e relative avvertenze

Il contraccolpo è una reazione improvvisa provocata da un disco, un platello, una spazzola o qualsiasi altro accessorio in rotazione che rimanga schiacciato o impigliato. Ciò provoca un arresto immediato dell'accessorio rotante che a sua volta causa la perdita di controllo dell'elettrotensile, che viene spinto nella direzione opposta rispetto alla rotazione dell'accessorio nel punto in cui è stato trattenuto. Ad esempio, se il disco abrasivo rimane schiacciato o impigliato dal pezzo da lavorare, il bordo del disco penetrato nel punto di schiacciamento può scavare nel materiale e causare lo scavalco o il contraccolpo del disco. Il disco può saltare sia verso l'operatore che in direzione opposta a seconda della direzione del movimento del disco nel punto di schiacciamento. In queste condizioni i dischi abrasivi possono anche rompersi. Il contraccolpo è il risultato di un uso errato dell'elettrotensile e/o di metodi o condizioni di lavoro scorretti e può essere evitato prendendo le appropriate precauzioni, come descritto di seguito.

- a) **Mantenere una presa salda sull'elettrotensile, posizionando il corpo e le braccia in modo da resistere alle forze di contraccolpo. Utilizzare sempre l'impugnatura ausiliaria, se presente, per avere il massimo controllo sulla forza di contraccolpo o sulla reazione di coppia durante l'avviamento.** Con le necessarie precauzioni, l'operatore può controllare le reazioni di coppia e le forze di contraccolpo.
- b) **Non porre mai le mani vicino all'accessorio in rotazione.** L'accessorio potrebbe subire un contraccolpo rimbalzando sulle mani dell'operatore.

- c) **Non posizionarsi nell'area verso cui potrebbe dirigersi l'elettrotensile in caso di contraccolpo.** Il contraccolpo spinge l'elettrotensile nella direzione opposta al movimento del disco nel punto in cui si impiglia.
- d) **Prestare particolare attenzione quando si lavorano angoli, estremità appuntite ecc. Evitare che l'accessorio rimbalzi o si impigli.** Angoli, estremità appuntite o rimbalzi tendono a fare impigliare l'accessorio rotante, provocando la perdita di controllo o il contraccolpo dell'elettrotensile.
- e) **Non collegare una lama da motosega per legno o una lama dentata.** Queste lame creano contraccolpi e perdita di controllo frequenti.

AVVERTENZE DI SICUREZZA SPECIFICHE PER LE OPERAZIONI DI SMERIGLIATURA O TAGLIO ABRASIVO

- a) **Utilizzare esclusivamente tipi di dischi raccomandati per il proprio elettrotensile e la protezione specifica per il disco selezionato.** I dischi non concepiti per quell'elettrotensile non possono essere protetti adeguatamente e non sono sicuri.
- b) **La superficie di smerigliatura dei dischi a centro depresso deve essere montata sotto al piano della linguetta della protezione.** Non è possibile fornire una protezione adeguata a un disco non montato correttamente che sporge dal piano della linguetta della protezione.
- c) **La protezione deve essere fissata saldamente all'elettrotensile e posizionata in modo da garantire la massima sicurezza, facendo sì che il disco sporga il meno possibile verso l'operatore.** La protezione serve a proteggere l'operatore da frammenti del disco rotti, dal contatto accidentale con il disco e dalle scintille che potrebbero incendiare gli indumenti.
- d) **I dischi devono essere usati solo per eseguire le lavorazioni per cui sono raccomandate. Per esempio, non molare utilizzando il disco dal lato di taglio.** I dischi per taglio abrasivo sono progettati per la smerigliatura periferica. Forze laterali applicate a questi dischi possono causarne la frantumazione.
- e) **Per i dischi utilizzare sempre flange non danneggiate, della dimensione e forma corretta per il disco scelto.** Se le flange sono appropriate, sostengono il disco, riducendo la possibilità di rottura. Le flange per i dischi da taglio abrasivo

possono essere diverse da quelle per i dischi da smerigliatura.

- f) **Non utilizzare dischi usurati di elettrotensili più grandi.** I dischi destinati ad elettrotensili più grandi non sono adatti alle maggiori velocità degli elettrotensili più piccoli e potrebbero spaccarsi.

AVVERTENZE DI SICUREZZA AGGIUNTIVE SPECIFICHE PER LE OPERAZIONI DI TAGLIO ABRASIVO



Le operazioni di taglio abrasive possono essere eseguite solo in presenza di una speciale protezione (non inclusa) fig. C2 - D2

- a) **Non far incastrare il disco da taglio né applicare una pressione eccessiva. Non tentare di eseguire tagli troppo profondi.** Eccessive sollecitazioni del disco ne aumentano il carico e la suscettibilità alla torsione o all'inceppamento nel taglio, con la possibilità di contraccolpi o di rotture.
- b) **Non posizionarsi con il corpo allineato al disco in rotazione e rimanere dietro di esso.** Quando il disco si muove nella direzione di allontanamento dal corpo, il possibile contraccolpo potrebbe la mola in rotazione e l'elettrotensile direttamente verso di sé.
- c) **Quando il disco si inceppa o quando un taglio si interrompe per qualsiasi ragione, spegnere l'elettrotensile e tenerlo immobile fino al suo completo arresto. Non tentare mai di rimuovere il disco da taglio mentre è in movimento, altrimenti potrebbe verificarsi un contraccolpo.** Esaminare e intraprendere azioni correttive per eliminare le cause che inceppano la lama.
- d) **Non riprendere il taglio nel pezzo in lavorazione. Far raggiungere la massima velocità al disco e poi rientrare con attenzione nel taglio.** Se l'elettrotensile viene riavviato quando è ancora dentro al pezzo in lavorazione il disco potrebbe incepparsi, scavalcare il pezzo o subire un contraccolpo.
- e) **Pannelli o altri pezzi di grandi dimensioni devono essere sorretti per ridurre al minimo il rischio che la mola si schiacci o subisca un contraccolpo. I pezzi più grandi tendono a incurvarsi sotto il loro stesso peso.** È opportuno collocare dei supporti sotto al pezzo da entrambi i lati, vicino la linea di taglio e alle estremità del pannello, da entrambi i lati del disco.

- f) **Prestare ancora più attenzione quando si eseguono “tagli a tuffo” all’interno di pareti esistenti o di altre aree cieche.** La parte sporgente del disco potrebbe tagliare tubi del gas o dell’acqua, cavi elettrici od oggetti che possono provocare un contraccolpo.

Sicurezza elettrica



Controllare sempre che la tensione di alimentazione corrisponda alla tensione indicata sulla targhetta delle caratteristiche.

- Non utilizzare l'elettrotensile quando il cavo o la spina di alimentazione sono danneggiati.
- Utilizzare esclusivamente cavi di prolunga idonei per la potenza nominale dell'elettrotensile, con conduttori di sezione minima di 1.5 mm². Quando si utilizza un cavo di prolunga con avvolgicavo, svolgere sempre completamente il cavo.
- Se il cavo di alimentazione di questo elettrotensile risulta danneggiato, deve essere sostituito con un cavo di alimentazione appositamente predisposto disponibile tramite la ditta di assistenza.

2. INFORMAZIONI RELATIVE ALL'E-LETTROTENSILE

Uso previsto

Questa smerigliatrice angolare è stata progettata per la smerigliatura di muratura e acciaio senza l'uso di acqua. Per le operazioni di taglio deve essere utilizzata una protezione speciale (non inclusa).
Fig. D2.



Non idoneo per l'uso in cantiere.

DATI TECNICI

| | |
|--------------------------|----------------|
| Numero modello | AG506AC |
| Tensione di rete | 220-240V~ |
| Frequenza di rete | 50/60Hz |
| Potenza assorbita | 2600W |
| Velocità a vuoto | 6500 /min |
| Diametro | |
| Disco abrasivo: | 230 mm |
| Alésaggio: | 22,2 mm |
| Filettatura del mandrino | M14 |
| Peso | 6,7 kg |

| | |
|--|--|
| Livello di pressione sonora L _{PA} | 96,1 dB(A), K=3dB(A) |
| Livello di potenza sonora L _{WA} | 107,1 dB(A), K=3dB(A) |
| Vibrazioni “smerigliatura di superficie” a _{h,AG} | 7,86 m/s ² , K=1,5 m/s ² |



Indossare protezioni per l'udito.

Livello delle vibrazioni

Il livello di emissione delle vibrazioni indicato sul retro di questo manuale di istruzioni è stato misurato in conformità a un test standardizzato stabilito dalla norma EN 60745-1 e EN 60745-2-3 questo valore può essere utilizzato per mettere a confronto un l'utensile con un altro o come valutazione preliminare di esposizione alla vibrazione quando si impiega l'utensile per le applicazioni menzionate.

- l'emissione di vibrazioni durante l'uso effettivo dell'elettrotensile può differire dal valore totale dichiarato a seconda delle modalità di utilizzo dell'apparato;
- necessità di individuare misure di sicurezza a tutela dell'operatore che si basino su una stima dell'esposizione nelle condizioni reali di utilizzo (tenendo conto di tutte le parti del ciclo operativo, quali i tempi di spegnimento dell'elettrotensile e di funzionamento a vuoto in aggiunta al tempo di attivazione).

Proteggersi dagli effetti della vibrazione effettuando la manutenzione dell'utensile e dei relativi accessori, mantenendo le mani calde e organizzando i metodi di lavoro.

DESCRIZIONE

I numeri che compaiono nel testo si riferiscono agli schemi riportati alle pagine 2-4.

1. Pulsante di blocco mandrino
2. Brugola
3. Protezione
4. Coperchio spazzola in carbonio
5. Interruttore On/Off
6. Punto di attacco impugnatura laterale
7. Impugnatura laterale
8. Chiave a brugola
9. Impugnatura posteriore
10. Mandrino
11. Flangia di montaggio
12. Disco (non incluso)
13. Dado di serraggio
14. Chiave

3. MONTAGGIO



Prima del montaggio, spegnere sempre l'elettrotensile e disconnettere la spina di alimentazione dalla rete elettrica.

Montaggio della protezione (Figure C e D)

1. Appoggiare l'elettrotensile su un tavolo con il mandrino (10) rivolto verso l'alto.
2. Collocare la protezione (3) sopra la testadell'elettrotensile, come illustrato nella Figura C, assicurandosi che i bordi in rilievo sulla protezione si incastrino nelle tacche della testa dell'elettrotensile.
3. Ruotare la protezione in senso antiorario come illustrato nella Figura D.
4. Stringere la brugola (2) sulla protezione con la chiave a brugola (8).
5. Per regolare la posizione della protezioneallentare la brugola (2), sistemare la protezione nella posizione desiderata e stringere nuovamente la brugola.



Non tentare mai di utilizzare l'elettrotensile senza la protezione.

Inserimento e rimozione del disco (Figura B)



Non utilizzare la macchina senza la protezione.



Utilizzare esclusivamente dischi affilati e non danneggiati.

Montaggio

1. Appoggiare l'elettrotensile su un tavolo con la protezione (3) rivolta verso l'alto.
2. Inserire la flangia (11) sul mandrino (10).
3. Collocare il disco (12) sul mandrino (10).
4. Mantenere premuto il pulsante di blocco del mandrino (1) e stringere saldamente il dado di serraggio (13) sul mandrino (10) con la chiave (14).

Rimozione

1. Appoggiare l'elettrotensile su un tavolo con la protezione (3) rivolta verso l'alto.
2. Mantenere premuto il pulsante di blocco del mandrino (1) e allentare il dado di serraggio (13) con la chiave (14).
3. Rimuovere il disco (12) dal mandrino (10).

4. Mantenere premuto il pulsante di blocco del mandrino (1) e stringere saldamente il dado di serraggio (13) con la chiave (14).

Montaggio dell'impugnatura laterale (Fig. A e E)

L'impugnatura laterale (7) può essere avvitata in uno dei tre punti di attacco (6).

4. UTILIZZO



Assicurarsi che il pezzo in lavorazione sia sostenuto correttamente o fissato.

Accensione e spegnimento (Figura A)

- Per accendere l'elettrotensile rilasciare l'interruttore On/Off (5).
- Per spegnere l'elettrotensile rilasciare l'interruttore On/Off (5).
- Quando si accende o si spegne l'elettrotensile, mantenerlo lontano dal pezzo da lavorare, perché il disco potrebbe danneggiarlo.
- Bloccare saldamente il pezzo da lavorare in una morsa oppure utilizzare un altro metodo per fare in modo che rimanga fermo durante la lavorazione.
- Verificare regolarmente le condizioni dei dischi. I dischi usurati incidono negativamente sull'efficienza dell'elettrotensile. Sostituire i dischi in tempo utile.

Sbavatura (Figura F)



Un angolo d'inclinazione di 30-40° darà i migliori risultati durante l'operazione di sbavatura. Spostare l'elettrotensile indietro e avanti esercitando una leggera pressione. In questo modo si eviterà che il pezzo da lavorare si scolori o si riscaldi troppo e che si formino scanalature.



Non utilizzare dischi da taglio abrasive per l'operazione di sbavatura.

Taglio (Figura G)



Per le operazioni di taglio deve essere utilizzata una protezione speciale illustrata nella Figura D2 (non inclusa).

Mantenere una presa salda sul pezzo da lavorare per prevenire vibrazioni e non inclinare l'elettrotensile o esercitare pressione durante il taglio. Durante la lavorazione applicare una pressione

moderata, adatta al materiale sul quale si sta lavorando. Non frenare i dischi applicando una compressione laterale. La direzione in cui si desidera eseguire il taglio è importante. L'elettrotensile deve sempre funzionare nella direzione opposta a quella del taglio, perciò non muovere mai l'elettrotensile nell'altra direzione! Vi è il rischio che l'elettrotensile si incagli nel taglio provocando un contraccolpo e la conseguente perdita di controllo.

Suggerimenti per un utilizzo ottimale

- Bloccare il pezzo da lavorare in una morsa. Utilizzare un morsetto per i pezzi di piccole dimensioni.
- Tenere l'elettrotensile con entrambe le mani.
- Accendere l'elettrotensile.
- Attendere che l'elettrotensile raggiunga la velocità piena.
- Posizionare il disco sul pezzo da lavorare.
- Muovere lentamente l'elettrotensile lungo il pezzo da lavorare, premendo con decisione il disco contro il pezzo.
- Non esercitare troppa pressione sull'elettrotensile. Lasciare che l'elettrotensile svolga il lavoro.
- Spegnerne l'elettrotensile e attendere che si arresti completamente prima di appoggiarlo.

5. MANUTENZIONE



Prima di eseguire qualsiasi operazione di pulizia e intervento di manutenzione spegnere sempre l'elettrotensile e staccare la spina dalla presa di corrente.

Pulire regolarmente il corpo dell'elettrotensile con un panno morbido, preferibilmente dopo ogni uso. Assicurarsi che le prese d'aria siano libere da polvere e sporcizia. Rimuovere lo sporco particolarmente ostinato con un panno morbido inumidito con acqua e sapone. Non utilizzare solventi come benzina, alcol, ammoniaca, ecc. Le sostanze chimiche di questo tipo danneggiano i componenti sintetici.

RISPETTO AMBIENTALE



Le apparecchiature elettriche o elettroniche difettose e/o scartate devono essere raccolte presso gli opportuni siti di riciclaggio.

Solo per i Paesi CE

Non smaltire gli elettrotensili insieme ai rifiuti domestici. Secondo la Direttiva europea 2012/19/EU sui rifiuti delle apparecchiature elettriche ed elettroniche e relativa implementazione nelle normative locali, gli elettrotensili ormai inutilizzabili devono essere raccolti separatamente e smaltiti in modo ecologico.

DEFINIZIONI DELLA GARANZIA

I prodotti VONROC sono sviluppati secondo i più elevati standard di qualità e viene garantita l'assenza di difetti nei materiali e nella manodopera per il periodo contrattuale a partire dalla data di acquisto originale. Qualora il prodotto dovesse subire un guasto qualsiasi durante questo periodo a causa di difetti nei materiali e/o nella manodopera, si prega di contattare direttamente il VONROC.

Le seguenti circostanze sono escluse da questa garanzia:

- Riparazioni e/o modifiche alla macchina sono state eseguite o tentate da centri di assistenza non autorizzati.
- Normale usura.
- L'utensile è stato abusato, utilizzato o manutenuito in modo improprio.
- Sono state utilizzate parti di ricambio non originali

Ciò costituisce l'unica garanzia espressa o implicita fornita dall'azienda. Non esistono altre garanzie espresse o implicite che si estendono oltre il presente documento, ivi comprese le garanzie implicite di commerciabilità e idoneità per uno scopo particolare. In nessun caso VONROC sarà responsabile di eventuali danni incidentali o consequenziali. I rimedi dei rivenditori saranno limitati alla riparazione o sostituzione di unità o parti non conformi.

Il prodotto e il manuale per l'utente sono soggetti a modifiche. I dati tecnici possono essere modificati senza ulteriore notifica.

1. SÄKERHETSFÖRESKRIFTER

Läs de medföljande säkerhetsvarningarna, de tillkommande säkerhetsvarningarna och anvisningarna. Om inte säkerhetsvarningarna och anvisningarna följs kan detta orsaka elstötar, brand och/eller allvarliga kroppsskador. Behåll säkerhetsvarningarna och anvisningarna för framtida bruk.

Följande symboler används i bruksanvisningen eller på produkten:



Läs igenom bruksanvisningen.



Anger risk för personskada, dödsfall eller skada på verktyget om anvisningarna i denna handbok inte följs.



Risk för flygande föremål. Håll kringstående borta från arbetsområdet.



Risk för elstöt.



Dra omedelbart ut nätkontakten ur vägguttaget om nätsladden skadas och även under rengöring och underhåll.



Använd skyddsglasögon.



Använd hörselskydd.



Använd skyddshandskar.



Tryck inte på spindellåsknappen när motorn är igång.



Brandrisk.



Klass II-maskin - dubbel isolering - du behöver ingen jordad kontakt.



Släng inte produkten i olämpliga behållare.



Produkten är i överensstämmelse med tillämpliga säkerhetsstandarder i EU-direktiven.

ALLMÄNNA SÄKERHETSFRÖRESKRIFTER



Varning! Läs alla säkerhetsvarningar och alla anvisningar. Om inte alla instruktioner som anges nedan efterföljs kan detta leda till el-stötar, eldsvåda och/eller allvarliga skada.

Spara dessa instruktioner.

Termen "elektriskt redskap" i varningarna som anges nedan hänvisar till elektriska verktyg (med sladd, anslutet till el-nätet) eller batteridrivna (sladdlösa) elektriska verktyg.

1) Arbetsutrymme

- Se till att arbetsutrymmet är städad och väl upplyst.** Stökiga och mörka utrymmen ger anledning till olyckor.
- Använd inte elektriska verktyg i explosiv luft, såsom i närheten av lättantändliga vätskor, gaser eller damm.** Elektriska verktyg åstadkommer gnistor som kan sätta eld på damm eller gas.
- Håll barn och obehöriga på avstånd när du använder ett elektriskt verktyg.** Om du blir distraherad kan du tappa kontrollen över verktyget.

2) El-säkerhet

- Stickkontakten till elektriska verktyg måste passa el-uttaget. Ändra aldrig på något sätt på stickkontakten. Använd inte adapterkontakter till jordade elektriska verktyg.** Oförändrade stickkontakter och passande uttag minskar risken för el-stötar.
- Undvik kroppskontakt med jordade ytor såsom rör, element, spisar och kylskåp.** Risken för el-stöt är större om din kropp är jordad.
- Låt inte elektriska verktyg utsättas för regn eller våta förhållanden.** Om det kommer in vatten i ett elektriskt verktyg ökar risken för el-stötar.
- Skada inte kabeln. Använd aldrig kabeln för att bära eller dra det elektriska verktyget eller för att dra ut stickkontakten. Håll sladden borta från höga temperaturer, olja, vassa kanter eller rörliga delar.** Skadade eller hoptrasslade kablar ökar risken för el-stötar.
- När du använder ett elektriskt verktyg utomhus måste förlängningskabeln vara lämplig för utomhusbruk.** Om man använder en förlängningskabel för utomhusbruk minskar risken för el-stötar.
- Använd jordfelskydd (RCD) om arbete med ett elverktyg i fuktig miljö är oundvikligt.** Användning av RCD minskar risken för elstötar.

3) Personlig säkerhet

- Var uppmärksam, titta på det du håller på med och använd sunt förnuft när du arbetar med ett elektriskt verktyg. Använd inte elektriska verktyg när du är trött eller står under inflytande av droger, alkohol eller mediciner.** Ett ögonblick ouppmärksamhet vid användandet av elektriska

- verktyg kan leda till allvarliga personskador.
- b) **Använd personlig skyddsutrustning. Bär alltid skyddsglasögon.** Säkerhetsutrustning såsom skyddsmasker, skor med anti-halksula, hjälm eller hörselskydd som används vid rätt omständigheter kommer att minska personskador.
 - c) **Förhindra oavsiktlig igångsättning. Se till att strömbrytaren är avslagen innan du sätter stickkontakten i eluttaget.** Om du bär elverktyg med fingret på brytaren eller strömsätter elverktyg vars brytare är aktiverad kan du råka ut för en olycka.
 - d) **Ta bort skiftnycklar och skruvnycklar innan ett elektriskt verktyg slås på.** En skift- eller skruvnyckel som lämnas kvar fastsatt vid det elektriska verktygets roterande delar kan leda till personskada.
 - e) **Sträck dig inte för långt. Se till att du alltid står stadigt och i balans.** På så sätt har du bättre kontroll över det elektriska verktyget i oväntade situationer.
 - f) **Klä dig rätt. Bär inte löst sittande kläder eller smycken. Håll håret, kläder och handskar borta från rörliga delar.** Löst sittande kläder, smycken eller långt hår kan fastna i de rörliga delarna.
 - g) **Om apparater för uppsugning och uppsamling av damm finns tillgängliga, se till att de ansluts och används korrekt.** Om sådana apparater används kan dammrelaterade faror minskas.
 - h) **Låt inte erfarenheten som uppnås vid frekvent användning av verktyg låta dig bli för självsäker och ignorera verktygs säkerhetsprinciperna.** En oförsiktig handling kan orsaka allvarliga skador under bråkdelen av en sekund.
- 4) **Underhåll av elektriska verktyg**
 - a) **Överbelasta inte ett elektriskt verktyg. Använd rätt sorts verktyg till det arbete du vill utföra.** Rätt sorts elektriskt verktyg gör arbetet bättre och säkrare i den hastighet det var designat för.
 - b) **Använd inte verktyget om strömbrytaren är trasig.** Om ett elektriskt verktyg inte kan kontrolleras med hjälp av en strömbrytare är det farligt och måste lagas.
 - c) **Koppla loss stickkontakten från verktyget innan du utför några justeringar, byter tillbehör eller förvarar det.** Med dessa preventiva säkerhetsåtgärder minskas risken för att det elektriska verktyget går på av misstag.
 - d) **Förvara elektriska verktyg som inte är i bruk utom räckhåll för barn och låt inte personer som inte känner till verktyget eller dessa instruktioner använda det.** Elektriska verktyg är farliga i händerna på oerfarna användare.
 - e) **Underhåll elektriska verktyg. Kontrollera att alla rörliga delar är i rät linje och fastsatta, att inga delar är trasiga och att de är korrekt monterade. Kontrollera även annat som kan påverka verktygets funktion. Om det elektriska verktyget är trasigt måste det repareras innan det tas i bruk.** Många olyckor förorsakas av dåligt underhållna elektriska verktyg.
 - f) **Håll alltid sågande och skärande verktyg vassa och rena.** Sågande och skärande verktyg med vassa eggar/skär fastnar inte så lätt och är enklare att hålla kontroll över.
 - g) **Använd det elektriska verktyget, dess tillbehör, borrar eller skärande delar etc. enligt dessa instruktioner och på det sätt som det är avsett för. Ta med förutsättningarna och det arbete som ska utföras i beräkningarna.** Att använda ett elektriskt verktyg för andra arbeten än det är avsett för kan resultera i farliga situationer.
 - h) **Se till att handtagen är torra, rena och fria från olja och fett.** Hala handtag och grepppytor tillåter inte säker hantering och kontroll av verktyget i oväntade situationer.
- 5) **Service**
 - a) **Låt ditt elverktyg servas av en kvalificerad reparatör och enbart med originalreservdelar.** Detta säkerställer att elverktygets säkerhet upprätthålls.

SÄKERHETSVARNINGAR GEMENSAMMA FÖR SLIPNING OCH KAPSLIPNING

- a) **Detta elverktyg är avsett att användas som ett slipverktyg. Läs alla säkerhetsvarningar, anvisningar, illustrationer och specifikationer som medföljer detta elverktyg.** Underlåtenhet att följa alla anvisningar som anges nedan kan resultera i elstöt, brand och/eller allvarlig skada.
- b) **Det rekommenderas att sandning, stålborstning och polering inte utförs med detta elverktyg.** Användning av elverktyget i andra syften än det avsedda kan medföra fara och orsaka personskada.
- c) **Använd inte tillbehör som inte specifikt har utformats och rekommenderats av verktygstillverkaren.** Bara för att tillbehöret kan användas med ditt elverktyg innebär det inte att det är säkert.
- d) **Tillbehörets nominella varvtal får inte vara**

- högre än det högsta varvtalet som anges på elverktyget.** Tillbehör som körs med högre varvtal än det nominella varvtalet kan gå sönder och flyga isär.
- e) **Ditt tillbehörs yttre diameter och tjocklek måste vara i enlighet med ditt elverktygs kapacitetssklassning.** Tillbehör av felaktig storlek kan inte skyddas och kontrolleras i tillräcklig utsträckning.
- f) **Tillbehör med gänginsats måste passa exakt till slippindelns gänga. Om tillbehör monteras med fläns måste tillbehörets håldiameter passa till flänsens infästningsdiameter.** Tillbehör som inte passer elverktygets monteringshårdvara kommer att vara i obalans och vibrera för mycket, vilket kan leda till att du förlorar kontrollen.
- g) **Använd inte ett skadat tillbehör. Inspektera slipskivor och slipplattor för flisor, sprickor och slitage samt stålborsten för lösa eller spruckna ledningar före användning. Om elverktyget eller ett tillbehör tappas, inspektera det för skador eller installera ett oskadat tillbehör. Efter inspektion och installation av ett tillbehör, håll dig själv och kringstående borta från det roterande tillbehörets rotationsplan och kör verktyget med maximalt tomgångsvarvtal i en minut.** Skadade tillbehör faller normalt sönder under denna testtid.
- h) **Bär personlig skyddsutrustning. Använd ansiktsmask eller skyddsglasögon beroende på tillämpning. Bär dammask, hörselskydd, handskar och skyddsförkläde som kan stoppa små bitar av slipmaterial och arbetsstycken.** Ögonskyddet måste kunna stoppa flygande flisor som skapas vid olika tillämpningar. Dammasken eller andningsmasken måste kunna filtrera partiklar som skapas vid ditt arbete. Lång exponering för buller kan orsaka hörselnedsättning.
- i) **Håll kringstående på ett säkert avstånd från arbetsområdet. Alla som befinner sig på arbetsområdet måste bära skyddsutrustning.** Bitar av arbetsstycken eller trasiga tillbehör kan flyga iväg och orsaka skada även bortom arbetsområdets omedelbara närhet.
- j) **Håll endast elverktyget i de isolerade greppsyrtorna när du utför arbete där skärtillbehör kan komma i kontakt med dolda ledningar eller den egna sladden.** Skärtillbehör som kommer i kontakt med en strömförande ledning kan orsaka att elverktygets synliga metalldelar blir strömförande och ger användaren en elstöt.
- k) **Håll sladden borta från det roterande tillbehöret.** Om du förlorar kontrollen kan sladden kapas eller fastna och din hand eller arm kan dras in i det roterande tillbehöret.
- l) **Lägg aldrig ifrån dig elverktyget före tillbehöret har stannat helt.** Det roterande tillbehöret kan få tag i ytan och dra med sig elverktyget så att du förlorar kontrollen.
- m) **Låt inte elverktyget vara igång när du bär det vid din sida.** Det roterande tillbehöret kan oavsiktligt fastna i dina kläder och dra verktyget mot din kropp.
- n) **Rengör ditt elverktygs luftventiler regelbundet.** Motorns fläkt drar in damm i huset och stor ansamling av metalldamm kan orsaka elfara.
- o) **Använd inte elverktyget nära lättantändliga material.** Gnistor kan antända sådana material.
- p) **Använd inte tillbehör som kräver kylvätskor.** Användning av vatten eller andra kylvätskor kan resultera i elstöt eller elchock.

Rekyl och relaterade varningar

Rekyl är en plötslig reaktion på en klämd eller fastkörd roterande skiva, slipplatta, borste eller något annat tillbehör. Klämning eller fastkörning orsakar snabb överstegring hos det roterande tillbehöret, vilket i sin tur tvingar det okontrollerade elverktyget i motsatt riktning mot tillbehörets rotation vid punkten där det kommer i kläm. Om en slipskiva till exempel fastnar eller kläms fast i arbetsstycket kan skivans kant som går in i en klämpunkt gräva in sig i materialets yta, vilket kan orsaka att skivan går av. Skivan kan antingen hoppa mot eller från användaren, beroende på skivans rörelseriktning vid punkten där det fastnar. Slipskivor kan också gå sönder under dessa förhållanden. Rekyl är ett resultat av verktygsmissbruk och/eller felaktiga arbetsprocedurer eller förhållanden och kan undvikas genom tillämpning av försiktighetsåtgärderna som beskrivs nedan.

- a) **Ha ett stadigt grepp om elverktyget och placera din kropp och arm på ett sätt som gör att du ta upp rekylkrafterna. Använd alltid stödhandtag om sådana finns för maximal kontroll över rekyl- och momentreaktioner under igångsättning.** Användaren kan ha kontroll över momentreaktioner och rekylkrafter om rätt försiktighetsåtgärder vidtas.
- b) **Placera aldrig din hand nära det roterande tillbehöret.** Tillbehöret kan rekylas över din hand.

- c) **Placera inte din kropp i området dit elverktyget kommer att röra sig i händelse av rekyll.** Rekyllkraften driver verktyget i motsatt riktning mot slipskivans rörelse vid punkten där det fastnar.
- d) **Var särskilt försiktig när du bearbetar hörn, skarpa kanter osv. Undvik att låta tillbehöret studsas eller fastna.** Hörn, skarpa kanter och studsning har en tendens att få det roterande tillbehöret att fastna och orsaka förlust av kontroll eller rekyll.
- e) **Montera inte en sågkedja för träkarvning eller ett tandat sågblad.** Sådana blad orsakar ofta rekyll och förlust av kontroll.

SÄRSKILDA SÄKERHETSVARNINGAR FÖR SLIPNING OCH KAPSLIPNING

- a) **Använd endast skivtyper som rekommenderas för ditt elverktyg och skyddsvakter som har utformats för vald skiva.** Skivor som inte har utformats för elverktyget kan inte skyddas i tillräcklig utsträckning och de är osäkra.
 - b) **Skålade slipskivor måste monteras så att skivans slipyta inte skjuter ut över skyddskantens plan.** En felaktigt monterad skiva som skjuter ut över skyddskantens plan kan inte skyddas i tillräcklig utsträckning.
 - c) **Skyddsvakten måste säkras till elverktyget och placeras så att så lite som möjligt av skivan exponeras mot användaren för maximal säkerhet.** Skyddsvakten skyddar användaren från bitar av trasiga skivor, oavsiktlig kontakt med skivor och gnistor som kan antända kläder.
 - d) **Skivor får endast användas för rekommenderade tillämpningar. Slipa till exempel inte med sidan av en kapskiva.** Kapskivor med slipfunktion är avsedda för perifer slipning. Om de utsätts för sidotryck kan de brytas sönder.
 - e) **Använd alltid oskadade skivflänsar av rätt storlek och form för din valda skiva.** Rätt skivflänsar stödjer skivan och detta minskar risken för att skivan går sönder. Flänsarna för kapskivor kan skilja sig från flänsarna för slipskivor.
 - f) **Använd inte utslitna skivor från större elverktyg.** Skivor avsedda för större elverktyg är inte lämpliga för högre varvtal med mindre verktyg. De kan gå sönder.
- a) **Se till att kapskivan inte kommer i kläm och utsätt den inte för högt tryck. Försök inte skära för djupt.** Om skivan påfrestas för mycket kan den överbelastas. Risken ökar då för att den snedvrids eller kommer i kläm, orsakar rekyll eller att skivan går sönder.
 - b) **Placera inte din kropp framför och bakom den roterande skivan.** Om skivan rör sig bort från din kropp när elverktyget är igång kan det slungas direkt mot dig i händelse av rekyll.
 - c) **Om skivan kommer i kläm eller arbetet avbryts av någon anledning, koppla från elverktyget och håll det stadigt tills skivan stannar helt. Försök aldrig dra ut den roterande kapskivan ur skärspåret då detta kan leda till rekyll.** Undersök anledningen för inklämningen och vidta korrigerande åtgärder.
 - d) **Starta inte om kapningen om elverktyget är i arbetsstuckat. Låt skivan uppnå fullt varvtal och för försiktigt in den i skärspåret.** I annat fall kan skivan klämmas fast, hoppa ur arbetsstuckat eller orsaka rekyll.
 - e) **Stöd paneler och stora arbetsstycken för att minimera risken för att skivor kläms fast och för rekyll. Stora arbetsstycken tenderar att ge efter till följd av deras egenvikt.** Stöd måste därför placeras under arbetsstuckat, nära skärspåret och vid kanten, på båda sidor om skivan.
 - f) **Var särskilt försiktig vid "fickkapning" i befintliga väggar eller andra dolda områden.** Den utstående skivan kan kapa gaseller vattenledningar, elledningar eller föremål som kan orsaka rekyll.

Elsäkerhet



Kontrollera alltid att strömförsörjningens spänning motsvarar spänningen på typskylten.

- Om elverktygets nätkabel är skadad måste den bytas ut mot en speciellt förberedd nätsladd som finns tillgänglig via serviceorganisationen.
- Använd endast förlängningskablar som är lämpliga för maskinens effektvärde med ett minimum tjocklek 1,5 mm². Om du använder en förlängningskabelrulle ska du alltid rulla ur kabeln helt.
- Om strömsladden är skadad måste den bytas ut mot en speciellt preparerad strömsladd som finns att få genom serviceorganisationen.

KOMPLETTERANDE SÄKERHETSVARNINGAR FÖR KAPSLIPNING



Kapning är endast lämplig med en särskild skyddsvakt (ingår inte) fig. C2 - D2

2. MASKININFORMATION

Avsedd användning

Din vinkelslip har utformats för slipning av murverk och stålmaterial utan användning av vatten. Vid kapning måste en särskild skyddsvakt användas (ingår inte). Fig. D2.



Den är inte avsedd att användas på byggarbetsplatser.

TEKNISKA SPECIFIKATIONER

| Modellnr. | AG506AC |
|------------------------------------|--|
| Strömspanning | 220-240V~ |
| Strömeffekt | 50/60Hz |
| Ineffekt | 2600W |
| Obelastad hastighet | 6500 /min |
| Slipskiva Diameter: Hål: | 230 mm 22,2 mm |
| Spindelgänga | M14 |
| Vikt | 6,7 kg |
| Ljudtryck L_{PA} | 96,1 dB(A), K=3dB(A) |
| Ljudeffekt L_{WA} | 107,1 dB(A), K=3dB(A) |
| Vibration "yt slipning" $a_{h,AG}$ | 7,86 m/s ² , K=1,5 m/s ² |



Använd horselskydd.

Vibrationsnivå

Vibrationsemissionsvärdet som står på baksidan av den här instruktionsboken har uppmätts enligt ett standardiserat test i enlighet med EN 60745-1 och EN 60745-2-3; detta värde kan användas för att jämföra vibrationen hos olika verktyg och som en ungefärlig uppskattning av hur stor vibration användaren utsätts för när verktyget används enligt det avsedda syftet:

- Vibrationsutsläppet under faktisk användning av elverktyget kan skilja sig från det deklarerade totala värdet beroende på hur verktyget används;
- Behovet att identifiera säkerhetsåtgärder för att skydda operatören baserat på en uppskattning av exponeringen under de faktiska användningsförhållandena (bedömningen ska även ta hänsyn till alla moment i arbetscykeln, t.ex. när verktyget är avstängt och när det går på tomgång såväl som när det faktiskt används).

Skydda dig mot vibration genom att underhålla verktyget och dess tillbehör, hålla händerna varma och styra upp ditt arbetssätt.

BESKRIVNING

Siffrorna i texten hänvisar till diagrammen på sidorna 2-4.

- Spindellåsknapp
- Insexskruv
- Skyddsvakt
- Lock för kolborste
- Växelbrytare
- Anslutningspunkt för sidohandtag
- Sidohandtag
- Insexnyckel
- Bakre handtag
- Spindel
- Monteringsfläns
- Slipskiva (ingår inte)
- Spännmutter
- Skiftnyckel

3. MONTERING



Innan montering ska du alltid stänga av maskinen och dra ut nätkontakten ur vägguttaget.

Montering av skyddsvakten (Fig. C och D)

- Placera maskinen på ett bord med spindeln (10) pekandes uppåt.
- Placera skyddsvakten (3) över maskinhuvudet enligt figur C. Se till att skyddsvaktens räfflor faller in i maskinhuvudets skårar.
- Vrid skyddsvakten moturs enligt figur D.
- Skruva fast insexskruven (2) på skyddsvakten med insexnyckeln (8).
- Du kan justera skyddsvaktens position genom att frigöra insexskruven (2). Justera skyddsvakten till önskad position och skruva fast insexskruven igen.



Försök aldrig använda maskinen utan skyddsvakten.

Montering och borttagning av skiva (Fig D)



Använd inte maskinen utan skydd.



Använd endast slippadeoch oskadade slipskivor.

Montering

1. Placera maskinen på ett bord med skyddsvakten (3) pekandes uppåt.
2. Montera flansen (11) på spindeln (10).
3. Placera slipskivan (12) på spindeln (10).
4. Hall spindellasknappen (1) nedtryckt och dra åt spannmuttern (13) ordentligt på spindeln (10) med skiftnyckeln (14).

Borttagning

1. Placera maskinen på ett bord med skyddsvakten (3) pekandes uppåt.
2. Hall spindellasknappen (1) nedtryckt och lossa spannmuttern (13) med skiftnyckeln (14).
3. Ta bort slipskivan (12) från spindeln (10).
4. Hall spindellasknappen (1) nedtryckt och dra åt spannmuttern (13) ordentligt med skiftnyckeln (14).

Montering av sidohandtaget (Fig A och E)

- Sidohandtaget (7) kan skruvas fast i något av sidohandtagets tre anslutningspunkter (6).

4. ANVÄNDNING



Se till att arbetsstycket stods eller fasts ordentligt.

Igångsättning och avstängning (Fig. A)

- Tryck samtidigt på växelbrytaren (5) för att sätta igång maskinen.
- Frigör växelbrytaren (5) för att stänga av maskinen.
- Håll maskinen borta från arbetsstycket när du sätter igång den och stänger av den eftersom slipskivan kan skada arbetsstycket.
- Spänn fast arbetsstycket ordentligt eller se på annat sätt till att arbetsstycket inte kan flytta sig under bearbetningen.
- Kontrollera skivorna regelbundet. Slitna slipskivor påverkar maskinens effektivitet negativt. Byt till ny slipskiva i god tid.

Gradning (fig. F)



En lutningsvinkel på 30° till 40° ger bästa gradningsresultat. Rör maskinen fram och tillbaka under lätt tryck. Detta förhindrar att arbetsstycket missfärgas eller blir för varmt



och att spår skapas.
Använd aldrig kapskivor med slipfunktion vid gradning!

Kapning (fig. G)



Vid kapning måste en särskild skyddsvakt användas (ingår inte).

Upprätthåll stadig kontakt med arbetsstycket för att undvika vibrationer. Luta inte och anbringa inte tryck vid kapning. Använd lätt tryck vid bearbetning, lämpligt för materialet som du arbetar med. Sakta inte ner kapskivor genom att anbringa sidledes mottryck. Kapningsriktningen är viktig. Maskinen måste alltid arbeta mot kapningsriktningen. Flytta aldrig maskinen i motsatt riktning! Det finns en risk för att maskinen fastnar i skärspåret och orsakar en rekyl, vilket kan göra att du förlorar kontrollen.

Tips för optimal användning

- Spänn fast arbetsstycket. Använd en spännethet för små arbetsstycken.
- Håll maskinen med båda händerna.
- Sätt igång maskinen.
- Vänta tills maskinen har uppnått full hastighet.
- Placera slipskivan på arbetsstycket.
- Rör sakta maskinen längs arbetsstycket genom att stadigt trycka slipskivan mot det.
- Tryck inte maskinen för hårt. Låt maskinen göra arbetet.
- Stäng av maskinen och vänta tills maskinen står helt still innan du lägger ifrån dig den.

5. UNDERHÅLL



Stäng alltid av maskinen och ta ut strömkontakten från strömkällan inna rengöring och underhåll.

Rengör maskinen hus regelbundet med en mjuk trasa, helst efter varje gång du använder maskinen. Se till att ventilationsöppningarna är fria från damm och smuts. Ta bort mycket ihållande smuts med en mjuk trasa fuktad med tvållösning. Använd inte lösningsmedel som bensen, alkohol, ammoniak osv. Sådana kemikalier skadar de syntetiska komponenterna.

MILJÖ



Produkten, tillbehören och förpackningen måste sorteras för miljövänlig återvinning.

Endast för EU-länder

Släng inte elverktyg i hushållsavfallet. Enligt det europeiska WEEE-direktivet 2012/19/EU för avfall från elektrisk och elektronisk utrustning och dess tillämpning nationellt ska elverktyg som inte längre kan användas samlas in separat och kasseras på ett miljövänligt sätt.

GARANTI

VONROC produkter är utvecklade enligt högsta kvalitetsstandard och garanteras vara utan defekter både vad gäller material och tillverkning under den period som stipuleras enligt lag med början från ursprungligt inköpsdatum. Om något fel uppstår på produkten under denna period på grund av material- och/eller tillverkningsfel skall VONROC kontaktas direkt.

Följande omständigheter exkluderas från denna garanti:

- Reparationer eller ändringar som gjorts eller försökt göras på maskinen av ett icke auktoriserat servicecenter.
- Normalt slitage.
- Verktøget har missbrukats, använts fel eller underhållits på felaktigt sätt.
- Icke-originalreservdelar har använts.

Detta utgör hela garantin från företaget, antingen uttryckt eller underförstått. Det finns inga andra garantier, uttalande eller underförstådda som gäller utöver ordalydelsen härav, häri, inklusive de outtalade garantierna för säljbarhet och lämplighet för ett särskilt syfte. Under inga omständigheter skall VONROC hållas ansvarig för några oföretsdeda eller indirekta skador. Återförsäljarens åtgärder skall begränsas till reparation eller byte av felaktiga enheter eller delar.

Med förbehåll för ändringar i produkten och bruksanvisningen. Specifikationer kan ändras utan förvarning.

1. SIKKERHEDSANVISNINGER

Læs de medfølgende sikkerhedsadvarsler, de supplerende sikkerhedsadvarsler og instruktioner. Såfremt sikkerhedsadvarsler og instruktioner ikke følges, kan dette medføre elektriske stød, brand og/eller alvorlige ulykker. Gem alle sikkerhedsadvarsler og instruktioner til fremtidig reference.

Følgende symboler anvendes i denne brugermanual eller på produktet:



Læs brugermanualen.



Angiver risiko for personskade, dødsfald eller beskadigelse af varmeren i tilfælde af manglende overholdelse af anvisningerne i denne vejledning.



Risiko for flyvende dele. Hold omkringstående på afstand af arbejdsområdet.



Risiko for elektrisk stød.



Fjern straks stikket fra vægstikkontakten, hvis strømkablet bliver beskadiget samt under rengøring og vedligeholdelse.



Brug beskyttelsesbriller.



Brug høreværn.



Bær sikkerhedshandsker.



Tryk ikke på spindellåseknappen, mens motoren kører.



Risiko for ild.



Klasse II-maskine – Dobbeltisoleret – Du har ikke brug for et jordstik.



Kassér ikke produktet i en forkert container.



Produktet overholder de gældende sikkerhedsstandarder i de europæiske direktiver.

GENERELLE SIKKERHEDSFORSKRIFTER



Advarsel! Læs alle sikkerhedsadvarsler og alle anvisninger. Hvis alle nedenstående instruktioner ikke følges, kan det resultere i elektrisk stød, brand og/eller alvorlig personskade.

Gem disse instruktioner.

Udtrykket "elektrisk maskine" i alle advarslerne nedenfor henviser til elektriske maskiner/værktøj/redskaber, der via en ledning tilkobles elnettet eller strømforsynes via batteri (accu).

1) Arbejdsområde

- a) **Arbejdsområdet skal være rent og tilstrækkeligt belyst.** Rodede og mørke arbejdsområder giver større risiko for ulykker.
- b) **Brug ikke elektriske maskiner i eksplosive omgivelser, f.eks. i nærheden af brandfarlige væsker, gasser eller støv.** Elektriske maskiner frembringer gnister, som kan antænde støv eller dampe.
- c) **Hold børn og omkringstående på afstand, når der bruges elektriske maskiner.** Hvis man distraheres, kan man miste kontrollen over den elektriske maskine.

2) Elektrisk sikkerhed

- a) **Stik til elektriske maskiner skal passe til stikkontakten. Der må ikke foretages ændringer af stikket. Brug ikke snydepropper til jordede (jordforbundne) elektriske maskiner.** Originale stik og tilsvarende kontakter mindsker risikoen for elektrisk stød.
- b) **Undgå kropskontakt med jordede eller jordforbundne overflader som f.eks. rør, radiatorer, komfurer og køleskabe.** Der er øget risiko for elektrisk stød, hvis kroppen er jordet eller jordforbundet.
- c) **Elektriske maskiner må ikke udsættes for regn eller våde omgivelser.** Hvis der kommer vand i den elektriske maskine, øges risikoen for elektrisk stød.
- d) **Brug ikke ledningen forkert. Brug ikke ledningen til at bære eller trække maskinen og heller ikke for at tage ledningen ud af stikkontakten. Hold ledningen væk fra stærk varme, olie, skarpe kanter og bevægelige dele.** Beskadigede eller filtredede ledninger øger risikoen for elektrisk stød.
- e) **Når en elektrisk maskine bruges udendørs, skal man bruge en forlængerledning, der er beregnet til udendørs brug.** Hvis der bruges en forlængerledning, der er beregnet til udendørs

brug, mindskes risikoen for elektrisk stød.

- f) **Hvis det ikke kan undgås at bruge et maskinværktøj i et fugtigt miljø, bør du anvende en forsyning, der er beskyttet af en fejlstrømsafbryder (RCD).** Brugen af en RCD reducerer risikoen for elektrisk stød.

3) Personlig sikkerhed

- a) **Vær agtpågivende, hold øjnene rette mod det, du laver, og brug almindelig sund fornuft, når du bruger en elektrisk maskine. Brug ikke en elektrisk maskine, hvis du er træt eller er under påvirkning af narkotika, alkohol eller medicin.** Et øjeblikvis uopmærksomhed under arbejdet med en elektrisk maskine kan resultere i alvorlig personskade.
 - b) **Brug personligt sikkerhedsudstyr. Brug altid beskyttelsesbriller.** Sikkerhedsudstyr som støvmaske, skridsikre sko, hjelm eller høreværn, brugt når det er nødvendigt, mindsker risikoen for personskade.
 - c) **Undgå utilsigtet start. Sørg for, at der er slukket på afbryderen, før stikket sættes i stikkontakten.** Hvis maskinværktøj bæres med fingeren på kontakten, eller når maskinværktøj strømføres med tændt kontakt, kan der nemt ske ulykker.
 - d) **Fjern justeringsnøgler og tænger, før der tændes for den elektriske maskine.** En tang eller nøgle, der sidder på en roterende del af den elektriske maskine, kan resultere i personskade.
 - e) **Ræk ikke for langt ud. Stå sikkert på fødderne og vær altid i god balance.** Det giver bedre kontrol over maskinen i uventede situationer.
 - f) **Tag passende tøj på. Bær ikke løstsiddende tøj eller smykker. Hold hår, tøj og handsker væk fra bevægelige dele.** Løstsiddende tøj, smykker eller langt hår kan blive grebet af bevægelige dele.
 - g) **Hvis der forefindes tilslutning til støvudsugning og -opsamling, skal man sørge for, at udstyret er tilsluttet og bruges.** Brug disse muligheder for at mindske risikoen for støvrelaterede risici.
 - h) **Lad ikke kendskab opnået gennem hyppig brug af værktøj lade dig blive tilbagelænet og ignorere værktøjsikkerhedsprincipper.** En skødesløs handling kan forårsage alvorlig personskade inden for en brøkdal af et sekund.
- ### 4) Brug og behandling af elektriske maskiner
- a) **Brug ikke magt på den elektriske maskine. Brug kun den elektriske maskine til det, den er**

beregnet til. Den rette elektriske maskine gør arbejdet bedre og mere sikkert ved den effekt, der er foreskrevet.

- b) **Brug ikke den elektriske maskine, hvis afbryderen ikke kan tænde og slukke.** En elektrisk maskine, der ikke kan tændes og slukkes på afbryderen, er farlig og skal repareres.
 - c) **Tag stikket ud af stikkontakten før justering, udskiftning af tilbehør, og før den elektriske maskine gemmes væk.** Sådanne forebyggende sikkerhedsforanstaltninger mindsker risikoen for, at den elektriske maskine starter ved et uheld.
 - d) **Elektriske maskiner, der ikke bruges, skal opbevares utilgængeligt for børn, og personer, der ikke har kendskab til den elektriske maskine eller disse instruktioner, må ikke bruge den elektriske maskine.** Elektriske maskiner er farlige i hænderne på uvædede personer.
 - e) **Elektriske maskiner skal vedligeholdes. Check for forkert justering og fastsiddende bevægelige dele, defekte dele og andre ting, som kan påvirke den elektriske maskines korrekte funktion. Hvis den elektriske maskine er beskadiget, skal den repareres før brug.** Mange ulykker skyldes, at elektriske maskiner er dårligt vedligeholdt.
 - f) **Skærende værktøj skal holdes skarpe og rene.** Korrekt vedligeholdt skærende værktøj med skarpe skær kommer ikke så let til at sidde fast og er nemmere at styre.
 - g) **Brug den elektriske maskine, tilbehør, tool-bits osv. i henhold til disse instruktioner og på den måde, som denne specielle maskine er beregnet til, idet man skal tage hensyn til arbejdsforholdene og arbejdet, der skal udføres.** Brug af den elektriske maskine til andet, end den er beregnet til, kan resultere i farlige situationer.
 - h) **Hold håndtag og gribeflader tørre, rene og fri fra olie og fedtstof.** Glatte håndtag og gribeflader giver ikke mulighed for sikker håndtering og kontrol af værktøjet i uventede situationer.
- 5) Service**
- a) **Få foretaget service på dit maskinværktøj af en kvalificeret reparatør, der kun bruger identiske udskiftningsdele.** Dette sikrer, at maskinværktøjet fortsat er sikkert at bruge.

FÆLLES SIKKERHEDSADVARSLER FOR SLIBENDE ELLER SLIBESKIVESKÆRENDE-HANDLINGER

- a) **Dette maskinværktøj er beregnet til at blive anvendt som slibeværktøj. Læs alle sikkerhedsadvarsler, anvisninger, illustrationer og specifikationer, der følger med dette maskinværktøj.** Hvis alle nedenstående anvisninger ikke følges, kan det resultere i elektrisk stød, brand og/eller alvorlige personskader.
- b) **Det anbefales ikke at udføre handlinger såsom pudsning, stålborstning og polering med dette maskinværktøj.** Handlinger, som maskinværktøjet ikke er udformet til, kan være farlige og forårsage personskader.
- c) **Brug ikke tilbehør, som ikke er udformet specifikt og anbefalet af værktøjsproducenten.** Bare fordi tilbehøret kan sættes på maskinværktøjet, betyder det ikke nødvendigvis, at handlingen er sikker.
- d) **Tilbehørets nominelle hastighed skal være mindst lig med den maksimale hastighed, der er angivet på maskinværktøjet.** Tilbehør, der drives hurtigere end deres nominelle hastighed, kan gå i stykker og flyve fra hinanden.
- e) **Den udvendige diameter og tykkelsen af dit tilbehør skal være inden for dit maskinværktøjs nominelle kapacitet.** Tilbehør i forkerte størrelser kan ikke beskyttes eller styres på passende vis.
- f) **Gevindmontering af tilbehør skal passe til slibeværktøjets spindelgevind. I forbindelse med tilbehør, der flangemonteres, skal tilbehørets buehul passe til flangens positionsdiameter.** Tilbehør, der ikke passer til monteringsudstyret på maskinværktøjet, kommer ud af balance, vibrerer for meget og kan resultere i tabt kontrol.
- g) **Brug ikke beskadiget tilbehør. Inden hver anvendelse skal du efterse tilbehøret, som f.eks. sliberuller for splinter og revner, bagpuder for revner og for kraftigt slid, metalbørste for løse eller revnede metaltråde. Hvis maskinværktøjet eller tilbehøret tabes, skal det efterses for skader, eller der skal monteres et stykke tilbehør, der ikke er beskadiget. Når du har efterset og monteret et stykke tilbehør, skal du selv og evt. tilskuere stille jer på afstand af det roterende tilbehørs plane overflade og tænde maskinværktøjet ved maksimal hastighed uden last i et minut. Beskadiget tilbehør går som regel i stykker i løbet af denne testtid.**
- h) **Bær personligt sikkerhedsudstyr. Afhængigt af anvendelsen bør du bruge ansigtsskærm eller**

sikkerhedsbriller. Bær om nødvendigt støvmaske, høreværn, handsker og værkstedsforklæde, der kan stoppe små slibestykker eller fragmenter.

Øjenværnet skal kunne stoppe flyvende rester, der opstår under forskellige handlinger. Støvmasken eller filtermasken skal kunne filtrere partikler, der opstår under handlingen. Længerevarende eksponering for høje lyde kan resultere i høretab.

- i) **Tilskuere skal holde sig på sikker afstand af arbejdsområdet. Alle, der bevæger sig ind på arbejdsområdet, skal bære personligt sikkerhedsudstyr.** Fragmenter eller ødelagt tilbehør kan flyve væk og forårsage personskader uden for handlingens nærmeste område.
- j) **Hold kun maskinværktøjet ved de isolerede gribeblade, når du udfører en handling, hvor skæretilbehøret muligvis kan komme i kontakt med skjulte ledningstråde eller dets egen ledning.** Hvis skæretilbehør kommer i kontakt med en strømført ledning, kan det gøre maskinværktøjets eksponerede metaldele strømførte og dermed give operatøren stød.
- k) **Anbring ledningen væk fra det roterende tilbehør.** Hvis du mister kontrol, kan ledningen blive skåret over eller fanget, og din hånd eller arm kan blive trukket ind i det roterende tilbehør.
- l) **Læg aldrig maskinværktøjet ned, før tilbehøret er standset helt.** Det roterende tilbehør kan gribe fat i overfladen og trække maskinværktøjet ud af din kontrol.
- m) **Lad ikke maskinværktøjet være tændt, mens du bærer det ved siden af dig.** En utilsigtet kontakt med det roterende tilbehør kan gribe fat i dit tøj, hvormed tilbehøret trækkes ind til din krop.
- n) **Rengør maskinværktøjets udluftningshuller regelmæssigt.** Motorblæseren trækker støv ind i huset, og en for stor akkumulering af metalpulver kan forårsage el-farer.
- o) **Brug ikke maskinværktøjet i nærheden af brændbare materialer.** Gnister kan antænde disse materialer.
- p) **Brug ikke tilbehør, der kræver flydende kølemidler.** Hvis der bruges vand eller andre flydende kølemidler, kan det resultere i stød, som evt. forårsager dødsfald.

Tilbageslag og relaterede advarsler

Tilbageslag er en pludselig reaktion på en roterende rulle, en bagpude, børste eller andet tilbehør, der bliver klemt eller fanget. Når det roterende tilbehør bliver klemt eller fanget, standser det

hurtigt, hvilket til gengæld tvinger det ukontrollerede maskinværktøj i den modsatte retning af tilbehørets rotation ved fastsættelsespunktet.

Hvis en sliberulle f.eks. bliver klemt eller fanget af arbejdsstykket, kan kanten af rullen, der trænger ind i klempunktet, gribe fat i materialets overflade og dermed få rullen til at ryge ud eller slå ud. Rullen kan enten bevæge sig hen mod eller væk fra operatøren, afhængigt af rullens bevægelsesretning ved klempunktet. Sliberuller kan også blive ødelagt under disse forhold. Tilbageslag opstår som et resultat af misbrug af maskinværktøjet og/eller forkerte operationsprocedurer eller forhold og kan undgås ved at træffe de passende foranstaltninger, som angivet herunder.

- a) **Hold godt fast i maskinværktøjet, og anbring din krop og arm på en sådan måde, at du kan modstå tilbageslagskræfter. Brug altid hjælpéhåndtaget, hvis det forefindes, for at få en maksimal kontrol over tilbageslag og momentreaktion under opstart.** Operatøren kan styre momentreaktioner eller tilbageslagskræfter, hvis der træffes de passende foranstaltninger.
- b) **Hold aldrig hånden i nærheden af det roterende tilbehør.** Tilbehør kan slå tilbage over hånden.
- c) **Du må aldrig befinde dig i det område, hvor maskinværktøjet bevæger sig hen, hvis der opstår tilbageslag.** Tilbageslag driver værktøjet i den modsatte retning af rullens bevægelse ved hindringspunktet.
- d) **Vær særlig forsigtig, når du arbejder på hjørner, skarpe kanter osv. Undgå at bump tilbehøret og udsætte det for hindringer.** Hjørner, skarpe kanter eller bump har tendens til at hindre det roterende tilbehør og forårsage tab af kontrol eller tilbageslag.
- e) **Påmonter ikke et savkædeskæreblad eller en savklinge.** Disse klinger kan skabe hyppigttilbageslag og tab af kontrol.

SPECIFIKKE SIKKERHEDSADVARSLER FOR SLIBENDE ELLER SLIBESKIVESKÆRENDE HANDLINGER

- a) **Brug kun rulletyper, der anbefales til dit maskinværktøj, og den specifikke afskærmning, der er udformet til den valgte rulle.** Ruller, som maskinværktøjet ikke er udformet til, kan ikke sikres på passende vis og dermed farlige.
- b) **Slibeoverfladen af de midterste nedtrykkede ruller skal monteres under den plane flade af**

- afskærmningskanten.** En forkert monteret rulle, der projekteres ud gennem den plane flade af afskærmningskanten, kan ikke beskyttes på passende vis.
- Afskærmningen skal være fastgjort sikkert til maskinværktøjet og anbringes med henblik på maksimal sikkerhed, å den mindst mulige mængde af rullen eksponeres mod operatøren.** Afskærmningen hjælper med at beskytte operatøren mod ødelagte rullefragmenter, utilsigtet kontakt med rullen og gnister, der kan antænde tøj.
 - Ruller må kun bruges til anbefalede anvendelser. F.eks.: slib ikke med siden af en afskærmningsrulle.** Slibende afskærmningsruller er beregnet til periferisk slibning, og hvis disse ruller påføres kraft fra siden, kan det knuse dem.
 - Brug altid ubeskadigede rulleflanger, der har den rigtige størrelse og form, til din valgte rulle.** Korrekte rulleflanger understøtter rullen og reducerer dermed risikoen for, at en rulle bliver ødelagt. Flanger til afskærmningsruller kan variere fra sliberulleflanger.
 - Brug ikke nedslidte ruller fra større maskinværktøjer.** Ruller, der er beregnet til større maskinværktøjer, er ikke velegnede til den højere hastighed af et mindre værktøj og kan sprænge.

YDERLIGERE SIKKERHEDSADVARSLER FOR SLIBESKIVESKÆRENDE HANDLINGER



Slibeskiveskæring er kun velegnet, hvis der bruges en særlig afskærmning (medfølger ikke) fig. C2 - D2

- Undgå at få afskærmningsrullen i klemme eller at bruge for mange kræfter. Forsøg ikke at foretage et for dybt snit.** Hvis rullen overbelastes, øges belastningen og risikoen for, at rullen bliver snoet eller sætter sig fast i snittet samt for, at der opstår tilbageslag eller rullebeskadigelse.
- Undgå at stille dig på linje med og bag den roterende rulle.** Når rullen bevæger sig væk fra din krop under handlingen, kan det mulige tilbageslag drive den roterende rulle og maskinværktøjet direkte hen mod dig.
- Når rullen sætter sig fast, eller når et snit af en eller anden årsag afbrydes, skal du slukke for maskinværktøjet og holde det stille, indtil rullen stopper helt. Forsøg aldrig at fjerne afskærmningsrullen fra snittet, mens rullen er i bevægelse, da der så kan opstå tilbageslag.** Undersøg og

træf korrigerende foranstaltninger for at fjerne årsagen til fastsættelsen af rullen.

- Start ikke forfra med skærehandlingen i arbejdsstykket. Lad rullen nå den fulde hastighed og før den forsigtigt ind i snittet.** Rullen kan sætte sig fast, ryge op eller slå tilbage, hvis maskinværktøjet startes i arbejdsstykket igen.
- Understøt paneler eller et evt. overdimensioneret arbejdsstykke for at minimere risikoen for, at rullen bliver klemt fast og slår tilbage. Større arbejdsstykker har tendens til at falde sammen under deres egen vægt.** Der skal anbringes støtter under arbejdsstykket nær snitlinjen og nær kanten af arbejdsstykket på begge sider af rullen.
- Vær ekstra forsigtig, når du laver et "lommensnit" i eksisterende vægge eller andre blinde områder.** Rullen, der stikker ud, kan skære gas- eller vandrør, el-ledninger eller genstande over, som kan forårsage tilbageslag.

Elektrisk sikkerhed



Kontroller altid, at strømforsyningsens spænding svarer til spændingen på typeskiltet.

- Brug ikke maskinen, hvis strømkablet eller stikket er beskadiget.
- Brug kun forlængerledninger, der passer til maskinens spænding og som har en minimumtykkelse på 1.5 mm². Hvis du anvender en kabeltromle, skal kablet altid ruller helt ud.
- Hvis forsyningsledningen til dette elværktøj er beskadiget, skal den udskiftes med en specielt forberedt forsyningsledning, som kan fås via serviceafdelingen.

2. MASKINOPLYSNINGER

Tilsigtet brug

Din vinkelsliber er udformet til at slibe murværk og stålmateriale uden brug af vand. Ved skæring skal der bruges en særlig afskærmning som beskyttelse (medfølger ikke) Fig. D2.



Ikke egnet til brug på byggepladser.

TEKNISKE SPECIFIKATIONER

| Model nr | AG506AC |
|---|--|
| Netspænding | 220-240V~ |
| Netfrekvens | 50/60Hz |
| Indgangseffekt | 2600W |
| Hastighed uden last | 6500 /min |
| Rulleskive til slibning | |
| Diameter: | 230 mm |
| Boringsdiameter: | 22,2 mm |
| Spindelgevind | M14 |
| Vagt | 6,7 kg |
| Lydtrykkniveau L_{PA} | 96,1 dB(A), K=3dB(A) |
| Lydeffektniveau L_{WA} | 107,1 dB(A), K=3dB(A) |
| Vibration "Overfladeslibning" $a_{h,AG}$ | 7,86 m/s ² , K=1,5 m/s ² |



Brug høreværn.

Vibrationsniveau

Det vibrationsniveau, der er anført bag på denne betjeningsvejledning er målt i henhold til den standardiserede test som anført i EN 60745-1 og EN 60745-2-3; den kan benyttes til at sammenligne to stykker værktøj og som en foreløbig bedømmelse af udsættelsen for vibrationer, når værktøjet anvendes til de nævnte formål:

- vibrationsemissionen under den reelle brug af el-værktøjet kan afvige fra den erklærede samlede værdi afhængigt af de måder, værktøjet bruges på;
- for at identificere sikkerhedsforanstaltninger for at beskytte operatøren, der er baseret på en evaluering af eksponeringen under de faktiske anvendelsesbetingelser (hvor der bliver taget højde for alle procedurer under driftscyklussen, f.eks. de tidspunkter, hvor værktøjet er slukket, og når det kører i tomgang ud over udløsertiden).

Beskyt dig selv imod virkningerne af vibrationer ved at vedligeholde værktøjet og dets tilbehør, ved at holde dine hænder varme og ved at organisere dine arbejdsmønstre.

BESKRIVELSE

Tallene i teksten henviser til diagrammerne på side 2-4.

- Spindellåseknop
- Unbrakoskrue
- Afskærmning
- Kulbørstedæksel
- Tænd/sluk-kontakt
- Tilslutningspunkt for sidehåndtag
- Sidehåndtag
- Unbrakonøgle
- Bageste håndtag
- Spindel
- Monteringsflange
- Rulleskive (medfølger ikke)
- Fastspændingsmøtrik
- Skruenøgle

3. SAMLING



Inden montering, skal maskinen altid slukkes, og netstikket skal tages ud af stikkontakten.

Montering af afskærmningen (Fig. C og D)

- Stil maskinen på et bord, så spindlen (10) ender opad.
- Anbring afskærmningen (3) over maskinhovedet, som vist på Figur C, mens du sørger for, at ryggene på afskærmningen falder ind i maskinhovedets hakker.
- Vend afskærmningen mod uret, som vist på figur D.
- Fastgør unbrakoskruen (2) på afskærmningen med unbrakonøglen (8)
- Du kan justere afskærmningens position ved at frigive unbrakoskruen (2), justere afskærmningen til den ønskede position og fastgøre unbrakoskruen igen.



Forsøg aldrig at bruge maskinen uden afskærmningen.

Montering og fjernelse af skiven (Fig. B)



Brug aldrig maskinen uden afskærmningen.



Brug kun skarpe og ubeskadigede rulleskiver.

Montering

1. Stil maskinen på et bord, så afskærmningen (3) vender opad.
2. Monter flangen (11) på spindlen (10).
3. Anbring rulleskiven (12) på spindlen (10).
4. Hold spindellaseknappen (1) nede, og stram fastspændingsmotrikken (13) godt på spindlen (10) ved hjælp af skruenøglen (14).


Fjernelse

1. Stil maskinen på et bord, så afskærmningen (3) vender opad.
2. Hold spindellaseknappen (1) nede, og løs fastspændingsmotrikken (13) ved hjælp af skruenøglen (14).
3. Fjern rulleskiven (12) fra spindlen (10).
4. Hold spindellaseknappen (1) nede, og stram fastspændingsmotrikken (13) godt ved hjælp af skruenøglen (14).

Montering af sidehandtaget (Fig. A og E)

- Sidehandtaget (7) kan skrues ind i et af handtagets tresidede forbindelsespunkter (6).


4. DRIFT


 *Sorg for, at arbejdsemnet er korrekt støttet eller fastgjort.*

Tænd og sluk (Fig. A)


- Tænd for maskinen ved at trykke på tænd/sluk-kontakten (5).
- Sluk for maskinen ved at frigive tænd/slukkontakten (5).
- Hold maskinen væk fra arbejdsstykket, når du tænder og slukker den, da rulleskiven ellers kan beskadige arbejdsstykket.
- Spænd arbejdsstykket godt fast, eller brug en anden metode til at sikre, at det ikke kan flytte sig under arbejdet.
- Kontrollér regelmæssigt skiverne. Slidte rulleskiver har en negativ virkning på maskinens ydeevne. Skift til en ny rulleskive i god tid.

Afgratning (Fig. F)

 *En vinkelhældning på mellem 30° og 40° giver de bedste resultater ved afgratning. Bevæg maskinen frem og tilbage med et let tryk. Dette forhindrer, at arbejdsstykket bliver affarvet eller for varmt, og at der bliver lavet riller.*

 *Brug aldrig slibesliveskiver til afgratningsarbejde!*

Skæring (fig. G)


 *Ved skæring skal der bruges en særlig lukket afskærmning som beskyttelse (medfølger ikke).*

Hold god kontakt med arbejdsstykket for at forhindre vibrationer, og undlad at vippe eller påføre tryk under skæringen. Brug et moderat tryk under arbejdet, som passer til det materiale, der arbejdes på. Sænk ikke rulleskivernes hastighed ved at påføre modtryk fra siden. Den retning, du vil skære i, er vigtig. Maskinen skal altid arbejde imod skæreretningen. Bevæg derfor aldrig maskinen i den anden retning! Der er risiko for, at maskinen sætter sig fast i snittet og dermed forårsager tilbageslag, og at du mister kontrollen.

Tips til optimal brug

- Fastspænd arbejdsstykket. Brug en fastspændingsenhed til små arbejdsstykker.
- Hold maskinen med begge hænder.
- Tænd for maskinen.
- Vent, til maskinen har nået fuld hastighed.
- Anbring rulleskiven på arbejdsstykket.
- Bevæg langsomt maskinen langs arbejdsstykket, mens du trykker rulleskiven fast ned mod arbejdsstykket.
- Påfør ikke for meget tryk på maskinen. Lad maskinen gøre arbejdet.
- Sluk for maskinen, og vent på, at den standser helt, inden du lægger maskinen fra dig.

5. VEDLIGEHOLDELSE

 *Før rengøring og vedligeholdelse skal du altid slukke for maskinen og trække netstikket ud af kontakten.*

Rengør maskinbeklædningerne regelmæssigt med en blød klud, helst efter hver anvendelse. Sørg for, at der ikke er støv eller snavs i ventilationsåbningerne. Fjern snavs, der sidder meget godt fast, med en blød klud, der er fugtet i sæbevand. Brug ikke opløsningsmidler, som f.eks. benzin, sprit, ammoniak osv. Kemikalier som disse beskadiger de syntetiske komponenter.

MILJØ



Defekte og/eller bortskaffede elektriske og elektroniske apparater skal afleveres på en passende genbrugsstation.

Kun for EU-lande

Smid ikke el-værktøjer ud sammen med almindeligt affald. I henhold til de europæiske direktiver 2012/19/EU for elektrisk og elektronisk udstyr og er implementeret i henhold til nationale rettigheder, el-værktøj som ikke længere er anvendelig skal indsamles separat og genbruges på en miljøvenlig måde.

GARANTIVILKÅR

VONROC produkter er udviklet efter de højeste kvalitetsstandarder og er garanteret fri for mangler i såvel materialer som udførelse i den lovpligtige periode, der starter fra datoen for det oprindelige køb. Skulle produktet udvikle nogen fejl i løbet af denne periode på grund af defekte materialer og/eller fabrikationsfejl, så kontakt VONROC direkte.

De følgende forhold er udelukket fra denne garanti:

- Reparationer og eller rettelser er blevet foretaget eller forsøgt foretaget på maskinen af uautoriserede servicecentre.
- Normal slitage.
- Værktøjet har været misligholdt, misbrugt eller vedligeholdt forkert.
- Ikke originale reservedele er blevet anvendt.

Dette udgør den eneste garanti fra virksomheden enten udtrykt eller underforstået. Der er ingen andre garantier udtrykt eller underforstået, som strækker sig ud over forsiden heraf, heri, herunder underforståede garantier for salgbarhed og egnethed til et bestemt formål. VONROC vil under ingen omstændigheder være ansvarlig for hændelige skader eller følgeskader. Forhandlernes afhjælpningsmidler vil være begrænsede til reparation eller udskiftning af fejlbehæftede enheder eller dele.

Produktet og brugermanualen kan ændres. Specifikationerne kan ændres uden forudgående varsel.

1. INSTRUKCJE BEZPIECZEŃSTWA

Przeczytać dołączone ostrzeżenia dotyczące bezpieczeństwa, dodatkowe ostrzeżenia dotyczące bezpieczeństwa oraz instrukcję. Nieprzestrzeganie ostrzeżeń dotyczących bezpieczeństwa oraz instrukcji może prowadzić do porażenia prądem, pożaru i/lub poważnych obrażeń ciała. Zachować ostrzeżenia dotyczące bezpieczeństwa oraz instrukcje na przyszłość.

Następujące symbole są umieszczone w instrukcji obsługi lub na produkcie:



Przeczytać instrukcje obsługi.



Oznacza ryzyko obrażeń ciała, śmierci lub uszkodzenia narzędzia w razie nieprzestrzegania poleceń z instrukcji.



Ryzyko wyrzucenia przedmiotów w powietrze. Nie pozwalać osobom postronnym zbliżać się do obszaru pracy.



Ryzyko porażenia prądem.



Niezwłocznie odłączyć wtyczkę zasilania sieciowego od gniazdka sieciowego, jeśli przewód zasilania sieciowego zostanie uszkodzony, a także na czas czyszczenia i konserwacji.



Zawsze nosić okulary ochronne!



Nosić ochronniki słuchu.



Nosić rękawice ochronne.



Nie wciskać przycisku blokady wrzeczona, gdy silnik pracuje.



Ryzyko pożaru.



Maszyna klasy II - Podwojna izolacja - Nie trzeba stosować wtyczek z uziemieniem.



Nie wyrzucać produktu do nieodpowiednich pojemników.



Produkt spełnia wymogi odpowiednich norm bezpieczeństwa podanych w dyrektywach UE.

OGÓLNE ZALECENIA DOTYCZĄCE BEZPIECZEŃSTWA



UWAGA! Przeczytać wszystkie ostrzeżenia dotyczące bezpieczeństwa i wszystkie instrukcje. Nieprzestrzeganie wszystkich poniższych instrukcji może być przyczyną porażenia prądem, pożaru i/lub poważnych obrażeń.

Zachowaj niższe instrukcje.

Termin „elektronarzędzia akumulatorowe” we wszystkich ostrzeżeniach zamieszczonych poniżej odnosi się do elektronarzędzi akumulatorowych zasilanych sieciowo (przewodowych) lub elektronarzędzi akumulatorowych działających na baterie (beprzewodowych).

1) Obszar roboczy

- a) **Obszar roboczy należy utrzymywać w czystości.** Powinien on być dobrze oświetlony. Nieład i złe oświetlenie mogą z łatwością doprowadzić do wypadku.
- b) **Nie korzystaj z elektronarzędzi akumulatorowych w warunkach, w których łatwo może dojść do wybuchu, np. w obecności łatwopalnych cieczy, gazów lub pyłu.** Podczas pracy elektronarzędzi akumulatorowych powstają iskry, które mogą doprowadzić do zapłonu pyłu lub oparów.
- c) **Dzieci i inne osoby postronne powinny pozostać w bezpiecznej odległości od pracującego urządzenia.** Rozproszenie uwagi może spowodować utratę kontroli nad urządzeniem.

2) Bezpieczeństwo związane z elektrycznością

- a) **Wtyczki elektronarzędzi akumulatorowych muszą być odpowiednie do danego gniazda. Pod żadnym pozorem nie należy modyfikować wtyczki w jakikolwiek sposób. Nie należy używać adapterów, które uziemiają elektronarzędzia akumulatorowe.** Stosowanie wtyczek nie poddanych modyfikacjom oraz odpowiednich gniazd zmniejsza ryzyko porażenia prądem.
- b) **Należy unikać bezpośredniego kontaktu fizycznego z powierzchniami uziemionymi, takimi jak rury, grzejniki, kuchenki, lodówki.** Ryzyko porażenia prądem jest większe, jeśli ciało osoby obsługującej urządzenie jest uziemione.
- c) **Nie należy wystawiać elektronarzędzi akumulatorowych na działanie deszczu lub wilgoci.** Dostanie się wody do wnętrza elektronarzędzia akumulatorowego zwiększy ryzyko porażenia prądem.

- d) **Nie należy używać przewodu w niewłaściwy sposób. Pod żadnym pozorem nie należy wykorzystywać przewodu do przenoszenia lub ciągnięcia elektronarzędzia akumulatorowego, ani do jego odłączania od sieci. Przewodu nie należy wystawiać na działanie ciepła, smarów. Powinien on znajdować się w bezpiecznej odległości od ostrych krawędzi i części ruchomych.** Przewody uszkodzone lub poplątane zwiększają ryzyko porażenia prądem.
- e) **Podczas korzystania z elektronarzędzia akumulatorowego na wolnym powietrzu, należy używać przewodu przedłużacza przystosowanego do użytku na zewnątrz.** Używanie przewodu nadającego się do użytku na wolnym powietrzu zmniejsza ryzyko porażenia prądem.
- f) **Jeśli obsługa elektronarzędzia w wilgotnym miejscu jest nieunikniona, użyć zasilania wyposażonego w wyłącznik różnicowo-prądowy.** Użycie wyłącznika różnicowo-prądowego zmniejsza ryzyko porażenia prądem.

3) Bezpieczeństwo osoby obsługującej urządzenie

- a) **Przez cały czas należy mieć się na baczności, uważać na to, co się robi, a w czasie obsługi elektronarzędzia akumulatorowego postępować mając na uwadze zdrowy rozsądek. Urządzenia nie powinny obsługiwać osoby zmęczone lub będące pod wpływem narkotyków, alkoholu lub leków.** Chwila nieuwagi w czasie obsługi elektronarzędzi akumulatorowych może być przyczyną powstania poważnych obrażeń ciała.
- b) **Należy korzystać ze sprzętu ochronnego oraz zawsze nosić okulary ochronne.** Sprzęt ochronny, jak na przykład maska przeciwpyłowa, antypoślizgowe obuwie ochronne, kask lub słuchawki ochronne używane we właściwych sytuacjach pozwoli na zmniejszenie ryzyka obrażeń ciała.
- c) **Unikać niezamierzonego uruchomienia. Przed podłączeniem urządzenia do sieci, zawsze sprawdzić, czy przełącznik znajduje się w pozycji „wyłączony”.** Przenoszenie elektronarzędzi z palcem na przełączniku lub włączonych elektronarzędzi z przełącznikiem w położeniu włączenia jest bardzo niebezpieczne i może powodować wypadki.
- d) **Przed włączeniem elektronarzędzia akumulatorowego należy usunąć z niego wszystkie klucze nastawcze lub maszynowe.** Pozostawie-

- nie klucza zamocowanego na jednej z części obrotowych urządzenia może spowodować powstanie obrażeń ciała.
- e) **Nie należy sięgać ponad urządzeniem. Przez cały czas należy zachować odpowiednią równowagę i zapewnić odpowiednie oparcie dla stóp.** Pozwoli to na lepsze kontrolowanie urządzenia w nieoczekiwanych sytuacjach.
- f) **Należy nosić odpowiednie ubranie. Do pracy z urządzeniem nie wkładać luźnych ubrań ani biżuterii. Włosy, ubranie i rękawiczki trzymać z dala od części ruchomych.** Luźne części ubrania, biżuteria lub długie włosy mogą zostać wciągnięte przez części ruchome.
- g) **Jeśli w urządzeniu przewidziano elementy służące do odprowadzania i zbierania pyłu, należy sprawdzić, czy są podłączone, i czy działają we właściwy sposób.** Korzystanie z tego typu elementów pozwala ograniczyć ryzyko związane z wydzielaniem pyłu podczas pracy urządzenia.
- h) **Nie zezwalać na to, aby rutyna związana z częstym korzystaniem z narzędzi powodowała nadmierną pewność siebie i ignorowanie zasad bezpiecznego korzystania z narzędzi.** Nieodpowiedzialne działanie może spowodować poważne obrażenia ciała w ułamku sekundy.
- 4) Obsługa i konserwacja elektronarzędzi akumulatorowych**
- a) **Urządzenia nie należy przeciążać. Należy korzystać z narzędzia odpowiedniego do danego typu pracy.** Odpowiednio dobre urządzenie pozwoli na lepsze i bezpieczniejsze wykonanie pracy, we właściwym dla urządzenia tempie.
- b) **Z elektronarzędzia akumulatorowego nie należy korzystać, jeśli nie można go włączyć i wyłączyć przy pomocy przełącznika.** Urządzenie, którego nie można kontrolować używając przełącznika jest niebezpieczne i powinno być oddane do naprawy.
- c) **Przed przystąpieniem do regulowania elektronarzędzi akumulatorowych, wymiany akcesoriów lub przygotowywania urządzeń do okresu przechowywania, należy odłączyć wtyczkę od źródła zasilania.** Tego typu środki ostrożności zmniejszają ryzyko przypadkowego uruchomienia urządzenia.
- d) **Nieczynne elektronarzędzia akumulatorowe należy przechowywać poza zasięgiem dzieci. Nie należy pozwolić, aby osoby nie znające urządzenia lub niniejszych instrukcji obsługi wały urządzenie.** Elektronarzędzia akumulatorowe w rękach niekompetentnych użytkowników stanowią zagrożenie.
- e) **Elektronarzędzia akumulatorowe należy utrzymywać w dobrym stanie technicznym. Należy sprawdzać, czy części ruchome są właściwie założone, i czy się nie zacinają. Należy również sprawdzać, czy jakieś części nie są uszkodzone oraz sprawdzać wszelkie inne elementy, które mogą wpłynąć na pracę urządzeń. Jeśli urządzenie jest uszkodzone, przed przystąpieniem do jego użytkowania, należy je naprawić.** Częstą przyczyną wypadków jest zły stan techniczny urządzeń.
- f) **Narzędzia służące do cięcia powinny być naostrzone i utrzymywane w czystości.** Jeśli narzędzia służące do cięcia, które posiadają ostre krawędzie tnące, są właściwie konserwowane, istnieje mniejsze prawdopodobieństwo ich zacinania się. Ponadto, łatwiej je kontrolować.
- g) **Elektronarzędzia akumulatorowe, akcesoriów, nakładek, itp. należy używać zgodnie z niniejszymi instrukcjami oraz w sposób właściwy dla danego rodzaju urządzenia, z uwzględnieniem warunków pracy oraz jej rodzaju.** Używanie urządzenia niezgodnie z przeznaczeniem może prowadzić do powstania sytuacji niebezpiecznych.
- h) **Uchwyty należy utrzymywać w stanie suchym, czystym i niezabrudzonym olejem lub smarem.** Śliskie uchwyty i powierzchnie do chwytania nie pozwalają na bezpieczne obchodzenie się z narzędziem i panowanie nad nim w nieoczekiwanych sytuacjach.
- 5) Serwis**
- a) **Zlecać serwisowanie elektronarzędzie wykwalifikowanemu technikowi stosującymi jedynie części zamienne identyczne z oryginalnymi.** Zapewni to zachowanie bezpieczeństwa elektronarzędzia.

OSTRZEŻENIA DOTYCZĄCE BEZPIECZEŃSTWA WSPÓLNE DLA SZLIFOWANIA I PRZECIENANIA SZLIFIERKĄ

- a) **To elektronarzędzie jest przeznaczone do użytku w roli szlifierki. Przeczytać wszystkie ostrzeżenia dotyczące bezpieczeństwa, ilustracje oraz dane techniczne dołączone do tego elektronarzędzia.** Nieprzestrzeganie wszystkich instrukcji podanych poniżej może prowadzić

do porażenia prądem, pożaru i/lub poważnych obrażeń ciała.

- b) **Nie zalecamy wykonywania tym elektronarzędziami czynności, takich jak szlifowanie drewna, szcztokowanie szcztoką metalową i polerowanie.** Używanie elektronarzędzia do prac niezgodnych z jego przeznaczeniem może być ryzykowne i powodować obrażenia ciała.
- c) **Nie używać akcesoriów, które nie są specjalnie przeznaczone do tego narzędzia i zalecane przez jego producenta.** Fakt, że akcesorium można podłączyć do elektronarzędzia nie oznacza, że jego użytkowanie będzie bezpieczne.
- d) **Znamionowe obroty akcesorium muszą być co najmniej równe maksymalnym obrotom podanym na elektronarzędziu.** Akcesoria pracujące z obrotami przekraczającymi obroty znamionowe mogą pęknąć i rozlecieć się na kawałki.
- e) **Zewnętrzna średnica i grubość akcesorium muszą mieścić się w zakresie dopuszczalnym dla elektronarzędzia.** Akcesoria o nieodpowiednich rozmiarach nie mogą być poprawnie osłonięte ani sterowane.
- f) **Akcesoria z mocowaniem gwintowanym muszą pasować do gwintu wrzeciona szlifierki. W przypadku akcesoriów mocowanych za pomocą kołnierza, otwór centralny akcesorium musi pasować do średnicy mocującej kołnierza.** Akcesoria nie pasujące do osprzętu mocującego elektronarzędzia będą pracować bez wyważenia, nadmiernie drgać i mogą powodować utratę panowania nad narzędziem.
- g) **Nie używać uszkodzonych akcesoriów. Przed każdym użyciem sprawdzać akcesoria, takie jak tarcze ściernie, pod kątem pęknięć i odłamań, takie jak podkładki pod kątem pęknięć, rozerwania lub nadmiernego zużycia, a szcztotki druciane pod kątem luźnych lub pękniętych drutów. Jeśli elektronarzędzie lub akcesorium zostanie upuszczone, sprawdzić pod kątem uszkodzeń lub zamocować nieuszkodzone akcesorium. Po sprawdzeniu i zamocowaniu akcesorium ustawić własne ciało oraz osoby postronne z dala od płaszczyzny obrotów akcesorium obrotowego i uruchomić elektronarzędzie z maksymalnymi obrotami bez obciążenia na minutę. Uszkodzone akcesoria zwykle rozpadają się w czasie takiego testu.**
- h) **Nosić środki ochrony osobistej. W zależności od zastosowania stosować tarczę chroniącą twarz lub ochronne okulary. W razie potrzeby**

nosić maskę przeciwpyłową, ochronniki słuchu, rękawice i roboczy fartuch, zatrzymujący małe elementy cierne lub drobne kawałki obrabianego przedmiotu. Środki ochrony oczu muszą być w stanie zatrzymać wyrzucone w powietrze odłamki powstające podczas różnych prac. Maskę przeciwpyłową lub oddechową musi być w stanie filtrować cząstki powstające podczas wykonywanej pracy. Przedłużona ekspozycja na hałas o wysokim natężeniu może powodować utratę słuchu.

- i) **Osoby postronne muszą znajdować się w bezpiecznej odległości od obszaru pracy. Każda osoba wchodząca w obszar pracy musi mieć na sobie środki ochrony osobistej.** Kawałki obrabianego przedmiotu lub pękniętego akcesorium mogą zostać wyrzucone w powietrze i spowodować obrażenia ciała poza bezpośrednim obszarem pracy.
- j) **Trzymać narzędzie tylko za izolowane powierzchnie do chwytania podczas wykonywania prac, podczas których osprzęt tnący może zetknąć się z ukrytym okablowaniem lub przewodem narzędzia.** Zetknięcie się osprzętu tnącego z przewodem pod napięciem może sprawić, że odsonięte metalowe części narzędzia również będą pod napięciem i spowodować porażenie operatora prądem.
- k) **Umieszczać przewód zasilania z dala od obracających się akcesoriów.** W razie utraty panowania nad narzędziem przewód może zostać przecięty lub pochwycony, a dłoń lub ręka użytkownika może zostać wciągnięta w obracające się akcesorium.
- l) **Nigdy nie odkładać elektronarzędzia, dopóki akcesorium całkowicie się nie zatrzyma.** Obracające się akcesorium może zaczepić o powierzchnię i wyrwać elektronarzędzie z ręką użytkownika.
- m) **Nie włączać elektronarzędzia podczas przenoszenia go u boku.** Przypadkowy kontakt z obracającym się akcesorium może spowodować zaczepienie ubrania, wciągając akcesorium w ciało użytkownika.
- n) **Regularnie czyścić otwory wentylacyjne elektronarzędzia.** Wentylator silnika wciąga pył do wnętrza obudowy, a nadmierne nagromadzenie się opiłków metalu może powodować zagrożenia elektryczne.
- o) **Nie używać elektronarzędzia w pobliżu materiałów łatwopalnych.** Iskry mogą spowodować ich zapłon.

- p) **Nie używać akcesoriów wymagających płynnych chłodziw.** Użycie wody lub innego płynnego chłodziwa może spowodować porażenie prądem.

Ostrzeżenia dotyczące odrzutu itp

Odrzut to nagła reakcja na zablokowanie lub zaczepienie się obracającej się tarczy, podkładki, szczotki lub innego akcesorium. Ściśnięcie lub zaczepienie powoduje nagłe utknięcie obracającego się akcesorium, co z kolei prowadzi do utraty panowania nad elektronarzędziem i odrzucenia go w kierunku przeciwnym do kierunku obrotów akcesorium w punkcie utknięcia. Na przykład, jeśli tarcza ścierna zostanie zaczepiona lub ściśnięta przez obrabiany przedmiot, krawędź tarczy wchodząca w miejsce ściśnięcia może zagłębić się w powierzchnię materiału, powodując wyskoczenie lub wyrzucenie tarczy. Tarcza może wyskoczyć w kierunku operatora lub od operatora, w zależności od kierunku ruchu tarczy w momencie ściśnięcia. Tarcze ścierne mogą także pękać w takich okolicznościach. Odrzut jest rezultatem błędnego użytkowania elektronarzędzia i/lub stosowania błędnych metod bądź warunków pracy i można go unikać, stosując środki ostrożności opisane poniżej.

- Utrzymywać silny chwyt elektronarzędzia i ustawiać ciało oraz ramię tak, aby móc stawić opór sile odrzutu. Zawsze stosować uchwyt pomocniczy, jeśli jest dołączony, aby uzyskać maksymalne panowanie nad odrzutem oraz reakcją momentu obrotowego podczas rozruchu.** Operator może kontrolować reakcję momentu obrotowego oraz siły odrzutu, przestrzegając odpowiednich środków ostrożności.
- Nigdy nie umieszczać ręki w pobliżu akcesorium obrotowego.** Akcesorium może zostać odrzucone w rękę.
- Nie ustawiać ciała w obszarze, gdzie przemieszczi się elektronarzędzie w razie wystąpienia odrzutu.** Odrzut pchnie narzędzie w kierunku przeciwnym do ruchu tarczy w punkcie utknięcia.
- Zachować szczególną ostrożność podczas pracy z rogami, ostrymi krawędziami itp. Unikać odbijania i zaczepiania akcesorium.** Rogi, ostre krawędzie lub odbicia często powodują utknięcie obrotowego akcesorium i utratę panowania nad narzędziem albo odrzut.
- Nie podłączać brzeszczota do cięcia drewna od piły łańcuchowej ani zębatego brzeszczota**

piły. Takie brzeszczoty powodują częsty odrzut i utratę panowania.

SZCZEGÓLNE OSTRZEŻENIA DOTYCZĄCE BEZPIECZEŃSTWA SZLIFOWANIA I PRZECINANIA SZLIFIERKĄ

- Używać tylko rodzajów tarcz zalecanych dla elektronarzędzia i specjalnych osłon przeznaczonych dla wybranej tarczy.** Tarcze nieprzeznaczone dla elektronarzędzia nie mogą być odpowiednio zabezpieczone osłoną i są niebezpieczne.
- Powierzchnia ścierna tarcz o wklęsłym środku musi być zamocowana poniżej płaszczyzny krawędzi osłony.** Błędnie zamocowana tarcza wystająca poza płaszczyznę krawędzi osłony nie zapewnia odpowiedniej ochrony.
- Osłona musi być dobrze zamocowana do elektronarzędzia i ustawiona w sposób zapewniający maksymalne bezpieczeństwo, tak aby jak najmniejsza część tarczy była odsłonięta dla operatora.** Osłona pomaga chronić operatora przed kawałkami pękniętej tarczy, przypadkowym dotknięciem tarczy oraz iskrami, które mogłyby zapalić ubranie.
- Tarcze stosować jedynie zgodnie z przeznaczeniem. Na przykład: nie szlifować bokiem tarczy do odcinania.** Tarcze do odcinania ściernego są przeznaczone do szlifowania obwodowego, a siła działająca na te tarcze z boku może powodować ich rozpad.
- Zawsze stosować nieuszkodzone kołnierze tarcz o odpowiednim rozmiarze i kształcie dla wybranej tarczy.** Odpowiednie kołnierze tarcz podpierają tarczę, zmniejszając ryzyko ich pęknięcia. Kołnierze do tarcz do odcinania mogą być różne od kołnierzy dla tarcz do szlifowania.
- Nie używać zużytych tarcz z większych elektronarzędzi.** Tarcze przeznaczone dla większych elektronarzędzi nie są odpowiednie dla wyższych obrotów mniejszego narzędzia i mogą się rozpaść.

DODATKOWE SZCZEGÓLNE OSTRZEŻENIA DOTYCZĄCE BEZPIECZEŃSTWA PRZECINANIA SZLIFIERKĄ



Przecinanie można wykonywać jedynie ze specjalną osłoną (nie dołączoną) Rys. C2 - D2

- Nie blokować tarczy odcinającej ani nie stosować nadmiernego nacisku. Nie podejmować**

prób wykonywania cięcia o nadmiernej głębokości. Przeciążenie tarczy zwiększa obciążenie i ryzyko skręcenia lub utknięcia tarczy w miejscu cięcia oraz ryzyko odrzutu lub pęknięcia tarczy.

- b) **Nie ustawiać ciała w jednej linii i za obrotową tarczą.** Kiedy tarcza w miejscu pracy porusza się w kierunku od ciała operatora, możliwy odrzut może pchnąć obracającą się tarczę i elektronarzędzie bezpośrednio w operatora.
- c) **Kiedy tarcza utyka lub w razie przerwania cięcia z jakiegos powodu, wyłączać elektronarzędzie i trzymać je nieruchomo, aż do całkowitego zatrzymania tarczy. Nigdy nie próbować wyjmować tarczy do odcinania z miejsca cięcia, gdy tarcza się porusza, bo w przeciwnym razie może dojść do odrzutu.** Sprawdzić i usunąć przyczynę utkania tarczy.
- d) **Nie wznawiać cięcia, gdy tarcza jest w obrabianym przedmiocie. Pozwolić tarczy na osiągnięcie pełnych obrotów i ostrożnie ponownie wprowadzić ją w miejsce cięcia.** Tarcza może utykać, unosząc się z miejsca cięcia albo powodować odrzut, jeśli elektronarzędzie zostanie uruchomione ponownie z tarczą w miejscu cięcia.
- e) **Podpierać panele lub zbyt duże obrabiane przedmioty, aby ograniczyć ryzyko utkania tarczy i odrzutu. Duże obrabiane przedmioty często opadają pod własnym ciężarem.** Umieścić podpory pod obrabianym przedmiotem w pobliżu linii cięcia i w pobliżu krawędzi obrabianego przedmiotu po obu stronach tarczy.
- f) **Zachować szczególną ostrożność podczas wykonywania cięcia "kieszeniowego" w istniejących ścianach lub innych zastłoniętych miejscach.** Wystająca tarcza może przeciąć rury z gazem lub wodą, przewody elektryczne lub obiekty mogące powodować odrzut.

Bezpieczeństwo elektryczne



Zawsze sprawdzać, czy napięcie zasilania jest zgodne z napięciem podanym na tabliczce znamionowej.

- Nie używać urządzenia, jeśli jego kabel zasilający jest uszkodzony lub wtyczka kabla zasilającego jest uszkodzona.
- Używać wyłącznie przedłużaczy przystosowanych do pracy z parametrami zasilania urządzenia o minimalnej grubości 1,5 mm². W przypadku korzystania z przedłużacza w zwoju, zawsze całkowicie rozwinąć zwój.

- Jeśli kabel zasilania tego elektronarzędzia ulegnie uszkodzeniu, musi zostać wymieniony na specjalny kabel zasilania dostępny w serwisie.

2. INFORMACJE O MASZYNIE

Przeznaczenie

Szlifierka kątowa jest przeznaczona do szlifowania materiałów murowanych i stalowych bez użycia wody. Do cięcia należy zastosować specjalną osłonę ochronną (nie dołączona) Rys. D2.



Nie przeznaczona do użytkowania na placu budowy.

DANE TECHNICZNE

| Nr modelu | AG506AC |
|---|--|
| Napięcie sieciowe | 220-240V~ |
| Częstotliwość sieciowacy | 50/60Hz |
| Pobór mocy | 2600W |
| Prędkość bez obciążenia | 6500 /min |
| Hałas i drgania | |
| Średnica: | 230 mm |
| Otwór środkowy: | 22,2 mm |
| Gwint wrzeciona | M14 |
| Ciężar | 6,7 kg |
| Ciśnienie akustyczne L _{PA} | 96,1 dB(A), K=3dB(A) |
| Moc akustyczna L _{WA} | 107,1 dB(A), K=3dB(A) |
| Drgania "Szlifowanie powierzchni" a _{h,AG} | 7,86 m/s ² , K=1,5 m/s ² |



Nosić ochronniki słuchu.

Poziom drgań

Poziom emisji drgań podany w tej instrukcji obsługi został zmierzony zgodnie ze standaryzowanym testem podanym w normie EN 60745-1 i EN 60745-2-3; może on służyć do porównywania narzędzi ze sobą oraz do wstępnego oszacowania ekspozycji na drgania podczas użytkowania narzędzia do podanych zastosowań.

- emisja drgań podczas rzeczywistego użytkowania elektronarzędzia może różnić się od zadeklarowanej wartości całkowitej w zależności od sposobu użytkowania narzędzia,
- konieczne jest określenie środków ochrony operatora w oparciu o szacowane narażenie

w rzeczywistych warunkach użytkowania (z uwzględnieniem wszystkich części cyklu pracy, np. czasu, kiedy narzędzie jest wyłączone oraz gdy pracuje na biegu jałowym, poza samym czasem jego włączenia).

Chronić się przed wpływem drgań, konserwując odpowiednio narzędzie i akcesoria, utrzymując ciepłotę dłoni oraz odpowiednio organizując pracę.

OPIS

Liczby w tekście odnoszą się do rysunków na stronach 2-4.

1. Przycisk blokady wrzeciona
2. Śruba imbusowa
3. Osłona ochronna
4. Pokrywa szczotki węglowej
5. Włącznik
6. Miejsce podłączania uchwytu bocznego
7. Uchwyt boczny
8. Klucz imbusowy
9. Uchwyt tylny
10. Wrzeciono
11. Kołnierz mocujący
12. Tarcza (nie dołączona)
13. Nakrętka mocująca
14. Klucz

3. MONTAŻ



Przed montażem należy zawsze wyłączyć urządzenie i odłączyć od sieci zasilającej.

Montaż osłony ochronnej (Rys. C i D)

- Położyć maszynę na stole z wrzecionem (10) skierowanym do góry.
- Nałożyć osłonę ochronną (3) na głowicę maszyny zgodnie z Rysunkiem C, dopilnowując, aby krawędzie osłony ochronnej weszły w nacięcia w głowicy maszyny.
- Przekręcić osłonę ochronną przeciwnie do wskazówek zegara zgodnie z Rysunkiem D
- Przykręcić śrubę imbusową (2) osłony kluczem imbusowym (8)
- Można dostosować położenie osłony ochronnej poprzez poluzowanie śruby imbusowej (2), przestawienie osłony w żądane położenie i ponowne przykręcenie śruby imbusowej.



Nie podejmować prób użytkowania maszyny bez osłony.

Mocowanie i demontaż tarczy (Rys. B)



Nie używać narzędzia bez osłony.



Używać wyłącznie ostrych i nieuszkodzonych tarcz.

Mocowanie

1. Położyć maszynę na stole z osłoną ochronną (3) skierowaną do góry.
2. Założyć kołnierz (11) na wrzeciono (10).
3. Założyć tarczę (12) na wrzeciono (10).
4. Trzymając wciśnięty przycisk blokady wrzeciona (1), mocno dokręcić nakrętkę mocującą (13) na wrzeciono (10) przy pomocy klucza (14).

Zdejmowanie

1. Położyć maszynę na stole z osłoną ochronną (3) skierowaną do góry.
2. Trzymając przycisk blokady wrzeciona (1) wciśnięty, poluzować nakrętkę mocującą (13) kluczem (14).
3. Zdjąć tarczę (12) z wrzeciona (10).
4. Trzymając przycisk blokady wrzeciona (1) wciśnięty, mocno dokręcić nakrętkę mocującą (13) kluczem (14).

Montaż uchwytu bocznego (Rys. A i E)

- Uchwyt boczny (7) można przykręcić do jednego z trzech punktów mocowania uchwytu (6).

4. OBSŁUGA



Dopilnować, aby obrabiany przedmiot był poprawnie podarty lub unieruchomiony.

Włączanie i wyłączanie (Rys. A)

- Aby włączyć maszynę następnie wcisnąć włącznik (5).
- Aby wyłączyć maszynę, zwolnić włącznik (5).
- Trzymać maszynę z dala od obrabianego przedmiotu podczas włączania i wyłączania, ponieważ tarcza może uszkodzić obrabiany przedmiot.
- Mocno zacisnąć obrabiany przedmiot zaciskami lub użyć innego sposobu gwarantującego jego unieruchomienie podczas pracy.
- Regularnie sprawdzać tarcze. Zużyte tarcze

mają negatywny wpływ na sprawność maszyny. Zmieniać tarcze na nowe z odpowiednim wyprzedzeniem.

Szlifowanie (Rys. F)



Kąt nachylenia od 30° do 40° zapewnia najlepsze rezultaty podczas szlifowania. Przesuwać maszynę do tyłu i naprzód, stosując lekki nacisk. Zapobiegnie to odbarwieniu obrabianego przedmiotu lub jego nadmiernemu rozgrzaniu i pozwoli uniknąć wycięcia rowków.



Nigdy nie używać tarczy do cięcia do szlifowania!

Cięcie (Rys. G)



Do cięcia należy zastosować specjalną osłonę ochronną (nie dołączoną).

Utrzymywać stały i silny kontakt z obrabianym przedmiotem, aby zapobiec drganiom, nie przechyłać narzędzia ani nie naciskać go podczas cięcia. Stosować umiarkowany nacisk podczas pracy, odpowiedni dla obrabianego materiału. Nie spawalniać tarczy stosując nacisk w bok. Ważny jest żądany kierunek cięcia. Maszyna musi zawsze pracować w kierunku przeciwnym do kierunku cięcia, dlatego nigdy nie wolno jej poruszać w przeciwnym kierunku! Istnieje ryzyko utknięcia maszyny w cięciu, co spowoduje odrzut i utratę panowania.

Porady dotyczące optymalnego użytkowania

- Mocować obrabiany przedmiot zaciskami. Używać urządzenia ściskającego (np. imadła) do małych obrabianych przedmiotów.
- Trzymać maszynę obiema rękami.
- Włączyć maszynę.
- Poczekać, aż maszyna osiągnie maksymalne obroty.
- Dotknąć obrabianego przedmiotu tarczą.
- Powoli przesunąć maszynę wzdłuż obrabianego przedmiotu, mocno dociskając tarczę do obrabianego przedmiotu.
- Nie naciskać maszyny za mocno. Pozwolić jej wykonać swoją pracę.
- Wyłączyć maszynę i poczekać, aż całkowicie się zatrzyma przed jej odłożeniem.

5. KONSERWACJA



Przed rozpoczęciem czyszczenia i konserwacji zawsze wyłączać maszynę i wyjmować wtyczkę zasilania sieciowego z gniazdka.

Czyścić obudowę maszyny regularnie miękką ściereczką, najlepiej po każdym użyciu. Dopilnować, aby otwory wentylacyjne były wolne od pyłu, kurzu i zabrudzeń. Usuwać odporne zabrudzenia miękką ściereczką zwilżoną mydlinami. Nie używać żadnych rozpuszczalników, takich jak benzyna, alkohol, amoniak itp. Takie substancje chemiczne spowodują uszkodzenie części z tworzyw sztucznych.

SRODOWISKO



Uszkodzone i/lub niepotrzebne urządzenia elektryczne lub elektroniczne podlegają zbiórce w odpowiednich punktach recyklingu.

Tylko kraje WE

Nie wyrzucać elektronarzędzi wraz z odpadami z gospodarstw domowych. Zgodnie z dyrektywą 2012/19/EU dotycząca zużytych urządzeń elektrycznych i elektronicznych oraz jej wdrożeniem do prawodawstwa krajowego, elektronarzędzia, które już nie nadają się do użytku, podlegają oddzielnej zbiórce oraz utylizacji w sposób przyjazny dla środowiska.

GWARANCJA

Produkty VONROC są wytwarzane zgodnie z najwyższymi standardami jakości i producent udziela gwarancji na wady materiałowe i wady wykonania na okres wymagany prawem, licząc od dnia zakupu. Jeśli wystąpi usterka produktu w tym okresie spowodowana wadą materiałową i/lub wadą wykonania, proszę bezpośrednio skontaktować się ze sprzedawcą VONROC.

Następujące okoliczności powodują unieważnienie gwarancji:

- Przeprowadzono naprawy lub modyfikacje narzędzia w serwisie innym lub autoryzowany lub podjęto ich próbę;
- Normalne zużycie nie jest objęte gwarancją;
- Narzędzie było używane niezgodnie z

prezincenem,  le z nim si  obchodzo no lub by o nieprawid owo konserwowane;

- U yto cz eści zamiennych innych ni  oryginalne.

Niniejsza gwarancja to wy łączna gwarancja producenta i nie obowi zuj  żadne inne wyrażone ani dorozumiane gwarancje. Nie obowi zuj  żadne inne wyrażone ani dorozumiane gwarancje o zakresie przekraczaj cym niniejsz  gwarancj , co obejmuje dorozumiane gwarancje przydatności do sprzeda y i przydatności do okre lonego celu. W  adnym przypadku firma VONROC nie ponosi odpowiedzialności za straty przypadkowe lub wynikowe. Zadośćuczynienie sprzedawcy jest ograniczone do naprawy lub wymiany niezgodnych urz dzeń lub cz eści.

Produkt i instrukcja obs ugi podlegaj  zmianom. Dane techniczne podlegaj  zmianom bez uprzedzenia.

1. INSTRUCȚIUNI DE SIGURANȚĂ

Citiți avertiz rile de siguranță, avertiz rile de siguranță suplimentare și instrucțiunile. Nerespectarea avertiz rilor de siguranță poate cauza producerea de electrocut ri, incendii și/sau r niri grave. P st-rați avertiz rile de siguranță și instrucțiunile pentru referințe viitoare.

În manualul de utilizare sau pe produs se utilizeaz  urm toarele simboluri:



Citiți manualul de utilizare.



Indic  riscul de r nire personal , pierderea vieții sau deteriorarea inc lzitorului în cazul în care nu se respect  instrucțiunile din acest manual.



Pericol de obiecte zbur toare. Nu permiteți accesul altor persoane în zona de lucru.



Pericol de electrocutare.



În cazul în care cablul de alimentare se deterioreaz  și în timpul procedurilor de cur țare și de întreținere deconectați imediat fișa de la priza de rețea.



Purtați ochelari de protecție.



Purtați protecții antifonice.



Purtați m nuși de protecție.



Nu ap sați butonul de blocare a axului în timp ce motorul este în funcțiune.



Pericol de incendiu.



Mașină clasa II - Izolație dubl  - Nu aveți nevoie de nicio priz  de împ mantare.



Nu scoateți din uz produsul în containere neadecvate.



Produsul este în conformitate cu standardele de siguranță aplicabile din directivele europene.

REGULI GENERALE DE PROTECȚIA MUNCII



AVERTISMENT! Citiți toate avertizările de siguranță și toate instrucțiunile. Respectarea tuturor instrucțiunilor prezentate în cele ce urmează este obligatorie pentru evitarea riscurilor de electrocutare, incendiu și/sau de vătămări grave.

Păstrați aceste instrucțiuni.

Termenul "sculă electrică" ce apare în toate avertismentele de mai jos se referă la scula electrică alimentată la priză (prin cablu de alimentare) sau la scula electrică alimentată prin acumulatori (fără cablu de alimentare).

1) Spațiul de lucru

- Mențineți spațiul de lucru curat și bine iluminat.** Spațiile de lucru dezordonate și întunecate predisun la accidente.
- Nu utilizați sculele electrice în medii explozive, ca de exemplu în prezența unor materiale inflamabile cum ar fi lichide, gaze sau praf.** Sculele electrice produc scântei, care pot aprinde praful sau vaporii.
- În timpul lucrului cu o sculă electrică, nu lăsați copiii sau privitorii să se apropie.** Micșorarea atenției vă poate face să pierdeți controlul.

2) Securitatea din punct de vedere electric

- Ștecherile sculelor electrice trebuie să se potrivească în priza de alimentare. Nu modificați ștecherul niciodată și în nici un fel. Nu folosiți ștechere de adaptare pentru sculele electrice cu legare la pământ (împământate).** Ștecherele nemodificate și prizele de alimentare corespunzătoare vor reduce riscul de electrocutare.
- Evitați contactul corporal cu suprafețele împământate, cum ar fi conducte, radiatoare, plite sau frigidere.** Există un risc sporit de electrocutare în cazul în care corpul dumneavoastră este legat la pământ.
- Nu expuneți sculele electrice la ploaie sau la umezeală.** În urma intrării apei într-o sculă electrică va crește riscul de electrocutare.
- Nu forțați cablul de alimentare. Nu folosiți niciodată cablul de alimentare pentru transportul, tragerea sau scoaterea din priză a sculei electrice. Țineți cablul de alimentare departe de sursele de căldură, petrol, vârfuri ascuțite sau de piese în mișcare.** Cablurile de alimen-

tare deteriorate sau încălcite duc la creșterea riscului de electrocutare.

- Atunci când folosiți o sculă electrică în exterior, utilizați un prelungitor corespunzător lucrului în exterior.** Utilizarea unui prelungitor corespunzător lucrului în exterior reduce riscul de electrocutare.
 - În cazul în care operarea unei unelte electrice într-un spațiu cu umiditate nu poate fi evitată, utilizați o alimentare cu dispozitiv de protecție la curent rezidual (RCD).** Utilizarea unui dispozitiv RCD reduce riscul electrocutării.
- ### 3) Securitatea personală
- Atunci când folosiți o sculă electrică fiți concentrat, fiți atent la ceea ce faceți și acționați conform bunului simț. Nu folosiți o sculă electrică atunci când sunteți sub influența drogurilor, alcoolului sau a medicamentelor.** Un moment de neatenție în timpul utilizării sculelor electrice poate duce la vătămări personale grave.
 - Utilizați echipamentul de protecție corporală. Folosiți întotdeauna ochelari de protecție.** Folosirea echipamentelor de protecție conform condițiilor de lucru, ca de exemplu măști de praf, încălțăminte de protecție anti-alunecare, căști de protecție sau antifoane va reduce vătămrile personale.
 - Evitați pornirea accidentală. Înainte de a introduce scula electrică în priza de alimentare, asigurați-vă că aveți comutatorul de acționare în poziția oPRIT (off).** Transportarea uneltelor electrice ținând degetul pe întrerupător sau alimentarea cu tensiune a uneltelor electrice ce au întrerupătorul în poziția pornit înlesnesc producerea.
 - Înainte de a pune în funcțiune scula electrică, îndepărtați toate penele sau cheile de reglare.** O cheie sau o pană care au fost lăsate atașate de o parte rotativă a sculei electrice poate duce la vătămări personale.
 - Nu vă întindeți pentru a ajunge la punctul de lucru.** Mențineți permanent un contact ferm al piciorului și un echilibru stabil. În acest fel puteți controla mai bine scula electrică în situații neprevăzute.
 - Îmbrăcați-vă în mod adecvat. Nu purtați haine largi sau bijuterii. Părul, hainele și mănușile trebuie menținute departe de părțile în mișcare.** Hainele largi, părul și bijuteriile pot fi agățate și prinse de părțile în mișcare.

- g) Dacă dispozitivele sunt construite pentru a fi conectate la echipamente de extragere și colectare a prafului, asigurați-vă că aceste echipamente sunt conectate și funcționează corect. Folosirea unor astfel de echipamente poate reduce pericolele legate de praf.
- h) **Nu lăsați ca obișnuința obținută prin utilizarea frecventă a uneltelor să vă permită să deveniți impasibil și să ignorați principiile de siguranță în utilizarea uneltelor.** O acțiune neglijentă poate provoca accidente grave într-o fracțiune de secundă.
- 4) Utilizarea și întreținerea sculei electrice**
- a) **Nu forțați scula electrică. Folosiți scula electrică adecvată operațiunii care trebuie efectuată.** O sculă electrică adecvată își va efectua mai bine și mai în siguranță sarcina deoarece este folosită la parametrii pentru care a fost proiectată.
- b) **Nu folosiți scula electrică în cazul în care comutatorul de acționare nu realizează pornirea și oprirea acesteia.** Orice sculă electrică ce nu poate fi comandată cu ajutorul comutatorului de acționare este periculoasă și trebuie reparată.
- c) **Înainte de a efectua orice fel de reglaje, schimbări ale accesoriilor sau pe perioada depozitării sculelor electrice deconectați ștecherul de la sursa de energie electrică.** Astfel de măsuri preventive reduc riscul de pornire accidentală a sculei electrice.
- d) **Nu depozitați sculele electrice neutilizate la îndemâna copiilor și nu permiteți persoanelor care nu sunt familiare cu sculele electrice sau cu prezentele instrucțiuni să le utilizeze.** Sculele electrice sunt periculoase atunci când sunt utilizate de către persoane neinstruite.
- e) **Întrețineți sculele electrice. Verificați alinierea sau prinderea părților în mișcare, verificați componentele sculei pentru a vă asigura că nu sunt sparte și, de asemenea, verificați orice alte situații care ar putea afecta funcționarea sculei electrice. Dacă scula electrică se defectează, reparați-o înainte de a o refolosi.** Sculele electrice întreținute necorespunzător duc la producerea multor accidente.
- f) **Mențineți sculele așchietoare ascuțite și curate.** Sculele așchietoare întreținute corespunzător, având muchiile tăietoare ascuțite, se întepenesc mai greu și sunt mai ușor de controlat.
- g) **Utilizați sculele electrice, accesoriile și burghiile etc., în conformitate cu prezentele instrucțiuni și în mod corespunzător tipului de sculă electrică utilizat, ținând seama de condițiile de lucru și de sarcina care trebuie efectuată.** Utilizarea unor scule electrice pentru operații diferite de cele pentru care acestea au fost proiectate poate duce la situații periculoase.
- h) **Țineți mânerul și suprafețele de prindere uscate, curate și lipsite de ulei și unsoare.** Mânere și suprafețele de prindere alunecoase nu permit manipularea și controlul uneltei în de siguranță în situații neașteptate.
- 5) Service**
- a) **Prevedeți repararea uneltei de lucru de către o persoană calificată, folosind exclusiv piese de schimb identice.** Astfel, vă asigurați că este păstrată siguranța uneltei electrice.

AVERTIZĂRI DE SIGURANȚĂ SPECIFICE OPERAȚIUNILOR DE ȘLEFUIRE SAU TĂIERE ABRAZIVĂ

- a) **Această sculă este destinată să funcționeze ca o sculă de șlefuit. Citiți toate avertizările de siguranță, instrucțiunile, ilustrațiile și specificațiile furnizate împreună cu această sculă electrică.** Nerespectarea tuturor instrucțiunilor enumerate mai jos poate cauza producerea de electrocutări, incendii și/sau răniri grave.
- b) **Nu se recomandă utilizarea acestei scule electrice pentru operațiuni precum șlefuirea, perierea, lustruirea.** Operațiile pentru care nu este destinată scula electrică pot crea pericole și pot cauza rănire personală.
- c) **Nu utilizați accesoriile care nu sunt special concepute și recomandate de producătorul mașinii.** Doar pentru că un accesoriu poate fi atașat de scula electrică, acest lucru nu asigură funcționarea în siguranță.
- d) **Viteza nominală a accesoriului trebuie să fie cel puțin egală cu viteza maximă marcată pe scula electrică.** Accesoriile care funcționează mai rapid decât viteza lor nominală se pot rupe sau se pot desprinde.
- e) **Diametrul exterior și grosimea accesoriului dumneavoastră trebuie să se înscrie în capacitatea nominală a sculei electrice.** Accesoriile incorect dimensionate nu pot fi protejate sau controlate în mod adecvat.
- f) **Montajul filetat al accesoriilor trebuie să corespundă cu filetul axului mașinii de șlefuit.**

- În cazul accesoriilor montat cu flanșe, orificiul axului accesoriului trebuie să se potrivească cu diametrul localizat al flanșei.** Accesoriile care nu se potrivesc cu componentele de montaj ale sculei electrice se vor dezechilibra, vor vibra excesiv și pot cauza pierderea controlului.
- g) **Nu utilizați accesorii deteriorate. Înainte de fiecare utilizare, inspecțiți accesoriul, cum ar fi discurile abrazive pentru fisuri și crăpături, tamponul de amortizare pentru crăpături, rupturi sau uzură excesivă, peria de sârmă pentru fire desprinse sau rupte. În cazul în care scăpați scula electrică sau accesoriile, inspecțiți dacă există daune sau instalați un accesoriu nedeteriorat. După inspectarea și instalarea unui accesoriu, dumneavoastră și celelalte persoane stați departe de locul accesoriului de rotație și operați scula electrică la o viteză maximă fără sarcină, timp de un minut.** De cele mai multe ori, accesoriile deteriorate se rup în această perioadă de probă.
- h) **Purtați echipament personal de protecție. În funcție de utilizare, purtați o protecție completă a feței, protecție pentru ochi sau ochelari de protecție. Dacă este cazul, purtați o mască antipraf, protecții antifonice, mănuși și șort de protecție care să vă ferească de micile așchii sau particule de material.** Ochii trebuie protejați de corpurile străine aflate în zbor, apărute în cursul diferitelor aplicații. Maska antipraf sau masca de protecție respiratorie trebuie să poată filtra particulele generate de operația pe care o efectuați. Expunerea prelungită la zgomotul de intensitate ridicată poate cauza pierderea auzului.
- i) **Nu permiteți persoanelor să se apropie de zona de lucru. Oricine pătrunde în sectorul de lucru trebuie să poarte echipament personal de protecție.** Fragmente din piesa de prelucrare sau din dispozitivele rupte pot zbura necontrolat și provoca răniri chiar în afara sectorului direct de lucru.
- j) **Țineți scula numai de suprafețele de prindere izolate atunci când efectuați o operație în care accesoriul de tăiere ar putea atinge cablajele ascunse sau cablul de alimentare.** Dacă accesoriul atinge un cablu „sub tensiune”, și părțile metalice expuse ale sculei electrice se vor afla „sub tensiune”, ceea ce poate provoca electrocutarea operatorului.
- k) **Țineți cablul de alimentare departe de accesoriile care se rotesc.** Dacă pierdeți controlul asupra mașinii, cablul de alimentare poate fi tăiat sau prins iar mâna sau brațul dumneavoastră poate nimeri sub accesoriul care se rotește.
- l) **Nu puneți niciodată jos scula electrică înainte ca accesoriul să se fi oprit complet.** Accesoriul rotativ poate ajunge în contact cu suprafața de sprijin, fapt care vă poate face să pierdeți controlul asupra sculei electrice.
- m) **Nu lăsați scula electrică să funcționeze în timp ce o transportați.** În urma unui contact accidental cu accesoriul rotativ, acesta vă poate prinde îmbrăcămintea și chiar pătrunde în corpul dumneavoastră.
- n) **Curățați regulat fantele de aerisire ale sculei dumneavoastră electrice.** Ventilatorul motorului va atrage praful în interiorul carcasei, iar acumularea excesivă de pulbere metalică poate cauza pericole electrice.
- o) **Nu operați scula electrică în apropierea materialelor inflamabile.** Scânteile pot duce la aprinderea acestor materiale.
- p) **Nu utilizați accesorii care necesită agenți de răcire lichizi.** Utilizarea apei sau a altor agenți de răcire lichizi poate cauza electrocutare sau șoc electric.

Recul și avertizări corespunzătoare

Recul reprezintă o reacție bruscă la un disc rotativ îndoit sau blocat, tamponul de amortizare, peria sau orice alt accesoriu. Îndoirea sau blocarea duce la oprirea rapidă a accesoriului rotativ care la rândul lui, face ca scula electrică necontrolată să fie accelerată în punctul de blocare, în sens contrar direcției de rotație a accesoriului. Dacă, de exemplu, un disc de șlefuit se agață sau se blochează în piesa de prelucrare, marginea discului de șlefuit care penetrează direct piesa de prelucrare se poate agața în aceasta și duce astfel la smulgerea discului de șlefuit sau poate provoca recul. Discul se va deplasa către operator sau în sens opus acestuia, în funcție de direcția de rotație a discului în punctul de blocare. În această situație discurile de șlefuit se pot chiar rupe. Reculul este rezultatul utilizării incorecte a mașinii și/sau al procedurilor sau al condițiilor incorecte de funcționare, care pot fi evitate urmând măsurile de precauție adecvate, după cum este indicat mai jos.

- a) **Țineți bine scula electrică și aduceți-vă corpul și brațele într-o poziție în care să puteți controla forțele de recul. Utilizați întotdeauna un mâner auxiliar, în caz că acesta există, pentru a avea un control maxim asupra forțelor de recul sau a momentelor de reacție la turații înalte.** Operatorul poate stăpâni forțele de recul și de reacție prin măsuri preventive adecvate.
- b) **Nu apropiați niciodată mâna de accesoriile aflate în mișcare de rotație.** Accesoriul se poate deplasa peste mâna dumneavoastră.
- c) **Evitați să staționați cu corpul în zona de mișcare a sculei electrice în caz de recul.** Reculul proiectează scula electrică într-o direcție opusă mișcării discului de șlefuit din punctul de blocare.
- d) **Lucrați extrem de atent în zona colțurilor, muchiilor ascuțite, etc. Împiedicați ricoșarea și blocarea accesoriului.** Accesoriul aflat în mișcare de rotație are tendința să se blocheze în colțuri, pe muchii ascuțite sau când ricoșează în urma izbirii, determinând astfel pierderea controlului sau reculul.
- e) **Nu folosiți pânze de ferăstrău pentru lemn sau pânze dințate.** Asemenea dispozitive de lucru provoacă frecvent recul sau duc la pierderea controlului.
- d) **Discurile abrazive trebuie folosite numai pentru aplicațiile recomandate. De exemplu: nu șlefuiți cu partea laterală a unui disc de tăiere.** Discurile de tăiere sunt destinate îndepărtării de material cu marginea discului, întrucât exercitarea forțelor laterale asupra discurilor poate duce la ruperea lor.
- e) **Folosiți întotdeauna flanșe de prindere nedeteriorate având dimensiuni și forme corespunzătoare discului ales de dumneavoastră.** Flanșele adecvate sprijină discul de șlefuit diminuând astfel pericolul ruperii acestuia. Flanșele pentru discuri de tăiere pot fi diferite față de flanșele pentru discuri de șlefuit.
- f) **Nu utilizați discuri de șlefuit uzate provenind de la scule electrice mai mari.** Discurile de șlefuit pentru sculele electrice mai mari nu sunt concepute pentru turațiile mai ridicate ale sculelor electrice mai mici și se pot rupe.

AVERTIZĂRI DE SIGURANȚĂ SUPLIMENTARE SPECIFICE OPERAȚIUNILOR DE ȘLEFUIRE ȘI TĂIERE ABRAZIVĂ



Operațiile de tăiere pot fi desfășurate numai cu un dispozitiv special de protecție deschis (neinclus) fig. C2 - D2.

AVERTIZĂRI DE SIGURANȚĂ SPECIFIC OPERAȚIUNILOR DE ȘLEFUIRE ȘI TĂIERE ABRAZIVĂ

- a) **Folosiți numai discuri abrazive admise pentru scula dumneavoastră electrică și o apărătoare de protecție prevăzută pentru aceste discuri abrazive.** Discurile abrazive care nu sunt prevăzute pentru această sculă electrică nu pot fi acoperite și protejate suficient, fiind nesigure.
- b) **Suprafața de polizare a discurilor apăsată în centru trebuie să fie montată sub planul marginii apărătoarei.** Un disc montat necorespunzător care iese prin planul marginii apărătoarei nu poate fi protejat în mod adecvat.
- c) **Apărătoarea de protecție trebuie fixată sigur pe scula electrică și astfel ajustată încât să atingă un grad maxim de siguranță în exploatare, adică numai o porțiune extrem de mică a discului să rămână descoperită în partea dinspre operator.** Apărătoarea de protecție trebuie să protejeze operatorul de fragmentele desprinse prin șlefuire, de atingerea accidentală a discului și de scânteele care pot aprinde îmbrăcămintea.
- a) **Evitați „blocarea” discului de tăiere sau o apăsare prea puternică. Nu executați tăieri exagerat de adânci.** O supraîncărcare a discului de tăiere mărește solicitarea acestuia și tendința sa de a se răsuși în piesa de prelucrare sau de a se bloca, apărând astfel posibilitatea unui recul sau a ruperii discului.
- b) **Evitați să staționați cu corpul în zona din fața și din spatele discului de tăiere care se rotește.** Dacă, în timpul operării, deplasați discul de tăiere în direcție opusă dumneavoastră, în caz de recul, scula electrică împreună cu discul care se rotește pot fi proiectate direct spre dumneavoastră.
- c) **Dacă discul de tăiere se blochează sau dacă întrerupeți lucrul, deconectați scula electrică și nu o mișcați până când discul se oprește complet. Nu încercați niciodată să extrageți discul de tăiere din tăietură în timp ce discul este în mișcare, altfel se poate produce un recul.** Investigați și luați măsuri adecvate pentru a îndepărta cauza blocării discului.
- d) **Nu reluați niciodată operația de tăiere cât timp scula se mai află încă în piesa de prelucrare.**

Lăsați discul de tăiere să atingă turația maximă și numai după aceea continuați să tăiați cu precauție. Dacă reporniți scula electrică în piesa de prelucrare, discul se poate bloca, sări afară sau provoca recul.

- e) **Sprijiți plăcile sau piesele de prelucrare mari pentru a diminua riscul de agățare sau de recul a discului. Piesele mari se pot încovoia sub propria greutate.** Piesele de sprijin trebuie poziționate sub piesa de prelucrare, atât în apropierea liniei de tăiere cât și în apropierea marginii, pe ambele laturi ale discului.
- f) **Fiți extrem de atenți în cazul „tăierii de cavități” în pereți deja existenți sau în alte sectoare fără vizibilitate.** La penetrarea în sectorul vizat, discul de tăiere poate cauza recul dacă nimereste în conducte de gaz sau de apă, conductori electrici sau alte obiecte.

Siguranța electrică



Verificați întotdeauna ca tensiunea de la alimentarea cu energie să corespundă tensiunii de pe plăcuța cu specificații.

- Nu utilizați mașina în cazul în care cablul de alimentare și/sau fișa acestuia sunt deteriorate.
- Folosiți numai cabluri prelungitoare adecvate pentru puterea mașinii cu o grosime minimă de 1,5 mm². Dacă utilizați o bobină de cablu de extensie, derulați întotdeauna complet cablul.
- În cazul în care cablul de alimentare este deteriorat, acesta trebuie să fie înlocuit cu un cablu de alimentare special pregătit, disponibil la unitatea de service.

2. INFORMAȚII CU PRIVIRE LA MAȘINA

Domeniul de utilizare

Polizorul unghiular a fost proiectat pentru debavurarea zidăriei și a oțelului, fără a se utiliza apă. Pentru tăiere, folosiți o apărătoare de protecție specială (neinclusă). Fig. D2.



Nu este potrivit pentru folosire pe șantier de construcții

SPECIFICAȚII TEHNICE

| Nr. model | AG506AC |
|--|--|
| Tensiune rețea | 220-240V~ |
| Frecvența prizei | 50/60Hz |
| Puterea de alimentare | 2600W |
| Turație la mers în gol | 6500 /min |
| Disc pentru șlefuit | |
| Diametru: | 230 mm |
| Alezaj: | 22,2 mm |
| Filetul axului | M14 |
| Greutate | 6,7 kg |
| Nivel presiune sonoră L _{PA} | 96,1 dB(A), K=3dB(A) |
| Nivel putere acustică L _{WA} | 107,1 dB(A), K=3dB(A) |
| Vibrație "Șlefuirea suprafeței" a _{h,AG} | 7,86 m/s ² , K=1,5 m/s ² |



Purtați protecții antifonice.

Nivelul vibrațiilor

Nivelul emisiilor de vibrații menționat în acest manual de instrucțiuni a fost măsurat în conformitate cu un test standardizat precizat în EN 60745-1 și EN 60745-2-3; poate fi folosit pentru a compara o sculă cu alta și ca evaluare preliminară a expunerii la vibrații atunci când folosiți scula pentru aplicațiile menționate:

- emisia de vibrații în timpul utilizării efective a unelei electrice poate diferi de valoarea declarată în funcție de modalitățile de utilizare;
- să se identifice măsurile de siguranță pentru a proteja operatorul, pe baza unei estimări a expunerii în condițiile reale de utilizare (luând în considerare toate părțile ciclului de operare, cum ar fi momentele în care unealta este oprită și când este inactivă în afară de timpul pentru declanșare).

Protejați-vă împotriva efectelor vibrațiilor prin întreținerea sculei și a accesoriilor sale, păstrând mâinile calde și organizând procesele de lucru.

DESCRIERE

Numerele din text se refera la diagramele de la paginile 2-4.

1. Buton de blocare ax
2. Șurub cu locaș hexagonal

3. Apărătoare de protecție
4. Capac perie de cărbune
5. Comutator pornire/oprire
6. Punct de conexiune mâner lateral
7. Mâner lateral
8. Cheie hexagonală
9. Mâner posterior
10. Ax
11. Flanșă de montare
12. Disc (neinclus)
13. Piuliță de strângere
14. Cheie de piuliță

3. ASAMBLAREA



Inainte de asamblare, opriți alimentarea electrică a mașinii și deconectați fișa cablului de alimentare de la priza de rețea.

Asamblarea apărătoarei de protecție (fig. C și D)

- Amplasați mașina pe o masă cu axul (10) în sus.
- Amplasați apărătoare de protecție (3) peste capătul mașinii, așa cum este indicat în Figura C și asigurați-vă că muchiile de la apărătoarea de protecție se potrivesc în canelurile de la capătul mașinii.
- Rotiți apărătoarea de protecție în sens antiorar după cum este indicat în Figura D
- Fixați șurubul cu locaș hexagonal (2) pe apărătoare folosind cheia hexagonală (8)
- Puteți regla poziția apărătoarei de protecție prin eliberarea șurubului cu locaș hexagonal (2), reglați apărătoarea în poziția dorită și fixați din nou șurubul.



Nu utilizați niciodată mașina fără apărătoare.

Montarea și îndepărtarea discului (Fig. D)



Nu utilizați niciodată mașina fără apărătoare.



Utilizați numai discuri ascuțite și nedeteriorate.

Montarea

1. Amplasați mașina pe o masă cu apărătoarea de protecție (3) în sus.
2. Montați flanșa (11) pe ax (10).
3. Amplasați discul (12) pe ax (10).
4. Țineți apăsat butonul de blocare a axului (1) și strângeți bine piulița de fixare (13) pe ax (10) folosind cheia de piuliță (14).

Indepărtarea

1. Amplasați mașina pe o masă cu apărătoarea de protecție (3) în sus.
2. Țineți apăsat butonul de blocare a axului (1) și slăbiți piulița de fixare (13) folosind cheia de piuliță (14).
3. Indepărtați discul (12) de pe ax (10).
4. Țineți apăsat butonul de blocare a axului (1) și strângeți bine piulița de fixare (13) folosind cheia de piuliță (14).

Montarea manerului lateral (fig. A și E)

- Manerul lateral (7) poate fi infiletat în unul din cele trei puncte de conexiune pentru manerul lateral (6).

4. OPERAREA



Asigurați-vă că piesa de prelucrare este sprijinită sau fixată corespunzător.

Pornirea și oprirea (Fig. A)

- Pentru a porni mașina apăsați comutatorul de pornire/oprire (5).
- Pentru a opri mașina, eliberați comutatorul de pornire/oprire (5).
- Țineți mașina la distanță de piesa de prelucrare atunci când o porniți și o opriți, deoarece discul ar putea deteriora piesa de prelucrare.
- Prindeți bine piesa de prelucrare sau folosiți o altă metodă pentru a vă asigura că nu se mișcă în timpul funcționării.
- Verificați cu regularitate discurile. Discurile uzate afectează negativ eficiența mașinii. Înlocuiți cu un disc nou în timp util.

Debavurarea (fig. F)



Când efectuați operația de debavurare, veți obține cele mai bune rezultate la un unghi de înclinare cuprins între 30° și 40°. Mișcați mașina înainte și înapoi, folosind o presiune ușoară. Acest lucru va preveni decolorarea și încălzirea piesei de prelucrare, evitându-se formarea de caneluri.



Pentru lucrările de debavurare, nu utilizați niciodată discuri de tăiere abrazivă!

Tăierea (fig. G)

Pentru tăiere, folosiți o apărătoare de protecție specială (neinclusă).

Țineți cu fermitate piesa de prelucrare pentru a preveni apariția vibrației și nu înclinați sau nu aplicați presiune în timpul tăierii. Când operați, folosiți presiune moderată adecvată materialului pe care lucrați. Nu încetiniți discurile aplicând contrapresiune laterală. Direcția în care doriți să tăiați este importantă. Mașina trebuie să opereze întotdeauna în direcția tăierii; așadar nu deplasați niciodată mașina în cealaltă direcție! Există riscul ca mașina să se blocheze în tăietură, cauzând recul care vă va determina să pierdeți controlul.

Sfaturi pentru utilizarea optimă

- Fixați piesa de prelucrat. Utilizați un dispozitiv de fixare pentru piese de prelucrat mici.
- Țineți mașina cu ambele mâini.
- Porniți mașina.
- Așteptați până când mașina atinge turația maximă.
- Așezați discul pe piesa de prelucrat.
- Deplasați încet mașina de-a lungul piesei de prelucrat, apăsând ferm discul abraziv pe piesa de prelucrat.
- Nu aplicați o presiune excesivă asupra mașinii. Lăsați mașina să execute operația.
- Opriți mașina și așteptați oprirea completă a mașinii înainte de a așeza mașina.

5. INTREȚINERE

Înainte de curățare și întreținere, opriți alimentarea electrică a mașinii și deconectați fișa cablului de alimentare de la priza de rețea.

Curățați regulat carcasa cu o cârpă moale, de preferat după fiecare utilizare. Curățați fantele de aerisire de praf și murdărie. Îndepărtați murdăria persistentă cu o cârpă moale înmuiată în clăbuci de săpun. Nu folosiți solvenți precum benzină, alcool, amoniac, etc. Astfel de substanțe chimice vor deteriora componentele sintetice.

MEDIU

Aparatele electrice sau electronice deteriorate și/sau defecte trebuie colectate în locurile de reciclare corespunzătoare.

Numai pentru țările din CE

Nu aruncați echipamentele acționate electric împreună cu gunoiul menajer. Conform Indicației europene 2012/19/EU pentru echipamente electrice și electronice uzate și a implementării sale la nivel național, echipamentele acționate electric scoase din uz trebuie colectate separat și evacuate într-o manieră ecologică.

GARANȚIE

Produsele VONROC sunt realizate la cele mai înalte standarde de calitate și sunt garantate în privința materialelor și a manoperei pentru întreaga perioadă de utilizare în garanție, începând cu data achiziției. În cazul în care produsul se defectează în timpul perioadei de utilizare, contactați direct VONROC.

Următoarele circumstanțe sunt excluse de la această garanție:

- Reparațiile sau modificările care realizate sau care s-au încercat a fi efectuate de centre de service neautorizate.
- Uzura în condiții normale.
- Unealta care a fost abuzată, utilizată într-un mod neglijent sau întreținută în mod inadecvat.
- Folosirea unor piese de schimb neoriginale.

Aceasta acoperă garanția companiei, explicită sau implicită. Nu există alte garanții explicite sau implicite care să se extindă dincolo de cele indicate aici, incluzând garanțiile, vandabilitatea sau adecvarea pentru un anumit scop. În nicio situație, VONROC nu este responsabil pentru daunele incidentale sau consecvențiale. Reparațiile efectuate de reprezentant trebuie să fie limitate la reparațiile sau la înlocuirea unităților sau a pieselor neconforme.

Produsul și manualul de utilizare pot suferi modificări. Specificațiile se pot modifica fără notificare prealabilă.

1. INSTRUÇÕES DE SEGURANÇA

Leia os avisos de segurança fornecidos, os avisos de segurança adicionais e as instruções. O não cumprimento dos avisos de segurança e das instruções pode resultar em choque eléctrico, incêndio e/ou ferimentos graves. Guarde os avisos de segurança e as instruções para referência futura.

Os seguintes símbolos são utilizados no manual do utilizador ou no produto:



Leia o manual do utilizador.



Indica o risco de ferimentos, morte ou danos na ferramenta se as instruções indicadas neste manual não forem seguidas.



Risco de projecção de objectos. Mantenha as pessoas presentes afastadas da área de trabalho.



Risco de choque eléctrico.



Retire de imediato a ficha da rede eléctrica se o cabo de alimentação sofrer danos e durante a limpeza e manutenção.



Use óculos de segurança.



Use protecção auricular.



Use luvas de segurança.



Não carregue no botão de bloqueio do eixo quando o motor estiver em funcionamento.



Risco de incêndio.



Máquina de classe II - Isolamento duplo - Não é necessário uma ficha com ligação à terra.



Não elimine o produto em recipientes não adequados.



O produto está em conformidade com as normas de segurança aplicáveis nas directivas europeias.

AVISOS GERAIS DE SEGURANÇA SOBRE FERRAMENTAS ELÉCTRICAS



AVISO! Leia todos os avisos de segurança e instruções. O não cumprimento dos avisos e das instruções pode resultar em choque eléctrico, incêndio e/ou ferimentos graves.

Guarde todos os avisos e instruções para referência futura.

O termo “ferramenta eléctrica” indicado nos avisos diz respeito à ferramenta eléctrica com alimentação pela rede (com fio) ou por bateria (sem fio).

1) Segurança na área de trabalho

- a) **Mantenha a área de trabalho limpa e devidamente iluminada.** As áreas obstruídas ou escuras são propícias a acidentes.
- b) **Não utilize ferramentas eléctricas em atmosferas explosivas, por exemplo, na presença de líquidos inflamáveis, gases ou poeiras.** As ferramentas eléctricas produzem faíscas que podem causar ignição de poeiras ou vapores.
- c) **Quando utilizar uma ferramenta eléctrica, mantenha as crianças e transeuntes afastados.** As distrações podem causar perda de controlo.

2) Segurança eléctrica

- a) **As fichas da ferramenta eléctrica devem corresponder à tomada. Nunca modifique, de forma alguma, a ficha. Não utilize quaisquer fichas adaptadoras com ferramentas eléctricas ligadas à terra (massa).** As fichas e tomadas correspondentes não modificadas reduzem o risco de choque eléctrico.
- b) **Evite o contacto do corpo com superfícies ligadas à terra ou massa, como tubos, radiadores, fogões ou frigoríficos.** Há um maior risco de choque eléctrico se o corpo estiver ligado à terra ou à massa.
- c) **Não exponha as ferramentas eléctricas à chuva ou a ambientes húmidos.** A entrada de água numa ferramenta eléctrica aumenta o risco de choque eléctrico.
- d) **Não utilize o cabo de maneira abusiva. Nunca utilize o cabo para transportar, puxar ou desligar a ferramenta eléctrica. Mantenha o cabo afastado de fontes de calor, óleo, extremidades afiadas ou peças móveis.** Cabos danificados ou enrolados aumentam o risco de choque eléctrico.

- e) **Quando utilizar uma ferramenta eléctrica no exterior, opte por uma extensão adequada para utilização no exterior.** A utilização de um cabo adequado para utilização no exterior reduz o risco de choque eléctrico.
- f) **Se não for possível evitar trabalhar com uma ferramenta eléctrica num local húmido, utilize uma fonte de alimentação protegida por um dispositivo de corrente residual (DCR).** A utilização de um DCR reduz o risco de choque eléctrico.
- 3) Segurança eléctrica**
- a) **Esteja atento, preste atenção ao que está a fazer e tenha senso comum quando utilizar uma ferramenta eléctrica.** Não utilize uma ferramenta eléctrica quando estiver cansado ou sob o efeito de drogas, álcool ou medicamentos. Um momento de distração durante a utilização de ferramentas eléctricas pode resultar em ferimentos graves.
- b) **Use equipamento de protecção individual. Use sempre protecção ocular.** O equipamento de protecção, como, por exemplo, máscara de poeiras, sapatos de segurança antiderrapantes, capacete de segurança ou protecção auditiva, utilizado nas condições adequadas, reduz o risco de ferimentos.
- c) **Evite accionamentos acidentais. Assegure-se de que o gatilho está desligado antes de ligar a ferramenta à corrente eléctrica e/ou as baterias e antes de levantar ou transportar a ferramenta.** O transporte de ferramentas eléctricas com o dedo colocado no interruptor ou a ligação à corrente das ferramentas eléctricas com o interruptor ligado pode dar origem a acidentes.
- d) **Retire eventuais chaves de ajuste ou chaves de fendas antes de ligar a ferramenta eléctrica.** Uma chave de fenda ou de ajuste montada numa peça rotativa da ferramenta eléctrica pode causar ferimentos.
- e) **Não tente chegar a pontos fora do alcance. Mantenha-se sempre numa posição firme e bem equilibrada.** Desta forma, será mais fácil controlar a ferramenta eléctrica em situações inesperadas.
- f) **Use vestuário adequado. Não use roupa larga ou jóias. Mantenha o cabelo, a roupa e as jóias afastados das peças móveis.** As roupas largas, as jóias ou o cabelo comprido podem ficar presos nestas peças.
- g) **Se for prevista a montagem de dispositivos de extracção e recolha de poeiras, assegure-se de que estão ligados e que são utilizados de forma correcta.** A utilização de dispositivos de extracção de poeiras pode reduzir os riscos inerentes.
- h) **Não permita que a familiaridade obtida através do uso frequente de ferramentas faça com que seja complacente e ignore os princípios de segurança da ferramenta.** Uma acção irreflectida pode causar ferimentos graves numa fracção de segundos.
- 4) Utilização e cuidados a ter com a ferramenta com baterias**
- a) **Não sobrecarregue a ferramenta eléctrica. Utilize a ferramenta eléctrica correcta para o seu trabalho.** A ferramenta eléctrica adequada efectua o trabalho de maneira mais eficiente e segura se for utilizada de acordo com a capacidade para a qual foi concebida.
- b) **Não utilize a ferramenta eléctrica se não conseguir ligar ou desligar o gatilho.** Qualquer ferramenta eléctrica que não possa ser controlada através do gatilho é perigosa e tem de ser reparada.
- c) **Retire a ficha da fonte de alimentação e/ou a bateria da ferramenta eléctrica, caso seja possível fazê-lo, antes de efectuar quaisquer ajustes, substituir acessórios ou guardar ferramentas eléctricas.** Estas medidas de segurança preventivas reduzem o risco de ligar a ferramenta eléctrica acidentalmente.
- d) **Mantenha as ferramentas eléctricas que não estiverem a ser utilizadas fora do alcance das crianças. Não permita que a ferramenta eléctrica seja utilizada por pessoas não familiarizadas com a mesma ou que não tenham lido estas instruções.** As ferramentas eléctricas são perigosas nas mãos de pessoas que não possuam as qualificações necessárias para manuseá-las.
- e) **Faça a manutenção das ferramentas eléctricas. Verifique se as peças móveis da ferramenta eléctrica estão alinhadas e não emperam, bem como se existem peças partidas ou danificadas ou quaisquer outras condições que possam afectar o funcionamento da mesma. Se a ferramenta eléctrica estiver danificada, esta só deve ser utilizada quando for reparada.** Muitos acidentes têm como principal causa ferramentas eléctricas com uma manutenção insuficiente.
- f) **Mantenha as ferramentas de corte afiadas e limpas.** As ferramentas de corte sujeitas a uma

manutenção adequada, com arestas de corte afiadas, bloqueiam com menos frequência e controlam-se com maior facilidade.

- g) **Utilize a ferramenta eléctrica, os acessórios e as peças de ferramenta, etc., de acordo com estas instruções, considerando as condições de trabalho e a tarefa a ser executada.** A utilização da ferramenta eléctrica para fins diferentes dos previstos pode resultar em situações perigosas.
 - h) **Mantenha as pegas e as superfícies de fixação secas, limpas e sem óleo e gordura.** As pegas escorregadias e as superfícies de fixação não permitem o manuseamento seguro e o controlo da ferramenta em situações imprevistas.
- 5) Assistência**
- a) **A sua ferramenta eléctrica só deve ser reparada por pessoal qualificado e só devem ser utilizadas peças sobressalentes idênticas.** Desta forma, é garantida a segurança da ferramenta eléctrica.

AVISOS DE SEGURANÇA COMUNS PARA OPERAÇÕES DE REBARBAÇÃO OU CORTE ABRASIVO

- a) **Esta ferramenta eléctrica foi concebida para funcionar como rebarbadora. Leia todos os avisos de segurança, instruções, ilustrações e especificações fornecidos com esta ferramenta eléctrica.** O não cumprimento de todas as instruções indicadas abaixo podem resultar em choque eléctrico, incêndio e/ou ferimentos graves.
- b) **Não é recomendável efectuar operações como lixagem, limpeza com escova metálica e polimento com esta ferramenta eléctrica.** Se a ferramenta eléctrica for utilizada para operações para as quais não foi concebida, isso pode dar origem a situações de perigo e causar ferimentos.
- c) **Não utilize acessórios que não tenham sido concebidos e recomendados especificamente pelo fabricante da ferramenta.** O facto de poder instalar o acessório na ferramenta eléctrica não garante um funcionamento seguro.
- d) **A velocidade nominal do acessório deve ser, pelo menos, igual à velocidade máxima assinalada na ferramenta eléctrica.** Os acessórios funcionam mais depressa do que à velocidade nominal e são projectados.
- e) **O diâmetro externo e a espessura do acessório devem estar de acordo com a capacidade da ferramenta eléctrica.** Os acessórios com tamanho incorrecto não podem ser protegidos nem controlados de maneira adequada.
- f) **A montagem roscada dos acessórios deve corresponder à rosca do eixo da rebarbadora. No que respeita aos acessórios montados em flanges, o orifício do mandril do acessório deve encaixar no diâmetro de localização da flange.** Os acessórios que não correspondam ao equipamento de montagem da ferramenta eléctrica podem ficar desequilibrados, vibrar excessivamente e podem causar perda de controlo.
- g) **Não utilize acessórios danificados. Antes de cada utilização, inspecione os acessórios, por exemplo, procure rachas e fendas nos discos abrasivos, rachas, danos ou desgaste excessivo nos discos de suporte e arames soltos ou partidos nas catrabuchas. Se deixar cair a ferramenta eléctrica ou os acessórios, verifique o respectivo estado. Após inspecionar e instalar um acessório, coloque-se a si mesmo e quaisquer outras pessoas presentes no local numa posição afastada do ângulo de trabalho do acessório rotativo e ligue a ferramenta eléctrica na respectiva velocidade máxima em vazio durante um minuto.** Os acessórios danificados irão normalmente fragmentar-se durante este período de teste.
- h) **Use equipamento de protecção individual. Dependendo da operação, use uma viseira ou óculos de protecção. Conforme necessário, use uma máscara anti-poeira, protectores auditivos, luvas e um avental de oficina que o proteja contra pequenos fragmentos abrasivos ou da peça.** A protecção ocular tem de ser capaz de proteger contra a projecção de detritos resultantes de várias operações. A máscara anti-pó ou um filtro respiratório equivalente tem de ser capaz de filtrar as partículas criadas pela utilização da ferramenta. A exposição prolongada a ruído de grande intensidade pode causar perda de audição.
- i) **Mantenha as pessoas presentes no local a uma distância segura da área de trabalho. Qualquer pessoa que entre no perímetro da área de trabalho tem de usar equipamento de protecção individual.** Pode dar-se o caso de fragmentos da peça de trabalho ou de um acessório partido

serem projectados para longe e causarem ferimentos fora da área de trabalho imediata.

- j) **Segure na ferramenta eléctrica apenas pelas superfícies da pega isoladas apenas efectuar uma operação em que o acessório de corte possa entrar em contacto com fios escondidos ou com o cabo da ferramenta.** Um acessório de corte que entre em contacto com um fio sob tensão eléctrica pode fazer com que as peças de metal expostas da ferramenta conduzam electricidade e electrocutem o utilizador.
- k) **Afaste o cabo de alimentação do acessório rotativo.** Se perder o controlo da ferramenta, o cabo pode ser cortado ou ficar preso no acessório, puxando a sua mão ou o seu braço na direcção da lâmina em rotação.
- l) **Nunca pouse a ferramenta eléctrica antes do acessório ficar completamente imobilizado.** O acessório rotativo pode ficar preso na superfície onde pousou a ferramenta eléctrica e puxá-la para longe das suas mãos, fazendo-o perder o controlo da mesma.
- m) **Não ligue a ferramenta eléctrica enquanto estiver a transportá-la.** O contacto acidental do acessório rotativo com a sua roupa pode prendê-la no mesmo, puxando o acessório na direcção do seu corpo.
- n) **Limpe regularmente as aberturas de ventilação da ferramenta eléctrica.** A ventoinha do motor irá puxar as partículas no interior da caixa da ferramenta e a acumulação excessiva de metal em pó poderá causar riscos eléctricos.
- o) **Não utilize a ferramenta eléctrica perto de materiais inflamáveis.** Estes materiais podem ser inflamados por faíscas da ferramenta.
- p) **Não utilize acessórios que necessitem de líquidos de refrigeração.** A utilização de água ou outros líquidos de refrigeração poderá resultar em electrocussão ou choque eléctrico.

Recuo e avisos relacionados

O efeito de recuo é uma reacção súbita resultante do aperto ou bloqueio de um disco rotativo, de um disco de suporte, de uma catrabucha ou de qualquer outro acessório. O aperto ou bloqueio causa uma paragem rápida do acessório rotativo, o que, por sua vez, faz com que a ferramenta eléctrica seja impelida na direcção oposta à rotação do acessório no ponto de bloqueio. Por exemplo, se um disco abrasivo ficar preso ou for apertado pela peça de trabalho, a extremidade do disco que

estiver em contacto com o ponto de aperto pode penetrar a superfície do material, fazendo o disco subir ou saltar da peça. O disco poderá então saltar na direcção do utilizador ou para longe do mesmo, dependendo da direcção do movimento do disco no ponto de aperto. Os discos abrasivos podem também partir-se nestas condições. O efeito de recuo é o resultado de uma utilização abusiva da ferramenta eléctrica e/ou de condições ou procedimentos de utilização incorrectos e pode ser evitado tomando as precauções indicadas abaixo.

- a) **Segure na ferramenta eléctrica com firmeza e posicione o seu corpo e o seu braço de maneira a poder resistir ao efeito de recuo. Utilize sempre o punho auxiliar, caso este seja fornecido, para controlar ao máximo o efeito de recuo ou a reacção do binário durante o arranque da ferramenta.** O operador pode controlar facilmente a reacção do binário ou o efeito de recuo se forem tomadas as devidas precauções.
- b) **Nunca coloque a sua mão perto do acessório rotativo.** O efeito de recuo poderá fazer o acessório saltar para cima da sua mão.
- c) **Não posicione o seu corpo na área para a qual a ferramenta eléctrica pode saltar caso ocorra o efeito de recuo.** O efeito de recuo projecta a ferramenta na direcção oposta ao do movimento do disco no ponto de bloqueio.
- d) **Tenha especial cuidado ao utilizar a ferramenta em cantos, extremidades aguçadas, etc. Evite que o acessório salte ou fique preso na peça de trabalho.** Os cantos, as extremidades aguçadas ou o facto de o acessório rotativo saltar tendem a fazê-lo ficar preso na peça de trabalho e, conseqüentemente, a causar a perda do controlo da ferramenta ou a ocorrência do efeito de recuo.
- e) **Não instale na ferramenta uma lâmina de corrente de serra para esculpir madeira ou uma lâmina de serra dentada.** Estas lâminas originam frequentemente o efeito de recuo e a perda do controlo da ferramenta.

AVISOS DE SEGURANÇA ESPECÍFICOS PARA OPERAÇÕES DE REBARBAÇÃO E CORTE ABRASIVO

- a) **Utilize apenas os tipos de disco recomendados para a sua ferramenta eléctrica e a protecção específica concebida para o disco seleccionado.** Os discos para os quais a ferramenta

- eléctrica não foi concebida não podem ser protegidos de maneira adequada e, por conseguinte, não são seguros.
- b) **A superfície de rebarbação das rodas côncavas deve ser montada abaixo da extremidade da protecção.** Não é possível proteger um disco montado incorrectamente através do plano da extremidade da protecção.
- c) **A protecção deve ser fixada com segurança na ferramenta eléctrica e posicionada de forma a proporcionar a máxima segurança possível, de modo a que apenas uma superfície mínima da lâmina esteja virada na direcção do operador.** A protecção ajuda a proteger o operador contra fragmentos do disco e qualquer contacto accidental com o mesmo e as faíscas que podem incendiar a roupa.
- d) **Os discos devem ser utilizados exclusivamente para as operações recomendadas. Por exemplo, não rebarbe materiais com a parte lateral de um disco de corte.** Os discos de corte abrasivo destinam-se a efectuar rebarbação periférica, quaisquer forças laterais sobre estes discos podem estilhaçá-las.
- e) **Utilize sempre flanges de disco não danificadas com um tamanho e uma forma adequados para o disco seleccionado.** As flanges de disco adequadas suportam correctamente o disco, reduzindo assim a possibilidade de quebra do disco. As flanges para discos de corte poderão ser diferentes das flanges para discos de rebarbação.
- f) **Não utilize discos gastos de ferramentas eléctricas maiores.** Os discos concebidos para ferramentas eléctricas maiores não são adequados para a velocidade mais alta de uma ferramenta mais pequena e poderão fragmentar-se.
- b) **Não posicione o seu corpo directamente atrás do disco rotativo.** Quando o disco, no ponto da operação, estiver a afastar-se do seu corpo, o possível efeito de recuo pode impelir o disco rotativo e a ferramenta eléctrica directamente contra si.
- c) **Se o disco bloquear ou se interromper um corte por qualquer motivo, desligue a ferramenta eléctrica e segure-a sem se mexer até que o disco fique completamente imobilizado. Nunca retire o disco de corte do corte enquanto o disco estiver em movimento. Caso contrário, pode ocorrer o efeito de recuo.** Investigue e tome acções correctivas para eliminar a causa do bloqueio do disco.
- d) **Não recomece a operação de corte na peça de trabalho. Deixe o disco alcançar a velocidade máxima e continue o corte de forma cuidadosa.** O disco pode ficar dobrado ou saltar da peça de trabalho ou emperrar se a ferramenta eléctrica for ligada em contacto com a peça.
- e) **Coloque quaisquer painéis ou qualquer peça de trabalho sobredimensionada para minimizar o risco de aperto do disco e ocorrência do efeito de recuo. As peças de trabalho de grandes dimensões tendem a vergar sobre o seu próprio peso.** Devem ser colocados apoios debaixo da peça de trabalho perto da linha de corte e da extremidade da peça a trabalho em ambos os lados do disco.
- f) **Tenha especial cuidado ao efectuar um corte directo em paredes ou noutras áreas em que não seja possível visualizar quaisquer itens ocultos dentro das mesmas.** O disco saliente pode cortar a canalização de gás ou água, a cablagem eléctrica ou outros objectos que podem causar o efeito de recuo.

AVISOS ADICIONAIS DE SEGURANÇA ESPECÍFICOS PARA OPERAÇÕES DE CORTE ABRASIVO



As operações de corte são adequadas apenas com um resguardo de protecção especial (não incluído) Fig. C2 - D2.

- a) **Não utilize o disco de corte de forma forçada nem aplique uma pressão excessiva no mesmo. Não efectue cortes excessivamente profundos.** Utilizar o disco de forma forçada aumenta a respectiva carga de trabalho e a susceptibilidade à torção ou ao bloqueio do mesmo no corte, bem como a possibilidade de ocorrer o efeito de recuo ou a fragmentação do disco.

Segurança eléctrica



Verifique sempre se a tensão da fonte de alimentação corresponde à tensão na placa sinalética.

- Não utilize a máquina se o cabo de alimentação ou a ficha estiver danificada.
- Utilize apenas extensões que sejam adequadas para a potência nominal da máquina com uma espessura mínima de 1,5 mm². Se utilizar um enrolador de extensão, desenrole sempre o cabo por completo.

- Se o cabo de alimentação desta ferramenta eléctrica estiver danificado, deve ser substituído por um cabo de alimentação especialmente preparado, disponível através do serviço de assistência.

2. INFORMAÇÕES SOBRE A MÁQUINA

Utilização pretendida

A rebarbadora angular foi concebida para a rebarbação de alvenaria e aço sem recorrer à utilização de água. Para efectuar trabalhos de corte, deve utilizar um resguardo de protecção especial (não incluída). Fig. D2.



Não é adequado para utilização em estaleiros.

ESPECIFICAÇÕES TÉCNICAS

| | |
|---|--|
| Modelo n.º | AG506AC |
| Tensão do sector | 220 - 240 V ~ |
| Frequência da rede | 50/60 Hz |
| Alimentação | 2600 W |
| Velocidade sem carga | 6500/min |
| Disco de desbaste | |
| Diâmetro: | 230 mm |
| Furo: | 22,2 mm |
| Eixo com rosca | M14 |
| Peso | 6,7 kg |
| Nível de pressão sonora L_{PA} | 96,1 dB(A), K = 3 dB(A) |
| Nível de potência sonora L_{WA} | 107,1 dB(A), K = 3 dB(A) |
| Vibração na "superfície de desbaste" $a_{h,AG}$ | 7,86 m/s ² , K = 1,5 m/s ² |



Use protecção auricular.

Nível de vibração

O nível de vibração indicado neste manual de instruções foi medido de acordo com um teste padronizado indicado nas normas EN 60745-1 e EN 60745-2-3; pode ser utilizado para comparar duas ferramentas e como avaliação preliminar da exposição à vibração quando utilizar a ferramenta para as aplicações mencionadas.

- o nível de emissão de vibrações durante a utilização efectiva da ferramenta eléctrica pode ser

diferente do valor total declarado, dependendo da maneira como a ferramenta for utilizada;

- é necessário para identificar medidas de segurança para proteger o utilizador que se baseiam num nível estimado da exposição nas condições efectivas de utilização (tendo em consideração todos os passos do ciclo de funcionamento, como os períodos em que a ferramenta é desligada e quando está a funcionar ao ralenti, além do tempo de accionamento).

Proteja-se contra os efeitos da vibração, através de uma manutenção da ferramenta e dos respectivos acessórios, mantendo as mãos quentes e organizando os seus padrões de trabalho.

DESCRIÇÃO

Os números indicados no texto dizem respeito aos diagramas nas páginas 2 e 4.

- Botão de bloqueio do veio
- Parafuso Allen
- Resguardo de protecção
- Tampa da escova de carbono
- Interruptor para ligar/desligar
- Ponto de ligação do punho lateral
- Punho lateral
- Chave Allen
- Punho traseiro
- Eixo
- Flange de montagem
- Disco de roda (não incluído)
- Porca de fixação
- Chave de porcas

3. MONTAGEM



Antes de efectuar a montagem, desligue sempre a máquina e retire a ficha da tomada de corrente.

Montagem do resguardo de protecção (Fig. C e D)

- Coloque a máquina numa mesa com o eixo (10) virado para cima.
- Coloque o resguardo de protecção (3) sobre a parte superior da máquina, como indicado na Figura C, de modo a que as arestas no resguardo de protecção encaixam nas ranhuras da parte superior da máquina.
- Rode o resguardo de protecção para a esquerda, como indicado na Figura D.

4. Fixe o parafuso Allen (2) na protecção (3) com a chave Allen (8).
5. Pode ajustar a posição do resguardo, libertando o parafuso Allen (2), ajuste o resguardo de protecção para a posição pretendida e aperte o parafuso Allen novamente.



Nunca tente retirar a protecção.

Montar e remover o disco de roda (Fig. B)



Não utilize a máquina sem a protecção.



Utilize apenas discos de roda afiados e não danificados.

Montagem

1. Coloque a máquina numa mesa com o resguardo de protecção (3) virado para cima.
2. Monte a flange (11) no eixo (10).
3. Coloque o disco de roda (12) no eixo (10).
4. Mantenha o botão de bloqueio do eixo (1) premido e aperte a porca de fixação (13) com firmeza no eixo (10) utilizando a chave de porcas (14).

Remoção

1. Coloque a máquina numa mesa com o resguardo de protecção (3) virado para cima.
2. Mantenha o botão de bloqueio do eixo (1) premido e solte a porca de fixação (13) utilizando a chave de porcas (14).
3. Remova o disco de roda (12) do eixo (10).
4. Mantenha a patilha de bloqueio do eixo (1) premido e aperte a porca de fixação (13) com firmeza utilizando a chave de porcas (14).

Montar a pega lateral (Fig. A e E)

- A pega lateral (7) pode ser apertada num dos três pontos de ligação da pega lateral (6).

4. FUNCIONAMENTO



Verifique se a peça de trabalho está bem apoiada ou fixada.

Ligar e desligar (Fig. A)

- Para ligar a máquina, carregue no interruptor para a frente e carregue no interruptor para ligar/desligar (5).

- Para desligar a máquina, liberte o interruptor para ligar/desligar (5).
- Mantenha a máquina afastada da peça de trabalho quando ligá-la e desligá-la porque o disco de roda pode danificar a peça de trabalho.
- Fixe a peça de trabalho com firmeza ou utilize outro método para assegurar que não se desloca enquanto trabalha.
- Verifique os discos com regularidade. Os discos de roda gastos têm um efeito negativo na eficiência da máquina. Coloque um novo disco de roda quando for necessário.

Rebarbação (Fig. F)



Um ângulo de inclinação de 30° a 40° permite obter os melhores resultados durante a rebarbação. Desloque a máquina para a frente e para trás utilizando uma pressão ligeira. Isto impede que a peça de trabalho fique descolorada ou demasiado quente e evita a criação de ranhuras.



Nunca utilize discos abrasivos para trabalhos de rebarbação!

Corte (Fig. G)



Para efectuar trabalhos de corte, deve utilizar um resguardo de protecção especial (não incluída).

Mantenha um contacto firme com a peça de trabalho para evitar vibrações e não incline nem aplique pressão e quando efectuar cortes. Utilize pressão moderada quando trabalhar e que seja adequada para o material que está a trabalhar. Não aplique contra-pressão nos discos de roda para a esquerda para diminuir a velocidade. A direcção para a qual pretende fazer o corte é importante. A máquina deve sempre funcionar na direcção oposta do corte; por isso nunca mova a máquina na direcção contrária! Há o risco da máquina ficar presa no corte, causando recuo e perda de controlo.

Sugestões para uma excelente utilização

- Fixe a peça de trabalho. Utilize um dispositivo de fixação para peças de trabalho pequenas.
- Segure a máquina com ambas as mãos.
- Ligue a máquina.
- Aguarde até a máquina atingir a velocidade máxima.
- Coloque o disco na peça de trabalho.

- Mova a máquina lentamente ao longo da peça de trabalho, premindo o disco de roda com firmeza contra a peça de trabalho.
- Não aplique demasiada pressão na máquina. Deixe a máquina fazer o trabalho.
- Desligue a máquina e aguarde até parar por completo antes de colocar a máquina no chão.

5. MANUTENÇÃO



Antes de efectuar a limpeza e a manutenção, desligue sempre a máquina e retire a ficha de alimentação da tomada de corrente.

Limpe a caixa da máquina com regularidade com um pano macio, de preferência após cada utilização. Certifique-se de que as aberturas de ventilação não têm pó ou sujidade.

Retire a sujidade muito persistente com um pano macio humedecido com água de sabão. Não utilize solventes, como gasolina, álcool, amoníaco, etc. Este tipo de produtos químicos danificam os componentes sintéticos.

AMBIENTE



Os equipamentos eléctricos ou electrónicos defeituosos e/ou eliminados devem ser recolhidos em locais de reciclagem adequados.

Apenas para os países da CE

Não elimine as ferramentas eléctricas em conjunto com os resíduos domésticos. De acordo com a directiva europeia 2012/19/UE sobre resíduos de equipamentos eléctricos e electrónicos e a respectiva implementação na legislação nacional, as ferramentas eléctricas que já não sejam utilizadas devem ser recolhidas em separado e eliminadas de maneira ecológica.

GARANTIA

Os produtos da VONROC são desenvolvidos de acordo com os padrões de qualidade mais elevados e não apresentam quaisquer defeitos em termos de materiais e mão-de-obra em relação ao período estipulado por lei, cujo início é a partir da data de compra original. Se o produto apresentar qualquer falha durante este período devido a qualquer defeito no material e/ou de mão-de-obra, contacte a VONROC directamente.

As seguintes circunstâncias estão excluídas desta garantia:

- Se forem efectuadas ou tentadas quaisquer reparações e/ou alterações na máquina por centros de assistência não autorizados;
- Desgaste normal;
- Se a ferramenta foi utilizada de maneira abusiva, indevida ou a manutenção for efectuada de maneira incorrecta;
- Se forem utilizadas peças sobresselentes não originais.

Isto constitui a única garantia feita pela empresa, de maneira expressa ou implícita. Não existem quaisquer outras garantias expressas ou implícitas que se prolonguem, incluindo as garantias implícitas de comercialização e adequação para fins específicos. A VONROC não será, em nenhuma circunstância, responsável por danos incidentais ou indirectos. Os fornecedores devem estar limitados a reparar ou substituir as unidades ou peças que não estejam em conformidade.

O equipamento e o manual do utilizador estão sujeitos a alterações sem aviso prévio. As especificações podem ser alteradas sem aviso prévio.

1. BIZTONSÁGI UTASÍTÁSOK

Olvassa el az összes mellékelt biztonsági figyelmeztetést. A figyelmeztetések és utasítások be nem tartása áramütéshez, tűz keletkezéséhez vagy akár súlyos személyi sérüléshez vezethet. Őrizze meg a biztonsági figyelmeztetéseket és utasításokat későbbre is.

A használati útmutatóban és a terméken a következő jelölésekkel találkozhat:



Olvassa el a használati útmutatót.



Jelzi a személyi sérülések, az életveszély vagy a szerszám károsodásának veszélyét a használati útmutató utasításainak be nem tartása esetén.



Repülő tárgyak veszélye. Ne engedje a munkaterületre a közelben tartózkodókat.



Áramütés veszélye.



Azonnal húzza ki a hálózati csatlakozódugót, ha a kábel megsérült, amikor takarít és, ha karbantartást végez.



Viseljen biztonsági szemüveget.



Vegyén fel hallásvédelmet.



Viseljen védőkesztyűt.



Amikor jár a motor, ne nyomja meg a tengelyrögző gombot.



Tűzveszély.



II. érintésvédelmi osztályú gép – kettős szigetelés: földvezeték nélküli csatlakozó aljzatról is használható.



A terméket hulladékként ne tegye arra nem alkalmas konténerbe.



A termék megfelel az európai irányelvek rá vonatkozó biztonsági követelményeinek.

AZ ELEKTROMOS GÉPEKRE VONATKOZÓ ÁLTALÁNOS BIZTONSÁGI FIGYELMEZTETÉSEK



FIGYELMEZTETÉSI! *Olvasson el minden biztonsági figyelmeztetést és utasítást.*

A figyelmeztetések és utasítások be nem tartása áramütést, tüzet és/vagy súlyos sérülést okozhat.

Az összes figyelmeztetést és utasítást őrizze meg, mert később még szüksége lehet rájuk.

A figyelmeztetésekben szereplő „elektromos szerszám” kifejezés az Ön hálózatról működő (vezetékes) elektromos szerszámára vagy akkumulátorral működő (vezeték nélküli) elektromos szerszámra utal.

1) A munkaterület biztonsága

- Gondoskodjon a munkaterület tisztaságáról és megfelelő megvilágításáról.** A rendezetlen és sötét területeken valószínűbb a balesetek előfordulása.
- Ne használja az elektromos szerszámokat robbanásveszélyes légtérben, például ahol gyúlékony folyadékok, gázok vagy por vannak jelen.** Az elektromos szerszámok használata során keletkező szikra lángra lobbantathja a port és füstöt.
- Az elektromos szerszám használata során a gyermekeket és a közelben tartózkodó személyeket tartsa távol a munkaterülettől.** Ha valami eltereli a figyelmét, elveszítheti az irányítást.

2) Elektromos biztonság

- Az elektromos szerszám dugóinak megfelelőnek kell lenniük az aljzathoz. Soha ne próbálja semmilyen módon módosítani a dugót. Földelt elektromos szerszámhoz ne használjon semmilyen adapterdugót.** Az eredeti (értsd: módosítás nélküli) dugók és megfelelő hálózati aljzatok használatával méréselhető az elektromos áramütés veszélye.
- Ügyeljen arra, hogy teste ne érintkezzen földelt felületekkel, például csővezetékkel, radiátorral, tűzhellyel vagy hűtőszekrényel.** Ha teste földelődik, megnő az áramütés kockázata.
- Óvja az elektromos szerszámokat az esőtől és nedves környezettől.** Az elektromos szerszámokban kerülő víz növeli az elektromos áramütés veszélyét.
- Ne használja helytelenül (nem előírászerűen) a kábelt. A kábelt soha ne használja az elektromos szerszám hordozására, húzására vagy az aljzat-**

- ból történő kihúzására. A kábelt tartsa távol hőforrásoktól, olajtól, hegyes élektől és mozgó alkatrészekről. A sérült vagy megtekeredett kábelek növelik az elektromos áramütés veszélyét.
- e) **Az elektromos szerszám kültéri használata esetén kültéri használatra alkalmas hosszabító kábelt használjon.** A kültéri használatra alkalmas kábel használatával mérsékelhető az elektromos áramütés veszélye.
- f) **Ha az elektromos szerszámot mindenképpen nedves környezetben kell használni, akkor használjon áramvédő kapcsolóval (RCD) ellátott tápforrást.** Az áramvédő kapcsolóval ellátott tápforrás használatával mérsékelhető az elektromos áramütés veszélye.
- 3) Személyi biztonság**
- a) **Az elektromos szerszám használata során maradjon éber, koncentráljon az éppen végzett műveletre és használja a józan ítélőképességét. Ha fáradt, vagy ha kábítószert, alkoholt vagy gyógyszer hatása alatt áll, ne használjon elektromos szerszámot.** Az elektromos szerszámok használata közben egyetlen pillanatnyi figyelmetlenség is súlyos személyi sérülést okozhat.
- b) **Használjon egyéni védőfelszerelést. Mindig viseljen szemvédő felszerelést.** A megfelelő körülményekhez való védőeszközökkel (például pormaszkkal, csúszásgátló biztonsági cipővel, munkavédelmi sisakkal vagy hallásvédő eszközzel) csökkenthető a személyi sérülések kockázata.
- c) **Gondoskodjon a gép véletlen elindulásának a megelőzéséről. A szerszám tápforráshoz és/vagy akkumulátorcsomaghoz történő csatlakoztatása, kézbevétele vagy hordozása előtt győződjön meg róla, hogy a kapcsoló OFF (kikapcs.) állásban van.** Ha úgy hordozza az elektromos szerszámot, hogy az ujjja a kapcsolón van, vagy úgy helyezi feszültség alá, hogy a kapcsolója ON (bekapcs.) helyzetben van, ez növeli a balesetek kockázatát.
- d) **Az elektromos szerszám bekapcsolása előtt távolítsa el a csavarkulcsokat vagy beállító kulcsokat.** Az elektromos szerszám forgó alkatrészein felejtett csavarkulcs vagy beállító kulcs személyi sérülést okozhat.
- e) **Ne próbáljon túlnyújtóztatni vagy kitekeredett testhelyzetben dolgozni. Mindig két lábbal, egyensúlyát megtartva álljon a talajon.** Így könnyebben tudja irányítani az elektromos szerszámot a váratlan helyzetekben.
- f) **Viseljen megfelelő öltözetet. Ne viseljen laza ruhát vagy ékszert. Haját, ruháját és kesztyűjét tartsa távol a mozgó alkatrészekről.** A mozgó alkatrészek behúzzhatják a ruhákat, az ékszereket és a hosszú haját.
- g) **Ha a szerszámhoz porelszívó és porgyűjtő eszközt is lehet csatlakoztatni, akkor gondoskodjon ezek csatlakoztatásáról és megfelelő használatáról.** A porgyűjtő rendszerek használatával csökkenthetők a porral kapcsolatos veszélyek.
- h) **Ne engedje, hogy a szerszámok gyakori használata során szerzett tapasztalatai túlzott biztonságérzetet keltsenek Önben, és amiatt elhanyagolja a biztonsági alapelveket.** Gondatlan cselekvés már a másodperc töredéke alatt is súlyos sérülést okozhat.
- 4) Az elektromos szerszám használata és ápolása**
- a) **Az elektromos szerszámot tilos túlzott erőfeszítéssel használni. Az alkalmazási célnak megfelelő elektromos szerszámot használjon.** A megfelelő elektromos szerszám jobban, biztonságosabban végzi a munkát azon a fordulatszámon, amire azt tervezték.
- b) **Ne használja az elektromos szerszámot, ha az nem kapcsolható be/ki a főkapcsolóval.** Bár-mely elektromos szerszám veszélyes lehet, amit a kapcsolóval nem lehet irányítani, ezért az ilyen elektromos szerszámot meg kell javíttatni.
- c) **Vállassza le a dugót a tápforrásról és/vagy az akkumulátorcsomagot az elektromos szerszámról, mielőtt bármilyen módosítást végez, tartozékot cserél vagy eltávolítja az elektromos szerszámot.** Ezekkel a megelőző biztonsági intézkedésekkel csökkenthető az elektromos szerszám véletlen elindulásának a kockázata.
- d) **A használaton kívüli elektromos szerszámot olyan helyen tárolja, ahol gyermekek nem férhetnek hozzá; ne engedje, hogy olyan személyek használják, akik az elektromos szerszámot és ezeket az utasításokat nem ismerik.** Az elektromos szerszám rendkívül veszélyes lehet szakképzetlen felhasználók kezében.
- e) **Tartsa karban az elektromos szerszámokat. Ellenőrizze, hogy a mozgó alkatrészek nem állítódta-e el vagy nem szorulnak-e, nincsenek-e a szerszámon törött alkatrészek, és nem állnak-e fenn olyan körülmények, amelyek befolyásolhatják a szerszám működését. Ha az elektromos szerszám sérült, használat előtt javíttassa meg.** A hanyagul karbantartott elektromos szerszámok sok balesetet okoznak.

- f) **Tartsa élesen és tisztán a vágószerszámokat.** A megfelelően karbantartott, éles vágószerszámok beszorulásának kisebb a valószínűsége, ráadásul könnyebben irányíthatók.
- g) **Az elektromos szerszámot, tartozékokat és szerszámszárakat stb. a használati útmutatónak megfelelően használja, a munkakörülmények és az elvégzendő feladat figyelembevételével.** Ha az elektromos gépet a rendeltetési céljától eltérően használják, az veszélyhelyzetet teremthet.
- h) **Tartsa a fogantyúkat és egyéb markolási felületeket szárazon, tisztán, olajtól és zsírtól mentesen.** Váratlan helyzetekben a csúszós fogantyúk és egyéb markolási felületek akadályozzák a szerszám biztonságos kezelését és irányítását.
- 5) **Szerviz**
- a) **Az elektromos szerszámot képzett javító szakemberrel javíttassa, csakis az eredetivel azonos pótalkatrészeket használjon fel.** Ez szavatolja, hogy az elektromos szerszám továbbra is biztonságos maradjon.

KÖSZÖRÜLÉSI VAGY DARABOLÓ KÖSZÖRÜLÉSI MŰVELETEKRE VONATKOZÓ, ÁLTALÁNOS BIZTONSÁGI FIGYELMEZTETÉSEK

- a) **Ez az elektromos gép rendeltetése szerint közszőrülésre szolgál.** Olvassa át az elektromos szerszámhoz mellékelt összes biztonságtechnikai tudnivalót, szemléltető ábrát és műszaki adatot. Az alábbiakban felsorolt utasítások figyelmen kívül hagyása áramütést, tüzet és/vagy súlyos sérülést okozhat.
- b) **Ez az elektromos szerszám nem ajánlott csiszolásra, drótkéfézésre, polírozásra.** A gépnek a rendeltetésétől eltérő célra történő használata veszélyhelyzetet teremthet, akár személyi sérülést is okozhat.
- c) **Csak kifejezetten a termékhez készült vagy a gyártó által ajánlott tartozékokat használjon.** Attól, hogy valamely tartozék felhelyezhető az elektromos szerszámmra, még nem jelenti, hogy biztonságos is a használata.
- d) **A tartozék névleges fordulatszáma legalább akkora legyen, mint az elektromos szerszámon megadott legnagyobb fordulatszám.** A névleges fordulatszámuknál nagyobb sebességgel meghajtott tartozékok könnyen eltörnek, darabjaik szétrepülnek.
- e) **Csak olyan tartozékokat szabad használni, amelynek külső átmérője és vastagsága az elektromos szerszám terhelhetőségi értékein belül van.** A nem megfelelően méretezett tartozékokat nem lehet kellőképpen felügyelni és irányítani.
- f) **A menetes rögzítésű tartozékoknak méretben illeszkednie kell a csiszoló tengelymenetre. Karimás rögzítésű tartozékok esetében a tartozék furatának illeszkednie kell a rögzített karima átmérőjéhez.** Az elektromos szerszám rögzítőszerelékéhez nem illő tartozékok ki-egyensúlyozatlanul fognak működni és túlzottan fognak vibrálni, ezzel akár a szerszám feletti irányítás elvesztését is eredményezhetik.
- g) **Sérült tartozékokat ne használjon. Használat előtt mindig vizsgálja meg a tartozékokat, például hogy a köszőrűkorongon nincs-e hasadás vagy repedés, az alapolátétén nincs-e nyoma repedésnek, törésnek vagy erős kopásnak, vagy hogy a drótkéfe drótszállai nincsenek-e kilazulva vagy eltörve. Ha a gép vagy valamelyik tartozéka leesett, ellenőrizze, hogy nem sérült-e meg, vagy szereljen fel másik, ép tartozékokat. A tartozék vizsgálatát és felszerelését követően győződjön meg hogy sem Ön, sem más nincs a forgó tartozék síkjában és járassa a gépet egy percen keresztül a legnagyobb üresjárat sebességen.** Ha a tartozék sérült, ennyi idő alatt rendszerint széttörök.
- h) **Viseljen személyi védőfelszerelést. Az adott munkától függően arcvédő pajzsot, biztonsági szemüveget vagy védőszemüveget használjon. Szükség esetén porvédő álarcot, hallásvédő eszközt, kesztyűt, valamint a kisebb csiszolóanyag-darabkák és munkadarab-forgácsok kivédésére alkalmas védőkötényt is viseljen.** A szemvédő eszköznek képesnek kell lennie megvédeni a szemet a különböző műveleteknél keletkező repülő törmeléktől. A pormaszknak vagy légzőkészüléknek ki kell szűrnie a munka közben keletkező részecskéket. Az erős zaj hosszabb idő alatt halláskárosodást okozhat.
- i) **Gondoskodjon arról, hogy a munkavégzésben nem érintett személyek biztonságos távolságban maradjanak a munkaterülettől. A munkaterületen mindenkinek személyi védőfelszerelést kell hordania.** A munkadarabról vagy az esetlegesen törött tartozékról kirepülő forgács a közvetlen munkaterületen túl is sérülést okozhat.

- j) **Az elektromos szerszámot mindig csak a szigetelő markolatnál fogja, ha fennáll az esély, hogy a vágótárcsa rejtett vezetékbe vagy a szerszám saját vezetékébe ütközhet.** Ha a vágószerszám feszültség alatt levő vezetékhez ér, a szerszám fém részei feszültség alá kerülnek, és a kezelőt áramütés érheti.
- k) **A kábel mindig legyen távol a forgó tartozéktól.** Ha ugyanis elveszíti uralmát a gép felett, akkor előfordulhat, hogy a forgó tartozék elvágja vagy behúzza a kábelt, amely aztán a kezét vagy karját is a forgó tartozékhoz rántja.
- l) **Tilos az elektromos szerszámot letenni, amíg a tartozék forgása teljesen le nem állt.** Megtörténhet, hogy a forgó tartozék belemarad a felületbe, és kirántja az elektromos szerszámot a kezéből.
- m) **Ne járassa a gépet, miközben az oldalánál lógatva egyik helyről a másikra viszi.** A forgó tartozék a ruhát véletlenül elkapva a testébe ütközhet.
- n) **Rendszeresen tisztítsa meg az elektromos szerszámon a szellőzőnyílásokat.** A motor ventilátor ugyanis beszívja a port a házba, a sok összegyűlt fémpor pedig villamosság szempontjából veszélyes helyzetet teremthet.
- o) **Ne használja az elektromos szerszámot tűzveszélyes anyagok közelében.** A szikrák tüzet okozhatnak.
- p) **Hűtőfolyadékot igénylő tartozékokat ne használjon.** A víz vagy más hűtőfolyadék használata áramütést okozhat.

Visszarúgás és hozzá kapcsolódó figyelmeztetések

A visszarúgás a gép hirtelen reakciója a forgó csiszolókorong, alapalátét, kefe vagy egyéb tartozék megszorulására. A megszorulás hatására a forgó tartozék hirtelen elakad, a kezelő uralma alól kiszabadult gép pedig a tartozéknak a befeszülési ponton fennálló forgásirányával ellentétes irányba lökődik. Amikor például a köszörűkorong elakad vagy megszorul a munkadarabban, megtörténhet, hogy a korongnak a megszorulási ponton belépő pereme beleváj a munkadarab felületébe, amitől a korong kicsúszik vagy visszarúg. A tárcsa a kezelő irányába vagy ellentétes irányba is lökődhet, attól függően, hogy éppen milyen irányban mozog a korong az elakadási ponton. A csiszolótárcsa ilyen helyzetben könnyen el is törhet. A visszarúgás minden esetben a villamos kéziszerszám rossz használatának, a nem megfelelő munkamódszernek vagy

körülménynek a következménye, az alább felsorolt megfelelő óvintézkedésekkel elkerülhető.

- a) **Markolja meg erősen az elektromos szerszámot, és tartsa úgy a karját, illetve úgy álljon az elektromos szerszám mellett, hogy ellen tudjon állni a visszarúgás erejének. Ha van, mindig használja a segédfogantyút, segít legyőzni a visszarúgás erejét és a beindításkor keletkező torziós nyomatékokot.** A kezelő a torziós nyomatékokot, a visszarúgás erejét megfelelő óvintézkedésekkel képes kontrollálni.
- b) **Ne tegye kezét a forgó tartozék közelébe.** A tartozék visszarúghat a kéz felé.
- c) **Soha ne álljon arra a helyre, amely felé visszarúgás esetén a gép mozogná.** Visszarúgáskor a szerszám mindig az ellenkező irányba lendül, mint amilyen irányú a korong mozgása az elakadási ponton.
- d) **Legyen különösen óvatos a sarkoknál, éles peremeknél stb. Akadályozza meg, hogy a tartozék ide-oda ugráljon vagy befeszüljön.** A sarkok, éles peremek vagy a gép ugrálása miatt a forgó tartozék könnyen megszorul, amitől a gépkezelő elveszítheti uralmát a gép felett vagy a gép visszarúghat.
- e) **Tilos a gépre fűrészláncos fafaragó kést vagy fogazott fűrészlapot erősíteni.** Ilyen szerszámok gyakran váltanak ki visszarúgást vagy a gép feletti uralom elvesztését.

KÖSZÖRÜLÉSI ÉS DARABOLÓ KÖSZÖRÜLÉSI MŰVELETEKRE VONATKOZÓ, SPECIÁLIS BIZTONSÁGI FIGYELMEZTETÉSEK

- a) **Mindig az elektromos szerszámához ajánlott korongfajtákat és kifejezetten a kiválasztott korongfajtához előírt védőburkolatot használja.** Az elektromos szerszám rendelgetésének nem megfelelő korongokkal szemben nem lehet kellő védelmet nyújtani, ezért az ilyen korongok használata nem biztonságos.
- b) **A közepén süllyesztett korongok csiszolófelületét a védőburkolat élének síkja alá kell szerelni.** A nem jól felszerelt, a védőburkolat él síkján túlnyúló korong nem kaphat kellő védelmet.
- c) **A védőburkolatot szilárdan kell felerősíteni az elektromos szerszámra, és szerelési helyzetét úgy kell beállítani, hogy a lehető legnagyobb védelmet nyújtsa, vagyis a korong lehető legkisebb része maradjon fedetlen.** A védőburkolat védi a gépkezelőt a törött korong szétrepüléstől

darabkától és attól, hogy véletlenül hozzáérjen a koronghoz, valamint a ruha meggyulladását okozó szikráktól.

- d) **A korongokat kizárólag az ajánlott rendeltetési célra szabad használni. Tilos például köszörülni a daraboló köszörűkorong oldalával.** A daraboló köszörűkorong kerületi csiszolásra, köszörülésre szolgál, a korongra oldalirányban ható erőktől viszont darabokra törhet.
- e) **Mindig a kiválasztott korongnak megfelelő méretű és alakú, ép illesztőperemekkel dolgozzon.** A megfelelő illesztőperemek megtámasztják a korongot, és ezáltal csökkentik a korongtörés esélyét. A daraboló köszörűkorongokhoz alkalmas illesztőperemek eltérhetnek a csiszoló- vagy köszörűkorongokhoz alkalmas illesztőperemektől.
- f) **Ne használjon nagyobb méretű gépeken lekoptatott korongokat.** A nagyobb méretű gépekre való korong nem alkalmas kisebb méretű, nagyobb sebességű géphez, szétrepedhet.

DARABOLÓ KÖSZÖRÜLÉSI MŰVELETEKRE VONATKOZÓ, SPECIÁLIS, KIEGÉSZÍTŐ BIZTONSÁGI FIGYELMEZTETÉSEK



Darabolást csak speciális (külön beszerezhető) védőburkolattal lehet végezni C2 - D2 ábra.

- a) **Ne „erősítse” a daraboló köszörűkorongot, és ne gyakoroljon rá túl nagy nyomást. Ne próbáljon túlságosan mélyen vágni vele.** A túl nagy erőhatás fokozza a korong terhelését, növelve a korong vágatba szorulásának, görbülésének esélyét, ami visszarúgás vagy korongtörés oka is lehet.
- b) **Soha ne álljon a forgó koronggal egy vonalba vagy a forgó korong mögé.** Amikor a korong a műveletvégzés pontjában éppen távolodik a kezelőtől, egy esetleges visszarúgáskor a forgó korong, a gép egyenesen a gépkezelő felé fog lökődni.
- c) **Ha a korong megszorul vagy valamilyen okból meg kell szakítani a vágást, akkor a gépet kikapcsolás után tartsa mozdulatlanul, amíg a korong forgása teljesen le nem áll. A még forgó korongot ne próbálja kiemelni a vágatból, mert visszarúgás következhet be.** Derítse ki, mi okozza a korong megszorulását és szüntesse meg az okát.
- d) **A vágást ne indítsa újra úgy, hogy a korong a munkadarabban van. Várjon, amíg a korong**

eléri teljes fordulatszámát, majd óvatosan engedje vissza a vágatba. A korong beszorulhat, felfelé kicsúszhat vagy visszarúghat, ha a munkadarabban indítja újra az elektromos szerszámot.

- e) **A megszorulás és visszarúgás esélyét csökkentheti a nagy méretű munkadarabok alátámasztásával. A nagy méretű munkadarabok hajlamosak megereszkedni saját súlyuk alatt.** A korong mindkét oldalán, a vágás vonalának közelében és a munkadarab széléhez közel is helyezzen el támasztékokat.
- f) **Legyen különösen óvatos, ha bemélyedést vág meglévő falba vagy ismeretlen felületbe.** A kiálló koronggal belevághat a gáz- és vízvezeték csövekbe, elektromos vezetékbe vagy más tárgyba, ami visszarúgást okozhat.

Elektromos biztonság



Mindig ellenőrizze, hogy a tápellátás megfelelő-e az adattáblán feltüntetett feszültségnek.

- Ne használja a gépet, ha a hálózati kábel vagy a hálózati csatlakozódugó sérült.
- Csak olyan hosszabbító kábelt használjon amely megfelel a berendezés névleges teljesítményének és legalább 1,5 mm² vastag. Ha tekercset használ a hosszabbító kábelhez, mindig teljesen tekerje le a kábelt.
- Ha az elektromos szerszám tápkábele sérült, azt a szolgáltatási szervezeten keresztül kapható, speciálisan kialakított tápkábelrel kell cserélni.

2. A GÉP ADATAI

Rendeltetés

A sarokcsiszoló falazó- és acélanyagok köszörülésére szolgál víz használata nélkül. Daraboláshoz külön védőburkolatot kell használni (nem része a csomagnak). D2 ábra



Nem alkalmas építkezésen történő használatra.

MŰSZAKI ADATOK

| Modellazonosító | AG506AC |
|--|--|
| Hálózati feszültség | 220-240 V |
| Hálózati frekvencia | 50 / 60 Hz |
| Felvett teljesítmény | 2600 W |
| Üresjárat fordulatszám | 6500 /min |
| Maximális korongátmérő: | 230 mm |
| Furat: | 22,2 mm |
| Tengelymenet | M14 |
| Súly | 6,7 kg |
| Hangnyomásszint L_{PA} | 96,1 dB(A) K= 3 dB(A) |
| Hangteljesítményszint L_{WA} | 107,1 dB(A) K= 3 dB(A) |
| Vibráció „felületi csiszolás” $a_{h,AG}$ | 7,86 m/s ² , K = 1,5 m/s ² |



Viseljen hallásvédő eszközt.

Rezgésszint

A használati útmutatóban megadott rezgés kibocsátási értékek mérése az EN 60745-1 és EN 60745-2-3 szabvány szerinti eljárással történt; az értékek használhatók gépek összehasonlítására és a munkavégzés közbeni rezgés terhelés előzetes megbecslésére az adott alkalmazási területen.

- Az elektromos szerszám használata közben jellemző rezgés kibocsátása a megadott teljes értéktől eltérő lehet a szerszám használati módjától;
- A gépkezelő védelme érdekében olyan biztonsági intézkedéseket kell meghatározni, amelyek az aktuális felhasználási körülményekben jellemző expozíció előzetes becsülésén alapulnak (figyelembe véve a működési ciklus valamennyi részét, tehát a szerszám aktív működtetésén kívül a kikapcsolt állapotban és az üresjárat állapotban tartott alkalmakat is).

Védje magát a rezgés hatásától, tartsa karban a gépet és a tartozékokat, melegítsen be és szerelje meg okosan a munkáját.

LEÍRÁS

A szövegbeli számok a 2–4. oldal képeire utalnak.

1. Tengelyrögzítő gomb
2. Imbuszcsoncsavar
3. Védőburkolat

4. Szénkefe fedél
5. Főkapcsoló
6. Oldalfogantyú csatlakozási pontja
7. Oldalfogantyú
8. Imbuszkulcs
9. Hátsó fogantyú
10. Tengely
11. Szerelőkarima
12. Korong (nem része a csomagnak)
13. Szorítóanya
14. Kulcs

3. ÖSSZESZERELÉS



Szerelés előtt mindig kapcsolja ki a gépet, és húzza ki a hálózati csatlakozódugót.

A védőburkolat felhelyezése (C és D ábra)

1. Tegye a gépet az asztalra, a tengellyel (10) felfelé.
2. Tegye a védőburkolatot (3) az orsóvégre a C ábrán látható módon, ügyelve, hogy a védőburkolat bütykei éppen az orsóvég hornyába kerüljenek.
3. A védőburkolatot fordítsa balra, ahogy a D ábra mutatja.
4. Az imbuszkulccsal (8) rögzítse az imbuszcsoncsavart (2) a védőburkolaton (3).
5. A védőburkolat helyzetét az imbuszkulcsot (2) megoldva tudja állítani, állítsa be, majd a belső kulcsnyílású csavart rögzítse újra.



Ne próbálkozzon a védőburkolat eltávolításával.

A korong felhelyezése, levétele (B ábra)



Ne használja a gépet védőburkolat nélkül.



Kizárólag éles és sérülésmentes korongot használjon.

Felszerelés

1. Tegye a gépet az asztalra, a védőburkolattal (3) felfelé.
2. Tegye rá a szerelőkarimát (11) a tengelyorsóra (10).
3. Tegye rá a korongot (12) a tengelyorsóra (10).
4. A tengelyrögzítő gombot (1) nyomva tartva erősen húzza rá a szorítóanyát (13) az tengelyorsóra (10) a kulccsal (14).

Eltávolítás

1. Tegye a gépet az asztalra, a védőburkolattal (3) felfelé.
2. A tengelyrögítő gombot (1) nyomva tartva lazítsa meg a szorítóanyát (13) a kulccsal (14).
3. Vegye le a korongot (12) a tengelyorsóról (10).
4. A tengelyrögítő gombot (1) nyomva tartva húzza meg erősen a szorítóanyát (13) a kulccsal (14).

Oldalfogantyú felszerelése (A és E ábra)

- Az oldalfogantyút (7) a három csatlakoztatási pont egyikébe (6) lehet becsavarni.

4. MŰKÖDÉS

Győződjön meg arról, hogy a munkadarabot megfelelően megtámasztotta vagy rögzítette.

Bekapcsolás, kikapcsolás (A ábra)

- A gép bekapcsolásakor tolja előre a kapcsolót és nyomja meg a főkapcsolót (5).
- A gép kikapcsolásához engedje el a főkapcsolót (5).
- A gép bekapcsolásakor, kikapcsolásakor tartsa a munkadarabtól távol a gépet, mert a korong kárt tehet a munkadarabban.
- Erősen fogja be vagy más módszerrel biztosítsa, hogy a munkadarab ne mozdulhasson el munka közben.
- Rendszeresen ellenőrizze a korongot. Ha kopott a korong, a gép teljesítménye gyengül. Időben cserélje a korongot.

Sorjátlanítás (F ábra)

Sorjátlanításkor legjobb eredményt 30° - 40° fok közötti dőlésszöggel lehet elérni. Enyhe nyomással mozgassa a gépet előre-hátra. Így elkerülhető, hogy a munkadarab elszíneződjön, túlságosan felmelegedjen és nem képződnek barázdák.



Soha ne használjon sorjátlanításhoz daraboló vágókorongot!

Darabolás (G ábra)

Daraboláshoz külön védőburkolatot kell használni (nem része a csomagnak).

Biztosan érjen a munkadarabhoz, hogy ne rezegjen, vágáskor ne döntse és ne is fejtse ki nyomást.

Munka közben a megmunkált anyaghoz megfelelő, mérsékelt nyomást fejtse ki. Ne lassítsa a korongot oldalirányú ellennyomással. Az irány a fontos, amerre a vágás történik. A gépnek mindig a vágás irányában kell dolgoznia; ne mozgassa a gépet a másik irányba! Fennáll a veszély, hogy a gép a vágásba kap, visszarúgás következhet be vagy irányíthatatlanná válhat.

Hasznos ötletek

- Fogja be a munkadarabot. Kis munkadaraboknál használjon satut.
- Mindkét kezével tartsa a gépet.
- Kapcsolja be a gépet.
- Várja meg, amíg a gép teljes sebességre gyorsul.
- Helyezze rá a korongot a munkadarabra.
- Lassan mozgassa a gépet a munkadarabon, közben szilárdan nyomja a korongot a munkadarabnak.
- Ne nyomja túl erősen a gépet. Hagyja, hogy a gép dolgozzon.
- Kapcsolja ki a gépet, majd várja meg, amíg teljesen leáll, csak utána tegye le.

5. KARBANTARTÁS

Tisztítás és karbantartás előtt mindig kapcsolja ki a gépet és húzza ki a hálózati csatlakozódugót.

A gép burkolatát rendszeresen, lehetőleg minden használat után törölje át puha ronggyal. Ügyeljen arra, hogy a szellőzőnyílások portól és piszoktól mentesek legyenek.

Makacs szennyeződésekhez használjon szappanos vízzel átitatott ruhát. Ne használjon oldószert, benzint, alkoholt, ammóniát stb. Az ilyen vegyszerek kárt tesznek a szintetikus alkatrészekben.

KÖRNYEZETVÉDELEM

A hibás vagy már feleslegessé vált elektromos, elektronikus készülékeket az ezzel foglalkozó gyűjtőpontokon kell leadni.

Csak EU országokban

Elektromos szerszámot nem dobjon a háztartási hulladékba. Az elektromos és elektronikai hulladé-

kokra vonatkozó, 2012/19/EU európai irányelv és annak a nemzeti törvénykezésbe történő átültetése értelmében az elhasználadott elektromos készülékeket külön kell gyűjteni és környezetbarát módon kell kiselejtezni.

JÓTÁLLÁS

A VONROC termékei a legmagasabb minőségi normák szerint készülnek, és az eredeti vásárlás napjától számított, törvényileg előírt időtartamig garantáljuk, hogy anyag- és gyártási hibáktól mentesen fognak működni. Ha a termékben ezen időszak alatt bármilyen hiba jelentkezik anyag- és/vagy gyártási hiba miatt, kérjük, forduljon közvetlenül az Ön VONROC kapcsolattartójához.

A szavatosság nem érvényes a következő körülmények egyikére sem:

- Nem hivatalos szervizközpontok javítást vagy módosítást végeztek (vagy megkíséreltek javítást vagy módosítást végezni) a gépen;
- Normál elhasználódás és kopás;
- A szerszámot erőszakosan vagy nem rendeltetésszerűen használták, vagy a karbantartása nem volt megfelelő;
- Nem eredeti pótalkatrészeket használtak.

A garancia a vállalat által (akár kifejezetten, akár hallgatólagosan) biztosított kizárólagos garancia. Nem biztosítunk más garanciákat (sem kifejezett, sem beleértett garanciákat, ideértve az értékesíthetőségre és az adott célra való alkalmasságra vonatkozó hallgatólagos garanciákat is), amelyek a jelen garancia hatókörén túlmútnak. A VONROC semmilyen esetben sem felelős semmilyen járólékos vagy következményes kárért. A forgalmazók jogorvoslati teendői az előírásoknak nem megfelelő egységek vagy alkatrészek javítására és cseréjére korlátozódnak.

A termék és a használati útmutató változtatásának jogát fenntartjuk. A műszaki adatok előzetes bejelentés nélkül változhatnak.

1. BEZPECSNOSNÍ POKYNY

Přečtete si příložené bezpečnostní výstrahy, dodatečné bezpečnostní výstrahy a bezpečnostní pokyny. Nebudete-li dodržovat tyto bezpečnostní výstrahy a pokyny, může dojít k úrazu elektrickým proudem, k vzniku požáru nebo k vážnému zranění. Uschovejte tyto bezpečnostní výstrahy a pokyny pro budoucí použití.

V tomto návodu k obsluze a na tomto výrobku jsou použity následující symboly:



Přečtete si návod k obsluze.



Upozorňuje na riziko zranění osob, ztráty života nebo poškození zařízení, nebudou-li dodržovány pokyny uvedené v tomto návodu.



Riziko zranění odlétávajícími předměty. Zamezte přístupu nepovolaných osob do pracovního prostoru.



Nebezpečí úrazu elektrickým proudem.



Ihned odpojte zástrčku napájecího kabelu od síťové zásuvky, dojde-li k jeho poškození a také před prováděním čištění nebo údržby.



Používejte ochranné brýle.



Používejte ochranu sluchu.



Používejte ochranné rukavice.



Je-li motor v chodu, netiskněte zajišťovací tlačítko hřídele.



Nebezpečí požáru.



Výrobek třídy II – Dvojitá izolace – Není nutné použití uzemňovacího vodiče.



Nevyhazujte tento výrobek do nevhodného kontajneru.



Tento výrobek je vyroben v souladu s platnými bezpečnostními normami, které jsou uvedeny ve směrnicih EU.

ZÁKLADNÍ BEZPEČNOSTNÍ VÝSTRAHY PRO ELEKTRICKÉ NÁŘADÍ



VAROVÁNÍ! Přečtěte si všechny bezpečnostní výstrahy a všechny pokyny. Nebudete-li dodržovat tyto bezpečnostní výstrahy a pokyny, může dojít k úrazu elektrickým proudem, ke vzniku požáru nebo k vážnému zranění.

Uchovejte všechny bezpečnostní výstrahy a pokyny pro budoucí použití.

Termín „elektrické nářadí“ v těchto varováních odkazuje na elektrické nářadí napájené z elektrické sítě (s napájecím kabelem) nebo z akumulátoru (bez napájecího kabelu).

1) Bezpečnost pracovního prostoru

- Udržujte pracoviště uklizené a dobře osvětlené.** Neuklizená nebo tmavá místa přivolávají nehody.
- Nepoužívejte elektrická nářadí ve výbušných prostředích, jako jsou místa s přítomností hořlavých kapalin, plynů nebo prachu.** V elektrickém nářadí dochází k jiskření, které může způsobit vznícení prachu nebo výparů.
- Při práci s tímto elektrickým nářadím udržujte děti a okolostojící osoby v bezpečné vzdálenosti.** Rozptylování může způsobit ztrátu kontroly nad nářadím.

2) Elektrická bezpečnost

- Zástrčka napájecího kabelu nářadí musí odpovídat zásuvce. Zástrčku nikdy žádným způsobem neupravujte. Nepoužívejte u uzemněného elektrického nářadí žádné adaptéry zástrček.** Neupravené zástrčky a odpovídající zásuvky sniží riziko úrazu elektrickým proudem.
- Vyvarujte se kontaktu s uzemněnými povrchy, jako jsou potrubí, radiátory, trouby a ledničky.** Dojde-li k uzemnění vašeho těla, hrozí zvýšené riziko způsobení úrazu elektrickým proudem.
- Nevystavujte elektrické nářadí dešti ani vlhkému prostředí.** Dostane-li se do elektrického nářadí voda, zvýší se riziko úrazu elektrickým proudem.
- Nezacházejte špatně s napájecím kabelem. Nikdy nepoužívejte napájecí kabel pro přenášení nebo tahání tohoto elektrického nářadí a netahajte za tento kabel při odpojování zástrčky od zásuvky. Dbejte na to, aby tento kabel nepřecházel přes horké a mastné povrchy nebo přes ostré hrany, a aby se nedostal do kontaktu**

s pohyblivými se částmi. Poškozené nebo zamotané kabely zvyšují riziko úrazu elektrickým proudem.

- Používáte-li elektrické nářadí venku, použijte prodlužovací kabel vhodný pro venkovní použití.** Použití prodlužovacího kabelu pro venkovní použití snižuje riziko úrazu elektrickým proudem.
 - Musíte-li používat toto elektrické nářadí ve vlhkém prostředí, používejte v elektrickém obvodu proudový chránič (RCD).** Použití proudového chrániče (RCD) snižuje riziko úrazu elektrickým proudem.
- ### 3) Bezpečnost osob
- Při práci s tímto elektrickým nářadím buďte stále pozorní, sledujte, co provádíte, a použijte zdravý rozum. Nepoužívejte elektrické nářadí, jste-li unavení nebo jste-li pod vlivem drog, alkoholu nebo léků.** Chvilková nepozornost při práci s elektrickým nářadím může způsobit velmi vážná zranění.
 - Používejte osobní ochranné prostředky. Vždy používejte ochranu zraku.** Ochranné prostředky, jako jsou maska proti prachu, neklouzavá pracovní ochranná obuv, pevná přilba nebo chrániče sluchu, které jsou používány v příslušných podmínkách, zmenšují riziko způsobení zranění osob.
 - Zabraňte náhodnému spuštění nářadí. Před připojením elektrického nářadí k napájecímu zdroji nebo před vložením akumulátoru do nářadí také před zvednutím nářadí nebo před jeho přenášením se ujistěte, zda je spínač na nářadí v poloze vypnuto.** Přenášení elektrického nářadí s prstem na spínači nebo připojení elektrického nářadí ke zdroji elektrické energie, je-li spínač v poloze zapnuto, zvyšuje pravděpodobnost vzniku nehod.
 - Před zapnutím elektrického nářadí vždy odstraňte všechny klíče a seřizovací přípravky.** Klíče nebo seřizovací přípravky ponechané na rotující části elektrického nářadí mohou způsobit zranění osob.
 - Nepřeceňujte své síly. Vždy udržujte správný postoj a rovnováhu.** Tak si zachováte lepší kontrolu nad nářadím v neočekávaných situacích.
 - Vhodně se oblékejte. Nenoste volný oděv nebo šperky. Udržujte vlasy, oblečení a rukavice v bezpečné vzdálenosti od všech pohyblivých částí.** Volný oděv, šperky nebo dlouhé vlasy mohou být zachyceny pohyblivými se částmi.

- g) Jsou-li zařízení vybavena adaptérem pro připojení odsávacího systému, ujistěte se, zda je odsávací zařízení správně připojeno a zda správně plní svoji funkci. Použití odsávání prachu může snížit rizika spojená s prací v prašném prostředí.
- h) **Nedovolte, aby jistota získaná častým používáním nářadí vedla ke snížení vaší pozornosti a ignorování zásad bezpečné práce s nářadím.** Chvilková nepozornost může během zlomku sekundy způsobit vážné zranění.
- 4) Použití elektrického nářadí a jeho údržba**
- a) **Nepřetěžujte elektrické nářadí. Používejte pro prováděnou práci správné elektrické nářadí.** Správné elektrické nářadí provede práci lépe a bezpečněji, je-li použito pro práce, pro které je určeno.
- b) **Nepoužívejte elektrické nářadí, nepracuje-li správně jeho spouštěcí spínač.** Elektrické nářadí, které nelze ovládat pomocí spouštěcího spínače, je velmi nebezpečné a musí být opraveno.
- c) **Před prováděním jakéhokoliv seřízení, před výměnou příslušenství nebo před uložením odpojte napájecí kabel nářadí od napájecího zdroje nebo z nářadí vyjměte akumulátor.** Tato preventivní bezpečnostní opatření snižují riziko náhodného spuštění elektrického nářadí.
- d) **Uložte nepoužívané elektrické nářadí mimo dosah dětí a nedovolte osobám, které nejsou obeznámeny s tímto nářadím nebo s těmito pokyny, aby toto elektrické nářadí používaly.** Elektrické nářadí je v rukách neproškolených osob nebezpečné.
- e) **Provádějte údržbu elektrického nářadí. Zkontrolujte nevyrovnaní nebo vážnutí pohyblivých částí, poškození součástí a jiné stavy, které by mohly mít vliv na správnou funkci nářadí. Je-li elektrické nářadí poškozeno, zajistěte jeho opravu dříve, než jej použijete.** Mnohé nehody bývají způsobeny nedostatečnou údržbou elektrického nářadí.
- f) **Udržujte řezné nástroje ostré a čisté.** U správně udržovaných řezných nástrojů s ostrými řeznými břity je menší pravděpodobnost jejich zablokování a lépe se s nimi pracuje.
- g) **Používejte elektrické nářadí, příslušenství, pracovní nástroje atd. v souladu s těmito pokyny a berte v úvahu pracovní podmínky a práci, která má být provedena.** Použití elektrického nářadí pro práce, pro které není určeno, může vést k nebezpečným situacím.

- h) **Dbejte na to, aby byly rukojeti a úchopné povrchy suché, čisté a zbvavené olejí a maziv.** Kluzké rukojeti a úchopné plochy neumožňují bezpečnou manipulaci a ovládání nářadí v neočekávaných situacích.

5) Servis

- a) **Svěřte opravu svého elektrického nářadí pouze osobě s příslušnou kvalifikací, která bude používat výhradně originální náhradní díly.** Tím zajistíte bezpečný provoz tohoto elektrického nářadí.

SPOLEČNÉ BEZPEČNOSTNÍ VÝSTRAHY PRO BRUSNÉ I ŘEZNÉ PRACOVNÍ OPERACE

- a) **Toto elektrické nářadí je určeno k tomu, aby bylo používáno jako nářadí pro broušení. Přečtěte si všechny bezpečnostní výstrahy, pokyny, ilustrace a technické údaje dodané s tímto elektrickým nářadím.** Nebudete-li dodržovat všechny níže uvedené pokyny, může dojít k úrazu elektrickým proudem, k vzniku požáru nebo k způsobení vážného zranění.
- b) **Pracovní operace, jako jsou broušení, používání drátěných kartáčů, leštění, nejsou doporučeny, aby byly prováděny pomocí tohoto elektrického nářadí.** Pracovní operace, pro které není toto elektrické nářadí určeno, mohou vytvářet určitá rizika a způsobit zranění.
- c) **Nepoužívejte příslušenství, které není konkrétně navrženo a doporučeno výrobcem tohoto nářadí.** Jen to, že může být příslušenství připevněno k vašemu nářadí, nezaručuje jeho bezpečné použití.
- d) **Jmenovité otáčky příslušenství musí minimálně odpovídat maximálním otáčkám uvedeným na štítku nářadí.** Příslušenství pohybující se rychleji, než jsou jeho jmenovité otáčky, se může rozlomit a rozletět na kusy.
- e) **Vnější průměr a tloušťka vašeho příslušenství musí odpovídat kapacitě vašeho elektrického nářadí.** Příslušenství s nesprávnou velikostí nemůže být odpovídajícím způsobem chráněno a ovládáno.
- f) **Montážní závitý příslušenství se musí shodovat se závitem na hřídeli. U příslušenství montovaného pomocí přírub se musí upínací otvor příslušenství shodovat s polohovacím průměrem příruby.** Příslušenství, u kterých se neshodují montážní prvky, bude nevyvážené, bude nadměrně vibrovat a může způsobit ztrátu kontroly nad nářadím.

- g) **Nepoužívejte poškozené příslušenství. Před každým použitím zkontrolujte příslušenství, jako jsou řezací kotouče, zda nejsou popraskány nebo jinak poškozeny, dále podpěrné podložky, zda nejsou prasklé, roztrhané nebo nadměrně opotřebené a zda nejsou příliš uvolněny nebo ulámany dráty kartáče. Dojde-li k pádu elektrického nářadí nebo příslušenství, zkontrolujte, zda nedošlo k jejich poškození nebo použijte nepoškozené příslušenství. Po kontrole a instalaci příslušenství se postavte vy i ostatní osoby tak, abyste nestáli v ose rotace otáčejícího se příslušenství a uveďte elektrické nářadí na jednu minutu do maximálních otáček.** Během této zkušební doby dojde u poškozeného příslušenství obvykle k jeho zničení.
- h) **Používejte prvky osobní ochrany. Podle prováděné práce používejte obličejový štít a ochranné nebo bezpečnostní brýle. V závislosti na provozních podmínkách používejte masku proti prachu, ochranu sluchu, rukavice a dílenskou zástěru, která je schopná odolat odlétávajícím částicím materiálu.** Ochrana zraku musí být schopna zastavit odlétávající částičky materiálu vznikající při různých operacích. Masky proti prachu nebo respirátory musí být schopny filtrovat částičky vznikající při prováděné práci. Dlouhodobé působení vysoké hluchnosti může způsobit ztrátu sluchu.
- i) **Udržujte okolo stojící osoby v bezpečné vzdálenosti od pracovního prostoru. Každá osoba vstupující do pracovního prostoru musí používat osobní ochranné prostředky.** Odlétávající fragmenty obrobku nebo úlomky příslušenství mohou způsobit zranění i mimo bezprostřední pracovní prostor.
- j) **Při provádění prací, během nichž se může pracovní nástroj dostat do kontaktu se skrytým elektrickým vedením nebo s vlastním napájecím kabelem, držte elektrické nářadí pouze za izolovaná místa určená pro úchop.** Pracovní příslušenství, které se dostane do kontaktu s „živým“ elektrickým vodičem, může způsobit, že nechráněné kovové části nářadí budou také „živé“, což by mohlo vést k úrazu obsluhy elektrickým proudem.
- k) **Ved'te napájecí kabel tak, aby se nedostal do blízkosti rotujícího příslušenství.** Dojde-li k vaší nepozornosti, napájecí kabel může být přetržen nebo může dojít k jeho zachycení a vaše ruce nebo paže může být vtahena do rotujícího příslušenství.
- l) **Nikdy elektrické nářadí nepokládejte, dokud se jeho pracovní příslušenství úplně nezastaví.** Rotující příslušenství se může zachytit o povrch, čímž může dojít k ztrátě kontroly nad nářadím.
- m) **Přenášíte-li elektrické nářadí v ruce podél těla, nikdy jej nespouštějte.** Při náhodném kontaktu s rotujícím pracovním příslušenstvím, které by se mohlo zachytit o váš oděv, by mohlo dojít k vašemu zranění.
- n) **Pravidelně čistěte větrací otvory elektrického nářadí.** Ventilátor motoru bude nasávat prach do skříně motoru a nadměrné nahromadění kovového prachu uvnitř nářadí může způsobit závadu nebo úraz elektrickým proudem.
- o) **Nepoužívejte elektrické nářadí v blízkosti hořlavých materiálů.** Jiskry mohou způsobit vznícení těchto materiálů.
- p) **Nepoužívejte pracovní nástroje vyžadující použití chladicí kapaliny.** Použití vody nebo jiné chladicí kapaliny může vést k smrtelnému nebo k vážnému zranění elektrickým proudem.

Zpětný ráz a související rizika

Zpětný ráz je náhlou reakcí na zaseknutí nebo zablokování rotujícího kotouče, podpěrné podložky, kartáče nebo jiného pracovního příslušenství. Zaseknutí nebo zablokování způsobí rychlé zastavení rotujícího pracovního příslušenství, což způsobí nekontrolovaný pohyb elektrického nářadí v opačném směru, než je směr otáčení pracovního příslušenství v místě jeho zablokování. Dojde-li například k zaseknutí nebo zablokování brusného kotouče v obvodu, část kotouče, která vníká do místa zablokování, se může zarýt do povrchu materiálu, což způsobí vyběhnutí nebo vyhození kotouče. Kotouč může vyskočit směrem k obsluze nebo směrem od obsluhy, v závislosti na směru pohybu kotouče v místě jeho zablokování. V takových situacích dochází také k prasknutí brusných kotoučů. Zpětný ráz vzniká v důsledku nesprávného použití elektrického nářadí nebo v důsledku nesprávných provozních postupů či provozních podmínek a může mu být zabráněno, budou-li dodržovány níže uvedené pokyny.

- a) **Stále udržujte pevný úchop elektrického nářadí a udržujte takovou polohu vašeho těla a paží, která vám umožní odolávat silám zpětného rázu. Vždy používejte přídatnou rukojeť, je-li dodána s tímto nářadím, aby byla zaručena maximální ovladatelnost i v případě zpětného rázu**

nebo během momentové reakce při spuštění nářadí. Jsou-li prováděna správná opatření, obsluha může zvládat momentové reakce nebo síly zpětného rázu.

- b) **Nikdy nepokládejte vaše ruce do blízkosti rotujícího příslušenství.** Mohlo by dojít k zpětnému rázu příslušenství přes vaše ruce.
- c) **Nestoupejte si do prostoru, do kterého se bude pohybovat elektrické nářadí, dojde-li k zpětnému rázu.** Zpětný ráz způsobí pohyb nářadí ve směru, který je opačný, než je pohyb kotouče v místě jeho zablokování.
- d) **Při práci v rozích nebo na hranách obrobků buďte velmi opatrní. Zabraňte odrážení a zachytávání pracovního příslušenství.** Rohy, ostré hrany nebo odsakování mají tendenci způsobovat zablokování rotujícího příslušenství a způsobují ztrátu ovladatelnosti nářadí nebo jeho zpětný ráz.
- e) **Nepoužívejte s tímto nářadím kotouče s řetězem ani ozubené pilové kotouče.** Při použití těchto kotoučů dochází často k zpětným rázům a k ztrátě kontroly nad nářadím.

BEZPEČNOSTNÍ VÝSTRAHY SPECIFICKÉ PRO BRUSNÉ I ŘEZNÉ PRACOVNÍ OPERACE

- a) **Používejte pouze typy kotoučů, které jsou doporučeny pro vaše elektrické nářadí a speciický ochranný kryt určený pro zvolený kotouč.** Kotouče, pro které není toto elektrické nářadí určeno, nemohou být odpovídajícím způsobem chráněny a jsou nebezpečné.
- b) **Brusná plocha kotoučů s prohloubeným středem musí být namontována pod rovinou okraje krytu.** Nesprávně namontovaný kotouč, který přečnává přes rovinu okraje ochranného krytu, nemůže být odpovídajícím způsobem chráněn.
- c) **Ochranný kryt musí být řádně a bezpečně připevněn k elektrickému nářadí a musí být nastaven tak, aby byla zaručena maximální bezpečnost. Směrem k obsluze může být odkryta pouze minimální část kotouče.** Tento ochranný kryt pomáhá chránit obsluhu před ulomenými fragmenty kotouče, před náhodným kontaktem s kotoučem a před jiskrami, které by mohly způsobit vznícení oděvu.
- d) **Kotouče mohou být použity pouze pro doporučené aplikace. Neprovádějte například broušení boční plochou řezacího kotouče.** Řezné kotouče jsou určeny pro obvodové broušení a boční síly působící na tyto kotouče mohou způsobit jejich roztržení.

- e) **Vždy používejte nepoškozené příruby kotoučů, které mají správnou velikost a tvar odpovídající zvolenému kotouči.** Správné zvolené příruby podpírají kotouč a omezují tak riziko jeho možného zlomení. Příruby určené pro řezací kotouče mohou být odlišné od přírub pro brusné kotouče.
- f) **Nepoužívejte opotřebované kotouče z větších brusek.** Kotouč určený pro větší elektrické nářadí není vhodný pro vyšší otáčky menšího nářadí a může být zničen.

DOPLŇKOVÉ BEZPEČNOSTNÍ VÝSTRAHY SPECIFICKÉ PRO ŘEZNÉ PRACOVNÍ OPERACE



Řezné operace mohou být prováděny pouze se speciálním otevřeným ochranným krytem (není dodáván) obr. C2–D2.

- a) **Dbejte na to, aby nedošlo k zablokování řezného kotouče a nevyvíjejte na něj příliš velký tlak. Nepokoušejte se provádět řezání s příliš velkou hloubkou řezu.** Nadměrné namáhání kotouče zvětšuje jeho zatížení a jeho sklon ke kroucení nebo zasekávání v řezu a možnost zpětného rázu nebo jeho zlomení.
- b) **Nestoupejte si tak, abyste stáli v ose kotouče nebo za rotujícím kotoučem.** Pohybuje-li se kotouč v místě zablokování směrem od vašeho těla a dojde-li k zpětnému rázu, rotující kotouč a nářadí mohou být odhozeny přímo na vás.
- c) **Dojde-li z jakéhokoli důvodu k zablokování kotouče nebo k přerušení řezu, vypněte elektrické nářadí a držte toto nářadí bez pohybu, dokud nedojde k úplnému zastavení kotouče.** Nikdy se nepokoušejte vyjmout řezný kotouč z řezu, je-li tento kotouč v pohybu, protože by mohlo dojít k zpětnému rázu. Přezkoumejte situaci a proveďte opravnu akci, abyste eliminovali příčinu zablokování kotouče.
- d) **Nezahajujte znovu řez, nachází-li se kotouč v obrobku. Počkejte, dokud kotouč nedosáhne maximálních otáček a opatrně jej zaveďte do řezu.** Dojde-li k opětovnému spuštění nářadí v řezu, kotouč se může zaseknout, vyskočit z řezu nebo může dojít k zpětnému rázu.
- e) **Rozměrné panely nebo příliš velké obrobky si podepřete, abyste minimalizovali riziko přivření kotouče a zpětného rázu. Velké obrobky mají tendenci se působením vlastní hmotnosti prohýbat.** Podpěry musí být umístěny pod obrobkem v blízkosti čáry řezu a v blízkosti okrajů obrobku na obou stranách kotouče.

- f) **Buďte velmi opatrní při provádění ponorných řezů do stávajících stěn nebo do jiných ploch, ze které nevidíte.** Přesahující část kotouče může přežezat plynové nebo vodovodní potrubí, elektrické vedení nebo předměty, které mohou způsobit zpětný ráz.

Elektrická bezpečnost



Vždy zkontrolujte, zda se napájecí napětí sítě shoduje s napájecím napětím na výkonovém štítku.

- Nepoužívejte tento výrobek, je-li poškozen jeho napájecí kabel nebo zástrčka.
- Používejte pouze prodlužovací kabely, které jsou vhodné pro příkon tohoto zařízení a které mají minimální průřez 1,5 mm². Budete-li používat prodlužovací kabel na cívce, vždy odmotejte celý kabel.
- Je-li napájecí kabel tohoto elektrického nářadí poškozen, musí být nahrazen speciálně připraveným napájecím kabelem, který je dostupný u servisní organizace.

2. INFORMACE O NÁŘADÍ

Určené použití

Vaše úhlová bruska je určena pro broušení stavebních a ocelových materiálů bez použití vody. Provádíte-li řezání, musíte použít speciální ochranný kryt (není dodáván s nářadím). Obr. D2



Není vhodné pro použití na staveništích.

TECHNICKÉ ÚDAJE

| Model č. | AG506AC |
|--|--|
| Napětí sítě | 220–240 V~ |
| Frekvence | 50/60 Hz |
| Příkon | 2 600 W |
| Otáčky naprázdno | 6 500/min |
| Průměr brusného kotouče: | 230 mm |
| Průměr upínacího otvoru: | 22,2 mm |
| Závit hřídele | M14 |
| Hmotnost | 6,7 kg |
| Úroveň akustického tlaku L_{PA} | 96,1 dB(A), K = 3 dB(A) |
| Úroveň akustického výkonu L_{WA} | 107,1 dB(A), K = 3 dB(A) |
| Vibrace, „Broušení povrchu“ $a_{h,AG}$ | 7,86 m/s ² , K = 1,5 m/s ² |



Používejte ochranu sluchu.

Úroveň vibrací

Úroveň vibrací uvedená v tomto návodu k obsluze byla měřena v souladu se standardizovaným testem uvedeným v normách EN 60745-1 a EN 60745-2-3. Může být použita k porovnání jednoho nářadí s jiným a jako předběžné posouzení působení vibrací při použití tohoto nářadí při výše uvedených aplikacích.

- Úroveň vibrací během skutečného používání elektrického nářadí se však mohou lišit od deklarované celkové hodnoty, a to v závislosti na způsobech používání tohoto nářadí.
- Je nutné určit bezpečnostní opatření na ochranu obsluhy, která jsou založena na odhadu expozice v aktuálních podmínkách používání (s ohledem na všechny části pracovního cyklu, jako jsou doby, kdy je toto nářadí vypnuto a kdy je v chodu naprázdno).

Chraňte se před působením vibrací prováděním řádné údržby tohoto nářadí i jeho příslušenství, udržujte ruce v teple a provádějte práci správným způsobem.

POPIS

Čísla v následujícím textu odkazují na obrázky na stranách 2–4.

1. Zajišťovací tlačítko hřídele
2. Šroub s hlavou s vnitřním šestihranem
3. Ochranný kryt
4. Kryt uhlíku
5. Spínač zapnuto/vypnuto
6. Místo připojení boční rukojeti
7. Boční rukojeť
8. Šestihranný klíč
9. Zadní rukojeť
10. Hřídel
11. Montážní příruba
12. Kotouč (není dodáván)
13. Upínací matice
14. Klíč

3. SESTAVENÍ



Před sestavením nářadí vždy vypněte a odpojte zástrčku napájecího kabelu od síťové zásuvky.

Sestavení ochranného krytu (obr. C a D)

1. Položte nářadí na stůl tak, aby byl hřídel (10) otočen směrem nahoru.
2. Položte ochranný kryt (3) na hlavu nářadí, jak je zobrazeno na obr. C a ujistěte se, zda výstupky na ochranném krytu zapadnou do drážek na hlavě nářadí.
3. Otočte ochranný kryt proti směru pohybu hodinových ručiček, jak je zobrazeno na obr. D.
4. Upevněte šroub s hlavou s vnitřním šestihranem (2) pomocí šestihraného klíče (8) na ochranný kryt (3).
5. Polohu ochranného krytu můžete nastavit uvolněním šroubu s hlavou s vnitřním šestihranem (2), nastavením krytu do požadované polohy a opětovným utažením šroubu s hlavou s vnitřním šestihranem.



Nikdy se nepokoušejte tento kryt sejmout.

Montáž a demontáž kotouče (obr. B)

Nepoužívejte toto nářadí bez ochranného krytu.



Používejte pouze ostré a nepoškozené kotouče.

Montáž

1. Položte nářadí na stůl tak, aby byl ochranný kryt (3) otočen směrem nahoru.
2. Namontujte přírubu (11) na hřídel (10).
3. Nasadte kotouč (12) na hřídel (10).
4. Držte stisknuto zajišťovací tlačítko (1) a pomocí klíče (14) pevně utáhněte upínací matici (13) na hřídel (10).

Demontáž

1. Položte nářadí na stůl tak, aby byl ochranný kryt (3) otočen směrem nahoru.
2. Držte stisknuto zajišťovací tlačítko (1) a pomocí klíče (14) povolte upínací matici (13).
3. Sejměte kotouč (12) z hřídele (10).
4. Držte stisknuto zajišťovací tlačítko hřídele (1) a pomocí klíče (14) řádně utáhněte upínací matici (13).

Montáž boční rukojeti (obr. A a E)

- Boční rukojeť (7) může být našroubována do jednoho ze tří otvorů (6) pro upevnění boční rukojeti.

4. POUŽITÍ

Ujistěte se, zda je obrobek řádně podepřený nebo upnutý.

Zapnutí a vypnutí (obr. A)

- Chcete-li nářadí zapnout, zatlačte spínač dopředu a stiskněte spínač zapnuto/vypnuto (5).
- Chcete-li nářadí vypnout, uvolněte spínač zapnuto/vypnuto (5).
- Při zapínání a vypínání držte nářadí v bezpečné vzdálenosti od obrobku, protože by kotouč mohl poškodit obrobek.
- Provedte řádné upnutí obrobku nebo použijte jinou metodu pro jeho upevnění, abyste zajistili, že během práce nebude docházet k jeho pohybu.
- Provádějte pravidelnou kontrolu kotoučů. Opotřebované kotouče snižují účinnost brusky. Provádějte výměnu nových kotoučů včas.

Odstraňování ořepů (obr. F)

Při odstraňování ořepů vám sklon kotouče v úhlu 30° až 40° zaručí nejlepší výsledky. S mírným přitlakem pohybujte s nářadím dopředu a dozadu. Tak zabráníte změně barvy obrobku nebo jeho příliš velkému zahřátí a zabráníte vytváření drážek.



Nikdy nepoužívejte řezné kotouče pro odstraňování ořepů!

Řezání (obr. G)

Provádíte-li řezání, musíte použít speciální ochranný kryt (není dodáván s nářadím).

Udržujte pevný kontakt s obrobkem, abyste zabránili působení vibrací a kotouč při řezání nenakláníte a nevyvíjete na něj boční tlak. Při práci používejte pouze přiměřený tlak, který bude odpovídat právě obráběnému materiálu. Neprovádějte zpomalování kotouče vyvíjením bočního tlaku na kotouč. Směr, jakým chcete provádět řez, je velmi důležitý. Nářadí musí vždy pracovat proti směru řezu, a proto nikdy nepohybujte nářadím v jiném směru! V takovém případě by hrozilo riziko zablokování nářadí v řezu, což by vedlo k způsobení zpětného rázu a k následné ztrátě kontroly nad nářadím.

Rady pro optimální použití

- Upněte obrobek. Používejte upínací zařízení pro malé obrobky.
- Držte toto nářadí oběma rukama.
- Zapněte nářadí.
- Počkejte, dokud nářadí nedosáhne maximální rychlosti.
- Přiložte kotouč k obrobku.
- Pomalu pohybujte nářadím podél obrobku a řádně přitlačujte kotouč k obrobku.
- Nevývíjejte na toto nářadí příliš velký tlak. Nechejte nářadí pracovat jeho vlastním tempem.
- Před odložením nářadí vypněte a počkejte, dokud nedojde k úplnému zastavení jeho pracovního příslušenství.

5. ÚDRŽBA



Před čištěním a prováděním údržby nářadí vždy vypněte a vypojte zástrčku napájecího kabelu ze síťové zásuvky.

Pravidelně čistěte kryt zařízení jemným hadříkem, ideálně po každém použití. Ujistěte se, zda nejsou větrací otvory zaneseny prachem nebo nečistotami. Odolnější nečistoty odstraňte pomocí jemného hadříku navlhčeného v mýdlové pěně. Nepoužívejte žádná rozpouštědla, jako jsou benzín, líh, čpavek atd. Takové chemické látky mohou způsobit poškození dílů z umělé hmoty.

OCHRANA ŽIVOTNÍHO PROSTŘEDÍ



Poškozená a likvidovaná elektrická nebo elektronická zařízení musí být odevzdána ve sběrných dvorech, které jsou určeny pro tento účel.

Pouze pro země EU

Nevyhazujte elektrická nářadí do běžného domácího odpadu. Podle evropské směrnice 2012/19/EU týkající se likvidace elektrických a elektronických zařízení a její implementace do vnitrostátního práva, musí být nepoužívaná elektrická nářadí shromažďována odděleně a jejich likvidace musí být provedena tak, aby nedošlo k ohrožení životního prostředí.

ZÁRUKA

Výrobky VONROC jsou vyvíjeny v souladu s požadavky norem na nejvyšší kvalitu a je zaručeno, že po dobu platné záruky, která začíná běžet dnem původního nákupu, nebudou na těchto výrobcích žádné vady materiálu, ani vady způsobené špatným dílenským zpracováním. Dojde-li během tohoto období k závadě v důsledku vady materiálu nebo dílenského zpracování, kontaktujte přímo firmu VONROC.

Z této záruky jsou vyloučeny následující případy:

- Opravy nebo úpravy tohoto zařízení byly provedeny nebo byly provedeny pokusy o jejich provedení v neautorizovaných servisech;
- Běžné opotřebování;
- Toto zařízení bylo nesprávně použito, nevhodně použito nebo nebyla prováděna jeho správná údržba;
- Byly použity neoriginální náhradní díly.

Výše uvedeně představuje jedinou záruku poskytovanou společností, ať už výslovnou nebo předpokládanou. Neexistují žádné další záruky, výslovné ani nebo předpokládané, které přesahují rámec zde uvedeného, včetně předpokládaných záruk prodejnosti a vhodnosti pro určitý účel. VONROC v žádném případě neodpovídá za jakékoliv náhodné ani následné škody. Opravné prostředky prodejců se omezují výhradně na opravu nebo výměnu nevhovujících jednotek nebo dílů.

Na tomto výrobku a v tomto návodu mohou být prováděny změny. Specifikace mohou být změněny bez dalšího upozornění.



DECLARATION OF CONFORMITY AG506AC - ANGLE GRINDER

- (EN) We declare under our sole responsibility that this product is in conformity with directive 2011/65/EU of the European parliament and of the council of 8 June on the restriction of the use of certain hazardous substances in electrical and electronic equipment is in conformity and accordance with the following standards and regulations:
- (DE) Der Hersteller erklärt eigenverantwortlich, dass dieses Produkt der Direktive 2011/65/EU des Europäischen Parlaments und des Rats vom 8. Juni 2011 über die Einschränkung der Anwendung von bestimmten gefährlichen Stoffen in elektrischen und elektronischen Geräten entspricht. den folgenden Standards und Vorschriften entspricht:
- (NL) Wij verklaren onder onze volledige verantwoordelijkheid dat dit product voldoet aan de conform Richtlijn 2011/65/EU van het Europees Parlement en de Raad van 8 juni 2011 betreffende beperking van het gebruik van bepaalde gevaarlijke stoffen in elektrische en elektronische apparatuur en in overeenstemming is met de volgende standaarden en reguleringen:
- (FR) Nous déclarons sous notre seule responsabilité que ce produit est conforme aux standards et directives suivants: est conforme à la Directive 2011/65/EU du Parlement Européen et du Conseil du 8 juin 2011 concernant la limitation d'usage de certaines substances dangereuses dans l'équipement électrique et électronique.
- (ES) Declaramos bajo nuestra exclusiva responsabilidad que este producto cumple con las siguientes normas y estándares de funcionamiento: se encuentra conforme con la Directiva 2011/65/UE del Parlamento Europeo y del Consejo de 8 de junio de 2011 sobre la restricción del uso de determinadas sustancias peligrosas en los equipos eléctricos y electrónicos.
- (IT) Dichiariamo, sotto la nostra responsabilità, che questo prodotto è conforme alle normative e ai regolamenti seguenti: è conforme alla Direttiva 2011/65/UE del Parlamento Europeo e del Consiglio dell'8 giugno 2011 sulla limitazione dell'uso di determinate sostanze pericolose nelle apparecchiature elettriche ed elettroniche.
- (SV) Vi garanterar på eget ansvar att denna produkt uppfyller och följer följande standarder och bestämmelser: uppfyller direktiv 2011/65/EU från Europeiska parlamentet och EG-rådet från den 8 juni 2011 om begränsningen av användning av farliga substanser i elektrisk och elektronisk utrustning.
- (DA) Vi erklærer under eget ansvar, at dette produkt er i overensstemmelse med følgende standarder og bestemmelser: er i overensstemmelse med direktiv 2011/65/EU fra Europa-Parlamentet og Rådet af 8. juni 2011 om begrænsning af anvendelsen af visse farlige stoffer i elektrisk og elektronisk udstyr.
- (PL) Deklarujemy na własną odpowiedzialność, że ten produkt spełnia wymogi zawarte w następujących normach i przepisach: jest zgodny z Dyrektywą 2011/65/UE Parlamentu Europejskiego i Rady z dnia 8 czerwca 2011 r. w sprawie ograniczenia stosowania niektórych niebezpiecznych substancji w sprzęcie elektrycznym i elektronicznym.
- (RO) Declărăm prin aceasta cu răspunderea deplină că produsul acesta este în conformitate cu următoarele standarde sau directive: este în conformitate cu Directiva 2011/65/UE a Parlamentului European și a Consiliului din 8 iunie 2011 cu privire la interzicerea utilizării anumitor substanțe periculoase la echipamentele electrice și electronice.
- (PT) Declaramos por nossa total responsabilidade de que este produto está em conformidade e cumpre as normas e regulamentações que se seguem: está em conformidade com a Directiva 2011/65/UE do Parlamento Europeu e com o Conselho de 8 de Junho de 2011 no que respeita à restrição de utilização de determinadas substâncias perigosas existentes em equipamento eléctrico e electrónico.
- (HU) Kizárólagos felelősségünk tudatában kijelentjük, hogy ez a termék megfelel az Európai Parlamentnek és a Tanácsnak az egyes veszélyes anyagok elektromos és elektronikus berendezésekben való alkalmazásának korlátozásáról szóló 2011/65/EU irányelvének (június 8.), valamint a következő szabványoknak és jogszabályoknak:
- (CS) Prohlašujeme na svou výhradní odpovědnost, že tento výrobek splňuje požadavky směrnice 2011/65/EU Evropské rady a parlamentu ze dne 8. června, která se týká omezení používání určitých nebezpečných látek v elektrických a elektronických zařízeních, a splňuje také všechny požadavky následujících norem a předpisů:

EN 55014-1, EN 55014-2, EN 61000-3-2, EN 61000-3-3, EN 60745-1, EN 60745-2-3, 2006/42/EC, 2014/30/EU, 2011/65/EU, 2012/19/EU

Zwolle, 01-07-2022

H.G.F Rosberg
CEO

VONROC • Lingenstraat 6 • 8028 PM Zwolle • The Netherlands



VONROC®
BUILD YOUR FUTURE

©2022 VONROC
WWW.VONROC.COM

2207-21