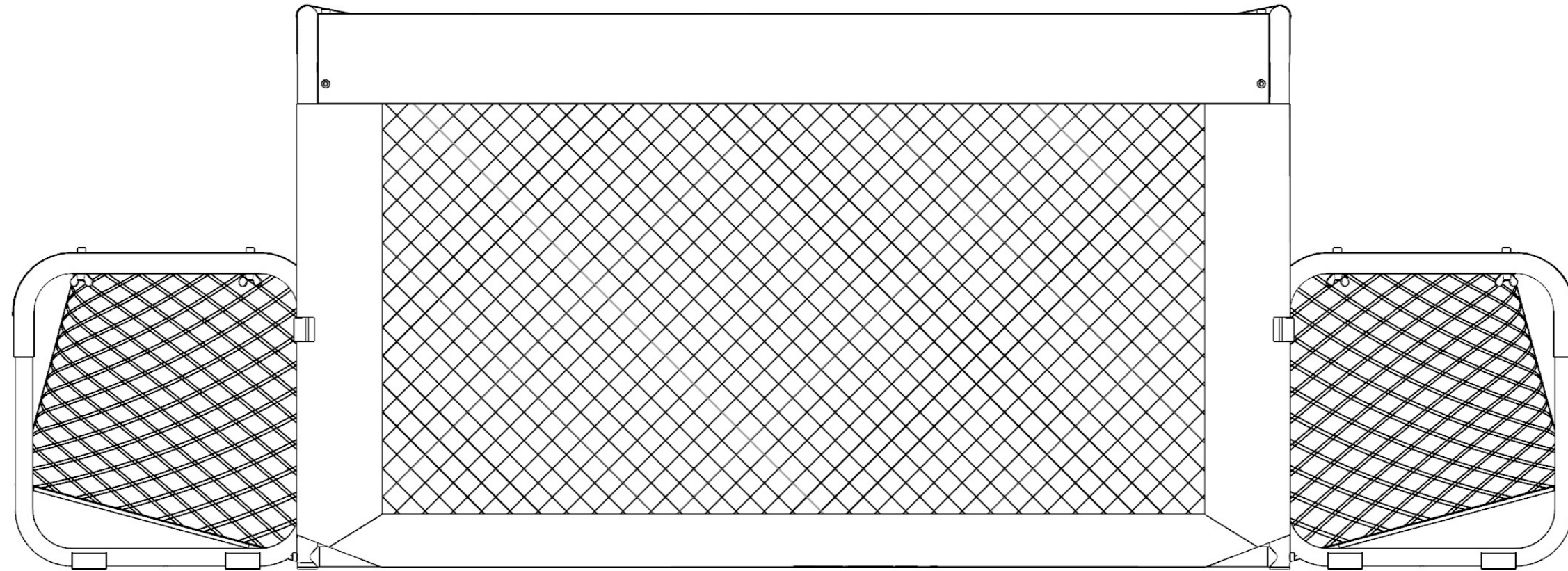


SUBSOCCER[®]

Assembly Instructions



SUBSOCCER 3

Product description

SUBSOCCER® 3 withstands heavy use and different weather conditions. Recommended for indoor and outdoor use. Two persons are required to assemble the game. The product is delivered in parts.

Product includes

Subsoccer 3: two chairs with nets, table with nets and gaming mat.
Official game ball
Assembly instructions and safety manual
Needed tools for assembly
NOTE! Ball pump is not included in the package

Product size

Table: length: 1241mm, width: 814 mm, height: 709.5 mm. Weight: 11 kg
Chair: length: 380 mm, width: 691 mm, height: 395 mm. Weight: 7,5 kg

Complete product: length: 1951 mm, width: 814 mm, height: 709.5 mm
The floor area required for the game: 2000 mm x 850 mm
Total weight of the game: 25 kg

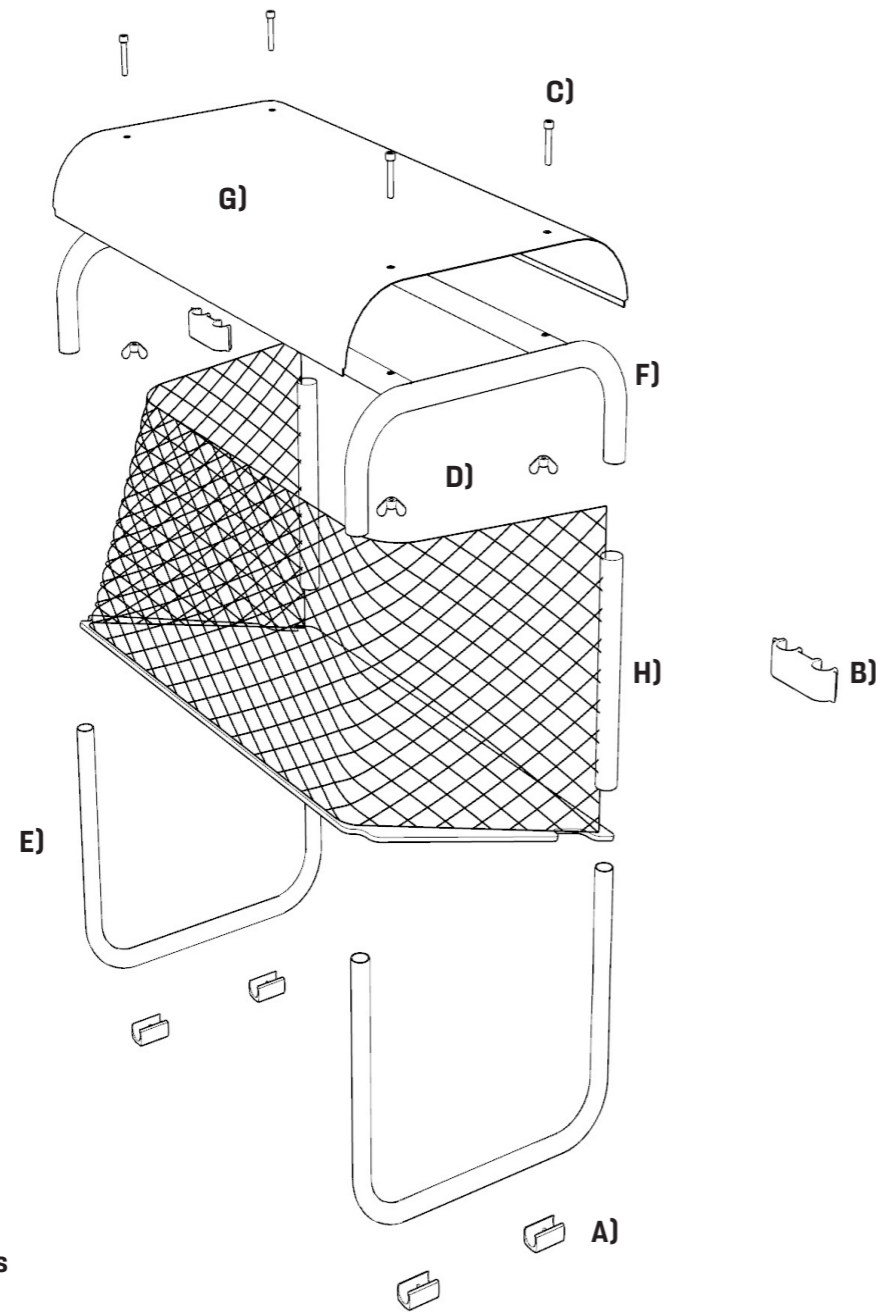
Materials and care instructions

Seat plate / table's top rail: Steel, polyester based powder coating
Pipe structure: furniture steel pipe, polyester based powder coating
Brackets: injection molded polypropylene, stainless steel
Fabrics and nets: polyester, polyamide, polypropylene
Gaming mat: Printed polycarbonate

For your maximum durability we suggest you store your Subsoccer 3 inside during rainy weather and at night. Regular cleaning and weather protection are the best ways to extend the life of your product. Cleaning with a mild detergent solution. Dry with a clean, dry cloth.

PLEASE RETAIN THIS INFORMATION FOR FUTURE REFERENCE!

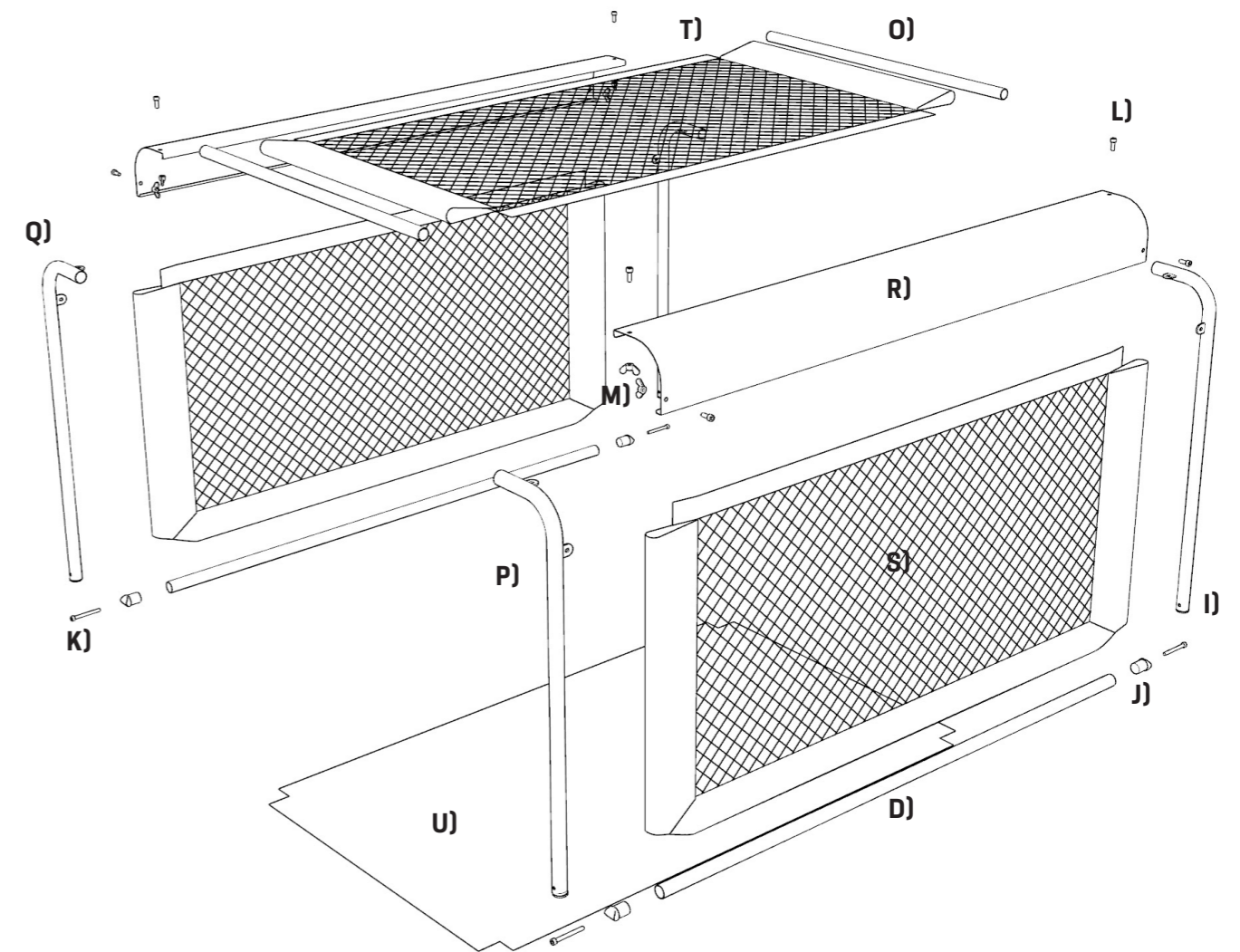
CHAIR - PART LIST



CHAIR, 2 pieces

- A) 8 x Glides
- B) 4 x Attachment clips for chairs and table
- C) 8 x Hexagon socket head cap screw
- D) 8 x Wing nut
- E) 4 x Chair leg
- F) 2 x Chair support structure
- G) 2 x Seat plate
- H) 2 x Ball return plate with net

TABLE - PART LIST



TABLE, 1 piece

- I) 4 x Tube endings
 - J) 4 x Curved Tube Connector
 - K) 4 x Hexagon socket head cap screw, 90 mm
 - L) 8 x Hexagon socket head cap screw, 12 mm
 - M) 8 x Wing nut (same as D.)
 - N) 2 x Down pipe
 - O) 2 x horizontal support pipe
 - P) 2 x table leg, right handed
 - Q) 2 x table leg, left handed
 - R) 2 x Curved main rail
 - S) 2 x side net with the Subsoccer logo
 - T) 1 x top net
 - U) 1 gaming mat
- + Allen key
+ Ball

TABLE SIDE X 2

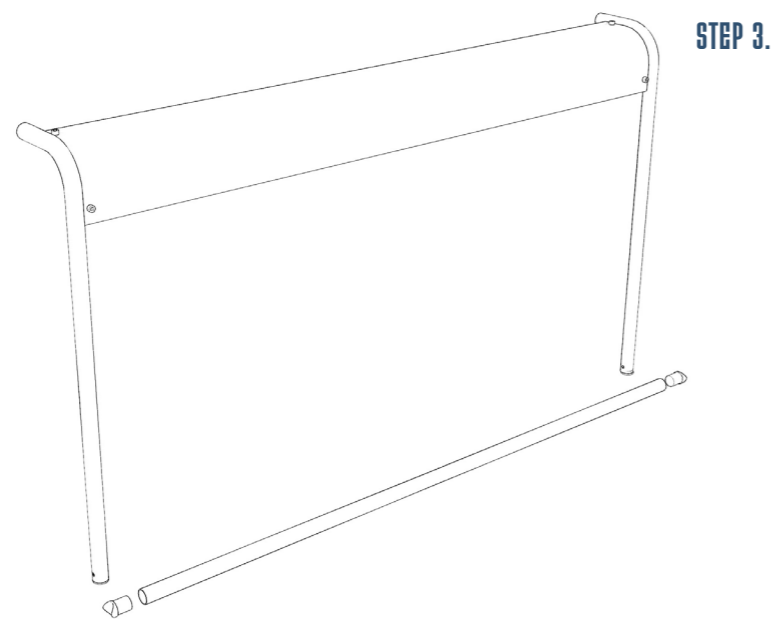
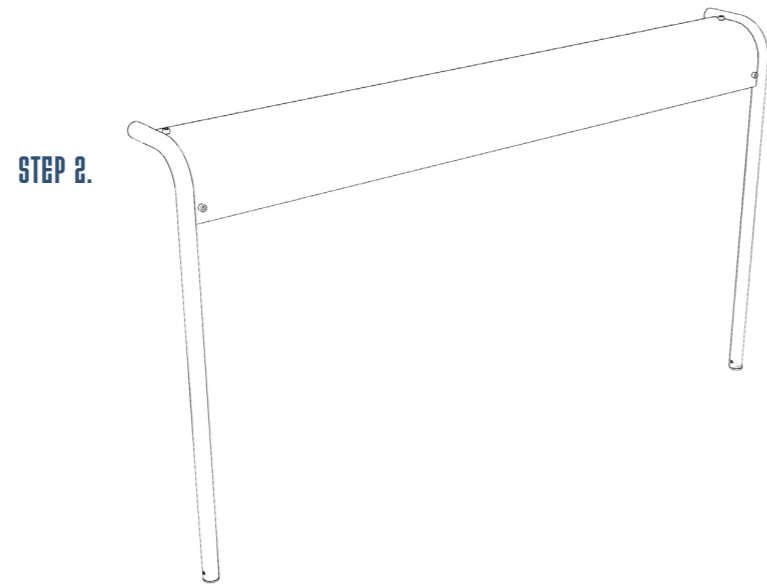
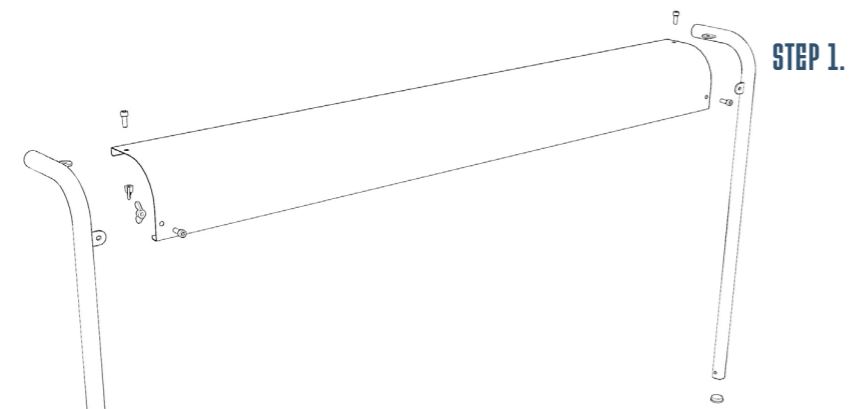


TABLE SIDE X 2

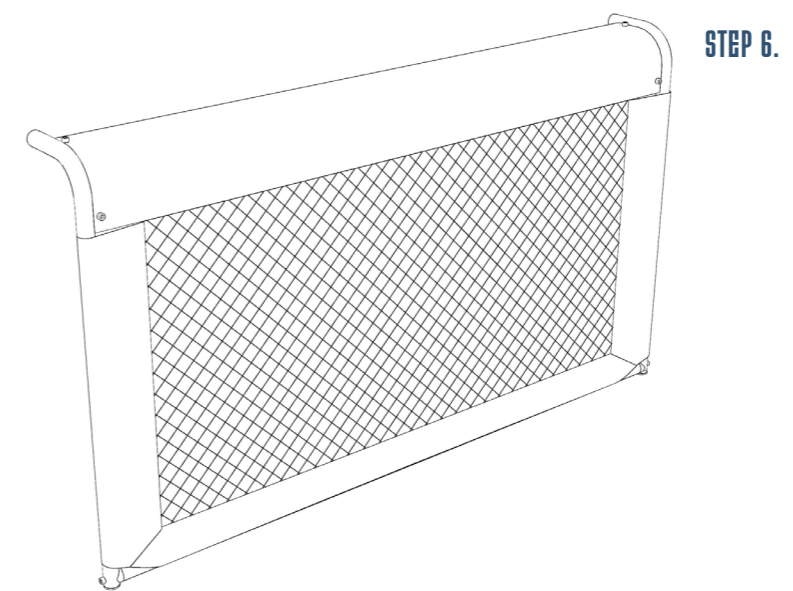
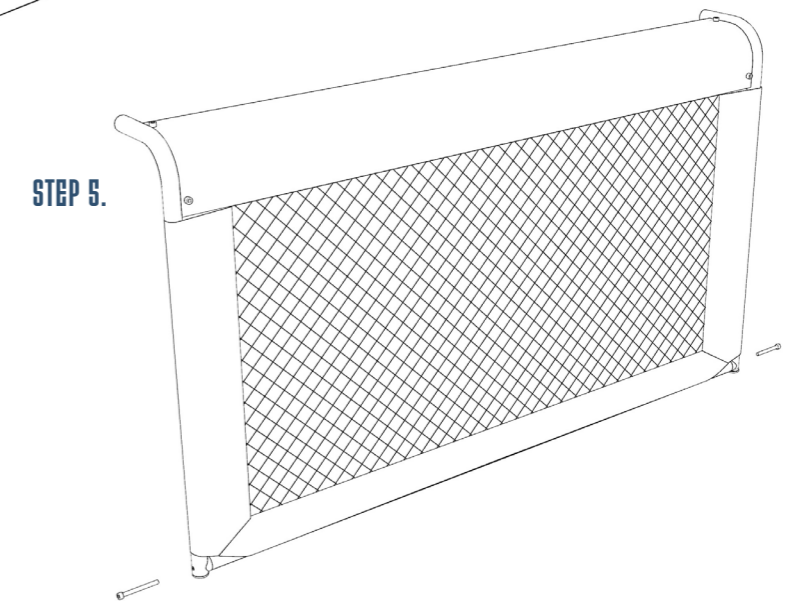
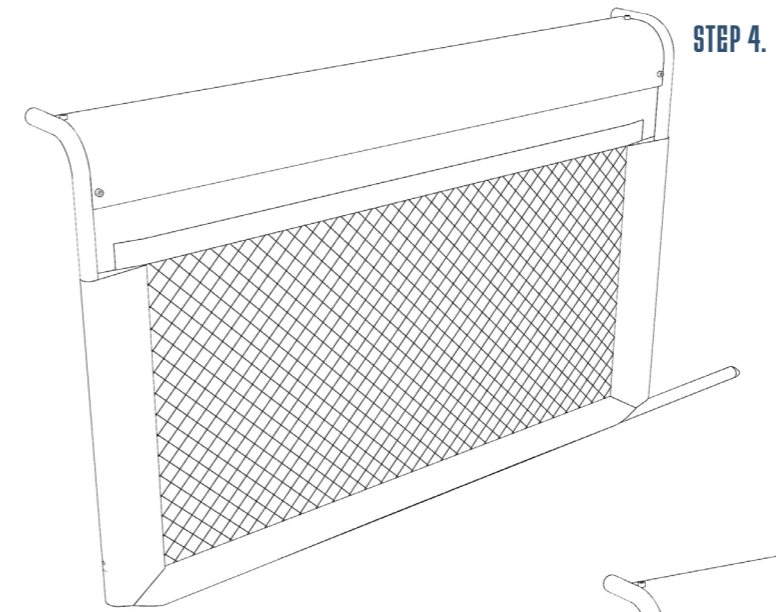
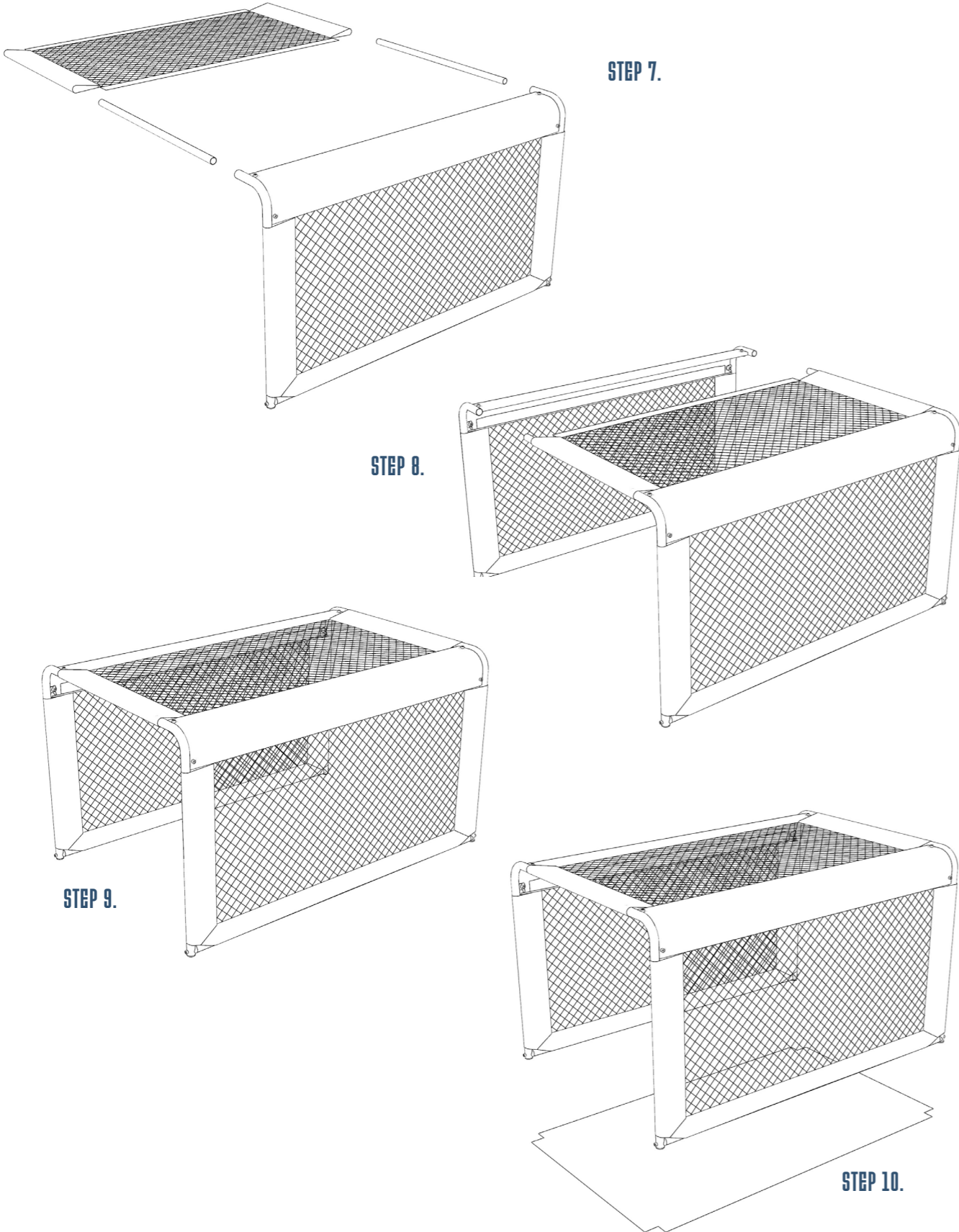
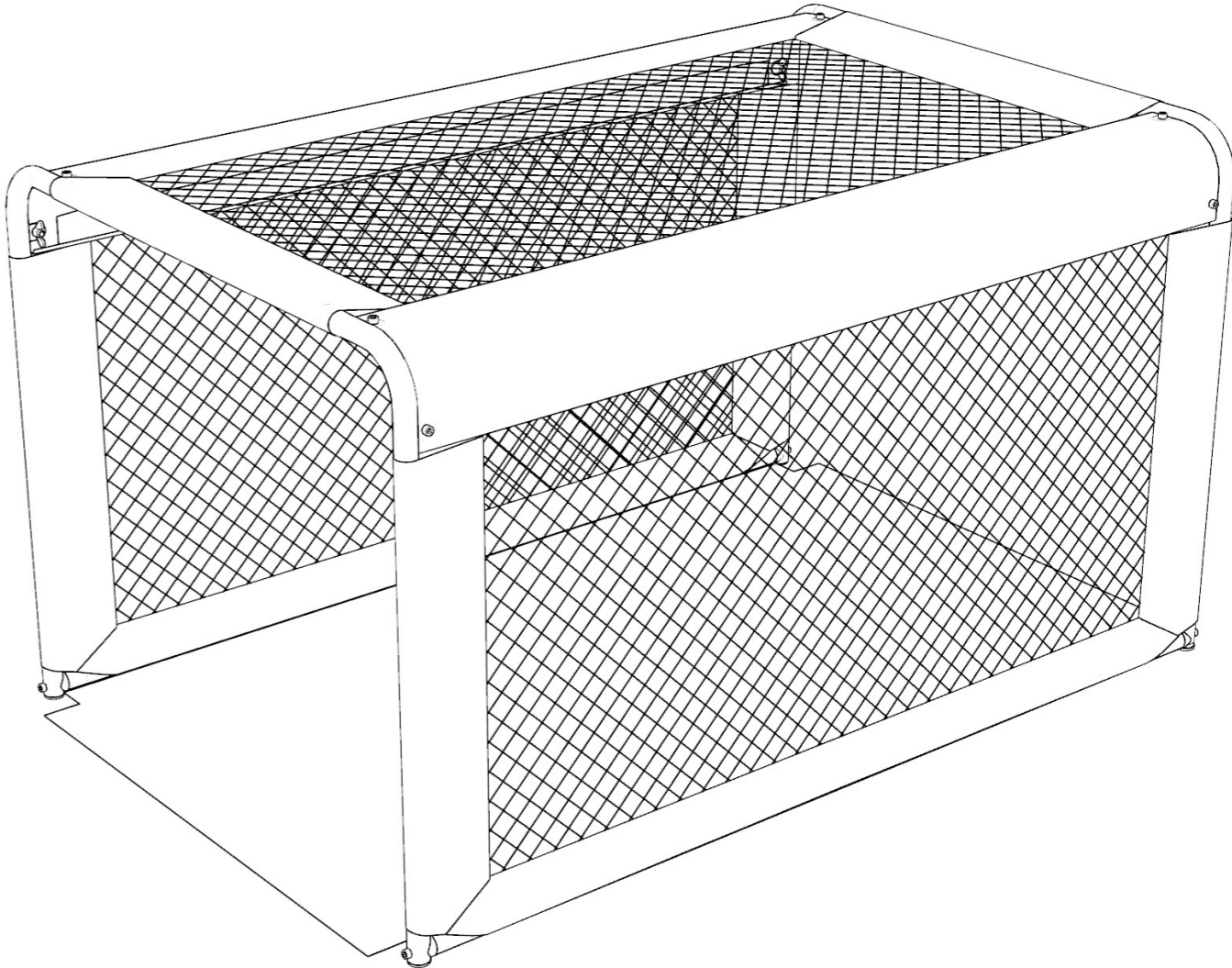


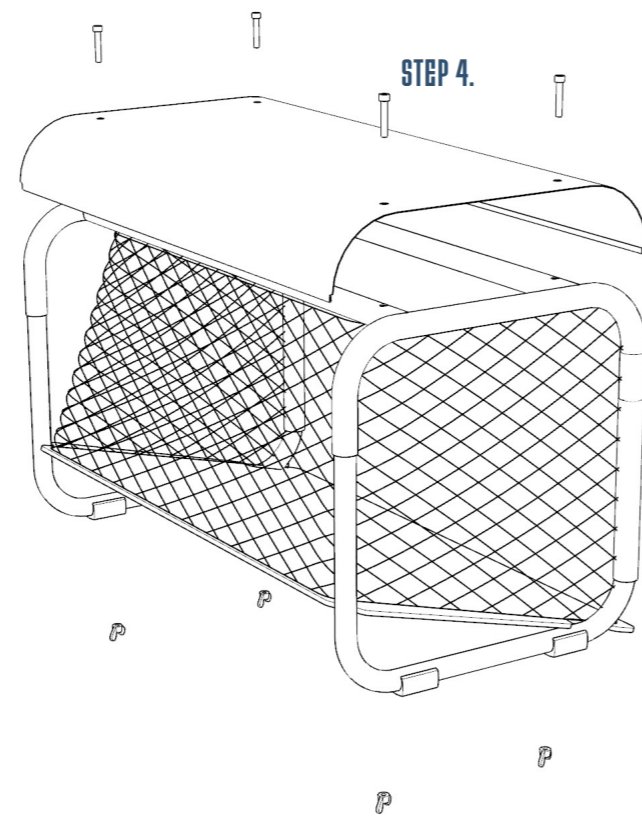
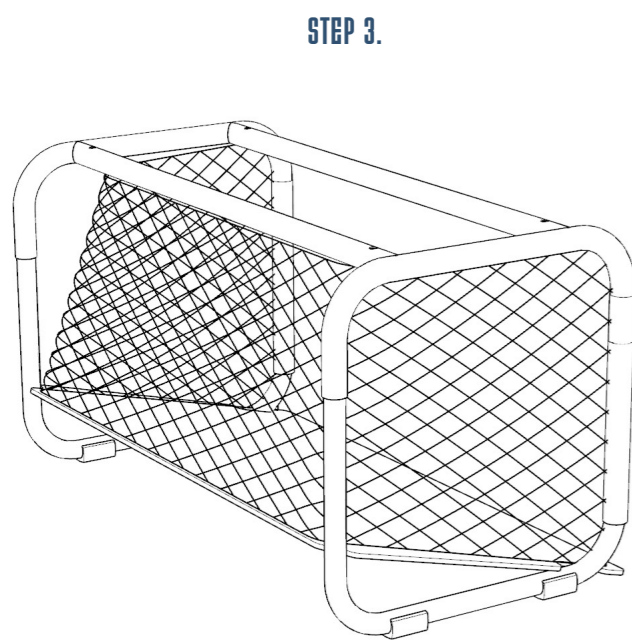
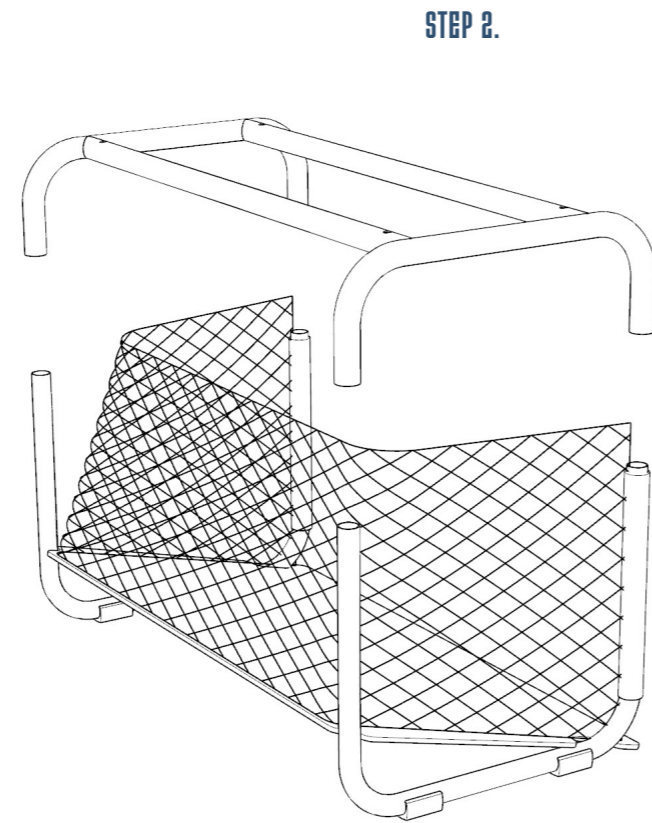
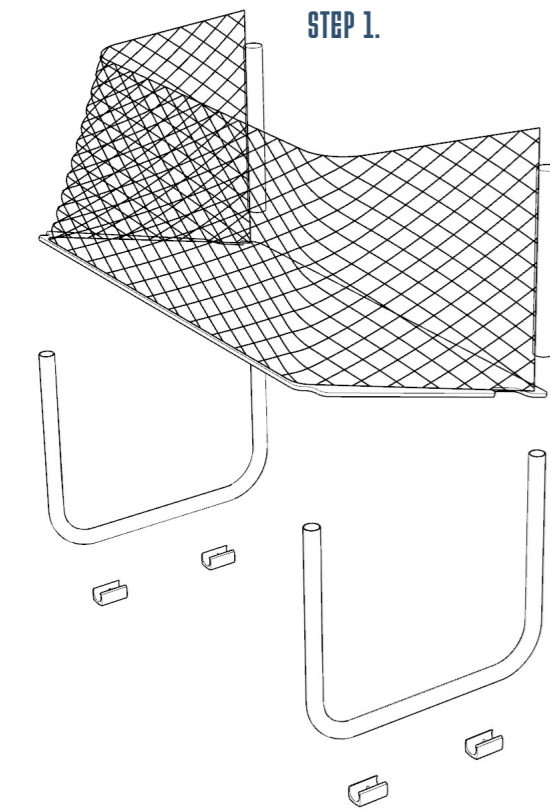
TABLE TOP AND MAT



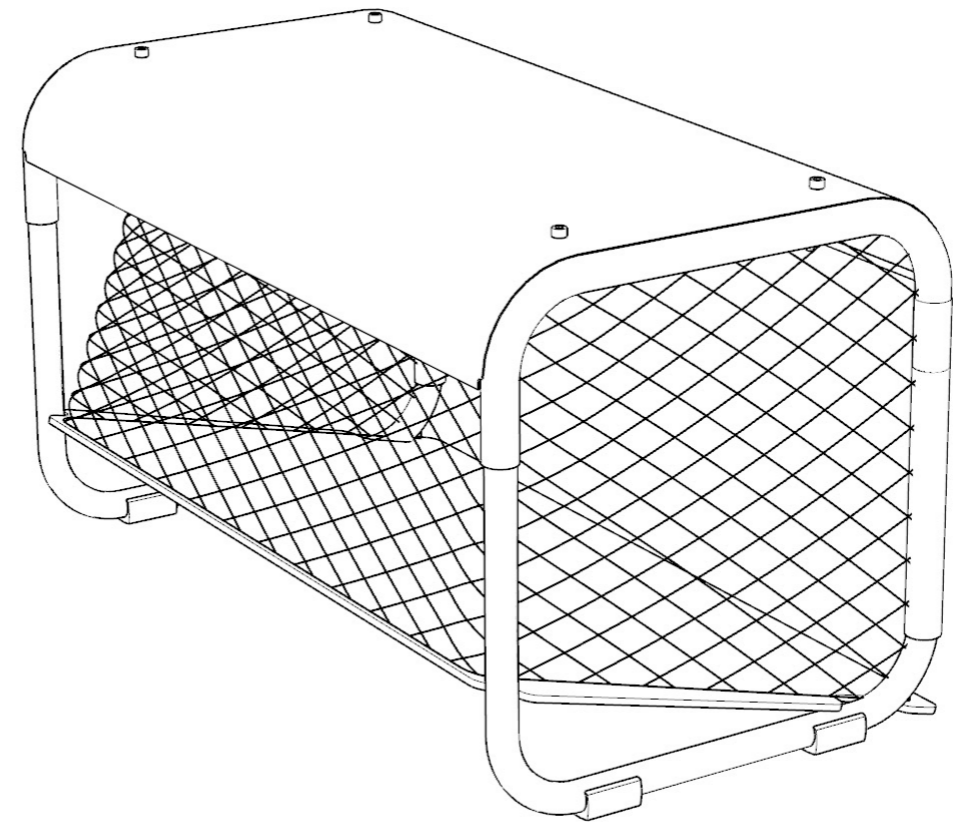
COMPLETE TABLE



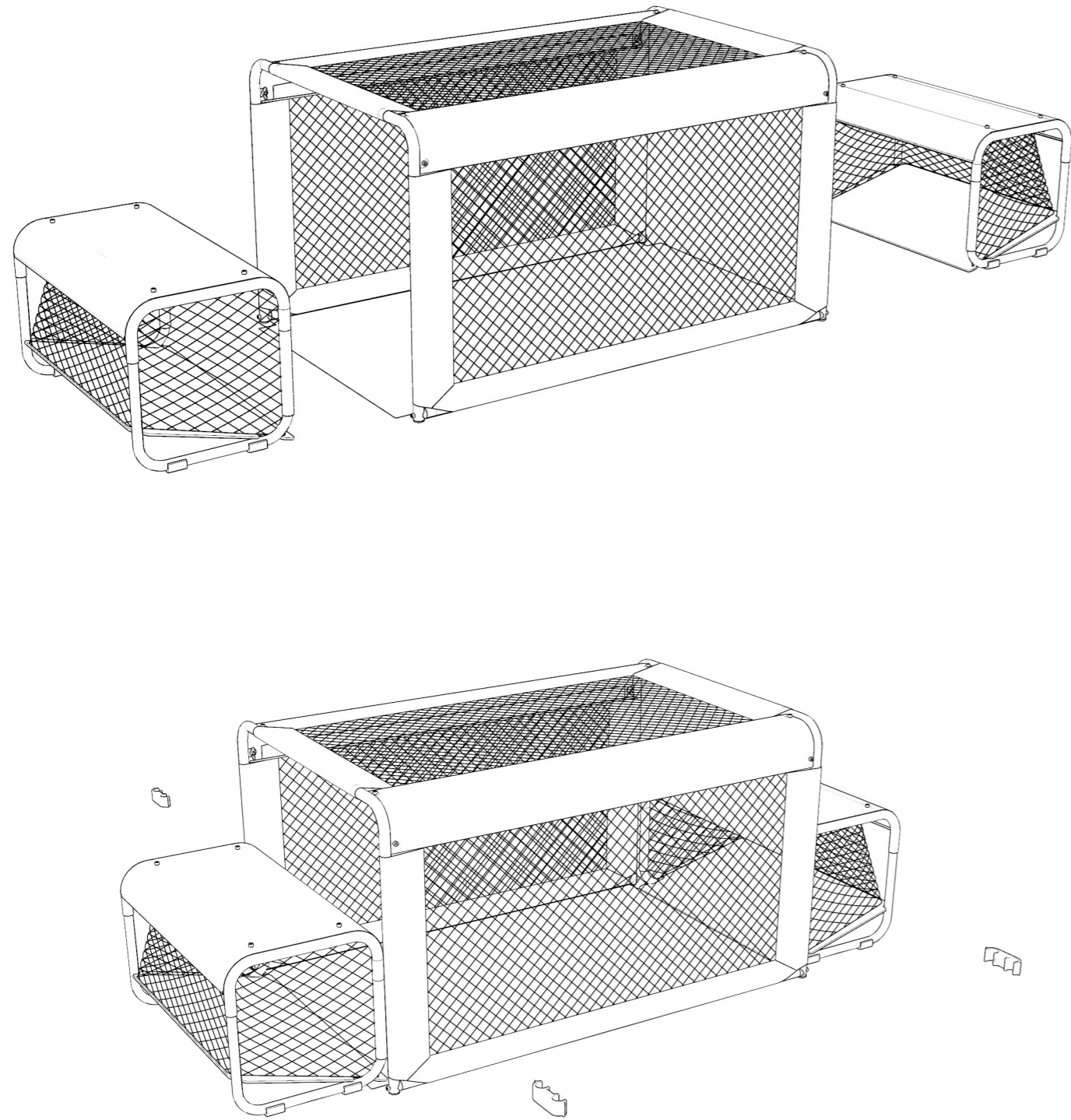
CHAIR X 2



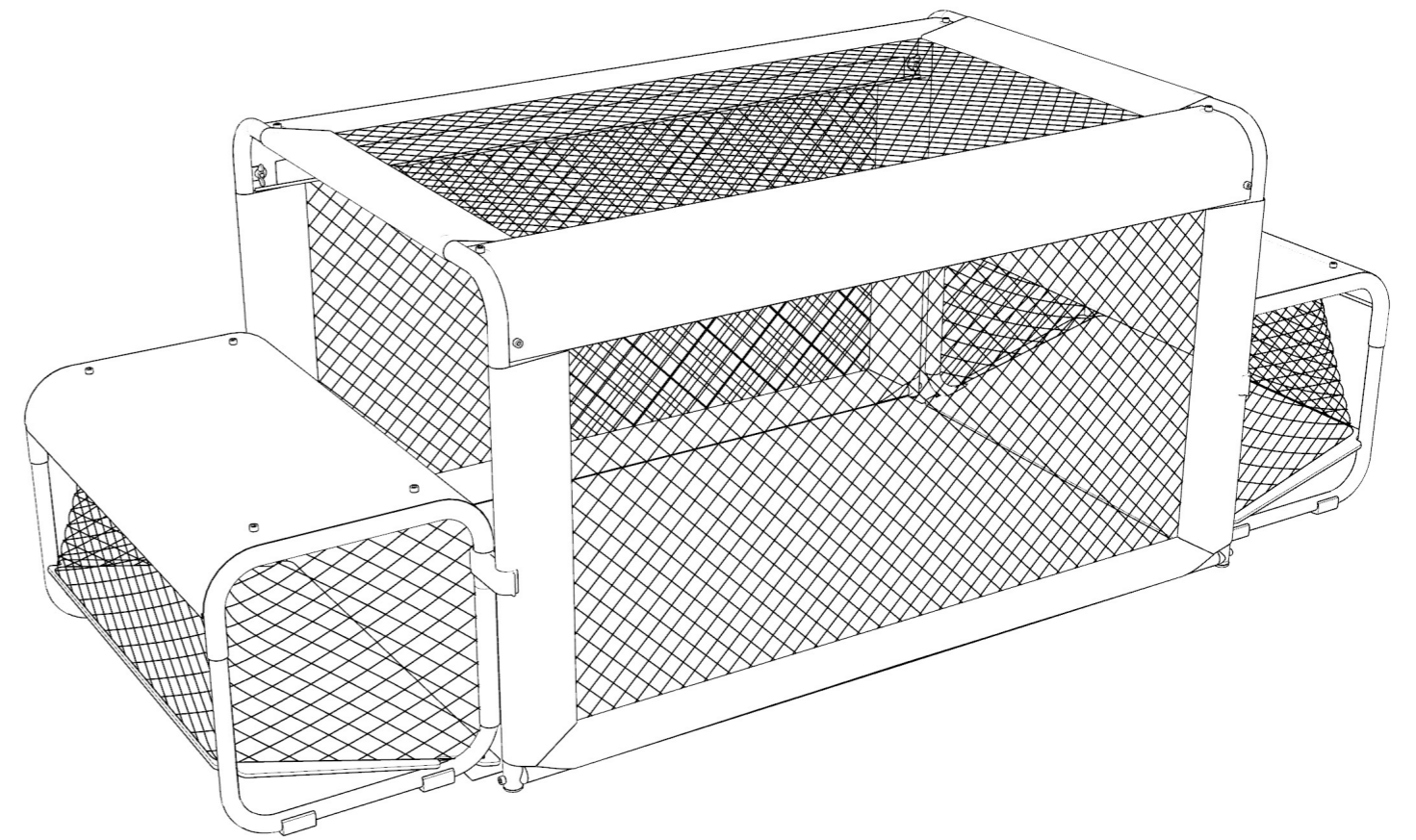
COMPLETE CHAIR



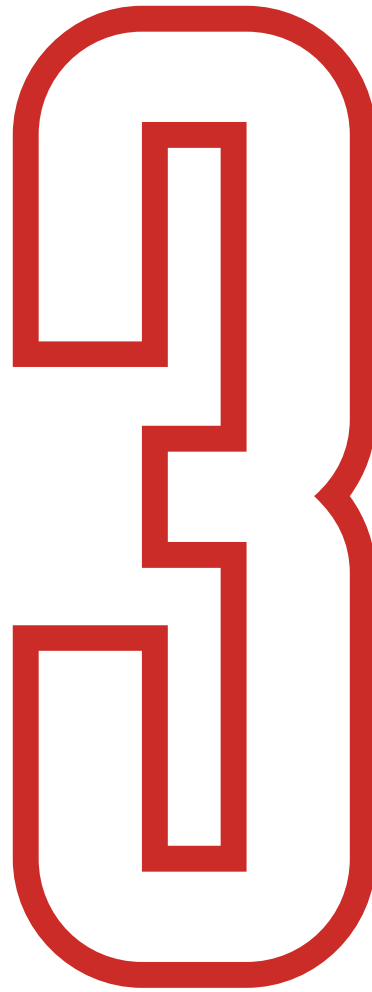
ATTACHMENT



COMPLETE SUBSOCCER 3



PLEASE RETAIN THIS INFORMATION FOR FUTURE REFERENCE!



SUBSOCCER® products is designed in Finland and manufactured in EU by 4 Feet Under Ltd.
SUBSOCCER® products is manufactured in the EU by the companies with the ISO standards.
SUBSOCCER® is a registered trademark of 4 Feet Under Ltd.
SUBSOCCER® game is PATENTED.

www.subsoccer.com
Copyright © 2021 4 Feet Under Ltd.