

home

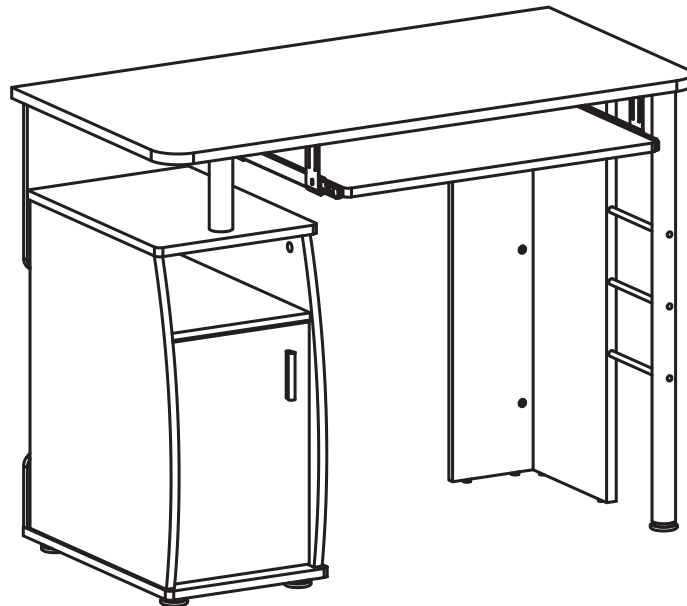
for quality home and office furniture

piranha[®] ELVER ASSEMBLY INSTRUCTIONS

Please read this guide carefully and check that you have all parts before you begin assembly. As a thank you for your purchase, we would like to offer you a 10% discount* off our range of matching furniture on www.homeinonline.com with voucher code **10%MATCH**.

Need help with your item or unhappy?

If you have **ANY** questions, please do not hesitate to email us on info@homeinonline.com and we will do our very best to help. You can also contact us via our website www.homeinonline.com



TWO PEOPLE RECOMMENDED

PC1 (ELVER)

General Care:

Keep furniture out of direct sunlight. Use mats and coasters to protect surfaces.
Do not place hot or wet items directly onto unprotected surfaces.

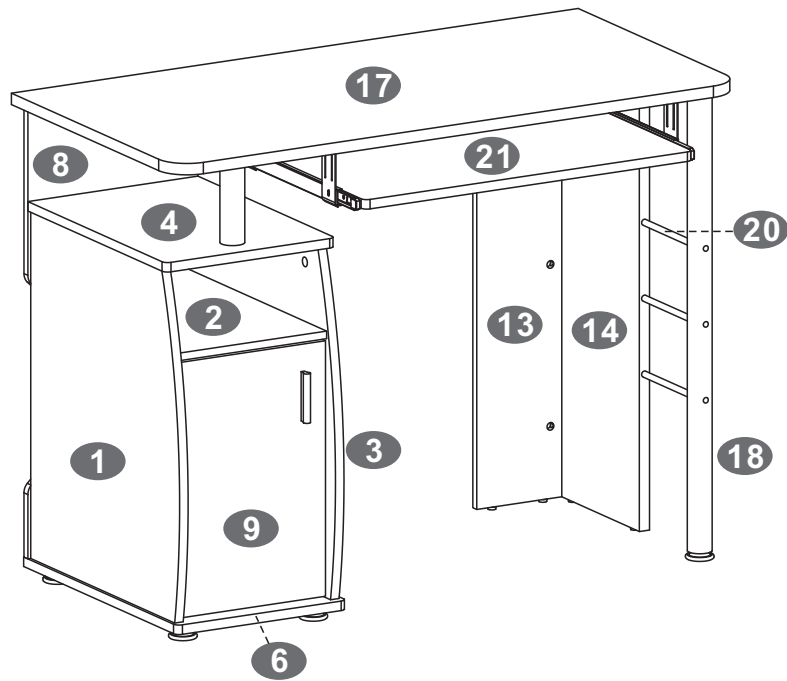
Cleaning:


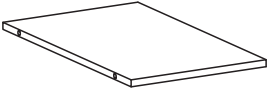

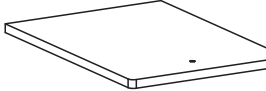
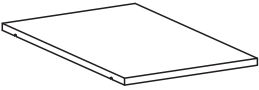
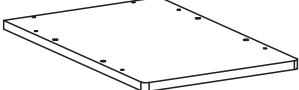
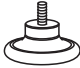
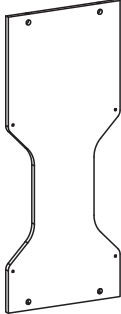
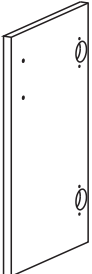
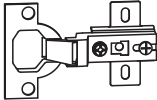


Wipe surfaces with a clean damp (not wet) cloth then dry with a clean lint free cotton cloth.
Glass surfaces may be polished with window or other glass cleaning liquids.

Please retain cartons until assembled as goods MUST be returned in original packaging.

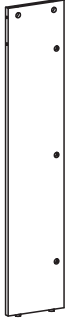


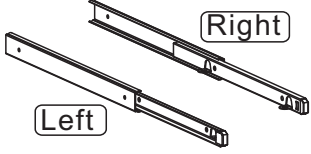
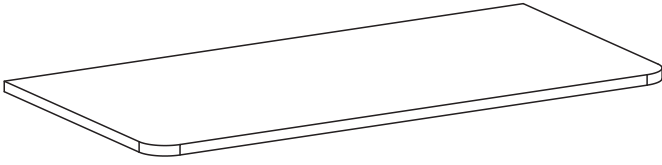


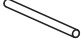





■ PARTS LIST



 X1	 X1	 X1	 X1
 X1	 X1	 X5	 X1
 X1	 X2	 X1	 X1



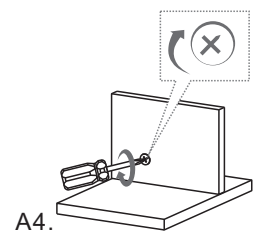
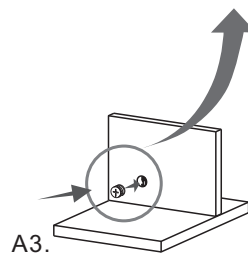
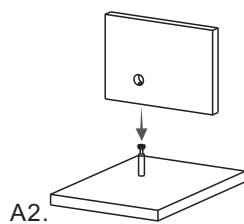
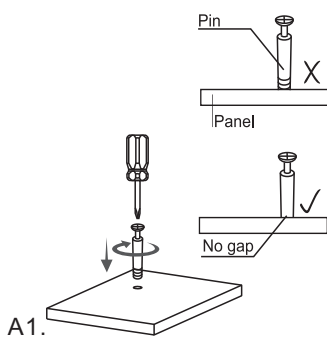
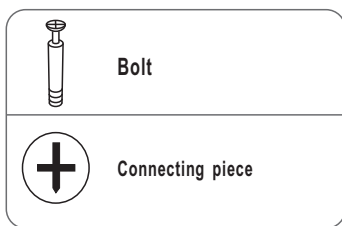
 <p>13</p> <p>X1</p>	 <p>14</p> <p>X1</p>	 <p>15</p> <p>X4</p>	 <p>16</p> <p>X1</p>
 <p>17</p> <p>X1</p>		 <p>18</p> <p>X1</p>	 <p>19</p> <p>X1</p>
 <p>20</p> <p>X3</p>	 <p>21</p> <p>X1</p>	 <p>22</p> <p>X4</p>	 <p>23</p> <p>X1</p>



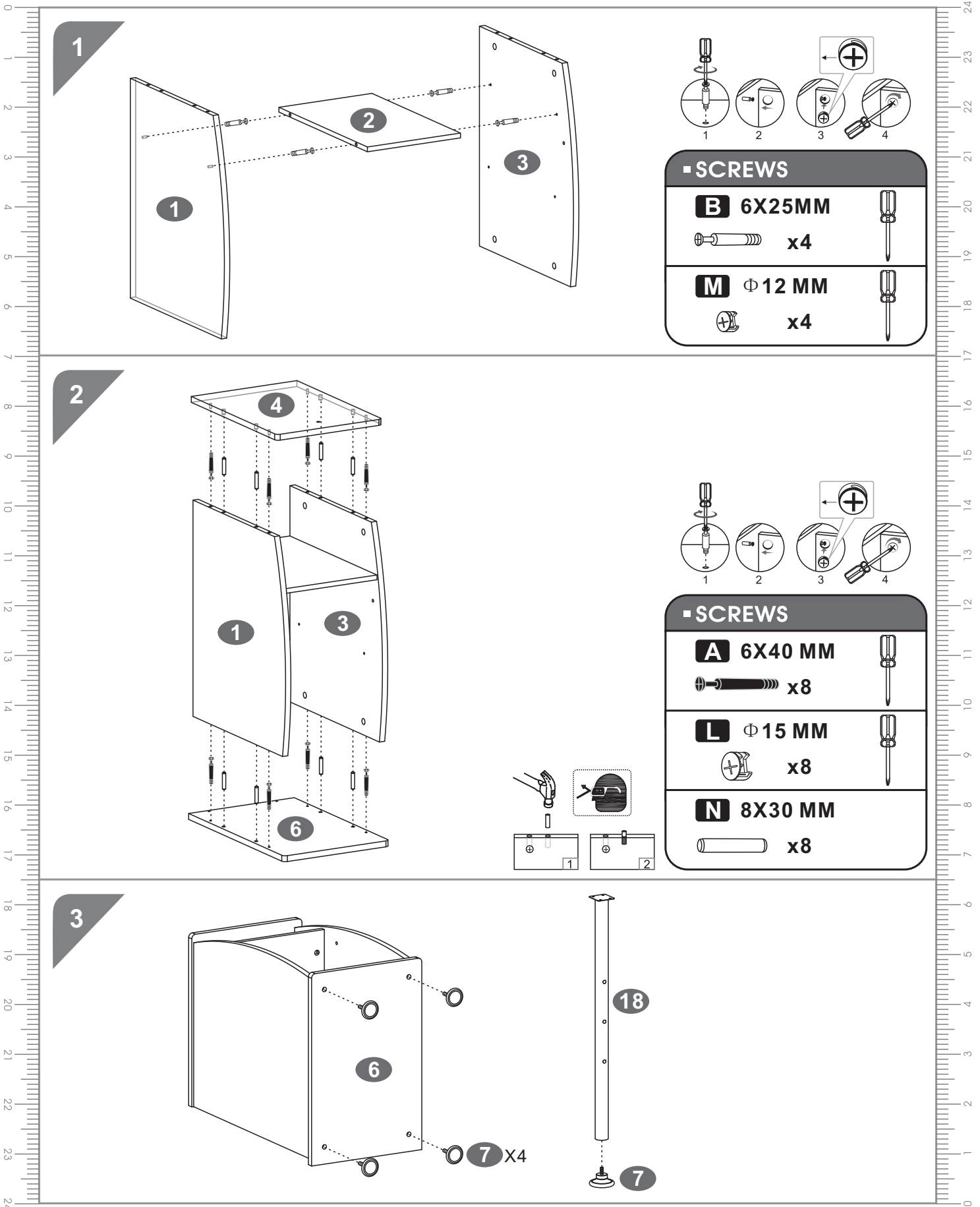
SCREWS LIST

PART	QTY.	ITEM		PART	QTY.	ITEM	
A	10	6X40 MM		I	8	4X16 MM	
B	17	6X25 MM		J	2	4X20 MM	
C	1	6X35 MM		K	4	4X4 MM	
D	3	6X50 MM		L	10	Φ 15 MM	
E	4	6X12 MM		M	17	Φ 12 MM	
F	3	6X30 MM		N	8	8X30 MM	
G	4	5X40 MM			1		
H	12	4X14 MM					

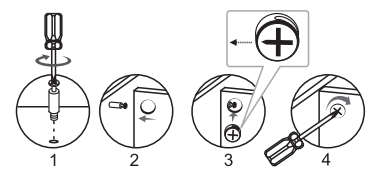
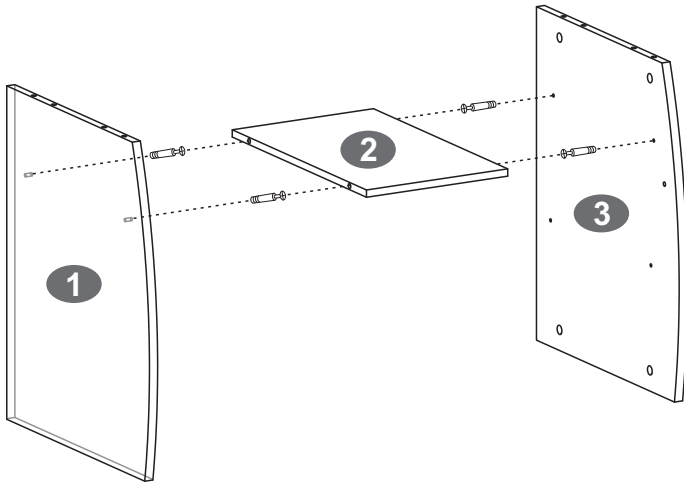
6X40MM & 5X25MM BOLT INSTALLATION AS BELOW:



ASSEMBLY STEPS:

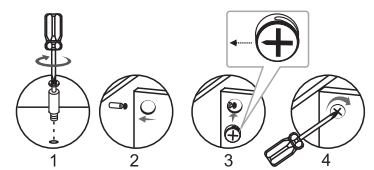
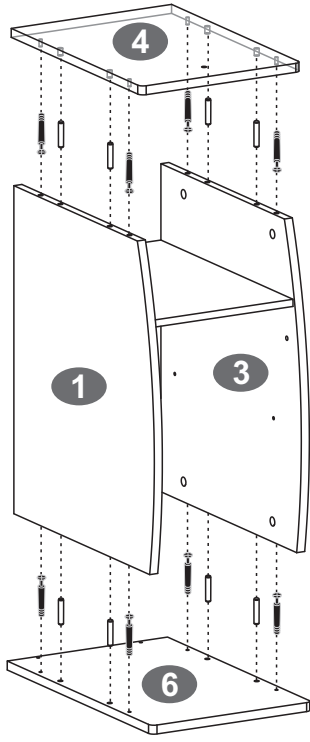


1

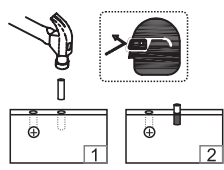


- SCREWS	
B 6X25MM	
x4	
M Φ 12 MM	
x4	

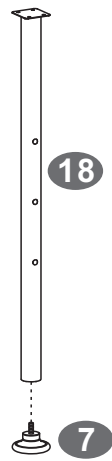
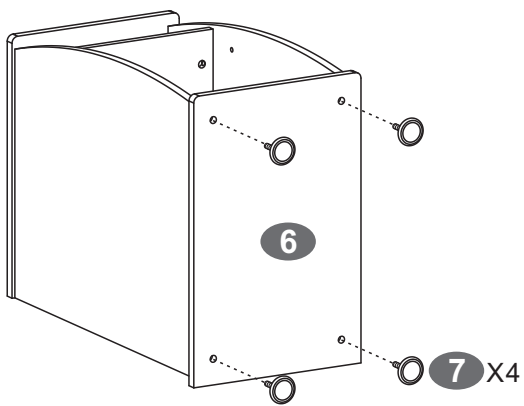
2



- SCREWS	
A 6X40 MM	
x8	
L Φ 15 MM	
x8	
N 8X30 MM	
x8	

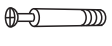





3



4



SCREWS

B 6X25 MM  

M Φ 12MM  

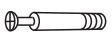

5



SCREWS

G 5X40 MM  

6

SCREWS

B 6X25 MM  

M Φ 12MM  

7

8 **12** **13**

SCREWS

B 6X25 MM x4

M Φ 12MM x4

1 2 3 4

8

15X4 **17**

SCREWS

E 6X12 MM x4

9

Right **Left** **16** **15**X4

SCREWS

K 4X4 MM x4

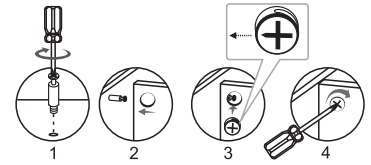
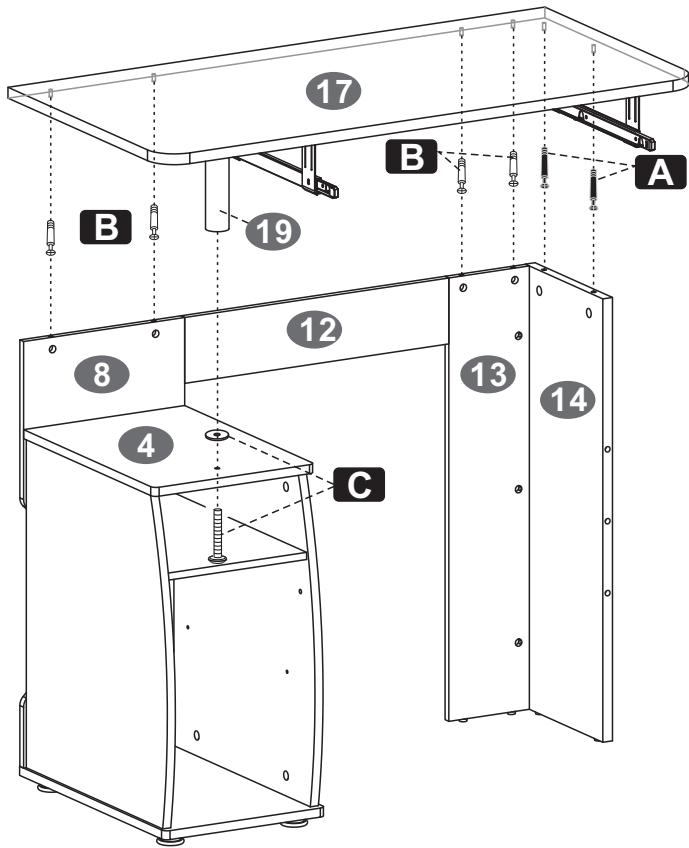
10

19 **17**

SCREWS

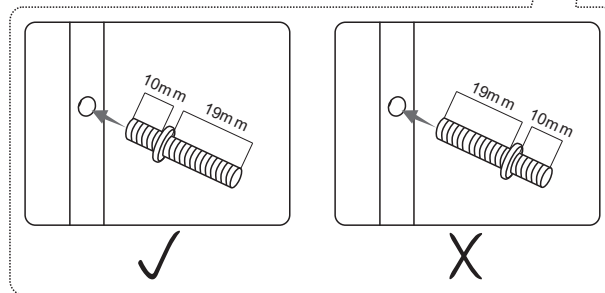
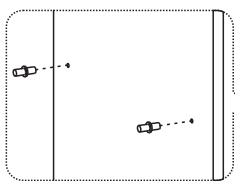
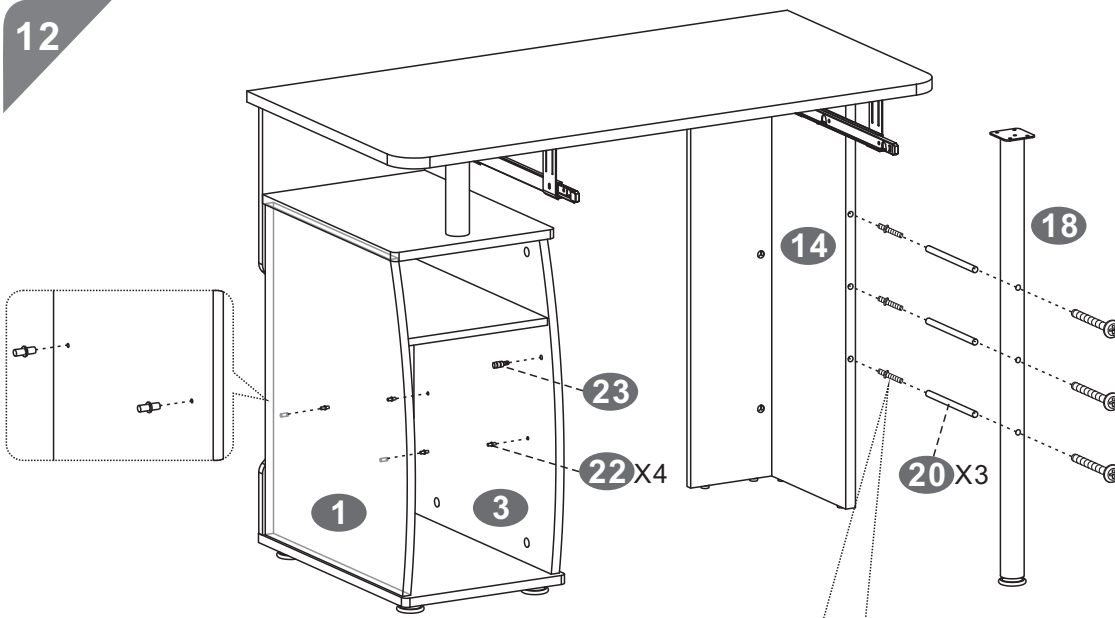
H 4X14 MM x4

11



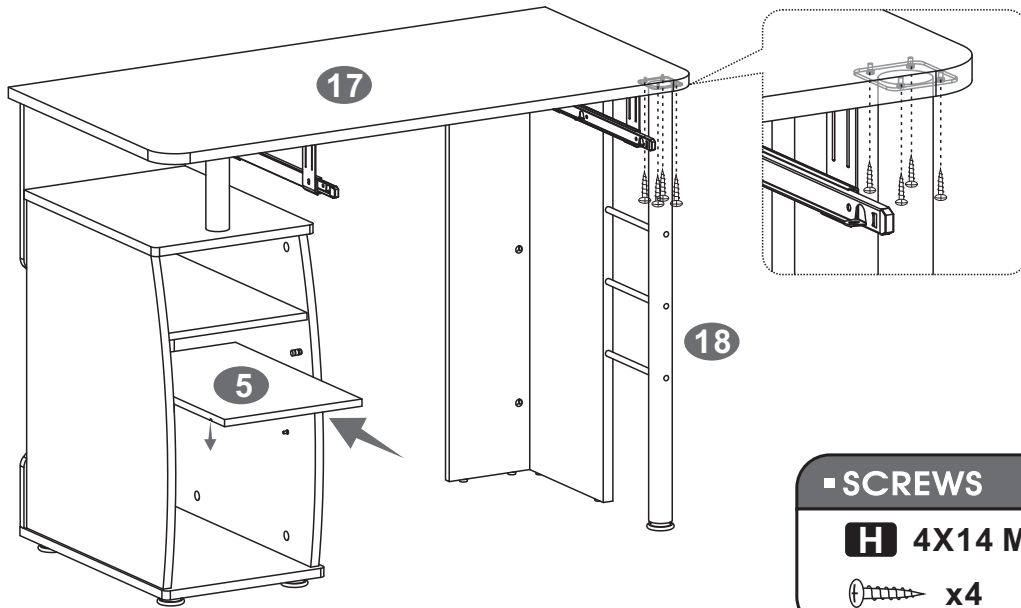
- SCREWS		
A 6X40 MM		
	x2	
B 6X25 MM		
	x4	
C 6X35 MM		
	x1	
L Φ 15 MM		
	x2	
M Φ 12 MM		
	x4	

12



- SCREWS		
D 6X50 MM		
	x3	
F 6X30 MM		
	x3	

13



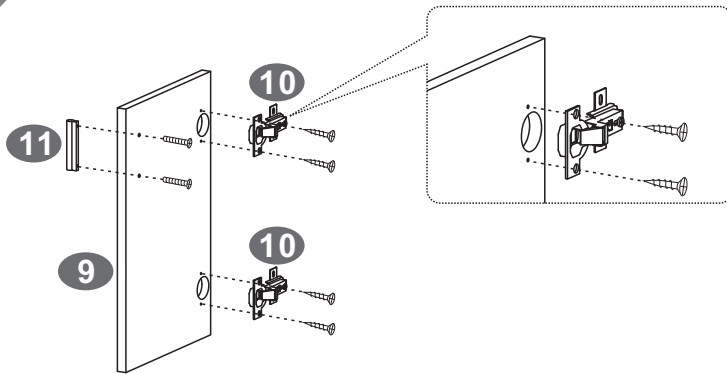
SCREWS

H 4X14 MM

x4



14



SCREWS

I 4X16 MM

x4

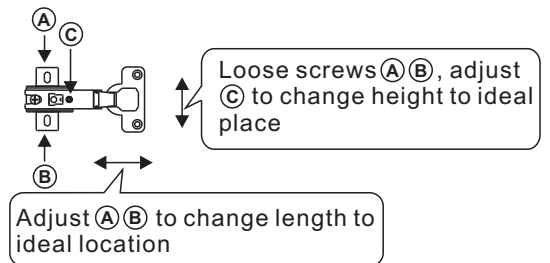
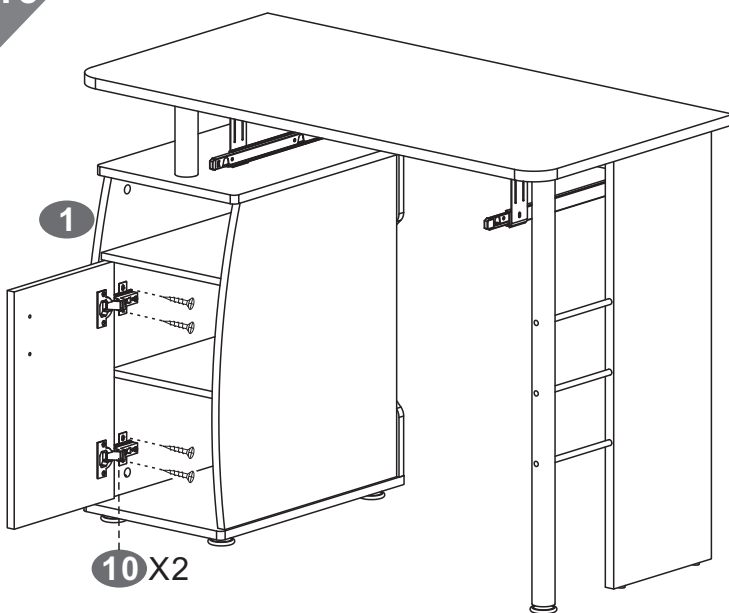


J 4X20 MM

x2



15



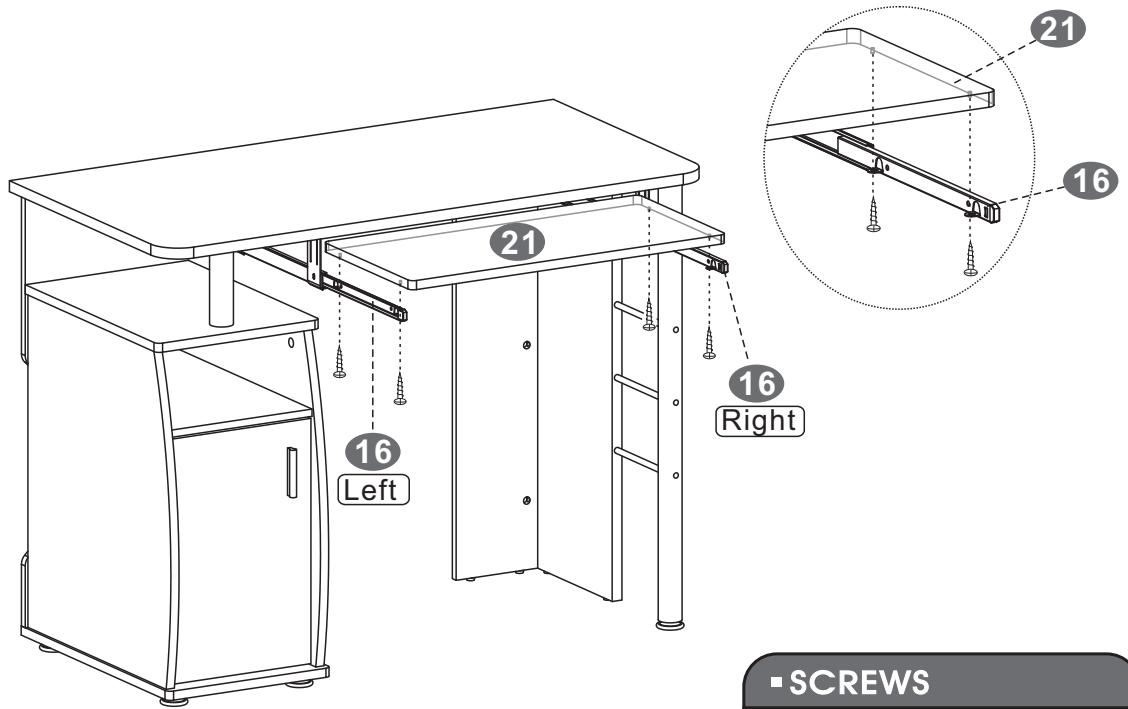
SCREWS

I 4X16 MM

x4



16



- SCREWS

H 4X14 MM

 x4



17

