

TS-WX206A

OUTPUT/SORTIE 150 W MAX.

AMPLIFIED BANDPASS SUBWOOFER SUBWOOFER AMPLIFICATO BANDPASS SUBWOOFER AMPLIFIÉ A BANDE PASSANTE

● CONNECTIONS ● VERBODEN INZICHTEN ● CONNESSIONS ● CONNESSIONI ● CONEXIONES ● 接続 ● 接続方法 ●

Wiring Example 1 (Speaker line input system)
 Esempio di cablaggio 1 (Sistema dell'ingresso della linea degli altoparlanti)
 Ejemplo de cableado 1 (Sistema de entrada de la línea de altavoces)
 Пример подключения 1 (Система ввода сигнала с линии динамиков)
 接続例 1 (スピーカー線入力系)

● Speaker Line Input System ●
 ● Front Speaker ●
 ● Rear Speaker ●
 ● Subwoofer ●

● Power Source ●
 ● Ground ●

● RCA Input ●
 ● RCA Output ●

● Grounding ●
 ● Power Source ●
 ● Ground ●

Wiring Example 2 (RCA input system)
 Esempio di cablaggio 2 (Sistema dell'ingresso RCA)
 Ejemplo de cableado 2 (Sistema de entrada RCA)
 Пример подключения 2 (Система ввода сигнала с RCA входов)

● Speaker Line Input System ●
 ● Front Speaker ●
 ● Rear Speaker ●
 ● Subwoofer ●

● Power Source ●
 ● Ground ●

● RCA Input ●
 ● RCA Output ●

● Grounding ●
 ● Power Source ●
 ● Ground ●

FINAL STEP OF THE INSTALLATION Hook the installation by reconnecting the vehicle's negative (-) battery lead.
ARCHIVIARE PER INSTALLAZIONE The installation is finished. Hook the negative (-) battery lead to the battery.
ETAPES FINALES DE L'INSTALLATION Finissez l'installation en rebranchant le fil négatif (-) de la batterie.
OPERAZIONE FINALE PER L'INSTALLAZIONE Completare l'installazione collegando di nuovo il filo negativo della batteria (-) del veicolo.
PASO FINAL DE LA INSTALACION Termine la instalación reconectando el cable negro, ve (-) de la batería del vehículo.
ETAPA FINAL DA INSTALAZÃO Termine a instalação reconectando o fio de polo negativo (-) da bateria do carro.
ЗАКЛЮЧИТЕЛЬНАЯ СТАДИЯ УСТАНОВКИ Заключите установку, подсоединив отрицательный (-) провод аккумуляторной батареи к отрицательной клемме аккумулятора.
安裝最後步驟 完成安裝後，請將車輛的負極(-)電線重新接回電池。

● SPECIFICATIONS ●
 ● Spécifications ●

Speaker	60mm (2 3/8")
Power	150W (RMS) / 300W (MAX)
Frequency	20Hz - 20kHz
Impedance	4Ω
Dimensions	100mm (H) x 100mm (W) x 100mm (D)
Weight	1.2kg

● TECHNISCHE FINEZIEHETEN ●
 ● Technische Daten ●

Speaker	60mm
Power	150W (RMS) / 300W (MAX)
Frequency	20Hz - 20kHz
Impedance	4Ω
Dimensions	100mm (H) x 100mm (W) x 100mm (D)
Weight	1.2kg

● CARACTERISTIQUES ●
 ● Caractéristiques ●

Speaker	60mm
Power	150W (RMS) / 300W (MAX)
Frequency	20Hz - 20kHz
Impedance	4Ω
Dimensions	100mm (H) x 100mm (W) x 100mm (D)
Weight	1.2kg

● DATI TECNICI ●
 ● Dati tecnici ●

Speaker	60mm
Power	150W (RMS) / 300W (MAX)
Frequency	20Hz - 20kHz
Impedance	4Ω
Dimensions	100mm (H) x 100mm (W) x 100mm (D)
Weight	1.2kg

● ESPECIFICACIONES ●
 ● Especificaciones ●

Speaker	60mm
Power	150W (RMS) / 300W (MAX)
Frequency	20Hz - 20kHz
Impedance	4Ω
Dimensions	100mm (H) x 100mm (W) x 100mm (D)
Weight	1.2kg

● SPECIFICAÇÕES ●
 ● Especificações ●

Speaker	60mm
Power	150W (RMS) / 300W (MAX)
Frequency	20Hz - 20kHz
Impedance	4Ω
Dimensions	100mm (H) x 100mm (W) x 100mm (D)
Weight	1.2kg

● ТЕХНИЧЕСКИЕ ХАРАКТЕРИСТИКИ ●
 ● Технические характеристики ●

Speaker	60mm
Power	150W (RMS) / 300W (MAX)
Frequency	20Hz - 20kHz
Impedance	4Ω
Dimensions	100mm (H) x 100mm (W) x 100mm (D)
Weight	1.2kg

● 規格 ●
 ● Specifications ●

Speaker	60mm
Power	150W (RMS) / 300W (MAX)
Frequency	20Hz - 20kHz
Impedance	4Ω
Dimensions	100mm (H) x 100mm (W) x 100mm (D)
Weight	1.2kg

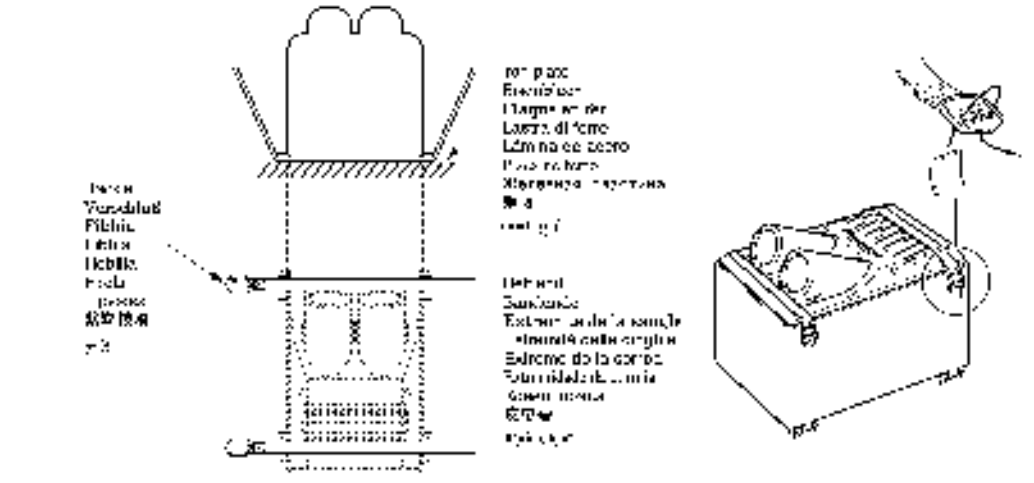
● 仕様 ●
 ● Specifications ●

Speaker	60mm
Power	150W (RMS) / 300W (MAX)
Frequency	20Hz - 20kHz
Impedance	4Ω
Dimensions	100mm (H) x 100mm (W) x 100mm (D)
Weight	1.2kg

● 仕様 ●
 ● Specifications ●

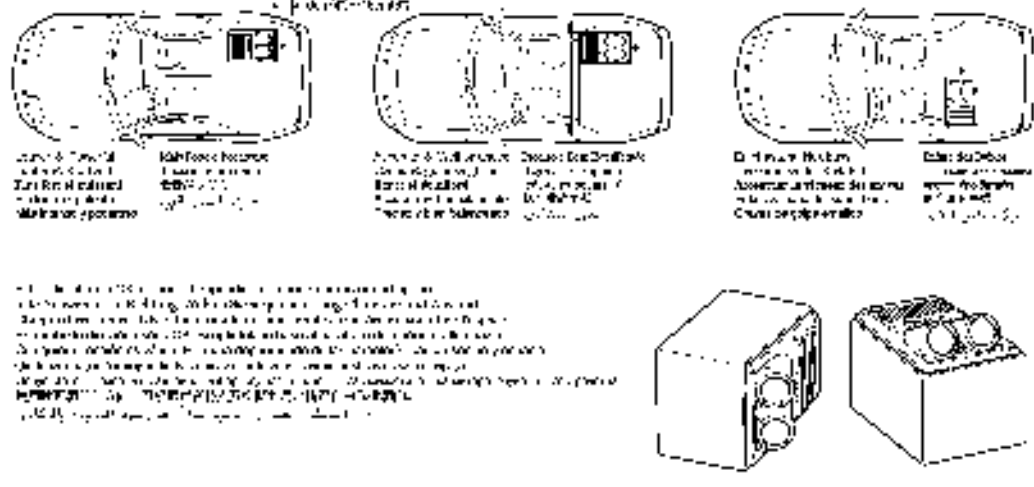
Speaker	60mm
Power	150W (RMS) / 300W (MAX)
Frequency	20Hz - 20kHz
Impedance	4Ω
Dimensions	100mm (H) x 100mm (W) x 100mm (D)
Weight	1.2kg

● HOW TO INSTALL ● RINNAL ● MODE D'INSTALLATION ● MODO DI INSTALLAZIONE ● INSTALACION ● COMO INSTALAR ● КАК ПОДКЛЮЧИТЬ ● 安裝方法 ● 安裝說明 ●



● EXAMPLE OF MOUNTING ● HINWIJS A.M. INBAU ● EXEMPLE DE MONTAGE ● ESEMPIO DI MONTAGGIO ● EJEMPLO DE MONTAJE ● EXEMPLO DE INSTALACIÓN ● ПРИМЕР ПОДКЛЮЧЕНИЯ ● 安裝例 ● 安裝說明 ●

● Mounting ●
 ● Installation ●
 ● Montage ●
 ● Instalación ●
 ● Установка ●
 ● 安裝 ●



● PARTS INCLUDED ● MŰRŐKÖZLETTÉS ZÁRÓRÉSZEI ● PIÈCES COMPOSÉES ● PARTI INCLUDE ● PIEZAS INCLUIDAS ● ПИЕСИ ВКЛЮЧЕННЫЕ ЧАСТИ ● 零件 ● 零件說明 ●

