

COMPUTER DESK

ASSEMBLY INSTRUCTIONS

Thank you for choosing to purchase from Piranha Furniture. We trust everything is as expected, however if there are **ANY** issues at all or you have further questions, please don't hesitate to email us and we will resolve the matter as quickly as possible:

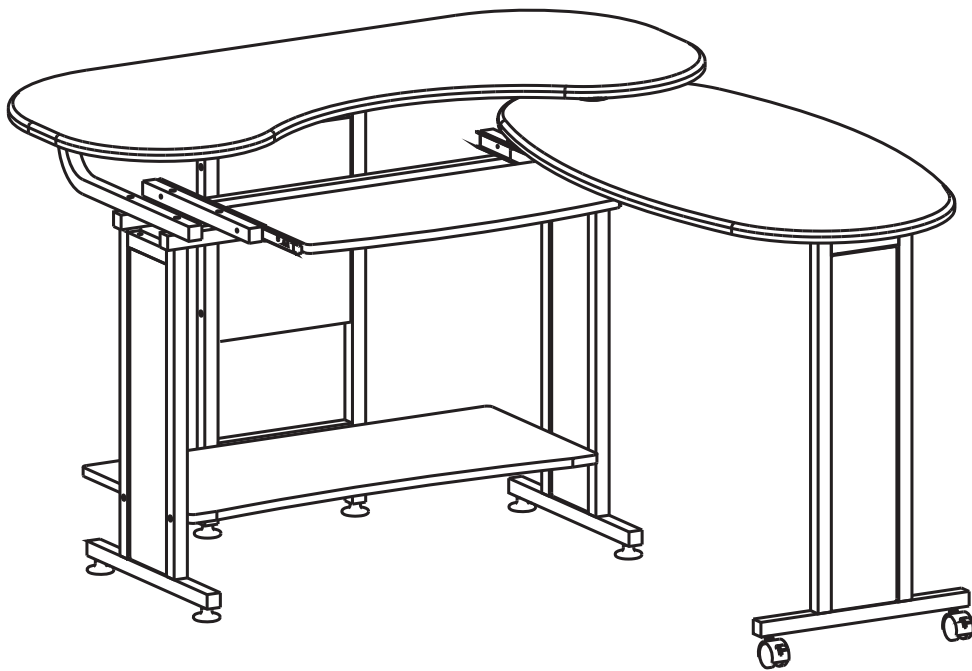
United Kingdom: sales@piranhafurniture.com

Rest of EU: info@piranhaeurope.com

You can contact us through our website www.piranhafurniture.com where you will also find our full range of products.

Please read the assembly instructions carefully before the installation

Retain all packaging as, if required, goods must be returned packed in the original cartons.



MODEL PC3

General Care:

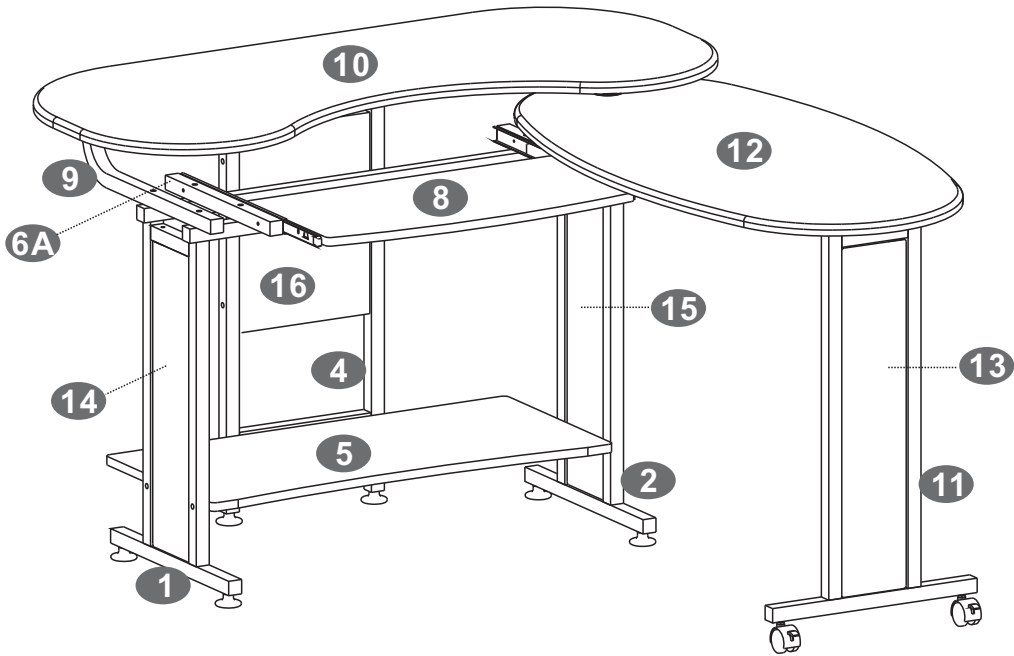
Keep furniture out of direct sunlight. Use mats and coasters to protect surfaces.
Do not place hot or wet items directly onto unprotected surfaces.

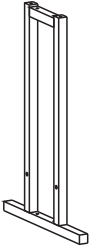
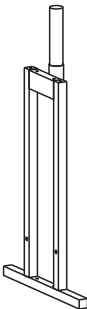
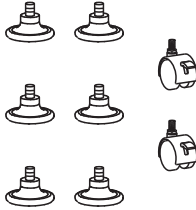
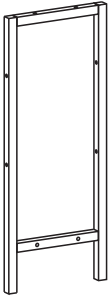


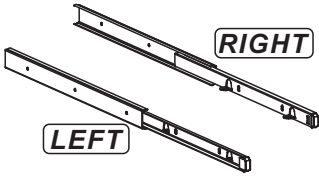

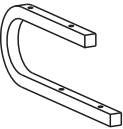

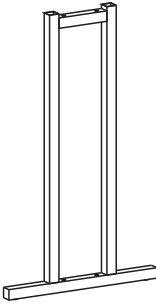
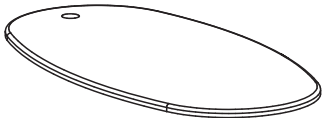
Cleaning:

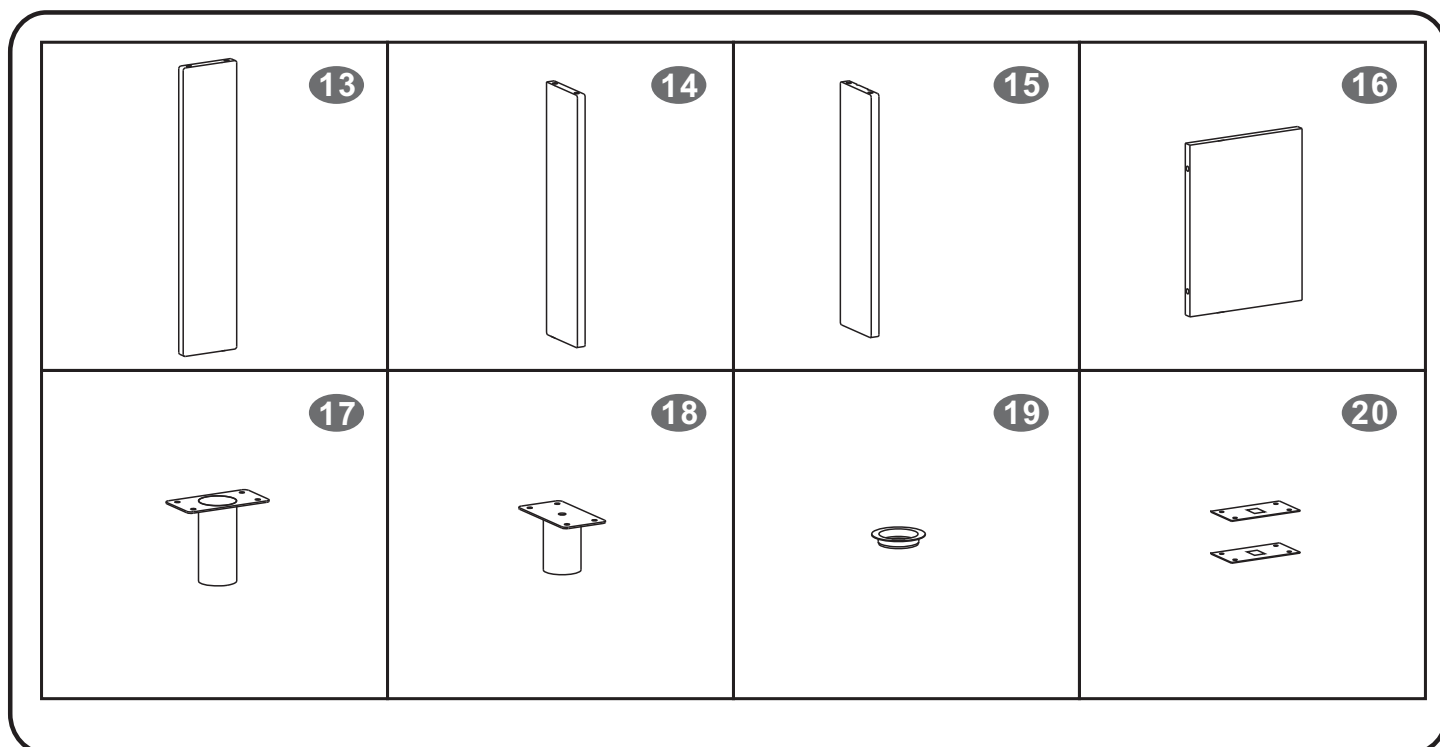
Wipe surfaces with a clean damp (not wet) cloth then dry with a clean lint free cotton cloth.
Glass surfaces may be polished with window or other glass cleaning liquids.



■ PARTS LIST

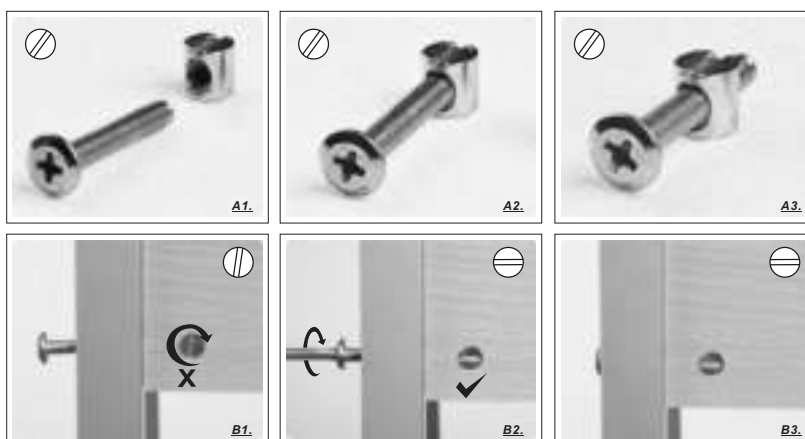


 <p>1</p>	 <p>2</p>	 <p>3</p>	 <p>4</p>
 <p>5</p>	 <p>6A</p>	 <p>7</p>	 <p>8</p>
 <p>9</p>	 <p>10</p>	 <p>11</p>	 <p>12</p>



▪SCREWS LIST

PART	QTY.	ITEM		PART	QTY.	ITEM	
A	4	6X35 MM		G	2	5X70 MM	
B	6	6X50 MM		H	14	5X40 MM	
C	2	6X30 MM		I	2	6X55 MM	
D	4	4X30 MM		J	2	6X20 MM	
E	20	4X14 MM			1		
F	4	6X50 MM			1		





ASSEMBLY STEPS:

1

SCREWS

- H** 5X40 MM 14PCS
- G** 5X70 MM 2PCS

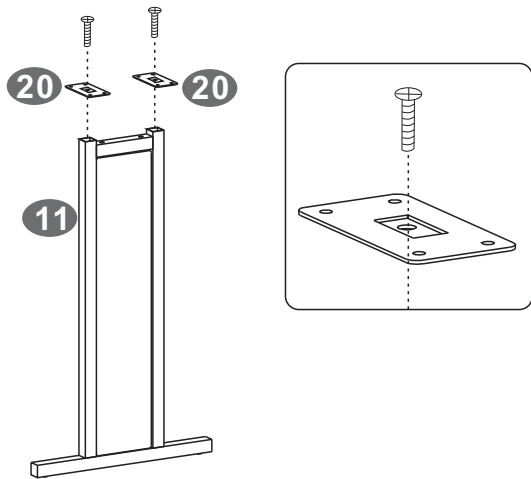
2

3

SCREWS

- D** 4X30 MM 4PCS

4



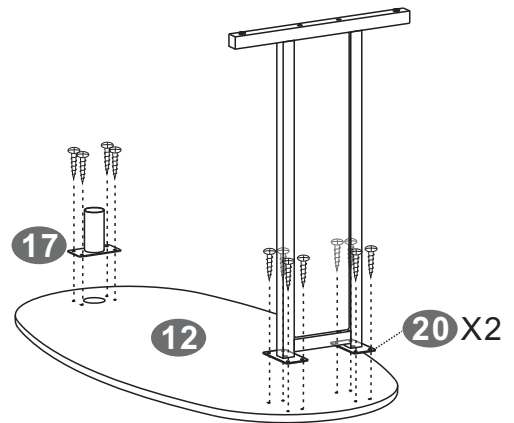
▪ SCREWS

J 6X20 MM

 2PCS



5



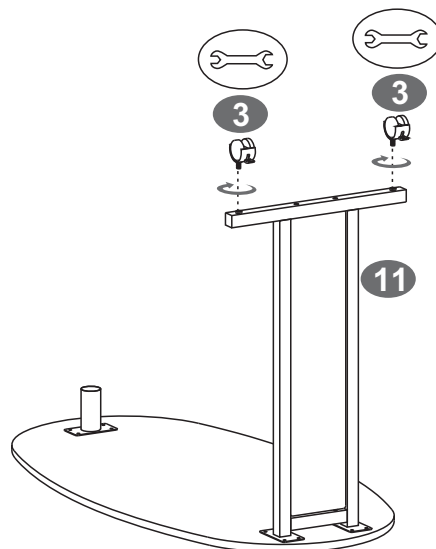
▪ SCREWS

E 4X14 MM

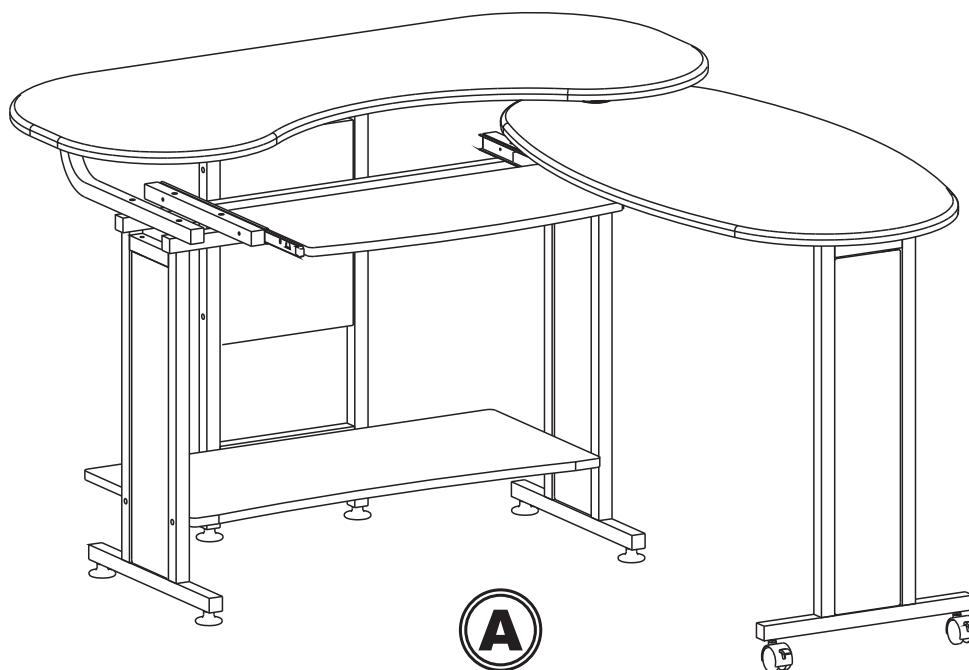
 12PCS



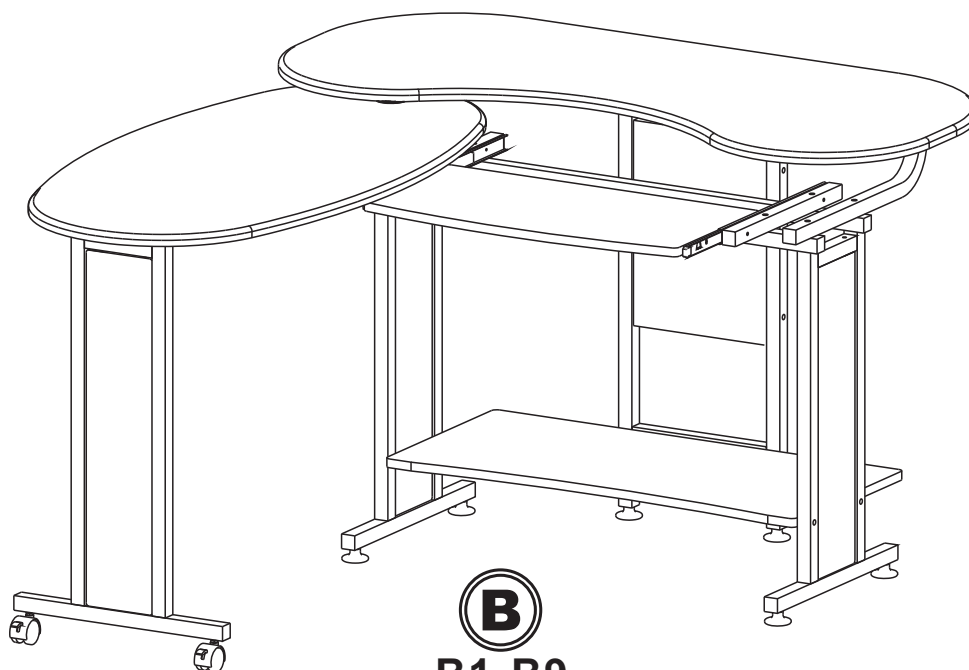
6



**** There are 2 options to assemble our desk, please choose it according to your preference.**

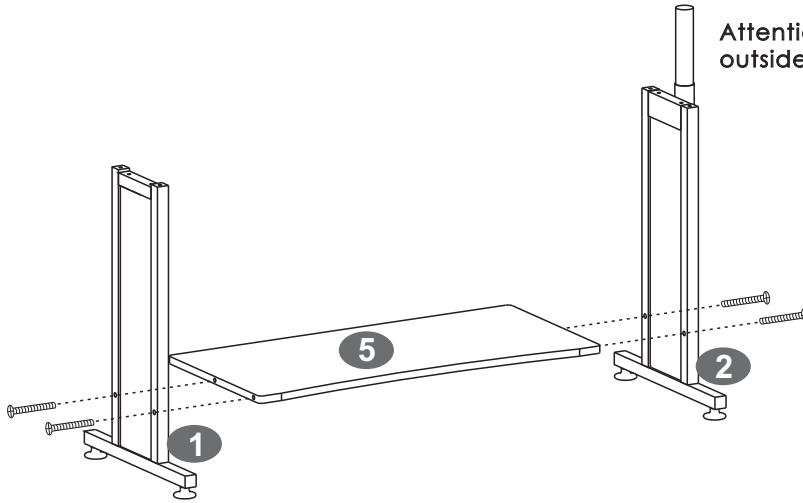


A
A1-A9



B
B1-B9

A1



Attention: The revolving tube must be outside of right leg.

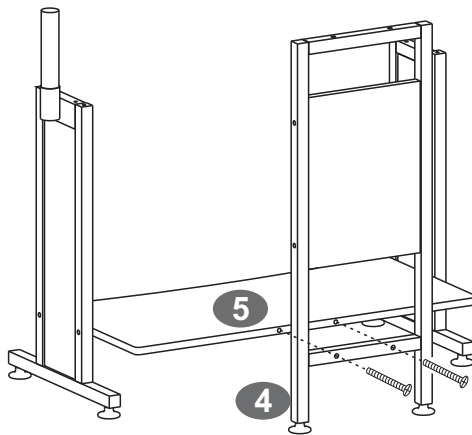
■ SCREWS

B 6X50 MM

 4PCS




A2



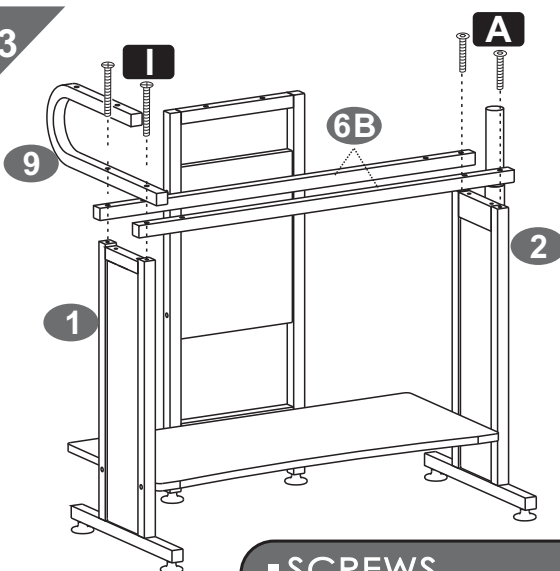
■ SCREWS

B 6X50 MM

 2PCS



A3



■ SCREWS

A 6X35 MM

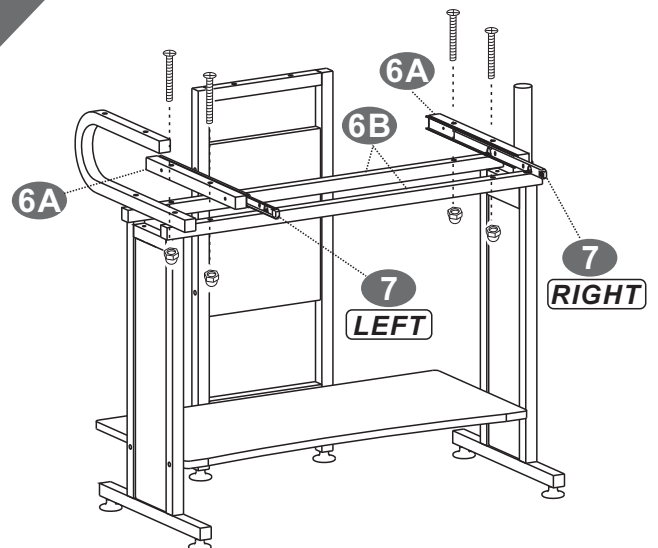
 2PCS

I 6X55 MM

 2PCS



A4



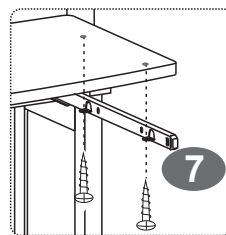
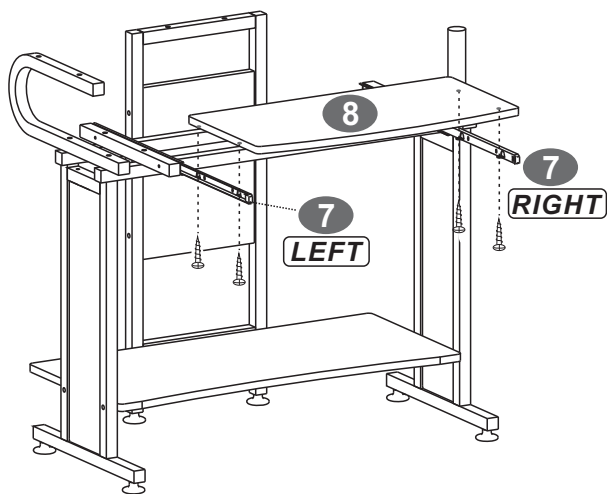
■ SCREWS

F 6X50 MM

  4PCS



A5



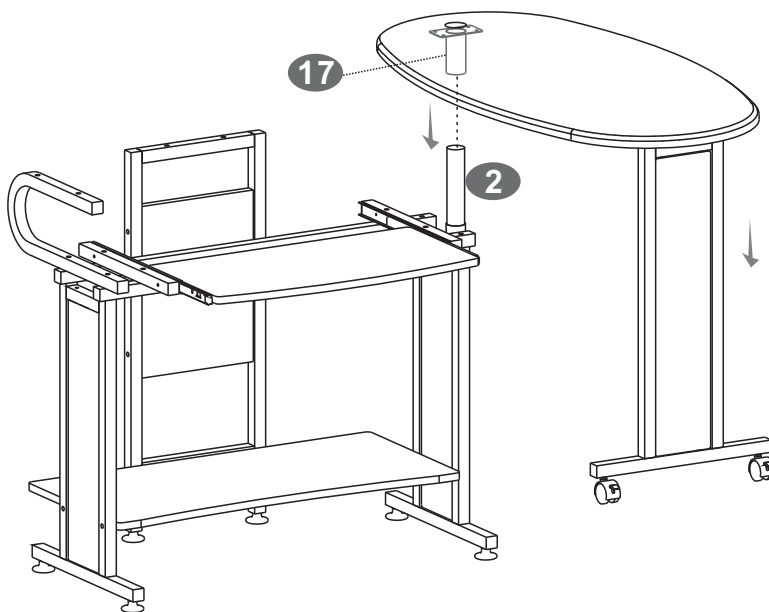
■ SCREWS

E 4X14 MM

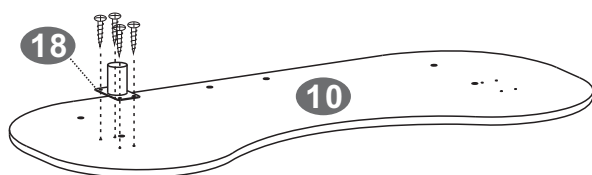
 4PCS



A6



A7



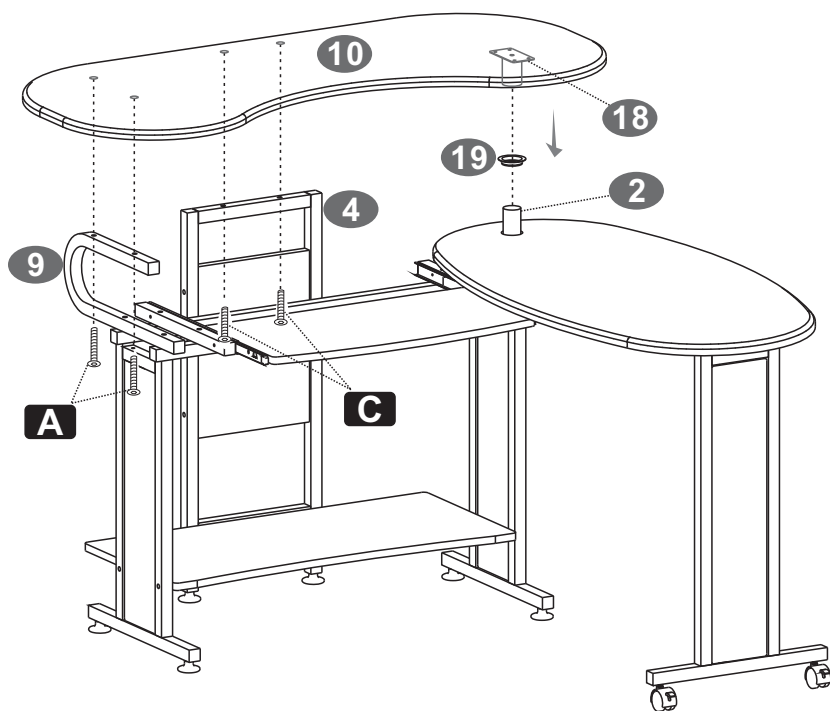
■ SCREWS

E 4X14 MM

 4PCS



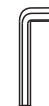
A8



▪ SCREWS

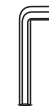
A 6X35 MM

 2PCS

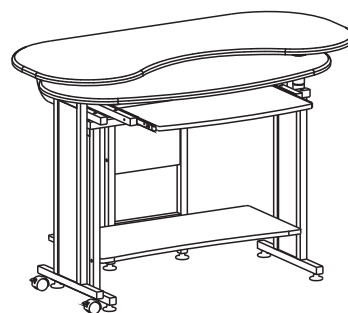
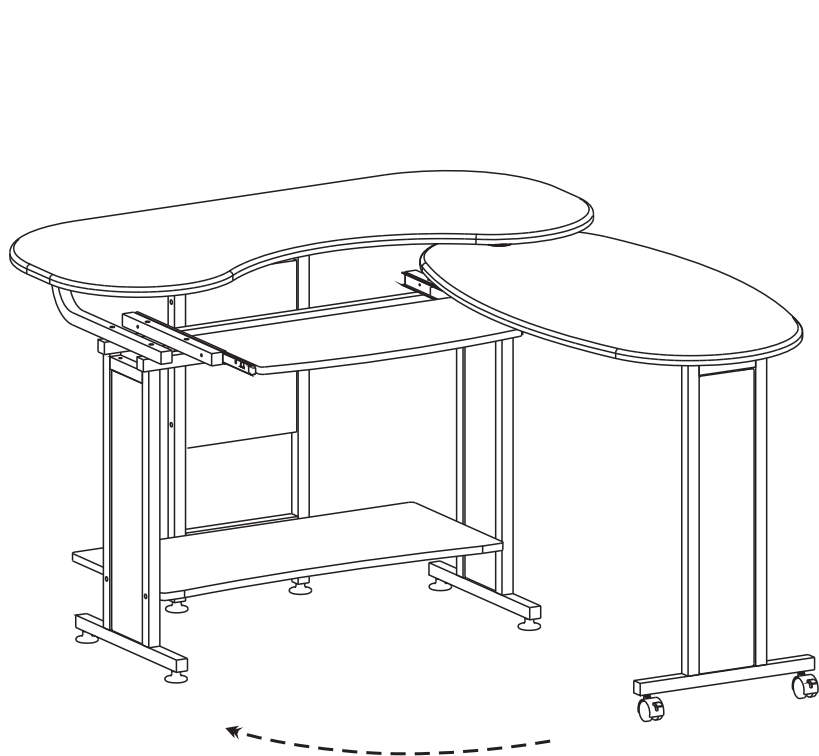


C 6X30 MM

 2PCS

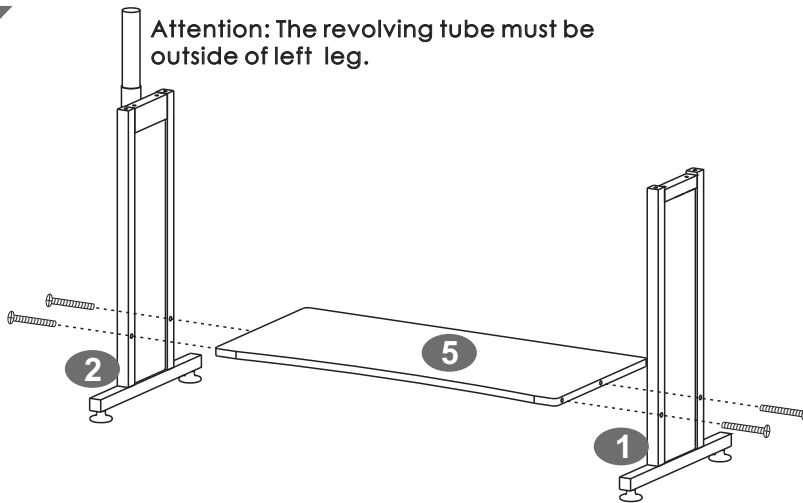


A9



B1

Attention: The revolving tube must be outside of left leg.



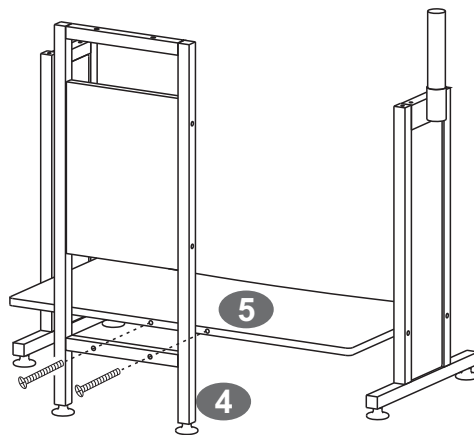
■ SCREWS

B 6X50 MM

 4PCS



B2



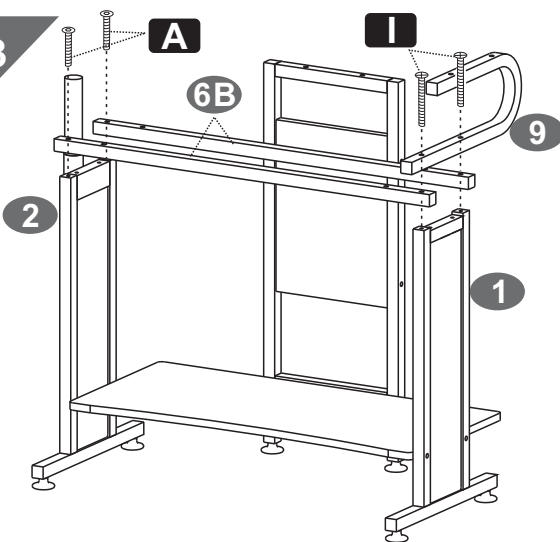
■ SCREWS

B 6X50 MM

 2PCS



B3



■ SCREWS

A 6X35 MM

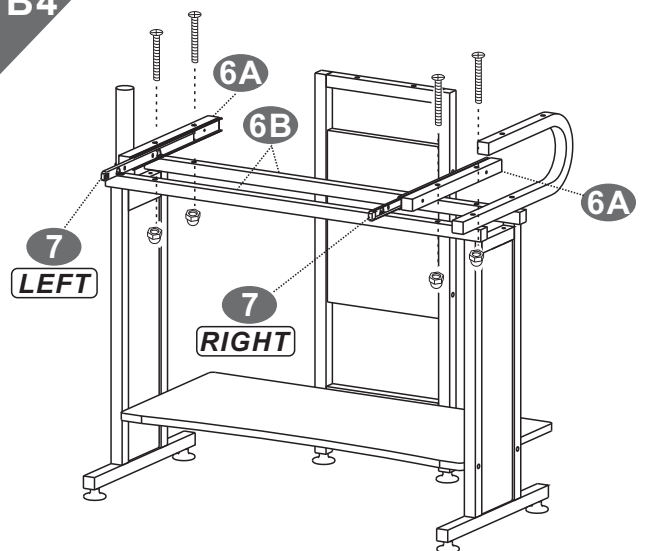
 2PCS

I 6X55 MM

 2PCS



B4



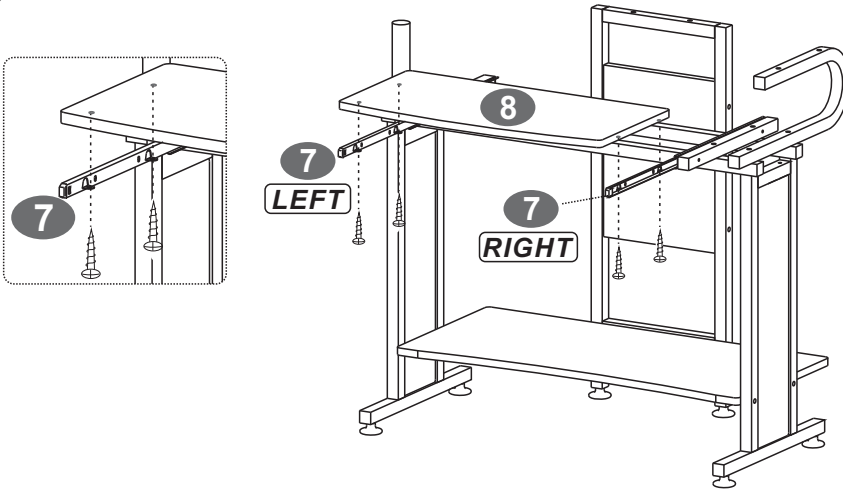
■ SCREWS

F 6X50 MM

  4PCS



B5



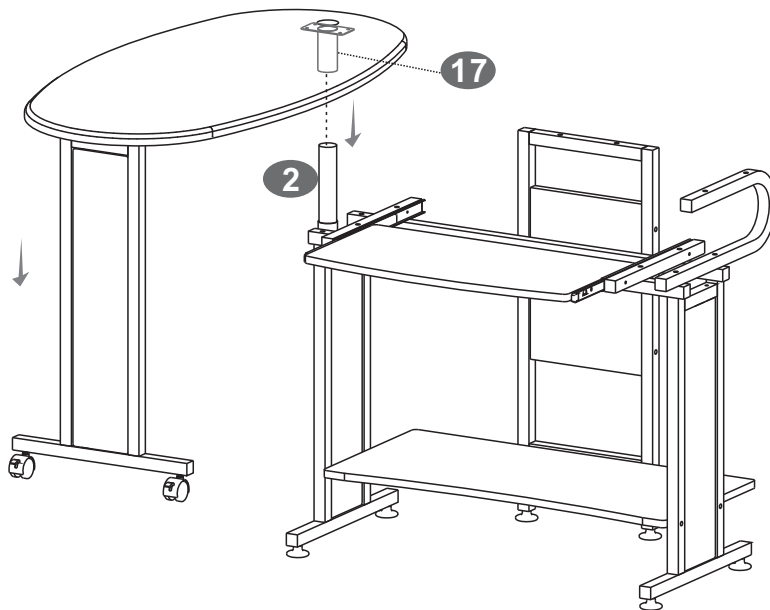
■ SCREWS

E 4X14 MM

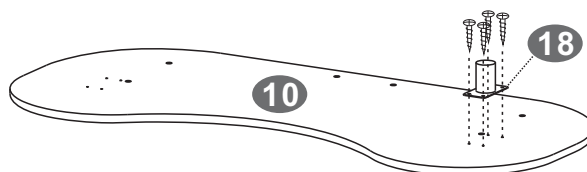
 4PCS



B6



B7



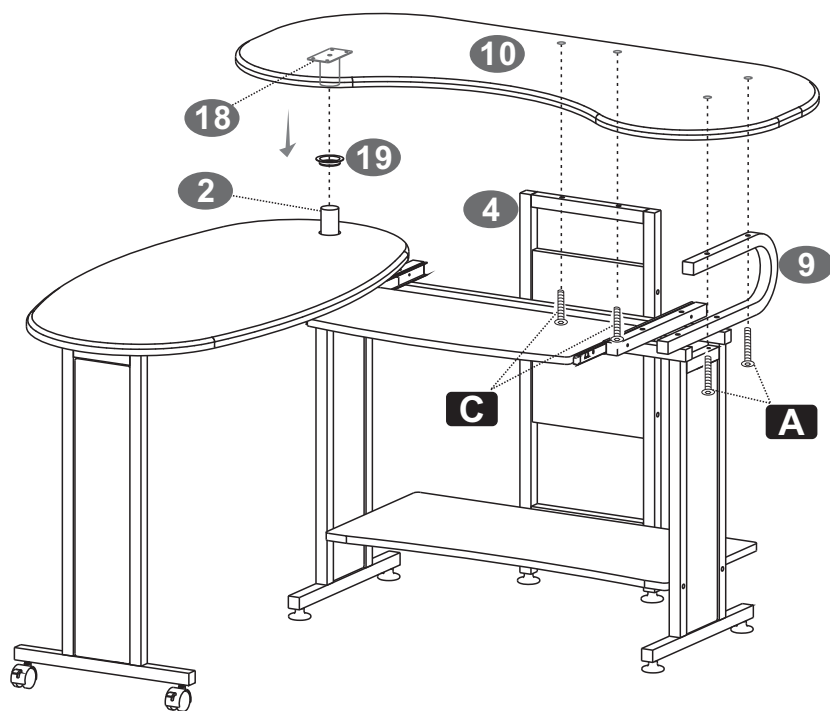
■ SCREWS

E 4X14 MM

 4PCS



B8



SCREWS

A 6X35 MM

2PCS

C 6X30 MM

2PCS

B9

