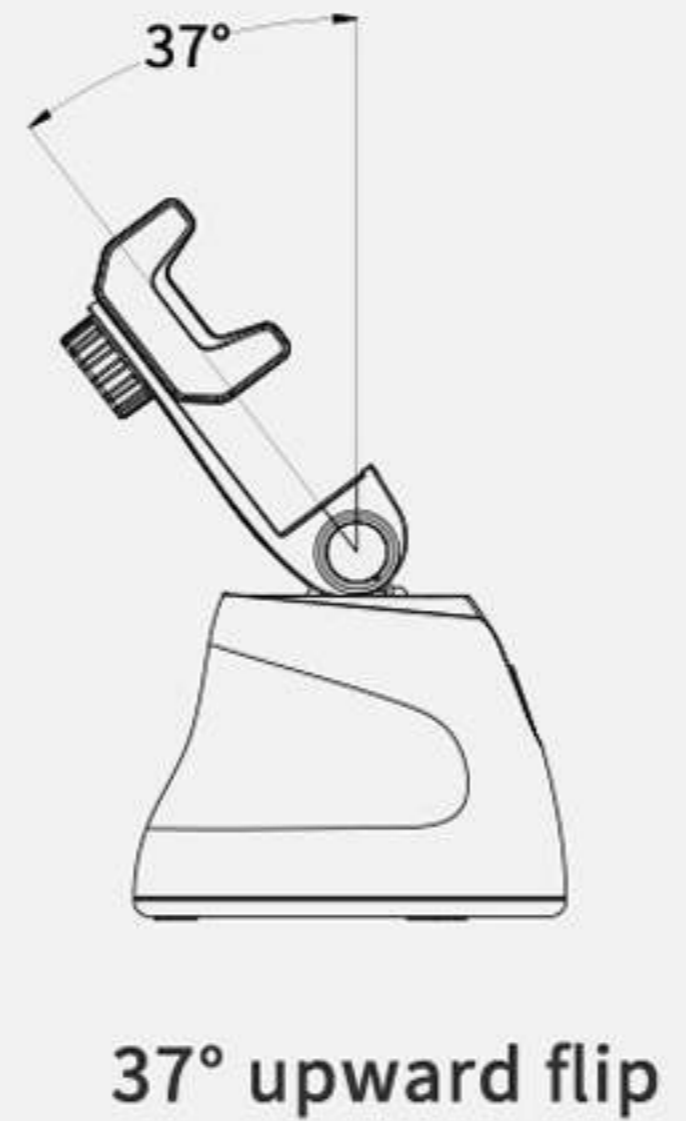
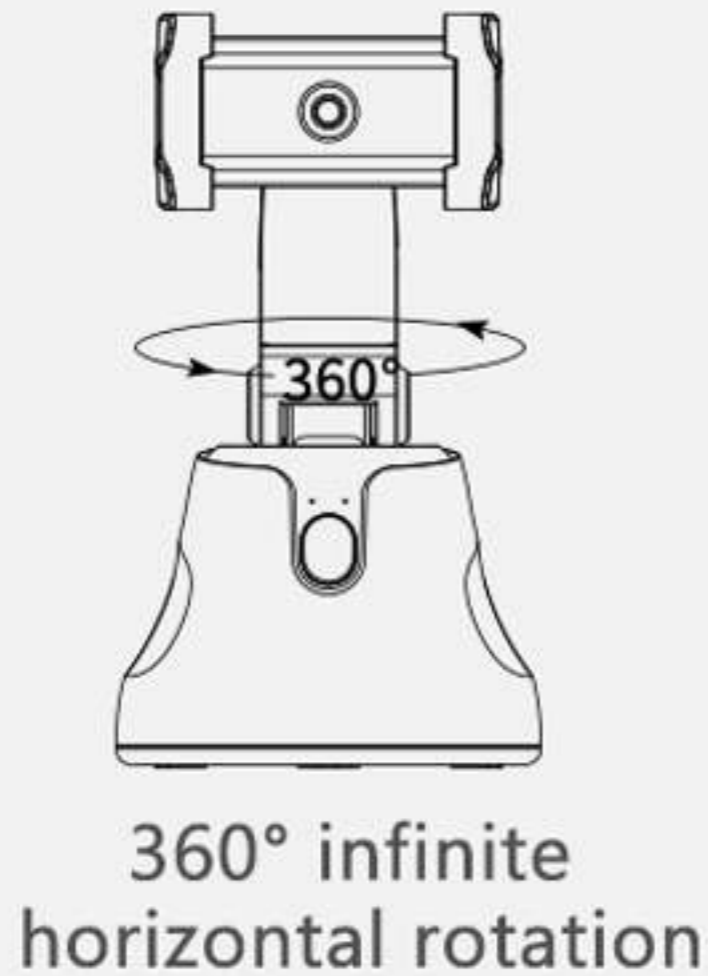
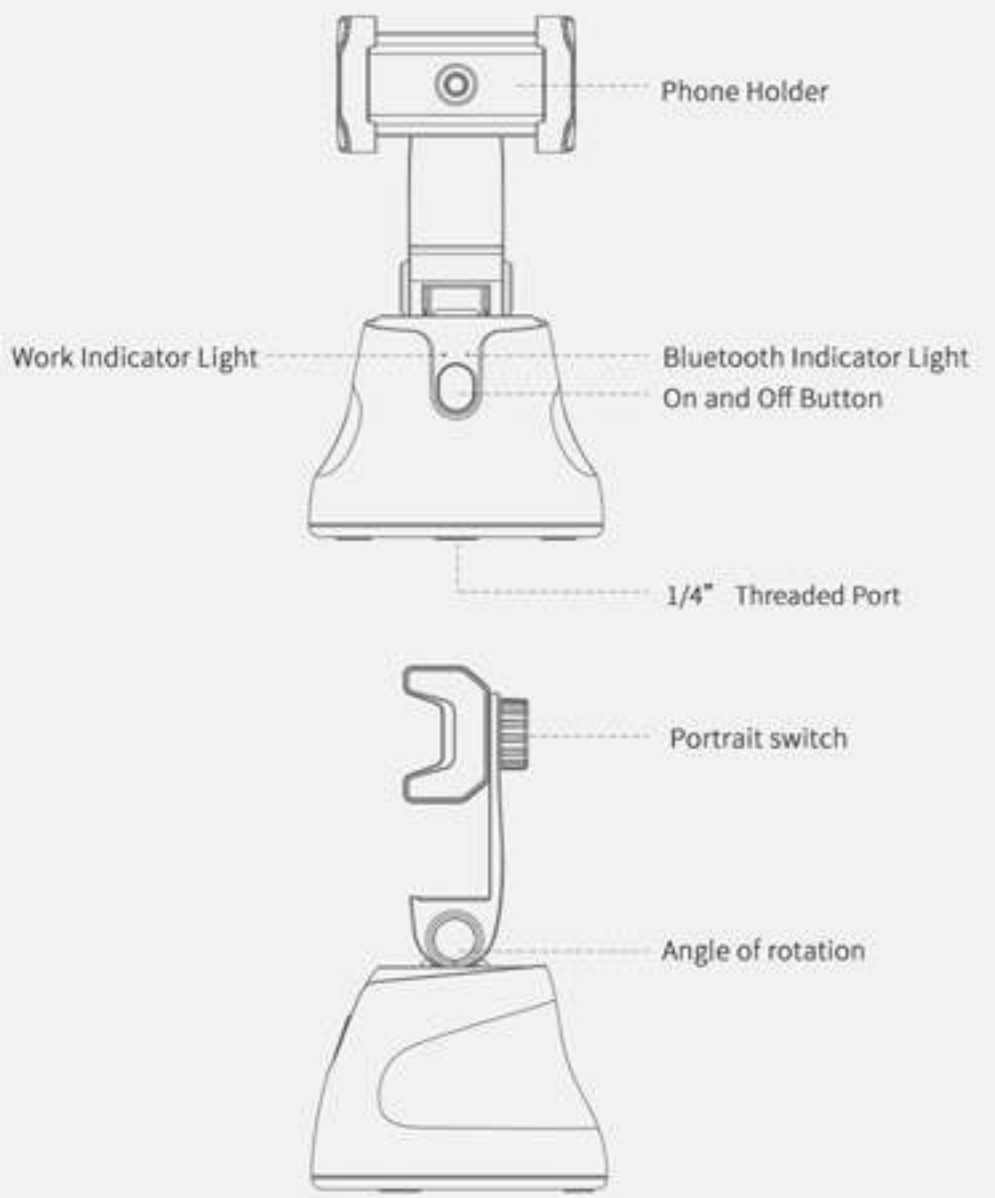


Get to know ApaiGenie



Product Parameters

Product Name	360°object tracking holder
Product Model	Apai Genie
Load	265g
Net Weight	192g
Product Size	93*93*165.4mm (L*W*H)
Phone Size Acceptable	56-100mm
Mechanical Angle	360° infinite horizontal rotation
	37°upward flip
	37° downward flip
Power Supply Mode	Three 1.5v AA size alkaline dry batteries
Continuous working hours	50 hours*